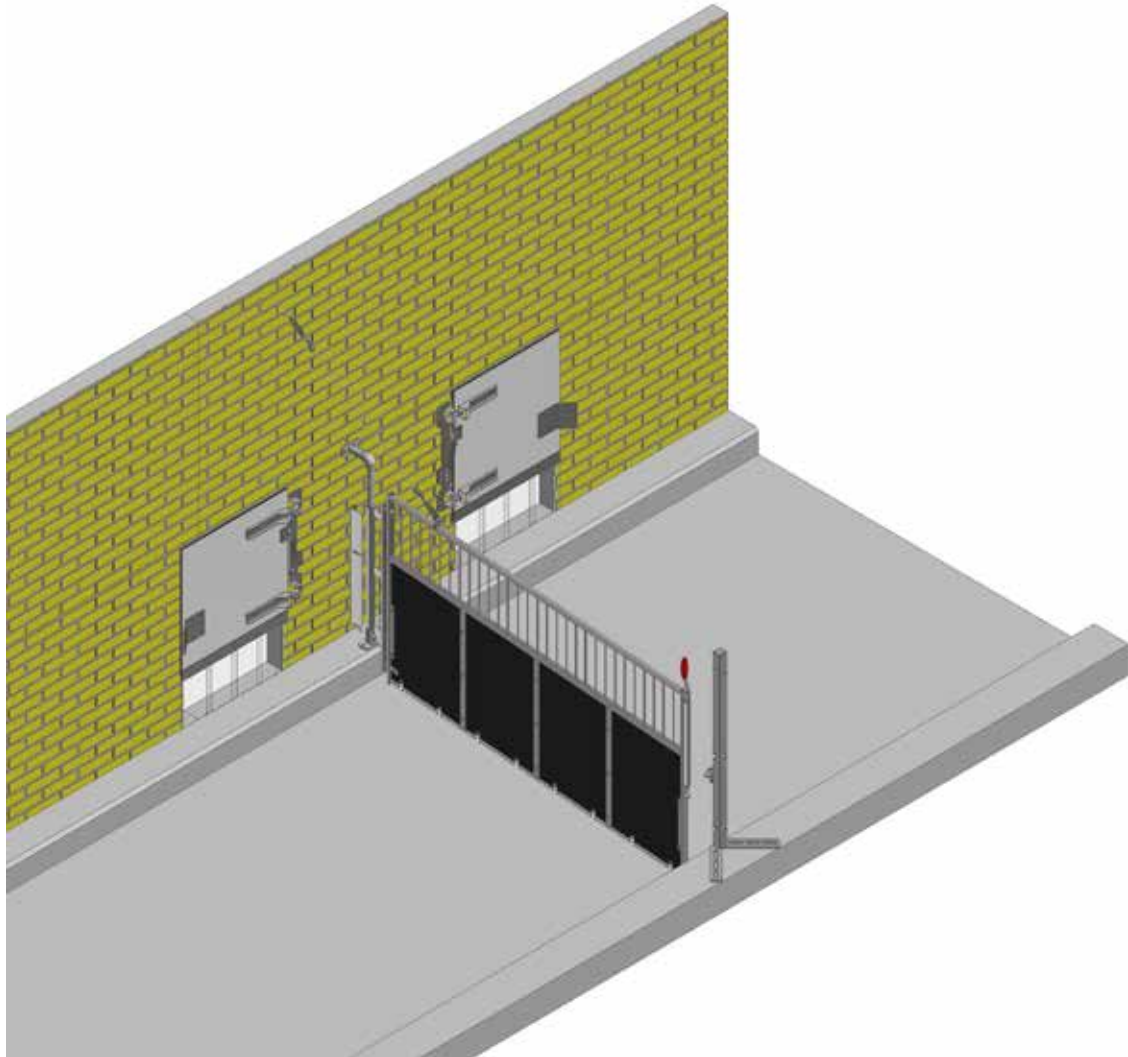


MOUNTING INSTRUCTIONS



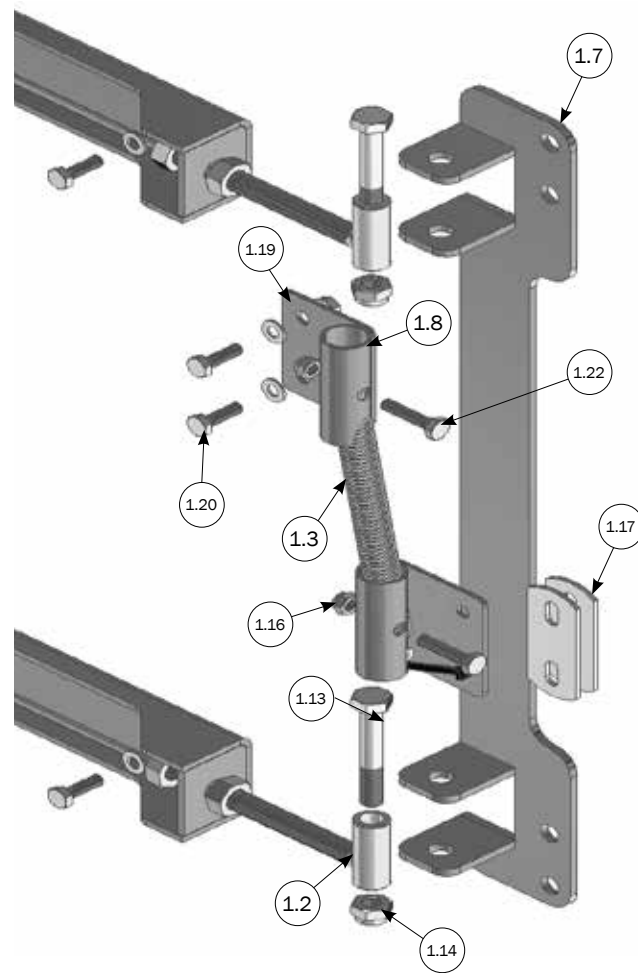
ORGANIC GATE SYSTEM ELEVATION GATE AND SELF CLOSING GATE



ACO FUNKI A/S
Kirkevænget 5
DK-7400 Herning

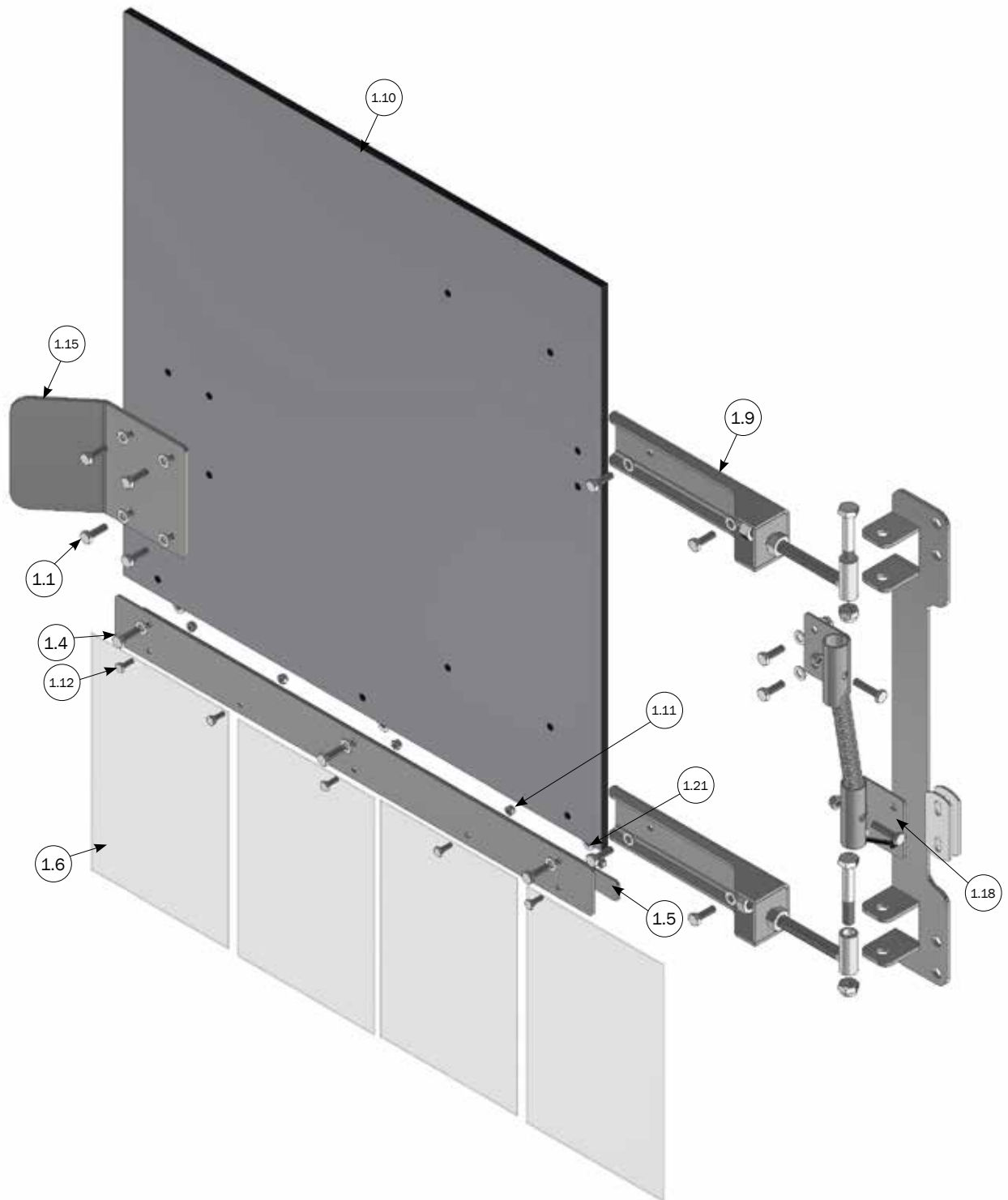
Tel. +45 9711 9600
www.acofunki.com
www.egebjerg.com

SPARE PARTS OVERVIEW FOR SELF CLOSING GATE

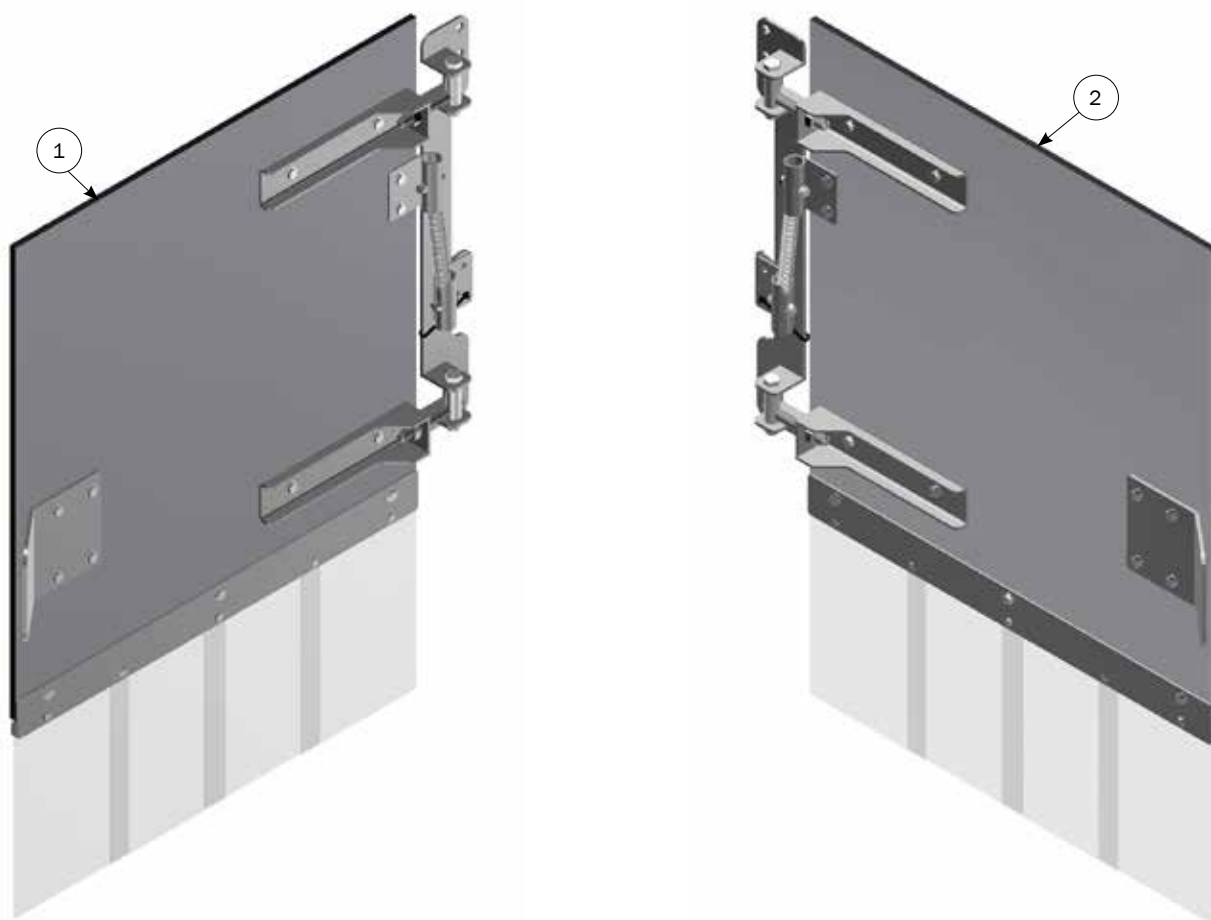


PART LIST

NO.	PCS.	ITEM NO.	DESCRIPTION
1.1	4	68598	NUT 14 MM SS
1.2	2	4550427	INN-O-FLEX STUD BOLT COMPLETE
1.3	1	9929032	TENSION SPRING 3X20X200MM HOT DIP GALVANIZED
1.4	1	2720381	BRACKET 70X6 CM CURTIN-PLATE FOR SELF CLOSING GATE
1.5	1	2720382	BRACKET 70X2,5 CM CURTIN-PLATE FOR SELF CLOSING GATE
1.6	4	2710383	PVC PIECE 200X300 MM FOR CURTAIN SELF CLOSING GATE
1.7	1	2720384	HANGER BRACKET FOR SELF CLOSING GATE
1.8	2	2720386	SPRING LOCK FOR SELF CLOSING GATE
1.9	2	2720391	HANGER FOR SELF CLOSING GATE
1.10	1	2760393	PLATE H70 FOR SELF CLOSING GATE
1.11	5	33596010	LOCK NUT M6 A2 DIN 985
1.12	5	30306016	SET SCREW M6X16 A2 DIN 933
1.13	2	32312075	MACHINE SCREW M12X75 A2 DIN 931
1.14	2	33912000	LOCK NUT M12 A2 DIN 985
1.15	1	2720392	OPENING BRACKET FOR SELF CLOSING GATE
1.16	2	33908001	LOCK NUT M8 A2 DIN 985
1.17	2	30902	ASSEMBLY BRACKET FLAT IRON, SMALL
1.18	1	76200023	CABLE TIE 290X4,5 MM BLACK
1.19	13	35600037	FLAT WASHER Ø8X8,4/16/1,6 A2 DIN 125 A
1.20	13	30308025	SET SCREW M8X25 A2 DIN 933
1.21	13	68552	M8 FLANGE NUT DIN 6923 A2
1.22	2	30308035	SET SCREW M8X35 A2 DIN 933

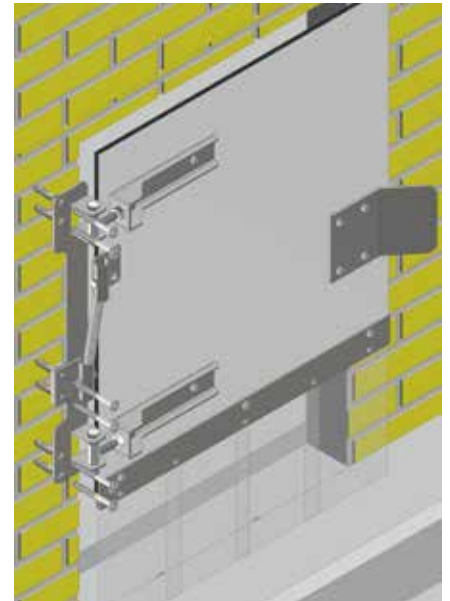
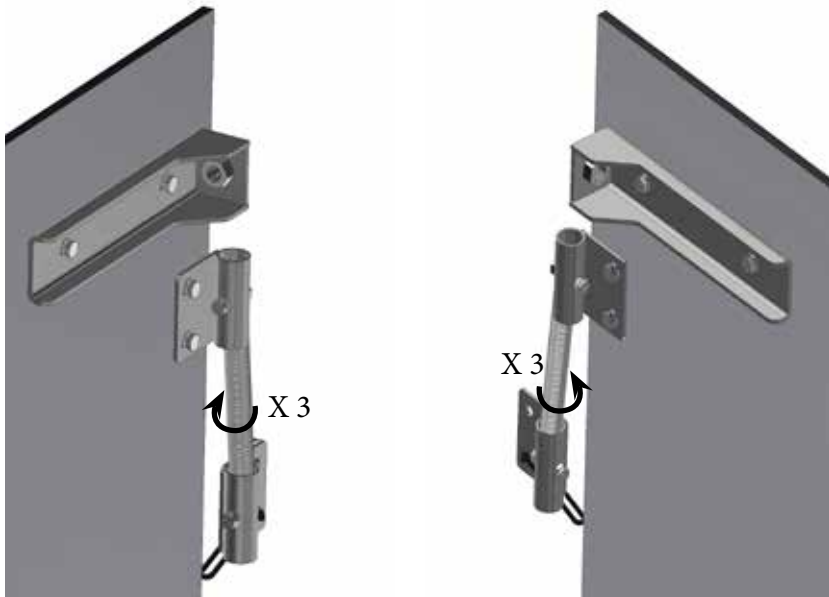
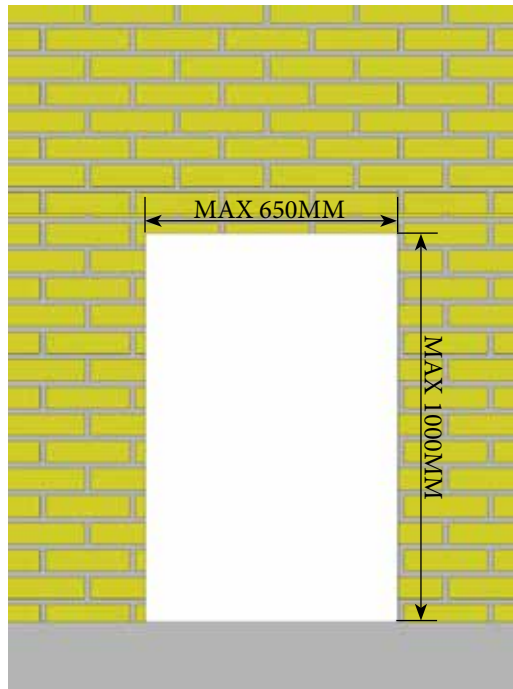


OVERVIEW

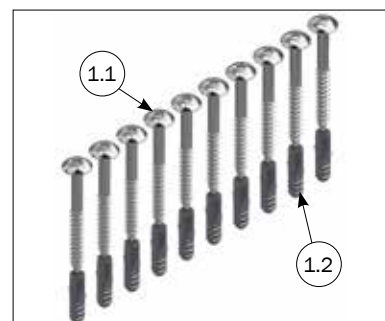


PART LIST		
NO.	ITEM NO.	DESCRIPTION
1	2710379	LEFT SELF CLOSING GATE 40X101,5 CM
2	2710380	RIGHT SELF CLOSING GATE 40X101,5 CM

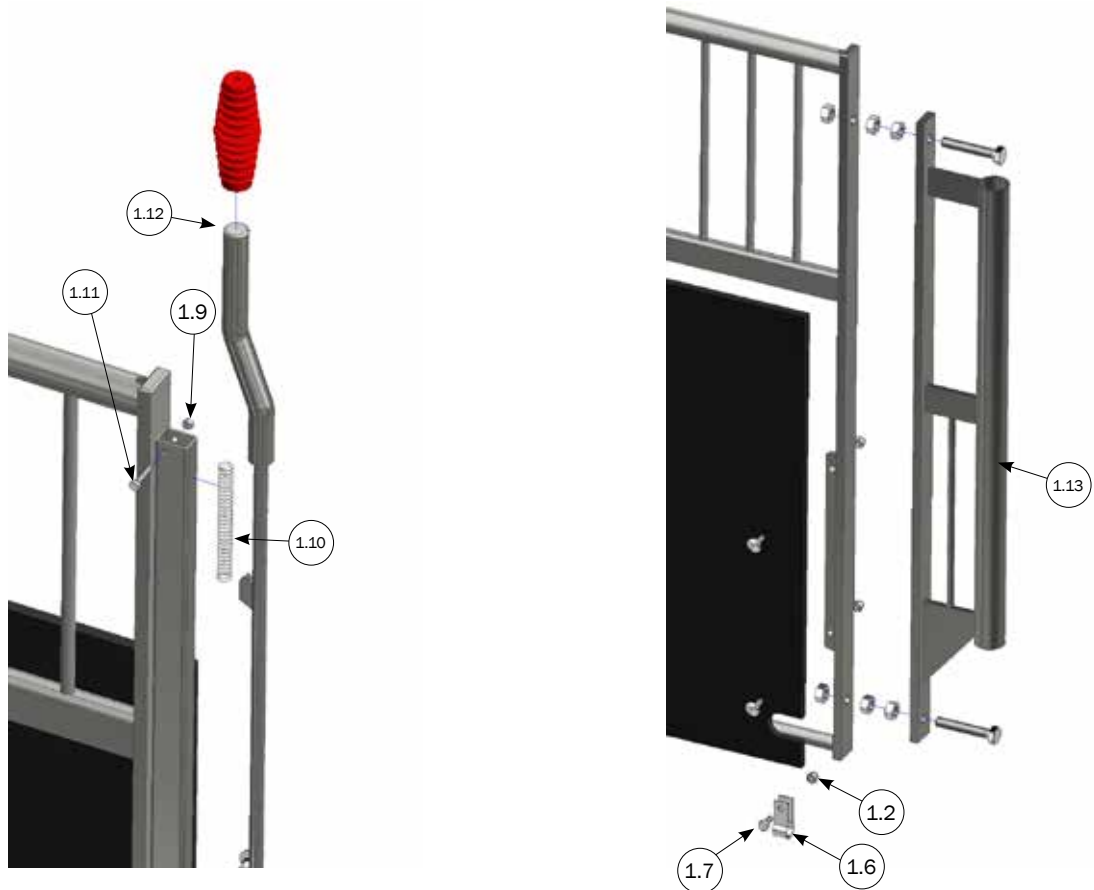
MOUNTING OF SELF CLOSING GATE



PART LIST			
NO.	PCS.	ITEM NO.	DESCRIPTION
1	1	4800010	10 PCS. SS BUTTON HEAD SCREWS 10X70 + WALL PLUG
1.1	6 (10)	67444	10 X 70 BUTTON HEAD TORX 50 STAINLESS STEEL
1.2	6 (10)	39900001	WALL PLUG 12X60 MM

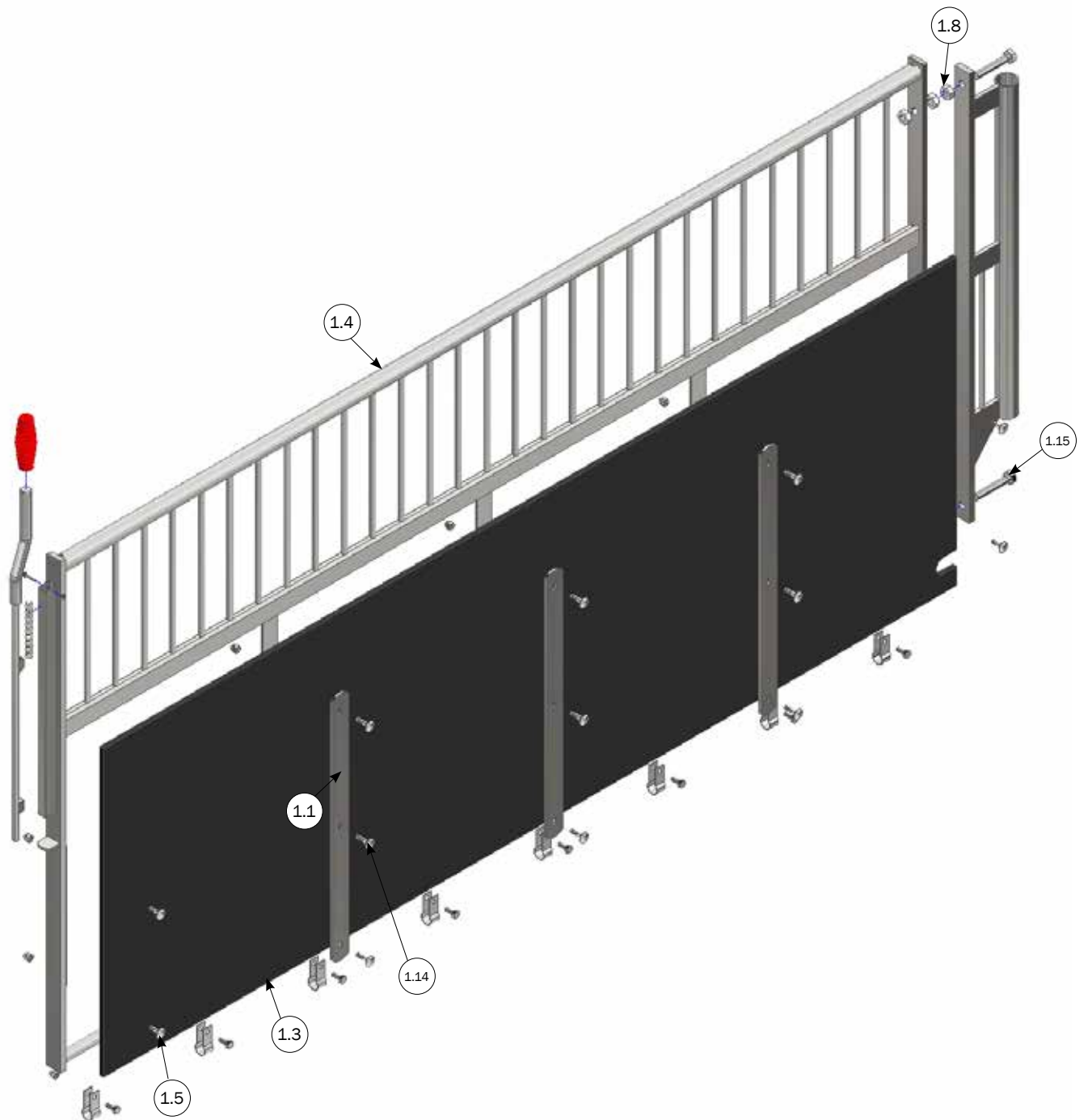


SPARE PART OVERVIEW FOR ELEVATION GATE

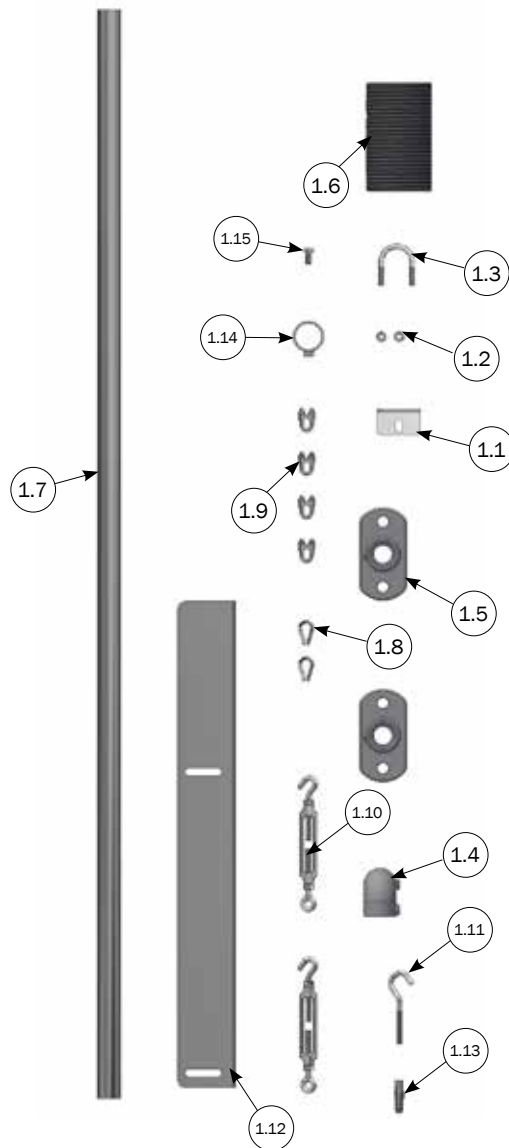


PART LIST

NO.	PCS.	ITEM NO.	DESCRIPTION
1.1	3	4920410	BACKSTOP H560
1.2	21	33208001	CAP NUT M8 A2 DIN 1587
1.3	1	8460556	PLATE 10 MM H690 L1700-2400 MM ELEVATION GATE
1.4	1	2720385	GATE 170-240 CM FOR ELEVATIONSYSTEM
1.5	4	36308025	MUSHROOMHEADED BOLT M8X25 A2 DN 603
1.6	8	97079	U-BRACKET RECO PLATE
1.7	8	30308020	SET SCREW M8X20 A2 DIN 933
1.8	6	68598	NUT 14 MM SS
1.9	1	33905000	LOCK NUT M5 A2 DIN 985
1.10	1	9929004	COMPRESSION SPRING 1,6X12X115 MM
1.11	1	30305025	SET SCREW M5X25 A2 DIN 933
1.12	1	4105183	PIN LOCK FOR GATE INCL. GRIP
1.13	1	2720389	ELEVATION BRACKET FOR ELEVATION GATE
1.14	9	36308030	MUSHROOMHEADED BOLT M8X30 A2 DIN 603
1.15	2	30314080	SET SCREW M14X75 A2 DIN 933

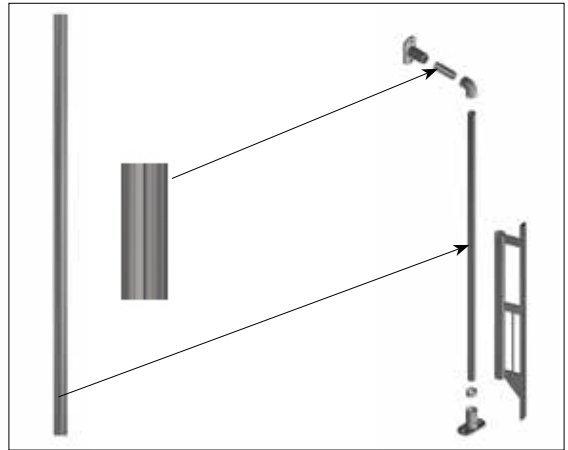


SPARE PART OVERVIEW FOR ELEVATION GATE

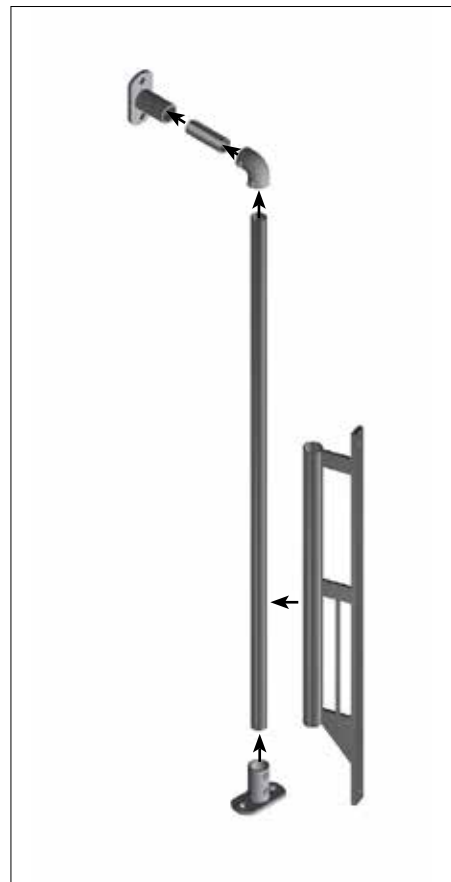
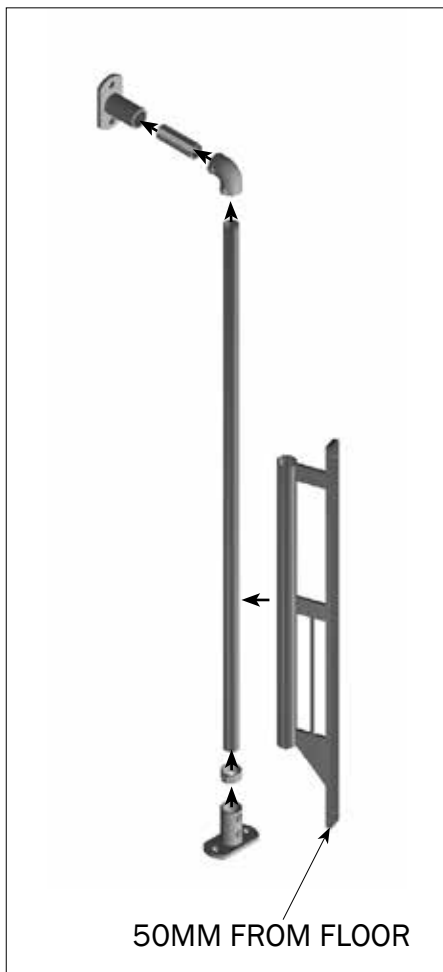


PART LIST			
NO.	PCS.	ITEM NO.	DESCRIPTION
1.1	1	30898	ANGLE BRACKET FOR TOPBAR SMALL
1.2	2	33908001	LOCK NUT M8 A2 DIN 985
1.3	1	90100062	U-BOLT 1' STAINLESS
1.4	1	2010703	1' TUBE FITTINGS 90 DEGREES
1.5	2	2010701	1' TUBE FITTINGS W/BASE PLATE/ WALL AND BOARDPROFILE
1.6	1	92536	WIRE 4 MM 7 X 19 SS 2 METERS
1.7	1	2710390	1' GALVANIZED PIPE L1500 MM FOR ELEVATION SYSTEM
1.8	2	39402500	THIMBLE 4 MM
1.9	4	0591-174	4 MM WIRE LOCK, STAINLESS STEEL
1.10	2	0591-171	TURN BUCKLE 8 MM ST
1.11	1	39900180	HOOK 110MM, EL-Z
1.12	1	29780	INN-O-FLEX TUBE-O-MAT® BRACKET POST
1.13	1	39900001	WALL PLUG 12X60 MM
1.14	1	4620015	LOCKING RING FOR 1' PIPE
1.15	1	30308016	SET SCREW M8X16 A2 DIN 933

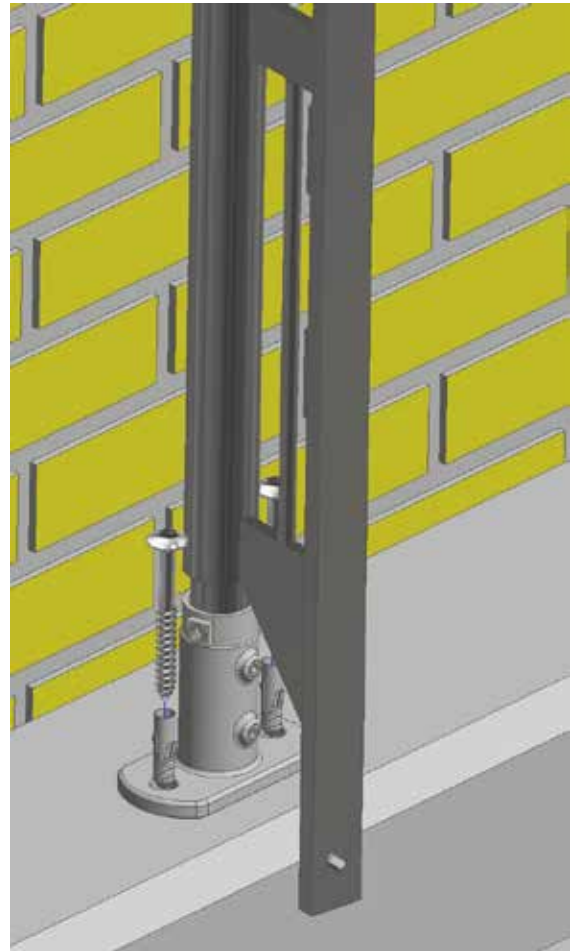
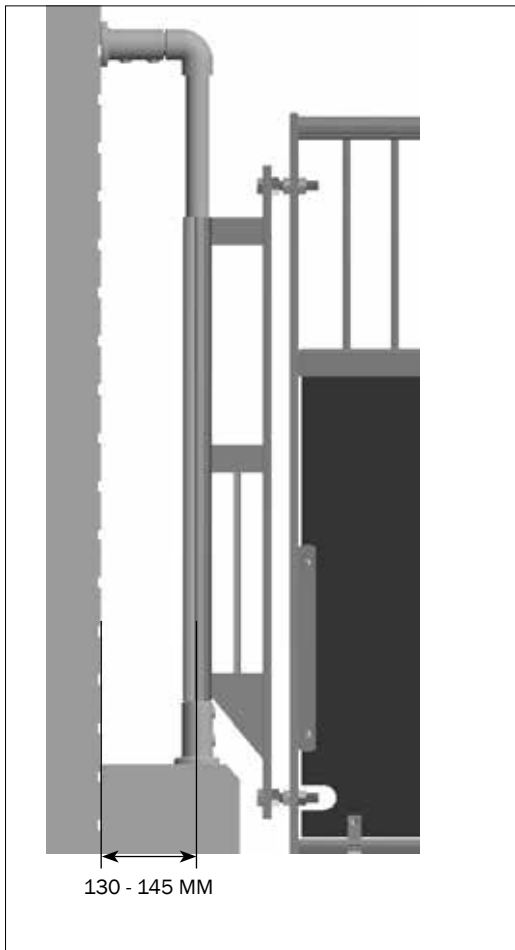
ADJUSTING PIPE FOR ELEVATION POST



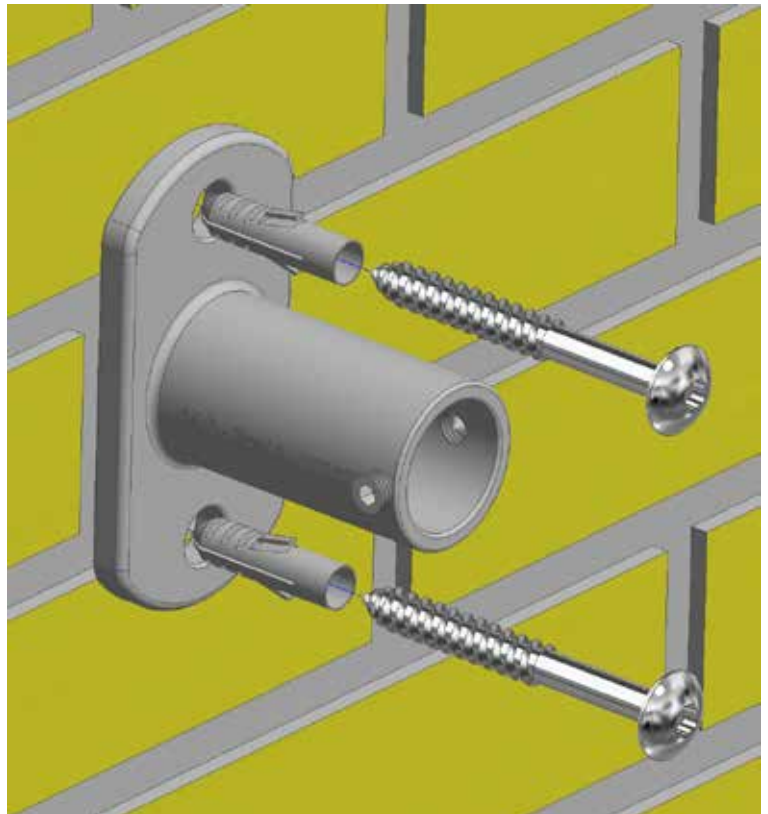
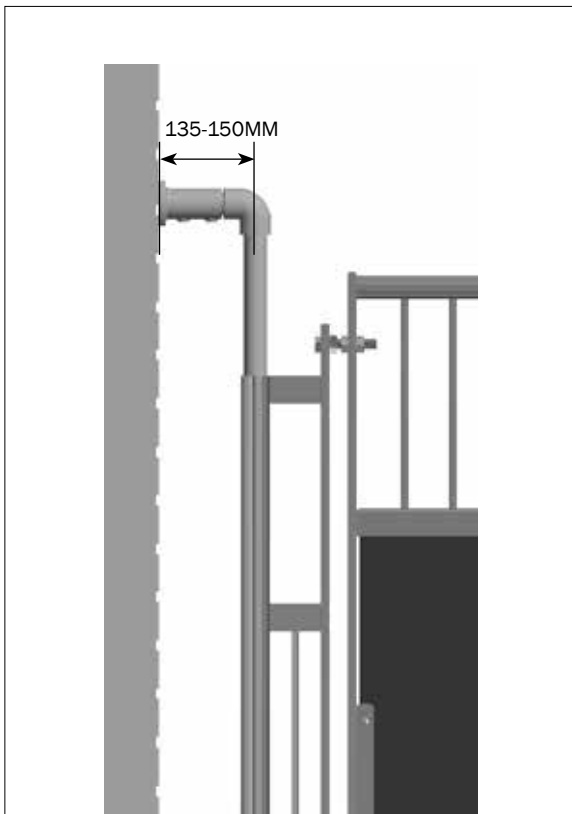
ASSEMBLY OF ELEVATION POST



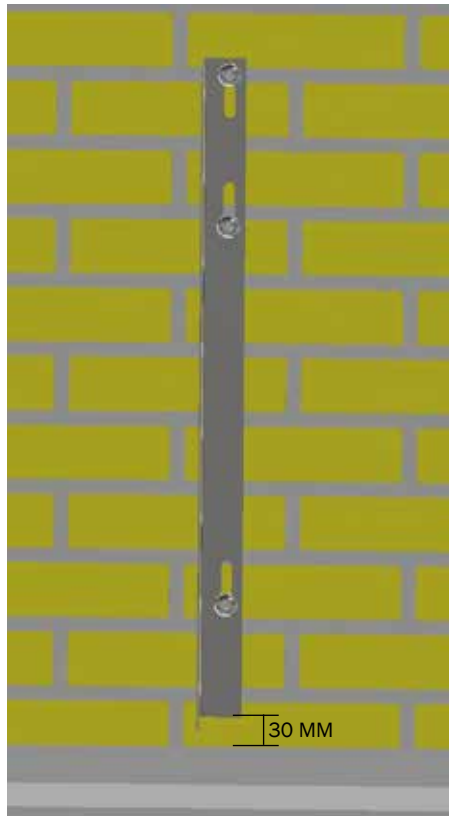
MOUNTING OF ELEVATION POST ON FLOOR



MOUNTING OF ELEVATION POST ON WALL



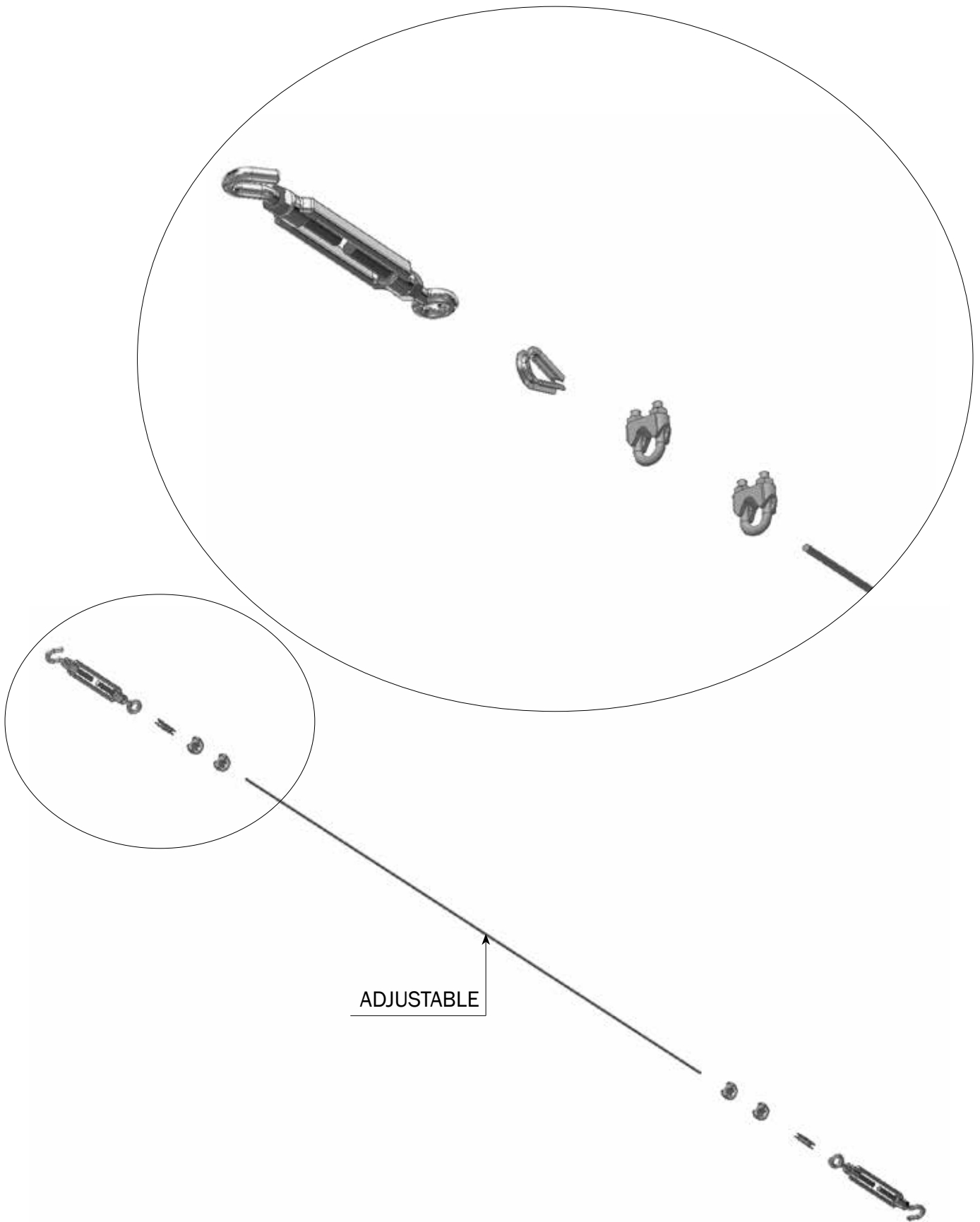
MOUNTING OF BRACKET POST



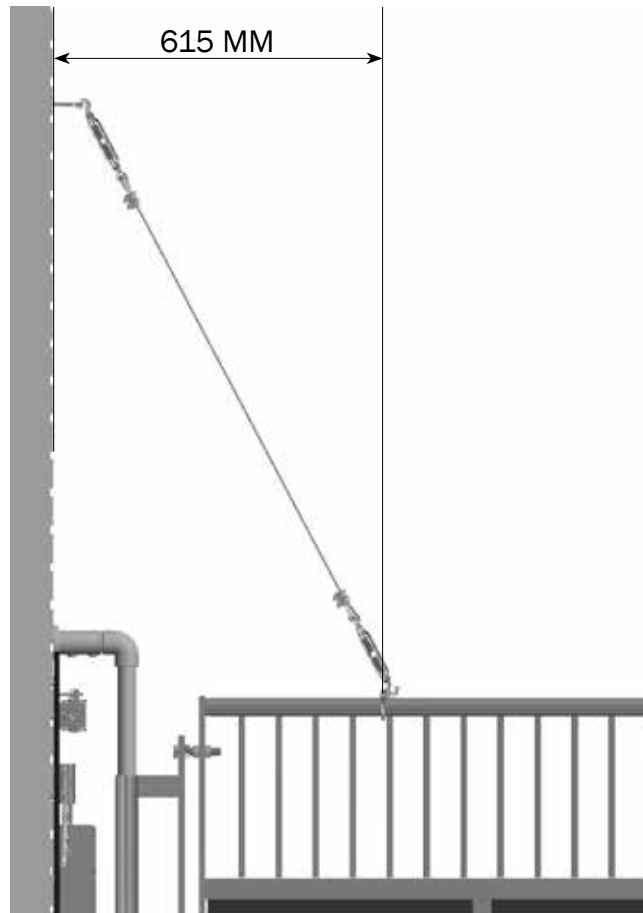
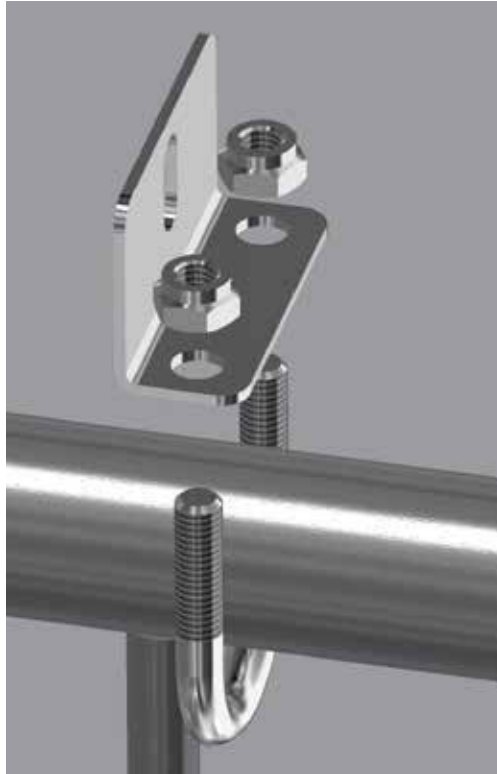
MOUNTING OF GATE ON ELEVATION POST



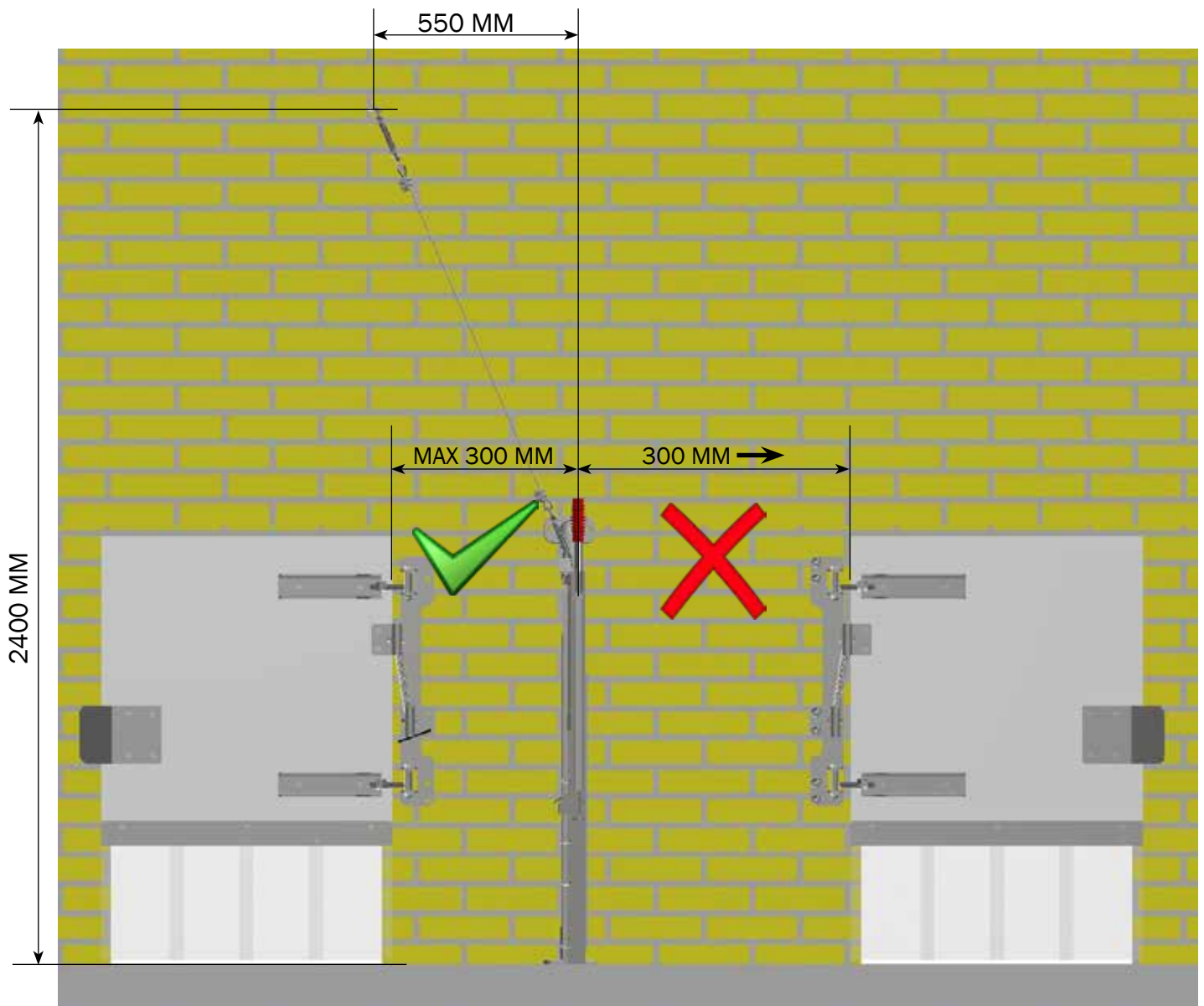
ASSEMBLING THE WIRE



MOUNTING OF U-BOLT ON GATE

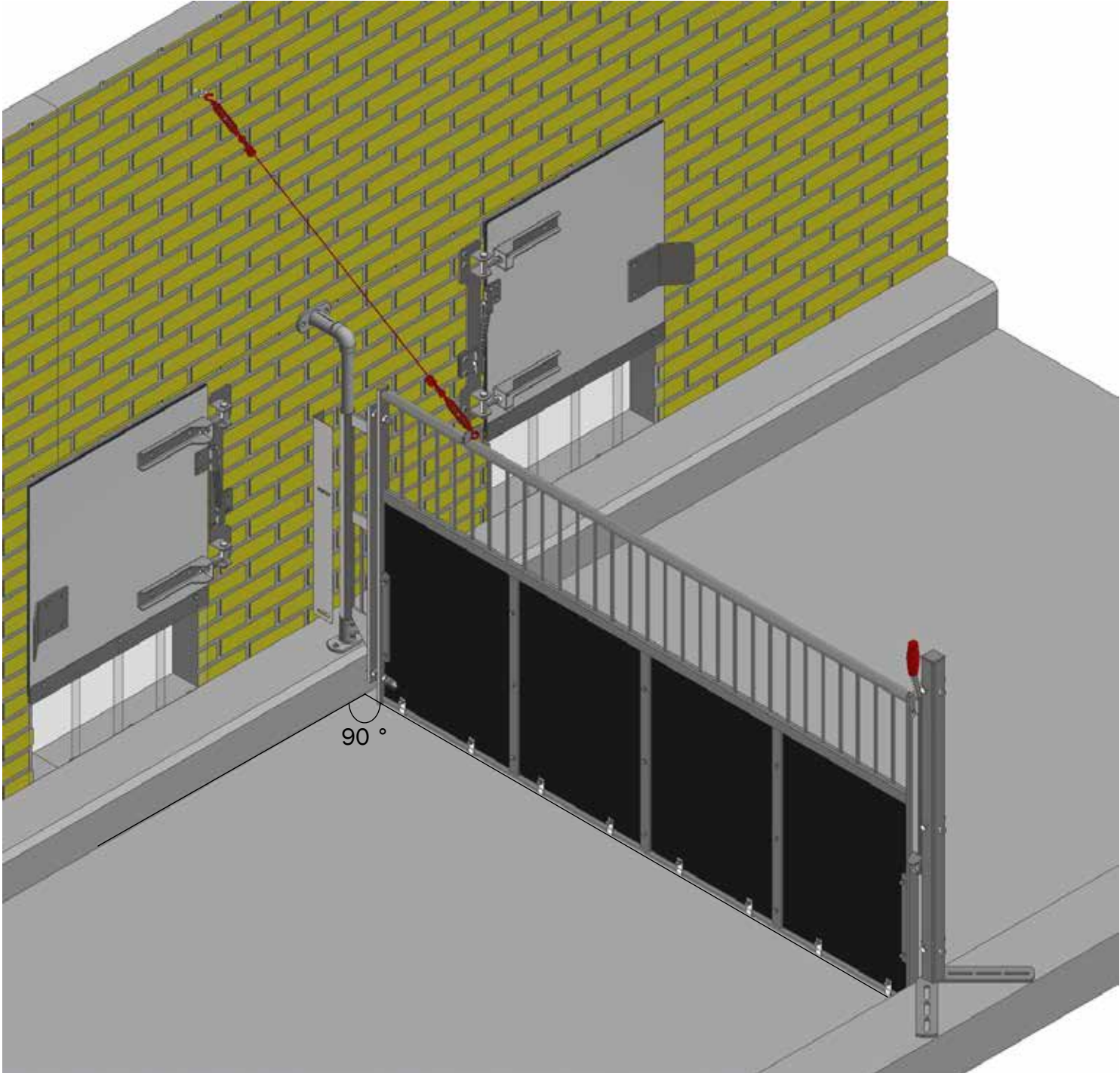


MOUNTING OF WIRE



ADJUST THE WIRE

ADJUST THE LENGTH OF THE WIRE IN THIS POSITION



INDICATIVE DRAWING EXAMPLE

