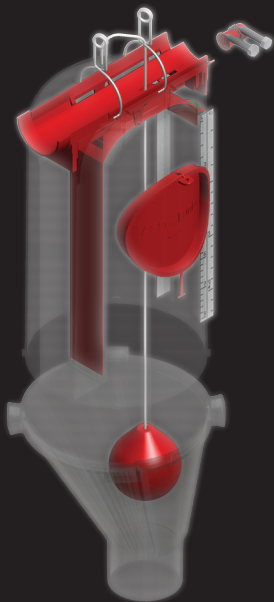




## VD5 FEED DISPENSER

For Ø38, Ø50, Ø55, Ø60 and Ø75 mm systems



- With removable outlet hopper
- Well suited for meal and pellets
- Volume up to 8 litres
- Fits downpipes Ø75 mm
- Simple and easy adjustment
- Direct access to feed dispenser through lid
- Easy and quick mounting
- Easy to clean
- No bridging

# VD5 FEED DISPENSER

Plastic feed dispenser with ball release for Ø38, Ø50, Ø55, Ø60 and Ø75 mm systems

VD5 is made of plastic and has the capacity of up to 8 l. The construction is at the same time very simple - free of fragile mechanics and demanding minimal maintenance. It is simply clicked onto the feed pipe and locked in place using two clips without the need for tools.

The dispenser has a freely rotatable asymmetrical funnel, facilitating optimum downpipe positioning and preventing bridge formation in the outlet. In addition, the funnel outlet is suitable for Ø75 mm downpipes.

The inside of the dispenser is easily cleaned through the large cleaning hatch or through the removable outlet hopper. Thanks to its transparent hopper and clear scale, checking the current setting of the VD5 is extremely simple, providing a rapid overview of feeding status within the unit. The volume setting can be quickly and easily adjusted by means of a adjustable band which pushed up and down.

A ball at the bottom of the outlet hopper keeps the VD5 dispenser closed, and the feed is nicely and easily delivered when the ball is pulled upwards, without risk of bridging.

VD5 is suitable for both manual and automatic feeding systems.

VD5 Offset hole / pellets	
Setting	Actual amount, l
L	2
3	3,5
4	4
5	5,5
6	6,5
7	7,5
8	8

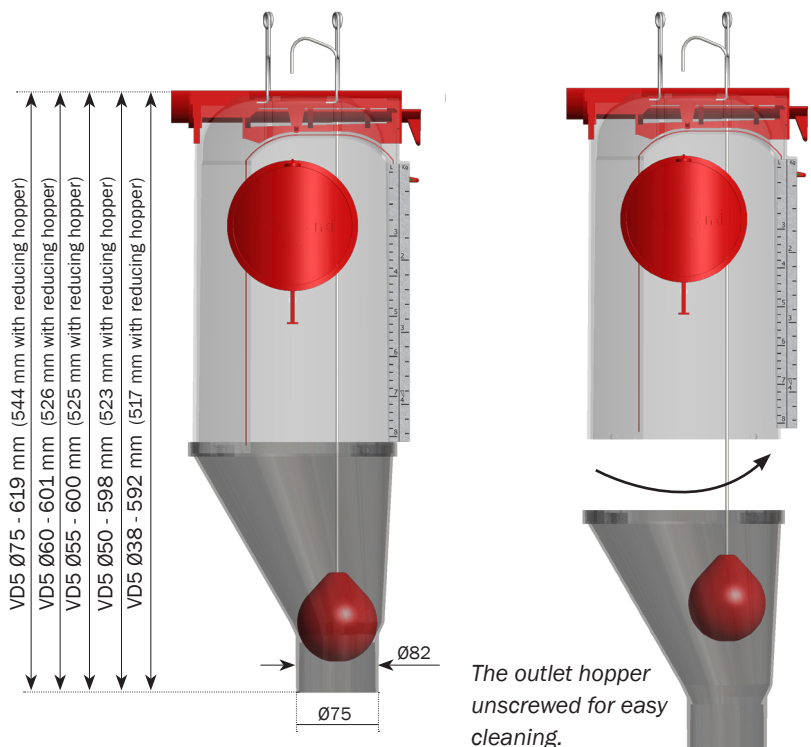
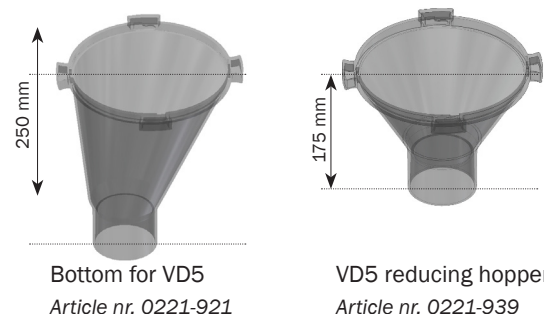
VD5 Centered hole / pellets	
Setting	Actual amount, l
L	1
3	2
4	3
5	4
6	5
7	6,5
8	7

VD5 Offset hole / meal	
Setting	Actual amount, l
L	2
3	3
4	4
5	5
6	6
7	6,5
8	7,4

VD5 Center hole / meal	
Setting	Actual amount, l
L	1,2
3	2
4	2,8
5	3,6
6	5
7	5,4
8	6,2

Volume 8 l with Ø75 mm outlet	
Model	Article nr.
VD5 Ø38	0221-953
VD5 Ø50	0221-952
VD5 Ø55	0221-954
VD5 Ø60	0221-951
VD5 Ø75	0221-950

It is possible to reduce feed by 0,45 l with VD5 reducing hopper:



Subject to changes in materials and design is reserved.

B-1027-GB



**ACO FUNKI A/S**  
 Kirkevænget 5  
 DK-7400 Herning  
 T. +45 9711 9600  
 www.acofunki.com

