

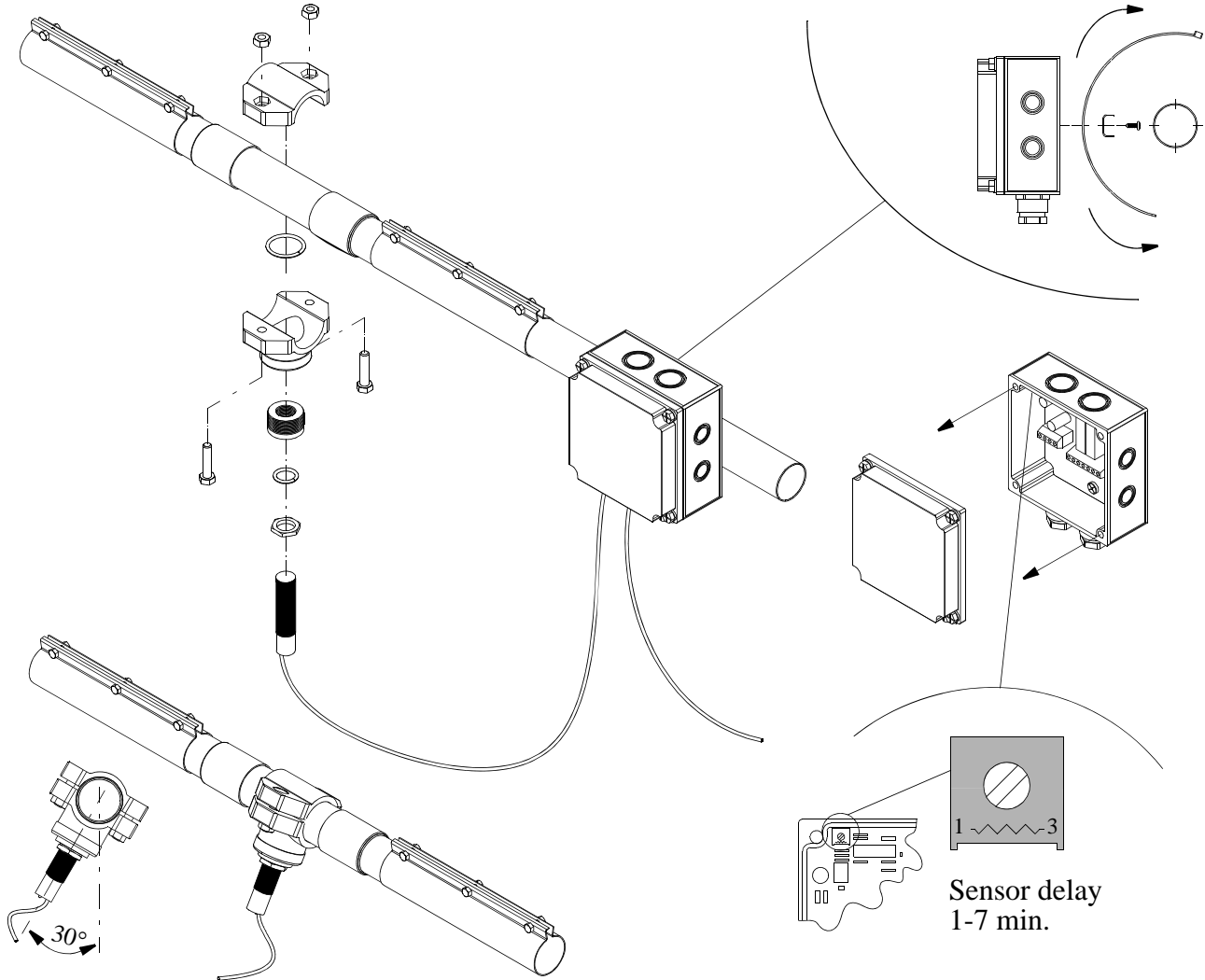
Montageblad	side 1/2		M-0083 GB	
Installation sheet	page 1/2			
Montageblatt	Seite 1/2			
Montageblad	sida 1/2		0901-524	3006-97

Udskiftning af føler: VC11RT, VC12RT eller S2.

Replacement of sensor type: VC11RT, VC12RT or S2.

Auswechslung von VC11RT, VC12RT oder S2 Fühler.

Utbytning av givartyp: VC11RT, VC12RT eller S2.



Adjustment of stop sensor with metal discs.

1. Push the stop sensor quite against the PVC tube and fasten the nut.
2. Start the system with empty feed tube.
3. Adjust the screw at hed end of the sensor by means of the screw driver supplied, so that the yellow light diode is constantly alight.
4. Turn the screw so that the yellow light diode **is just beginning** to flash concurrently with the passing of the discs.
5. Turn the screw another 1/4 turn.
6. Check that the light diode flashes concurrently with the passing of the discs.
7. With 50% filling degree, check the stop function at least three times.
8. If necessary, re-check the sensitivity.

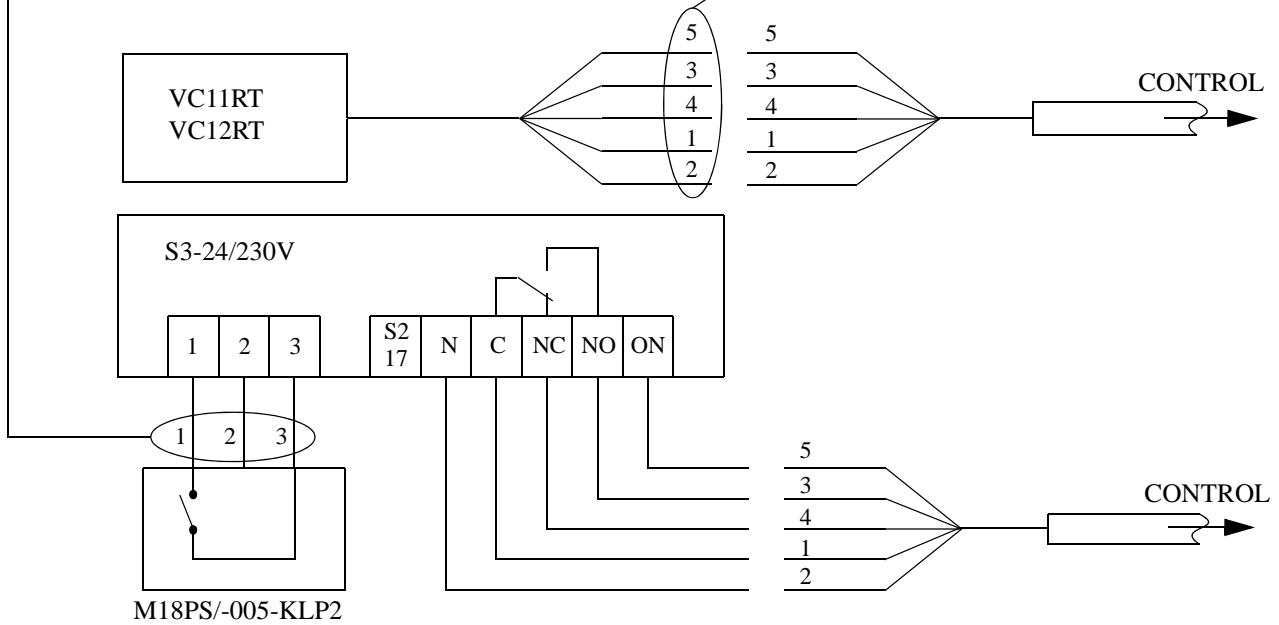
Adjustment of stop sensor with plast discs.

1. Push the stop sensor quite against the PVC tube and fasten the nut.
2. Start the system with empty feed tube.
3. Adjust the screw at hed end of the sensor by means of the screw driver supplied, so that the yellow light diode is constantly alight.
4. Turn the screw so that the yellow light diode **just goes out.**
5. Turn the screw another 1/4 turn.
6. With 50% filling degree, check the stop function at least three times.
7. If necessary, re-check the sensitivity.

VC11RT/VC12RT

	DK	GB	D	F	S
1	brun	brown	braun	brun	brun
2	blå	blue	blau	bleu	blå
3	sort	black	schwarz	noir	svart

	DK	GB	D	F	S
1	sort	black	schwarz	noir	svart
2	blå	blue	blau	bleu	blå
3	gul	yellow	gelb	jaune	gul
4	grå	grey	grau	gris	grå
5	brun	brown	braun	brun	brun



S3 må kun anvendes i forbindelse med føler type: BERNSTEIN KCB M18PS/-005-KLP2
 S3 should only be used in connection with the following sensor type: BERNSTEIN KCB M18PS/-005-KLP2
 S3 darf nur in Verbindung mit Fühlertyp: BERNSTEIN KCB M18PS/-005-KLP2 verwendet werden.
 Utilisez le S3 seulement avec le type de senseur suivant: BERNSTEIN KCB M18PS/-005-KLP2
 S3 kan bara användas i förbindelse med givartyp: BERNSTEIN KCB M18PS/-005-KLP2

S2

	DK	GB	D	F	S
1	brun	brown	braun	brun	brun
2	blå	blue	blau	bleu	blå
3	sort	black	schwarz	noir	svart

m-0083_GB_udsikftning_af_foeler_FM5_fm 2/2

