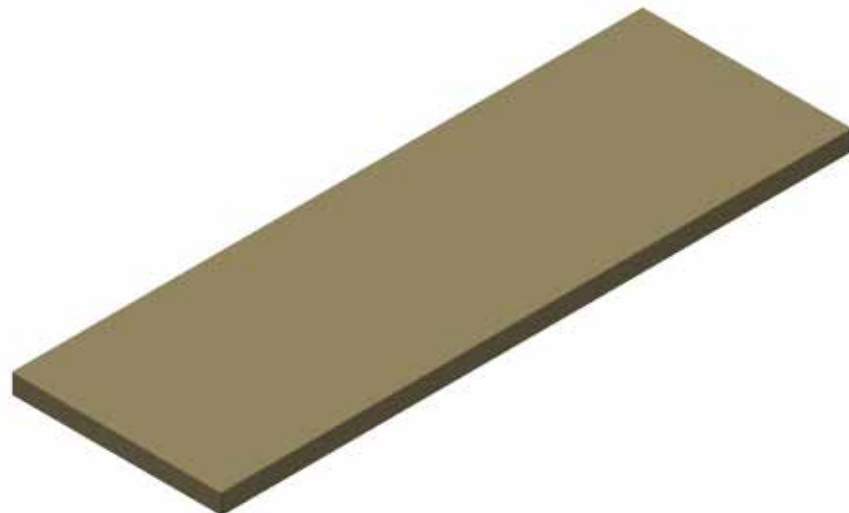
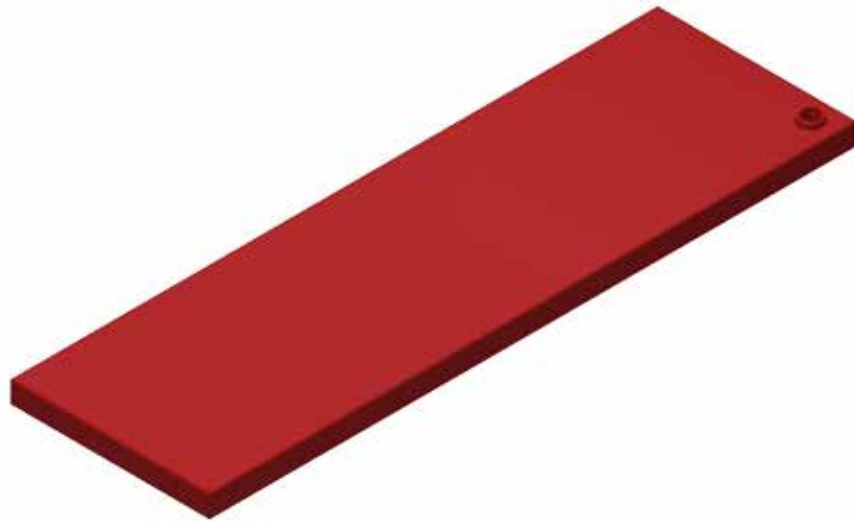


MOUNTING INSTRUCTION



WATER HEATING PLATE

PVC 120x40, 120x50

POLYMER CONCRETE 120X40, 120X50, 140X50



ACO FUNKI A/S

Kirkevænget 5
DK-7400 Herning

Tel. +45 9711 9600

www.acofunki.com

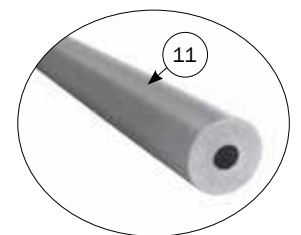
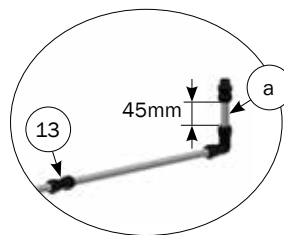
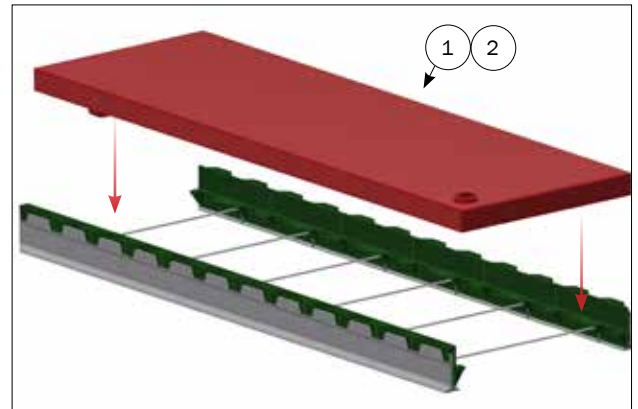
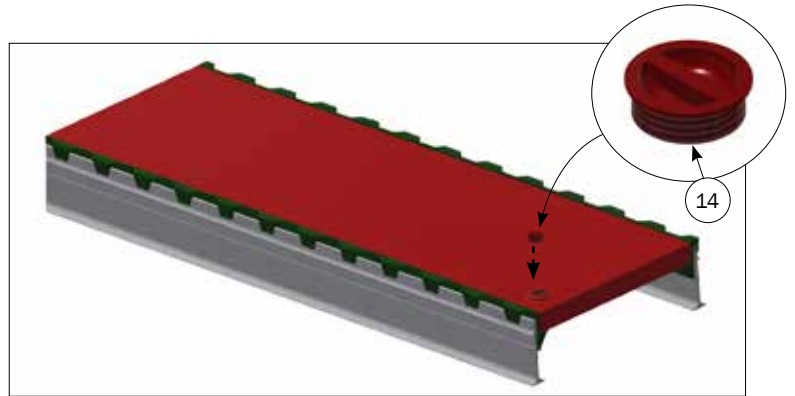
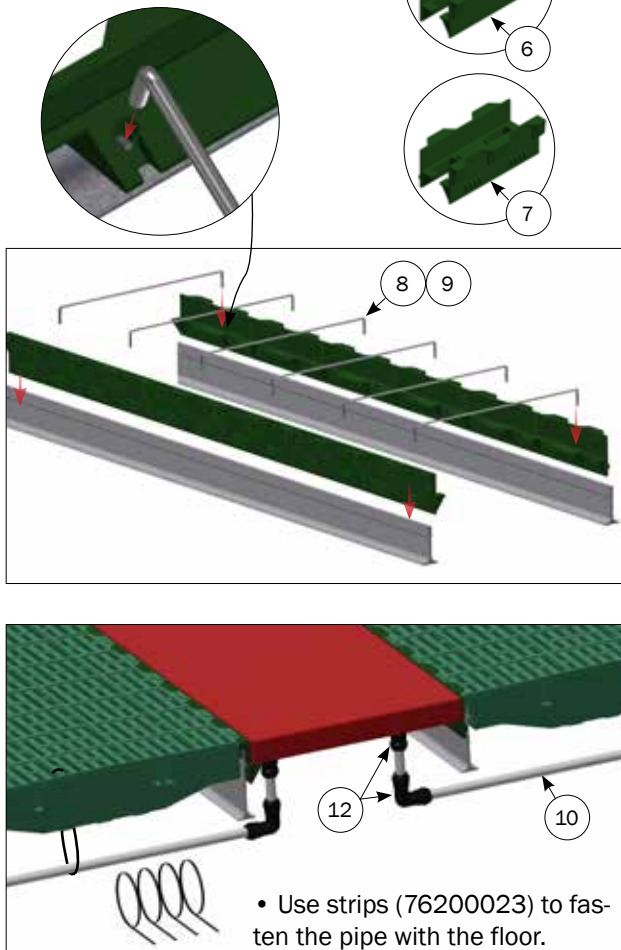
www.egebjerg.com

FUNKI

DANISH DESIGN | GERMAN QUALITY | GLOBAL EXPERIENCE

Mounting on support

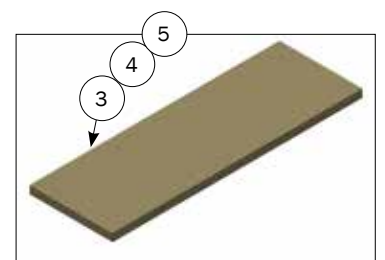
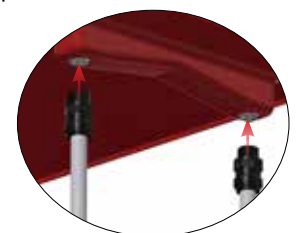
- Bracket kit (7) is used for delta supports (560290,7910290).
- 6 pcs. of bracket kit on one plate.



- The pipe (a) must be cut to 80mm Measurement of visible pipe - 45mm
- Use connector, for joining pipe parts.

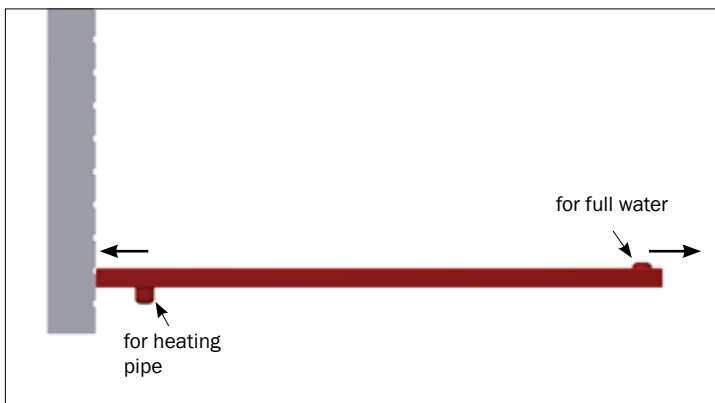
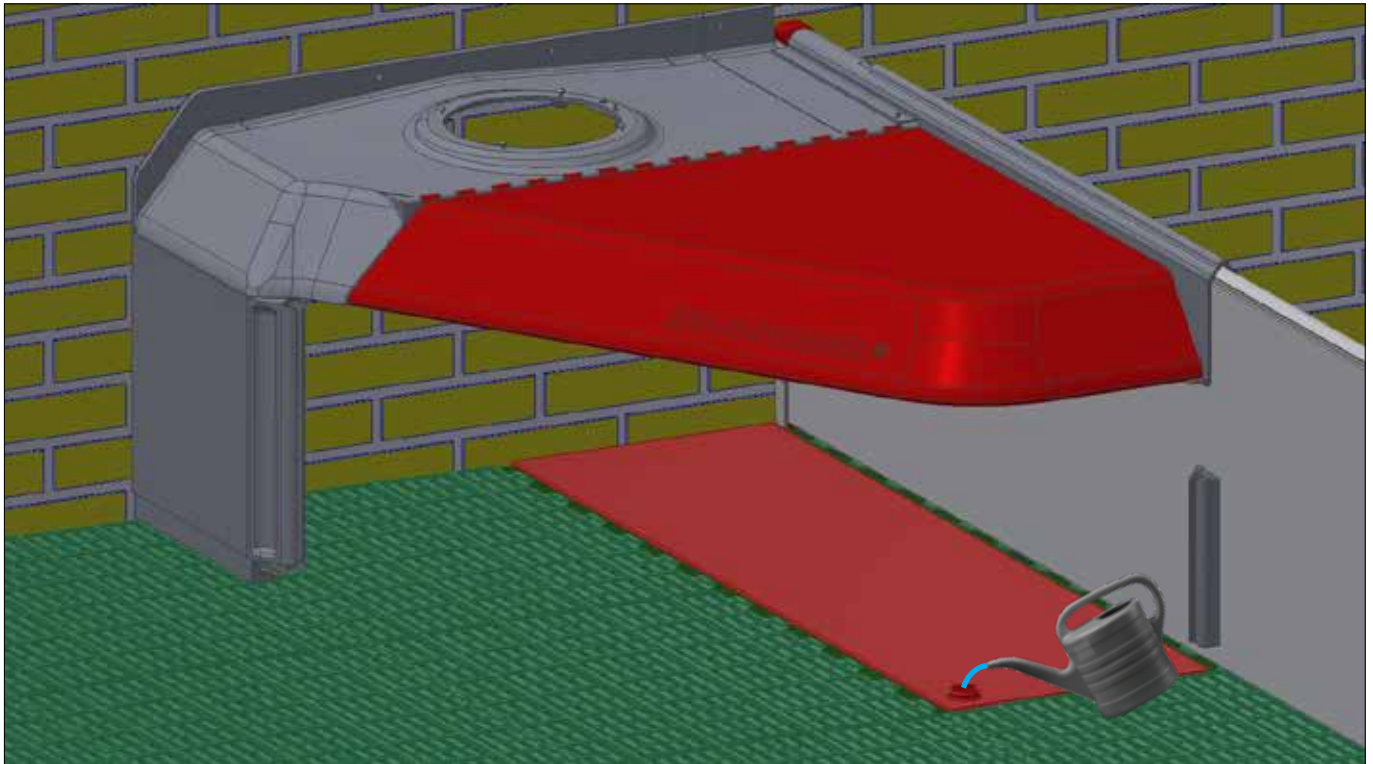
- It is recommended to use pipe insulation on the pipes (see picture 1, page 4, marked in red), to achieve the same temperature on all plates.

| | Item nr. | Description |
|----|----------|--|
| 1 | 563040 | WATER HEATING PLATE 120X40 CM PVC, WITH STAINLES STEEL PIPE INSERT ½" FEMALE THRED |
| 2 | 563050 | WATER HEATING PLATE 120X50 CM PVC, STAINLES STEEL PIPE INSERT, ½" FEMALE THRED |
| 3 | 12631 | WATER HEATING PLATE 120X40 CM, 120W WITH PVC PIPE INSERT, ½" FEMALE THRED |
| 4 | 12633 | WATER HEATING PLATE 120X50 CM,120W WITH PVC PIPE INSERT, ½" FEMALE THRED |
| 5 | 12630 | WATER HEATING PLATE 140X50 CM, 140W WITH PVC PIPE INSERT ½" FEMALE THRED |
| 6 | 4960560 | BRACKET KIT FOR HEATING PLATE |
| 7 | 4960614 | BRACKET KIT FOR HEATING PLATE ON DELTA SUPPORT |
| 8 | 17274 | STEEL BRACKET FOR AXIAL DIMENSION 40 CM HEATING PLATES |
| 9 | 17367 | STEEL BRACKET FOR AXIAL DEMENSION 50 CM HEATING PLATES |
| 10 | 563004 | PEX HEATING PIPE 16 X 2 MM, PRICE PER. M, 120 M IN ROLL |
| 11 | 563005 | Ø18 MM PIPE INSULATION WITH 13 MM INSULATION, 2 METERS LONG |
| 12 | 560315 | CONNECTING ANGLE, 2 PCS. PER SAT FOR 16X2 MM |
| 13 | 23900662 | AQUASPEED CONNECTOR 16 MM FOR FLOOR HEATING |
| 14 | 563051 | PLUG FOR WATER HEATING PLATE 563050 AND 563040 |



- Water heating plate in polymer concrete are installed in the same way.

Heating unit



- The amount of water must be checked every 3 weeks.

Plate 120x40 - 10L
Plate 120x50 - 11L

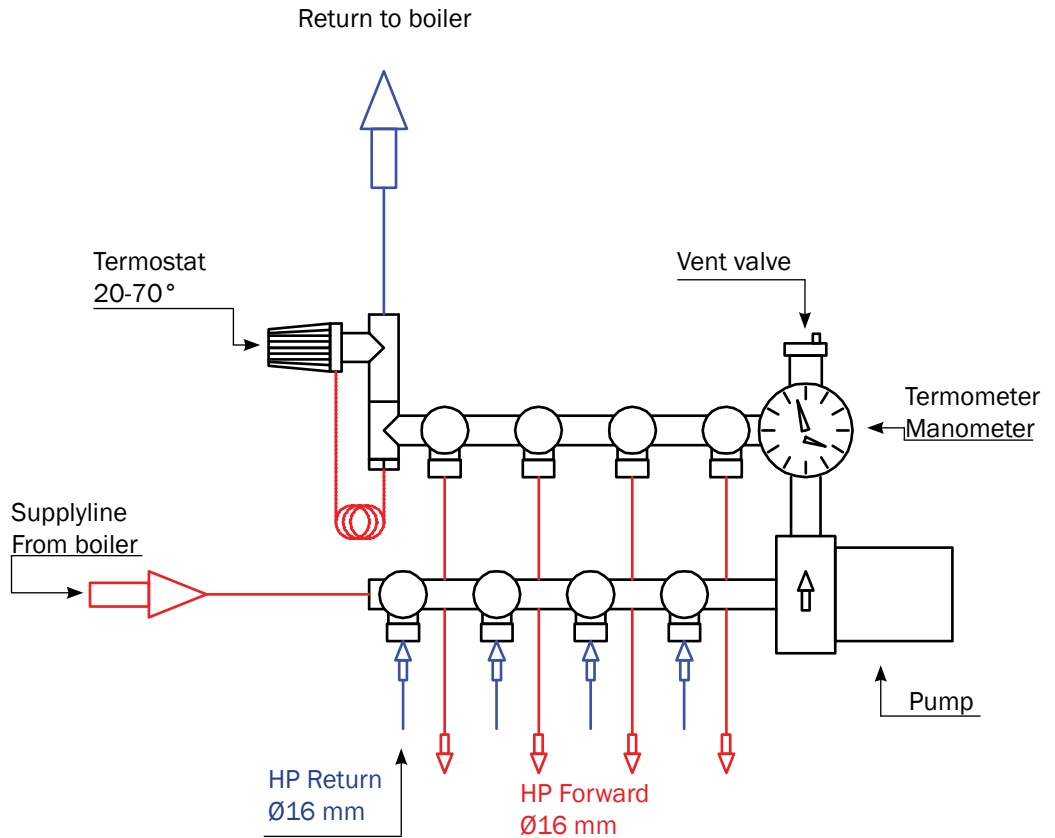
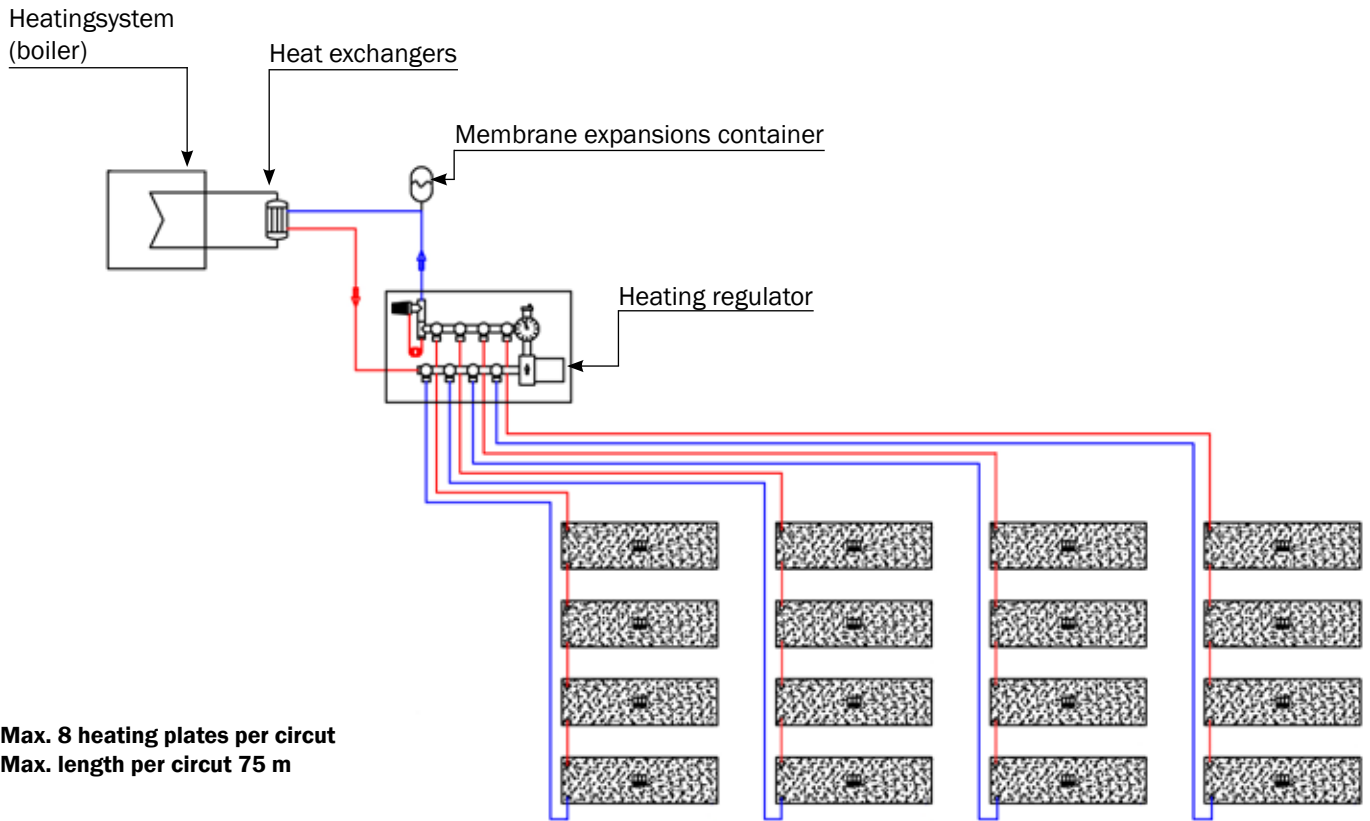
- Make sure that the access for the heating hose must lie against the wall, and the access for full water to the center of the "room".



- The temperature of the heating plates is controlled via the heating unit.

- See mounting instruction M-8525 for further information.

Overview of heating unit in operation



Maximum temperatur 60°
 Maximum pressure 5 bar
 Thermal conductivity Polymer concrete: 1,5 W/mK
 Thermal conductivity PVC: 0.5 W/mK
 Thermal conductivity Copper pipe: 370 W/mK
 The system can be connected either as forward regulated or return regulated.

M-8523_GB