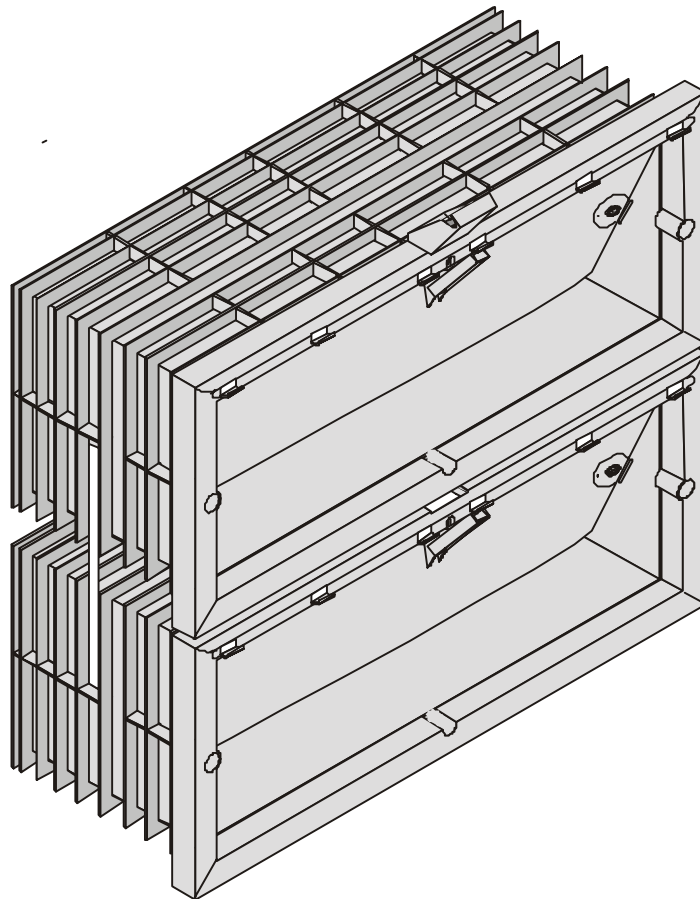


GB

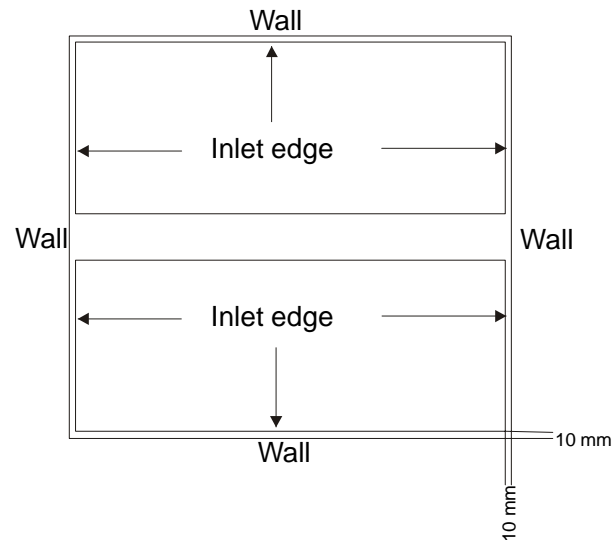
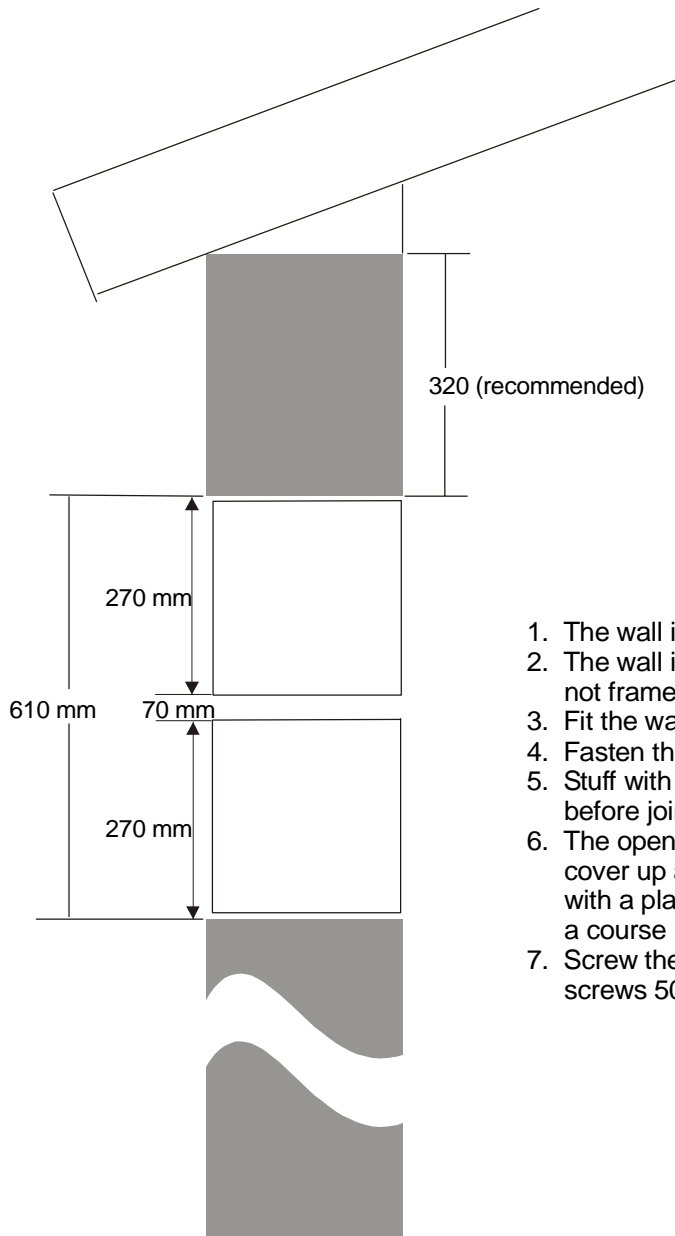
# Assembly instruction

## Wall inlet WI double



# Assembly instruction

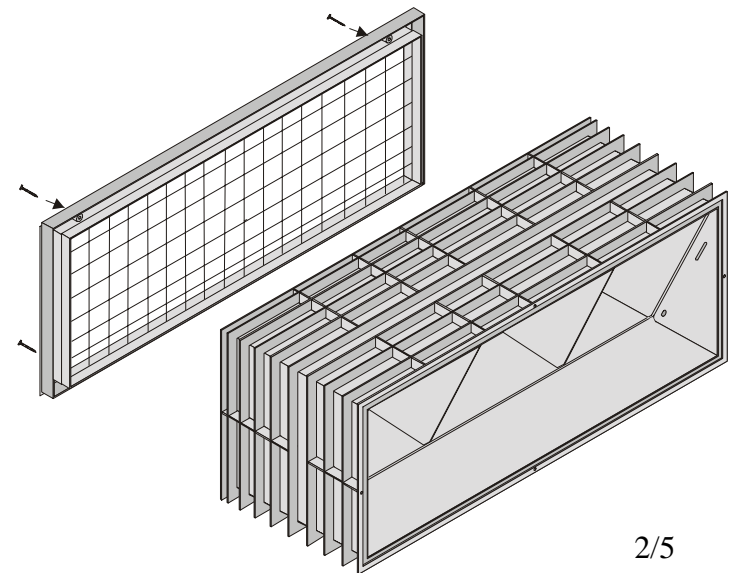
## Wall inlet WI double



Wall hole: dimension  
height x width  
610mm x 670 mm

1. The wall inlet is centered in the wall hole with spacer
2. The wall inlet "must" be flush with the inside wall. The inside is not frame mounted.
3. Fit the wall inlet temporarily with corner wedges.
4. Fasten the wall inlet in the corners with polyurethane foam
5. Stuff with insulation material between the wall and the inlet before jointing with silicone
6. The opening 70 mm between the wall inlets must be cover up at the outside and inside the wall. perhaps with a plate. When bricks (54 mm high) are used a course can be made.
7. Screw the net onto the wall inlet with 4 pcs. PT screws 50x12 (H71-006)

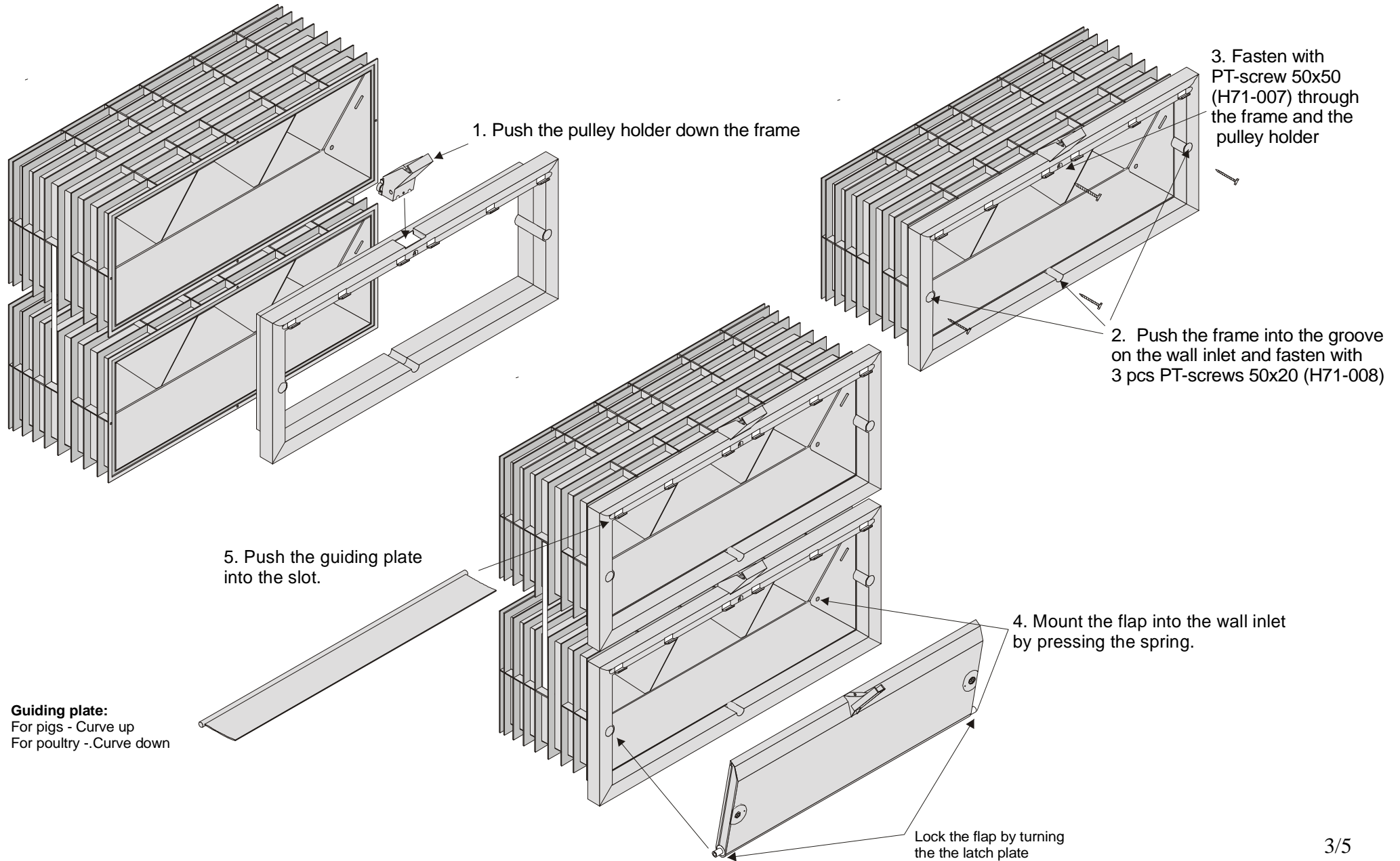
**Important!**  
**Avoid mortar etc. at the edges of wall inlet, because of problems when assembling the wall inlet.**



# Assembly instruction

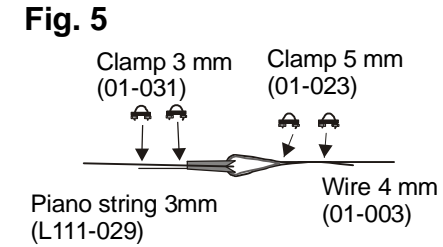
## Wall inlet WI double

The wall inlet mounted in the wall  
mentioned below is for both wall inlets

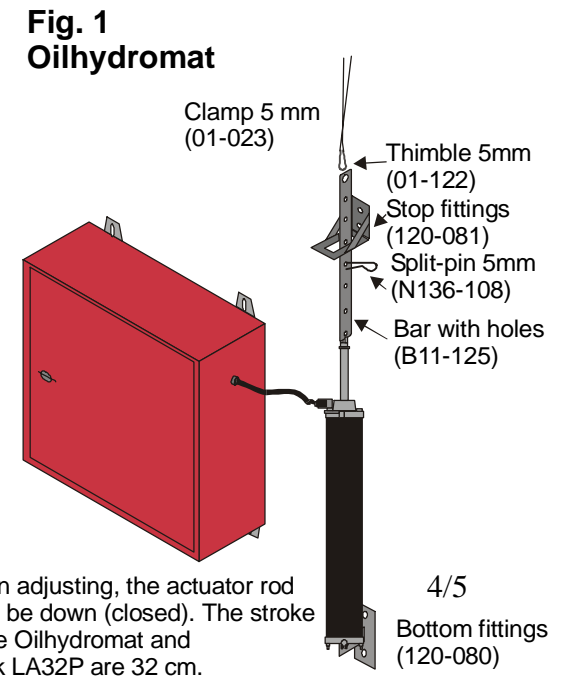
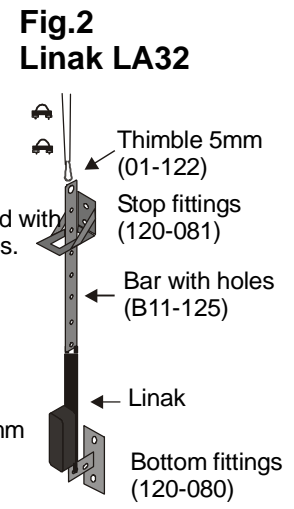
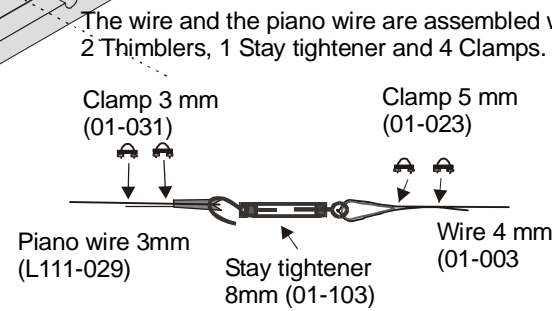
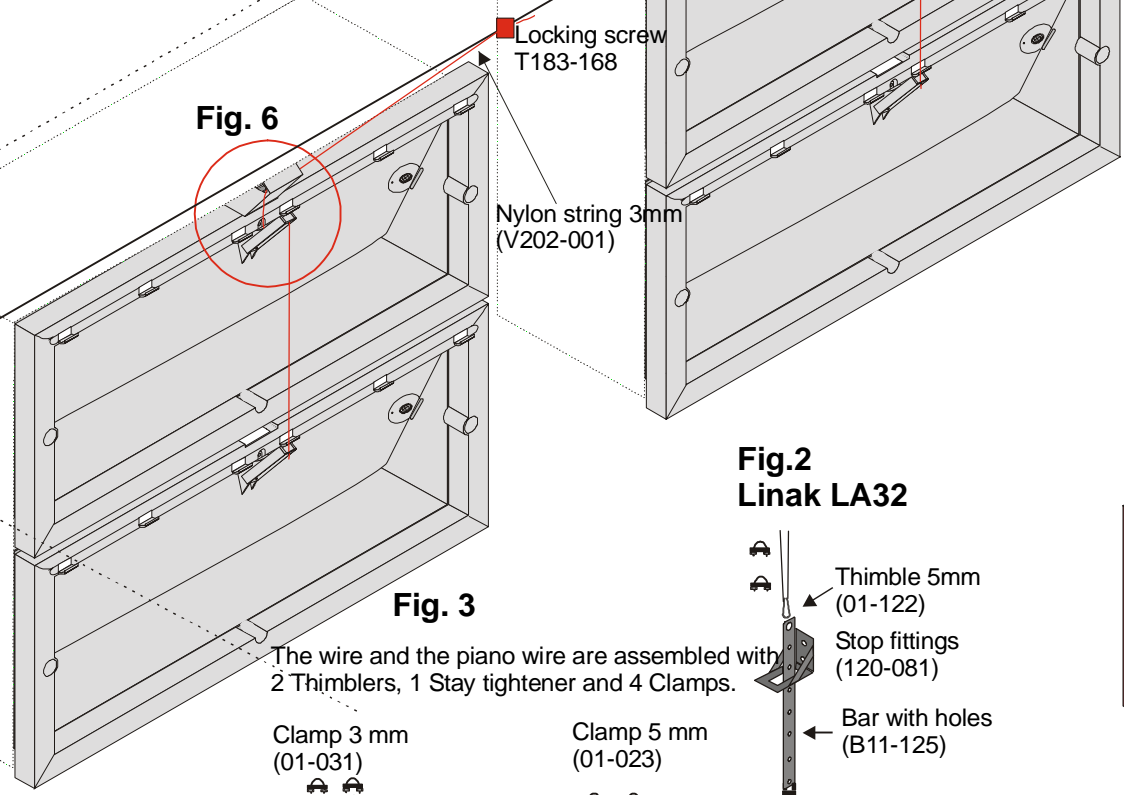
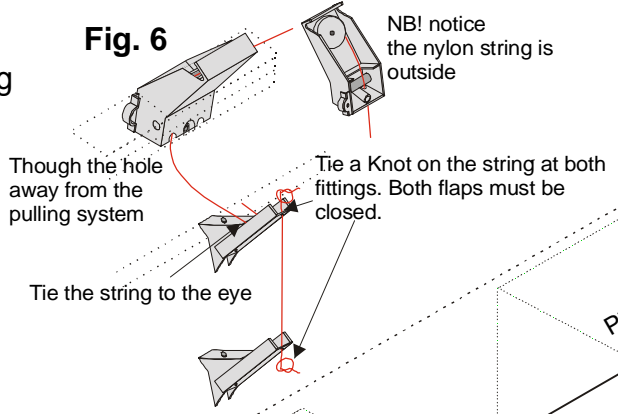
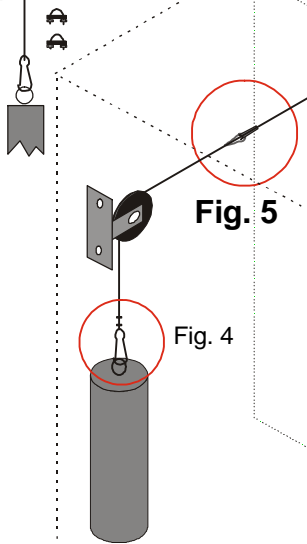


# Mounting the wire pulling system onto the wall inlets

The wall inlets must be closed when mounting the wire pulling system



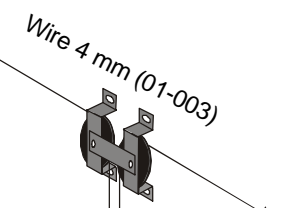
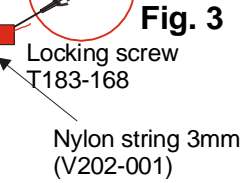
**Fig. 4**  
Put the wire through a snap hook and fasten with 2 clamps. Hang the weight in the snap hook.



When adjusting, the actuator rod must be down (closed). The stroke of the Oilhydromat and Linak LA32P are 32 cm.

Continue to the pulling system on the opposite wall.

See fig. 1 or 2



The wire and the piano wire are assembled with 2 Thimbles, 1 Stay tightener and 4 Clamps.

4/5

# Concreting the wall inlet WI double

**NB! Be careful, no concrete must be left on the edges**

