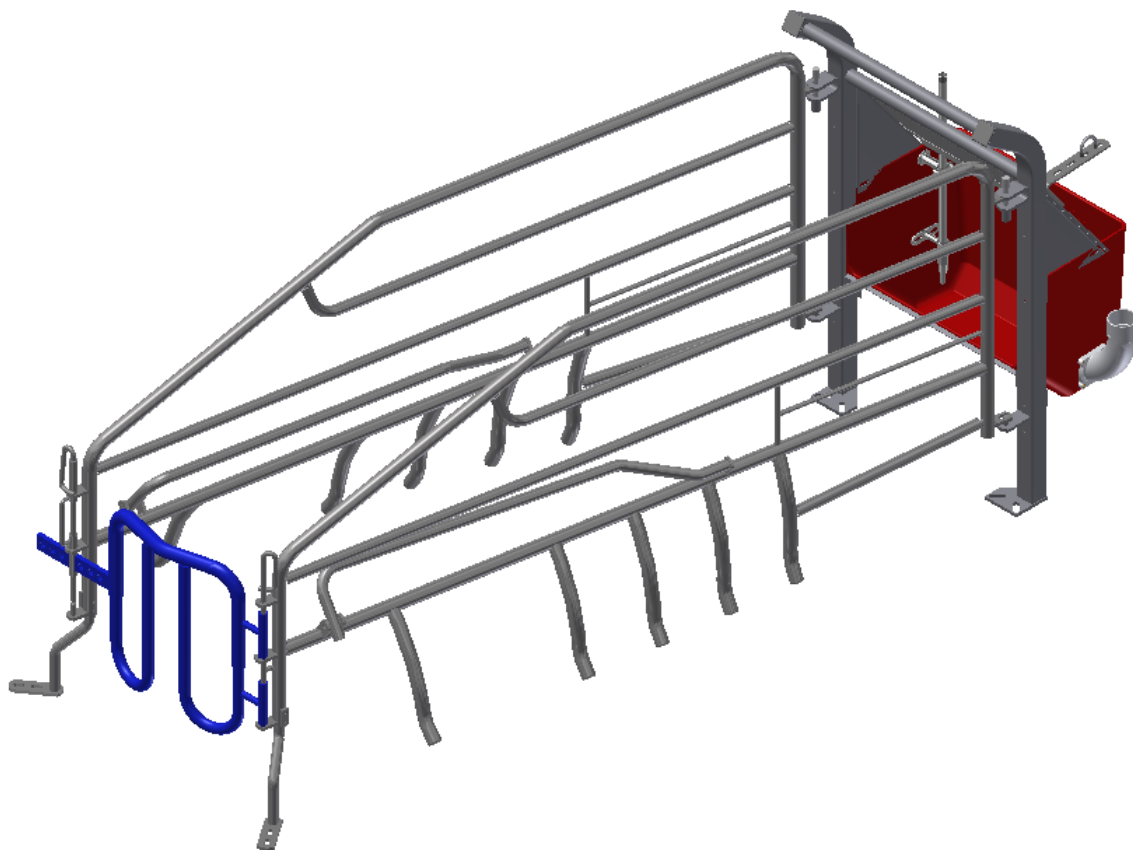


Mounting instruction



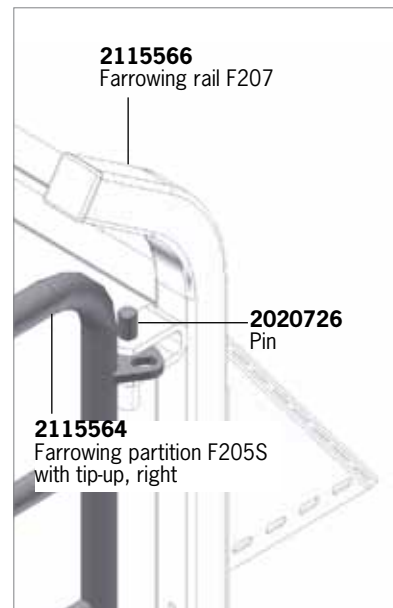
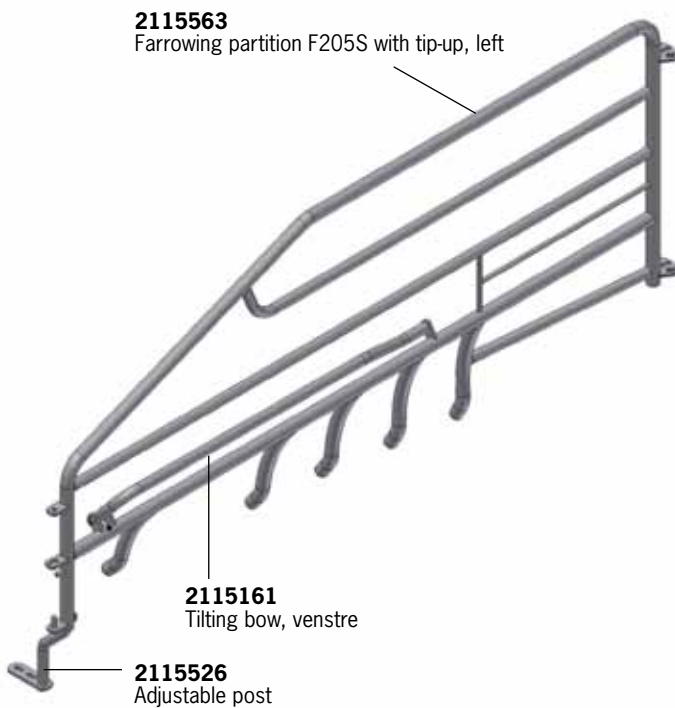
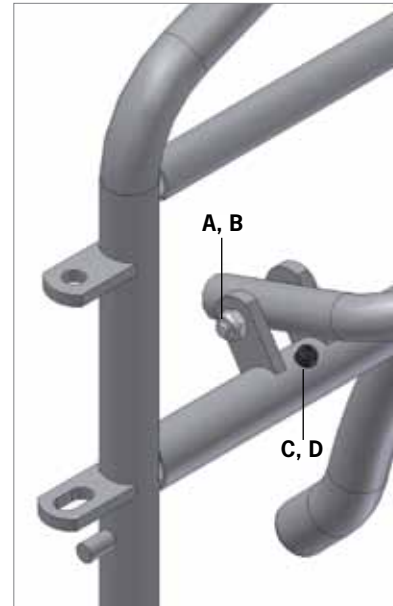
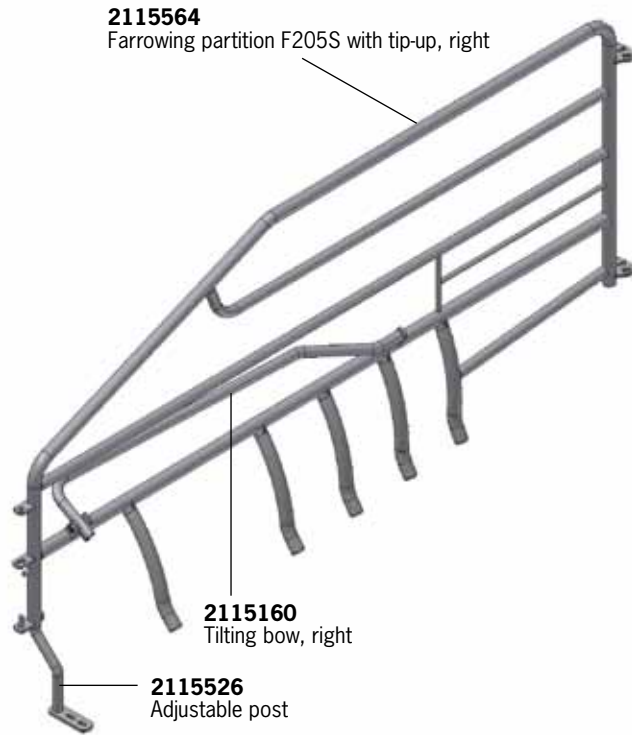
GB

Farrowing pen F207, rear acces

ACO Funki

Farrowing pen F207

Farrowing partition F205S with tip-up

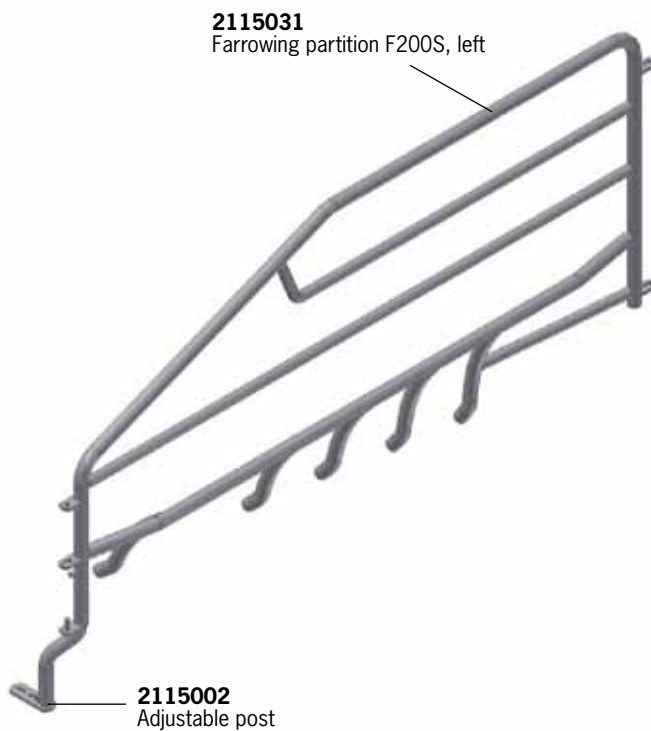
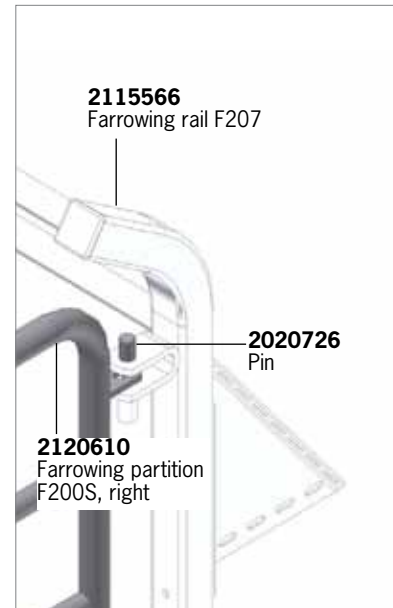


A	32310065 Machine bolt ST M10x65
B	33900029 Lock nut ST M10
C	27900000 Slide shoe
D	34900041 Self-cutting screw FZB 3,5x16

ACO Funki

Farrowing pen F207

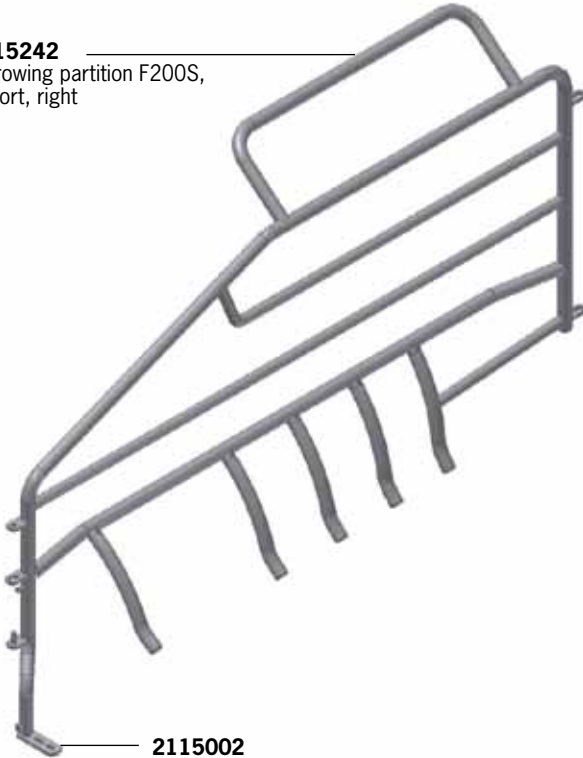
Farrowing partition F200S



Farrowing pen F207

Farrowing partition F200S, Export

2115242
Farrowing partition F200S,
Export, right

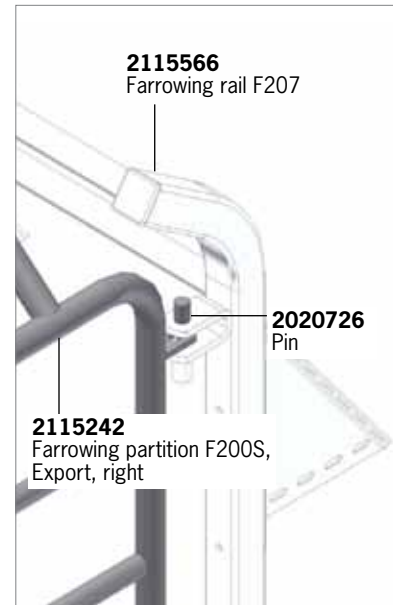


2115002
Adjustable post

2115243
Farrowing partition F200S,
Export, left



2115002
Adjustable post



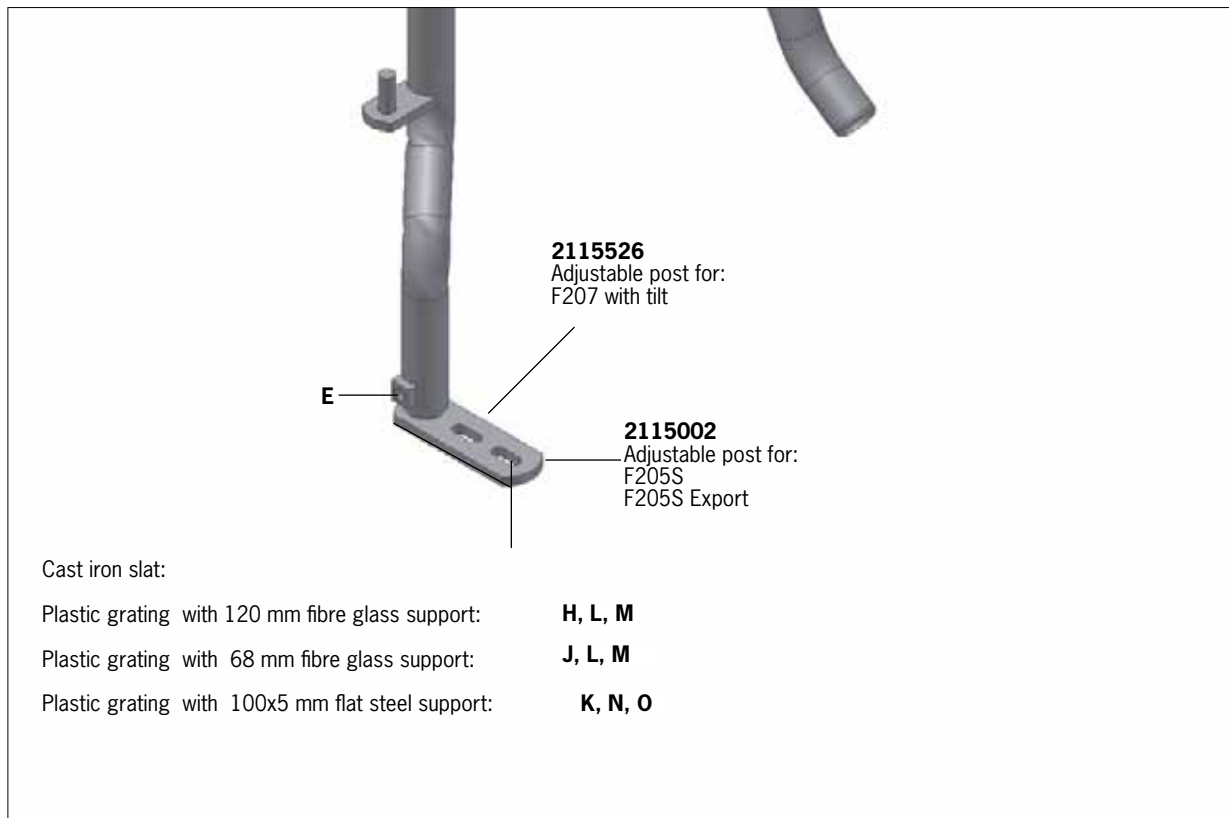
2115566
Farrowing rail F207

2020726
Pin

2115242
Farrowing partition F200S,
Export, right

Farrowing pen F207

Farrowing partition F200S Export



Fastening of adjustable post to cast iron grating:

Look at page: M-6149-9-GB

E	38310016 Tailstock screw ST M10x10
H	2915436 Hook bolt for 120 mm fibre glass supp.
J	2915444 Hook bolt for 68 mm fibre glass supp.
K	9920019 Hook bolt for flat steel support
L	35600089 Nut washer M8 5/16"
M	33908013 Lock nut FZB M8
N	35900085 Nut washer ST M10
O	33900029 Lock nut ST M10

Farrowing pen F207

Bolt-on fitting for cast iron gratings

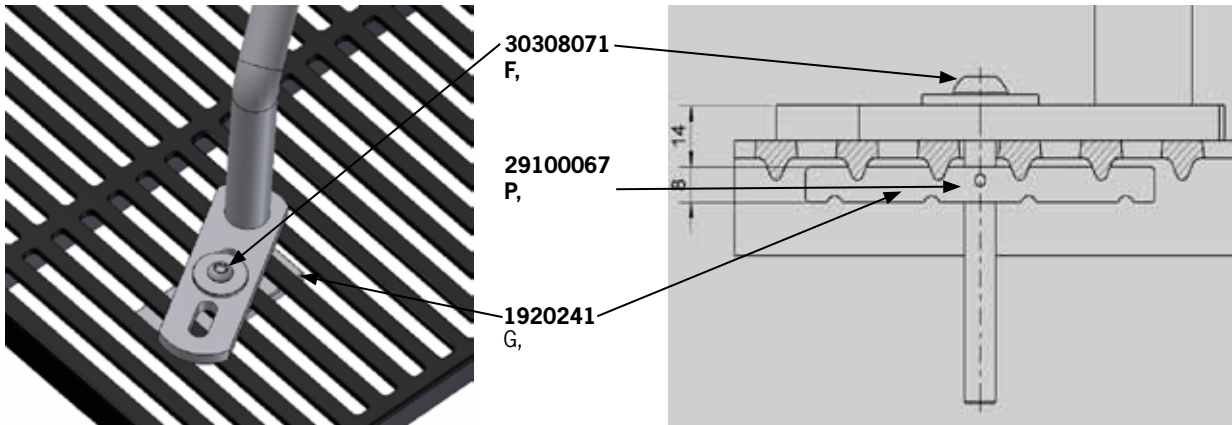


Fig. 1: Fastening of adjustable post to cast iron grating

The fitting is fastened to art. No. 30308071 Torx buttonhead screw M8x70 with washer Ø30x2.5.

Fastening is secured with 4 to 5 drops OMNI-FIT seal 46M thread sealing (art. No. 29100067) which is supplied together with the screws.

NOTE: Thread sealing is put onto the screw in the area where the fitting will be situated when the screw is tightened.

NOTE: The fitting must be placed correctly. In 10/11 gratings the side marked with 10/11 must turn against the grating, the same with 12/13 gratings.

The screw **MUST** be tightened with a nut fastener (as shown on fig. 3 or the like).

When fastened, the screw should not be touched further.

The thread sealing is hardened for use after approx. 3 hours and finally hardened after approx. 8 hours.

F	30308071 Buttonhead screw M8x70 w/washer A2
G	1920241 Bolt-on fitting galv.
P	29100067 Thread glue strong



Fig. 2: Thread sealing

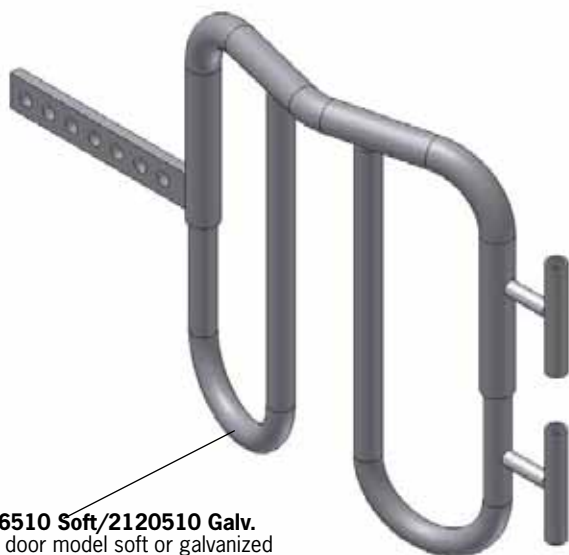


Fig. 3: Nut fastener

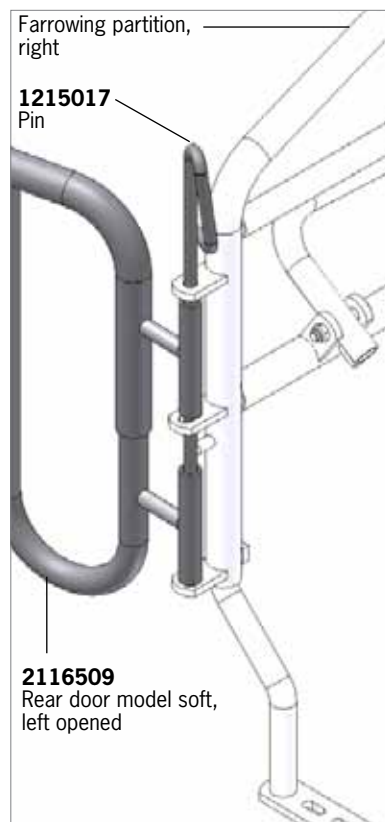
ACO Funki

Farrowing pen F207

Rear door model soft



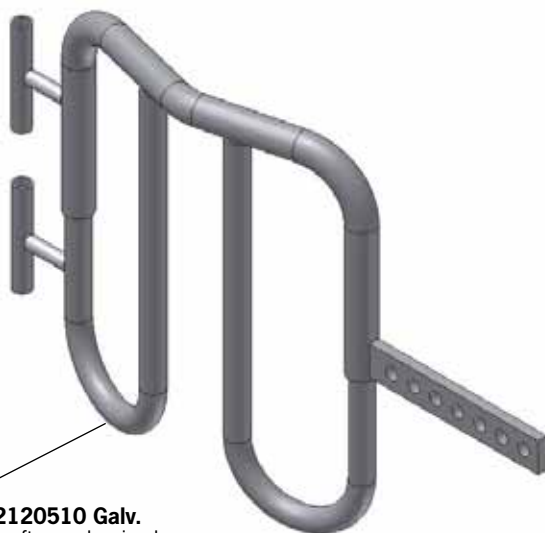
2116510 Soft/2120510 Galv.
Rear door model soft or galvanized
left opened



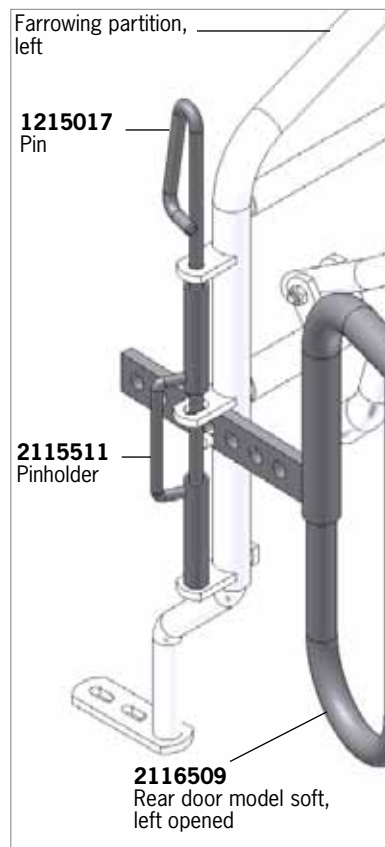
Farrowing partition,
right

1215017
Pin

2116509
Rear door model soft,
left opened



2116510 Soft/2120510 Galv.
Rear door model soft or galvanized,
right opened



Farrowing partition,
left

1215017
Pin

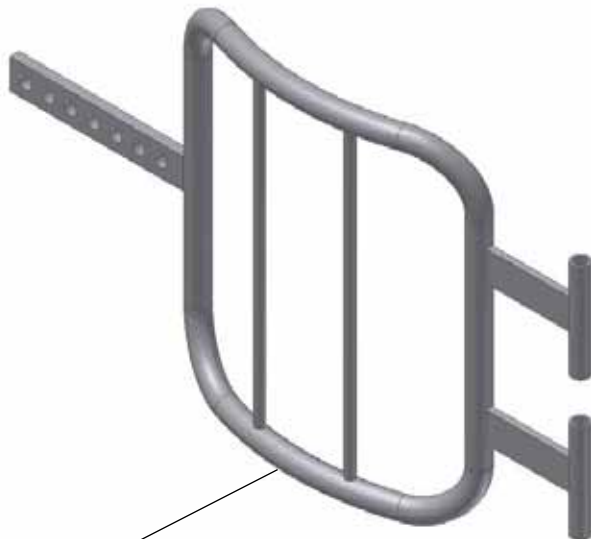
2115511
Pinholder

2116509
Rear door model soft,
left opened

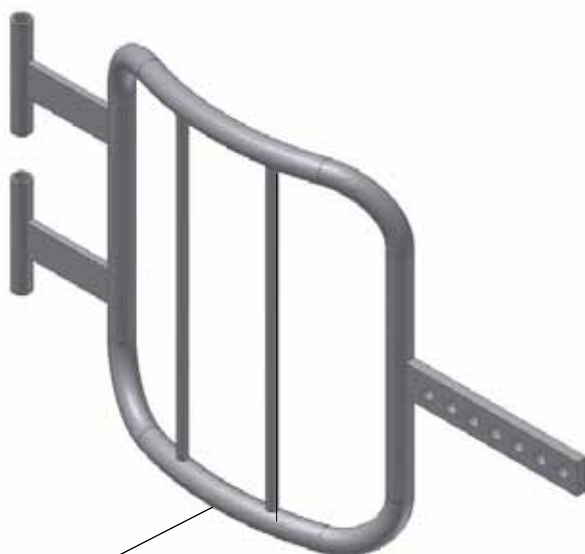
ACO Funki

Farrowing pen F207

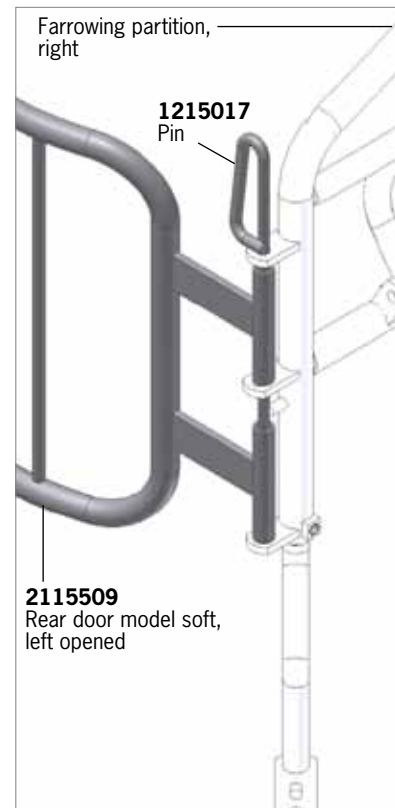
Rear door F200



2115051
Rear door F200,
left opened



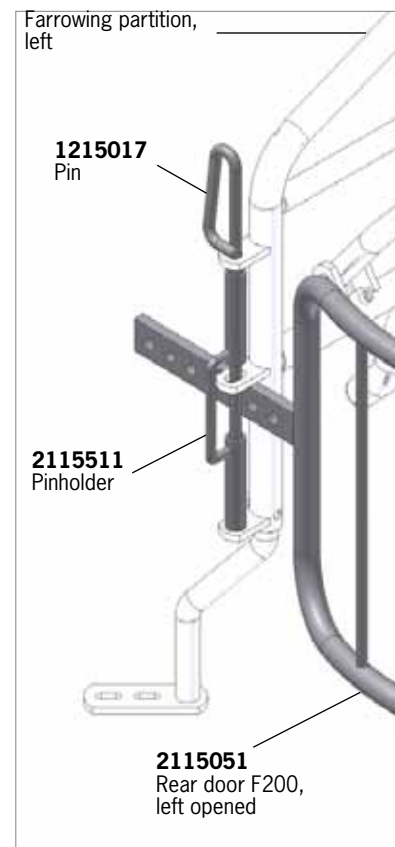
2115051
Rear door F200,
right opened



Farrowing partition,
right

1215017
Pin

2115509
Rear door model soft,
left opened



Farrowing partition,
left

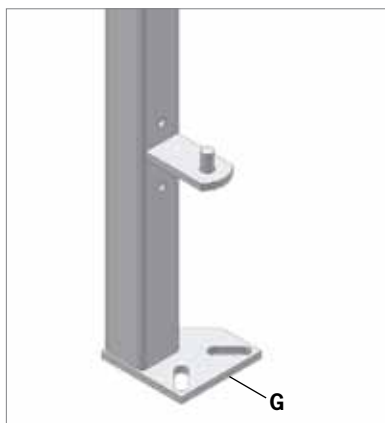
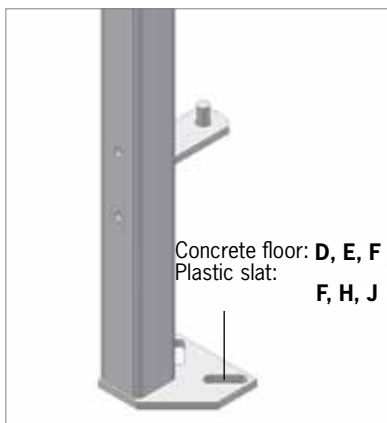
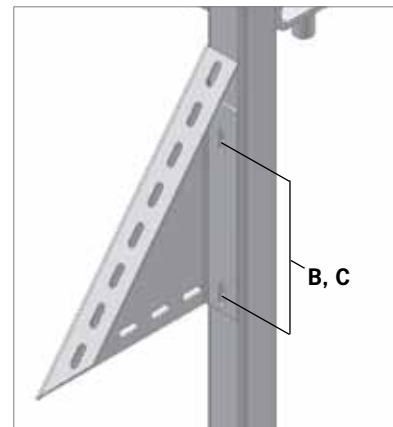
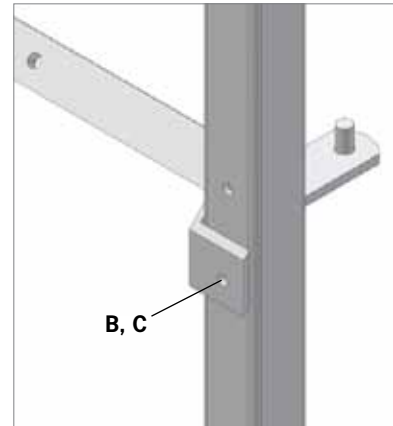
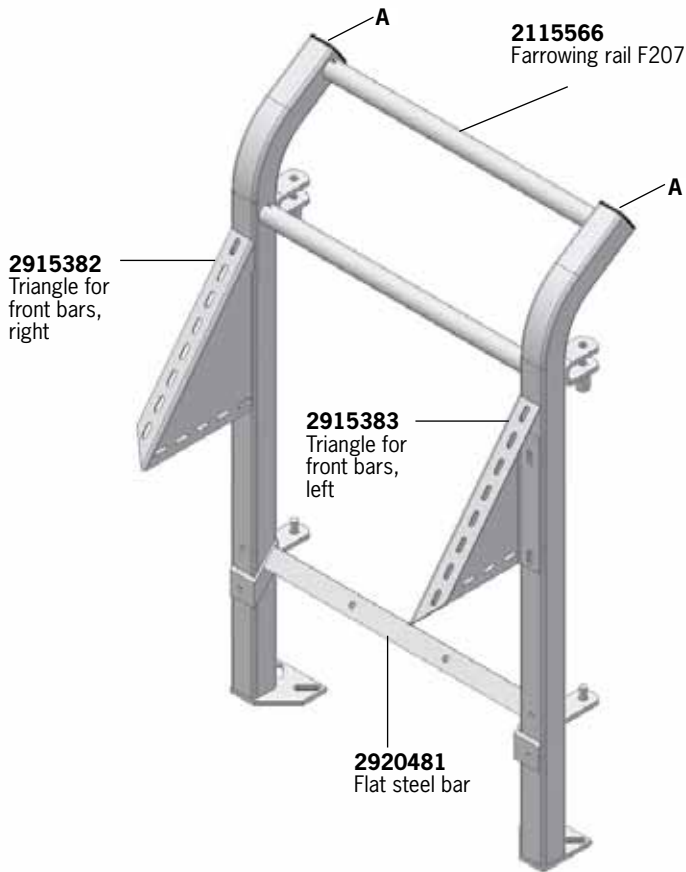
1215017
Pin

2115511
Pinholder

2115051
Rear door F200,
left opened

Farrowing pen F207

Farrowing rail F207 for Bioform Multi trough



A	9960005 Cap 50x30x5
B	30308065 Set screw ST M8x65
C	33508013 Nut ST M8
D	34910070 Coach screw ST M10X70
E	39900001 Wall plug 12 mm
F	35900085 Nut washer ST
G	9961003 Plastic wedge 2-7 mm
H	2920166 Fitting for Durofarm sow slat
J	30310050 Set screw ST m10x50

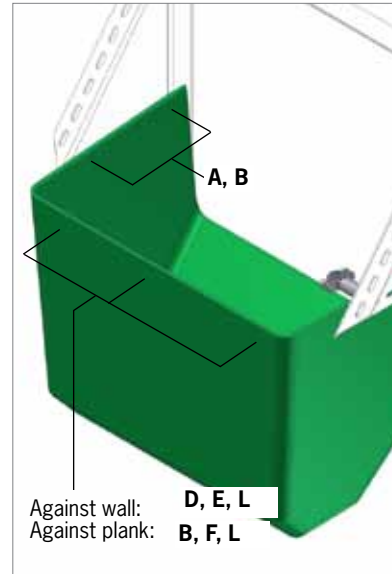
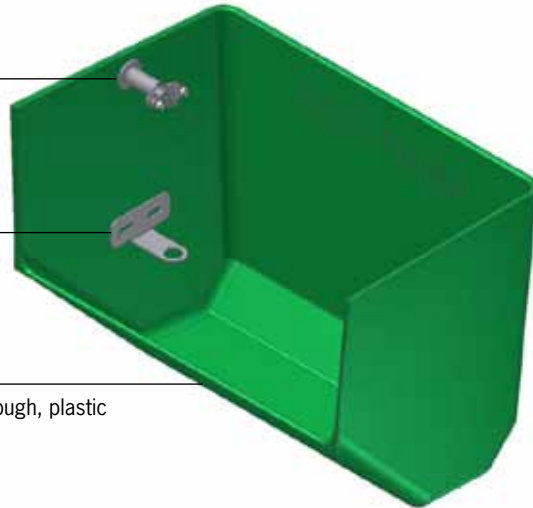
ACO Funki

Farrowing pen F207 BioForm Multi trough, plastic

2915424
Pipe fitting 1/2" RF

2950484
Fitting for
water pipe ST

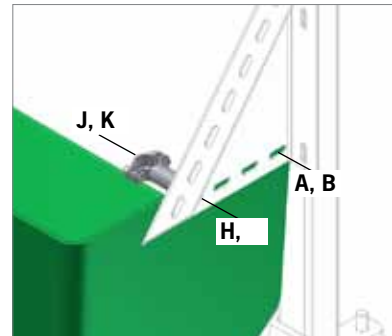
2960495
BioForm Multi trough, plastic



2115566
Farrowing rail F207

2920481
Flat steel bar

2960495
BioForm Multi trough, plastic



A 36308020
Mushroomheaded bolt ST M8x20

B 33508013
Nut ST M8

C 36308025
Mushroomheaded bolt ST M8x25

D 34908041
Coach screw ST M8x40

E 39900120
Wall plug 10 mm

F 30308070
Set screw M8x70 A2

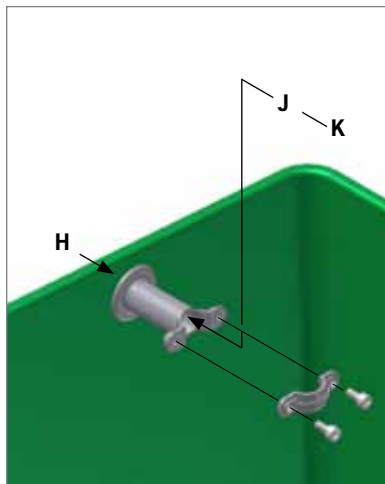
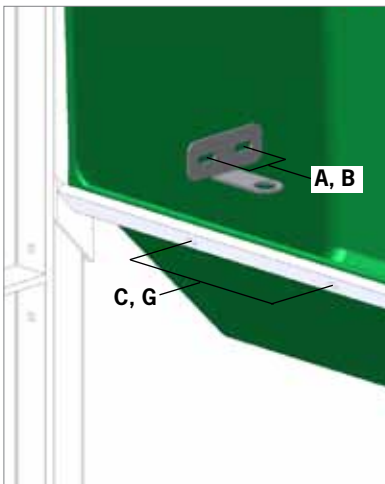
G 33208001
Cap nut ST M8

H 33908001
Lock nut ST M8

J 35600044
Star washer ST 8 mm

K 38508030
Hexagon socket screw ST M8x30

L 35600058
Nut washer ST M8



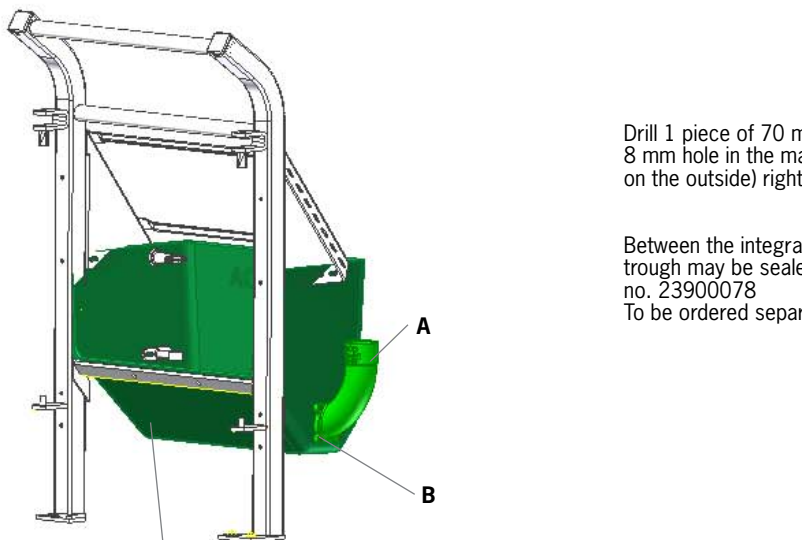
M-6149-10-GB



ACO Funki

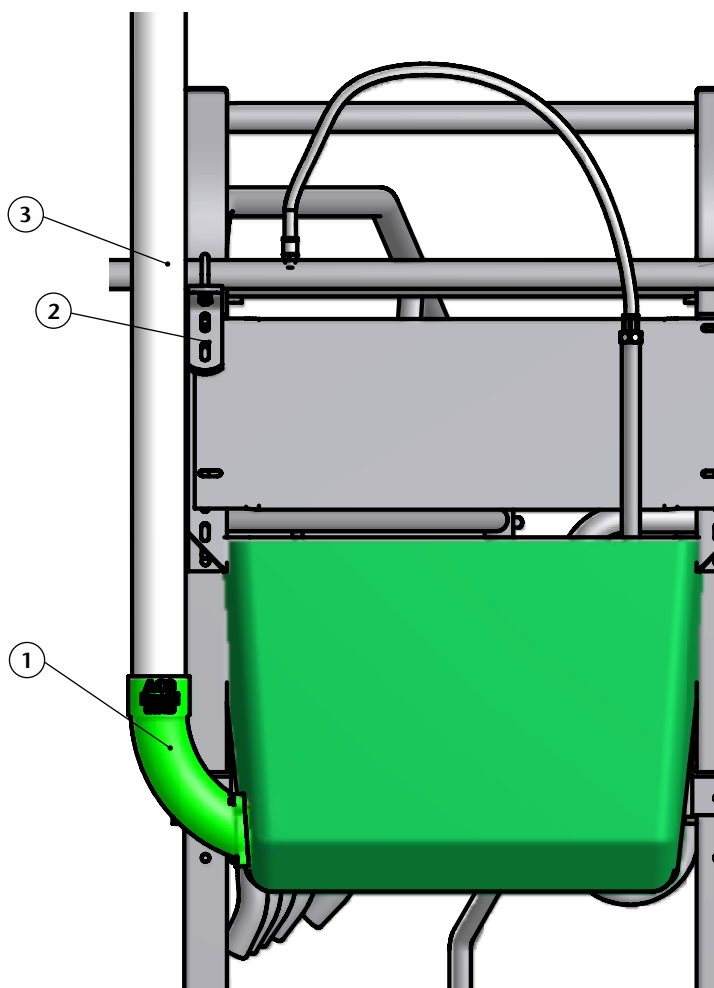
Faresti F207

BioForm Multi trough, with integrated outlet



Drill 1 piece of 70 mm and 4 pieces of 8 mm hole in the marked dots. (they are on the outside) right as of left.

Between the integrated downpipes and trough may be sealed with sikaflex part no. 23900078
To be ordered separately.



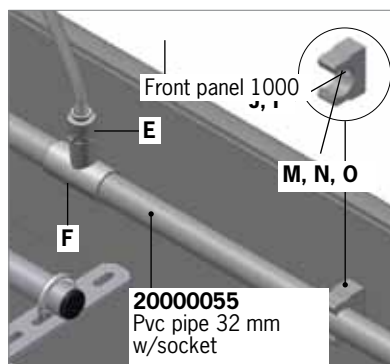
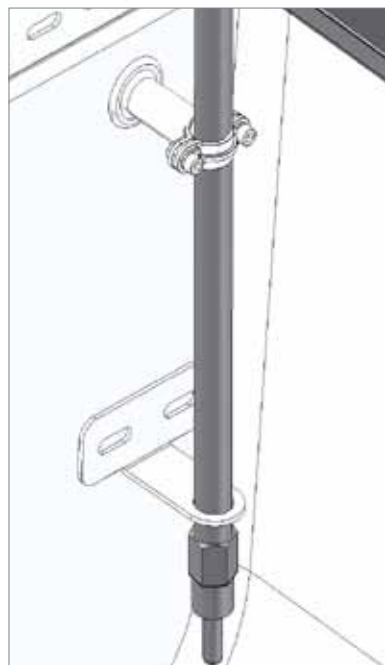
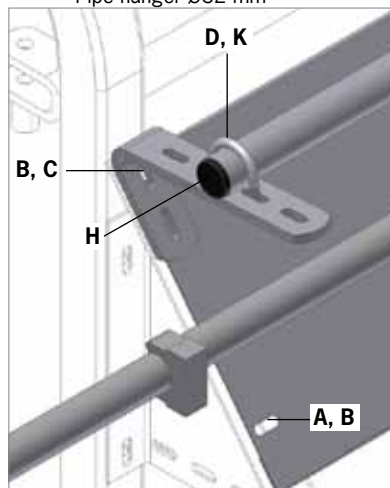
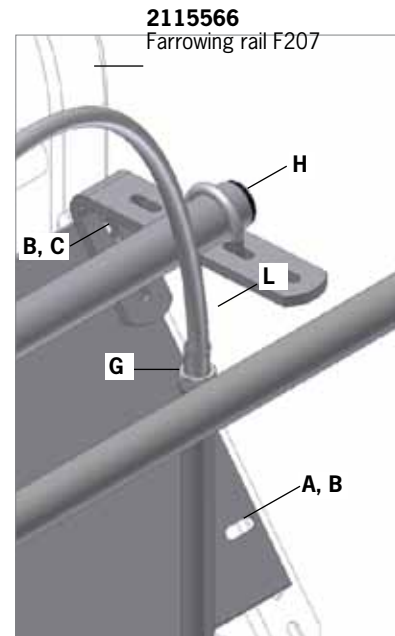
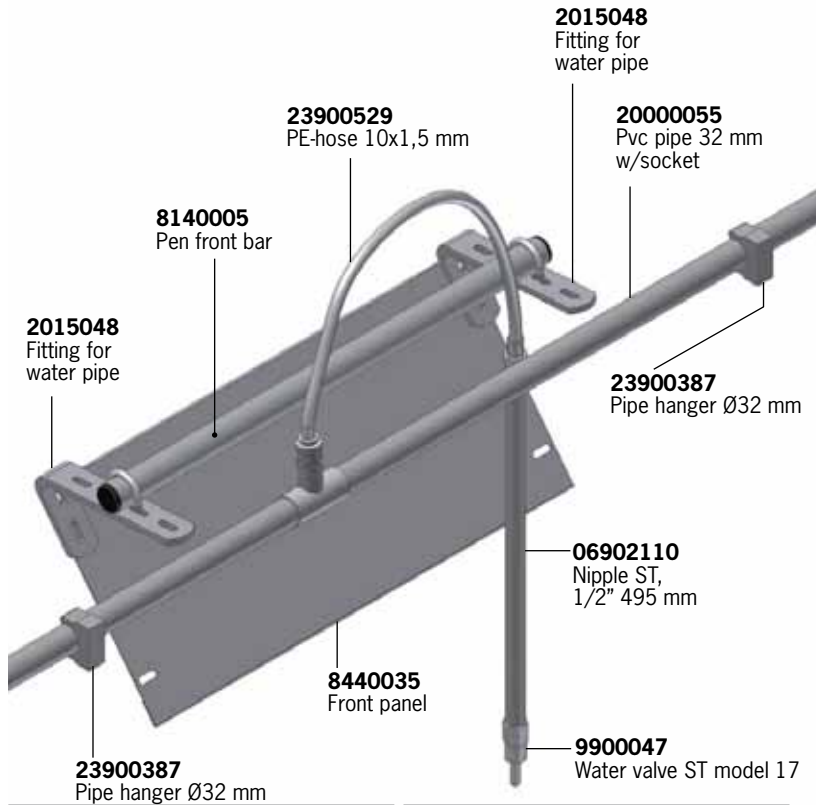
If they is to cast the concrete around the PVC pipe bend (pos.1) for the integrated outlet, install a pipe (pos. 3) in the outlet and apply a temporary shim in 5 - 10 mm thickness between the pipe and the pipe fittings (pos. 2) so that the pipe and outlet is in the correct position.

A	0300-259 Integrated outlet
B	39106020 Torx screw ST M6x20

ACO Funki

Farrowing pen F207

Pvc water supply, dry feeding, rear access



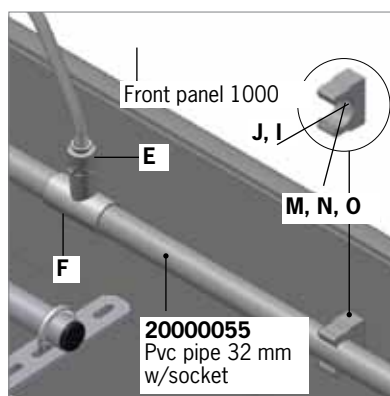
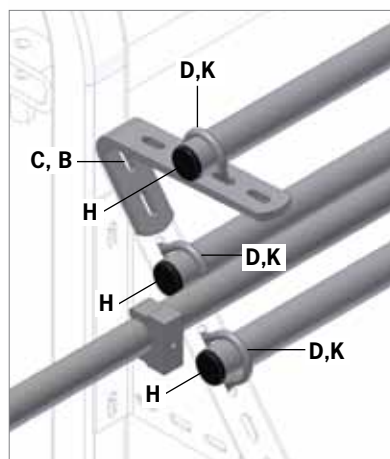
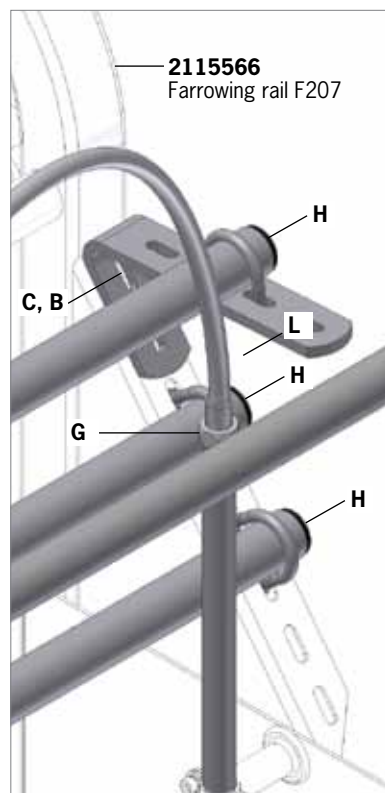
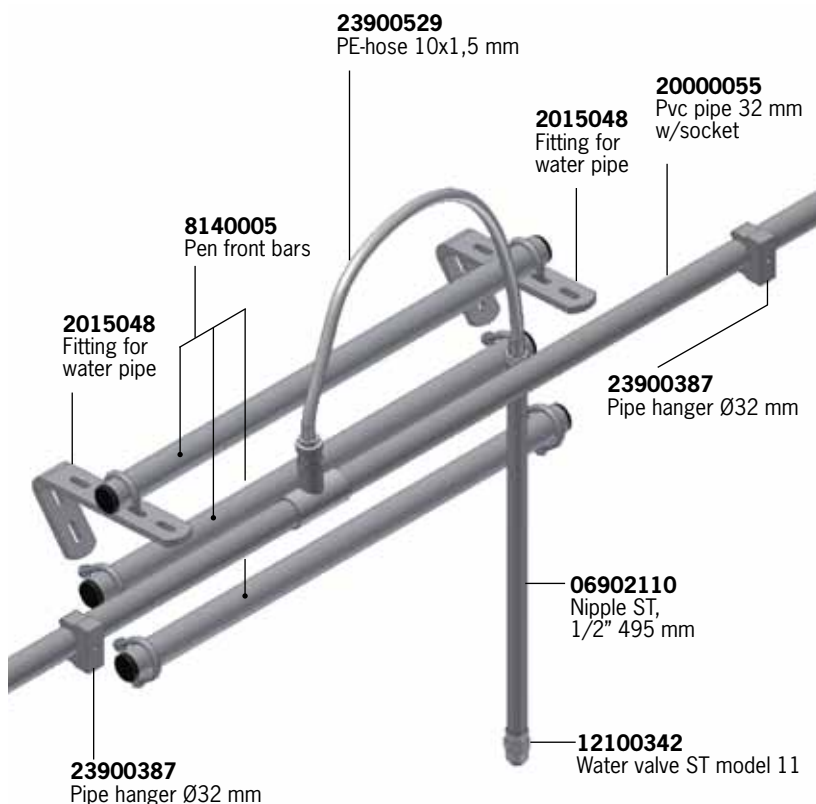
A	36308020 Mushroomheaded bolt ST M8x20
B	33508013 Nut ST M8
C	36308025 Mushroomheaded bolt ST M8x25
D	90100049 U-bolt 1" galv.
E	23900523 Aquaspeed 10mmx1/2"
F	23900347 Tee pvc 32 mmx1/2"x32 mm
G	23900504 Aquaspeed 15mm1/2"
H	9960006 Cap
I	34905060 Chipboard screw FZB M5x60 TX
J	9961004 Wall plug 6x30 mm
K	33208014 Nut M8 FZV
L	23900534 Aquaspeed 15mm/10mm
M	38905050 Umbraco screw FZB M5x50
N	35600088 Nut washer FZB M6 1/4"
O	33205008 Nut FZB M5

M-6149-12-GB



Farrowing pen F207

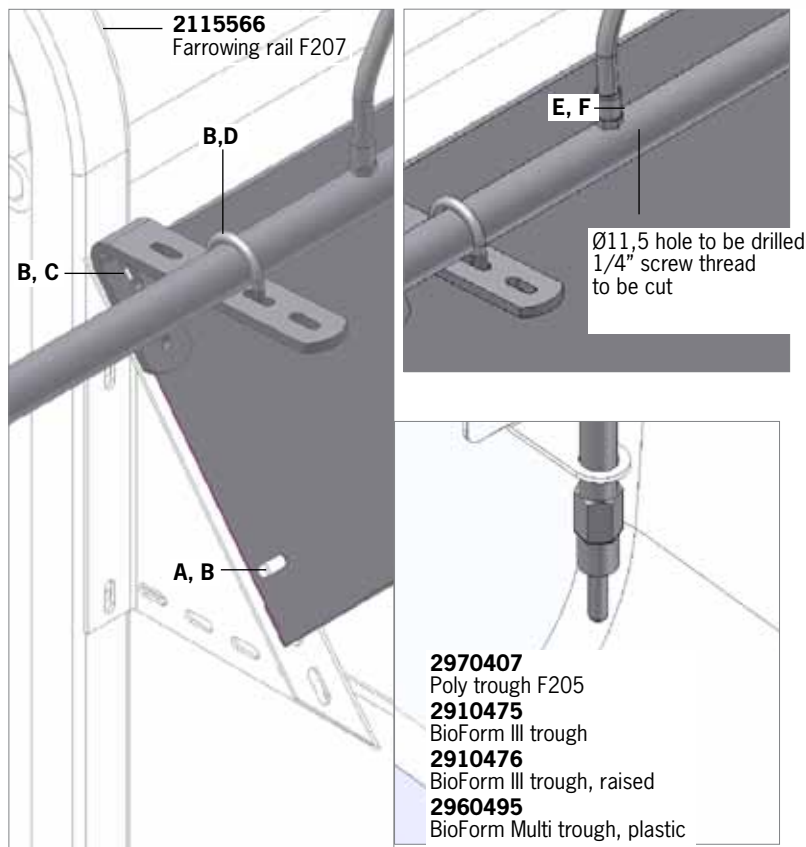
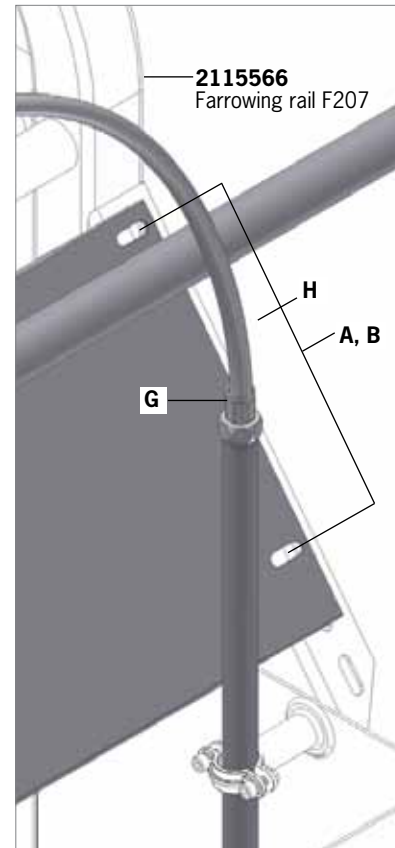
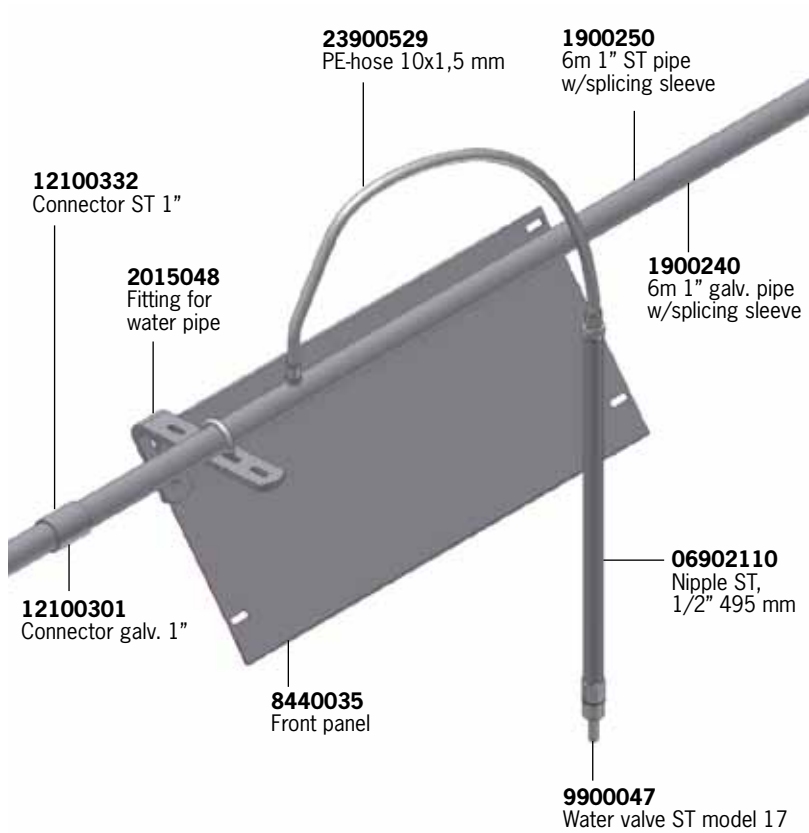
Pvc water supply, liquid feeding, rear access



B	33508013 Nut ST M8
C	36308025 Mushroomheaded bolt ST M8x25
D	90100049 U-bolt 1" galv.
E	23900523 Aquaspeed 10mmx1/2"
F	23900347 Tee pvc 32 mmx1/2"x32 mm
G	23900504 Aquaspeed 15mm1/2"
H	9960006 Cap
I	34905060 Chipboard screw FZB M5x60 TX
J	9961004 Wall plug 6x30 mm
K	33208014 Nut M8 FZV
L	23900534 Aquaspeed 15mm/10mm
M	38905050 Umbraco screw FZB M5x50
N	35600088 Nut washer FZB M6 1/4"
O	33205008 Nut FZB M5

Farrowing pen F207

Water supply, dry feeding, rear access

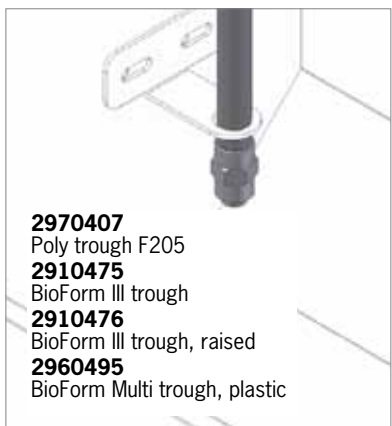
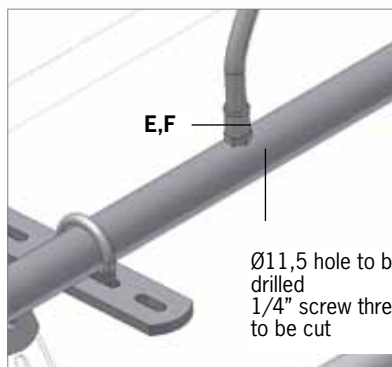
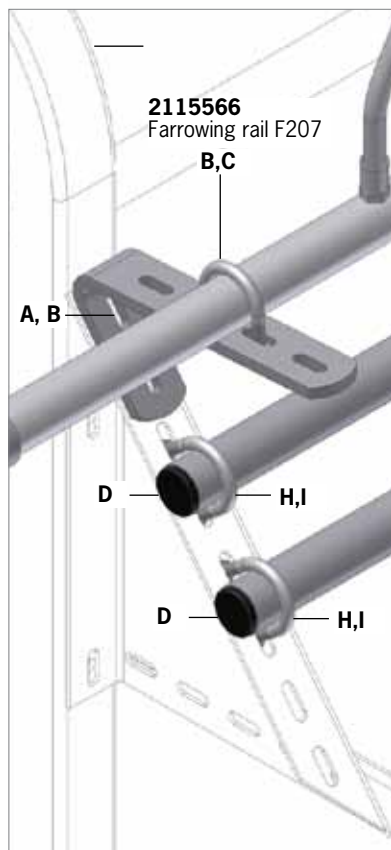
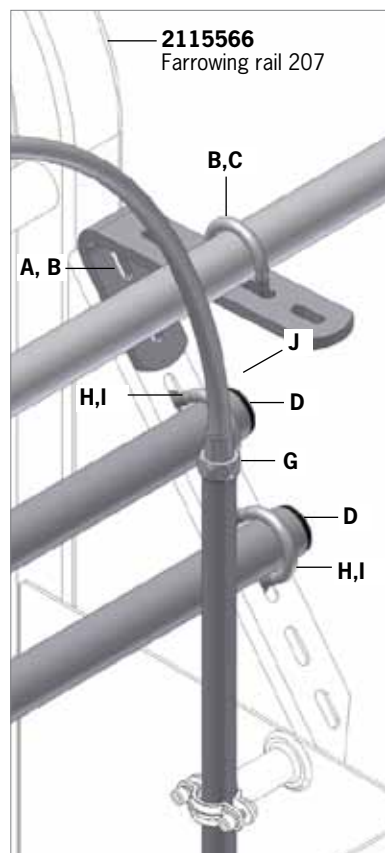
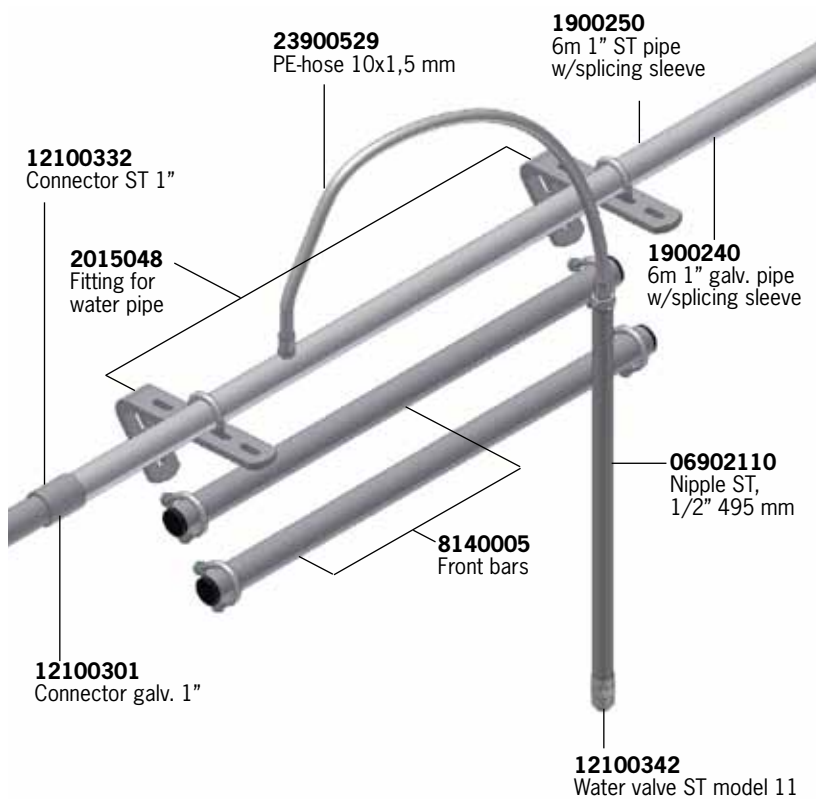


A	36308020 Mushroomheaded bolt ST M8x20
B	33508013 Nut ST M8
C	36308025 Mushroomheaded bolt ST M8x25
D	90100062 U-bolt 1" ST
E	12100349 Nipple ST 1/4"-1/4"
F	23900524 Aquaspeed 10 mmx1/4"
G	23900504 Aquaspeed 15 mmx1/2"
H	23900534 Aquaspeed 15mm/10mm

ACO Funki

Farrowing pen F207

Water supply, liquid feeding, rear access



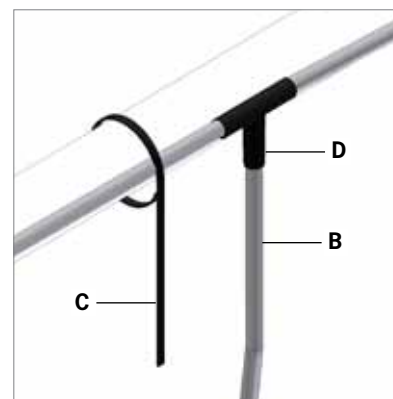
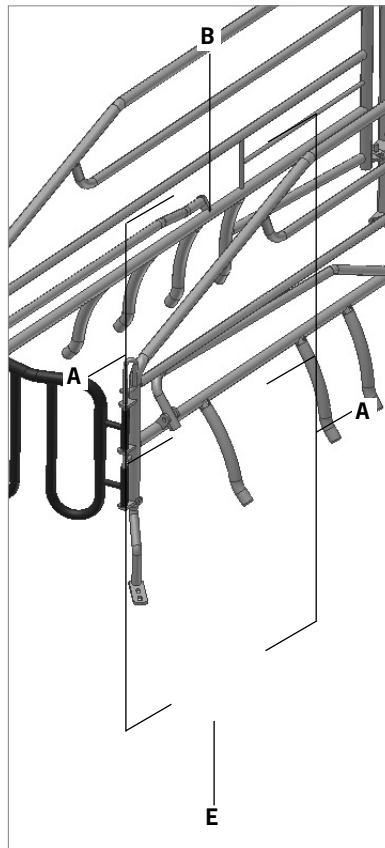
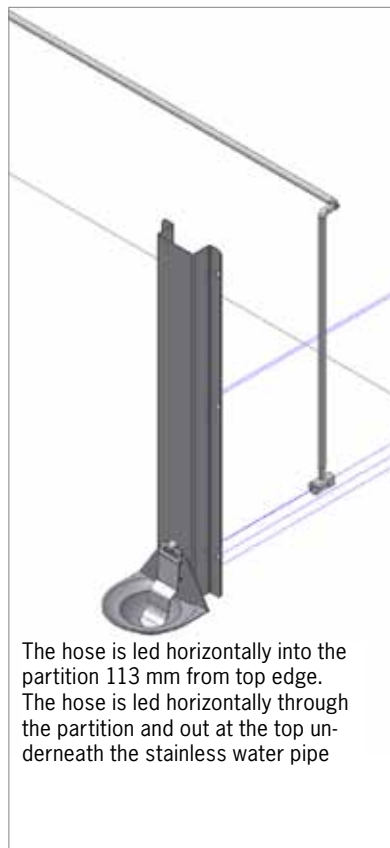
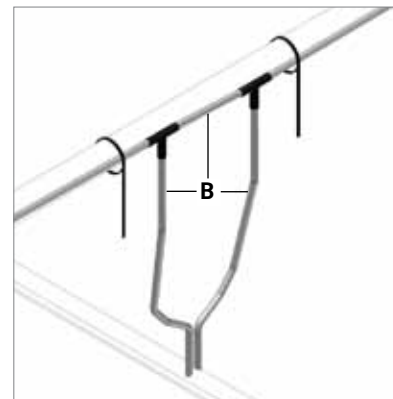
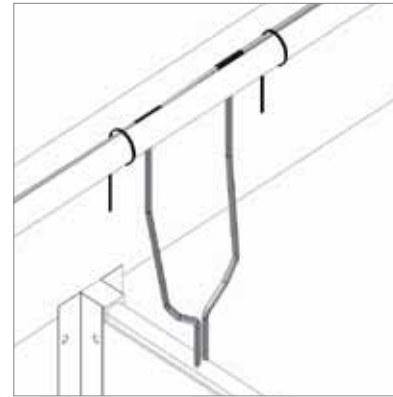
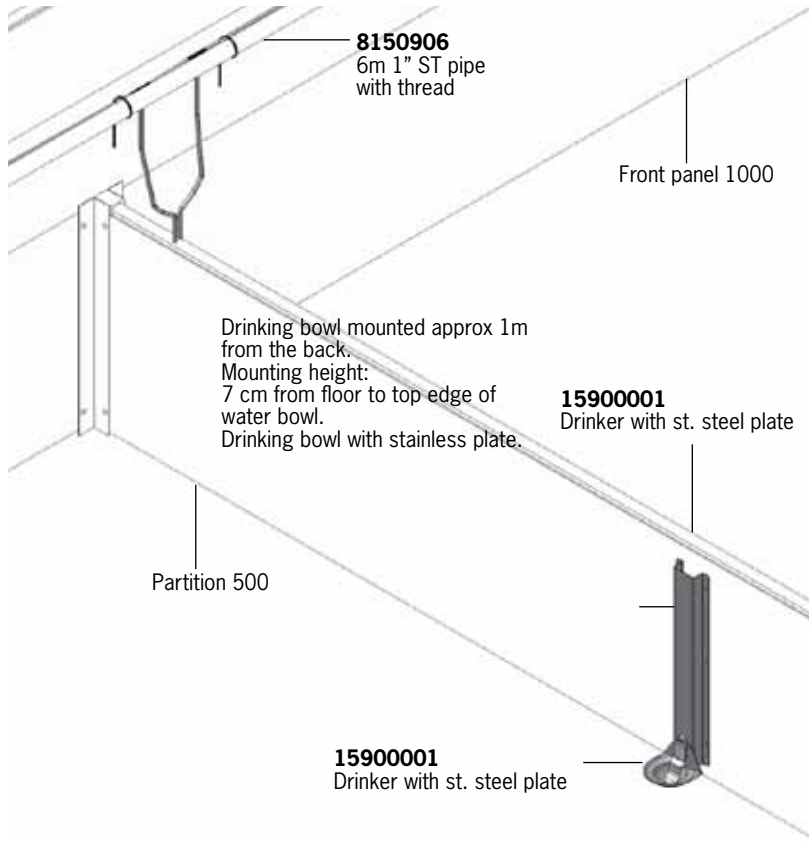
A	36308025 Mushroomheaded bolt ST M8x25
B	33508013 Nut ST M8
C	90100062 U-bolt" ST 1"
D	9960006 Cap
E	12100349 Nipple ST 1/4"-1/4"
F	23900524 Aquaspeed 10 mmx1/4"
G	23900504 Aquaspeed 15mm1/2"
H	90100049 U-bolt 1" galv.
I	33208014 Nut M8 FZV
J	23900534 Aquaspeed 15mm/10mm

M-6149-15-GB



Farrowing pen F207

Water supply, piglets, rear access

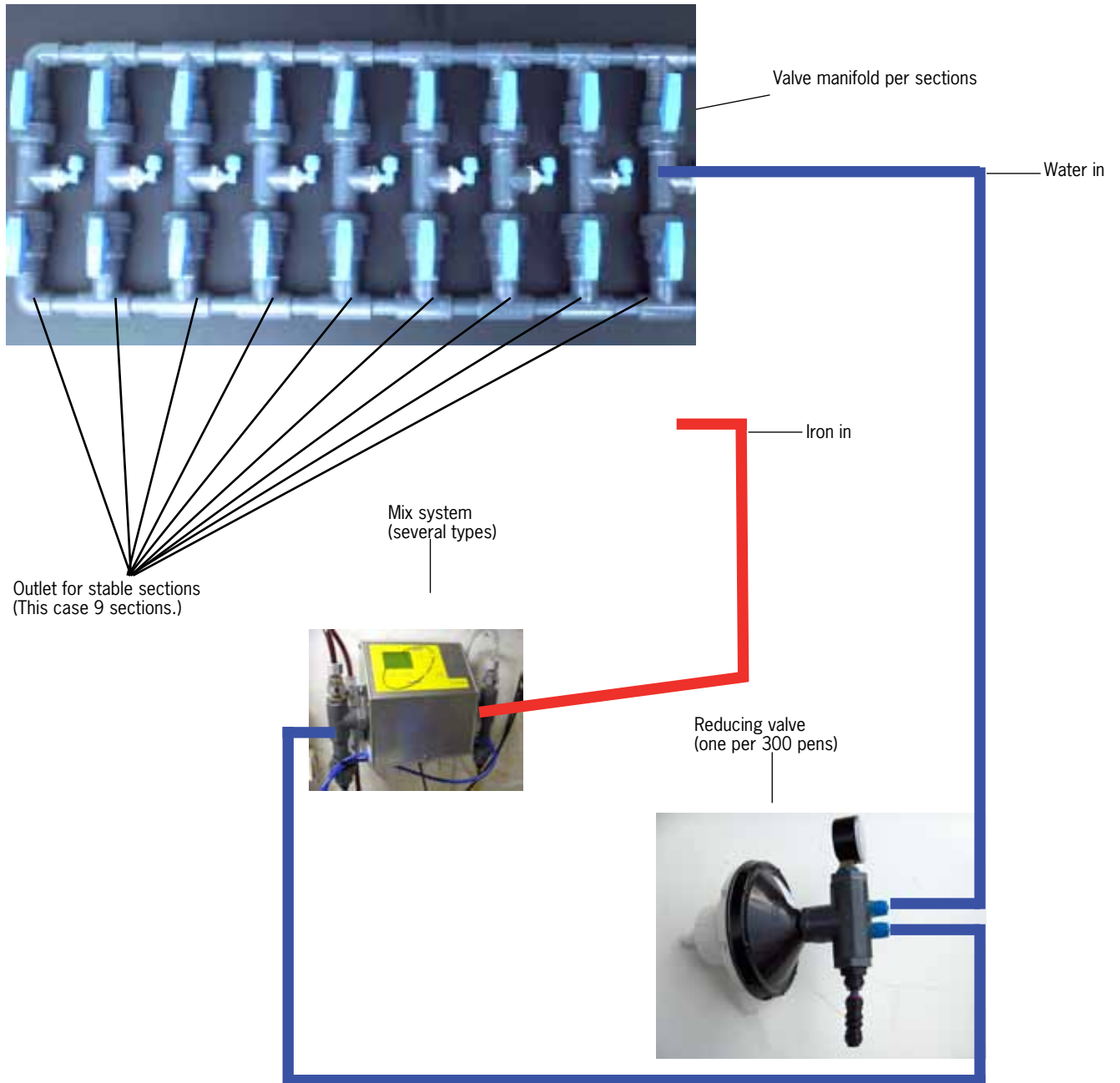


A	Tailstock screw
B	Hose 8 mm
C	Strips
D	Tee
E	Boss for drinker

ACO Funki

Faresti F207

Additived system for water supply, piglets, rear access



Reducing valve is conneted to a mains pressur of ½" socket (Max 3 Bar)

A central place in the stable.

The blue output is for water mix system and clean water string.

If valve manifold /mix system is not used, merged the blue output with 8 mm y-pieces.

Black output must not be connected. Vaccum light valve prevents the siphon effect.