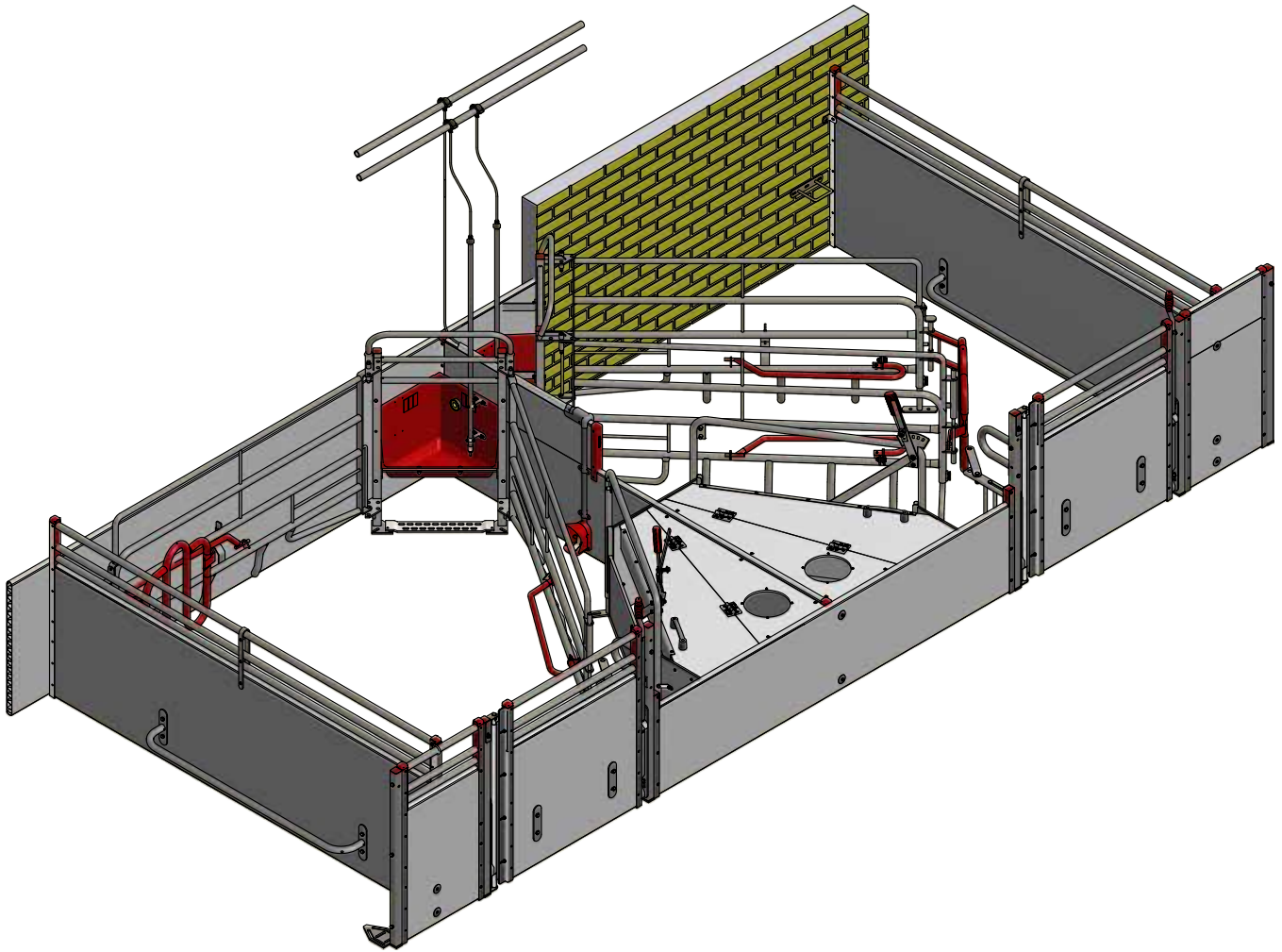


|M-6178-GB|

MOUNTING INSTRUCTION



WELSAFE FLEX

Farrowing pen with flex nest



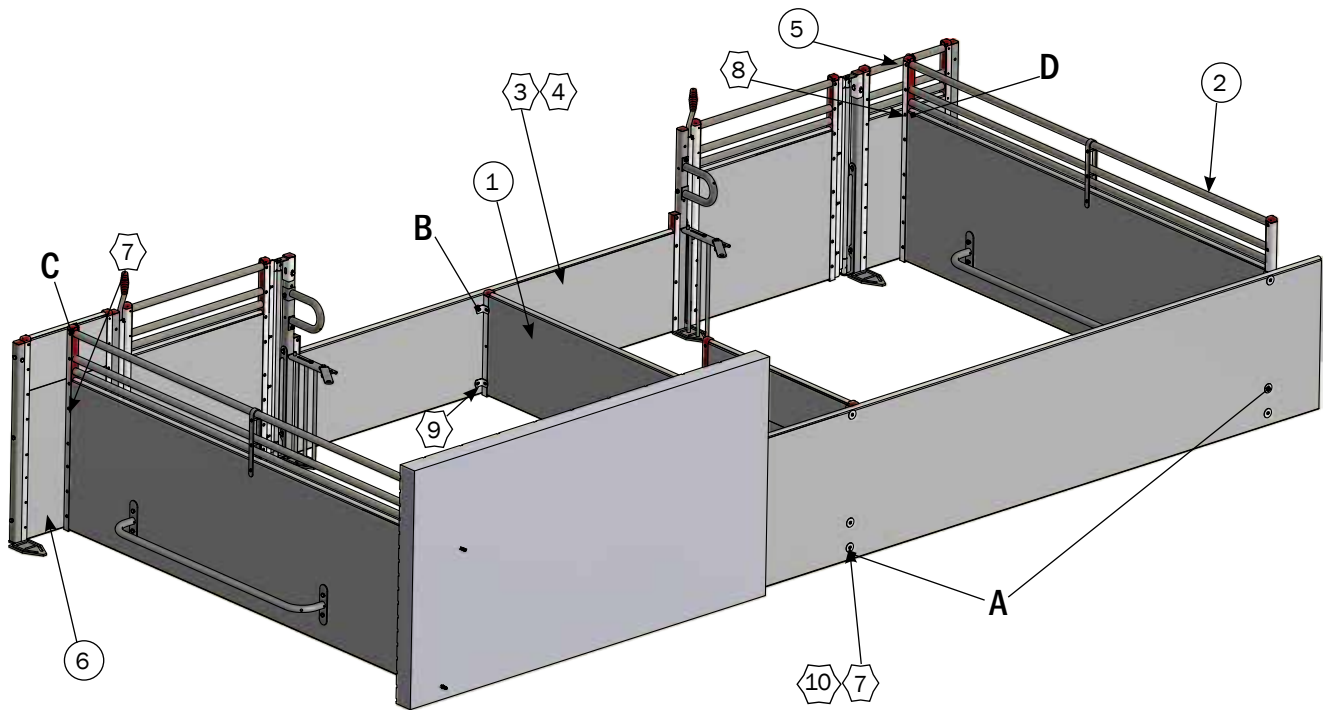
ACO FUNKI A/S
Kirkevænget 5
DK-7400 Herning

Tel. +45 9711 9600
www.acofunki.com
www.egebjerg.com

Danish Design | German Quality | Global Experience

WELSAFE FLEX PEN WITH LOW POSTS

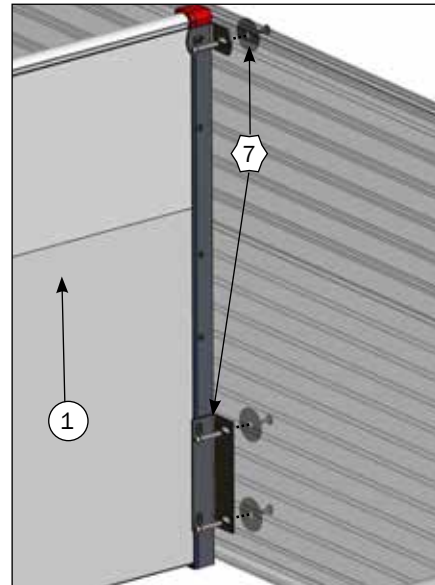
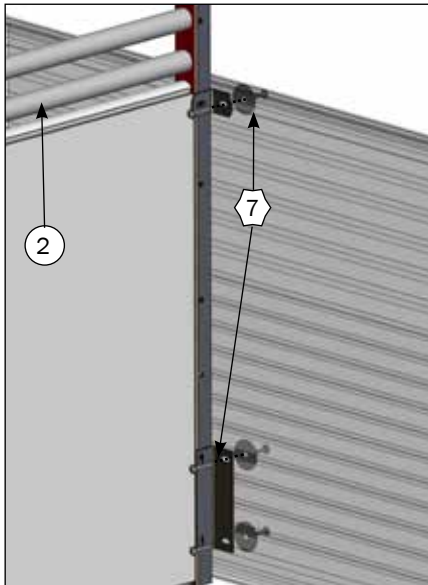
Middle partitions mounting to the front partitions and panel wall



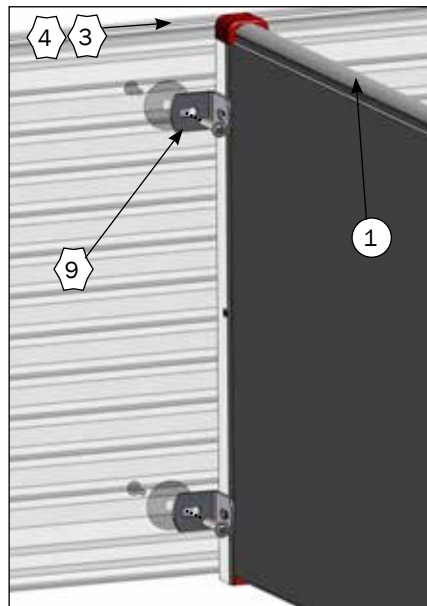
Nº	QTY.	Part Nº	Description
1	1	2710211	SIDE H50/75 BOARDPROFILE, UPROROFIL/UPROFILE, VARIABLE MAX. 2560 MM - MIN. 2360 MM
2	1	2710255	SIDE H100, BOARDPROFILE/3 PIPE, UPROFILE/UPROFILE AGAINST FRONT
3	1	2700276	FRONT PART DOUBLE PIGLET NEST WITH LOW POSTS, WITHOUT BRACKET FOR DOOR
4	-	2700277	FRONT PART PIGLET NEST AGAINST WALL WITH LOW POST, WITHOUT BRACKET FOR DOOR
5	1	2710250	FRONT PART H100 PANEL/3 BARS FOR POST, OPPOSITE PIGLET NEST
6	1	2710274	FRONT PART H100 PANEL FOR POSTS, OPPOSITE PIGLET NEST
7	1	38526	MOUNT KIT F/UPOST AGAINST FRONT PART BOARDPROFILE
8	1	38527	MOUNT KIT F/U-POST AGAINST FRONT PART BOARDPROFILE/BARS
9	1	38518	MOUNT KIT F/U-POST H50 SINGLE IN BOARDPROFILE
10	-	38530	MOUNT KIT F/UPOST DOUBLE AGAINST PANELWALL

FOR MOUNTING OF FLEX NEST PIGLET NEST, LOOK AT MOUNTING INSTRUCTION M-6228.

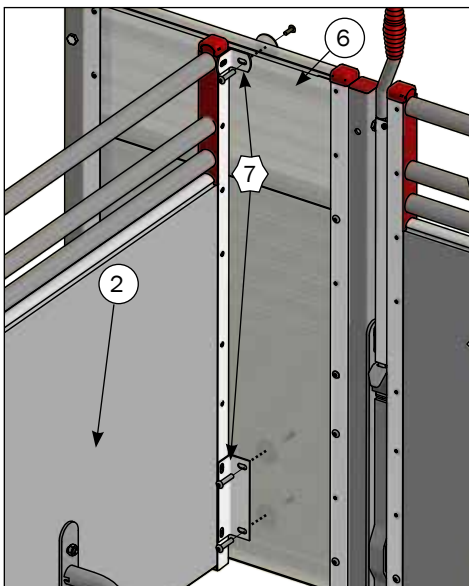
A



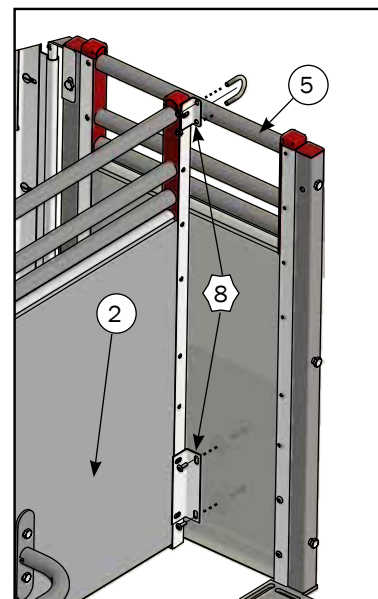
B



C

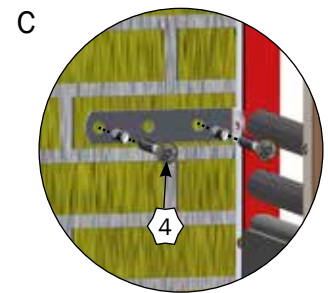
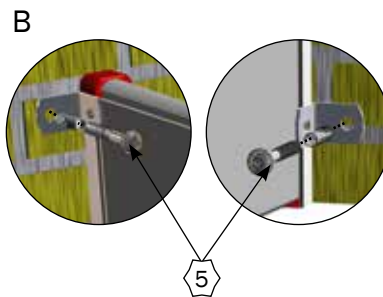
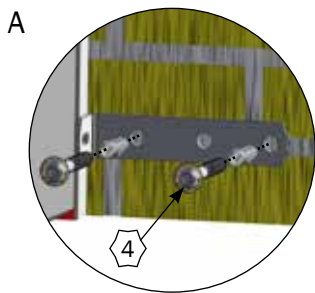
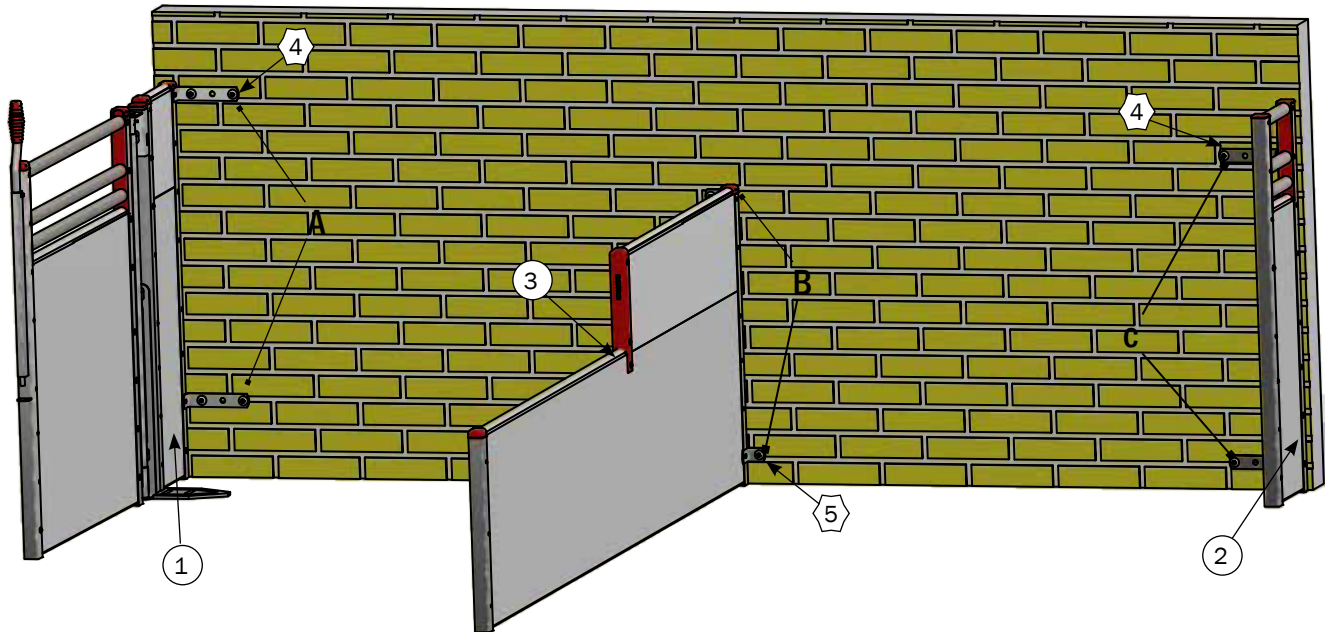


D

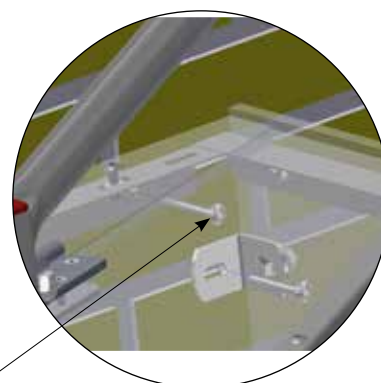
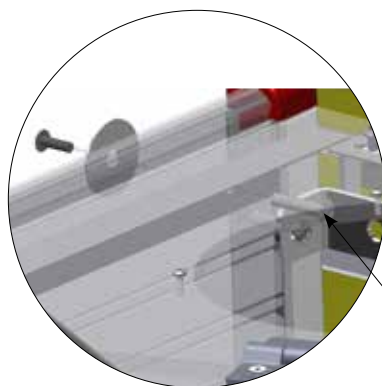
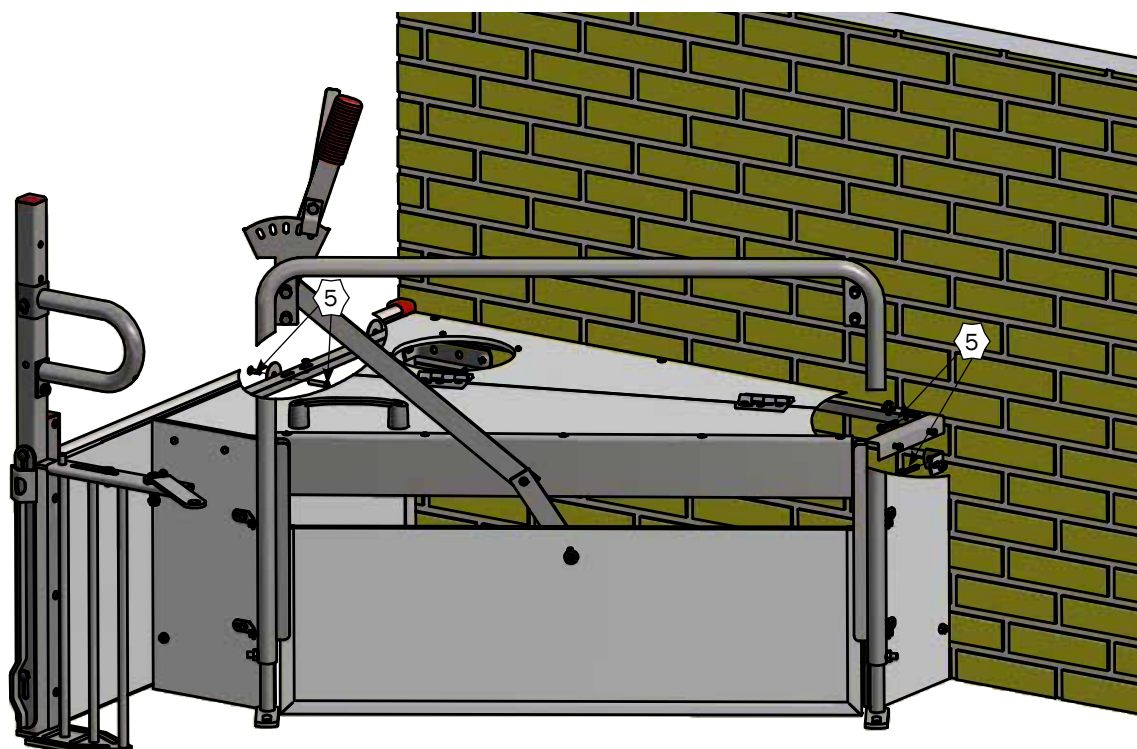


WELSAFE FLEX PEN WITH LOW POSTS

Partitions mounting to the wall



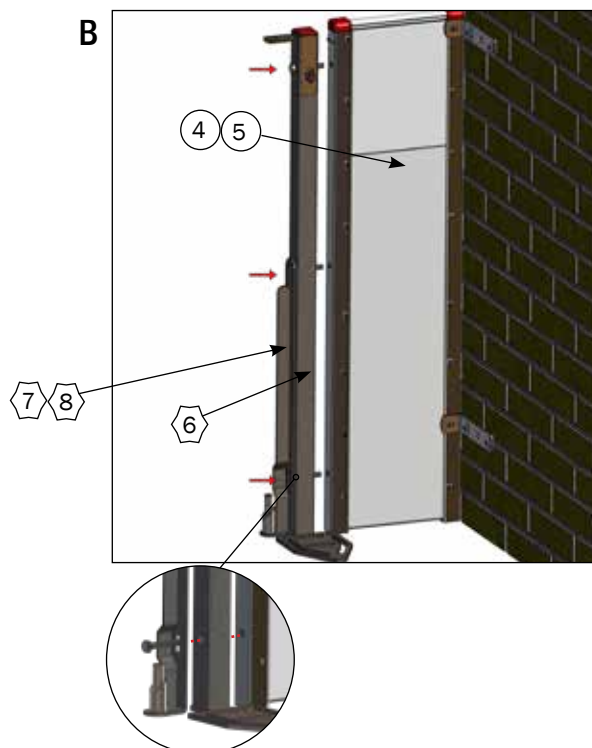
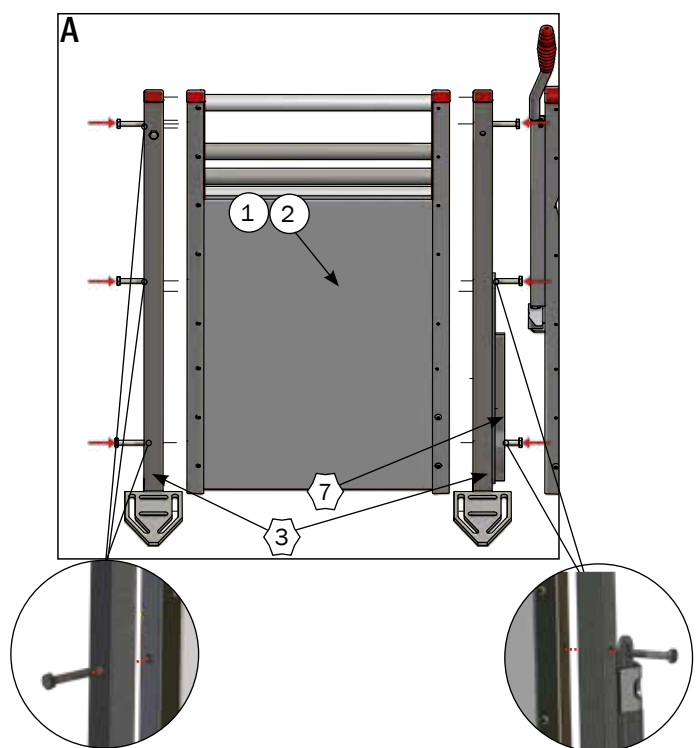
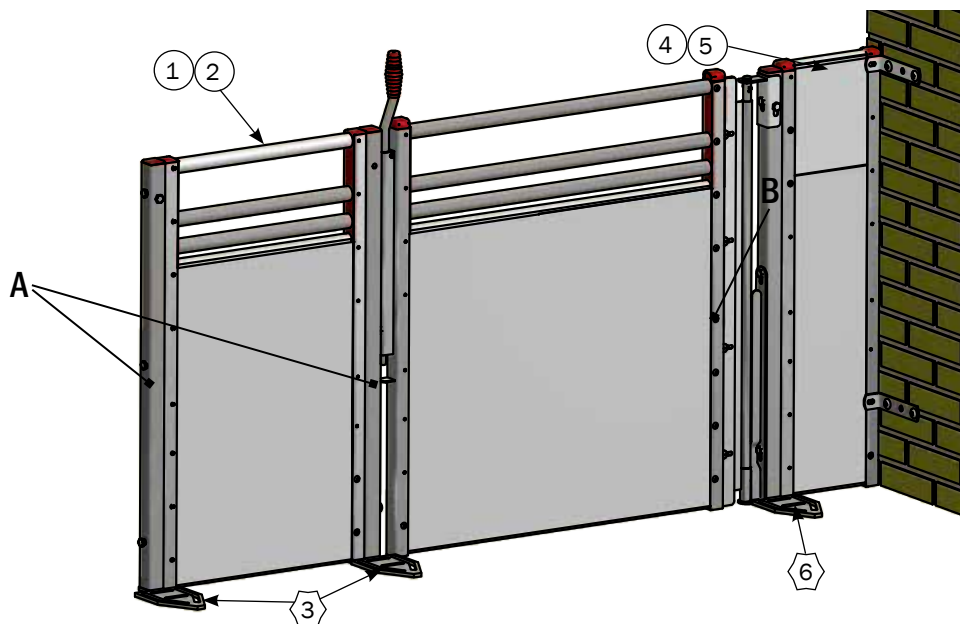
Nº	QTY.	Part Nº	Description
1	1	2710283	FRONT PART H100 PANEL FOR POST, OPPOSITE PIGLET NEST, AGAINST WALL
2	1	2710284	FRONT PART H100 PANEL/3 BARS FOR POST, OPPOSITE PIGLET NEST, AGAINST WALL
3	1	2710211	SIDE H50/75 BOARDPROFILE, UPROROFIELD/UPROFILE, VARIABLE MAX. 2560 MM - MIN. 2360 MM
④	2	38519	MOUNTING KIT FOR FRONT PART AGAINST WALL
⑤	1	38520	MOUNT KIT FOR U-POST AGAINST WALL



5

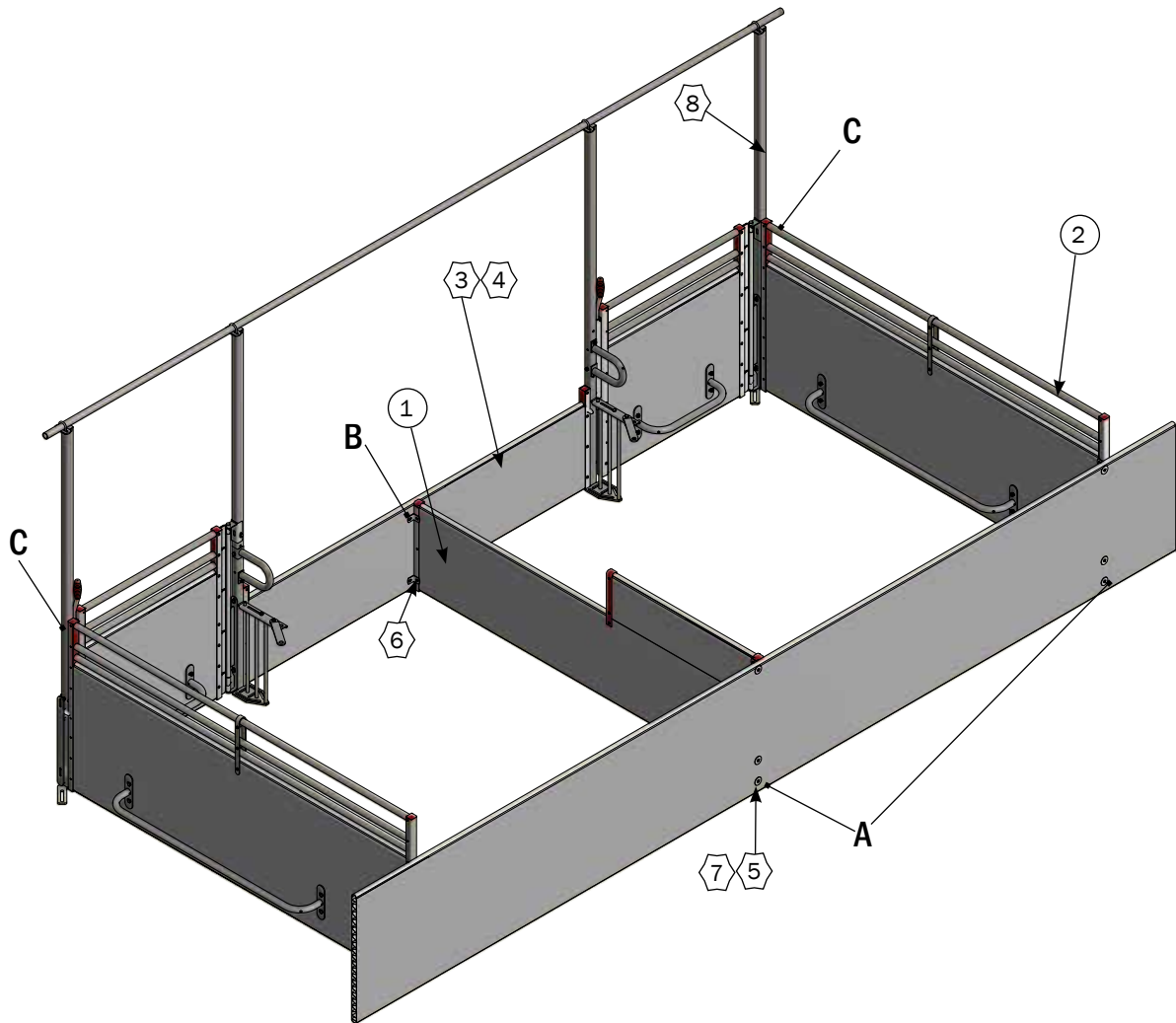
WELSAFE FLEX PEN WITH LOW POSTS

Low posts mounting



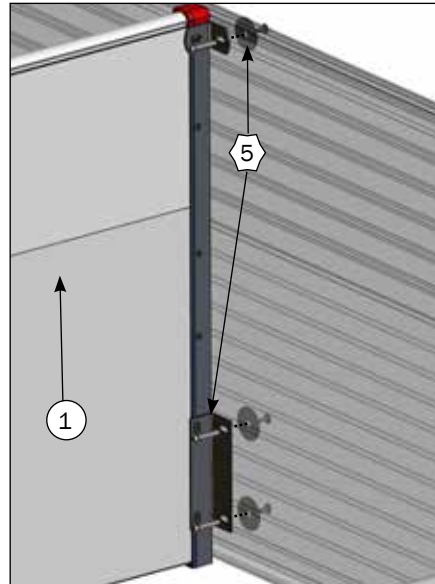
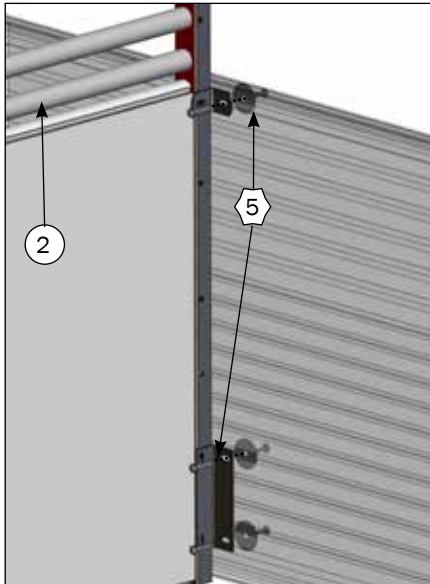
Nº	QTY.	Part Nº	Description
1	1	2710250	FRONT PART H100 PANEL/3 BARS FOR POST, OPPOSITE PIGLET NEST
2	1	2710274	FRONT PART H100 PANEL FOR POSTS, OPPOSITE PIGLET NEST
③	1	2700275	2 LOW POSTS INCL.BOLTS FOR FRONT PART OPPOSITE PIGLET NEST
4	1	2710283	FRONT PART H100 PANEL FOR POST, OPPOSITE PIGLET NEST, AGAINST WALL
5	1	2710284	FRONT PART H100 PANEL/3 BARS FOR POST, OPPOSITE PIGLET NEST, AGAINST WALL
⑥	1	2700284	STOLPE FOR FORSTYKKE MOD MUR INKL. BOLTE
⑦	1	2700278	MONTAGE SÆT FOR LÅGE MED PLØK
⑧	1	2700279	MONTAGE SÆT FOR LÅGE MED TWIST

Middle partitions mounting to the high posts and panel wall

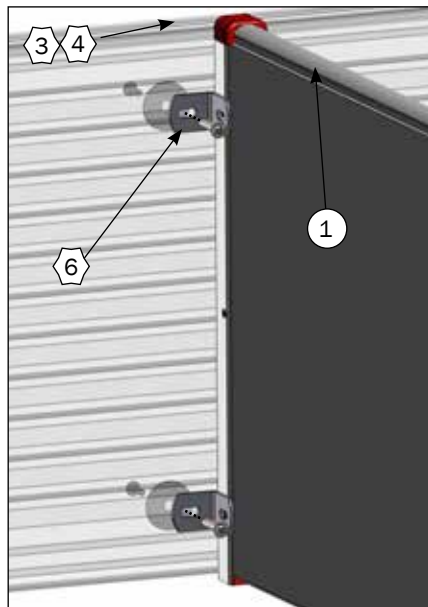


Nº	QTY.	Part Nº	Description
1	1	2710211	SIDE H50/75 BOARDPROFILE, UPROROFIL/UPROFIL, VARIABLE MAX. 2560 MM - MIN. 2360 MM
2	1	2710271	SIDE H100 PANEL/3 BARS FOR HIGH POST
3	1	2700272	FRONT PART DOUBLE PIGLET NEST AGAINST WALL W/HIGH POST, WITHOUT BRACKET FOR DOOR
4	-	2700273	FRONT PART PIGLET NEST AGAINST WALL W/HIGH POST, WITHOUT BRACKET FOR DOOR
5	1	38526	MOUNT KIT F/UPOST AGAINST FRONT PART BOARDPROFILE
6	1	38518	MOUNT KIT F/U-POST H50 SINGLE IN BOARDPROFILE
7	-	38530	MOUNT KIT F/UPOST DOUBLE AGAINST PANELWALL
8	1	2700055	HIGH POST FOR PARTITION, INCL BOLTS

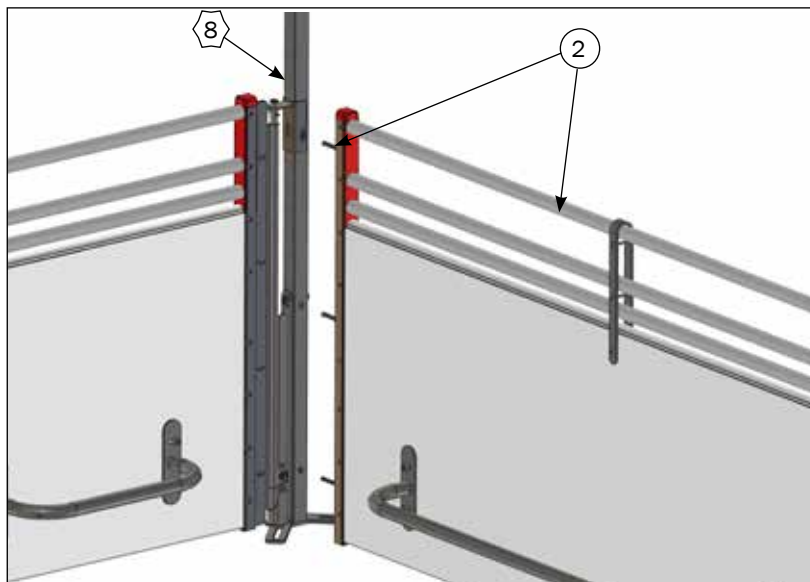
A



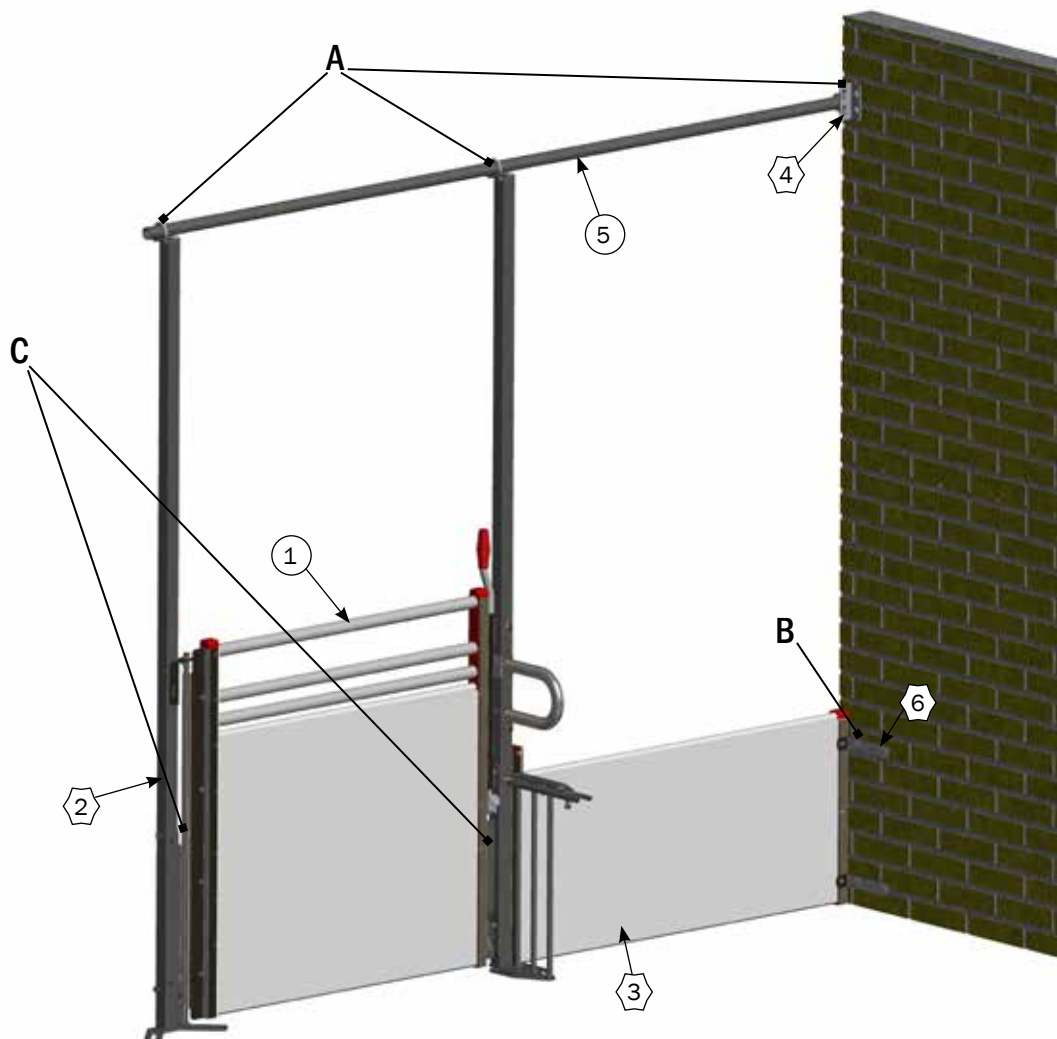
B



C

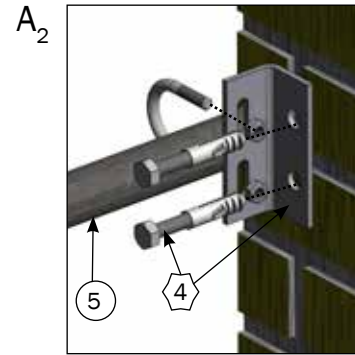
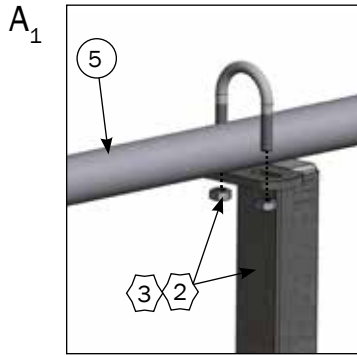


High posts and stabilizing pipe mounting

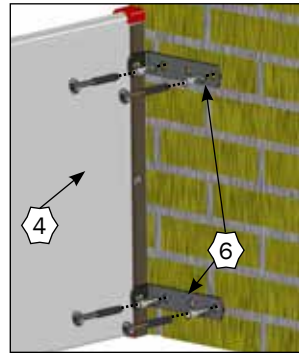


Nº	QTY.	Part Nº	Description
1	1	2710280	DOOR H100 PANEL/3 BARS 90-130CM WITH PIN LOCK
2	1	41999	DOOR H100 BOARDPROFILE/3 BARS100-130 CM WITH TWIST LOCK
3	1	2700055	HIGH POST FOR PARTITION, INCLBOLTS
4	1	2700273	FRONT PART PIGLET NEST AGANIST WALL W/HIGH POST, WITHOUT BRACKET FOR DOOR
5	1	3900019	FITTING FOR WATERPIPE
6	0,5m	1900240	PIPE 1" GALVANIZED, 6 METER WSPlicing SLEEVE, PRICE PER METER, LENGTH 6 METER
7	1	38519	MOUNTING KIT FOR FRONT PART AGAINST WALL
8	1	2700278	MOUNTING KIT FOR DOOR WITH PIN LOCK
9	1	2700279	MOUNTING KIT FOR DOOR WITH TWIST LOCK

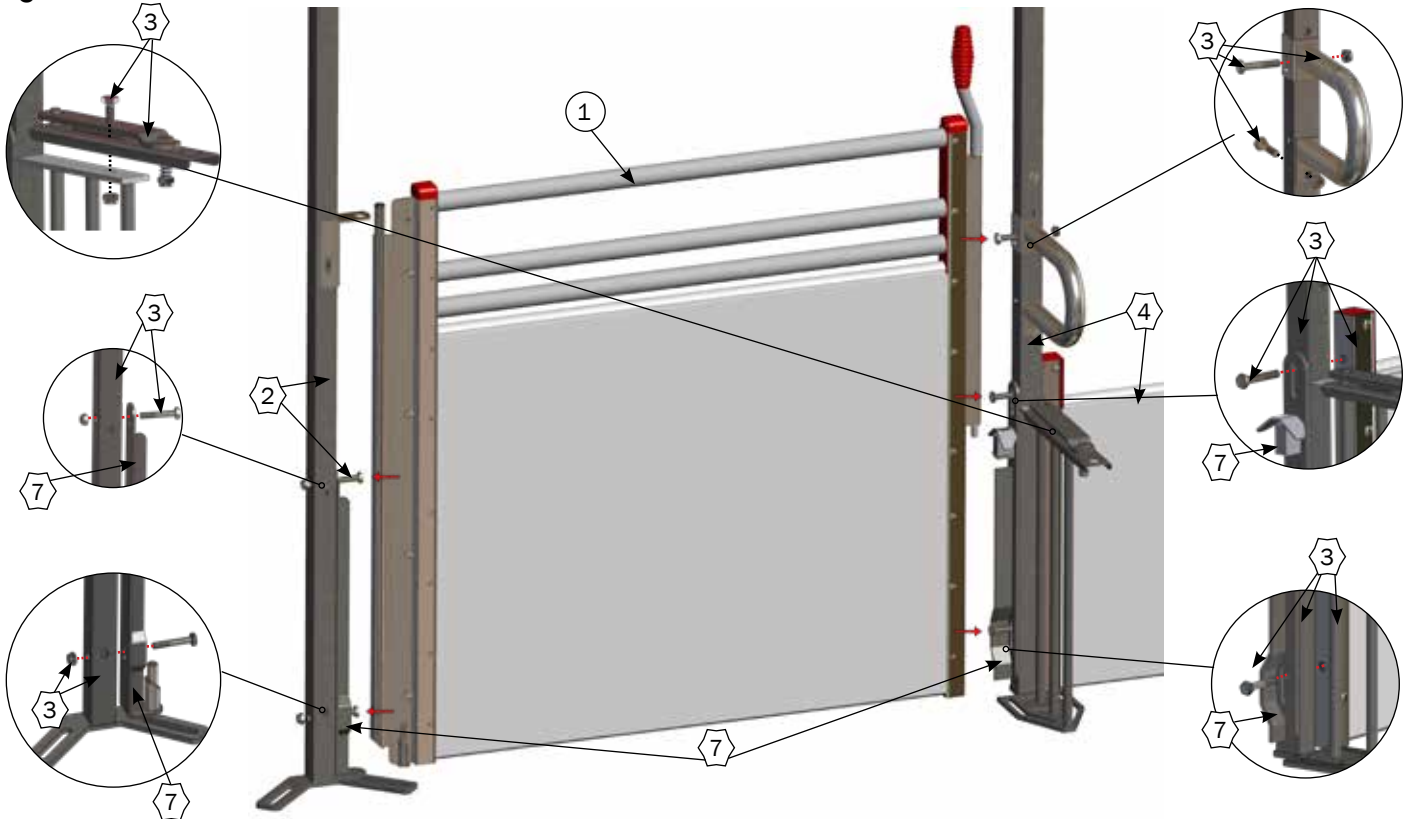
A

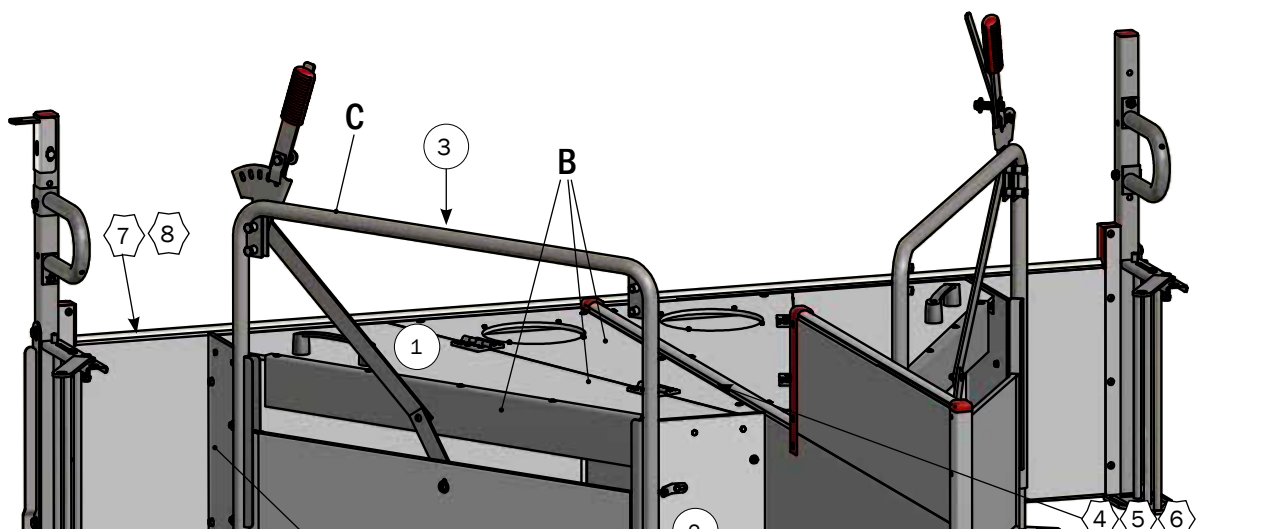


B



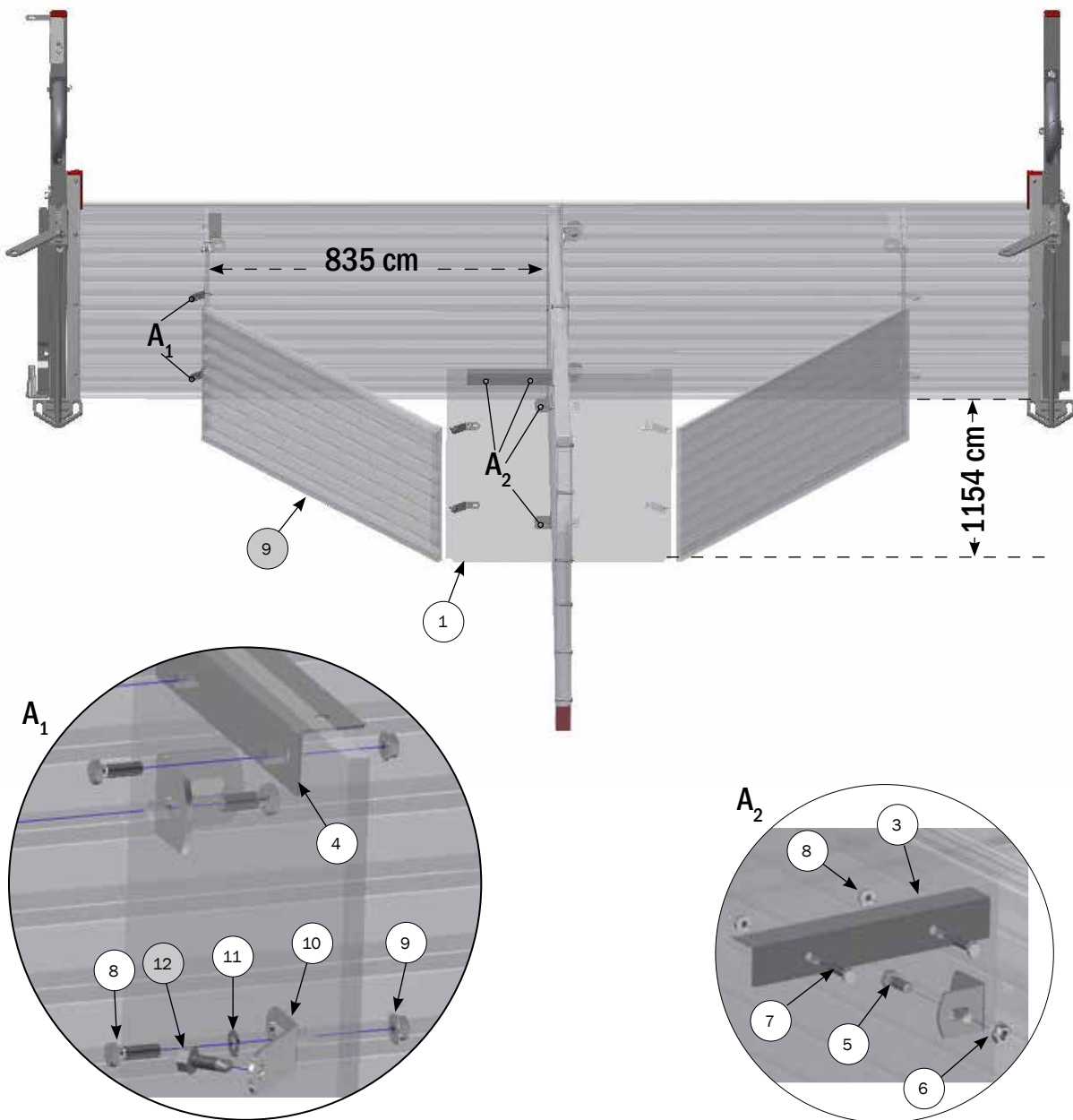
C





No	QTY.	Part No	Beskrivelse	2700065 Venstre	2700067 Højre
1	1	2700065	PIGLETS NEST LEFT		
2	1	2700067	MOUNTING KIT FOR SINGEL PIGLET COVER AGAINST PLASTIC WALL		
1	1	41987	SIDE H50 LEFT CLIMATE WELSAFE	x	
2	1	2710011	SIDE H50 W/ADJUST LEVER LEFT CLIMATE WELSAFE	x	
3	1	2720021	LEVER ARM, LEFT WELSAFE	x	
4	1	8860065	COVER FOR PIGLETS NEST, LEFT	x	
5	1	44501	HANDLE OPEN.BR. BLOCKING PLATE WELSAFE	x	x
6	1	59444	HANDLE FOR OPENING LEVER	x	x
7	1	58535	SPRING 1.5 X 15 X 45.5 MM	x	x
8	1	30308050	SET SCREW M8X50 A2 DIN 933	x	x
9	7	33908001	LOCK NUT M8 A2 DIN 985	x	x
10	2	30308025	SET SCREW M8X25 A2 DIN 933	x	x
11	3	35600058	NUT WASHER Ø8X8,4/24/2 A2 DIN9021	x	x
12	1	44605	BLOCKING PLATE FOR CLIMATE WELSAFE	x	x
13	1	44502	HINGEPART FOR OPEN. BRACKET WELSAFE	x	x
14	2	20037	MASTER CLAMP WASHER Ø10.5/45	x	x
15	1	67352	BUTTON HEAD 8 X 40 MM ISO 7380 AISI 304	x	x
16	1	9960013	BLACK PLASTIC HANDGRIB,	x	x
17	2	38308045	HEXAGON SOCKET SCREW M8X65 CHA2 DIN 912	x	x
18	1	41989	SIDE H50 RIGHT CLIMATE WELSAFE		x
19	1	2710012	SIDE H50 W/ADJUST LEVER RIGHTCLIMATE WELSAFE		x
20	1	2720020	LEVER ARM, RIGHT WELSAFE		x
21	1	8860066	COVER FOR PIGLETS NEST, RIGHT		x
3	1	2700068	MOUNTING KIT FOR DOUBLE PIGLET COVER AGAINST PLASTIC WALL		
4	-	2700067	MOUNTING KIT FOR SINGEL PIGLET COVER AGAINST PLASTIC WALL		
5	-	2700069	MOUNTING KIT FOR SINGLE PIGLET COVER AGAINST WALL/PLASTIC WALL		
6	1	2700276	FRONT PART DOUBLE PIGLET NESTWITH LOW POSTS, WITHOUT BRACKET FOR DOOR		
7	-	2700277	FRONT PART PIGLET NEST AGAINST WALL WITH LOW POST, WITHOUT BRACKET FOR DOOR		

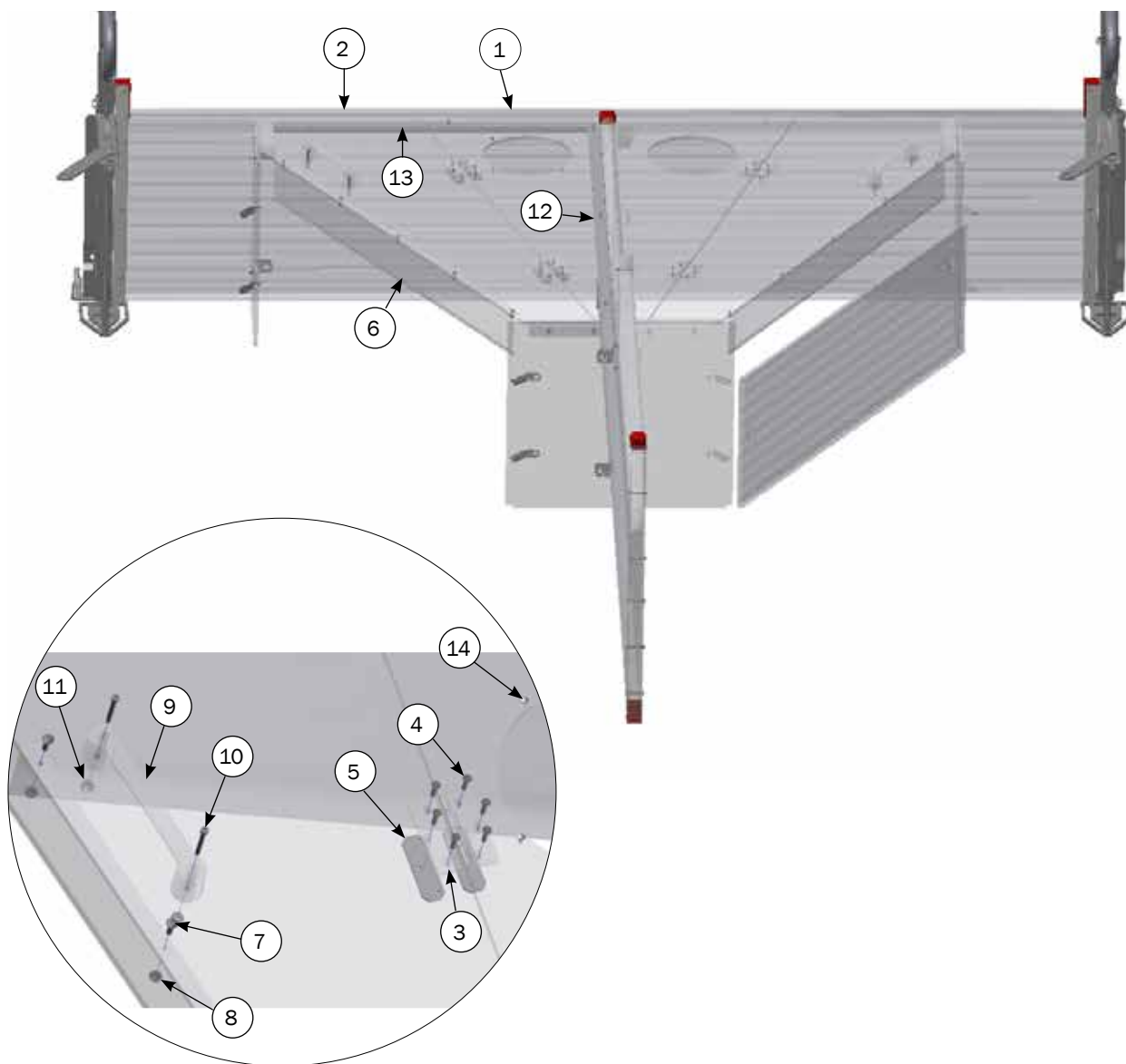
A



Nº	QTY.	Part Nº	Description
	1	2700077	SIDE H50 FOR FLEX NEST
1	2	8470046	SIDE H50 FOR FLEX NEST
2	4	30900	WATER VALVE 1/4" PIPE THREAD, STAINLESS TYPE 5
3	1	8440152	SUPPORT FOR NESTCOVER L= 210 MM
4	1	8440150	SUPPORT FOR NESTCOVER L= 175 MM
5	4	30308020	SET SCREW M8X20 A2 DIN 933
6	4	68552	M8 FLANGE NUT DIN 6923 A2
7	8	30306020	SET SCREW M6X20 A2 DIN 933
8	8	33506011	COLLAR HEAD NUT M6 A2 DIN 6923
*9	1	2760059	BARRIER PLATE H50
10	4	2750081	ASSEMBLY PART FOR FLEXNEST
11	4	35600032	FLAT WASHER Ø6X6,4/12/1,6 A2 DIN 125 A
*12	4	34900038	SELF-DRILLING SCREW W/COLLAR 6.3X19 FZB DIN 7504 K

* Is mounted later

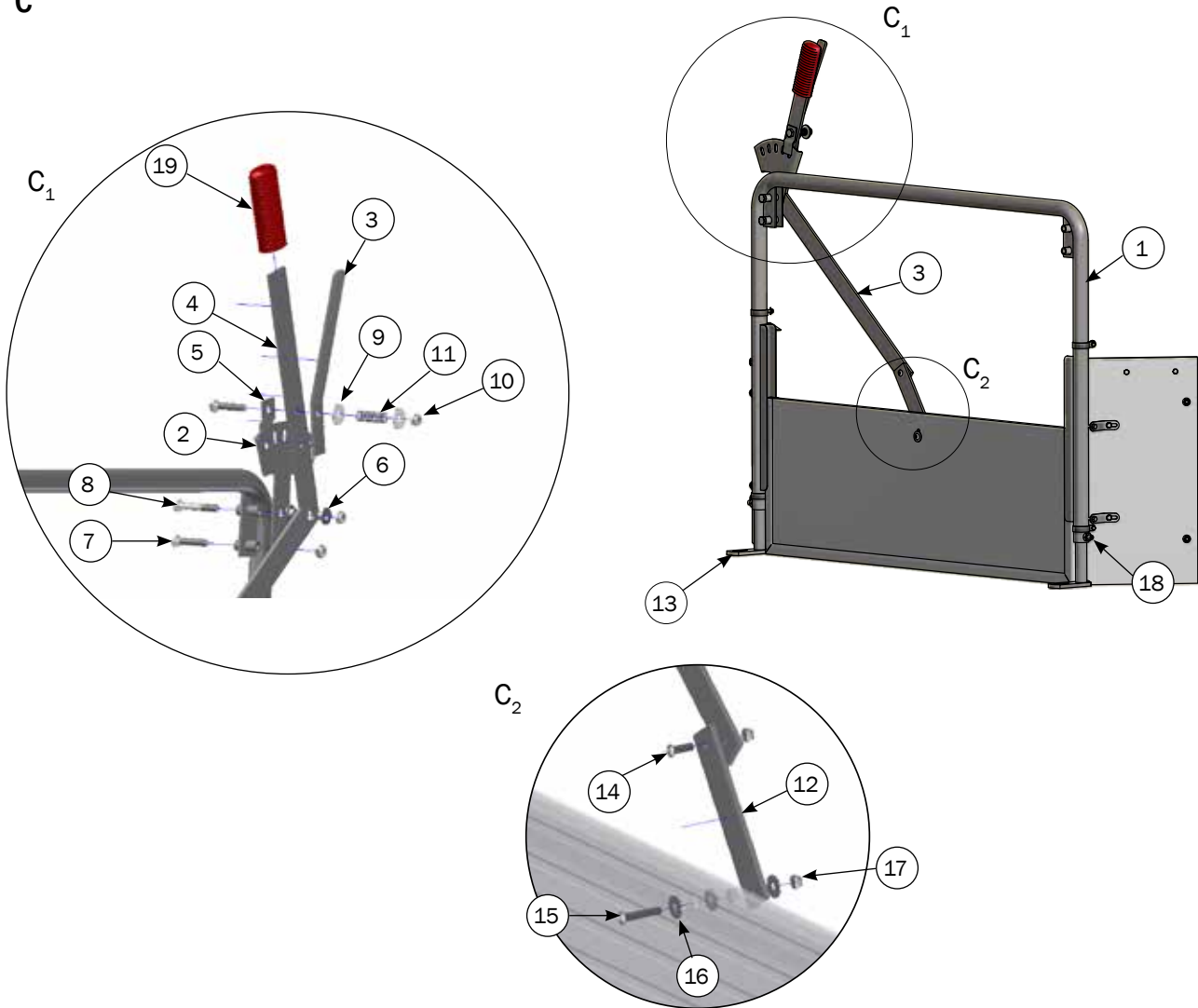
B



No	QTY.	Part No	Description
		2700074	COVER WITHOUT HOLE FOR HEATING LAMP, UNASSEMBLED
	1	2700075	COVER WITH HOLE FOR HEATING LAMP, UNASSEMBLED
1	1	8470029	FRONT PLATE WITH HOLE FOR FLEX NEST
2	1	8470030	FRONT PLATE FOR FLEX NEST
3	1	2910590	PLASTIC HINGE
4	1	38305022	HEXAGON SOCKET SCREW M5X22 UH A2 DIN 7991
5	1	2920591	MOUNTING PLATE FOR SUSPEND
6	1	44512	FRONT RAIL CLIMATE WELSAFE
7	2	39106020	CONNECTION SCREW M6X20 STAINLESS TORX 30
8	1	33506011	COLLAR HEAD NUT M6 A2 DIN 6923
9	2	9960013	BLACK PLASTIC HANDGRIP,
10	3	38308045	HEXAGON SOCKET SCREW M8X65 CHA2 DIN 912
11	1	33908001	LOCK NUT M8 A2 DIN 985
12	1	44509	TENSION PL.F/BOT.AGITAT.STAINL
13	2	8440151	SUPPORT FOR NESTCOVER L= 790 MM
14	1	67050	4.2 X 13 PLATE SCREW PH POZI GALV

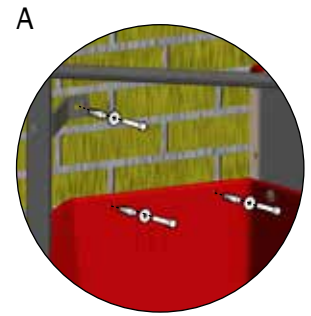
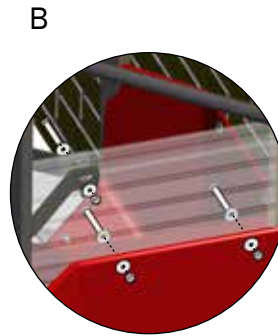
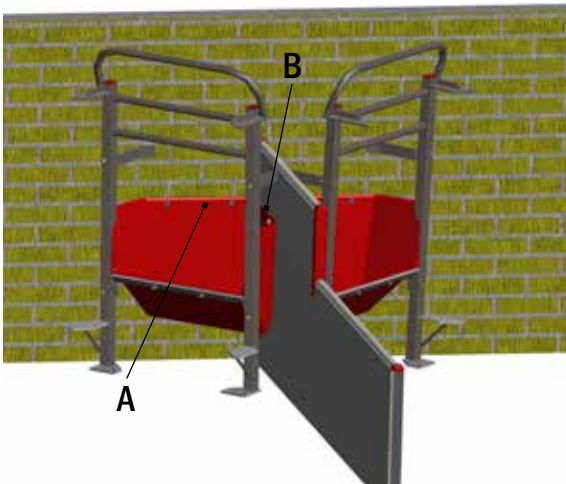
ADJUSTABLE BARRIER PLATE

C

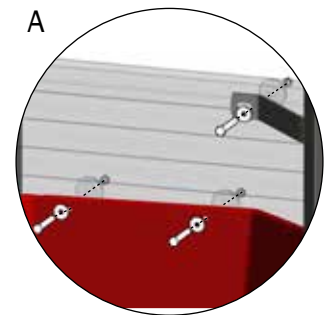
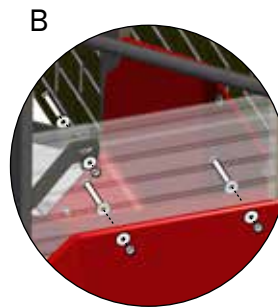
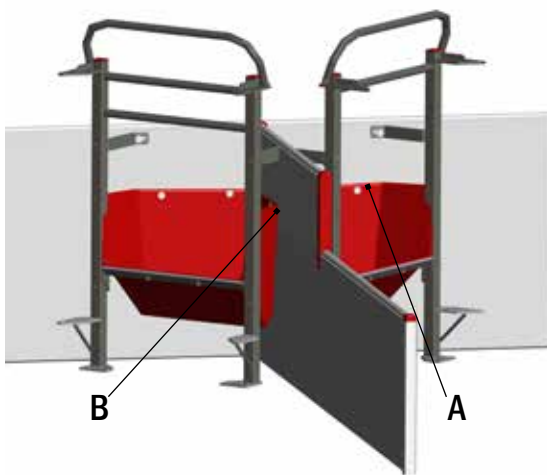


Nº	QTY.	Part Nº	Description
	1	2700073	KIT FOR ADJUSTABLE BARRIER PLATE, UNASSEMBLED
1	1	2720073	SLIDING RAIL FOR FLEX NEST
2	1	2720108	LOCKING CAM
3	1	2720102	LEVERARM FOR BARRIERPLATE
4	1	2720104	LOCK FOR HANDLE
5	1	2720103	LOCK FOR LEVERARM
6	1	42229	BUSHING FOR FENDER FARROWING CRATE
7	2	30310050	SET SCREW M10X50 A2 DIN 933
8	1	32310065	MACHINE SCREW M10X65 A2 DIN 931
9	2	35900085	NUT WASHER Ø10X10,5/30/2,5 A2DIN 9021
10	3	33900029	LOCK NUT M10 A2 DIN 985
11	1	58535	SPRING 1.5 X 15 X 45.5 MM
12	1	2720105	HINGE FOR PIGLETS NEST, POST PART
13	2	1215078	ADJUSTABLE POST Ø25X125 MM
14	1	67340	ALLEN SCREW M8 X 25 A2
15	1	67344	M8 X 45 BH SOCKET SCREW A2 ISO 7380
16	3	35600058	NUT WASHER Ø8X8,4/24/2 A2 DIN9021
17	3	33908001	LOCK NUT M8 A2 DIN 985
18	2	38310016	POINTED SCREW M10X16 W/POINT A2 DIN 914
19	1	59444	HANDLE FOR OPENING LEVER

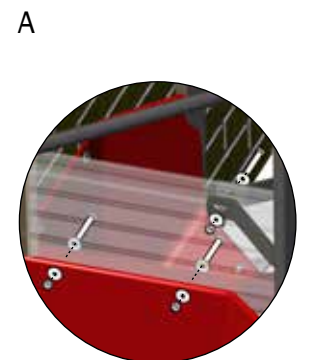
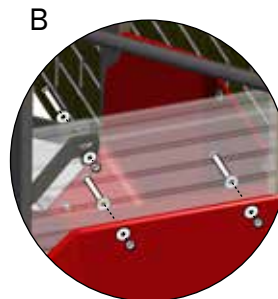
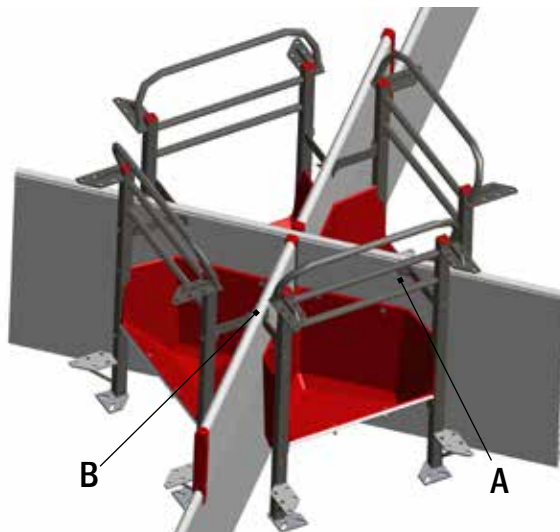
Nº	QTY.	Part Nº	Description
	1	2700045	MOUNTING KIT 2 RAIL W/PLAST/SS TROUGH IN CONCRETE/BOARDPROFILE



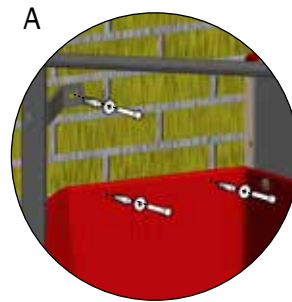
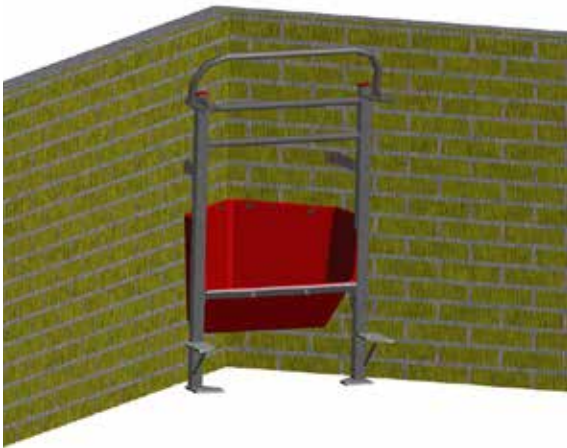
Nº	QTY.	Part Nº	Description
	1	2700046	MOUNTING KIT 2 RAIL W/PLAST/SSTROUGH IN BOARDPROFILE/BOARDPROFILE




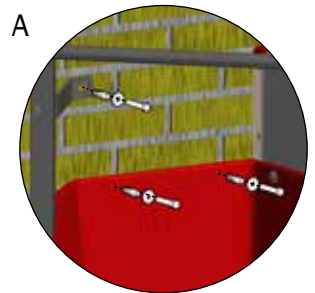
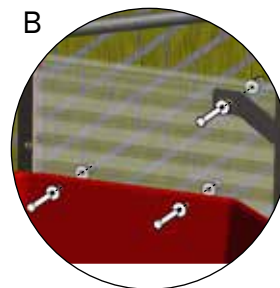
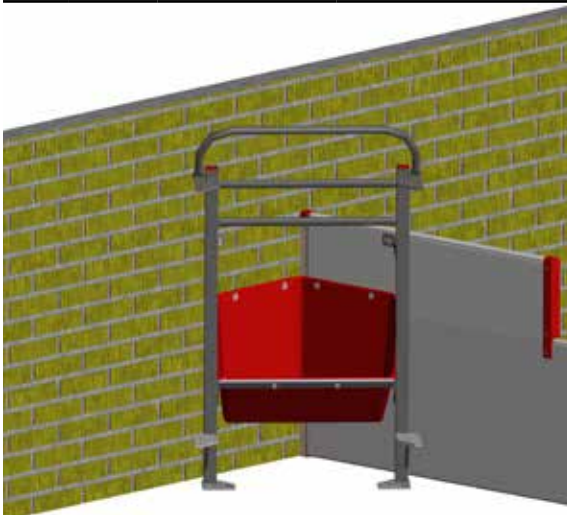
Nº	QTY.	Part Nº	Description
	1	2700047	MOUNTING KIT 4 RAIL W/POLAST/SS TROUGH IN BOARDPROFILE/BOARDPROFILE



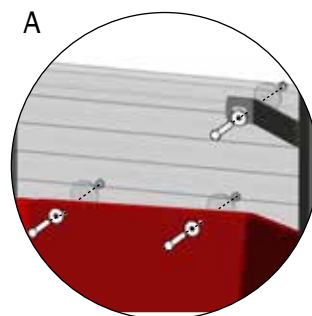
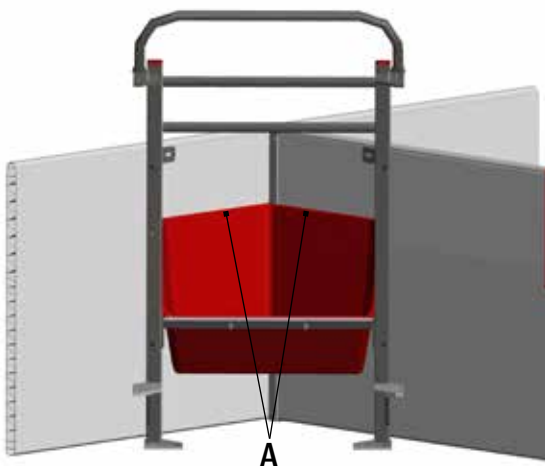
N ^o	QTY.	Part N ^o	Description
	1	2700048	MOUNTING KIT 1 RAIL W/PLAST/SS TROUGH IN CONCRETE/CONCRETE



N ^o	QTY.	Part N ^o	Description
	1	2700049	MOUNTING KIT 1 RAIL W/PLAST/SS TROUGH IN CONCRETE/BOARDPROFILE



N ^o	QTY.	Part N ^o	Description
	1	2700050	MOUNTING KIT 1 RAIL W/PLAST/SS TROUGH IN BOARDPROFILE/BOARDPROFILE

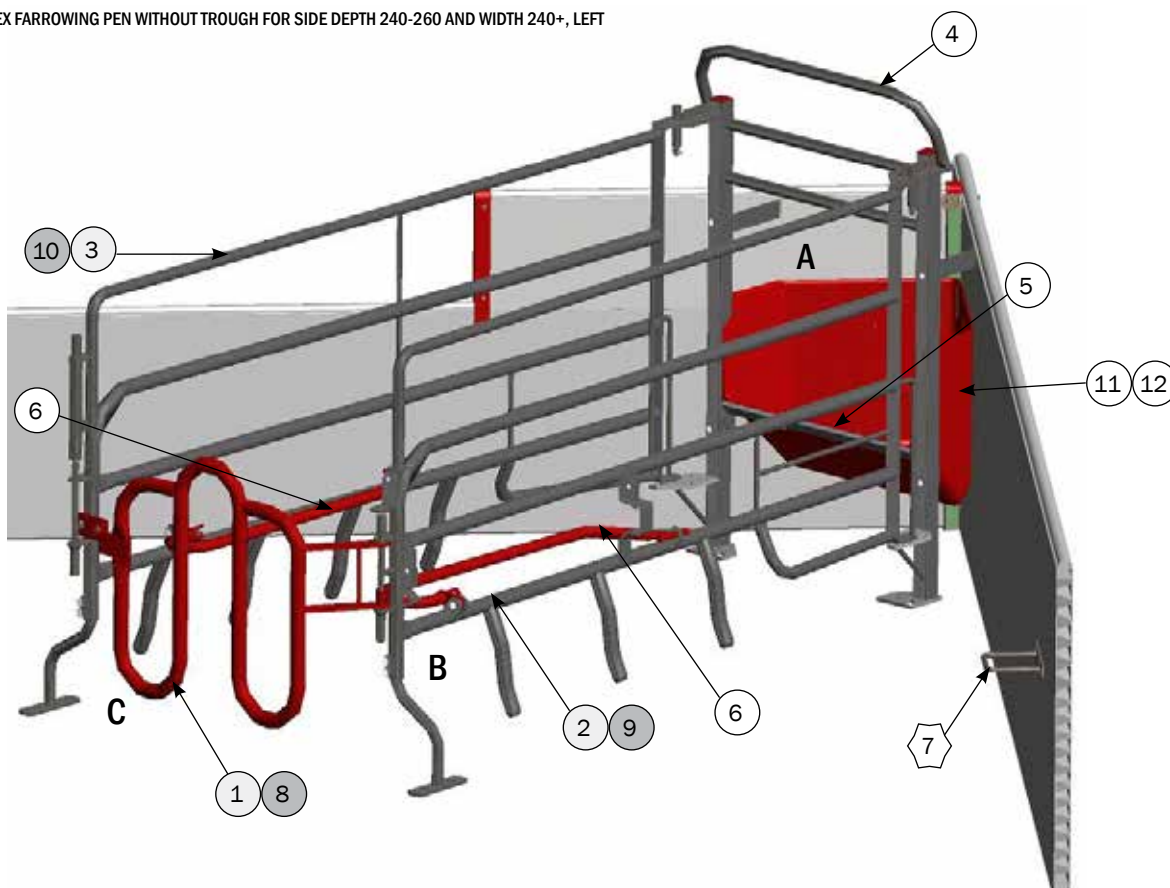


FARROWING PEN MOUNTING

WELSAFE FLEX

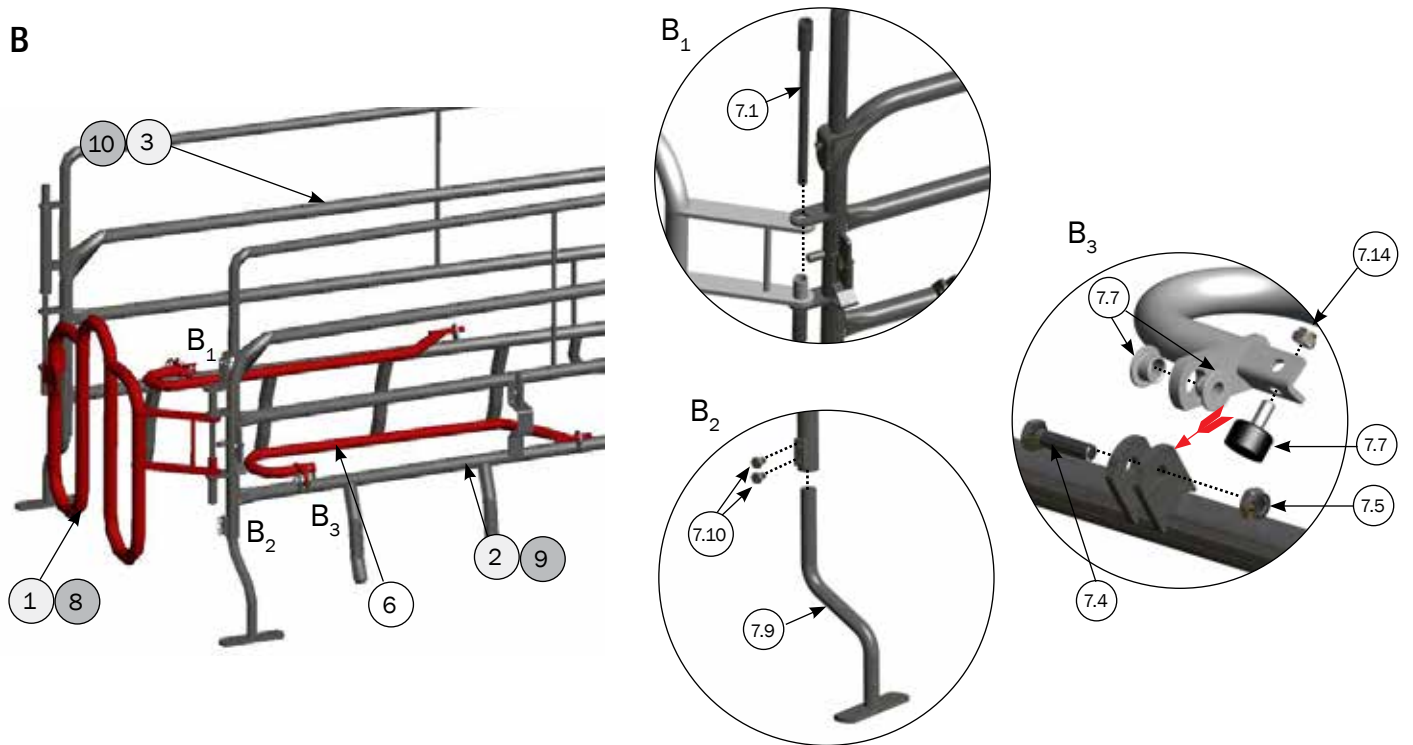
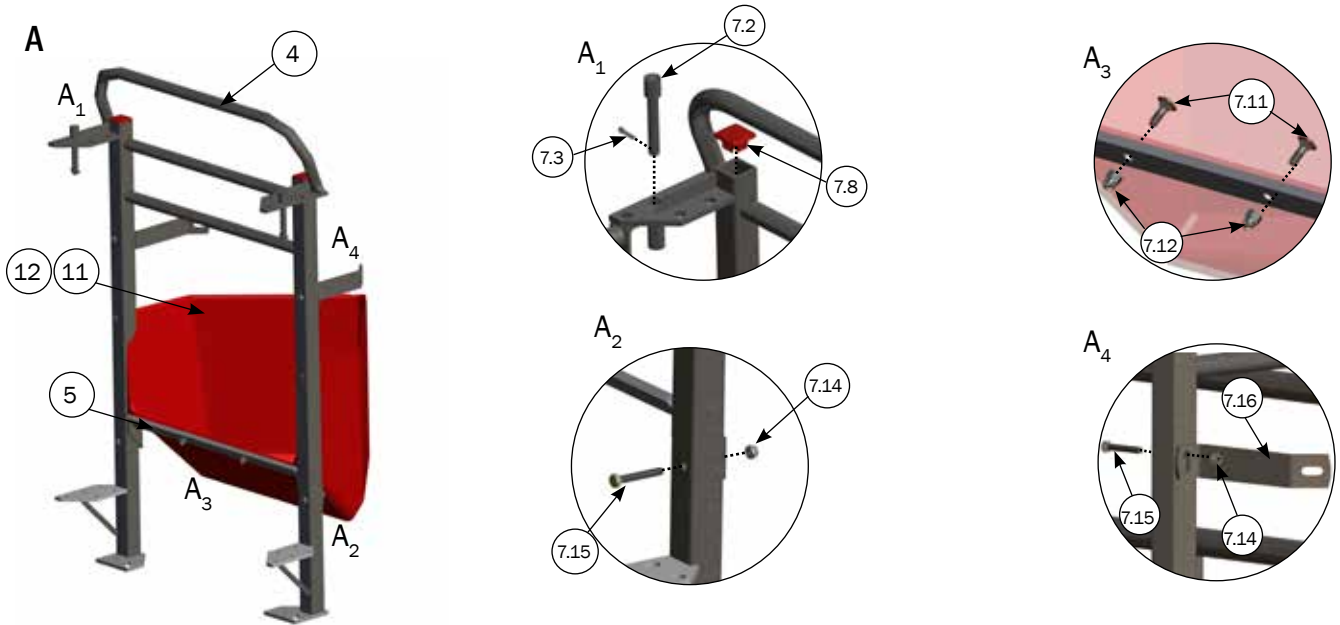
2700070 WELSAFE FLEX FARROWING PEN WITHOUT TROUGH FOR SIDE DEPTH 240-260 AND WIDTH 240+, RIGHT

2700071 WELSAFE FLEX FARROWING PEN WITHOUT TROUGH FOR SIDE DEPTH 240-260 AND WIDTH 240+, LEFT

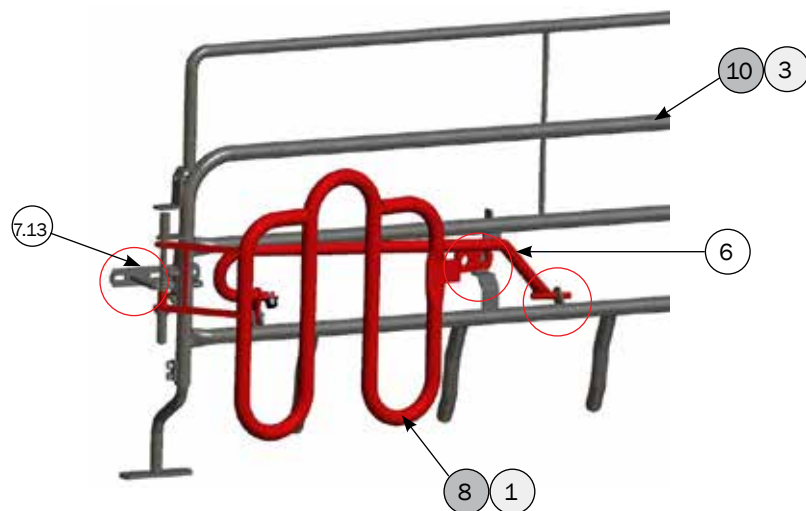


Nº	QTY.	Part Nº	Description	2700071 Left	2700070 Right
1	1	42333RD	GATE RIGHT FARROWING CRATE WELSAFE		x
2	1	2710033	PIVOTAL SIDE, RIGHT FOR LEFT PEN		x
3	1	2710041	PIVOTAL SIDE, LEFT FOR LEFT PEN		x
4	1	2720040	FARROWING RAIL FOR PLASTIC TROUGH BIOFORM III	x	x
5	1	2920566	SUPPORT FOR TROUGH IN FARROWING RAIL 40/50	x	x
6	2	42230RD	FENDER FARROWING CRATE XL	x	x
7	1	2710043	ACCESSOIRES KIT FOR 1 WELSAFEFARROWING PEN	x	x
7.1	1	42341	PEG FOR GATE, FARROWINGCRATE XL		
7.2	2	42249	PIN FOR MOVEABLE SIDE 14 MM FARROWING XL 2009		
7.3	2	35900095	SPLIT 4X40 A2 DIN 94		
7.4	2	30310040	SET SCREW M10X40 A2 DIN 933		
7.5	2	33900029	LOCK NUT M10 A2 DIN 985		
7.6	2	42229	BUSHING FOR FENDER FARROWING CRATE		
7.7	2	58158	RUBBER SHOE 8 X 16, OIL RESISTANT		
7.8	2	30086	PLUG 40 X 40 X 4 POST		
7.9	2	42339	SUPPORT PIVOTAL SIDE WELSAFE		
7.10	4	30310016	SET SCREW M10X16 A2 DIN 933		
7.11	2	36308025	CARRIAGE BOLT M8X25 A2 DIN 603		
7.12	2	33208001	TOPNUT M8 DIN 1587		
7.13	1	2720039	FIXATION BRACKET FOR PIVOTAL SIDE		
7.14	6	33908001	LOCK NUT M8 A2 DIN 985		
7.15	4	30308055	SET SCREW M8X55 A2 DIN 933		
7.16	2	2920569	STABILIZER FOR FARROWING RAIL		
8	1	42334RD	GATE LEFT FARROWING CRATE WELSAFE	x	
9	1	2710034	PIVOTAL SIDE, LEFT FOR RIGHT PEN	x	
10	1	2710042	PIVOTAL SIDE, RIGHT FOR RIGHTPEN	x	
11	1	2960565	BIOFORM III PLASTIC CORNER TROUGH		
12	-	2910570	STAINLESS STEEL CORNER TROUGH,45 GR.		

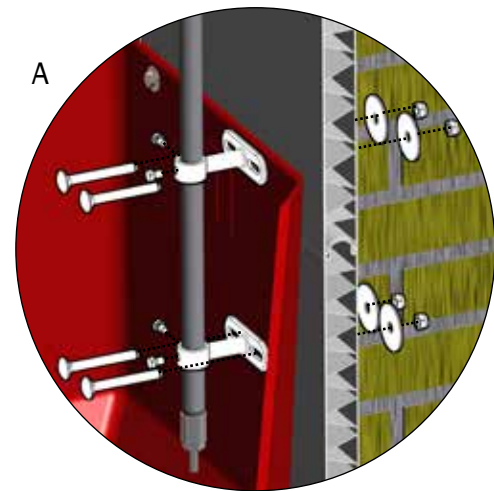
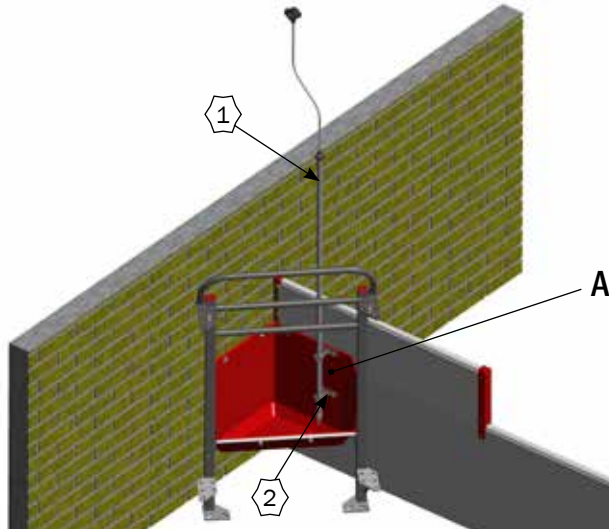
M-6178-GB



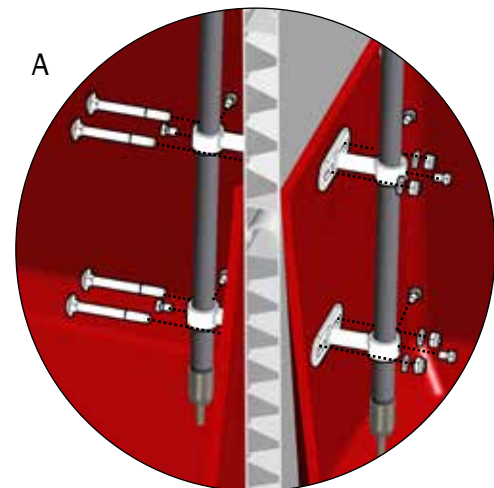
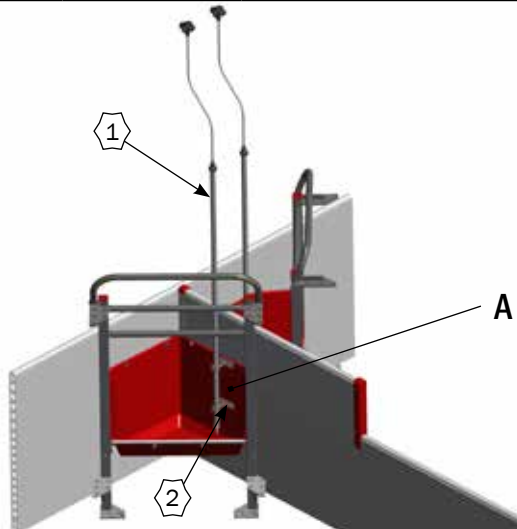
C
Gate fixation to the right/left
pivotal side



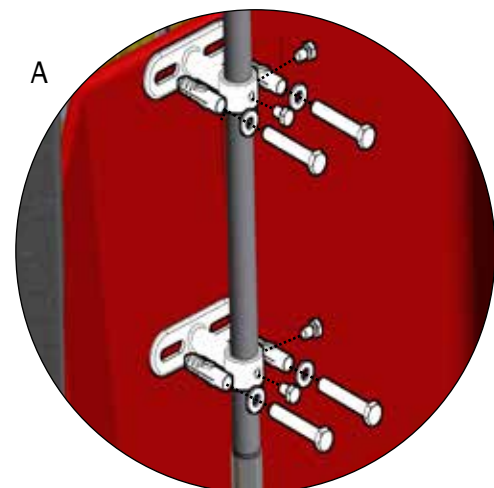
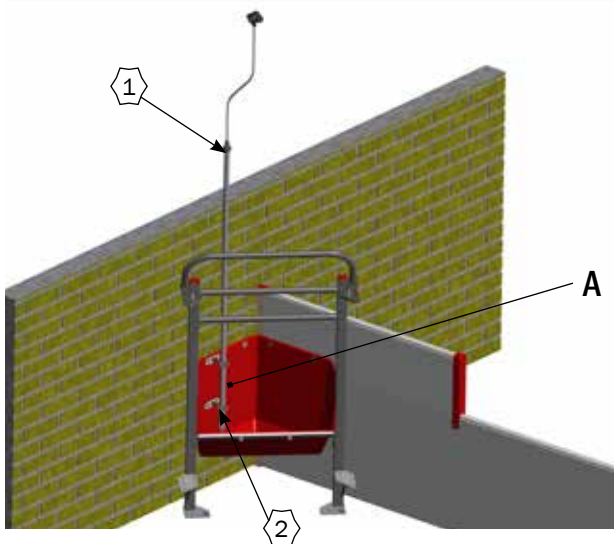
Nº	QTY.	Part Nº	Description
①	1	43687	WATER PIPE SET SS SOW WELSAFEW/POLY TROUGH
②	1	2700051	MOUNTING KIT FOR SOW WATER, SINGLE PLASTICTROUGH, BOARDPROFILE



Nº	QTY.	Part Nº	Description
①	2	43687	WATER PIPE SET SS SOW WELSAFEW/POLY TROUGH
②	1	2700052	MOUNTING KIT FOR SOW WATER, 2PLASTICTROUGH, BOARDPROFILE

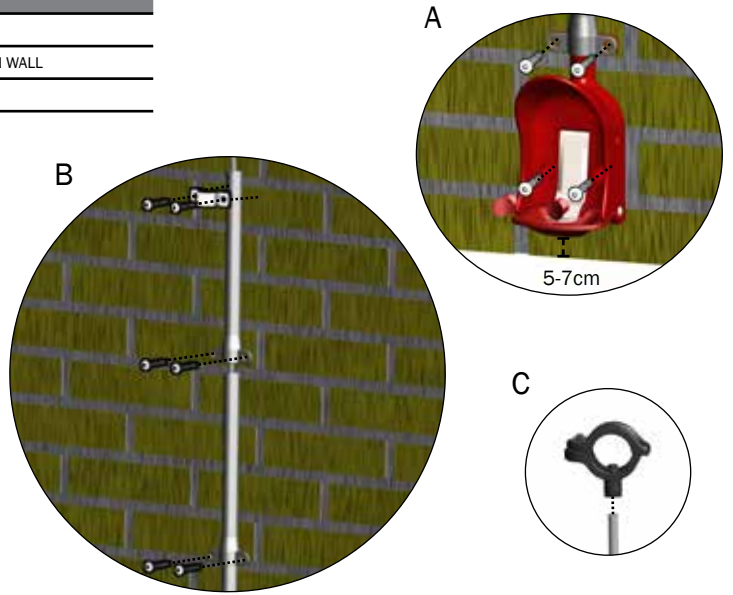
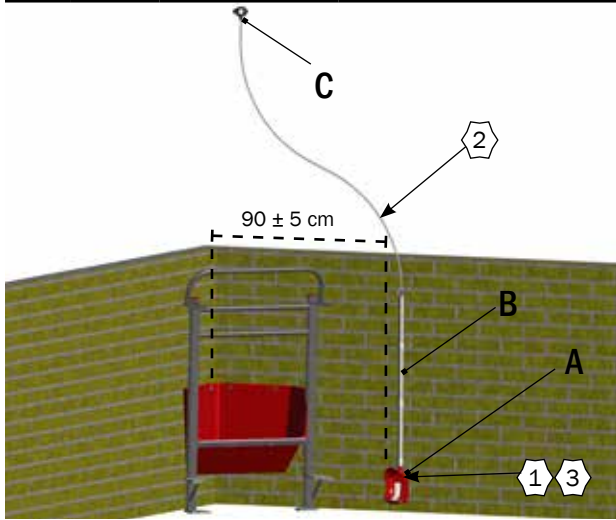


Nº	QTY.	Part Nº	Description
①	2	43687	WATER PIPE SET SS SOW WELSAFEW/POLY TROUGH
②	1	2700053	MOUNTING KIT FOR SOW WATER, SINGLE PLASTICTROUGH, WALL

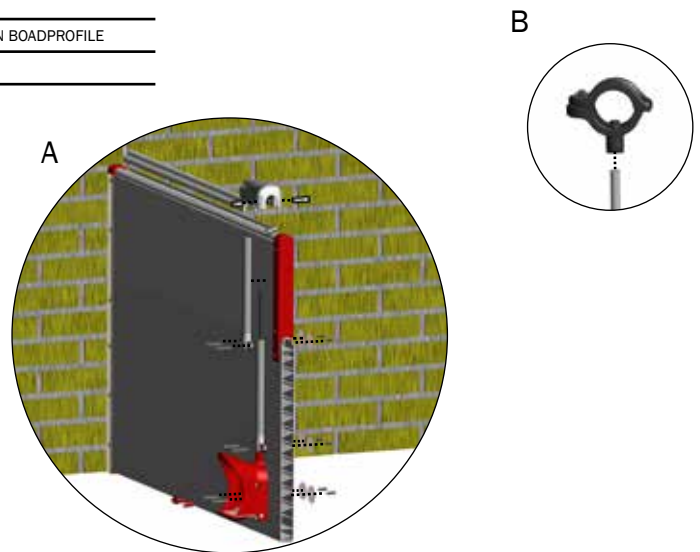
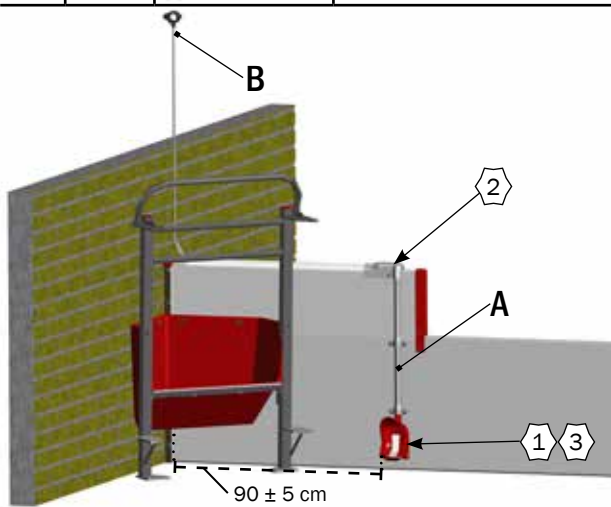


WATER FOR PIGLETS

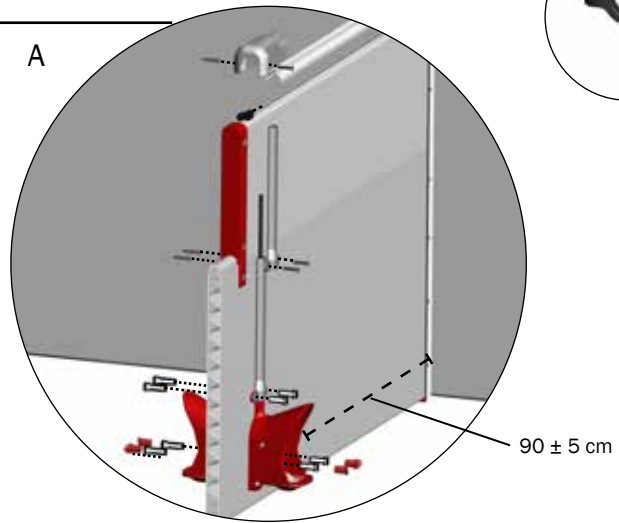
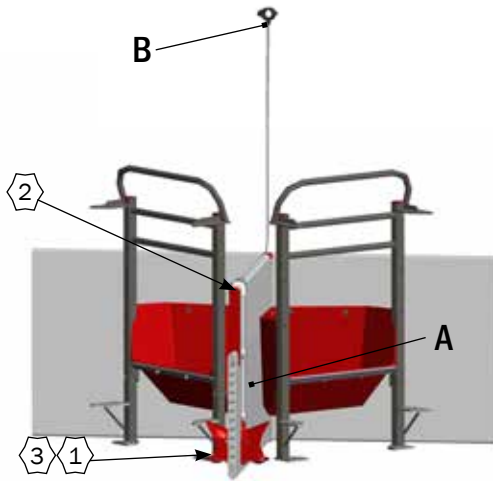
Nº	QTY.	Part Nº	Description
①	1	93520	VIP-O-MAT INCL. HOSE PROTECTOR
②	1	2900584	MOUNTING KIT PIGLET DRIKER FOR SINGLE ON WALL
③	-	2900580	PIGLET DRIBKER INCL. VALVE



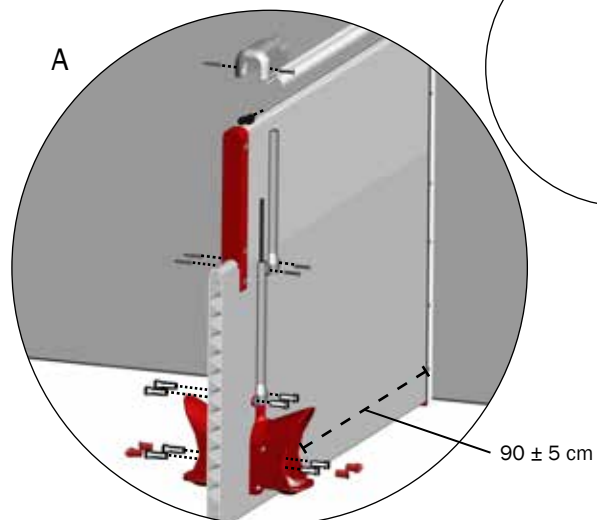
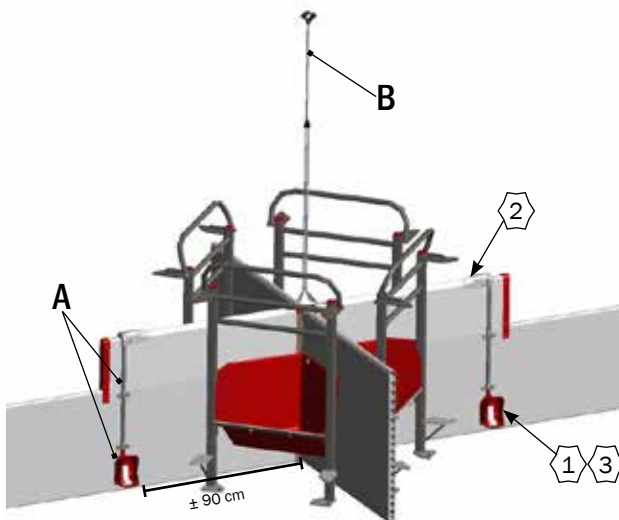
Nº	QTY.	Part Nº	Description
①	1	93520	VIP-O-MAT INCL. HOSE PROTECTOR
②	1	2900583	MOUNTING KIT PIGLET DRIKER FOR SINGLE ON BOADPROFILE
③	-	2900580	PIGLET DRIBKER INCL. VALVE



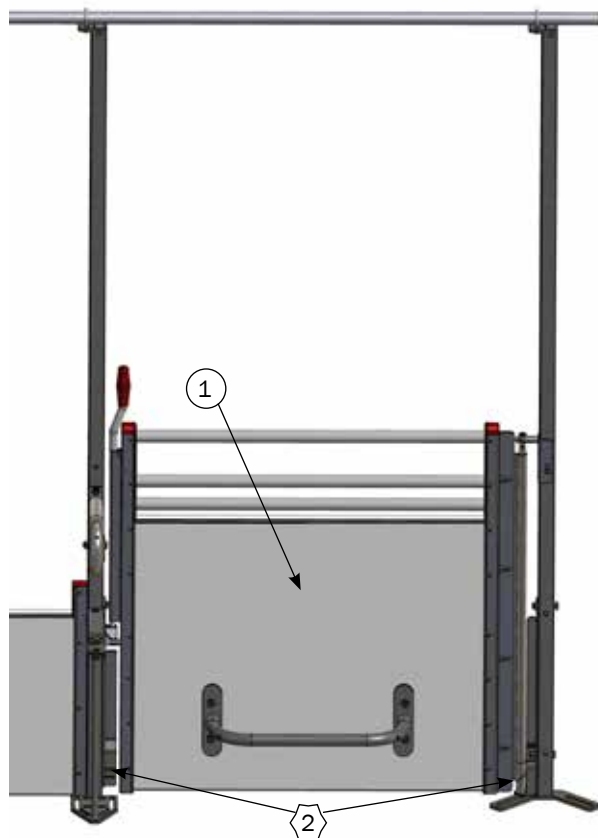
Nº	QTY.	Part Nº	Description
①	2	93520	VIP-O-MAT INCL. HOSE PROTECTOR
②	1	29000582	MOUNTING KIT PIGLET DRINKER FOR DOUBLE ON BOADPROFILE
③	-	2900580	PIGLET DRINKER INCL. VALVE



Nº	QTY.	Part Nº	Description
①	4	93520	VIP-O-MAT INCL. HOSE PROTECTOR
②	1	29000581	MOUNTING KIT PIGLET DRINKER FOR FOUR ON BOADPROFILE
③	-	2900580	PIGLET DRINKER INCL. VALVE

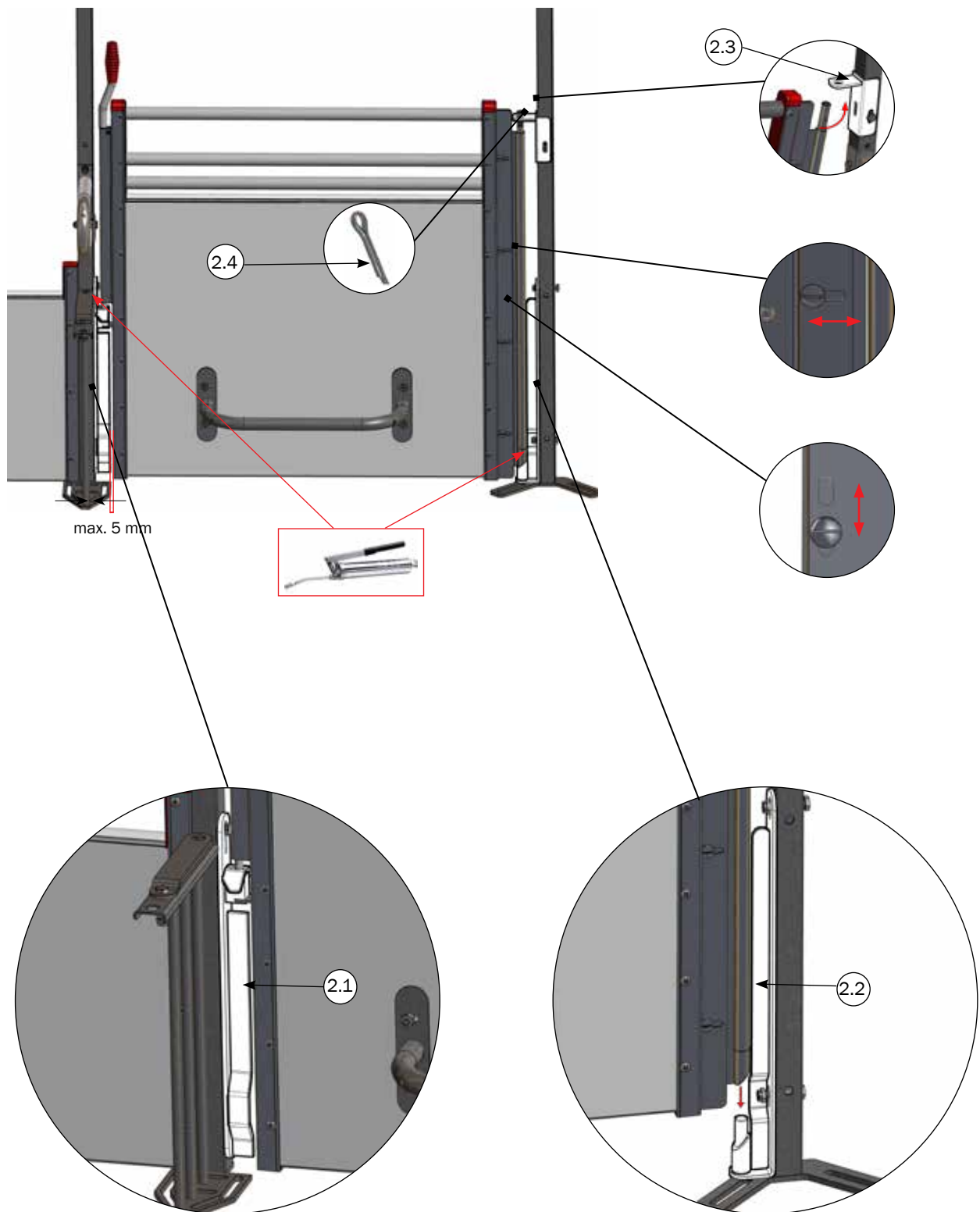


Door with pin lock



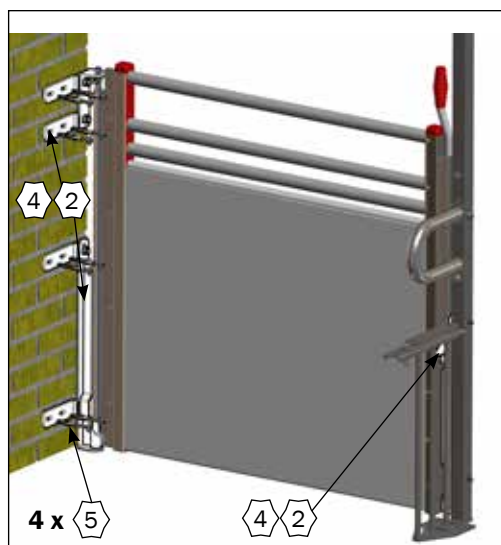
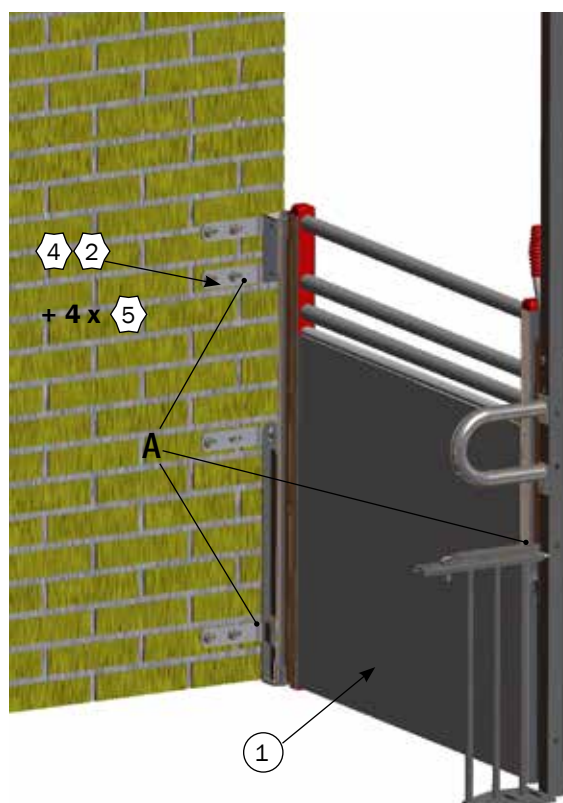
Nº	QTY.	Part Nº	Description
1	1	2710280	GATE H100 PANEL/3 BARS 90-130CM WITH PIN LOCK
②	1	2700278	MOUNTING KIT FOR GATE WITH PIN LOCK
2.1	1	2920573	RECEIVER BRACKET FOR GATE WITH PIN LOCK
2.2	1	17363E	LOWER DOOR BRACKET COF TIL 50X50 POST
2.3	1	2950572	UPPER GATE BRACKET 40X40 POST
2.4	1	35900095	SPLIT 4X40 A2 DIN 94

Door mounting with twist lock between high or low posts

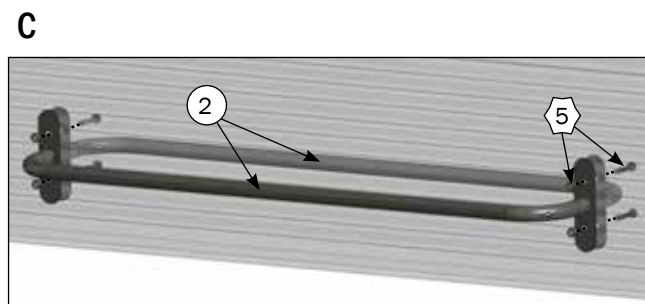
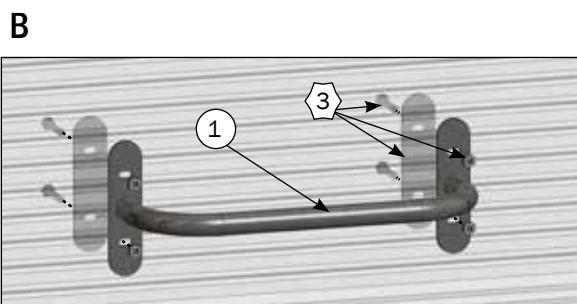
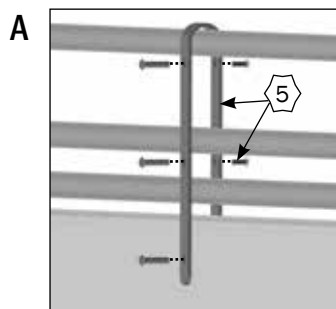
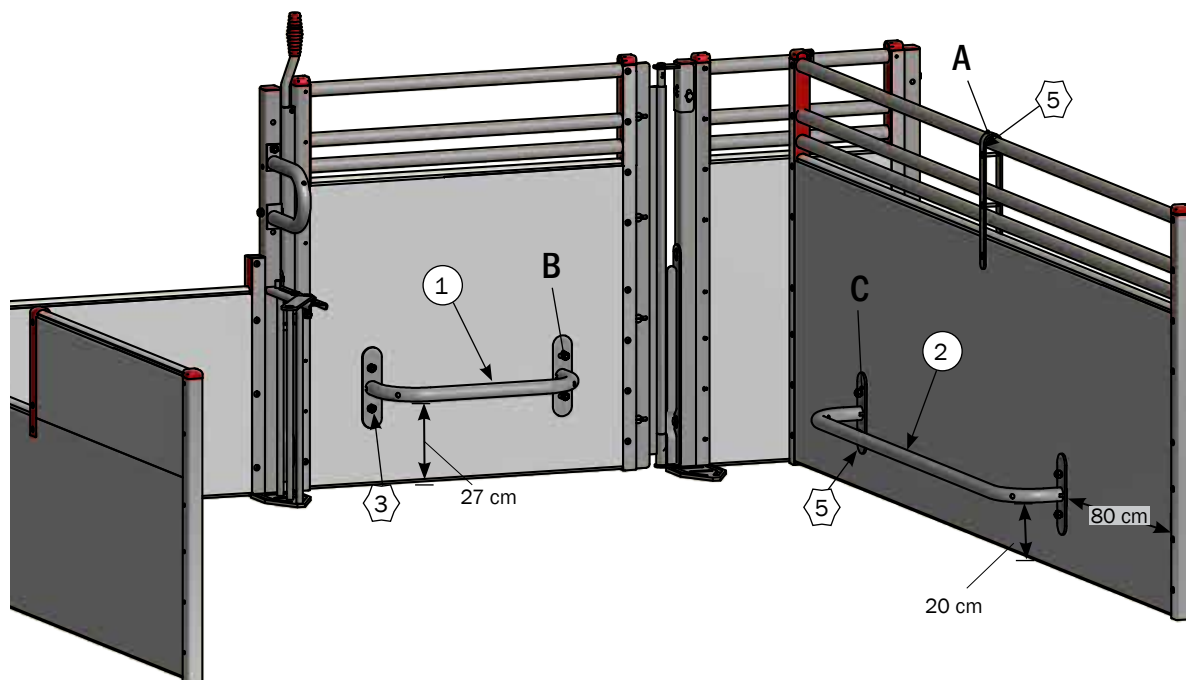


DOORS

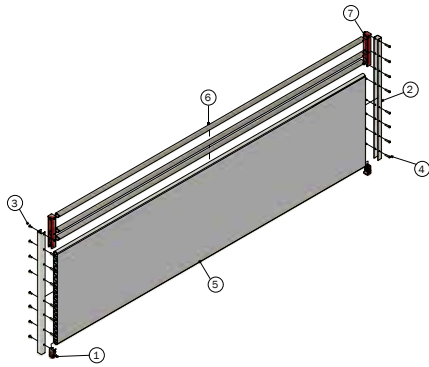
Door mounting with pin lock between high or low posts to the wall



Nº	QTY.	Part Nº	Description
1	1	2710280	GATE H100 PANEL/3 BARS 90-130CM WITH PIN LOCK
	1	2700278	MOUNTING KIT FOR GATE WITH PIN LOCK
	1	2700281	WALL BRACKET FOR RECEIVER, INCL. SCREWS
	-	2700282	WALL MOUNTING KIT FOR GATE WITH PIN LOCK, HINGE SIDE
	2+4	30601	SET SCREW M6X10 ST DIN 933 A2

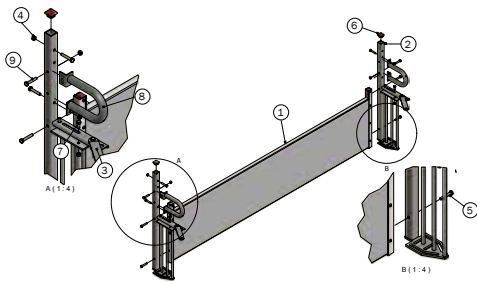


Nº	QTY.	Part Nº	Description
1	1	2720013	SAFEGUARD BAR 55 CM WELSAFE
2	2	2720014	SAFEGUARD BAR 138 CM WELSAFE
③	1	45557	MOUNT KIT FOR SAFEGUARD BARS WELSAFE DOUBLE ON BOARDPROFILE
④	1	45558	MOUNT KIT SAFEGUARD BARS WELSAFE SINGEL ON BOARDPROFILE
⑤	1	4900331	SUPPORT FOR BOARDPROFILE AND BARS, INCL SCREWS



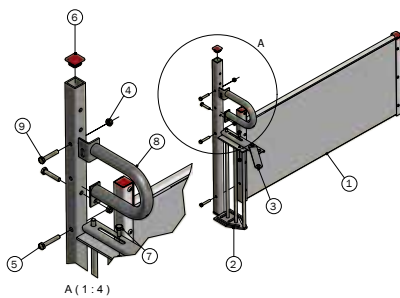
2710255 SIDE H100, BOARDPROFILE/3 PIPE, UPROFILE/UPROFILE AGAINST FRONT

Nº	QTY.	Part Nº	Description
1	2	30013	PLUG PANEL BOTTOM 50 CM/75 CM PANEL
2	2	38731	CLEAN-O-FLEX® U-PROFILE H100
3	16	39106020	CONNECTION SCREW M6X20 STAINLESS TORX 30
4	16	39206037	SPLICING SLEEVE M6X37 STAINLESS TORX 30
5	- m	30105	BOARDPROFILE 35X750 MM SPEC. LENGTH PRICE PER METER
6	- m	112406	33.7 X 2.65 PIPE GALV. PRICE PER METER, LENGTH 6 METER
7	2	8530006	PLUG PANEL 3 TOPPIPE



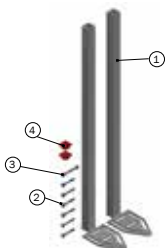
2700276 FRONT PART DOUBLE PIGLET NEST WITH LOW POSTS, WITHOUT BRACKET FOR DOOR

Nº	QTY.	Part Nº	Description
1	1	2910571	WELSAFE PARTITION 2 NEST COVER
2	2	2720009	POST WITH GRILL WELSAFE
3	2	2710028	UPPER FIXATION BRACKET FOR PIVOTAL SIDE
4	7	33900029	LOCK NUT M10 A2 DIN 985
5	5	32510060	MACHINE SCREW M10X60 A2 DIN 931
6	2	30086	PLUG 40 X 40 X 4 POST
7	2	30310025	SET SCREW M10X25 A2 DIN 933
8	2	1620301	DOOR STOP
9	4	32510055	MACHINE SCREW M10X55 A2 DIN 93



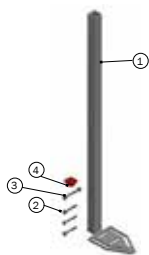
2700277 FRONT PART PIGLET NEST AGAINST WALL WITH LOW POST, WITHOUT BRACKET FOR DOOR

Nº	QTY.	Part Nº	Description
1	1	41981	REAR PART H50 PANEL W/NEST COVER
2	1	2720009	POST WITH GRILL WELSAFE
3	1	2710028	UPPER FIXATION BRACKET FOR PIVOTAL SIDE
4	3	33900029	LOCK NUT M10 A2 DIN 985
5	2	32510060	MACHINE SCREW M10X60 A2 DIN 931
6	1	30086	PLUG 40 X 40 X 4 POST
7	1	30310025	SET SCREW M10X25 A2 DIN 933
8	1	1620301	DOOR STOP
9	2	32510055	MACHINE SCREW M10X55 A2 DIN 93



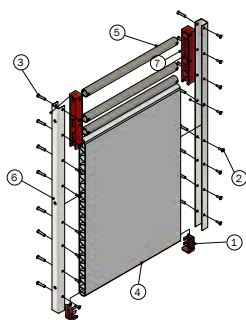
2700275 2 LOW POSTS INCL.BOLTS FOR FRONT PART OPPOSITE PIGLET NEST

Nº	QTY.	Part Nº	Description
1	2	2720056	LOW POST FOR FRONT
2	7	32510060	MACHINE SCREW M10X60 A2 DIN 931
3	1	33900029	LOCK NUT M10 A2 DIN 985
4	2	30086	PLUG 40 X 40 X 4 POST



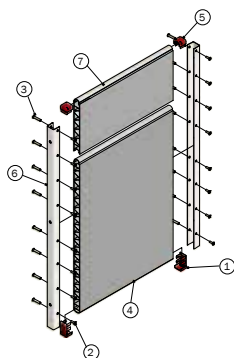
2700284 POST FOR FRONT PART AGAINST WALL INCL. BOLTS

Nº	QTY.	Part Nº	Description
1	1	2720056	LOW POST FOR FRONT
2	4	32510060	MACHINE SCREW M10X60 A2 DIN 931
3	1	33900029	LOCK NUT M10 A2 DIN 985
4	3	30086	PLUG 40 X 40 X 4 POST



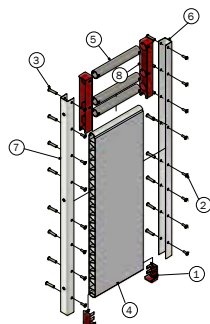
2710250 FRONT PART H100 PANEL/3 BARS FOR POST, OPPOSITE PIGLET NEST

Nº	QTY.	Part Nº	Description
1	2	30013	PLUG PANEL BOTTOM 50 CM/75 CM PANEL
2	16	39106020	CONNECTION SCREW M6X20 STAINLESS TORX 30
3	16	39206037	SPLICING SLEEVE M6X37 STAINLESS TORX 30
4	1	30105	BOARDPROFILE 35X750 MM SPEC. LENGTH PRICE PER METER
5	3	112406	33.7 X 2.65 PIPE GALV. PRICE PER METER, LENGTH 6 METER
6	2	2950568	UPROFILE 1005 MM WITH 3 NUT
7	2	8530006	PLUG PANEL 3 TOPPIPE



2710274 FRONT PART H100 PANEL FOR POSTS, OPPOSITE PIGLET NEST

Nº	QTY.	Part Nº	Description
1	2	30013	PLUG PANEL BOTTOM 50 CM/75 CM PANEL
2	16	39106020	CONNECTION SCREW M6X20 STAINLESS TORX 30
3	16	39206037	SPLICING SLEEVE M6X37 STAINLESS TORX 30
4	1	30105	BOARDPROFILE 35X750 MM SPEC. LENGTH PRICE PER METER
5	2	30001	PLUG PANEL TOP
6	2	2950568	UPROFILE 1005 MM WITH 3 NUT
7	1	30099	BOARDPROFILE 35X250 MM SPEC. LENGTH PRICE PER METER



2710284 FRONT PART H100 PANEL/3 BARS FOR POST, OPPOSITE PIGLET NEST, AGAINST WALL

Nº	QTY.	Part Nº	Description
1	2	30013	PLUG PANEL BOTTOM 50 CM/75 CM PANEL
2	16	39106020	CONNECTION SCREW M6X20 STAINLESS TORX 30
3	16	39206037	SPLICING SLEEVE M6X37 STAINLESS TORX 30
4	1	30105	BOARDPROFILE 35X750 MM SPEC. LENGTH PRICE PER METER
5	3	112406	33.7 X 2.65 PIPE GALV. PRICE PER METER, LENGTH 6 METER
6	1	38731	CLEAN-O-FLEX® U-PROFILE H100
7	1	2950568	UPROFILE 1005 MM WITH 3 NUT
8	1	8530006	PLUG PANEL 3 TOPPIPE

27110271 SIDE H100 PANEL/3 BARS FOR HIGH POST

Nº	QTY.	Part Nº	Description
1	2	30013	PLUG PANEL BOTTOM 50 CM/75 CM PANEL
2	1	38731	CLEAN-O-FLEX® U-PROFILE H100
3	16	39106020	CONNECTION SCREW M6X20 STAINLESS TORX 30
4	16	39206037	SPLICING SLEEVE M6X37 STAINLESS TORX 30
8	1	30105	BOARDPROFILE 35X750 MM SPEC. LENGTH PRICE PER METER
6	2	112406	33.7 X 2.65 PIPE GALV. PRICE PER METER, LENGTH 6 METER
7	1	8450572	UPROFILE H1005 FOR PARTITION WITH HIGH POST
8	3	29695	M10 X 70 BOLT SPEC. HEAD F/INN-O-FLEX
9	2	8530006	PLUG PANEL 3 TOPPIPE

2700272 FRONT PART DOUBLE PIGLET NEST AGAINST WALL W/HIGH POST, WITHOUT BRACKET FOR DOOR

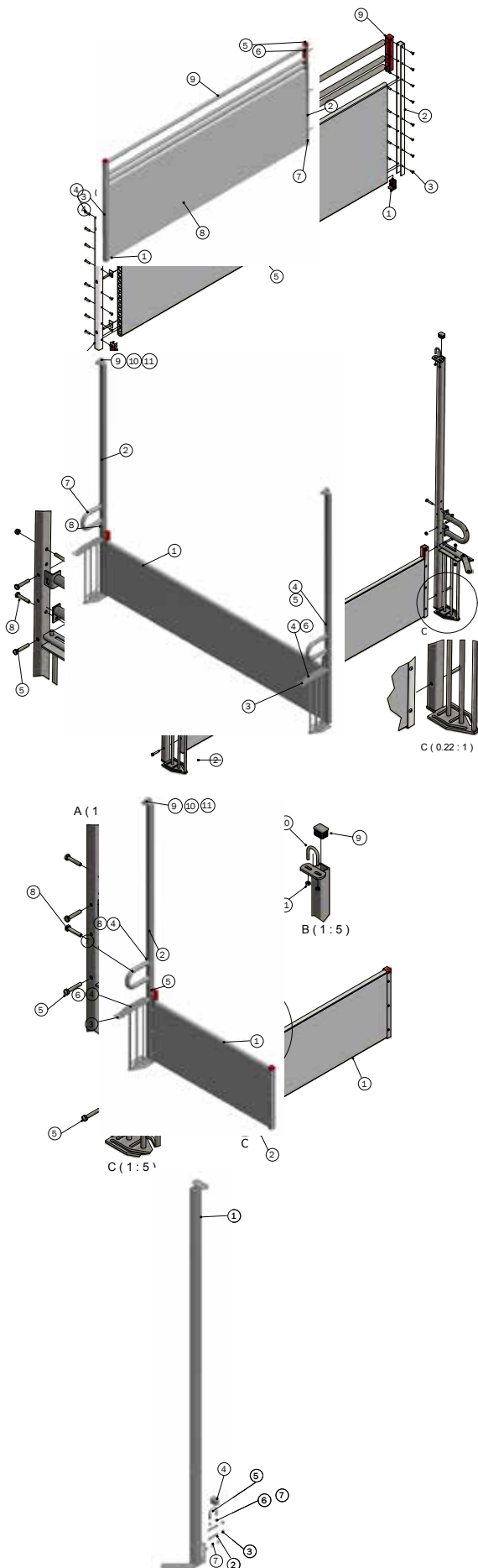
Nº	QTY.	Part Nº	Description
1	1	2910571	WELSAFE PARTITION 2 NEST COVER
2	2	2720054	HIGH POST WITH GRILL
3	2	2710028	UPPER FIXATION BRACKET FOR PIVOTAL SIDE
4	7	33900029	LOCK NUT M10 A2 DIN 985
5	5	32510060	MACHINE SCREW M10X60 A2 DIN 931
6	2	30310025	SET SCREW M10X25 A2 DIN 933
7	2	1620301	DOOR STOP
8	4	32510055	MACHINE SCREW M10X55 A2 DIN 93
9	2	9960016	CAP 40X30 BLACK
10	2	90100049	U-BOLT 1'X8X50 MM EL-Z
11	4	33208014	NUT M8 FZV DIN 934

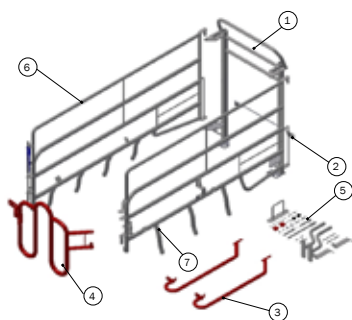
2700273 FRONT PART PIGLET NEST AGAINST WALL W/HIGH POST, WITHOUT BRACKET FOR DOOR

Nº	QTY.	Part Nº	Description
1	1	41981	REAR PART H50 PANEL W/NEST COVER
2	1	2720054	HIGH POST WITH GRILL
3	1	2710028	UPPER FIXATION BRACKET FOR PIVOTAL SIDE
4	4	33900029	LOCK NUT M10 A2 DIN 985
5	2	32510060	MACHINE SCREW M10X60 A2 DIN 931
6	1	30310025	SET SCREW M10X25 A2 DIN 933
7	1	1620301	DOOR STOP
8	3	32510055	MACHINE SCREW M10X55 A2 DIN 93
9	1	9960016	CAP 40X30 BLACK
10	1	90100049	U-BOLT 1'X8X50 MM EL-Z
11	2	33208014	NUT M8 FZV DIN 934

2700055 HIGH POST FOR PARTITION, INCLBOLTS

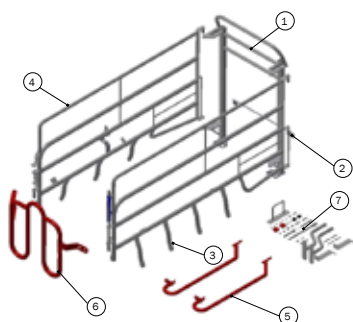
Nº	QTY.	Part Nº	Description
1	2	32510060	MACHINE SCREW M10X60 A2 DIN 931
2	2	33900029	LOCK NUT M10 A2 DIN 985
3	1	9960016	CAP 40X30 BLACK
4	1	90100049	U-BOLT 1'X8X50 MM EL-Z
5	2	33208014	NUT M8 FZV DIN 934
6	3	33510017	NUT M10 A2 DIN 934





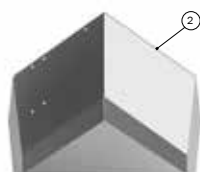
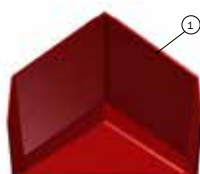
2700070 WELSAFE FLEX FARROWING PEN WITHOUT TROUGH FOR SIDE DEPTH 240-260 AND WIDTH 240+, RIGHT

Nº	QTY.	Part Nº	Description
1	1	2720040	FARROWING RAIL FOR PLASTIC TROUGH BIOFORM III
2	1	2920566	SUPPORT FOR TROUGH IN FARROWING RAIL 40/50
3	2	42230RD	FENDER FARROWING CRATE XL
4	1	42334RD	GATE LEFT FARROWING CRATE WELSAFE
5	1	2710043	ACCESSOIRES KIT FOR 1 WELSAFEFARROWING PEN
6	1	2710034	PIVOTAL SIDE, LEFT FOR RIGHT PEN
7	1	2710042	PIVOTAL SIDE, RIGHT FOR RIGHTPEN

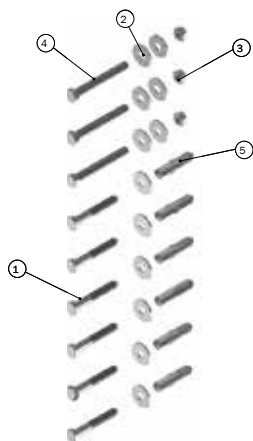


2700071 WELSAFE FLEX FARROWING PEN WITHOUT TROUGH FOR SIDE DEPTH 240-260 AND WIDTH 240+, LEFT

Nº	QTY.	Part Nº	Descriptionw
1	1	2720040	FARROWING RAIL FOR PLASTIC TROUGH BIOFORM III
2	1	2920566	SUPPORT FOR TROUGH IN FARROWING RAIL 40/50
3	1	2710033	PIVOTAL SIDE, RIGHT FOR LEFT PEN
4	1	2710041	PIVOTAL SIDE, LEFT FOR LEFT PEN
5	2	42230RD	FENDER FARROWING CRATE XL
6	1	42333RD	GATE RIGHT FARROWING CRATE WELSAFE
7	1	2710043	ACCESSOIRES KIT FOR 1 WELSAFEFARROWING PEN



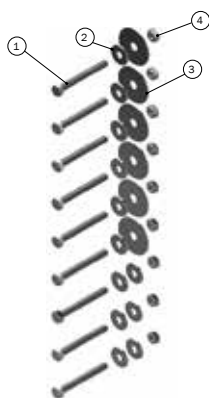
Nº	QTY.	Part Nº	Description
1	1	2960565	BIOFORM III PLASTIC CORNER TROUGH
2	1	2910570	STAINLESS STEEL CORNER TROUGH,45 GR.



2700045 MOUNTING KIT 2 RAIL W/PLASTIC/STAINLESS STEEL TROUGH IN CONCRETE/BOARDPROFILE

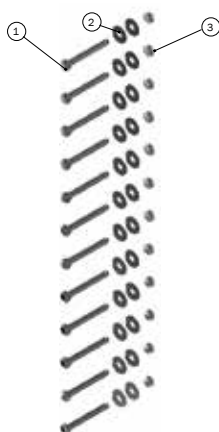
Nº	QTY.	Part Nº	Description
1	3	30308070	SET SCREW M8X70 A2 DIN 933
2	12	35600058	NUT WASHER Ø8X8,4/24/2 A2 DIN9021
3	3	33508013	NUT M8 A2 DIN 934
4	6	34908061	COUCH SCREW M8X60 A2 DIN 571
5	6	39900120	WALL PLUG 10X50MM

COMMON SALES SET



2700046 MOUNTING KIT 2 RAIL W/PLASTIC/STAINLESS STEEL TROUGH IN BOARDPROFILE/BOARDPROFILE

Nº	QTY.	Part Nº	Description
1	9	30308070	SET SCREW M8X70 A2 DIN 933
2	12	35600058	NUT WASHER Ø8X8,4/24/2 A2 DIN9021
3	6	20037	MASTER CLAMP WASHER Ø10,5/45
4	9	33508013	NUT M8 A2 DIN 934



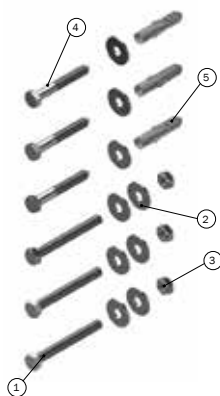
2700047 MOUNTING KIT 4 RAIL W/PLASTIC/STAINLESS STEEL TROUGH IN BOARDPROFILE/BOARDPROFILE

Nº	QTY.	Part Nº	Beskrivelse
1	12	30308070	SET SCREW M8X70 A2 DIN 933
2	24	35600058	NUT WASHER Ø8X8,4/24/2 A2 DIN9021
3	12	33508013	NUT M8 A2 DIN 934



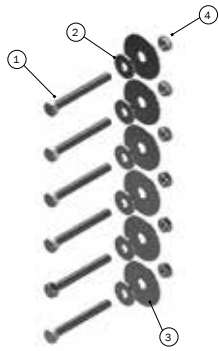
2700048 MOUNTING KIT 1 RAIL W/PLASTIC/STAINLESS STEEL TROUGH IN CONCRETE/CONCRETE

Nº	QTY.	Part Nº	Beskrivelse
1	6	34908061	COUCH SCREW M8X60 A2 DIN 571
2	6	39900120	WALL PLUG 10X50MM
3	6	35600058	NUT WASHER Ø8X8,4/24/2 A2 DIN9021



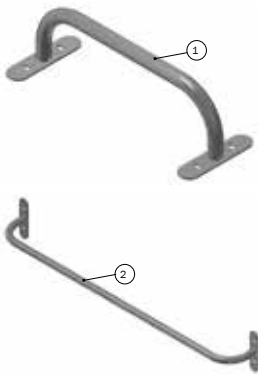
2700049 MOUNTING KIT 1 RAIL W/PLASTIC/STAINLESS STEEL TROUGH IN CONCRETE/BOARDPROFILE

Nº	QTY.	Part Nº	Description
1	3	30308070	SET SCREW M8X70 A2 DIN 933
2	9	35600058	NUT WASHER Ø8X8,4/24/2 A2 DIN9021
3	3	33508013	NUT M8 A2 DIN 934
4	3	34908061	COUCH SCREW M8X60 A2 DIN 571
5	3	39900120	WALL PLUG 10X50MM

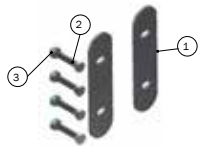


2700050 MOUNTING KIT 1 RAIL W/PLASTIC/STAINLESS STEEL TROUGH IN BOARDPROFILE/BOARDPROFILE

Nº	QTY.	Part Nº	Description
1	6	30308070	SET SCREW M8X70 A2 DIN 933
2	6	35600058	NUT WASHER Ø8X8,4/24/2 A2 DIN9021
3	6	20037	MASTER CLAMP WASHER Ø10,5/45
4	6	33508013	NUT M8 A2 DIN 934



Nº	QTY.	Part Nº	Description
1	1	2720013	SAFEGUARD BAR 55 CM WELSAFE
2	1	2720014	SAFEGUARD BAR 138 CM WELSAFE



45558 MOUNT KIT SAFEGUARD BARS WELSAFE SINGEL ON BOARDPROFILE

Nº	QTY.	Part Nº	Description
1	2	45384	BACK PLATE PROTECTION RAIL WELSAFE
2	4	30310060	SET SCREW M10X60 A2 DIN 933
3	4	33210017	NUT M10 FZB DIN 934



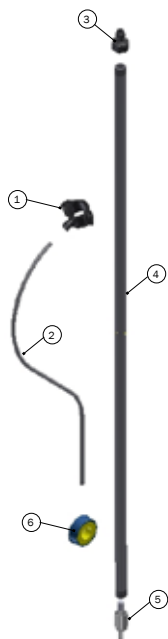
45557 MOUNT KIT FOR SAFEGUARD BARS WELSAFE DOUBLE ON BOARDPROFILE

Nº	QTY.	Part Nº	Description
1	4	30310060	SET SCREW M10X60 A2 DIN 933
2	4	33210017	NUT M10 FZB DIN 934



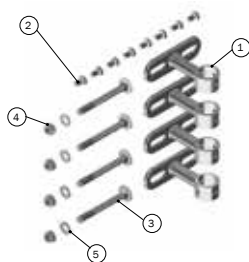
Nº	QTY.	Part Nº	Description
1	1,00	93520	VIP-O-MAT INCL. HOSE PROTECTOR
2	1,00	2900580	PIGLET DRIBKER INCL. VALVE

COMMON SALES SET



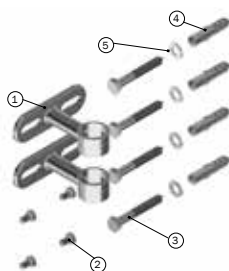
43687 WATER PIPE SET SS SOW WELSAFEFARROWING PEN

Nº	QTY.	Part Nº	Description
1	1	61195	DRILL CLAMP PLASTIC 8MM-32/33,7 MM
2	1 m	61012	HOSE 8 MM PE
3	1	61148	SPEED UNION 8 MM MUFF/FEMALE THREAD
4	1	06902112	NIPPLE PIPE 1/2' STAINLESS STEEL 1190 MM W/ THREAD
5	1	12100107	DRINKING VALVE 1/2' ST TYPE 13
6	0,20 m	29100001	THREAD TAPE 1 ROLL = 10 M



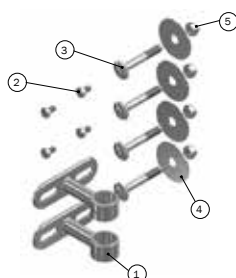
2700052 MOUNTING KIT FOR SOW WATER, 2PLASTICTROUGH, BOARDPROFILE

Nº	QTY.	Part Nº	Description
1	4	2950521	WATERPIPE MOUNTING 1/2' STAINLESS WITH THREAD
2	8	30306010	SET SCREW M6X10 ST DIN 933 A2
3	4	36308075	MUSHROOMHEADED BOLT M8X75 A2 DIN 603
4	4	33908001	LOCK NUT M8 A2 DIN 985
5	4	20037	MASTER CLAMP WASHER Ø10,5/45



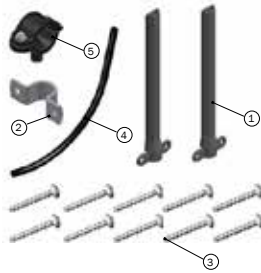
2700053 MOUNTING KIT FOR SOW WATER, SINGLE PLASTICTROUGH, WALL

Nº	QTY.	Part Nº	Description
1	2	2950521	WATERPIPE MOUNTING 1/2' STAINLESS WITH THREAD
2	4	30306010	SET SCREW M6X10 ST DIN 933 A2
3	4	34908061	COUCH SCREW M8X60 A2 DIN 571
4	4	39900120	WALL PLUG 10X50MM
5	4	35600037	FLAT WASHER Ø8X8,4/16/1,6 A2 DIN 125 A



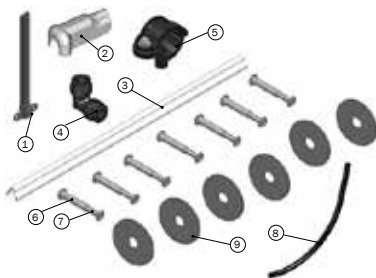
2700051 MOUNTING KIT FOR SOW WATER, SINGLE PLASTICTROUGH, BOARD-PROFILE

Nº	QTY.	Part Nº	Description
1	2	2950521	WATERPIPE MOUNTING 1/2' STAINLESS WITH THREAD
2	4	30306010	SET SCREW M6X10 ST DIN 933 A2
3	4	36308075	MUSHROOMHEADED BOLT M8X75 A2 DIN 603
4	4	33908001	LOCK NUT M8 A2 DIN 985
5	4	20037	MASTER CLAMP WASHER Ø10,5/45



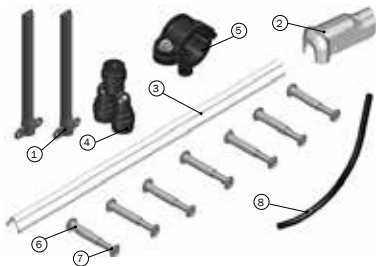
2900584 MOUNTING KIT PIGLET DRIKER FOR SINGLE ON WALL

Nº	QTY.	Part Nº	Description
1	2	30165	COVER TUBE 8 MM HOSE
2	1	3950167	TOGGLE 1/2', STAINLESS
3	10	39406050	CONCRETE SCREW 6,5 X 50 STAINLESS STEEL
4	4 m	61012	HOSE 8 MM PE
5	1	61195	DRILL CLAMP PLASTIC 8MM-32/33,7 MM



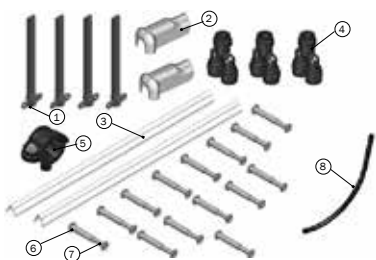
2900583 MOUNTING KIT PIGLET DRIKER FOR SINGLE ON BOADPROFILE

Nº	QTY.	Part Nº	Description
1	1	30165	COVER TUBE 8 MM HOSE
2	1	30166	COVER 8 MM Y-FITTING
3	1	8500077	COVER 735 MM FOR 8 MM HOSE
4	1	61171	8 MM DIVIDER
5	1	61195	DRILL CLAMP PLASTIC 8MM-32/33,7 MM
6	7	39206037	SPLICING SLEEVE M6X37 STAINLESS TORX 30
7	7	39106020	CONNECTION SCREW M6X30 STAINLESS TORX 30
8	4 m	61012	HOSE 8 MM PE
9	6	20037	MASTER CLAMP SKIVE Ø10, 5/Ø45



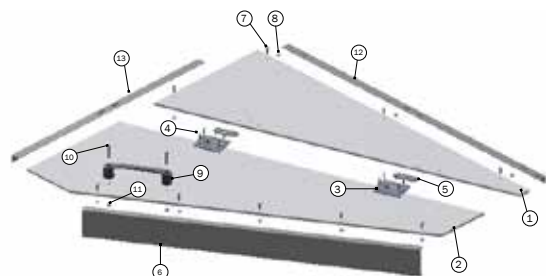
2900582 MOUNTING KIT PIGLET DRIKER FOR 2 PEN ON BOADPROFILE

Nº	QTY.	Part Nº	Description
1	2	30165	COVER TUBE 8 MM HOSE
2	1	30166	COVER 8 MM Y-FITTING
3	1	8500077	COVER 735 MM FOR 8 MM HOSE
4	1	61230	8 MM DIVIDER
5	1	61195	DRILL CLAMP PLASTIC 8MM-32/33,7 MM
6	7	39206037	SPLICING SLEEVE M6X37 STAINLESS TORX 30
7	7	39106030	CONNECTION SCREW M6X30 STAINLESS TORX 30
8	4,5 m	61012	HOSE 8 MM PE



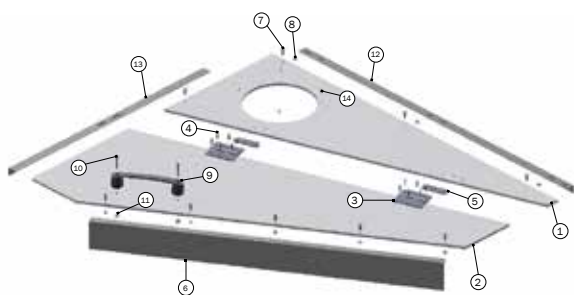
2900581 MOUNTING KIT PIGLET DRIKER FOR 4 PEN ON BOADPROFILE

Nº	QTY.	Part Nº	Description
1	4	30165	COVER TUBE 8 MM HOSE
2	2	30166	COVER 8 MM Y-FITTING
3	2	8500077	COVER 735 MM FOR 8 MM HOSE
4	3	61230	8 MM DIVIDER
5	1	61195	DRILL CLAMP PLASTIC 8MM-32/33,7 MM
6	14	39206037	SPLICING SLEEVE M6X37 STAINLESS TORX 30
7	14	39106030	CONNECTION SCREW M6X30 STAINLESS TORX 30
8	7 m	61012	HOSE 8 MM PE



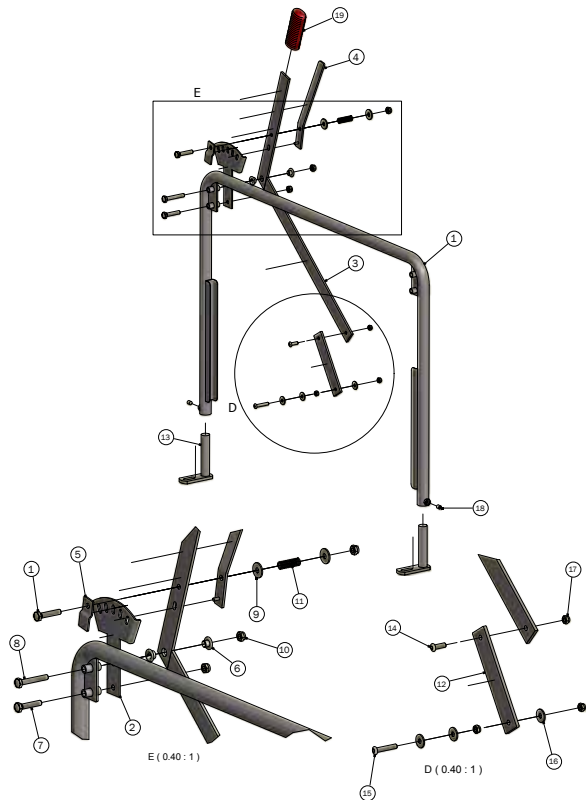
2700074 COVER WITHOUT HOLE FOR HEATING LAMP, UNASSEMBLED

Nº	QTY.	Part Nº	Description
1	1	8470028	FRONT PLATE WITHOUT HOLE FOR FLEX NEST
2	1	8470030	FRONT PLATE FOR FLEX NEST
3	2	2910590	PLASTIC HINGE
4	12	38305022	HEXAGON SOCKET SCREW M5X22 UH A2 DIN 7991
5	4	2920591	MOUNTING PLATE FOR SUSPEND
6	1	44512	FRONT RAIL CLIMATE WELSAFE
7	9	39106020	CONNECTION SCREW M6X20 STAINLESS TORX 30
8	9	33506011	COLLAR HEAD NUT M6 A2 DIN 6923
9	1	9960013	BLACK PLASTIC HANDGRIB,
10	2	38308045	HEXAGON SOCKET SCREW M8X65 CHA2 DIN 912
11	2	33908001	LOCK NUT M8 A2 DIN 985
12	1	44509	TENSION PL.F/BOT.AGITAT.STAINL
13	2	8440151	SUPPORT FOR NESTCOVER L= 790 MM



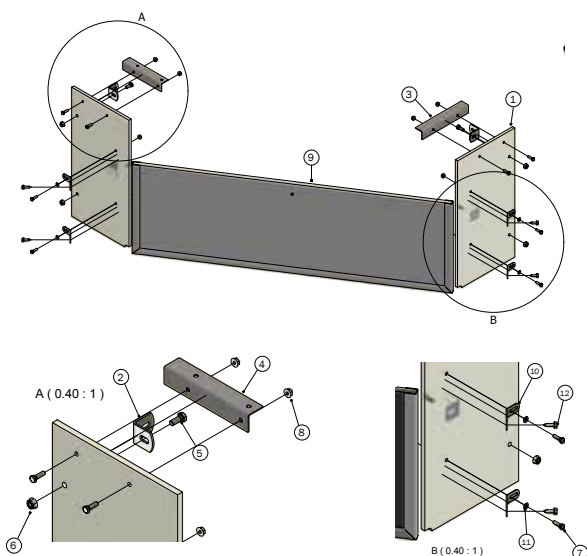
2700075 COVER WITH HOLE FOR HEATING LAMP, UNASSEMBLED

Nº	QTY.	Part Nº	Description
1	1	8470029	FRONT PLATE WITH HOLE FOR FLEX NEST
2	1	8470030	FRONT PLATE FOR FLEX NEST
3	2	2910590	PLASTIC HINGE
4	12	38305022	HEXAGON SOCKET SCREW M5X22 UH A2 DIN 7991
5	4	2920591	MOUNTING PLATE FOR SUSPEND
6	1	44512	FRONT RAIL CLIMATE WELSAFE
7	9	39106020	CONNECTION SCREW M6X20 STAINLESS TORX 30
8	9	33506011	COLLAR HEAD NUT M6 A2 DIN 6923
9	1	9960013	BLACK PLASTIC HANDGRIB
10	2	38308045	HEXAGON SOCKET SCREW M8X65 CHA2 DIN 912
11	2	33908001	LOCK NUT M8 A2 DIN 985
12	1	44509	TENSION PL.F/BOT.AGITAT.STAINL
13	2	8440151	SUPPORT FOR NESTCOVER L= 790 MM
14	4	67050	4.2 X 13 PLATE SCREW PH POZI GALV



2700073 KIT FOR ADJUSTABLE BARRIER PLATE, UNASSEMBLED

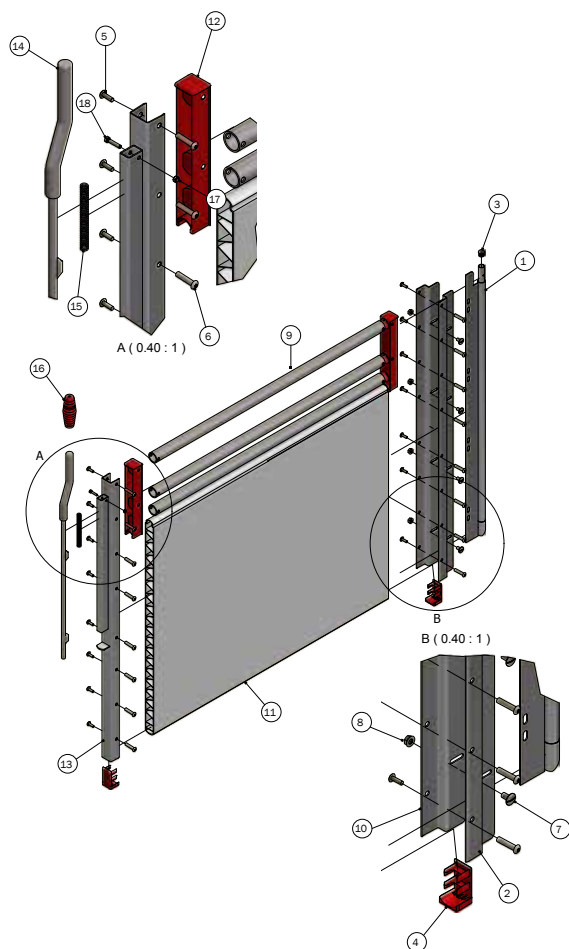
Nº	QTY.	Part Nº	Description
1	1	2720073	SLIDING RAIL FOR FLEX NEST
2	1	2720108	LOCKING CAM
3	1	2720102	LEVERARM FOR BARRIERPLATE
4	1	2720104	LOCK FOR HANDLE
5	1	2720103	LOCK FOR LEVERARM
6	1	42229	BUSHING FOR FENDER FARROWING CRATE
7	2	30310050	SET SCREW M10X50 A2 DIN 933
8	1	32310065	MACHINE SCREW M10X65 A2 DIN 931
9	2	35900085	NUT WASHER Ø10X10,5/30/2,5 A2DIN 9021
10	3	33900029	LOCK NUT M10 A2 DIN 985
11	1	58535	SPRING 1.5 X 15 X 45.5 MM
12	1	2720105	HINGE FOR PIGLETS NEST, POST PART
13	2	1215078	ADJUSTABLE POST Ø25X125 MM
14	1	67340	ALLEN SCREW M8 X 25 A2
15	1	67344	M8 X 45 BH SOCKET SCREW A2 ISO 7380
16	3	35600058	NUT WASHER Ø8X8,4/24/2 A2 DIN9021
17	3	33908001	LOCK NUT M8 A2 DIN 985
18	2	38310016	POINTED SCREW M10X16 W/POINT A2 DIN 914
19	1	59444	HANDLE FOR OPENING LEVER



2700077 SIDE H50 FOR FLEX NEST

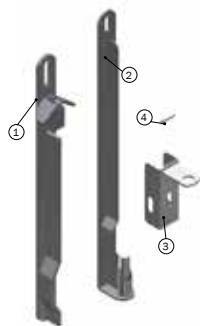
Nº	QTY.	Part Nº	Description
1	1	8470046	SIDE H50 FOR FLEX NEST
2	1	30900	WATER VALVE 1/4" PIPE THREAD, STAINLESS TYPE 5
3	1	8440152	SUPPORT FOR NESTCOVER L= 210 MM
4	1	8440150	SUPPORT FOR NESTCOVER L= 175 MM
5	1	30308020	SET SCREW M8X20 A2 DIN 933
6	1	68552	M8 FLANGE NUT DIN 6923 A2
7	2	30306020	SET SCREW M6X20 A2 DIN 933
8	1	33506011	COLLAR HEAD NUT M6 A2 DIN 6923
9	2	2760059	BARRIER PLATE H50
10	3	2750081	ASSEMBLY PART FOR FLEXNEST
11	1	35600032	FLAT WASHER Ø6X6,4/12/1,6 A2 DIN 125 A
12	1	34900038	SELF-DRILLING SCREW W/COLLAR 6.3X19 FZB DIN 7504 K

COMMON SALES SET



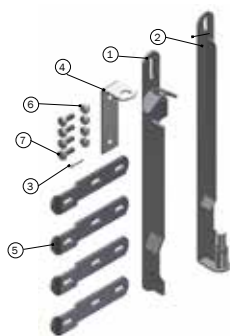
2710280 TÜR H100 KUNSTSTOFF PROFIL/3 ROHR 90-130 CM MIT ZAPPEN

Nº	QTY.	Part Nº	Description
1	1	38829	HINGE RAIL H100 CM INCL. PEG
2	1	38811	CLEAN-O-FLEX® Z-RAIL H100 LEFT
3	1	30077	PLUG Ø18 X 0,8-2,5/WELD ON PEG
4	2	30013	PLUG PANEL BOTTOM 50 CM/75 CM PANEL
5	16	39106020	CONNECTION SCREW M6X20 STAINLESS TORX 30
6	16	39206037	SPLICING SLEEVE M6X37 STAINLESS TORX 30
7	4	67323	8 X 16 SCREW SS FRH
8	4	68552	M8 FLANGE NUT DIN 6923 A2
9	3	112406	33.7 X 2.65 PIPE GALV. PRICE PER METER, LENGTH 6 METER
10	1	38812	CLEAN-O-FLEX® Z-RAIL H100 RIGHT
11	1	30105	BOARDPROFILE 35X750 MM SPEC. LENGTH PRICE PER METER
12	2	8530006	PLUG PANEL 3 TOPPIPE
13	1	4250532	UPOST FOR GATE WITH PIN LOCK
14	1	4120183	PIN FOR FUNKIFLEX
15	1	9929004	COMPRESSION SPRING 1,6X12X115 MM
16	1	1960192	HANDLE FOR PIN FOR GATES
17	1	33905000	LOCK NUT M5 A2 DIN 985
18	1	30305025	SET SCREW M5X25 A2 DIN 933



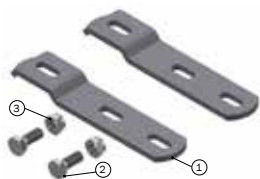
2700278 MOUNTING KIT FOR GATE WITH PIN LOCK

Nº	QTY.	Part Nº	Description
1	1	2920573	RECEIVER BRACKET FOR GATE WITH PIN LOCK
2	1	17363E	LOWER GATE BRACKET COF FOR 50X50 POST
3	1	2950572	UPPER GATE BRACKET 40X40 POST
4	1	35900095	SPLIT 4X40 A2 DIN 94



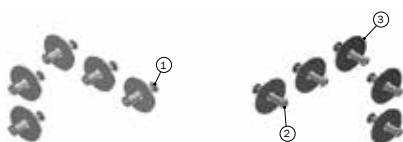
2700282 WALL MOUNTING KIT FOR GATE WITH PIN LOCK, HINGE SIDE

Nº	QTY.	Part Nº	Description
1	1	2920573	RECEIVER BRACKET FOR GATE WITH PIN LOCK
2	1	17363E	LOWER GATE BRACKET COF FOR 50X50 POST
3	1	35900095	SPLIT 4X40 A2 DIN 94
4	1	2950576	UPPER HINGE FOR COF GATE WITH BOLT ON BRACKET
5	4	4020449	WALL FITTINGS F/RM 110 W/FLATSTEEL
6	4	30310025	SET SCREW M10X25 A2 DIN 933
7	4	33900029	LOCK NUT M10 A2 DIN 985



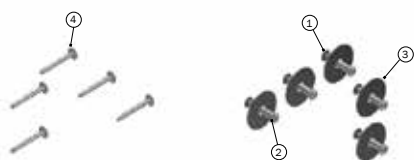
2700281 WALL BRACKET FOR RECEIVER, INCL. SCREWS

Nº	QTY.	Part Nº	Description
1	2	4020449	WALL FITTINGS F/RM 110 W/FLATSTEEL
2	2	30310025	SET SCREW M10X25 A2 DIN 933
3	2	33900029	LOCK NUT M10 A2 DIN 985



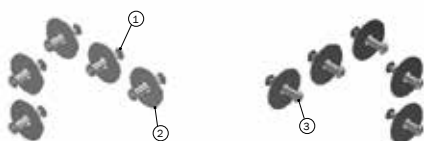
2700086 MOUNTING KIT SINGLE FLEX NEST BOARDPROFILE/BOARDPROFILE

Nº	QTY.	Part Nº	Description
1	10	39106020	CONNECTION SCREW M6X20 STAINLESS TORX 30
2	10	39206037	SPLICING SLEEVE M6X37 STAINLESS TORX 30
3	10	20037	MASTER CLAMP WASHER Ø10,5/45 1,5 A2



2700085 MOUNTING KIT SINGLE FLEX NESTBOARDPROFILE/WALL

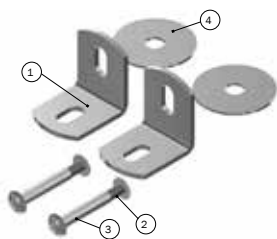
Nº	QTY.	Part Nº	Description
1	5	39106020	CONNECTION SCREW M6X20 STAINLESS TORX 30
2	5	39206037	SPLICING SLEEVE M6X37 STAINLESS TORX 30
3	5	20037	MASTER CLAMP WASHER Ø10,5/45 1,5 A2
4	5	39406050	CONCRETE SCREW 6,5 X 50 STAINLESS STEEL



2700083 MOUNTING KIT DOUBLE FLEX NESTBOARDPROFILE/BOARDPROFILE

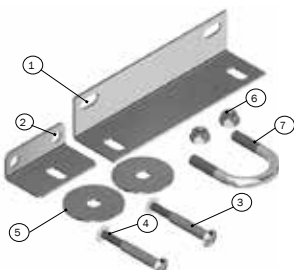
Nº	QTY.	Part Nº	Description
1	15	39106020	CONNECTION SCREW M6X20 STAINLESS TORX 30
2	15	20037	MASTER CLAMP WASHER Ø10,5/45 1,5 A2
3	15	39206037	SPLICING SLEEVE M6X37 STAINLESS TORX 30

COMMON SALES SET



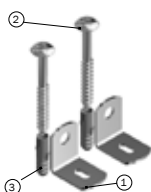
38518 MOUNT KIT F/U-POST H50 SINGLE IN BOARDPROFILE

Nº	QTY.	Part Nº	Description
1	2	30900	WALL BRACKET SMALL
2	2	39106020	CONNECTION SCREW M6X20 STAINLESS TORX 30
3	2	39206037	SPLICING SLEEVE M6X37 STAINLESS TORX 30
4	2	20037	MASTER CLAMP WASHER Ø10,5/45



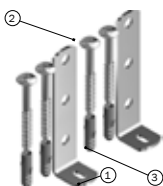
38527 MOUNT KIT F/U-POST AGAINST FRONT PART BOARDPROFILE/BARS

Nº	QTY.	Part Nº	Description
1	1	30901	ANGLE BRACKET, LONG
2	1	30898	ANGLE BRACKET FOR TOPBAR SMALL
3	2	39106020	CONNECTION SCREW M6X20 STAINLESS TORX 30
4	2	39206037	SPLICING SLEEVE M6X37 STAINLESS TORX 30
5	2	20037	MASTER CLAMP WASHER Ø10,5/45
6	1	90100062	U-BOLT 1" STAINLESS
7	2	33908001	LOCK NUT M8 A2 DIN 985



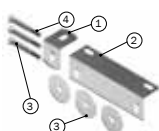
38520 MOUNT KIT FOR U-POST AGAINST WALL

Nº	QTY.	Part Nº	Description
1	2	30906	WALL BRACKET ANGLE/PANEL
2	4	67444	10 X 70 COACH SCREW TORX 50 SS
3	4	39900001	WALL PLUG 12X60 MM



38519 MOUNTING KIT FOR FRONT PART AGAINST WALL

Nº	QTY.	Part Nº	Description
1	2	30899	BRACKET FOR WALL LONG
2	4	67444	10 X 70 COACH SCREW TORX 50 SS
3	4	39900001	WALL PLUG 12X60 MM



38526 MOUNT KIT F/UPOST AGAINST FRONT PART BOARDPROFILE

Nº	QTY.	Part Nº	Description
1	1	30900	WALL BRACKET SMALL
2	1	30901	ANGLE BRACKET, LONG
3	3	39106020	CONNECTION SCREW M6X20 STAINLESS TORX 30
4	3	39206037	SPLICING SLEEVE M6X37 STAINLESS TORX 30
5	3	20037	MASTER CLAMP WASHER Ø10,5/45

WELSAFE FLEX DESCRIPTION

Procedure

1. The assembly starts with reviewing delivery note, packing slip and mold drawing.
2. The pen is measured.
3. Marking and assembly of the pen sides.
4. Assembly of piglets nest.
5. Assembly of rail and plasttrough.
6. Assembly of water supply for sows and piglets.
7. Assembly of front parts and safeguard bars.
8. Assembly and adjustment of gates (remember lubricant).

Running and maintenance

- Welsafe flex pen is delivered by ACO Funki, has a dimension for loose nursing sow with a weight interval of 170-300 kg.
- Reservation is taken for inappropriate behavior from the staff, such as heavy beating, use of wrong tools, etc.
- Reservation is taken for inappropriate behavior from pigs, caused by external stress, etc
- The warranties do not cover ordinary wear and accidental damages.
- PVC Board profiles and other PVC parts must not be cleaned by high-pressure cleaning for longer periods with a constant beam, and/or with increased pressure from a short distance. The recommended pressure is max. 180 bar.
- Heating lamp, gear, motor, motor protection, controllers, signals, hand witch, relies system etc. must not be cleaned by high pressure cleaner.
- Reservation is taken for inappropriate use of chemicals in connection with cleaning that could discolor or harm in form of etching.
- All water systems have to be cleaned frequently and decalcified.
- In connection with cleaning, the stable must dry out, in order for the components not to be exposed to constant moisture.
- All mounted and movable parts must be cleaned ongoing, retighten and lubricated. If the parts gets lose, they must be adjusted immediately to the right position. We recommend lubricating with grease and oil on all movable iron parts, like hinges, locks, gates, brackets, corner wheels, drive units etc.
- All wearing part is not reclaimable, because these parts are considered as consumables.
- Smaller spots of corrosion on stainless steel parts must be expected. Warranties are only valid for rust perforation.
- ACO Funki products can be damaged by outdoors storage. We recommend maximum 1 month outdoors storage. However one can expect changes in the surface such as discoloring, rust spots etc. already within the first month.
- ACO Funkis complaint-handling is according to current legislation.