

MOUNTING INSTRUCTION



INN-O-CORNER® PIGLETS NEST



ACO FUNKI A/S

Kirkevænget 5
DK-7400 Herning

Tel. +45 9711 9600

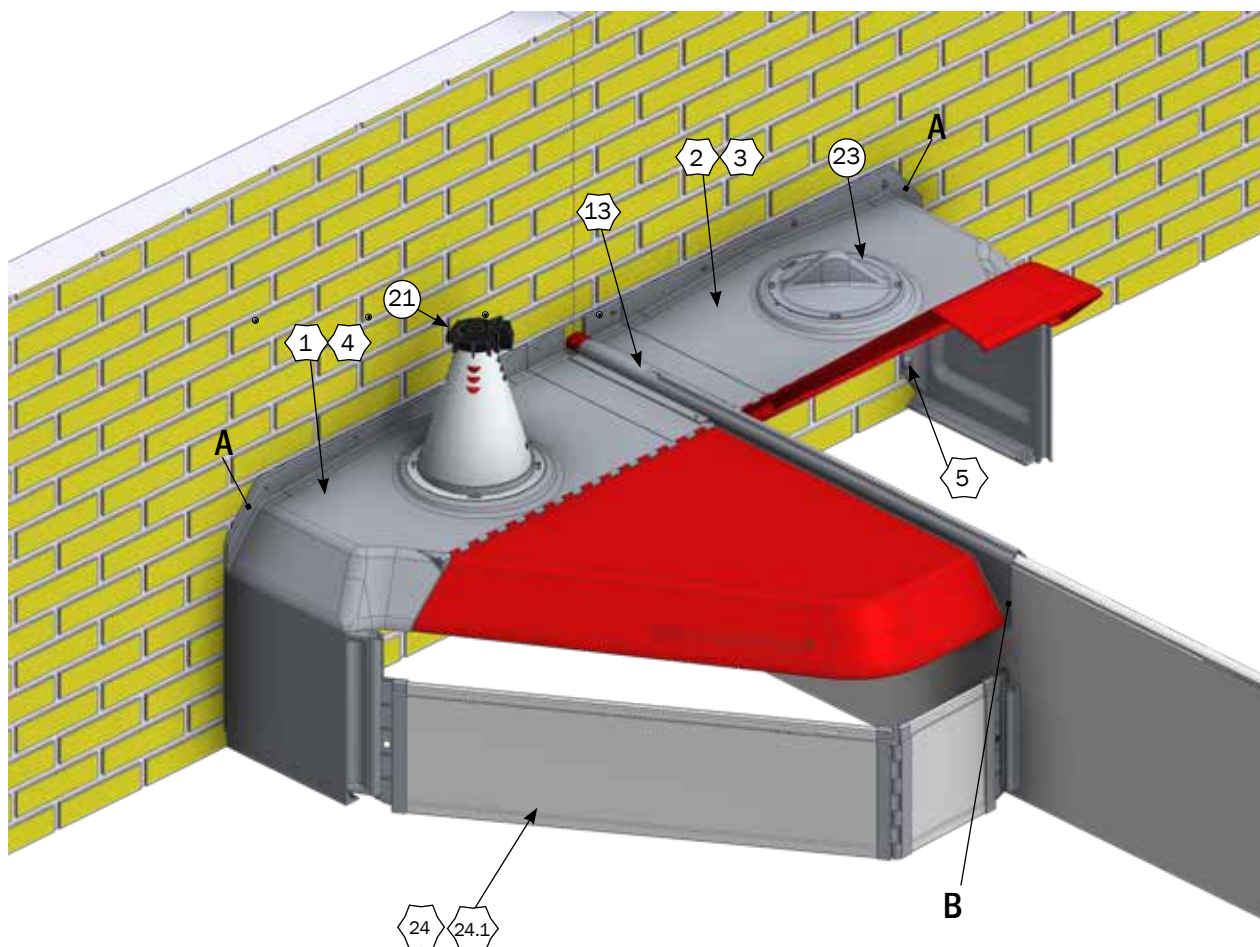
Fax +45 9711 9677

www.acofunki.com

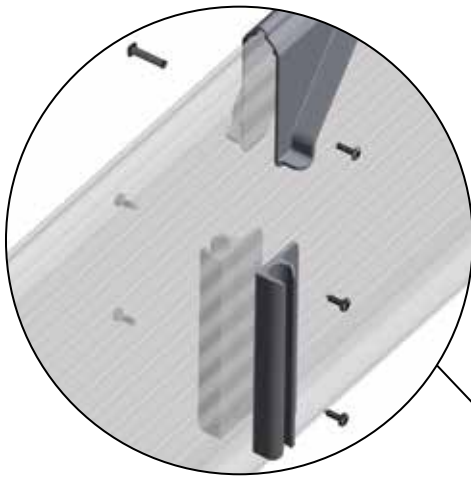
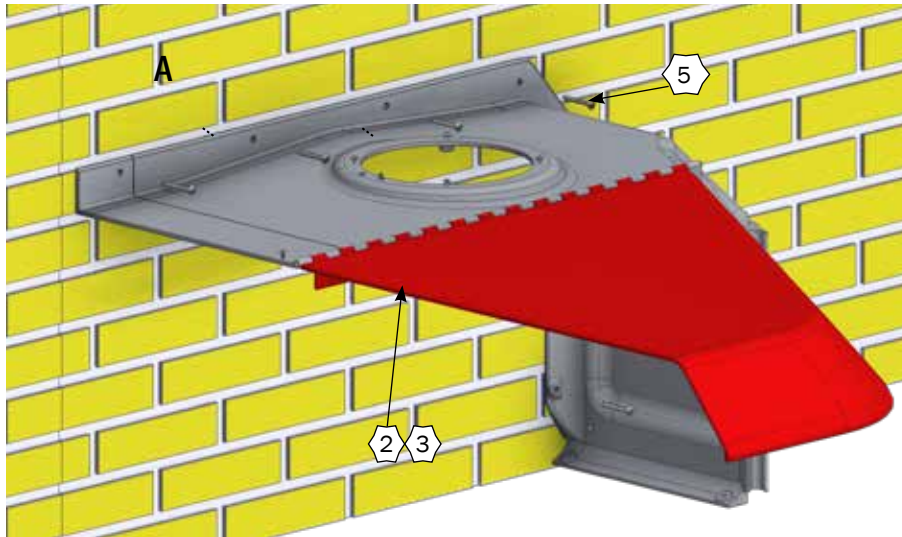
DANISH DESIGN | GERMAN QUALITY | GLOBAL EXPERIENCE

MOUNTING OF DOUBLE PIGLET NEST AGAINST WALL

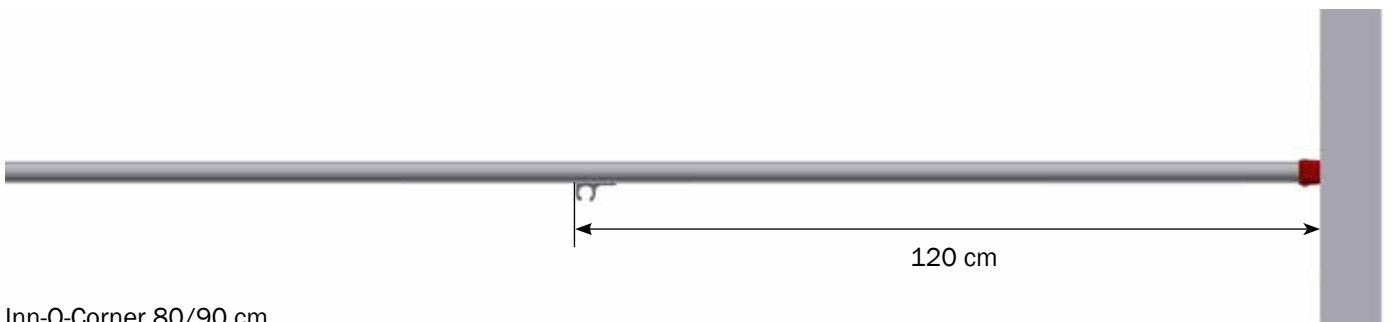
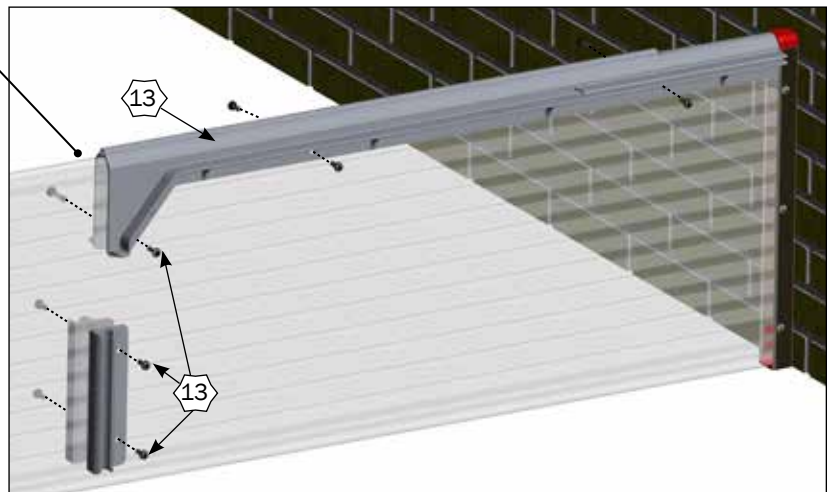
DOUBLE TOP PROFILE AGAINST BOARDPROFILE



Nº	QTY.	Part Nº	Description
1	1	44070	INN-O-CORNER 90 CM RIGHT
2	1	44060	INN-O-CORNER 90 CM LEFT
3	-	44080	INN-O-CORNER 80 CM LEFT
4	-	44090	INN-O-CORNER 80 CM RIGHT
5	2	41146	MOUNT KIT PIGLET NEST AGAINST WALL
13	1	41147	INN-O-CORNER TOPPROFIL DOUBLE WITH BOLTS
21	1	96342	MASTER LAMP 3 M CABLE, CE-PLUG
22	-	96341	MASTER LAMP 3 M CABLE, REGULAR PLUG
23	1	2960510	COVER FOR HEATING LAMP
24	1	44210	BLOCK PROFILE INN-O-BLOCK 90 CM
24.1	-	44215	BLOCK PROFILE INN-O-BLOCK 80 CM



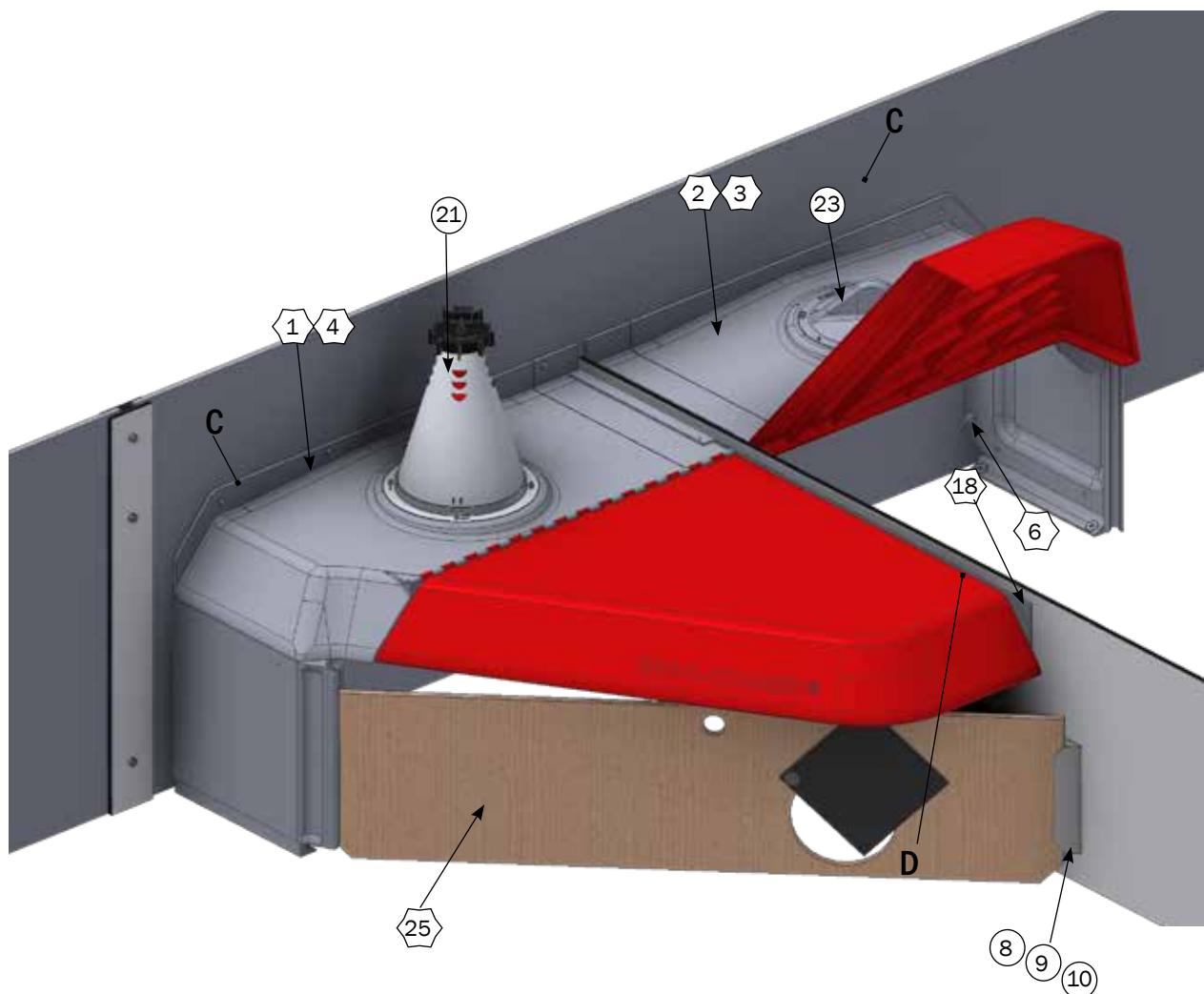
B



Inn-O-Corner 80/90 cm

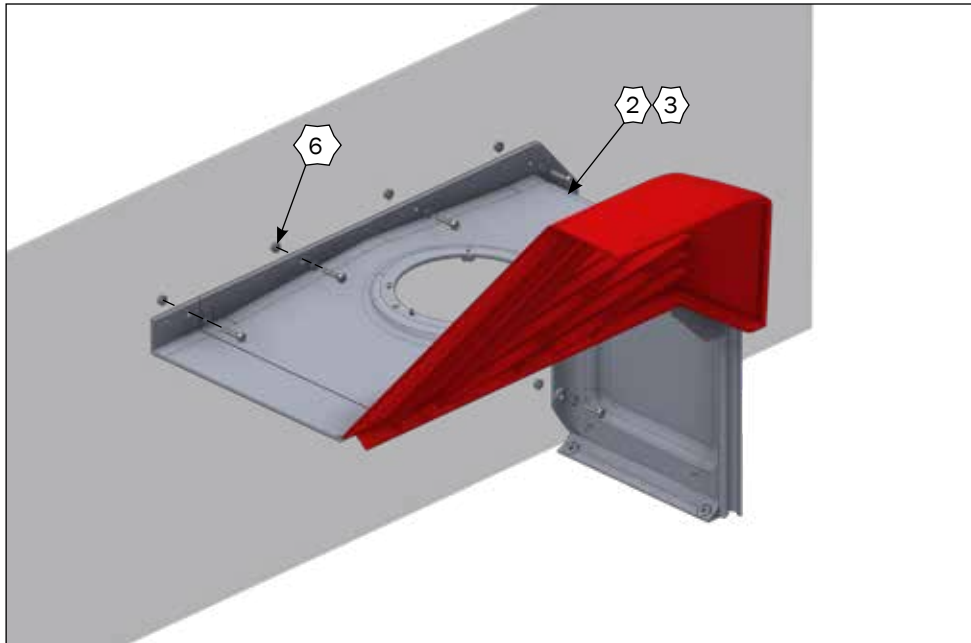
MOUNTING OF DOUBLE PIGLET NEST AGAINST PLATE

DOUBLE TOP PROFILE AGAINST PLATE

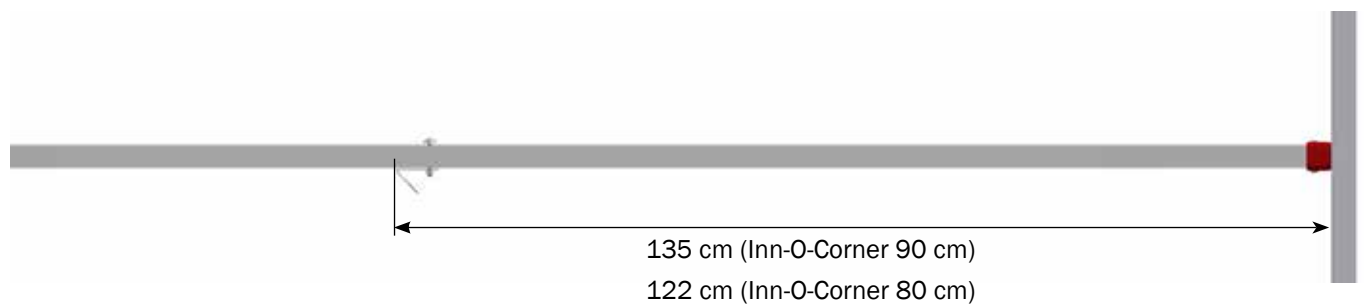
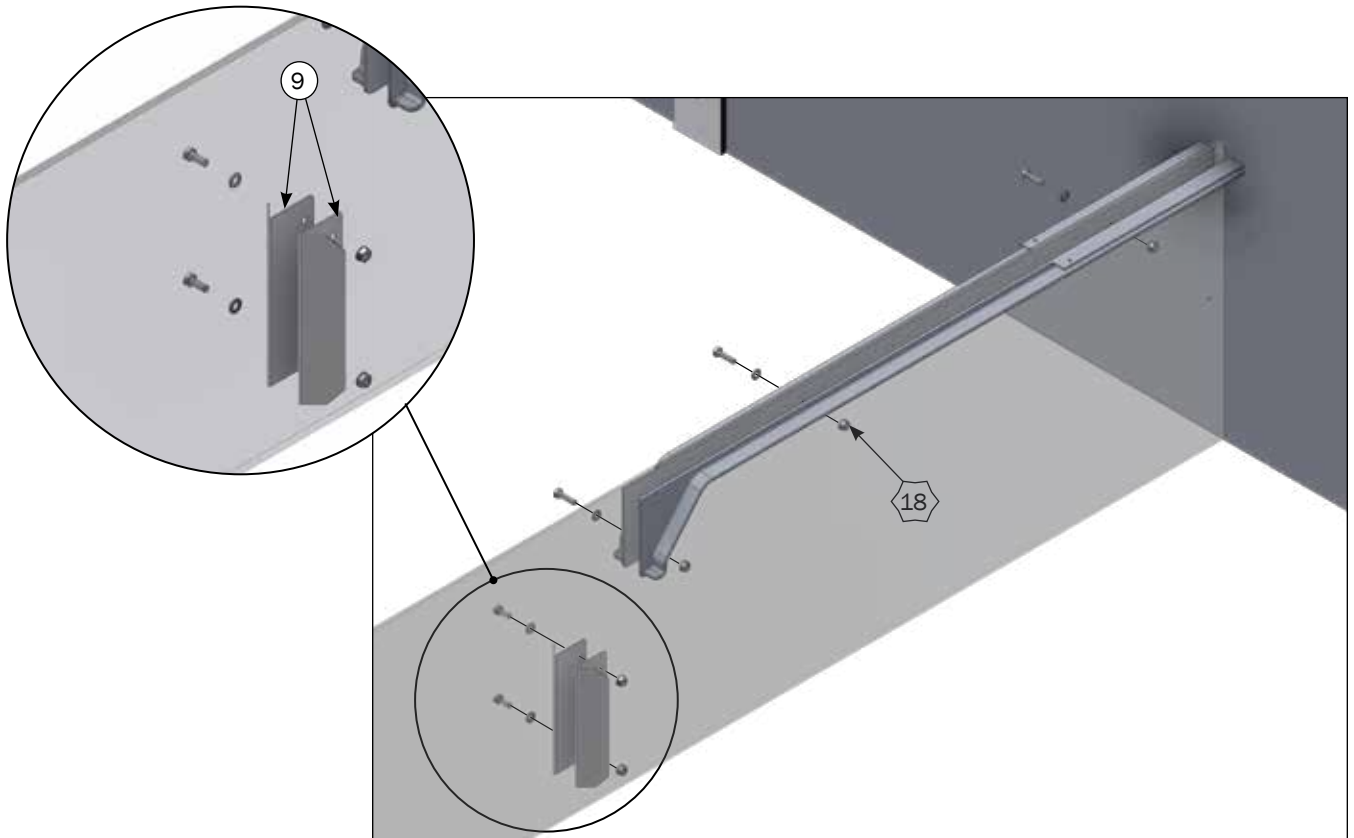


Nº	QTY.	Part Nº	Description
1	1	44070	INN-O-CORNER 90 CM RIGHT
2	1	44060	INN-O-CORNER 90 CM LEFT
3	-	44080	INN-O-CORNER 80 CM LEFT
4	-	44090	INN-O-CORNER 80 CM RIGHT
6	1	2900631	MOUNTING KIT FOR PIGLET NEST AGAINST FIBER WASHING WALL
8	-	2900519	FITTING FOR RETAINING PLATE FOR NEST AGAINST WALL
9	2	2900633	FITTING FOR RETAINING PLATE FOR NEST AGAINST SIDE PLATE
10	-	2900516	FITTING FOR RETAINING PLATE FOR NEST AGAINST BOARDPROFILE
18	1	2900645	INN-O-CORNER WALLPROFILE WITH BOLT AGAINST PLATE, DOUBLE
21	1	96342	MASTER LAMP 3 M CABLE, CE-PLUG
22	-	96341	MASTER LAMP 3 M CABLE, REGULAR PLUG
23	1	2960510	COVER FOR HEATING LAMP
25	1	44220	BLOCKING PLATE W/HOLE FOR PIGLETS

C

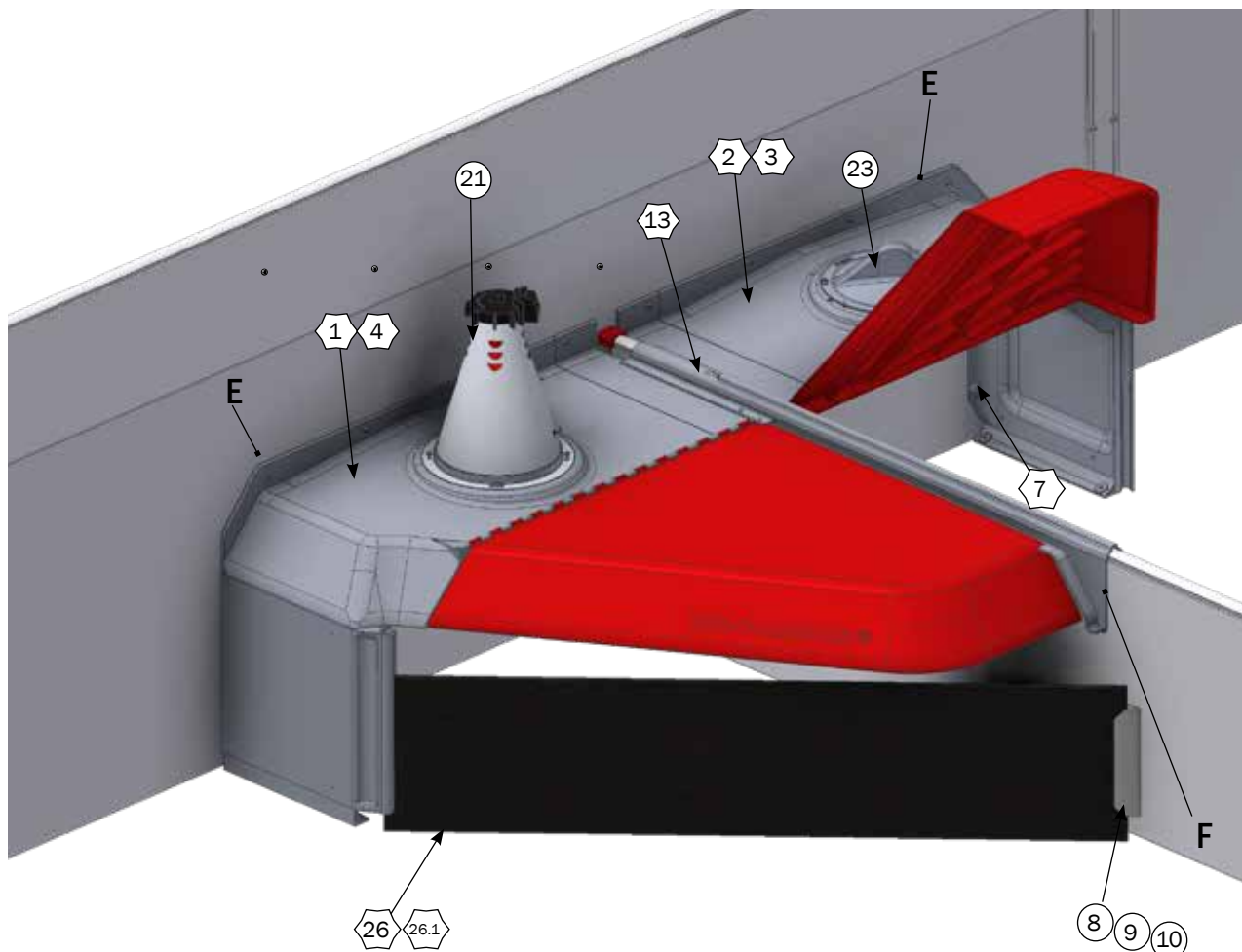


D



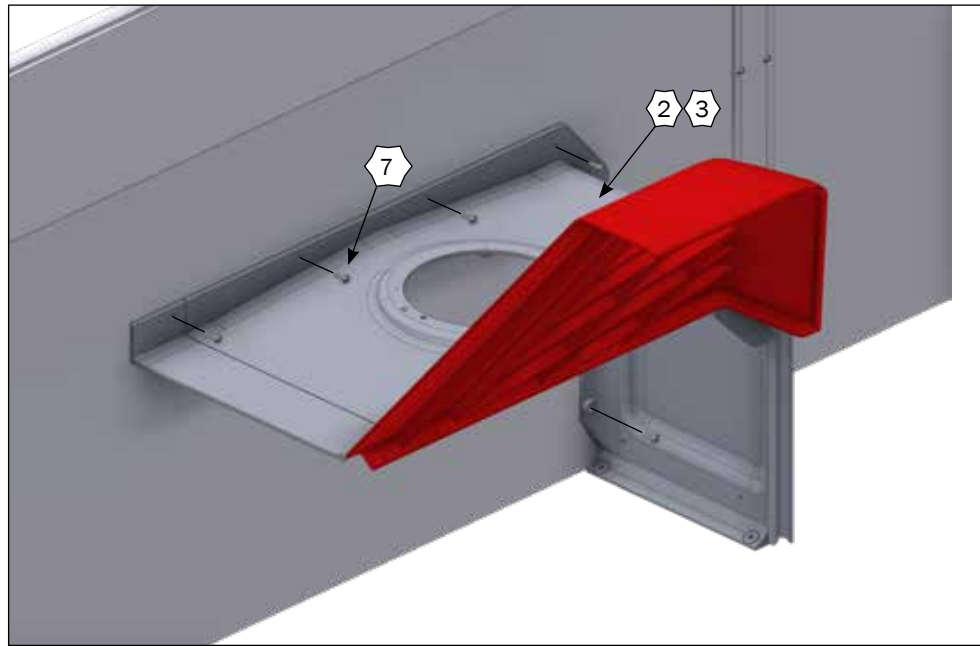
MOUNTING OF DOUBLE PIGLET NEST AGAINST BOARDPROFILE

DOUBLE TOP PROFILE AGAINST BOARDPROFILE

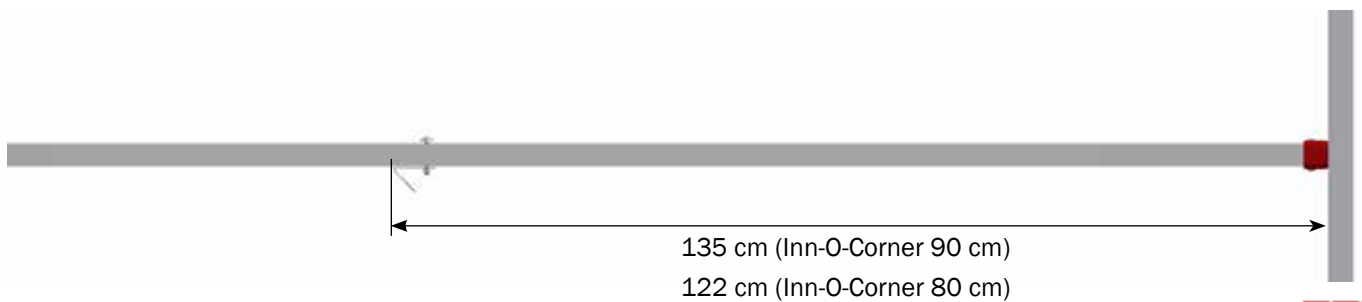
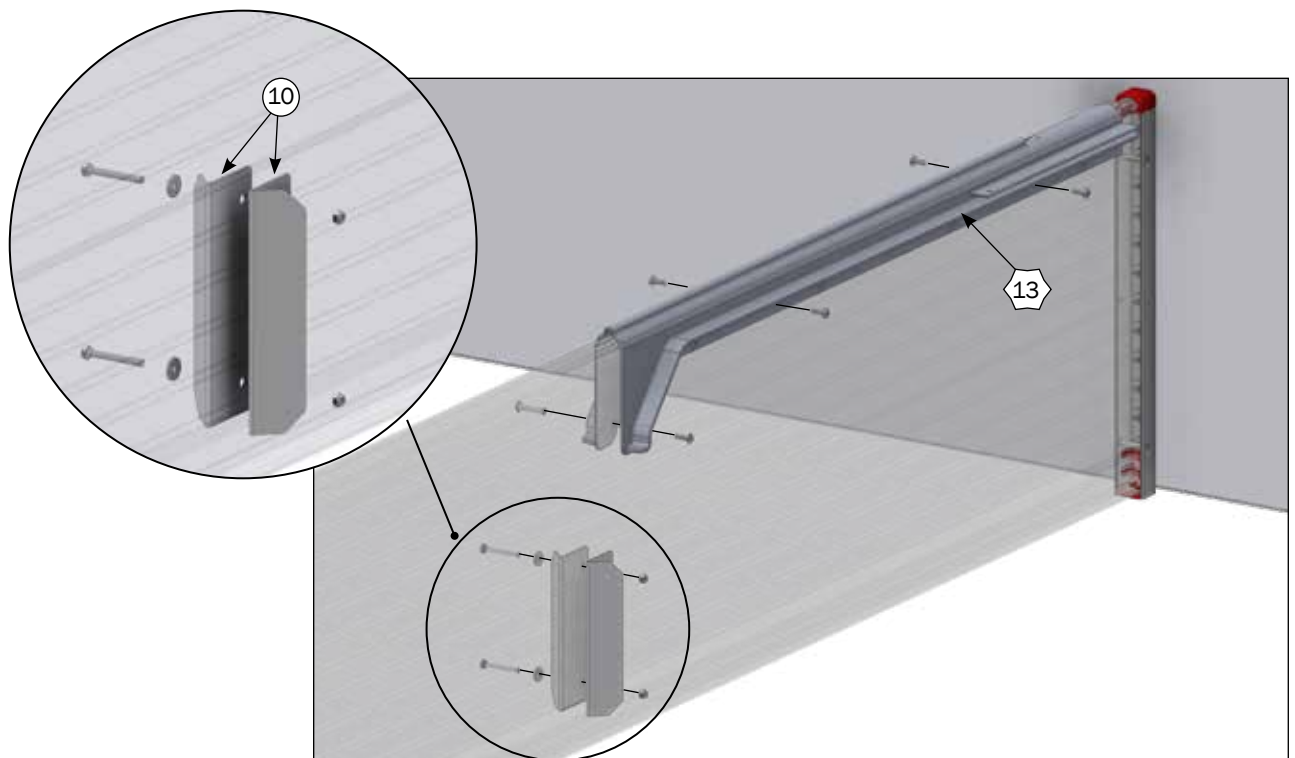


Nº	QTY.	Part Nº	Description
1	1	44070	INN-O-CORNER 90 CM RIGHT
2	1	44060	INN-O-CORNER 90 CM LEFT
3	-	44080	INN-O-CORNER 80 CM LEFT
4	-	44090	INN-O-CORNER 80 CM RIGHT
7	2	41145	MOUNT KIT PIGLET NEST AGAINST BOARDPROFILE
8	-	2900519	FITTING FOR RETAINING PLATE FOR NEST AGAINST WALL
9	-	2900633	FITTING FOR RETAINING PLATE FOR NEST AGAINST SIDE PLATE
10	2	2900516	FITTING FOR RETAINING PLATE FOR NEST AGAINST BOARDPROFILE
13	1	41147	INN-O-CORNER TOPPROFIL DOUBLE WITH BOLT
21	1	96342	MASTER LAMP 3 M CABLE, CE-PLUG
22	-	96341	MASTER LAMP 3 M CABLE, REGULAR PLUG
23	1	2960510	COVER FOR HEATING LAMP
26	1	8460390	BLOCKING PLATE 1270X290 MM

E

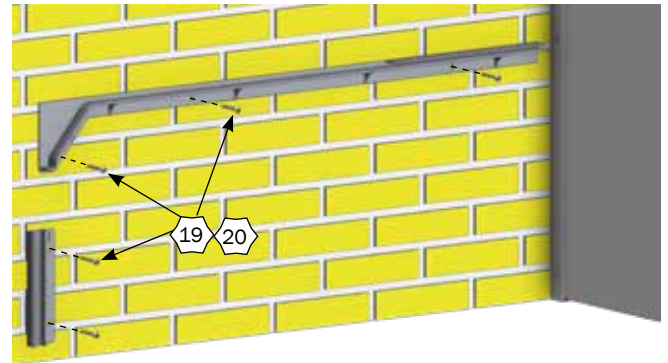
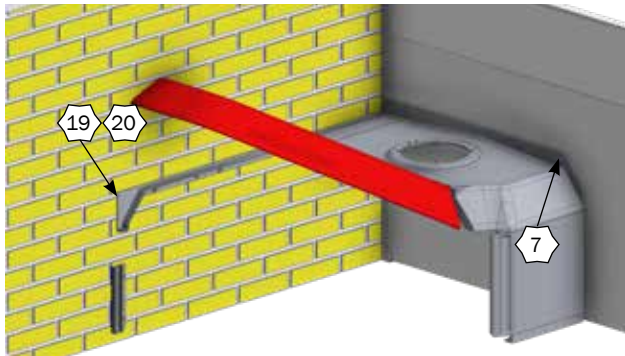


F



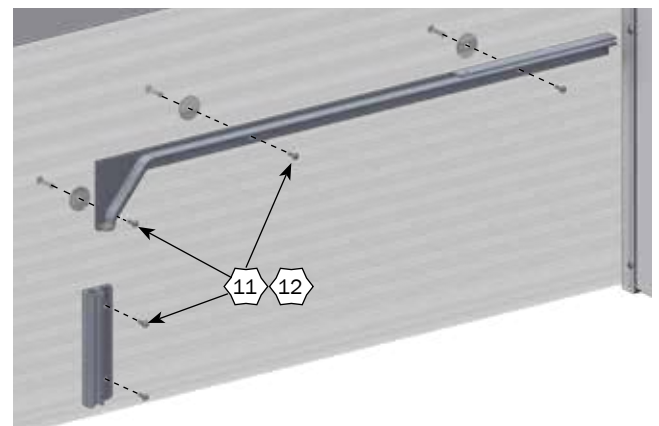
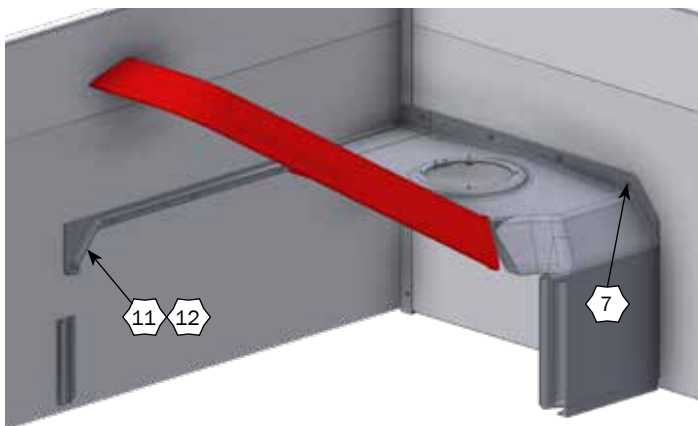
MOUNTING OF SINGLE PIGLET NEST

PROFILE AGAINST WALL



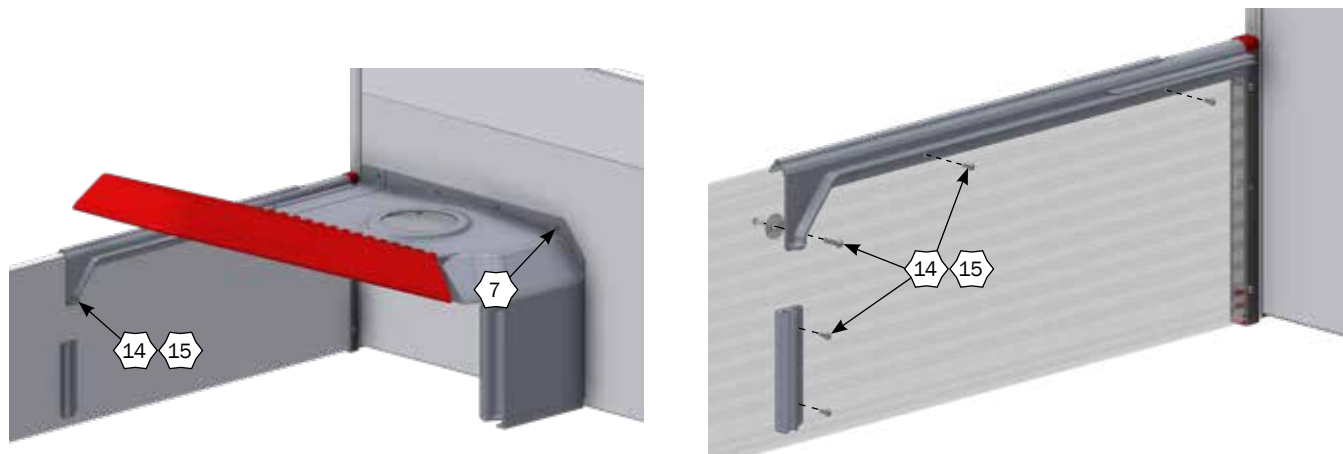
Nº	QTY.	Part Nº	Description
7	1	41145	MOUNT KIT PIGLET NEST AGAINST BOARDPROFILE
19	1	43517	INN-O-CORNER WALLPROFILE LEFT WITH BOLT AGAINST WALL
20	-	43512	INN-O-CORNER WALLPROFILE RIGHT WITH BOLT AGAINST WALL

PROFILE AGAINST BOARD PROFILE



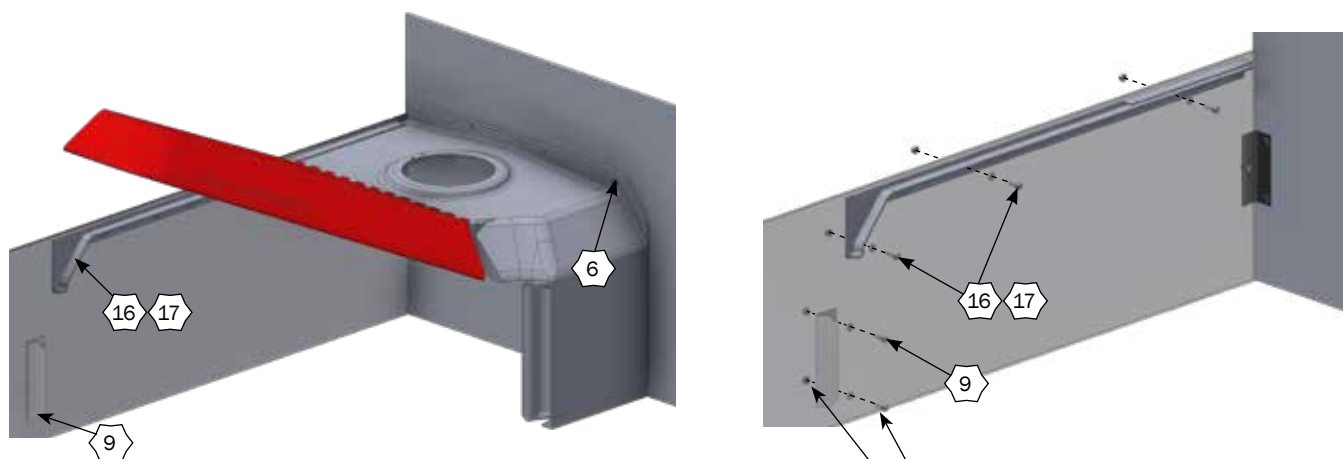
Nº	QTY.	Part Nº	Description
7	1	41145	MOUNT KIT PIGLET NEST AGAINST BOARDPROFILE
11	-	43511	INN-O-CORNER WALLPROFILE RIGHT WITH BOLT AGAINST BOARDPROFILE
12	1	43516	INN-O-CORNER WALLPROFILE LEFT WITH BOLT AGAINST BOARDPROFILE

TOP PROFILE ON BOARDPROFILE AGAINST AISLE



Nº	QTY.	Part Nº	Description
7	1	41145	MOUNT KIT PIGLET NEST AGAINST BOARDPROFILE
14	-	43510	INN-O-CORNER TOPPROFILE RIGHT WITH BOLT AGAINST AISLE, BOARDPROFILE
15	1	43515	INN-O-CORNER TOPPROFILE LEFT WITH BOLT AGAINST AISLE, BOARDPROFILE

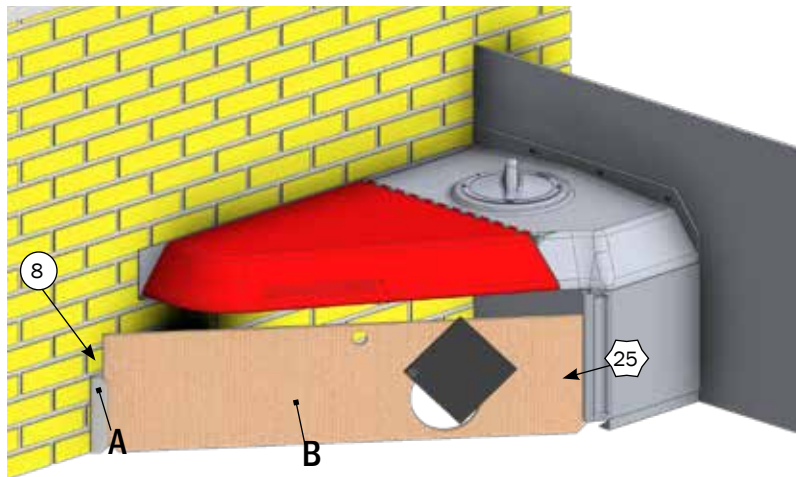
PROFILE AGAINST PLATE



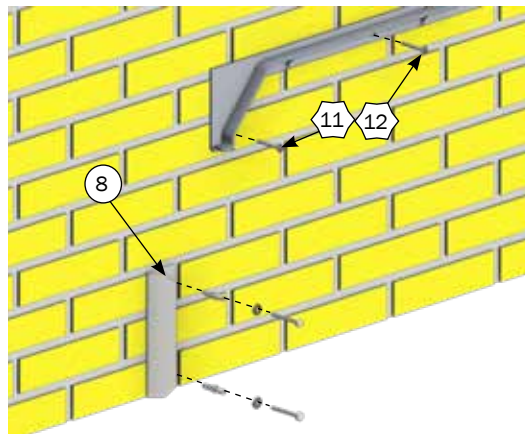
*When mounting only 1 piece of 2900633, 1 extra bolt and nut are purchased separately.

Nº	QTY.	Part Nº	Description
6	1	2900631	MOUNTING KIT FOR PIGLET NEST AGAINST FIBER WASHING WALL
* 9	1	2900633	FITTING FOR RETAINING PLATE FOR NEST AGAINST SIDE PLATE
16	-	2900644	INN-O-CORNER WALLPROFILE LEFT WITH BOLT AGAINST PLATE
17	1	2900646	INN-O-CORNER WALLPROFILE RIGHT WITH BOLT AGAINST PLATE

BLOCKING PLATE WITH HOLE FOR PIGLETS



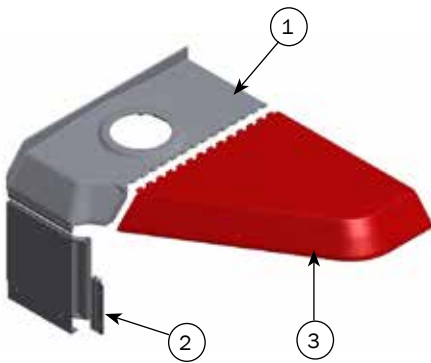
A



B

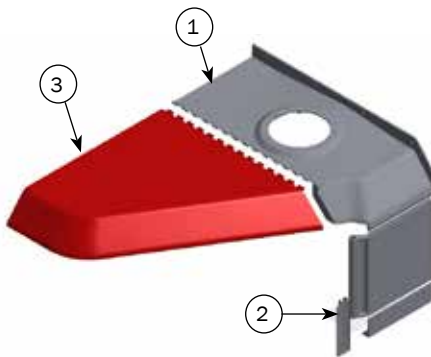


Nº	QTY.	Part Nº	Description
8	1	2900519	FITTING FOR RETAINING PLATE FOR NEST AGAINST WALL
11	1	43517	INN-O-CORNER WALLPROFILE LEFT WITH BOLT AGAINST WALL
12	-	43512	INN-O-CORNER WALLPROFILE RIGHT WITH BOLT AGAINST WALL
25	1	44220	BLOCKING PLATE W/HOLE FOR PIGLETS



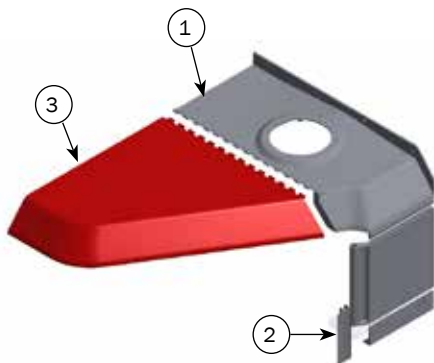
1 44070 INN-O-CORNER 90 CM RIGHT

Nº	QTY.	Part Nº	Beskrivelse
1	1	44011	INN-O-CORNER TOP 90 CM RIGHT INCL. HINGE JOINT
2	1	44000	ACCESSORY KIT FOR INN-O-CORNER
3	1	44021	INN-O-CORNER 90 CM COVER RIGHT



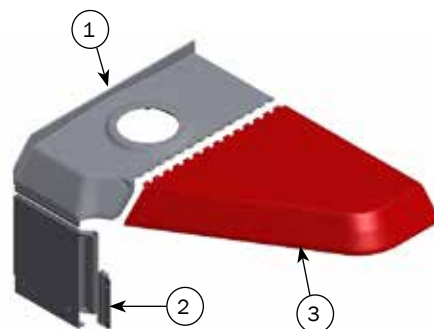
2 44060 INN-O-CORNER 90 CM LEFT

Nº	QTY.	Part Nº	Description
1	1	44010	INN-O-CORNER TOP 90 CM LEFT INCL. HINGE JOINT
2	1	44000	ACCESSORY KIT FOR INN-O-CORNER
3	1	44020	INN-O-CORNER 90 CM COVER LEFT



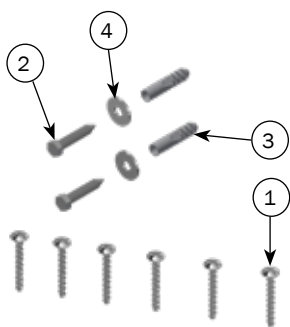
3 44080 INN-O-CORNER 80 CM LEFT

Nº	QTY.	Part Nº	Beskrivelse
1	1	44014	INN-O-CORNER 80 CM TOP LEFT INCL. HINGE JOINT
2	1	44000	ACCESSORY KIT FOR INN-O-CORNER
3	1	44024	INN-O-CORNER 80 CM COVER LEFT

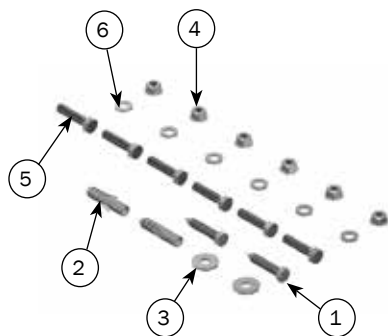


4 44090 INN-O-CORNER 80 CM RIGHT

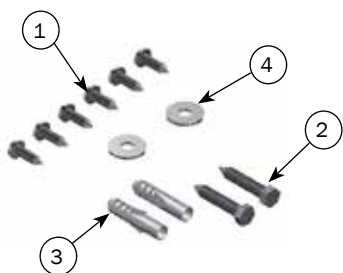
Nº	QTY.	Part Nº	Description
1	1	44015	INN-O-CORNER 80 CM TOP RIGHT INCL. HINGE JOINT
2	1	44000	ACCESSORY KIT FOR INN-O-CORNER
3	1	44025	INN-O-CORNER 80 CM COVER RIGHT



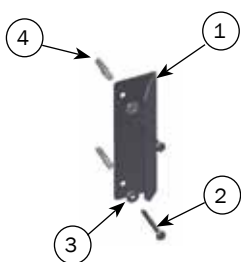
5 41146 MOUNT KIT INN-O-CORNER AGAINST WALL			
Nº	QTY.	Part Nº	Description
1	6	39406050	CONCRETE SCREW 6,5 X 50 STAINLESS STEEL
2	2	34908041	COUCH SCREW M8X40 A2 DIN 571
3	2	39900120	WALL PLUG 10X50MM
4	2	35600058	NUT WASHER Ø8X8,4/24/2 A2 DIN9021



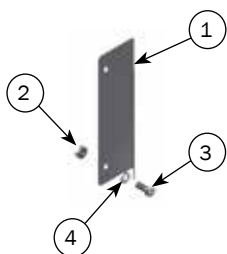
6 2900631 MOUNTING KIT FOR PIGLET NEST AGAINST FIBER WASHING WALL			
Nº	QTY.	Part Nº	Description
1	2	34908041	COUCH SCREW M8X40 A2 DIN 571
2	2	39900120	WALL PLUG 10X50MM
3	2	35600058	NUT WASHER Ø8X8,4/24/2 A2 DIN9021
4	6	68552	M8 FLANGE NUT DIN 6923 A2
5	6	30308035	SET SCREW M8X35 A2 DIN 933
6	6	35600037	FLAT WASHER Ø8X8,4/16/1,6 A2 DIN 125 A



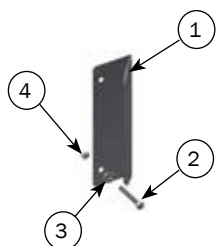
7 41145 MOUNT KIT PIGLET NEST AGAINST BOARDPROFILE			
Nº	QTY.	Part Nº	Description
1	6	67088	6,3 X 22 PLATE SCREW PH POZUSP
2	2	34908041	COUCH SCREW M8X40 A2 DIN 571
3	2	39900120	WALL PLUG 10X50MM
4	2	35600058	NUT WASHER Ø8X8,4/24/2 A2 DIN9021



8 2900519 FITTING FOR RETAINING PLATE FOR NEST AGAINST WALL			
Nº	QTY.	Part Nº	Description
1	1	2920516	FITTING FOR RETAINING PLATE FOR NEST
2	1	34906060	COUCH SCREW M6X60 A2 DIN 571
3	1	35600093	NUT WASHER Ø6X6,4/18/1,6 A2 DIN 9021
4	1	39900000	WALL PLUG 8X40MM

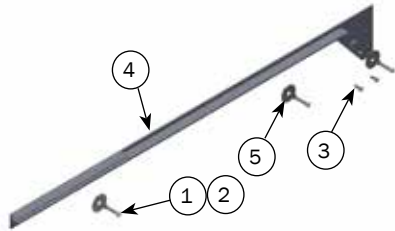


9 2900633 FITTING FOR RETAINING PLATE FOR NEST AGAINST SIDE PLATE			
Nº	QTY.	Part Nº	Description
1	1	2920516	FITTING FOR RETAINING PLATE FOR NEST
2	1	68552	M8 FLANGE NUT DIN 6923 A2
3	1	30308020	SET SCREW M8X20 A2 DIN 933
4	1	35600037	FLAT WASHER Ø8X8,4/16/1,6 A2 DIN 125 A



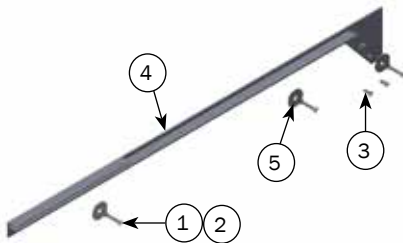
10 2900516 FITTING FOR RETAINING PLATE FOR NEST AGAINST BOARDPROFILE			
Nº	QTY.	Part Nº	Description
1	1	2920516	FITTING FOR RETAINING PLATE FOR NEST
2	1	30306050	SET SCREW M6X50 A2 DIN 933
3	1	35600093	NUT WASHER Ø6X6,4/18/1,6 A2 DIN 9021
4	1	33596010	LOCK NUT M6 A2 DIN 985

PROFILE AGAINST BOARDPROFILE



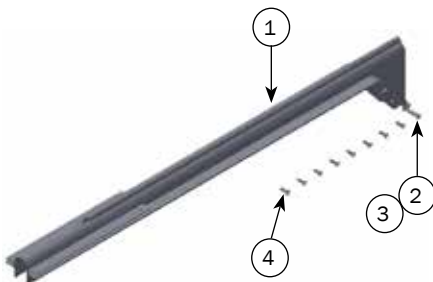
11 43511 INN-O-CORNER WALLPROFILE RIGHT WITH BOLT AGAINST BOARDPROFILE

Nº	QTY.	Part Nº	Description
1	3	39106020	CONNECTION SCREW M6X20 STAINLESS TORX 30
2	3	39206037	SPLICING SLEEVE M6X37 STAINLESS TORX 30
3	2	67088	6,3 X 22 PLATE SCREW PH POZUSP
4	1	44007	INN-O-CORNER TOP PROFILE RIGHT AGAINST WALL
5	3	20037	MASTER CLAMP WASHER Ø10,5/45 1,5 A2



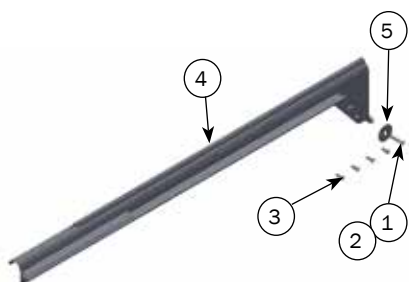
12 43516 INN-O-CORNER WALLPROFILE LEFT WITH BOLT AGAINST BOARDPROFILE

Nº	QTY.	Part Nº	Description
1	3	39106020	CONNECTION SCREW M6X20 STAINLESS TORX 30
2	3	39206037	SPLICING SLEEVE M6X37 STAINLESS TORX 30
3	2	67088	6,3 X 22 PLATE SCREW PH POZUSP
4	1	44006	INN-O-CORNER TOP PROFILE LEFT AGAINST WALL
5	3	20037	MASTER CLAMP WASHER Ø10,5/45 1,5 A2



13 41147 INN-O-CORNER TOPPROFILE DOUBLE WITH BOLTS, BOARDPROFILE

Nº	QTY.	Part Nº	Description
1	1	44008	INN-O-CORNER TOP PROFILE DOUBLE
2	1	39106020	CONNECTION SCREW M6X20 STAINLESS TORX 30
3	1	39206037	SPLICING SLEEVE M6X37 STAINLESS TORX 30
4	8	67088	6,3 X 22 PLATE SCREW PH POZUSP



14 43510 INN-O-CORNER TOPPROFILE RIGHT WITH BOLT AGAINST AISLE , BOARDPROFILE

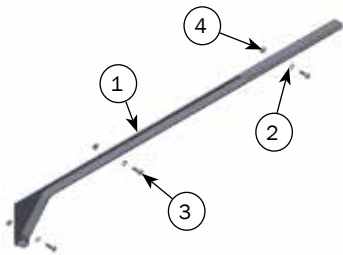
Nº	QTY.	Part Nº	Description
1	1	39106020	CONNECTION SCREW M6X20 STAINLESS TORX 30
2	1	39206037	SPLICING SLEEVE M6X37 STAINLESS TORX 30
3	4	67088	6,3 X 22 PLATE SCREW PH POZUSP
4	1	44005	INN-O-CORNER TOP PROFILE RIGHT AGAINST AISLE
5	1	20037	MASTER CLAMP WASHER Ø10,5/45 1,5 A2



15 INN-O-CORNER TOPPROFILE LEFT WITH BOLT AGAINST AISLE, BOARDPROFILE

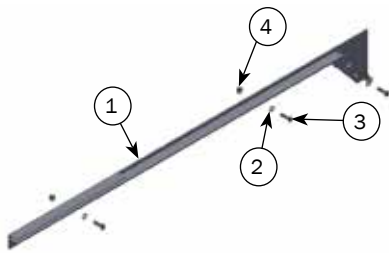
Nº	QTY.	Part Nº	Description
1	1	39106020	CONNECTION SCREW M6X20 STAINLESS TORX 30
2	1	39206037	SPLICING SLEEVE M6X37 STAINLESS TORX 30
3	4	67088	6,3 X 22 PLATE SCREW PH POZUSP
4	1	44004	INN-O-CORNER TOP PROFILE LEFT AGAINST AISLE
5	1	20037	MASTER CLAMP WASHER Ø10,5/45 1,5 A2

PROFILE AGAINST PLATE



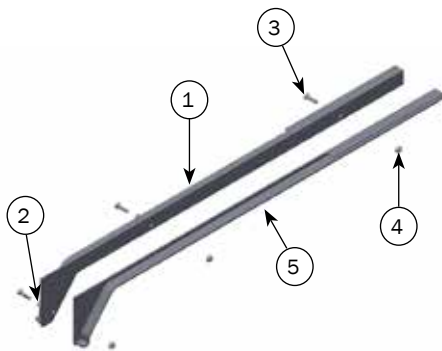
16 2900644 INN-O-CORNER WALLPROFILE LEFT WITH BOLT AGAINST PLATE

Nº	QTY.	Part Nº	Description
1	1	44006	INN-O-CORNER TOP PROFILE LEFT AGAINST WALL
2	3	35600037	FLAT WASHER Ø8X8,4/16/1,6 A2 DIN 125 A
3	3	30308025	SET SCREW M8X25 A2 DIN 933
4	3	68552	M8 FLANGE NUT DIN 6923 A2



17 2900646 INN-O-CORNER WALLPROFILE RIGHT WITH BOLT AGAINST PLATE

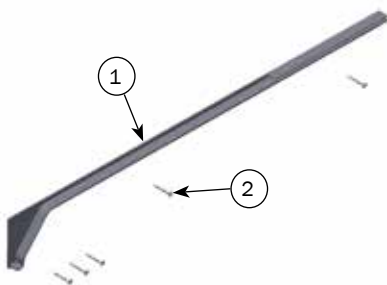
Nº	QTY.	Part Nº	Description
1	1	44007	INN-O-CORNER TOP PROFILE RIGHT AGAINST WALL
2	3	35600037	FLAT WASHER Ø8X8,4/16/1,6 A2 DIN 125 A
3	3	30308025	SET SCREW M8X25 A2 DIN 933
4	3	68552	M8 FLANGE NUT DIN 6923 A2



18 2900645 INN-O-CORNER WALLPROFILE WITH BOLT AGAINST PLATE, DOUBLE

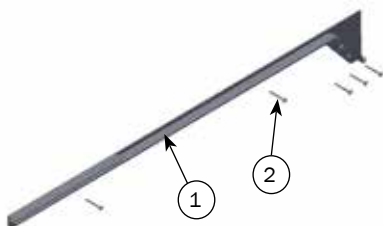
Nº	QTY.	Part Nº	Description
1	1	44007	INN-O-CORNER TOP PROFILE RIGHT AGAINST WALL
2	3	35600037	FLAT WASHER Ø8X8,4/16/1,6 A2 DIN 125 A
3	3	30308025	SET SCREW M8X25 A2 DIN 933
4	3	68552	M8 FLANGE NUT DIN 6923 A2
5	1	44006	INN-O-CORNER TOP PROFILE LEFT AGAINST WALL

PROFILE AGAINST WALL



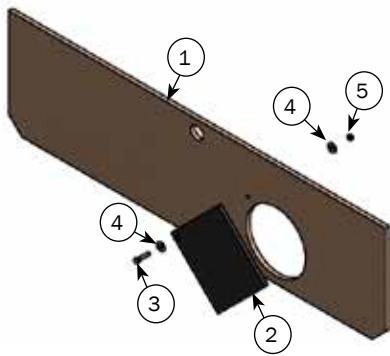
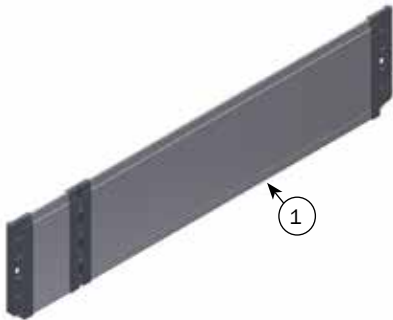
19 43517 INN-O-CORNER WALLPROFILE LEFT WITH BOLT AGAINST WALL

Nº	QTY.	Part Nº	Description
1	1	44006	INN-O-CORNER TOP PROFILE LEFT AGAINST WALL
2	5	39406050	CONCRETE SCREW 6,5 X 50 STAINLESS STEEL



20 43512 INN-O-CORNER WALLPROFILE RIGHT WITH BOLT AGAINST WALL

Nº	QTY.	Part Nº	Description
1	1	44007	INN-O-CORNER TOP PROFILE RIGHT AGAINST WALL
2	5	39406050	CONCRETE SCREW 6,5 X 50 STAINLESS STEEL



21 MASTER LAMP			
Nº	QTY.	Part Nº	Description
1	1	96341	MASTER LAMP 3 M CABLE, REGULAR PLUG

23 COVER FOR HEATING LAMP			
Nº	QTY.	Part Nº	Description
1	1	2960510	COVER FOR HEATING LAMP

24 24.1 BLOCK PROFILE INN-O-BLOCK			
Nº	QTY.	Part Nº	Description
1	1	44210	BLOCK PROFILE INN-O-BLOCK 90 CM
1	1	44215	BLOCK PROFILE INN-O-BLOCK 80 CM

25 25.1 BLOCKING PLATE W/HOLE FOR PIGLETS			
Nº	QTY.	Part Nº	Description
	1	44220	BLOCKING PLATE WITH HOLE FOR PIGLETS, 90 CM PIGLET NEST
1	1	97016	PLATE 12 MM 1235 X 300 MM WITH HOLE FOR 90 CM PIGLET NEST
2	1	97017	PLASTIC PLATE 10 MM 20 X 20 CM
3	1	30308035	SET SCREW M8X35 A2 DIN 933
4	2	35600058	FLAT WASHER Ø8.4X24X2 MM A2 DIN 9021
5	1	33908001	LOCK NUT M8 A2 DIN 985 WAXED
	1	2700520	BLOCKING PLATE WITH HOLE FOR PIGLETS, 80 CM PIGLET NEST
1	1	8490033	PLATE 12 MM 1205 X 300 MM WITH HOLE FOR 80 CM PIGLET NEST
2	1	97017	PLASTIC PLATE 10 MM 20 X 20 CM
3	1	30308035	SET SCREW M8X35 A2 DIN 933
4	2	35600058	FLAT WASHER Ø8.4X24X2 MM A2 DIN 9021
5	1	33908001	LOCK NUT M8 A2 DIN 985 WAXED

26 26.1 BLOCKING PLATE 1270X290 MM			
Nº	QTY.	Part Nº	Description
1	1	8460390	BLOCKING PLATE 1270X290 MM FOR 90 CM PIGLETS NEST COVER
1	1	8460557	BLOCKING PLATE 1205X290 MM FOR 80 CM PIGLETS NEST COVER

