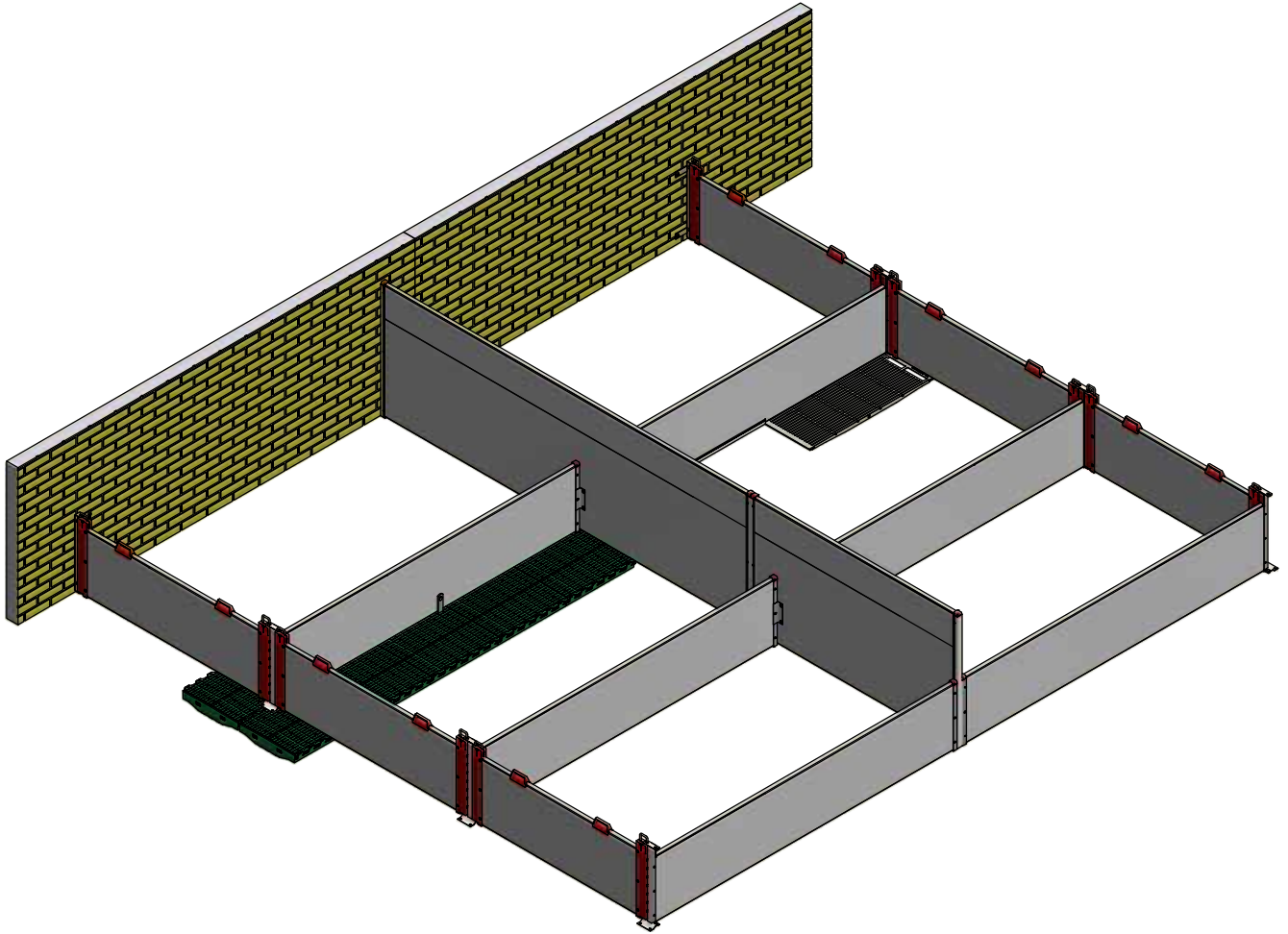


MOUNTING INSTRUCTION



INN-O-CRATE



ACO FUNKI A/S

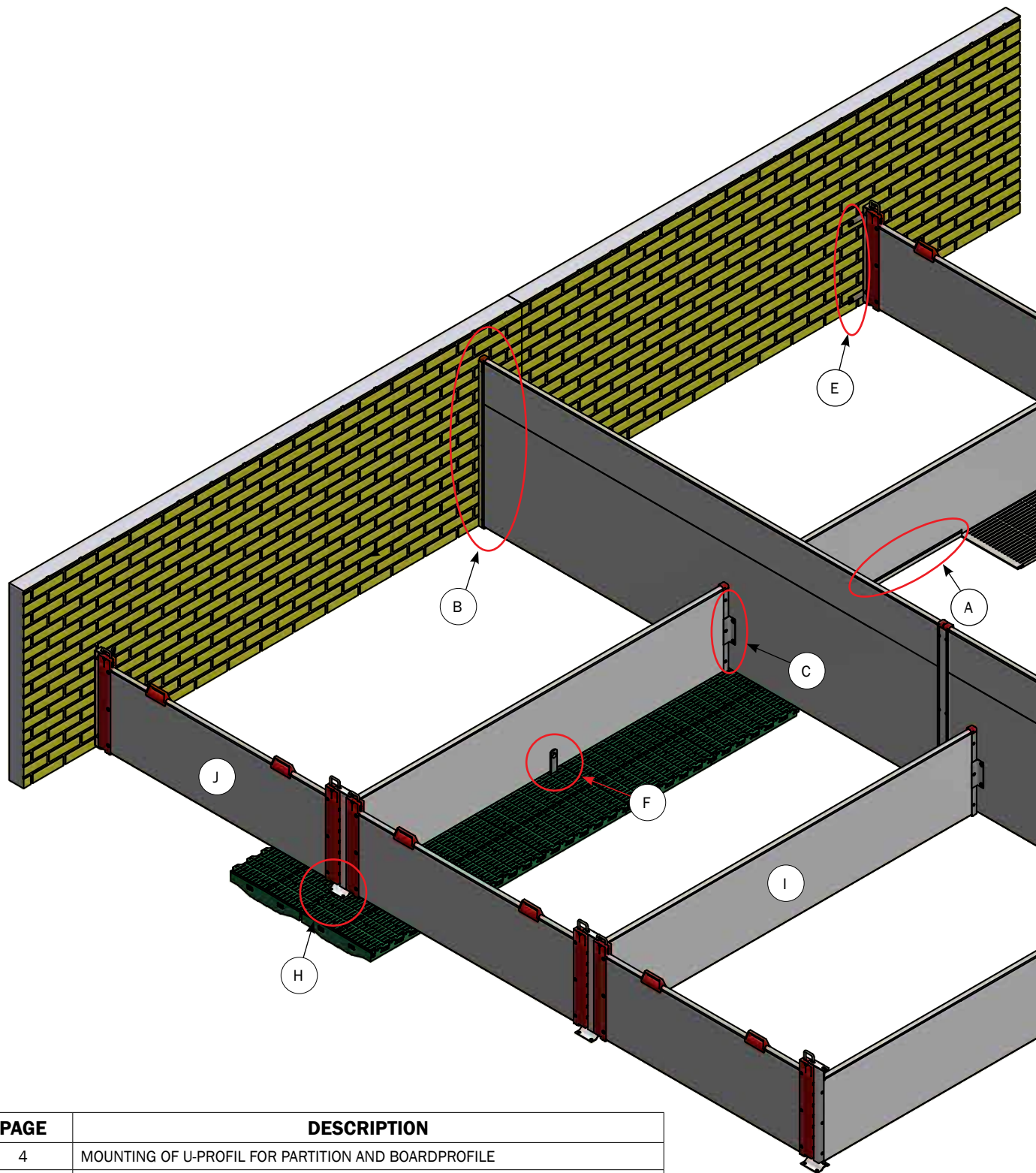
Kirkevænget 5
DK-7400 Herning

Tel. +45 9711 9600

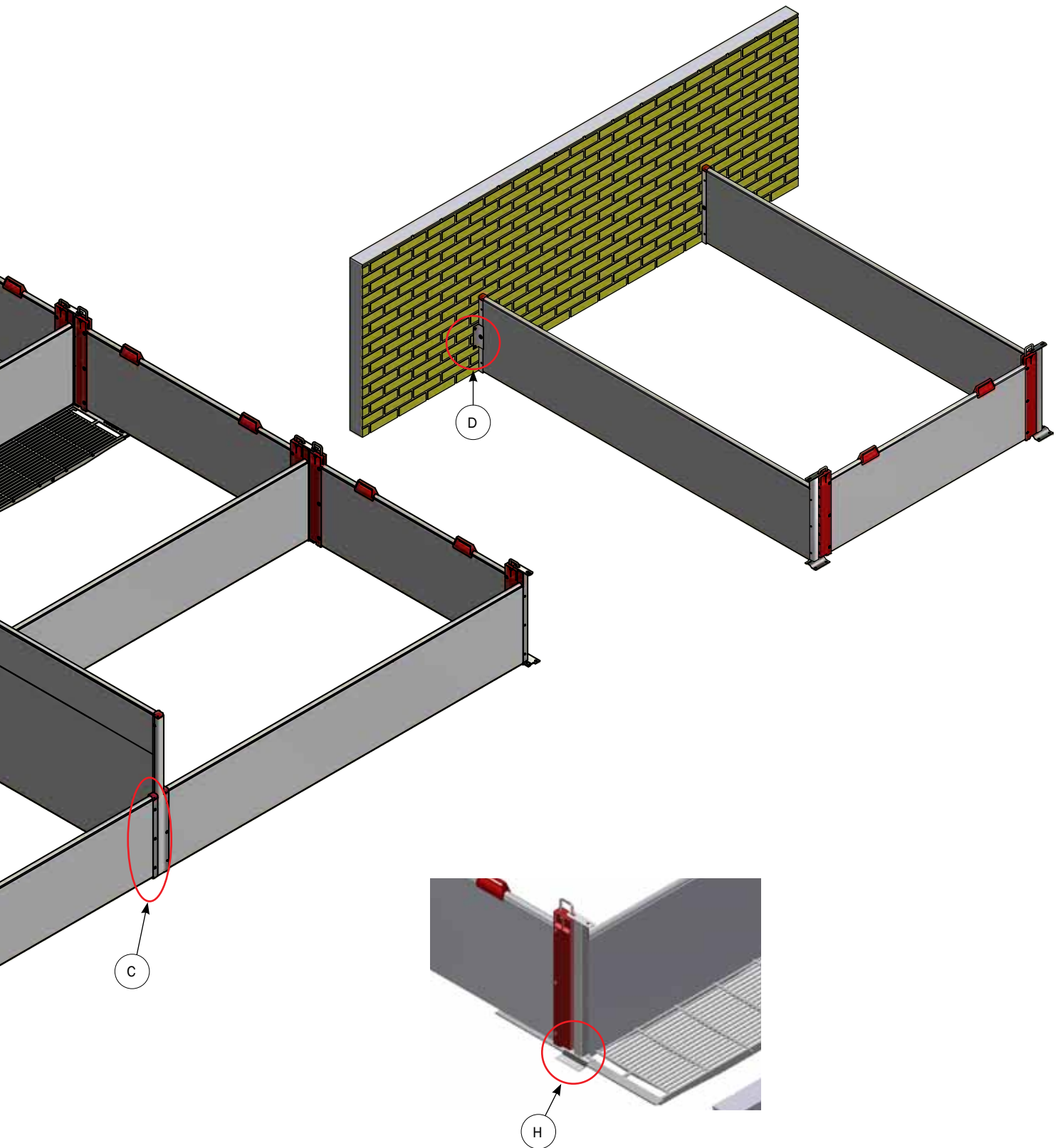
Fax +45 9711 9677

www.acofunki.com

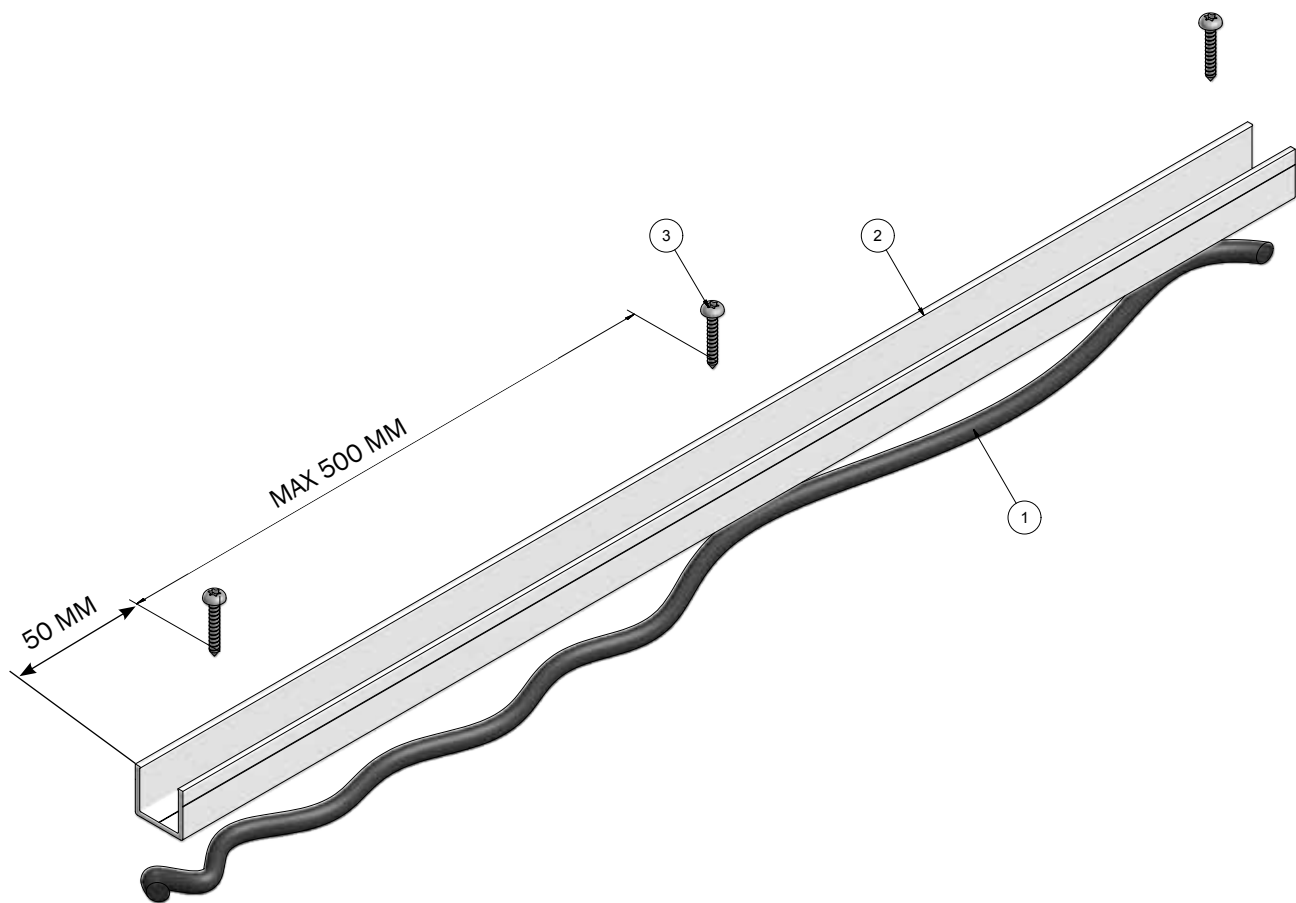
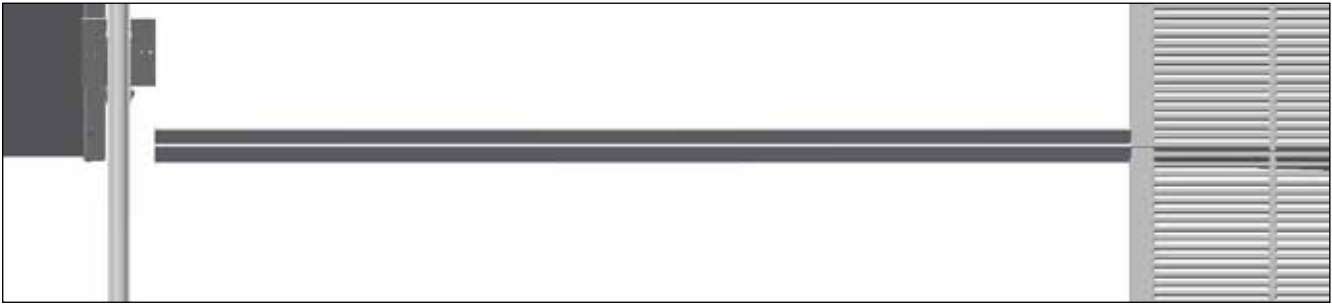
DANISH DESIGN | GERMAN QUALITY | GLOBAL EXPERIENCE



NO.	PAGE	DESCRIPTION
A	4	MOUNTING OF U-PROFIL FOR PARTITION AND BOARDPROFILE
B	5	MOUNTING OF PANNEL AGAINST WALL
C	6	MOUNTING OF PARTITION AGAINST BOARDPROFILE
D	7	MOUNTING OF PARTITION AGAINST WALL
E	8	MOUNTING OF HINGED REAR PART AGAINST WALL
F	9	STABILIZATION OF PARTITION IN PLASTIC SLAT
G	10	MOUNTING OF PARTITION IN FLOOR CONCRETE/PLASTIC
H	11-12	MOUNTING ITEMS FOR FLOOR
I	13	PARTITION
J	14-16	HINGED REAR END



MOUNTING OF U-PROFILE FOR PARTITION AND BOARDPROFILE

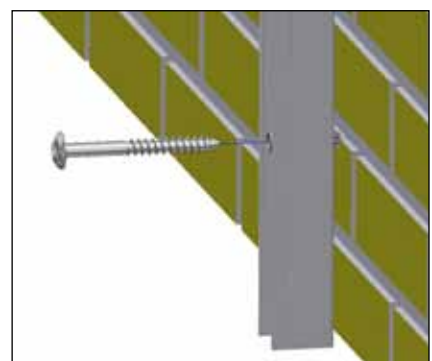
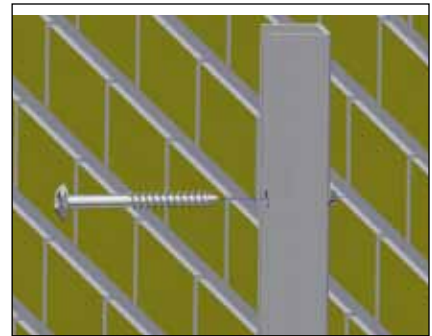
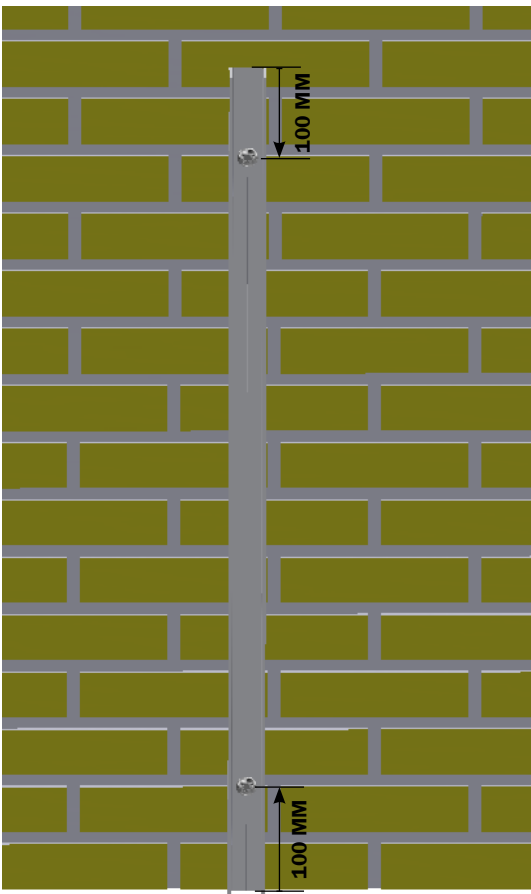
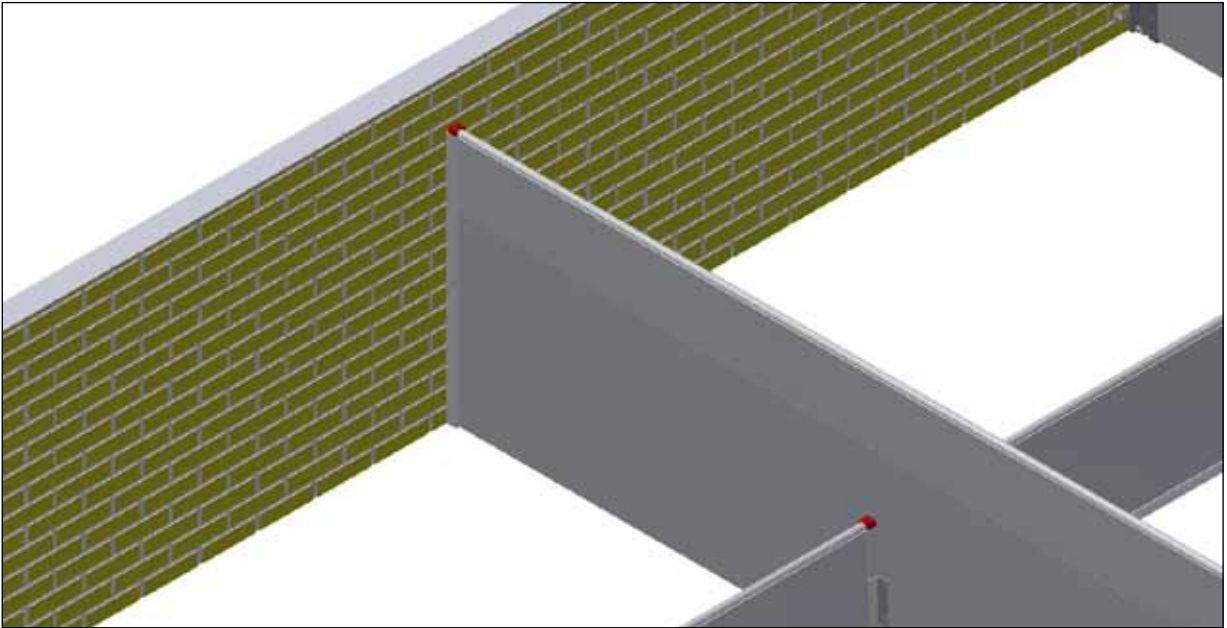


PARTS LIST

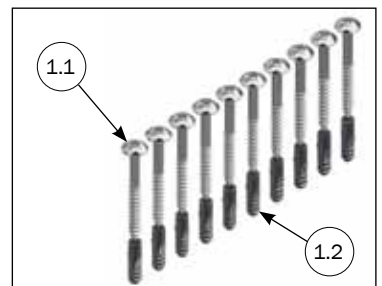
NO.	PCS.	ITEM NO.	DESCRIPTION
*1.1	1	23900078	SIKAFLEX SEALING COMPOUND 600ML FOR 30 METER
*1.2	1	2900358	U-PROFILE PVC 6,5 METER
*1.3	1	39406050	CONCRETE SCREW 6,5 X 50 STAINLESS STEEL

*Adjusted as required

MOUNTING OF BOARDPROFILE AGAINST WALL

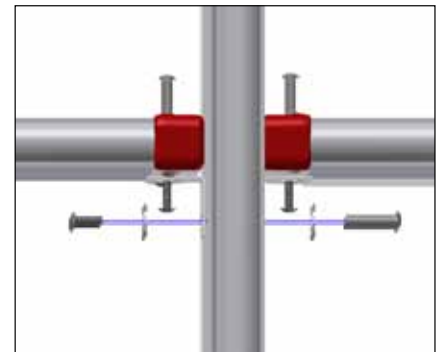


Holes for mounting against wall are drilled on the construction site.



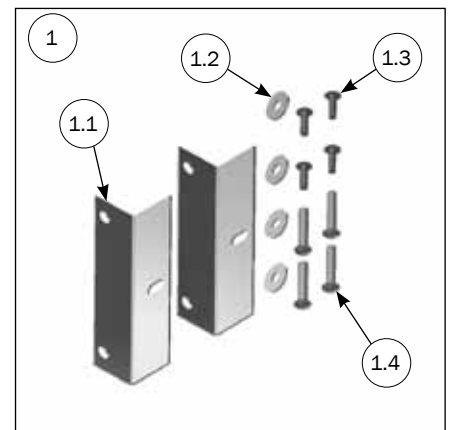
PARTS LIST			
NO.	PCS.	ITEM NO.	DESCRIPTION
1	1	4800010	10 PCS. SS BUTTON HEAD SCREWS M10X70 + WALL PLUG
1.1	10 (2)	67444	10 X 70 BUTTON HEAD TORX 50 STAINLESS STEEL
1.2	10 (2)	39900001	WALL PLUG 12X60 MM

MOUNTING OF PARTITION AGAINST BOARDPROFILE

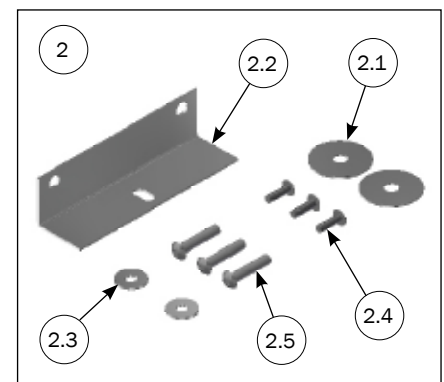


Bracket for partition against boardprofile - double

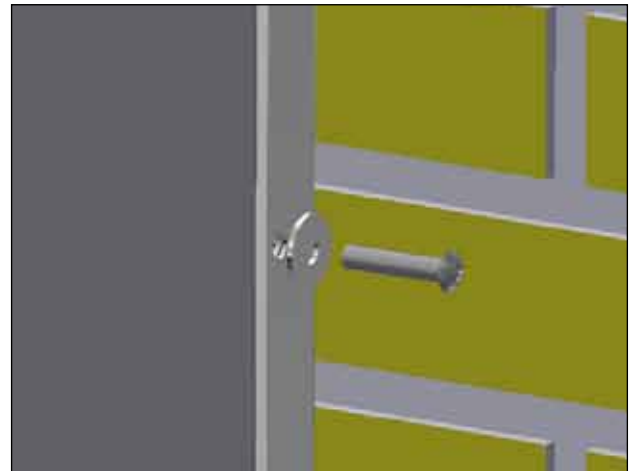
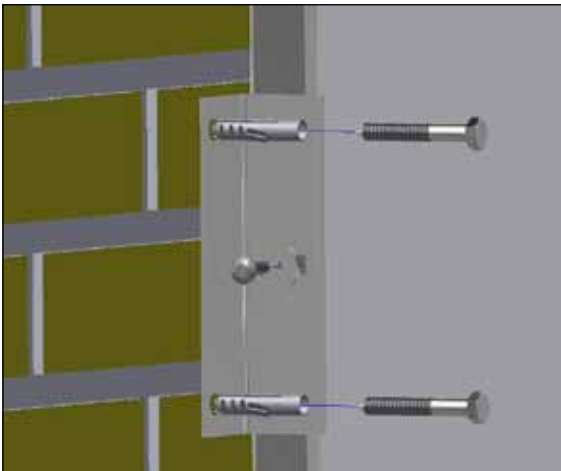
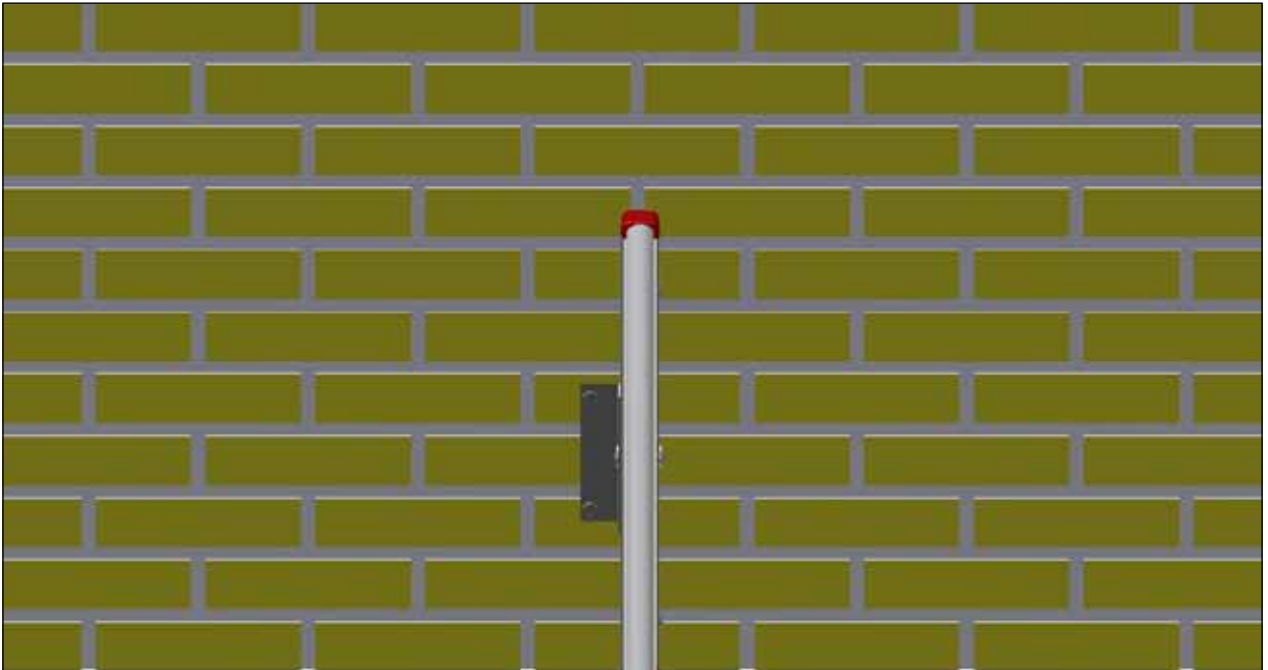
PARTS LIST			
NO.	PCS.	ITEM NO.	DESCRIPTION
1	1	2900593	BRACKET FOR PARTITION AGAINST BOARDPROFILE - DOUBLE
1.1	2	2150260	ANGLE BRACKET FOR FARROWING
1.2	4	35600058	NUT WASHER Ø8X8,4/24/2 A2 DIN 9021
1.3	4	39106020	CONNECTION SCREW M6X20 STAINLESS TORX 30
1.4	4	39206037	SPLICING SLEEVE M6X37 STAINLESS TORX 30



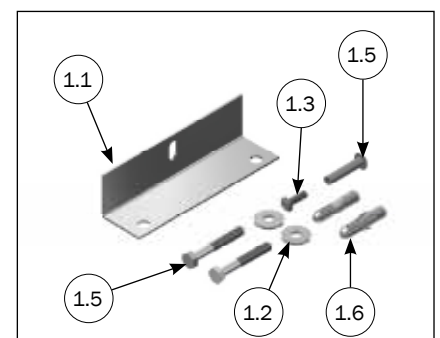
PARTS LIST			
No.	PCS.	ITEM NO.	DESCRIPTION
1	1	2900592	BRACKET FOR PARTITION AGAINST BOARDPROFILE - SINGLE
1.1	2	20037	MASTER CLAMP WASHER Ø10,5/45 1,5 A2
1.2	1	2150260	ANGLE BRACKET FOR FARROWING
1.3	2	35600058	NUT WASHER Ø8X8,4/24/2 A2 DIN9021
1.4	3	39106020	CONNECTION SCREW M6X20 STAINLESS TORX 30
1.5	3	39206037	SPLICING SLEEVE M6X37 STAINLESS TORX 30



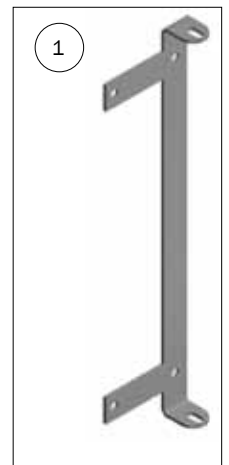
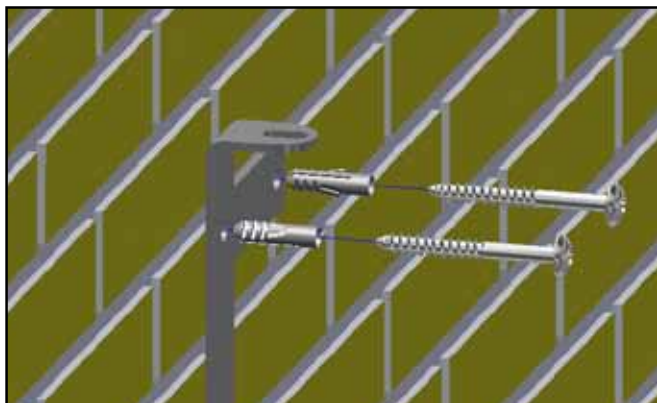
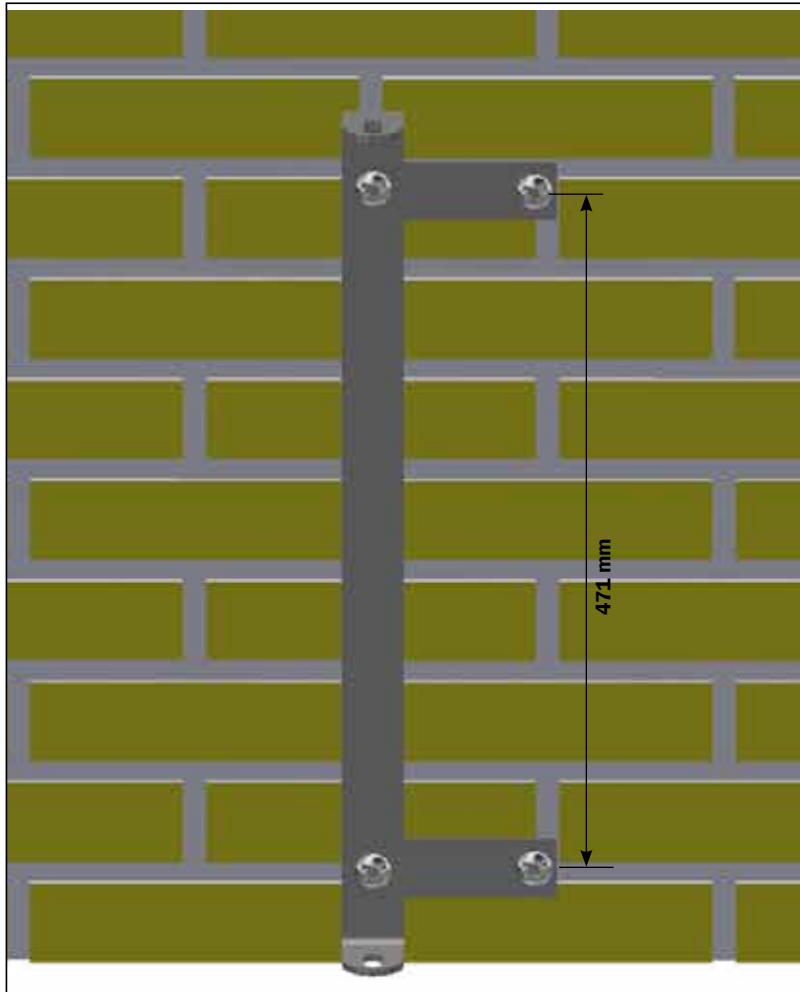
MOUNTING OF PARTITION AGAINST WALL



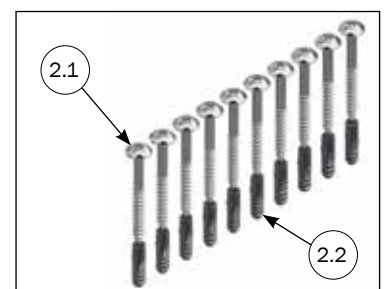
PARTS LIST			
NO.	PCS.	ITEM NO.	DESCRIPTION
1	1	2900591	BRACKET FOR PARTITION AGAINST WALL
1.1	1	2150260	ANGLE BRACKET FOR FARROWING
1.2	2	35600058	NUT WASHER Ø8X8,4/24/2 A2 DIN 9021
1.3	1	39106020	CONNECTION SCREW M6X20 STAINLESS TORX 30
1.4	1	39206037	SPLICING SLEEVE M6X37 STAINLESS TORX 30
1.5	2	34908061	COUCH SCREW M8X60 A2 DIN 571
1.6	2	39900120	WALL PLUG 10X50MM



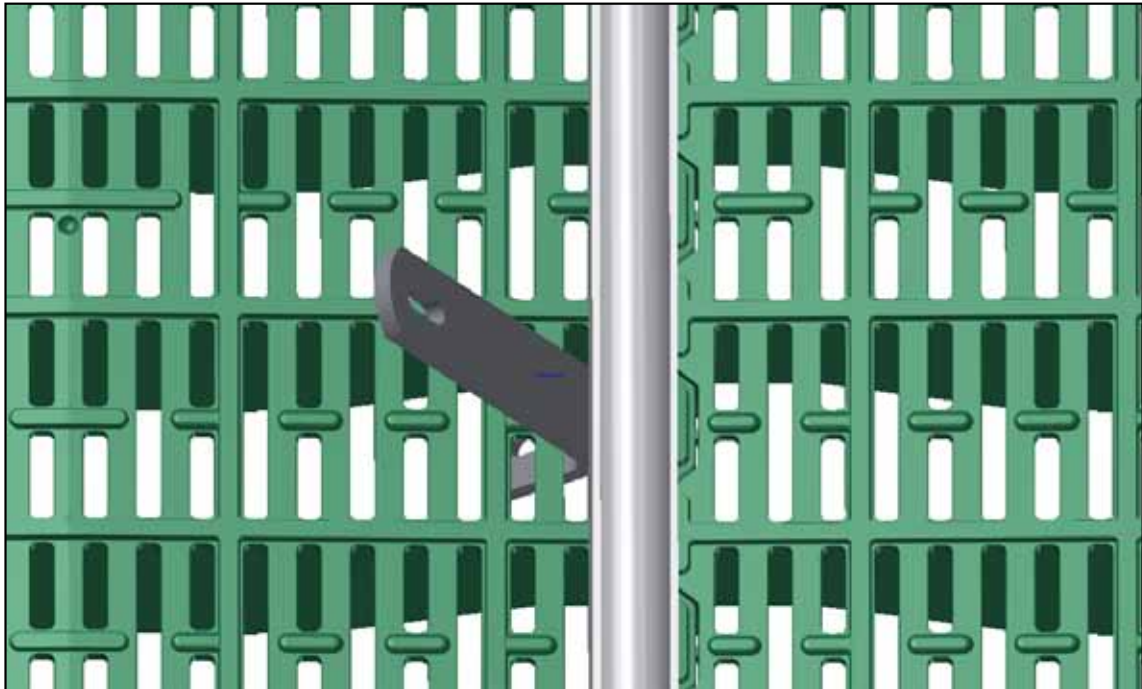
MOUNTING OF HINGED REAR PART AGAINST WALL



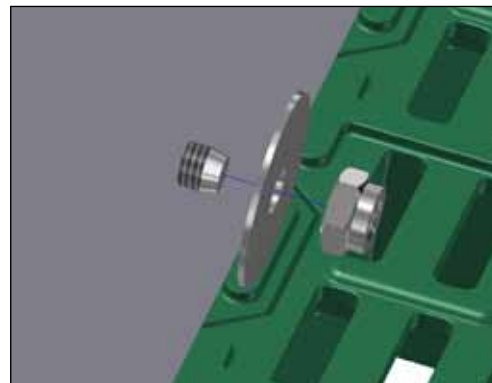
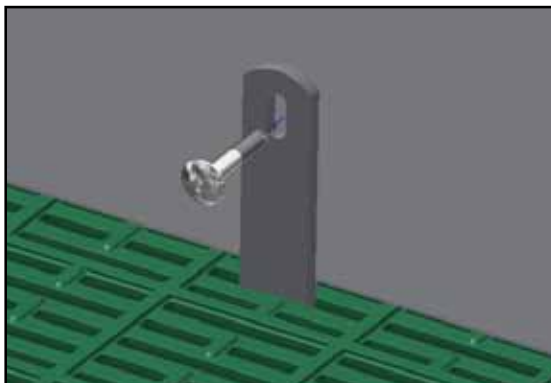
PARTS LIST			
No.	PCS.	ITEM NO.	DESCRIPTION
1	1	42020HG	WALL BRACKET REAR PART H50
2	1	4800010	10 PCS. SS BUTTON HEAD SCREWS 10X70 + WALL PLUG
2.1	4 (10)	67444	10 X 70 BUTTON HEAD TORX 50 STAINLESS STEEL
2.2	4 (10)	39900001	WALL PLUG 12X60 MM



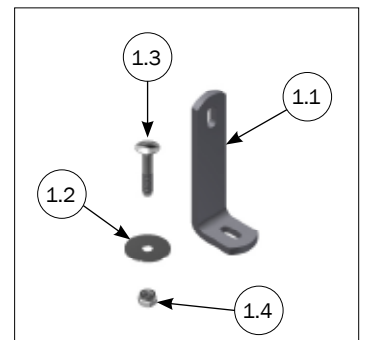
STABILIZATION FOR PARTITION IN PLASTIC SLAT



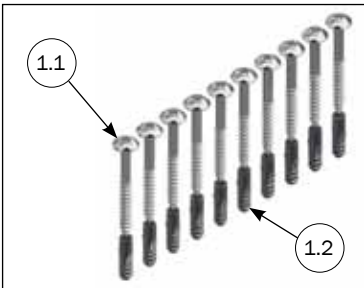
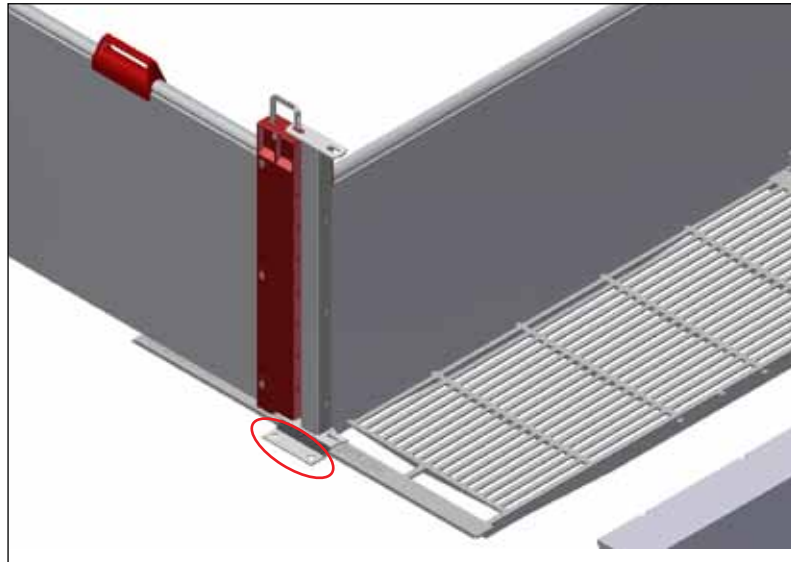
Bracing structure is placed in center of partition boardprofile ± 100 mm



PARTS LIST			
NO.	PCS.	ITEM NO.	DESCRIPTION
1	1	1900299	STABILIZER BRACKET FOR FARROWING PARTITION
1.1	1	4915099	BRACING STRUCTURE FOR BOARDPROFILE
1.2	1	20037	MASTER CLAMP WASHER Ø10,5/45 1,5 A2
1.3	1	36310055	MUSHROOMHEADED BOLT M10X55 A2 DIN 603
1.4	1	33900029	LOCK NUT M10 A2 DIN 985

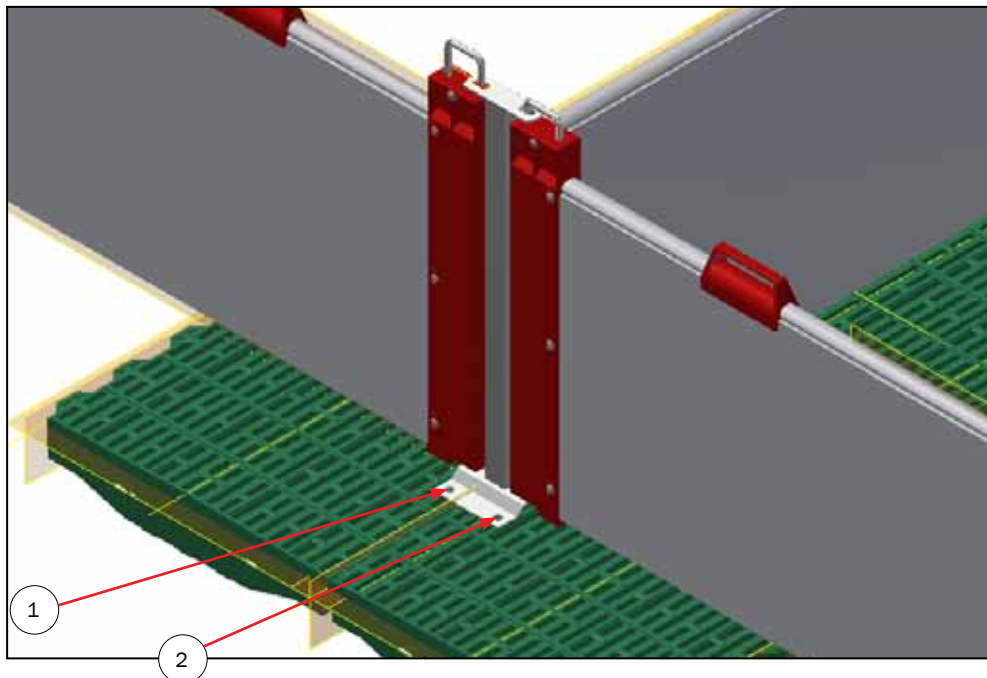


MOUNTING OF PARTITION IN FLOOR CONCRETE



PARTS LIST			
NO.	PCS.	ITEM NO.	DESCRIPTION
1	1	4800010	10 PCS. SS BUTTON HEAD SCREWS M10X70 + WALL PLUG
1.1	2 (10)	67444	10 X 70 BUTTON HEAD TORX 50 STAINLESS STEEL
1.2	2 (10)	39900001	WALL PLUG 12X60 MM

MOUNTING OF PARTITION IN FLOOR PLASTIC



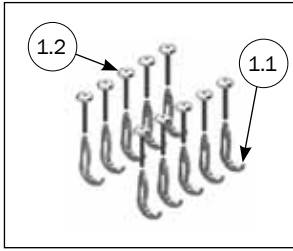
Combinations option for bolt-on fittings. **(Positions no. see page 11-12)**

1	Поз. A, B, C, D, E, F
2	Поз. G, H, J, K, L

Not recommended	
1	Поз. G, H, J, K, L
2	Поз. G, H, J, K, L

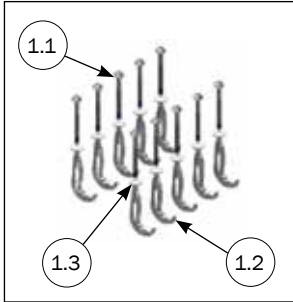
MOUNTING TO FLOOR

Pos. no



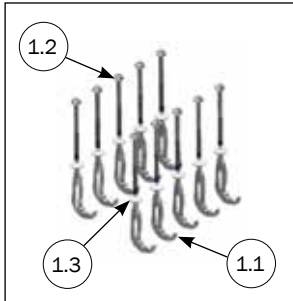
PARTS LIST			
NO.	PCS.	ITEM NO.	DESCRIPTION
	1	4800025	10 PIECE ANCHOR SET M8 80-125MM
1.1	10	30847	ANCHOR PLASTIC SLATS M8
1.2	10	30308071	BUTTONHEAD SCREW STAINLESS M8X70 WITHOUT WASHER, TX 50

A



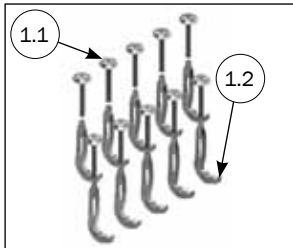
PARTS LIST			
NO.	PCS.	ITEM NO.	DESCRIPTION
	1	4800030	10 PIECE ANCHOR SET M8 100-145 MM
1.1	10	30888	INN-O-PLUG M8 X 90 BH TX50 A2 FT
1.2	10	30847	ANCHOR PLASTIC SLATS M8
1.3	10	35600058	NUT WASHER Ø8X8,4/24/2 A2 DIN 9021

B



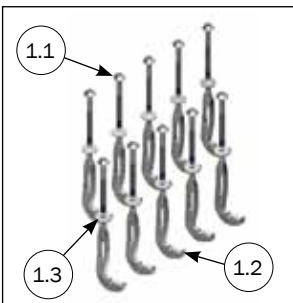
PARTS LIST			
NO.	PCS.	ITEM NO.	DESCRIPTION
	1	4800035	10 PIECE ANCHOR SET M8 130-190 MM
1.1	10	30847	ANCHOR PLASTIC SLATS M8
1.2	10	30887	INN-O-PLUG M8 x 120 BH TX50 A2
1.3	10	35600058	NUT WASHER Ø8X8,4/24/2 A2 DIN 9021

C



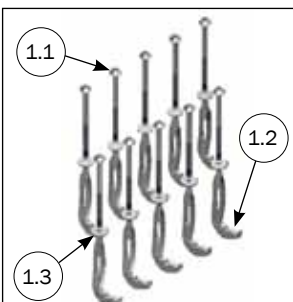
PARTS LIST			
NO.	PCS.	ITEM NO.	DESCRIPTION
	1	4800040	10 PIECE ANCHOR SET M8 100-145 MM
1.1	10	30308071	BUTTONHEAD SCREW STAINLESS M8X70 WITHOUT WASHER, TX 50
1.2	10	90130847	ANCHOR M8 FOR PLASTIC SLATS, BIG

D



PARTS LIST			
NO.	PCS.	ITEM NO.	DESCRIPTION
	1	4800045	10 PIECE ANCHOR SET M8 120-165 MM
1.1	10	30888	INN-O-PLUG M8 X 90 BH TX50 A2 FT
1.2	10	90130847	ANCHOR M8 FOR PLASTIC SLATS, BIG
1.3	10	35600058	NUT WASHER Ø8X8,4/24/2 A2 DIN 9021

E

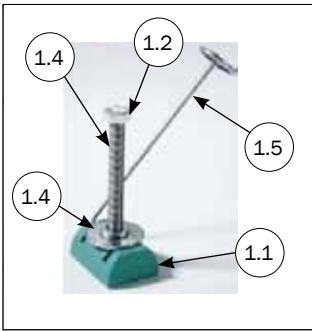


PARTS LIST			
NO.	PCS.	ITEM NO.	DESCRIPTION
	1	4800050	10 PIECE ANCHOR SET M8 150-195 MM
1.1	10	30887	INN-O-PLUG M8 x 120 BH TX50 A2
1.2	10	90130847	ANCHOR M8 FOR PLASTIC SLATS, BIG
1.3	10	35600058	NUT WASHER Ø8X8,4/24/2 A2 DIN 9021

F

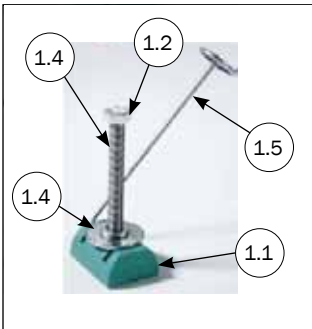
MOUNTING TO FLOOR

Pos. no



PARTS LIST			
NO.	PCS.	ITEM NO.	DESCRIPTION
	1	17129	SLAT ANCHOR 10 MM GREEN 10 PCS./PACK
1.1	10	17731	SLAT ANCHORS M10 GREEN
1.2	10	33510018	NUT M10 A2, DIN 439B LOW
1.3	10	35900085	NUT WASHER Ø10X10,5/30/2,5 A2 DIN 9021
1.4	10	30410070	SET SCREW M10X70 A2 WITH GLUE
1.5	1	17105	TOOL FOR BOLT-ON
	1	OV942	MOUNTINGINSTRUCTION FOR SLAT ANCHOR , FR, DE, ES, UK, DK

G



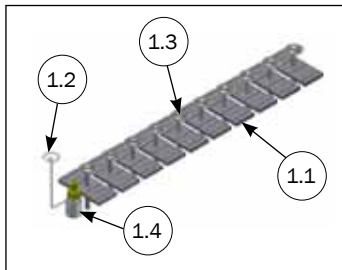
PARTS LIST			
NO.	PCS.	ITEM NO.	DESCRIPTION
	1	17095	SLAT ANCHOR 8MM GREEN, 10 PIECES
1.1	10	17128	SLAT ANCHORS M8 GREEN
1.2	10	33508013	NUT M8 A2 DIN 934
1.3	10	35600058	NUT WASHER Ø8X8,4/24/2 A2 DIN 9021
1.4	10	30408070	SET SCREW M8X70 A2 WITH GLUE
1.5	1	17105	TOOL FOR BOLT-ON
	1	OV942	MOUNTINGINSTRUCTION FOR SLAT ANCHOR , FR, DE, ES, UK, DK

H



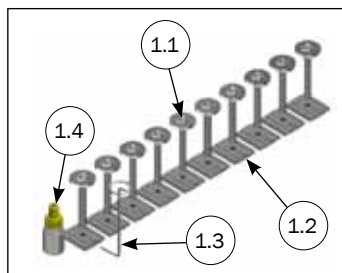
PARTS LIST			
NO.	PCS.	ITEM NO.	DESCRIPTION
	1	29100067	THREAD GLUE STRONG, ACO FUNKI 16,5 ML

I



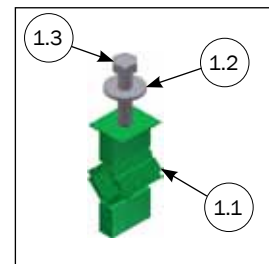
PARTS LIST			
NO.	PCS.	ITEM NO.	DESCRIPTION
	1	1900241	10 PCS BOLT-ON FITTINGS LARGE FOR CAST IRON SLATS
1.1	10	1920241	BOLT-ON FITTING FOR CAST IRONSLATS LARGE
1.2	1	17105	TOOL FOR BOLT-ON
1.3	10	30308071	BUTTONHEAD RF M8X70 U/SKIVE TORX 50
1.4	1	29100067	GEVINDSIKRING STÆRK, ACO FUNKI

J



PARTS LIST			
NO.	PCS.	ITEM NO.	DESCRIPTION
	1	96967	10 PCS BOLT-ON FITTINGS SMALL FOR CAST IRON SLATS
1.1	10	30308071	BUTTONHEAD SCREW STAINLESS M8X70 WITHOUT WASHER, TX 50
1.2	10	96965	BOLT-ON FITTINGS SMALL FOR CAST IRON SLATS
1.3	1	17105	TOOL FOR BOLT-ON
1.4	1	29100067	THREAD GLUE STRONG, ACO FUNKI 16,5 ML

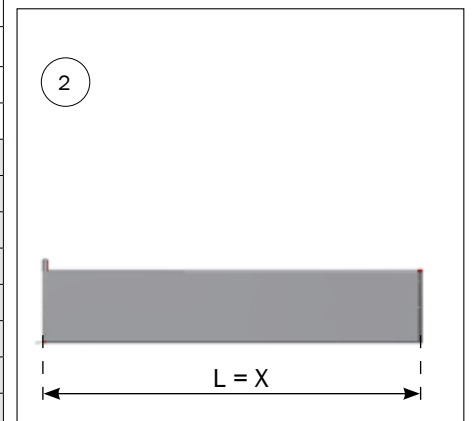
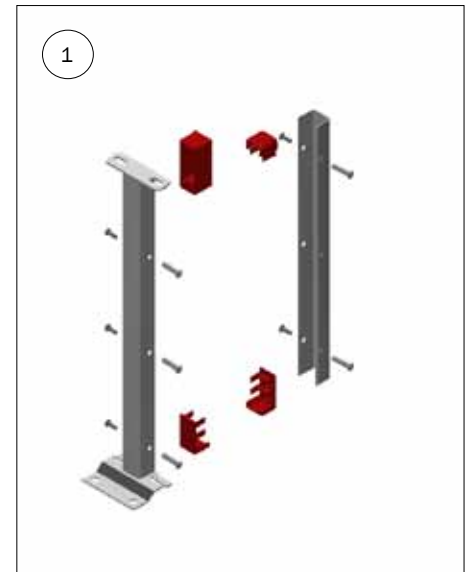
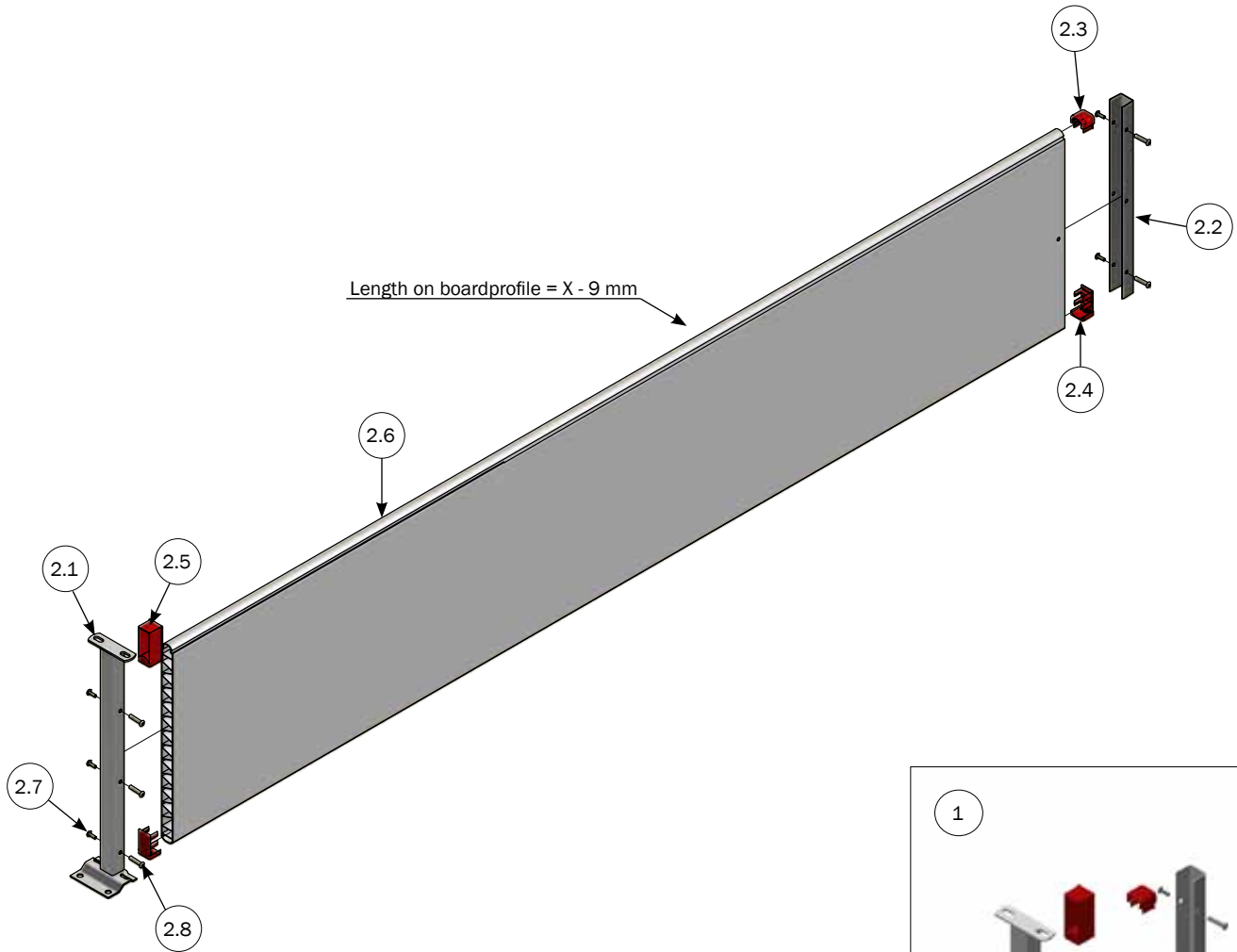
K



PARTS LIST			
NO.	PCS.	ITEM NO.	DESCRIPTION
	1	18958	RHOMB SCREW-ANCHOR PIGLETSLATS(BAG WITH 10 PCS.)
1.1	10	18935	RHOMB ANCHOR FOR PLASTIC GRATING
1.2	10	35600051	WASHER 13X24X2,5 A2 DIN125
1.3	10	34908080	CHIPBOARD SCREW 8X80 A2 PH X-SLOT
	1	M-8521	MOUNTING INSTRUCTION FOR ROMBE ANCHOR 18935, DK, GB, DE

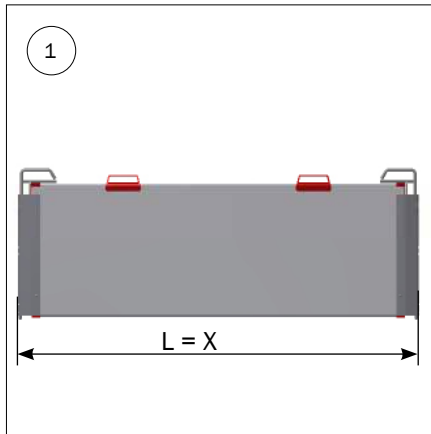
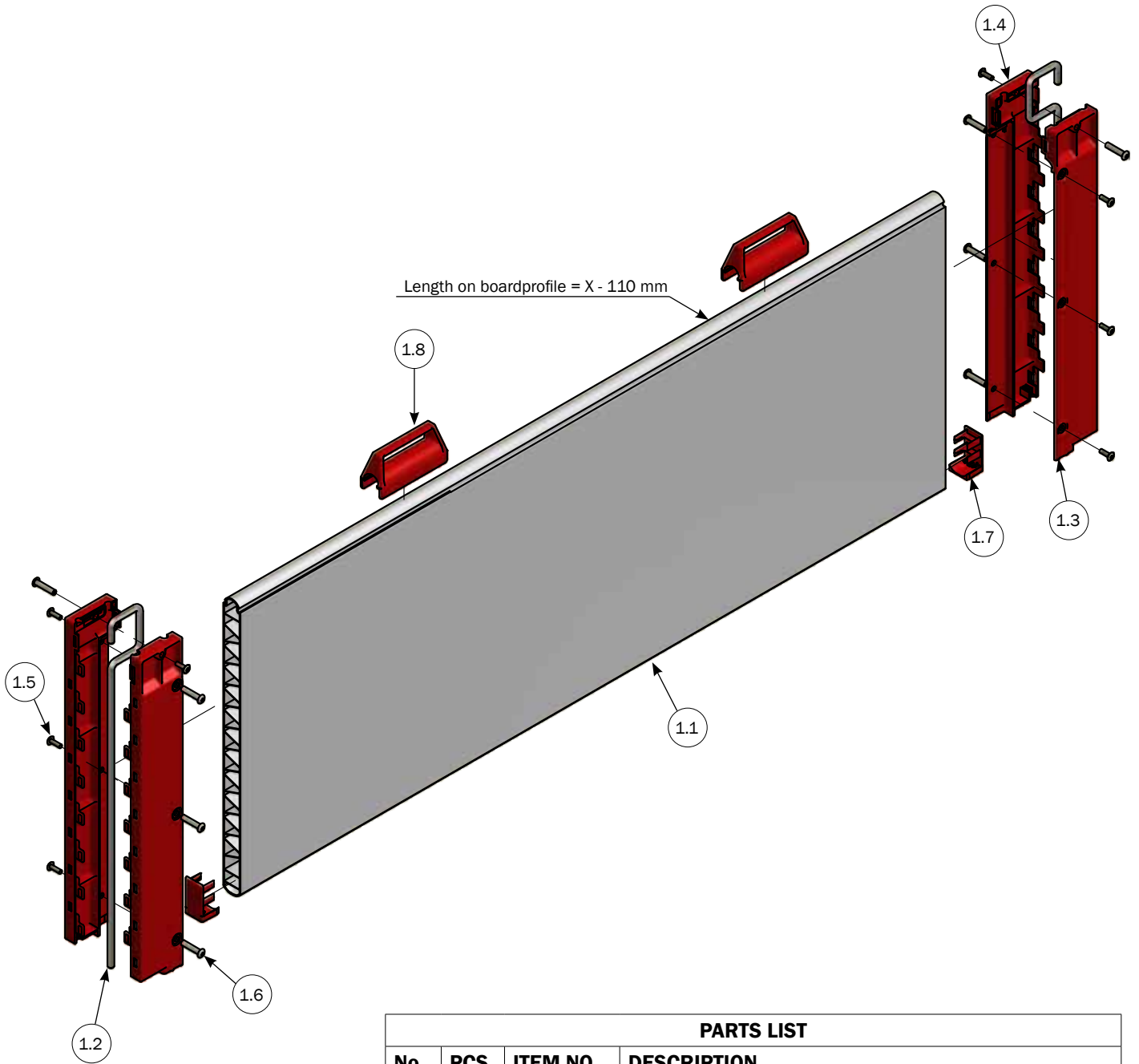
L

PARTITION FOR INN-O-CRATE H500 MM 2500-3000 MM



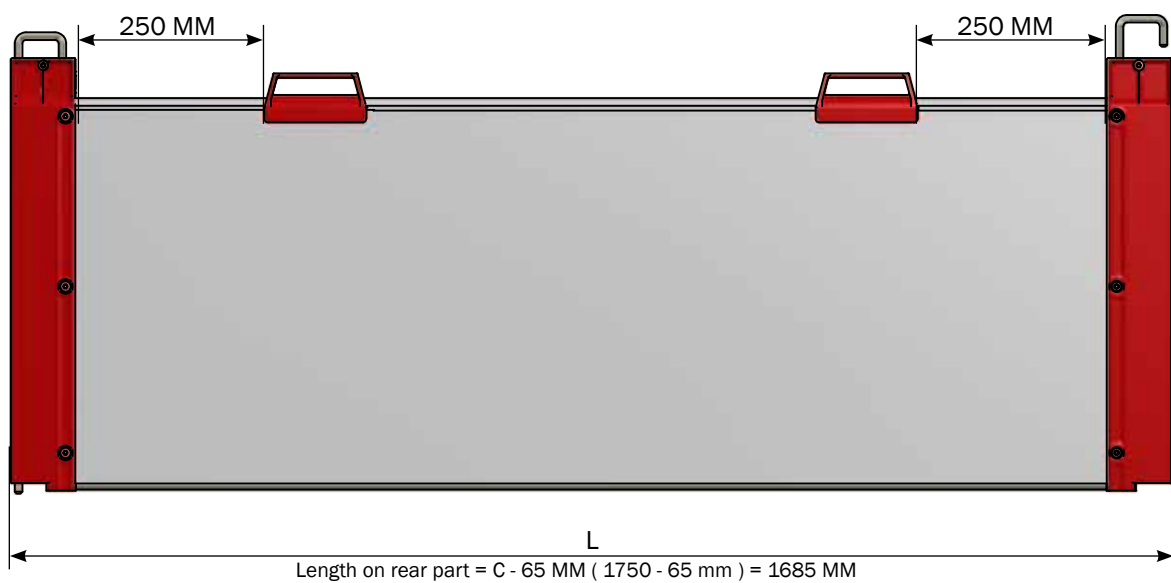
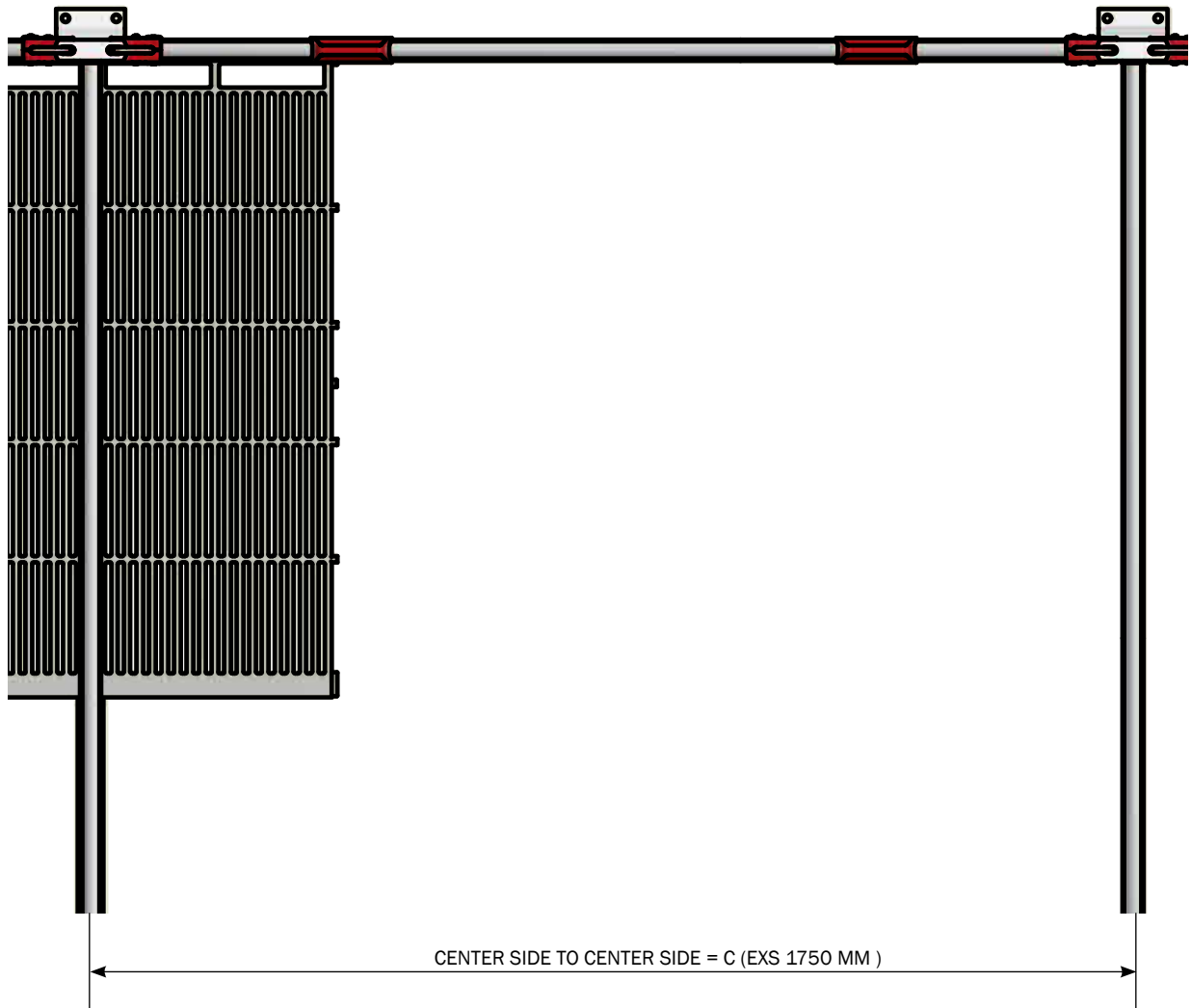
PARTS LIST			
NO.	PCS.	ITEM NO.	DESCRIPTION
1		41933U	KIT FOR SIDE H500 BOARDPROFILE
2	1	41933	SIDE H500 BOARDPROFILE 2500 - 3000 MM
2.1	1	41785	U-PROFILE WITH FOOT BRACKET SS
2.2	1	41822	U-PROFILE CLEAN-O-FLEX® H500
2.3	1	30001	PLUG PANEL TOP
2.4	2	30013	PLUG PANEL BOTTOM 500MM/750 MM BOARDPROFILE
2.5	1	30041	PLUG PANEL 89 MM TOP/TOPTAB
2.6	LBM	30102	BOARDPROFILE 35X500 MM SPEC. LENGTH PRICE PER METER
2.7	5	39106020	CONNECTION SCREW M6X20 STAINLESS TORX 30
2.8	5	39206037	SPLICING SLEEVE M6X37 STAINLESS TORX 30

HINGED REAR END FOR INN-O-CRATE H500 MM



PARTS LIST			
No.	PCS.	ITEM NO.	DESCRIPTION
		41963	HINGED REAR PART H500 1600 MM
		2710165	HINGED REAR PART H500 1650 MM
		41964	HINGED REAR PART H500 1700 MM
		2710175	HINGED REAR PART H500 1750 MM
		41965	HINGED REAR PART H500 1800 MM
1	1	41960	HINGED REAR PART H500, VARIABLE PEN WIDTH 300-2000 MM
1.1	LBM	30102	BOARDPROFILE 35X500 MM SPEC. LENGTH PRICE PER METER
1.2	2	17230	PEG 61,5 CM
1.3	2	30035	PROFILE HINGED REAR PART 50 CM MALE RED
1.4	2	30037	PROFILE HINGED REAR PART 50 CM FEMALE RED
1.5	8	39106020	CONNECTION SCREW M6X20 STAINLESS TORX 30
1.6	8	39206037	SPLICING SLEEVE M6X37 STAINLESS TORX 30
1.7	2	30013	PLUG PANEL BOTTOM 50 CM/75 CM BOARDPROFILE
1.8	2	2960493	HAND GRIB FOR GATE

MEASUREMENT OF HINGED REAR PART FROM PARTITION TO PARTITION



MEASUREMENT OF HINGED REAR PART FROM WALL TO PARTITION

