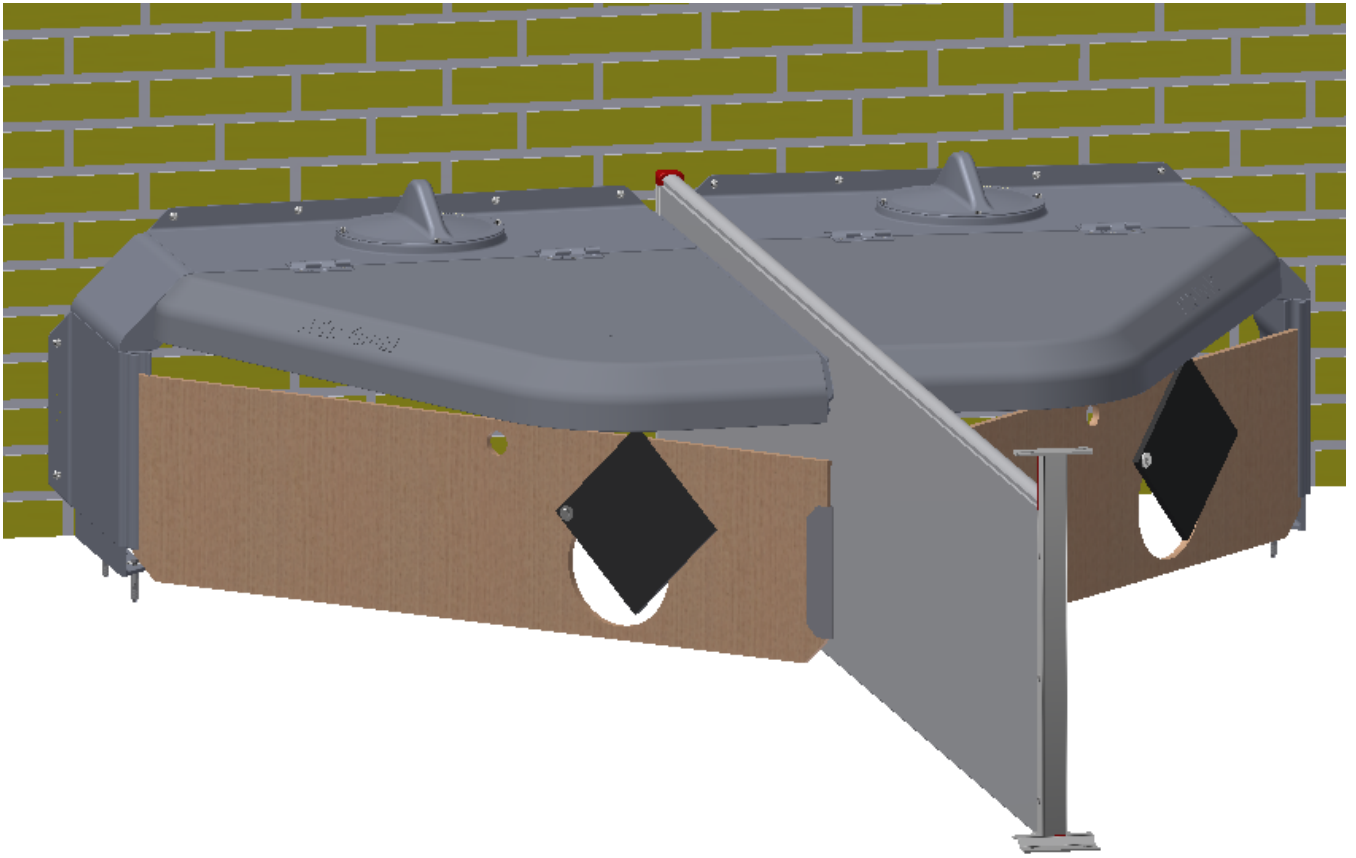


MOUNTING INSTRUCTION



COMFORT CORNER II PIGLET NEST



ACO FUNKI A/S

Kirkevænget 5
DK-7400 Herning

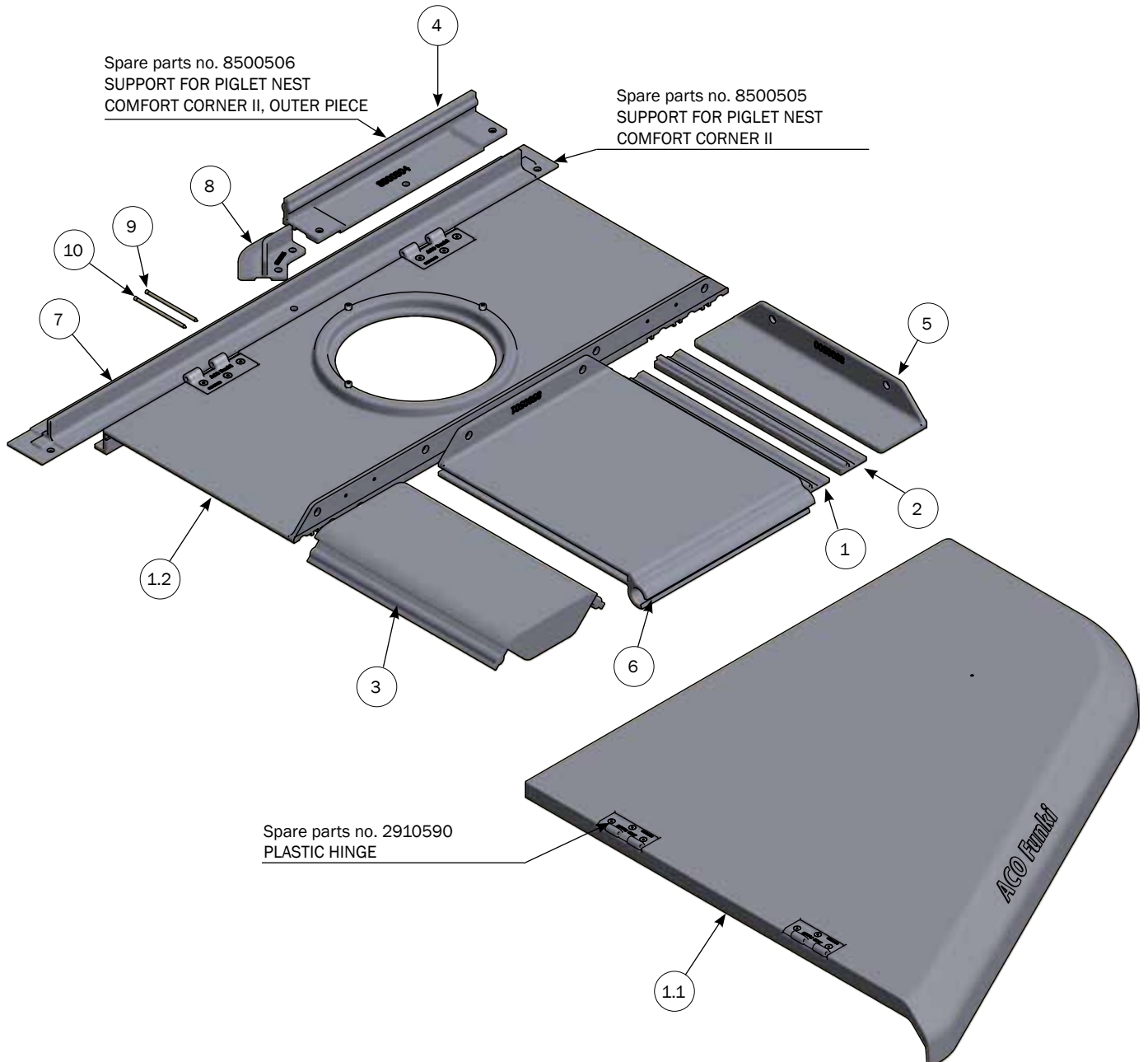
Tel. +45 9711 9600

Fax +45 9711 9677

www.acofunki.com

DANISH DESIGN | GERMAN QUALITY | GLOBAL EXPERIENCE

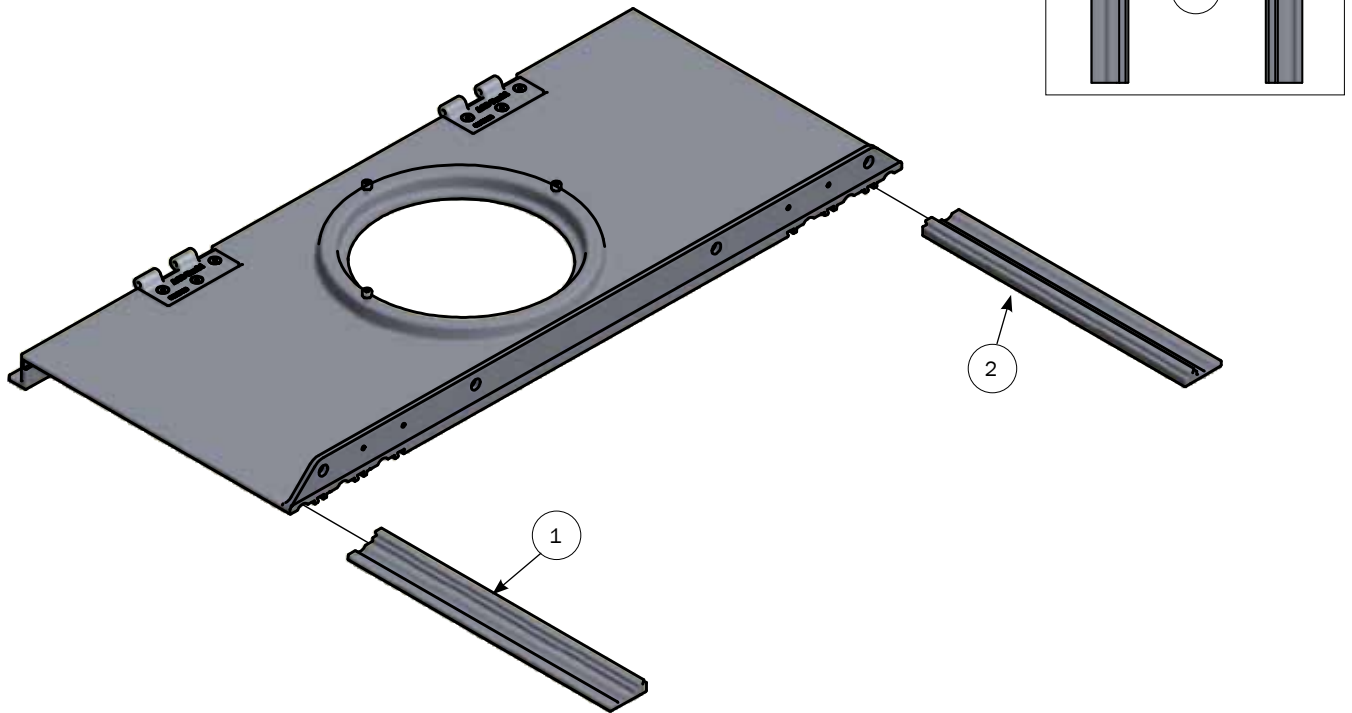
UNASSEMBLED COMFORT CORNER II



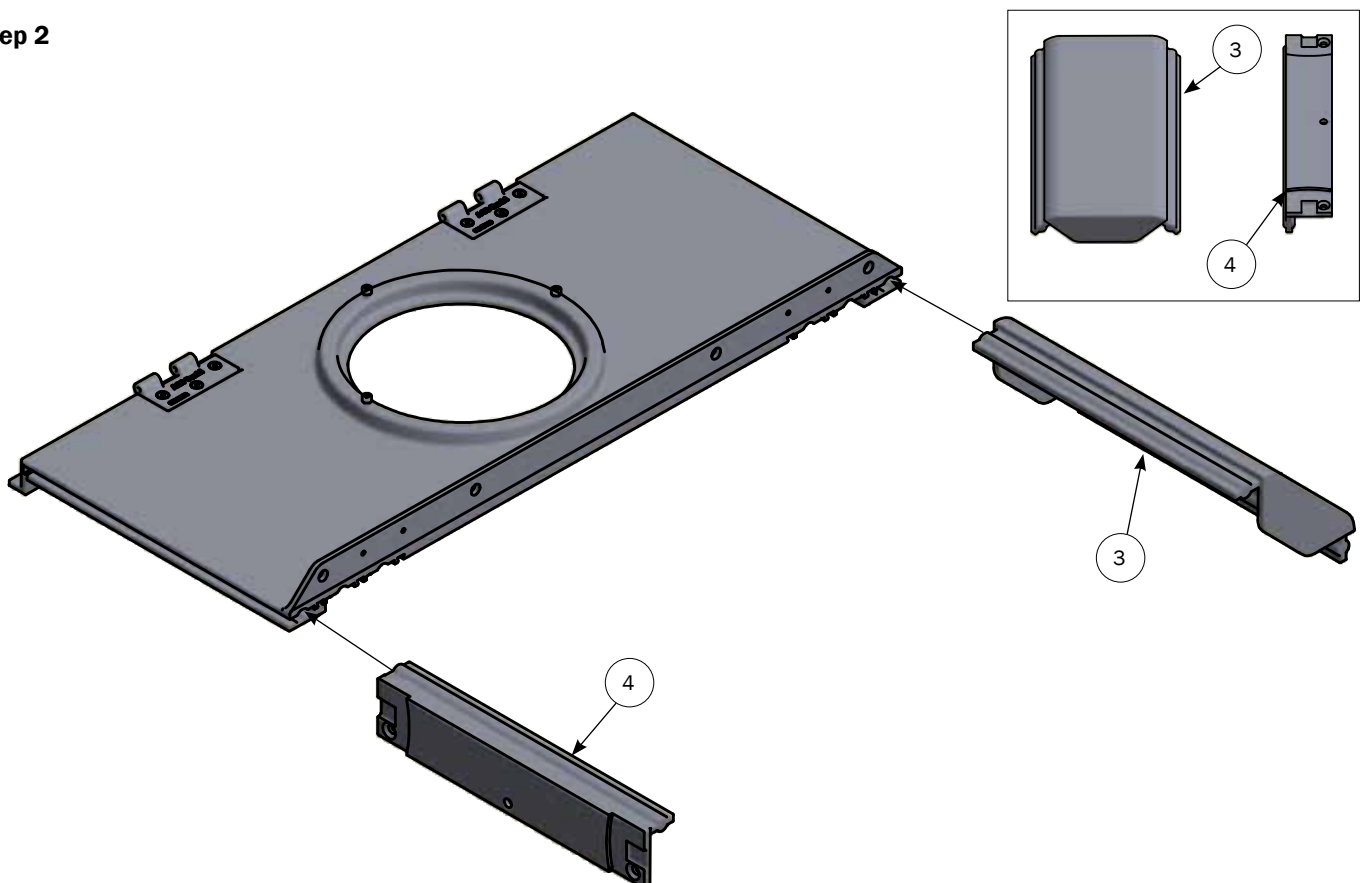
PARTS LIST			
NO.	PCS.	ITEM NO.	DESCRIPTION
		2900556	COMFORT CORNER II 80 CM RIGHT
		2900557	COMFORT CORNER II 80 CM LEFT
		2900558	COMFORT CORNER II 85 CM RIGHT
		2900559	COMFORT CORNER II 85 CM LEFT
		2900561	COMFORT CORNER II PIGLET NESTCOVER 90 CM LEFT
	1	2900562	COMFORT CORNER II PIGLET NESTCOVER 90 CM RIGHT
1.1	1	2910562	MOUNTED LID FOR COMFORT CORNER 2 RIGHT 90 CM
1.2	1	2905560	COMFORT CORNER 2 KIT RIGHT AND LEFT 90 CM

ASSEMBLY INSTRUCTIONS OF COMFORT CORNER II

Step 1

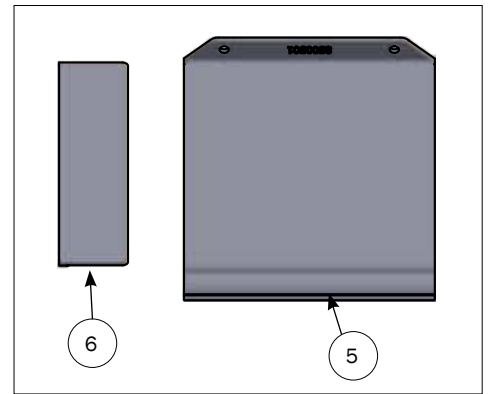
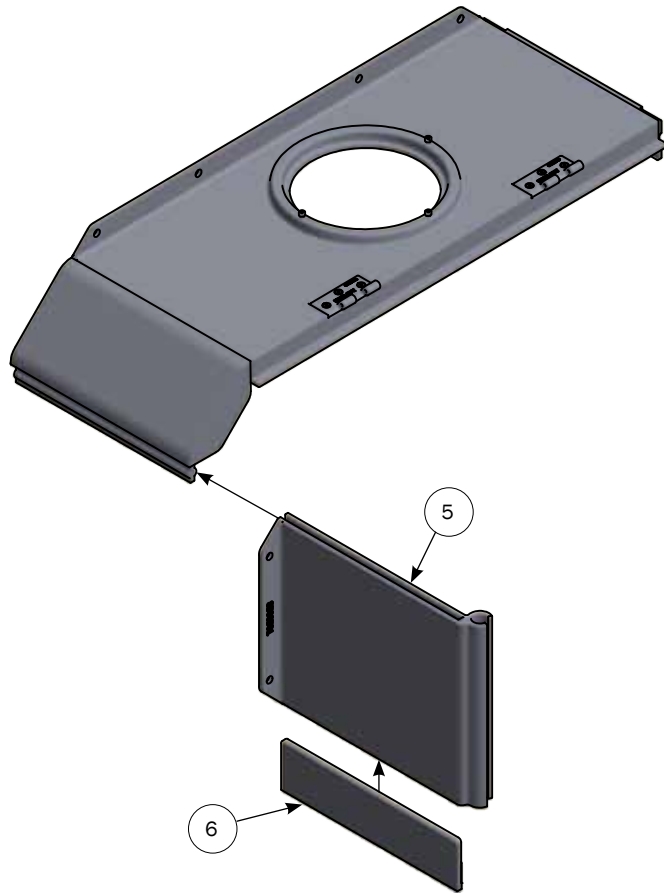


Step 2



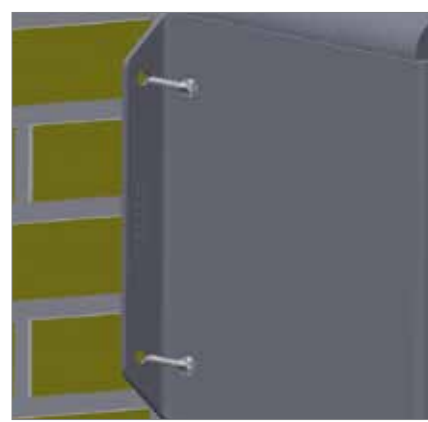
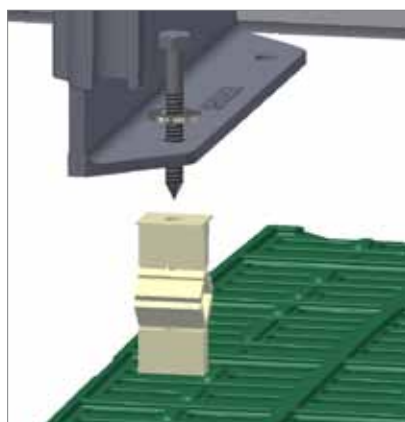
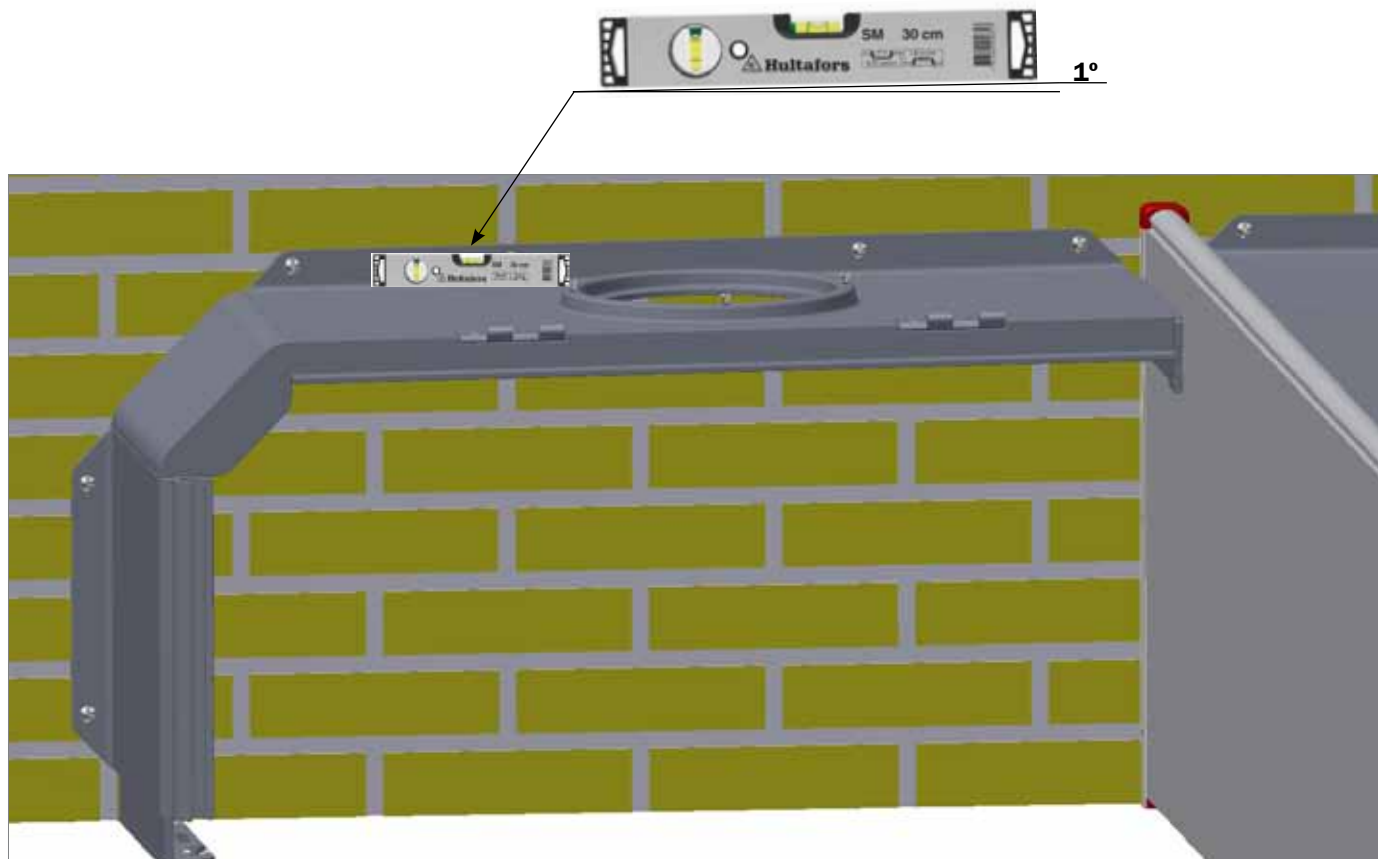
ASSEMBLY INSTRUCTIONS OF COMFORT CORNER II

Step 3

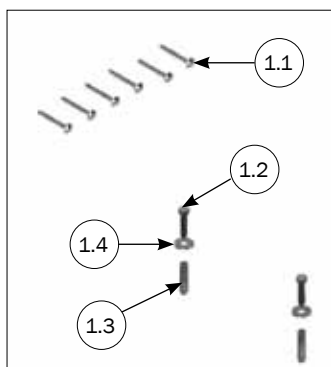


MOUNTING OF COMFORT CORNER II AGAINST WALL

Step 4

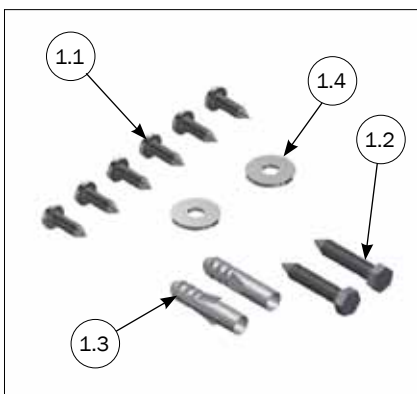
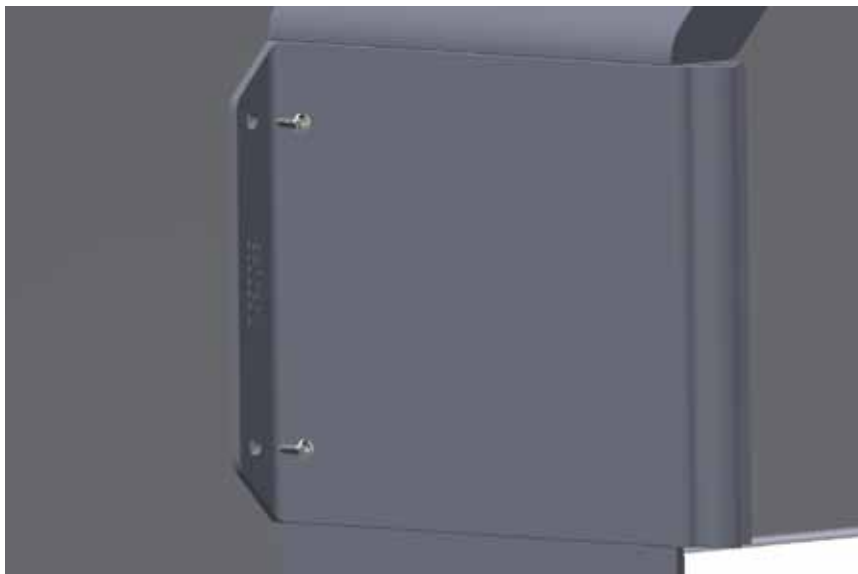
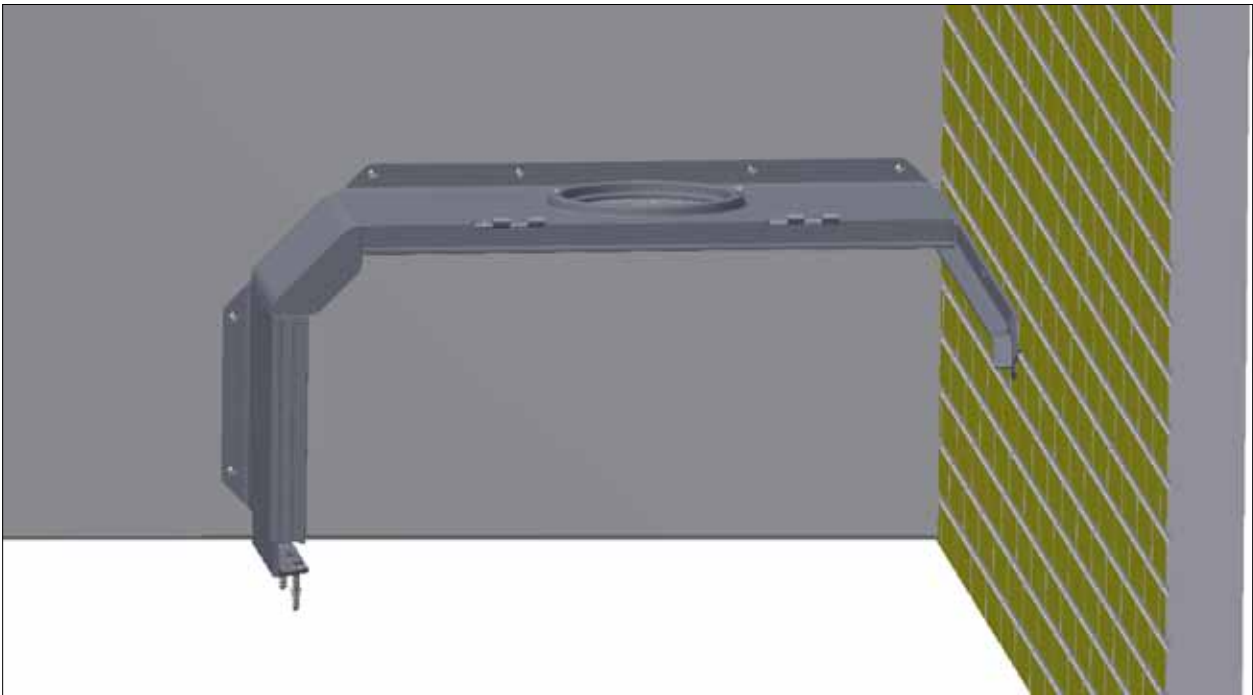


For mounting in combi floor use:
18958 RHOMB SCREW-ANCHOR
 PIGLETSLATS(BAG WITH 10 PCS.)



PARTS LIST			
NO.	PCS.	ITEM NO.	DESCRIPTION
	1	41146	MOUNT KIT INN-O-CORNER AGAINST WALL
1.1	6	39406050	CONCRETE SCREW 6,5 X 50 STAINLESS STEEL
1.2	2	34908041	COUCH SCREW M8X40 A2 DIN 571
1.3	2	39900120	WALL PLUG 10X50 MM
1.4	2	35600058	NUT WASHER Ø8X8,4/24/2 A2 DIN 9021

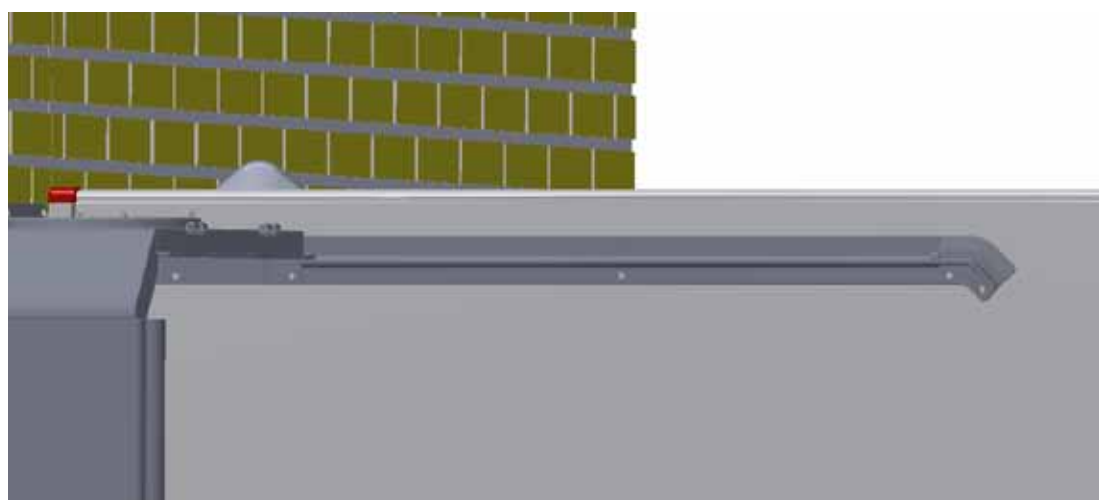
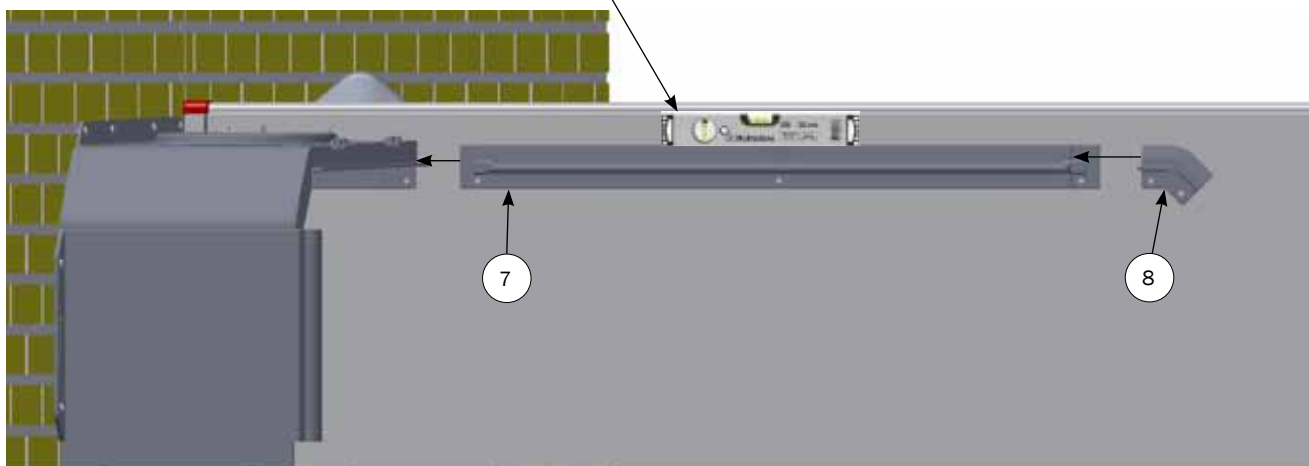
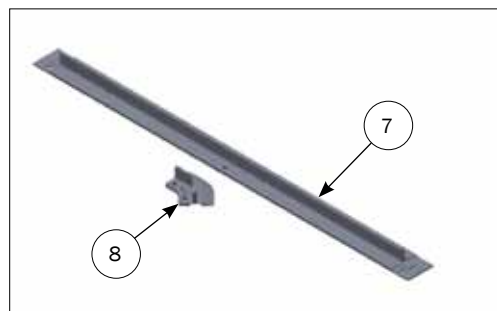
MOUNTING OF COMFORT CORNER II AGAINST PANEL



PARTS LIST			
NO.	PCS.	ITEM NO.	DESCRIPTION
	1	41145	MOUNT KIT PIGLET NEST AGAINST PANEL
1.1	6	67088	6,3 X 22 PLATE SCREW PH POZUSP
1.2	2	34908041	COUCH SCREW M8X40 A2 DIN 571
1.3	2	39900120	WALL PLUG 10X50 MM
1.4	2	35600058	NUT WASHER Ø8X8,4/24/2 A2 DIN 9021

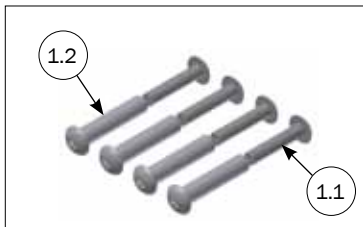
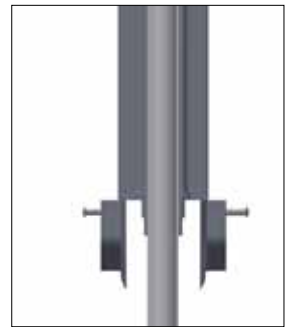
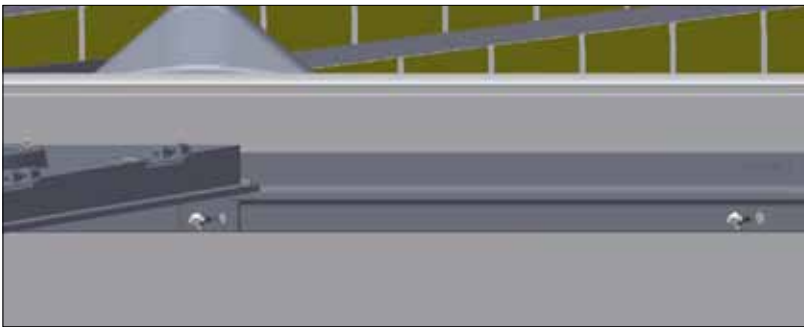
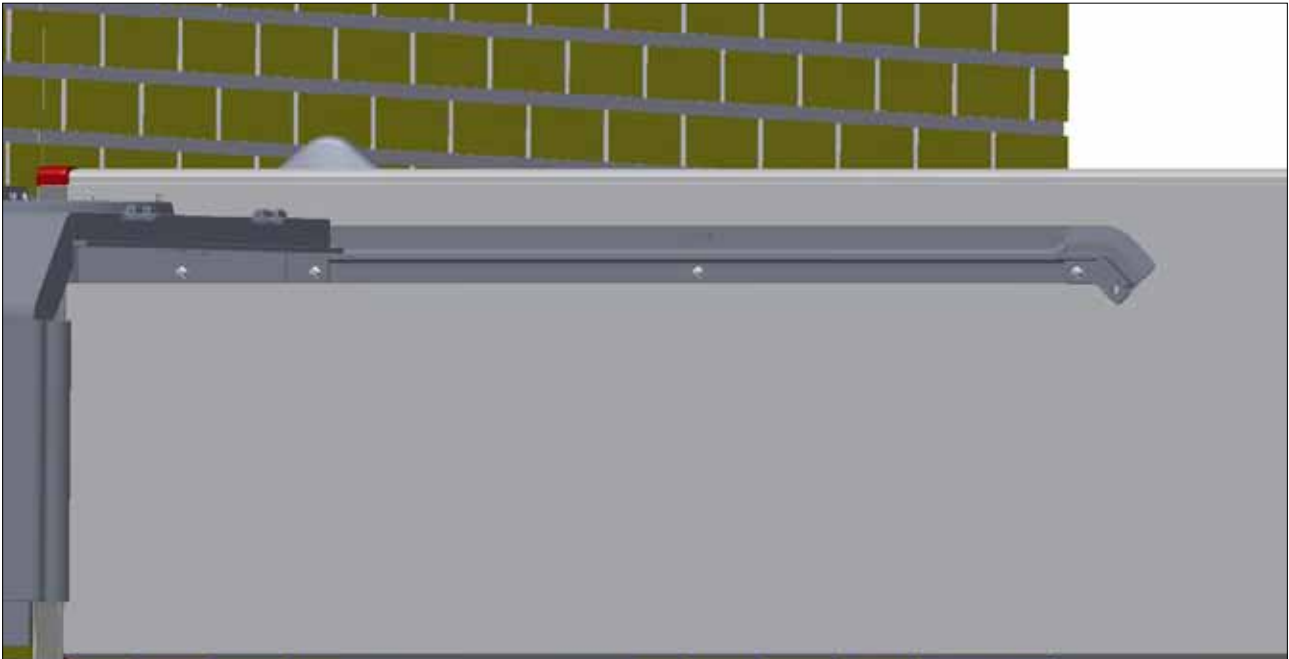
ASSEMBLY INSTRUCTION OF SUPPORT FOR PIGLET NEST COMFORT CORNER II

Step 5

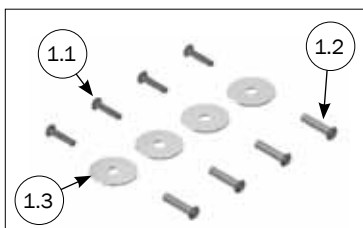


MOUNTING OF SUPPORT FOR PIGLET NEST AGAINST BOARDPROFILE

Step 6

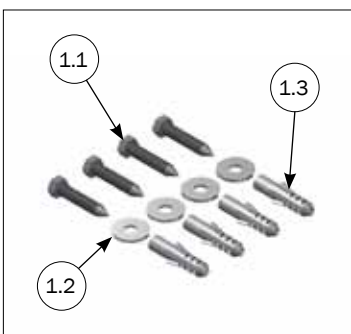
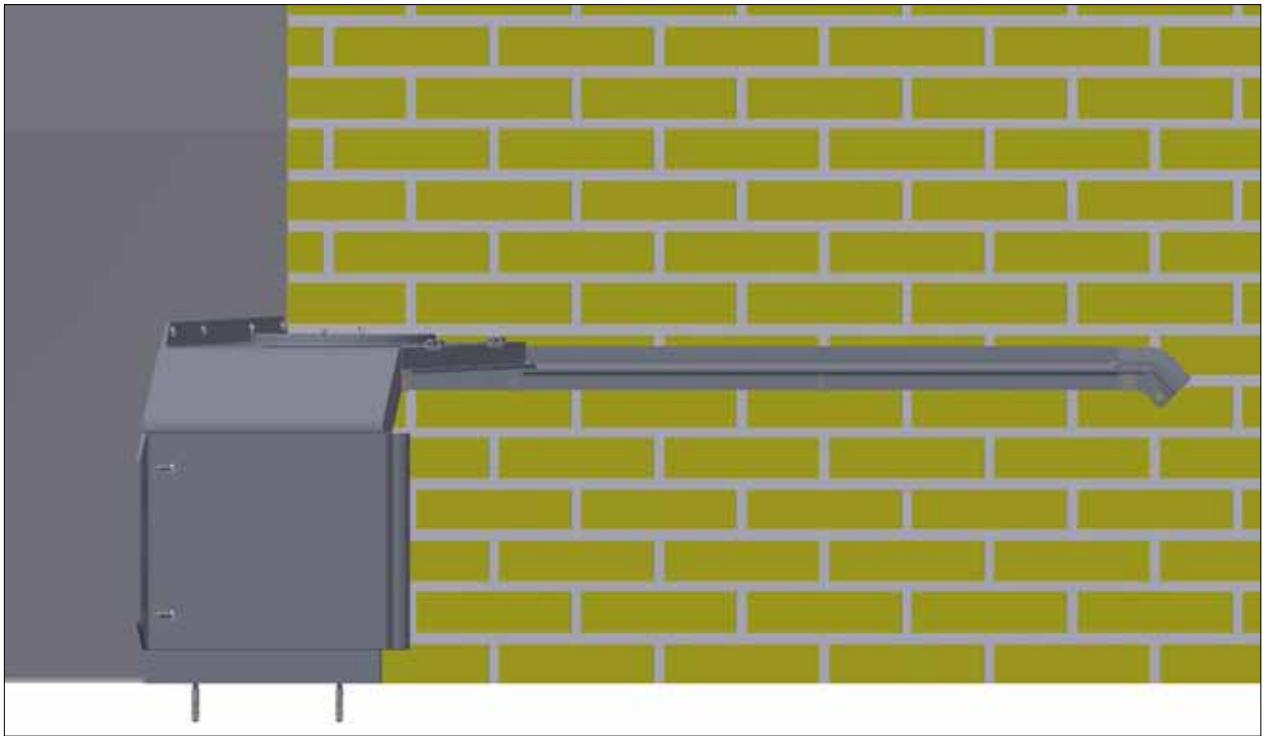


PARTS LIST			
NO.	PCS.	ITEM NO.	DESCRIPTION
	1	2900542	MOUNTING KIT FOR 2 PCS. SUPPORT AGAINST BOARDPROFILE
1.1	4	39106030	CONNECTION SCREW M6X30 STAINLESS TORX 30
1.2	4	39206037	SPLICING SLEEVE M6X37 STAINLESS TORX 30



PARTS LIST			
NO.	PCS.	ITEM NO.	DESCRIPTION
	1	2900544	MOUNTING KIT FOR SINGLE SUPPORT AGAINST BOARDPROFILE
1.1	4	39106030	CONNECTION SCREW M6X30 STAINLESS TORX 30
1.2	4	39206037	SPLICING SLEEVE M6X37 STAINLESS TORX 30
1.3	4	20037	MASTER CLAMP WASHER Ø10,5/45 1,5 A2

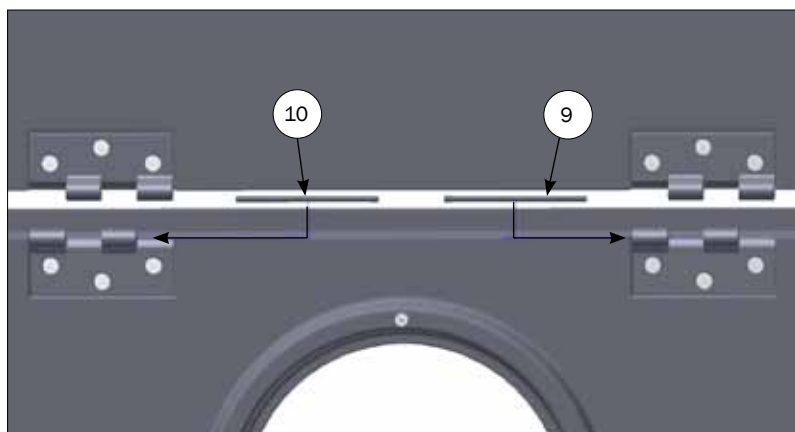
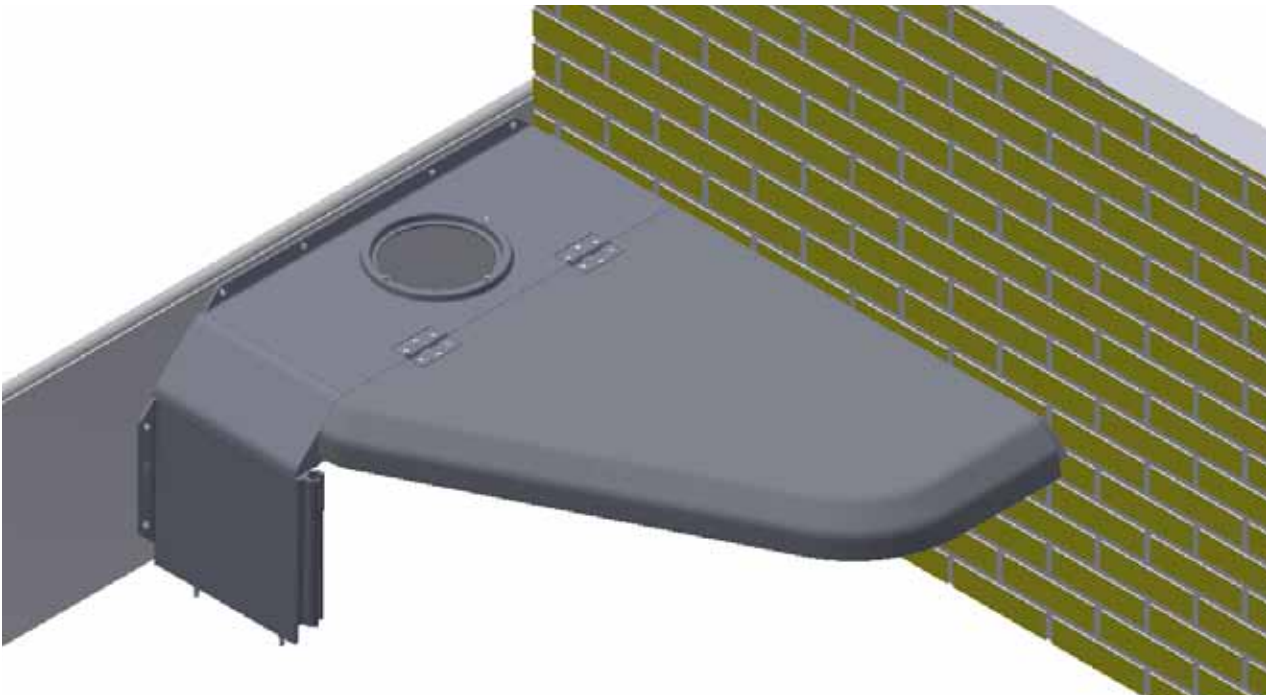
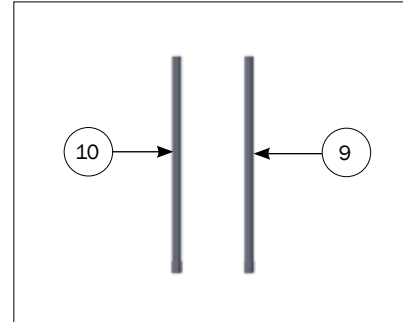
MOUNTING OF SUPPORT FOR PIGLET NEST AGAINST WALL



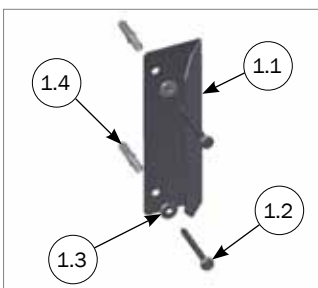
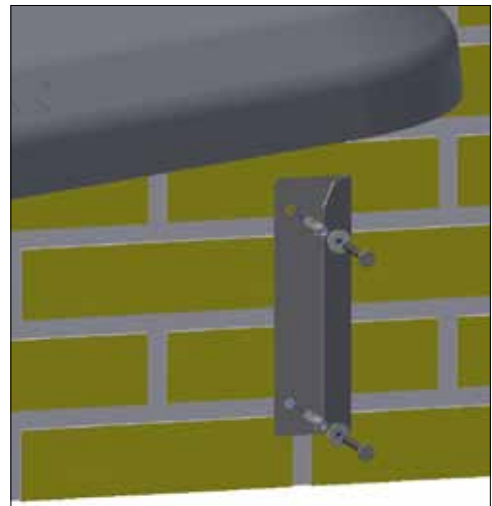
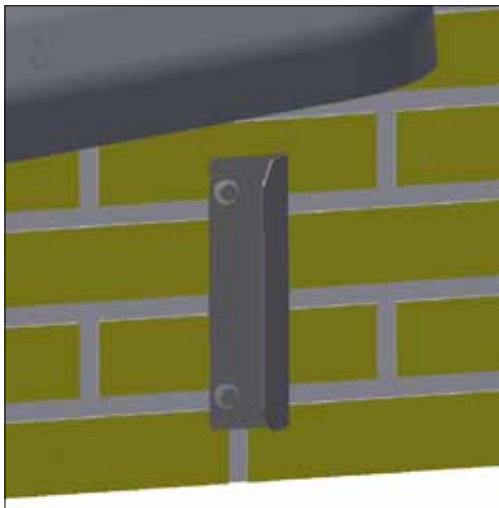
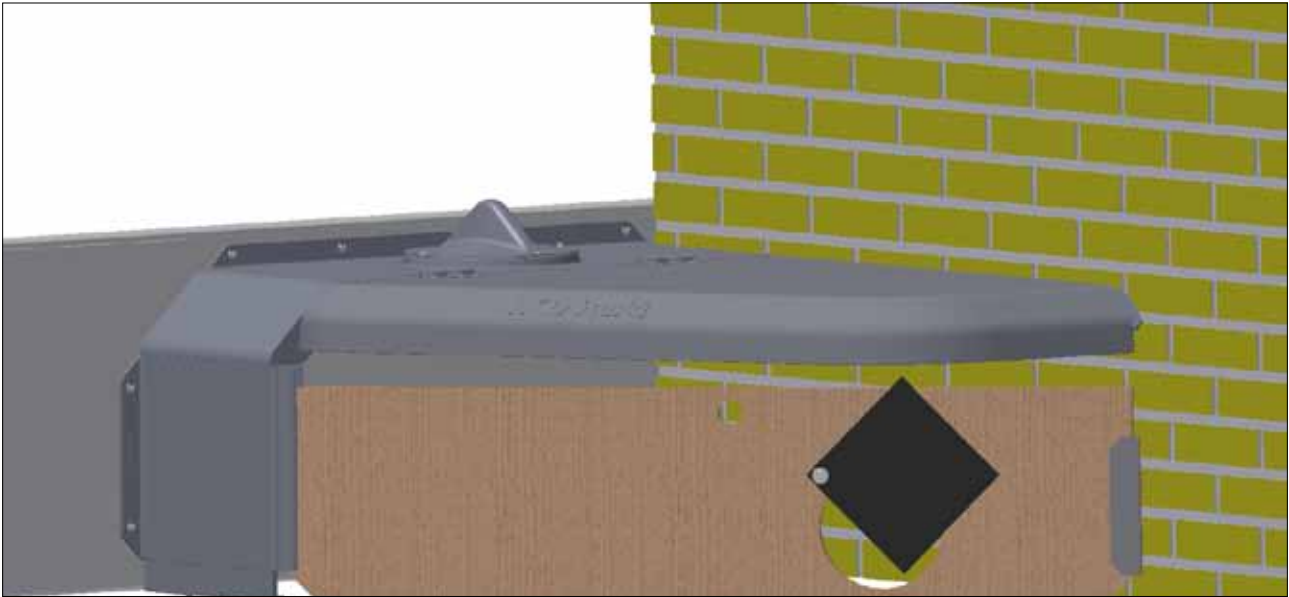
PARTS LIST			
NO.	PCS.	ITEM NO.	DESCRIPTION
	1	2900543	MOUNTING KIT FOR HANGER TAGAINST WALL
1.1	4	34908041	COUCH SCREW M8X40 A2 DIN 571
1.2	4	35600058	NUT WASHER Ø8X8,4/24/2 A2 DIN 9021
1.3	4	39900120	WALL PLUG 10X50MM

MOUNTING OF LID FOR COMFORT CORNER II

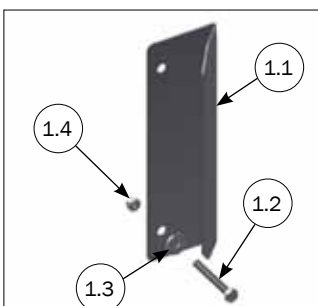
Step 7



MOUNTING OF FITTING FOR RETAINING PLATE FOR NEST AGAINST WALL

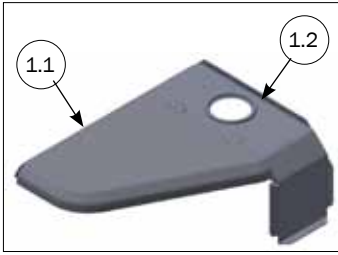


PARTS LIST			
NO.	PCS.	ITEM NO.	DESCRIPTION
	1	2900519	FITTING FOR RETAINING PLATE FOR NEST AGAINST WALL
1.1	1	2920516	FITTING FOR RETAINING PLATE FOR NEST
1.2	2	34906060	COUCH SCREW M6X60 A2 DIN 571
1.3	2	35600093	NUT WASHER Ø6X6,4/18/1,6 A2 DIN 9021
1.4	2	39900000	WALL PLUG 8X40 MM

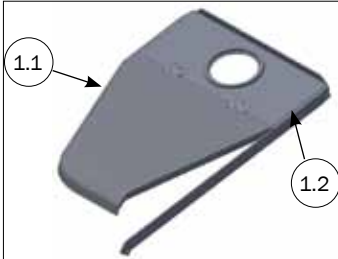


PARTS LIST			
NO.	PCS.	ITEM NO.	DESCRIPTION
	1	2900516	FITTING FOR RETAINING PLATE FOR NEST AGAINST BOARDPROFILE
1.1	1	2920516	FITTING FOR RETAINING PLATE FOR NEST
1.2	1	30306050	SET SCREW M6X50 A2 DIN 933
1.3	1	35600093	NUT WASHER Ø6X6,4/18/1,6 A2 DIN 9021
1.4	1	33596010	LOCK NUT M6 A2 DIN 985

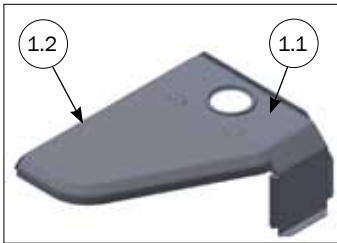
SALES SET FOR COMFORT CORNER II



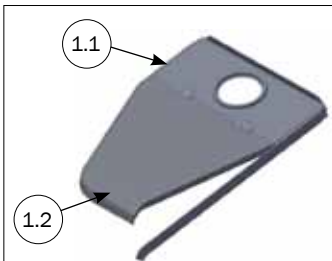
PARTS LIST			
NO.	PCS.	ITEM NO.	DESCRIPTION
	1	2900561	COMFORT CORNER II PIGLET NESTCOVER 90 CM LEFT
1.1	1	2910561	MOUNTED LID FOR COMFORT CORNER 2 LEFT 90 CM
1.2	1	2905560	COMFORT CORNER 2 KIT RIGHT AND LEFT 90 CM



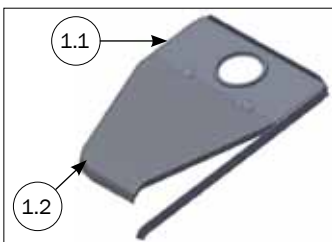
PARTS LIST			
NO.	PCS.	ITEM NO.	DESCRIPTION
	1	2900562	COMFORT CORNER II PIGLET NESTCOVER 90 CM RIGHT
1.1	1	2910562	MOUNTED LID FOR COMFORT CORNER 2 RIGHT 90 CM
1.2	1	2905560	COMFORT CORNER II KIT RIGHT AND LEFT 90 CM



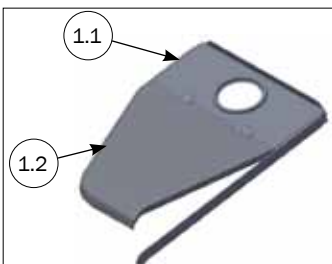
PARTS LIST			
NO.	PCS.	ITEM NO.	DESCRIPTION
	1	2900559	COMFORT CORNER II 85 CM LEFT
1.1	1	2905559	COMFORT CORNER II PIGLET NESTCOVER 85 CM LEFT
1.2	1	2910559	MOUNTED LID FOR COMFORT CORNER II 85 CM LEFT



PARTS LIST			
NO.	PCS.	ITEM NO.	DESCRIPTION
	1	2900558	COMFORT CORNER II 85 CM RIGHT
1.1	1	2905558	COMFORT CORNER II PIGLET NESTCOVER 85 CM RIGHT
1.2	1	2910558	MOUNTED LID FOR COMFORT CORNER II 85 CM RIGHT

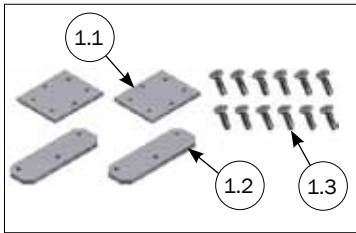


PARTS LIST			
NO.	PCS.	ITEM NO.	DESCRIPTION
	1	2900557	COMFORT CORNER II 80 CM LEFT
1.1	1	2905557	COMFORT CORNER II PIGLET NESTCOVER 80 CM LEFT
1.2	1	2910557	MOUNTED LID FOR COMFORT CORNER II 80 CM LEFT

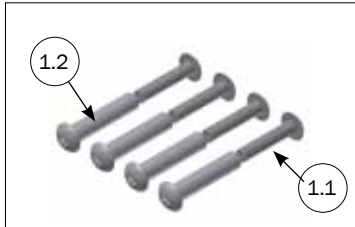


PARTS LIST			
NO.	PCS.	ITEM NO.	DESCRIPTION
	1	2900556	COMFORT CORNER II 80 CM RIGHT
1.1	1	2905556	COMFORT CORNER II PIGLET NESTCOVER 80 CM RIGHT
1.2	1	2910556	MOUNTED LID FOR COMFORT CORNER II 80 CM RIGHT

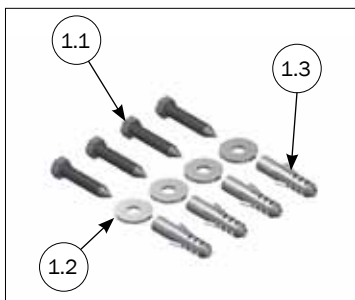
SALES SET FOR COMFORT CORNER II



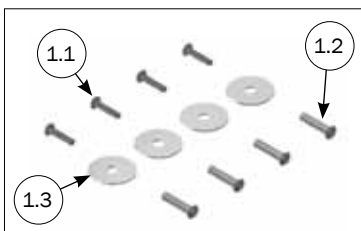
PARTS LIST			
NO.	PCS.	ITEM NO.	DESCRIPTION
	1	2900590	PLATE FOR NESTCOVER KIT
1.1	2	2920590	PLATE FOR NESTCOVER
1.2	2	2920591	MOUNTING PLATE FOR SUSPEND
1.3	12	38505035	HEXAGON SOCKET SCREW FC A2 DIN 7991



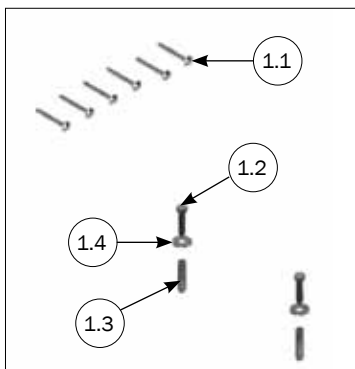
PARTS LIST			
NO.	PCS.	ITEM NO.	DESCRIPTION
	1	2900542	MOUNTING KIT FOR 2 PCS. SUPPORT AGAINST BOARDPROFILE
1.1	4	39106030	CONNECTION SCREW M6X30 STAINLESS TORX 30
1.2	4	39206037	SPLICING SLEEVE M6X37 STAINLESS TORX 30



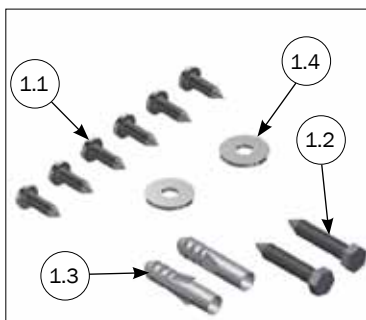
PARTS LIST			
NO.	PCS.	ITEM NO.	DESCRIPTION
	1	2900543	MOUNTING KIT FOR HANGER AGAINST WALL
1.1	4	34908041	COUCH SCREW M8X40 A2 DIN 571
1.2	4	35600058	NUT WASHER Ø8X8,4/24/2 A2 DIN 9021
1.3	4	39900120	WALL PLUG 10X50 MM



PARTS LIST			
NO.	PCS.	ITEM NO.	DESCRIPTION
	1	2900544	MOUNTING KIT FOR SINGLE SUPPORT AGAINST BOARDPROFILE
1.1	4	39106030	CONNECTION SCREW M6X30 STAINLESS TORX 30
1.2	4	39206037	SPLICING SLEEVE M6X37 STAINLESS TORX 30
1.3	4	20037	MASTER CLAMP WASHER Ø10,5/45 1,5 A2



PARTS LIST			
NO.	PCS.	ITEM NO.	DESCRIPTION
	1	41146	MOUNT KIT INN-O-CORNER AGAINST WALL
1.1	6	39406050	CONCRETE SCREW 6,5 X 50 STAINLESS STEEL
1.2	2	34908041	COUCH SCREW M8X40 A2 DIN 571
1.3	2	39900120	WALL PLUG 10X50 MM
1.4	2	35600058	NUT WASHER Ø8X8,4/24/2 A2 DIN 9021



PARTS LIST			
NO.	PCS.	ITEM NO.	DESCRIPTION
	1	41145	MOUNT KIT PIGLET NEST AGAINST PANEL
1.1	6	67088	6,3 X 22 PLATE SCREW PH POZUSP
1.2	2	34908041	COUCH SCREW M8X40 A2 DIN 571
1.3	2	39900120	WALL PLUG 10X50 MM
1.4	2	35600058	NUT WASHER Ø8X8,4/24/2 A2 DIN 9021

SALES SET FOR COMFORT CORNER II



PARTS LIST			
NO.	PCS.	ITEM NO.	DESCRIPTION
1	1	2960510	COVER FOR HEATING LAMP



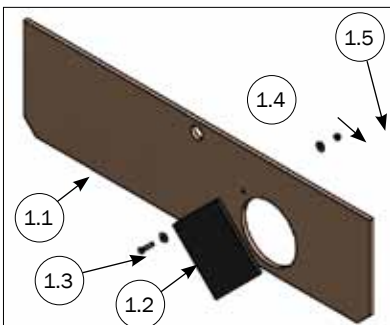
PARTS LIST			
NO.	PCS.	ITEM NO.	DESCRIPTION
1	1	2920509	LOCKPLATE FOR HEAT LAMP



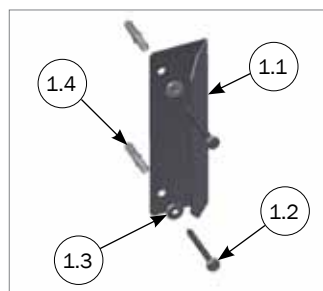
PARTS LIST			
NO.	PCS.	ITEM NO.	DESCRIPTION
1	1	9971000	HEATING LAMP 21 CM WITH 2,5 MCABLE
2	1	9971004	HEATING LAMP 21 CM WITH 2,5 MCABLE, CE-PLUG



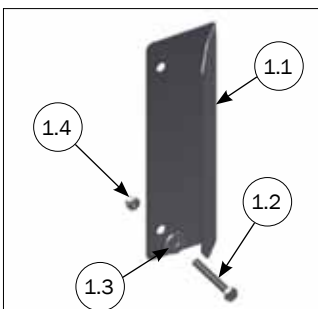
PARTS LIST			
NO.	PCS.	ITEM NO.	DESCRIPTION
	1	8460390	RETAING PLATE 1270X290 MM FORCOMFORT CORNER II



PARTS LIST			
NO.	PCS.	ITEM NO.	DESCRIPTION
	1	44220	BLOCKING PLATE W/HOLE FOR PIGLETS
1.1	1	97016	PLATE 12 MM 123,5 X 30 CM W/HOLE
1.2	1	97017	PLASTIC PLATE 10 MM 20 X 20 CM
1.3	1	30308035	SET SCREW M8X35 A2 DIN 933
1.4	2	35600058	NUT WASHER Ø8X8,4/24/2 A2 DIN 9021
1.5	1	33908001	LOCK NUT M8 A2 DIN 985



PARTS LIST			
NO.	PCS.	ITEM NO.	DESCRIPTION
	1	2900519	FITTING FOR RETAINING PLATE FOR NEST AGAINST WALL
1.1	1	2920516	FITTING FOR RETAINING PLATE FOR NEST
1.2	2	34906060	COUCH SCREW M6X60 A2 DIN 571
1.3	2	35600093	NUT WASHER Ø6X6,4/18/1,6 A2 DIN 9021
1.4	2	39900000	WALL PLUG 8X40 MM



PARTS LIST			
NO.	PCS.	ITEM NO.	DESCRIPTION
	1	2900516	FITTING FOR RETAINING PLATE FOR NEST AGAINST BOARDPROFILE
1.1	1	2920516	FITTING FOR RETAINING PLATE FOR NEST
1.2	1	30306050	SET SCREW M6X50 A2 DIN 933
1.3	1	35600093	NUT WASHER Ø6X6,4/18/1,6 A2 DIN 9021
1.4	1	33596010	LOCK NUT M6 A2 DIN 985

NOTE

NOTE
