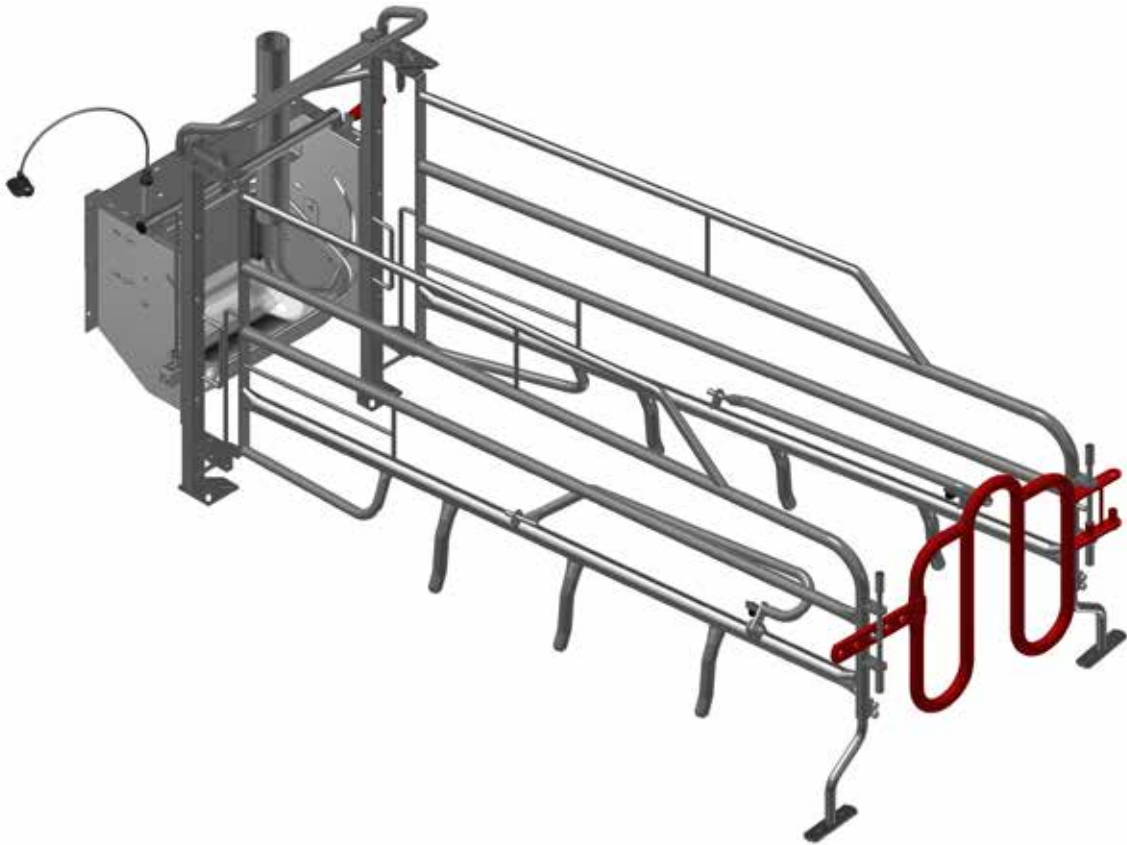


MOUNTING INSTRUCTION



INN-O-CRATE with tilt trough



ACO FUNKI A/S
Kirkevænget 5
DK-7400 Herning

Tel. +45 9711 9600
Fax +45 9711 9677
www.acofunki.com

DANISH DESIGN | GERMAN QUALITY | GLOBAL EXPERIENCE

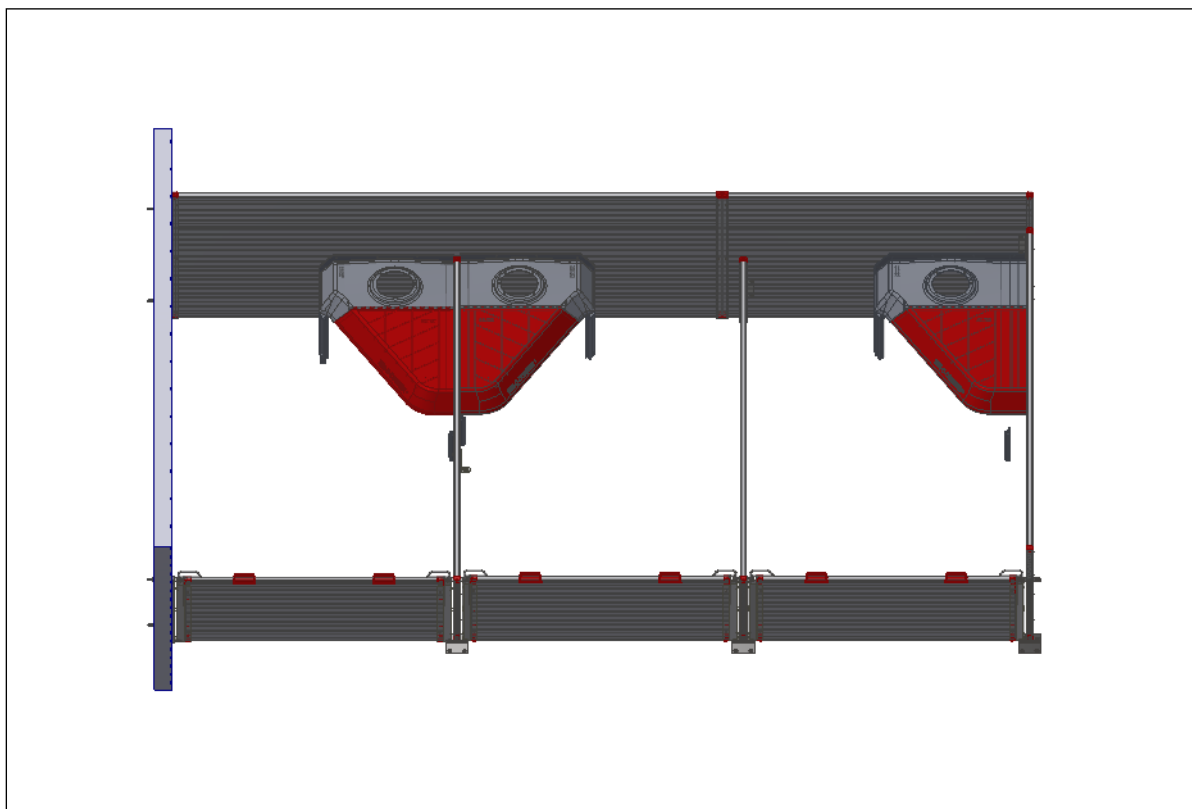
Table of Content

| | |
|--|---------|
| INN-O-CRATE farrowing box with tilt trough | 3 |
| Farrowing rail with tilt trough | 4 - 9 |
| Farrowing rail mounted in combi floor | 15 |
| Water supply kit, stainless steel | 16 - 19 |
| Down pipe on farrowing rail | 20 |
| Water pipe on board profile or the wall | 21 - 22 |
| Water supply kit, pvc | 23 - 25 |
| Farrowing partition with tilting bow | 26 |
| Farrowing partition for export | 27 |
| Mounting of farrowing partition | 28 -29 |
| Farrowing partition in combi floor | 30 |
| Bolt-on fitting in cast iron slats | 31 |
| Rear gate on farrowing partition | 32 |

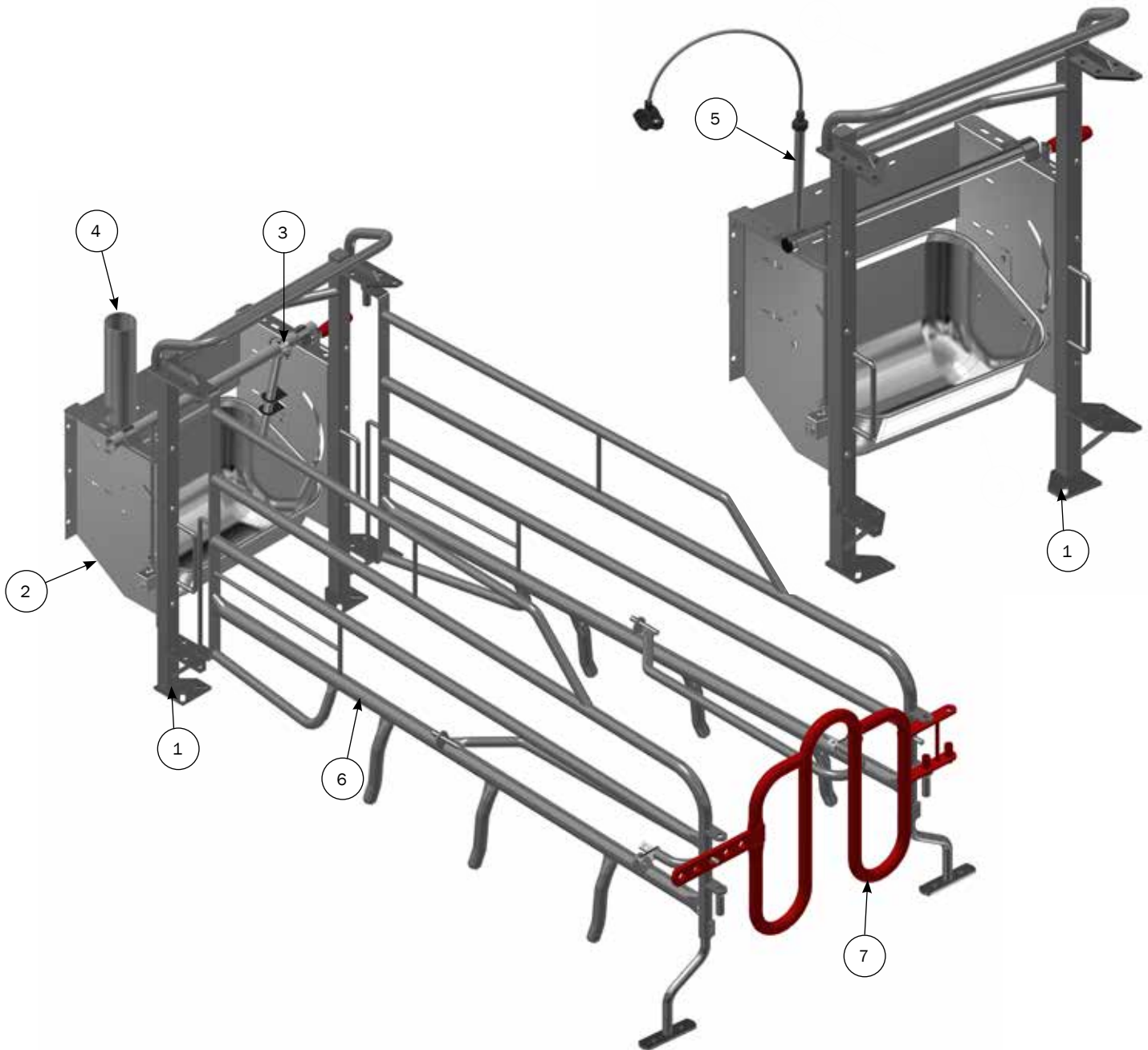
For mounting of piglet nest, look at : M-6206 and M-6183 comfort - inn-0-corner

For mounting of water for weaners, look at : M-6208

For mounting of farrowing pen box, look at : M-6204 and M-6205 farrowing pen box

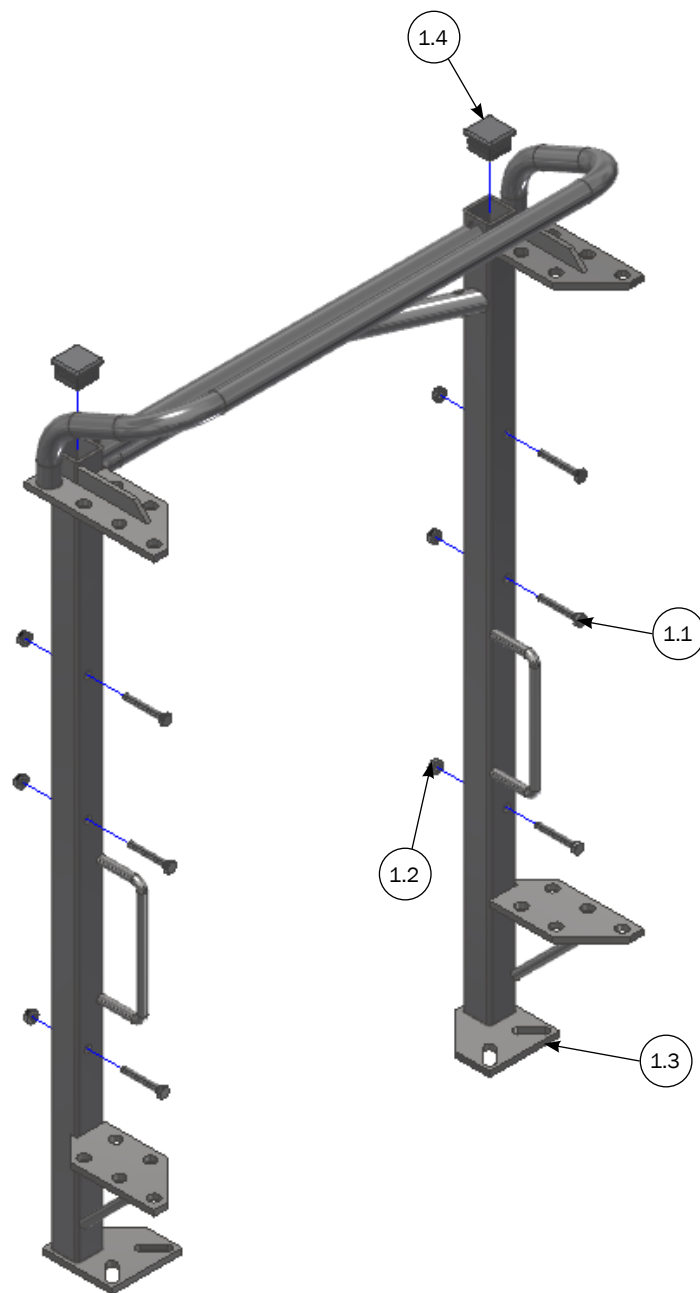


Parts list on INN-O-CRATE farrowing box with tilt trough



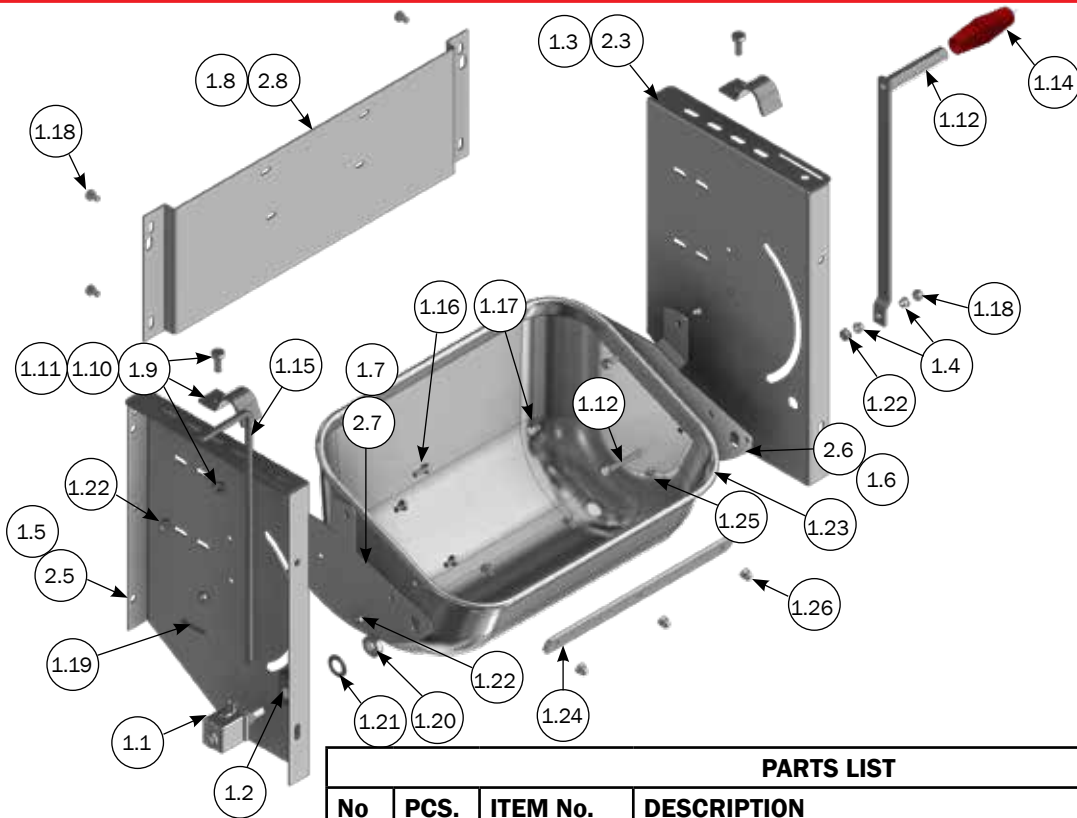
| PARTS LIST | | | |
|------------|------|----------|---|
| No | PCS. | ITEM No. | DESCRIPTION |
| 1 | 1 | 2700040 | FARROWING RAIL INN-O-CRATE WITHOUT FRONT PART |
| 2 | 1 | 2100626 | TILT TROUGH KIT STAINLESS STEEL |
| 3 | 1 | 2700135 | WATER PIPE KIT FOR TILT TROUGH STAINLESS STEEL |
| 4 | 1 | 2900605 | PROTECTION PIPE FOR MOVING FLOOR, STAINLESS STEEL |
| 5 | 1 | 2700155 | WATER PIPE KIT FOR TILT TROUGH |
| 6 | 1 | 2700325 | FARROWING PARTITION XL SHORT WITH TILT FENDER |
| 7 | 1 | 42335RD | REARGATE FOR FARROWING BOX XL RED, REVERSIBLE |

Parts list on farrowing rail



| PARTS LIST | | | |
|------------|------|----------|---|
| No | PCS. | ITEM No. | DESCRIPTION |
| 1 | 1 | 2700040 | FARROWING RAIL INN-O-CRATE WITHOUT FRONT PART |
| 1.1 | 6 | 30308055 | SET SCREW M8X55 A2 DIN 933 |
| 1.2 | 6 | 68552 | M8 FLANGE NUT DIN 6923 A2 |
| 1.3 | 1 | 2720040 | FARROWING RAIL FOR PLASTIC/STAINLESS STEEL TROUGH |
| 1.4 | 2 | 9960003 | CAP 40 X 40 X 1.5 - 4.0 |

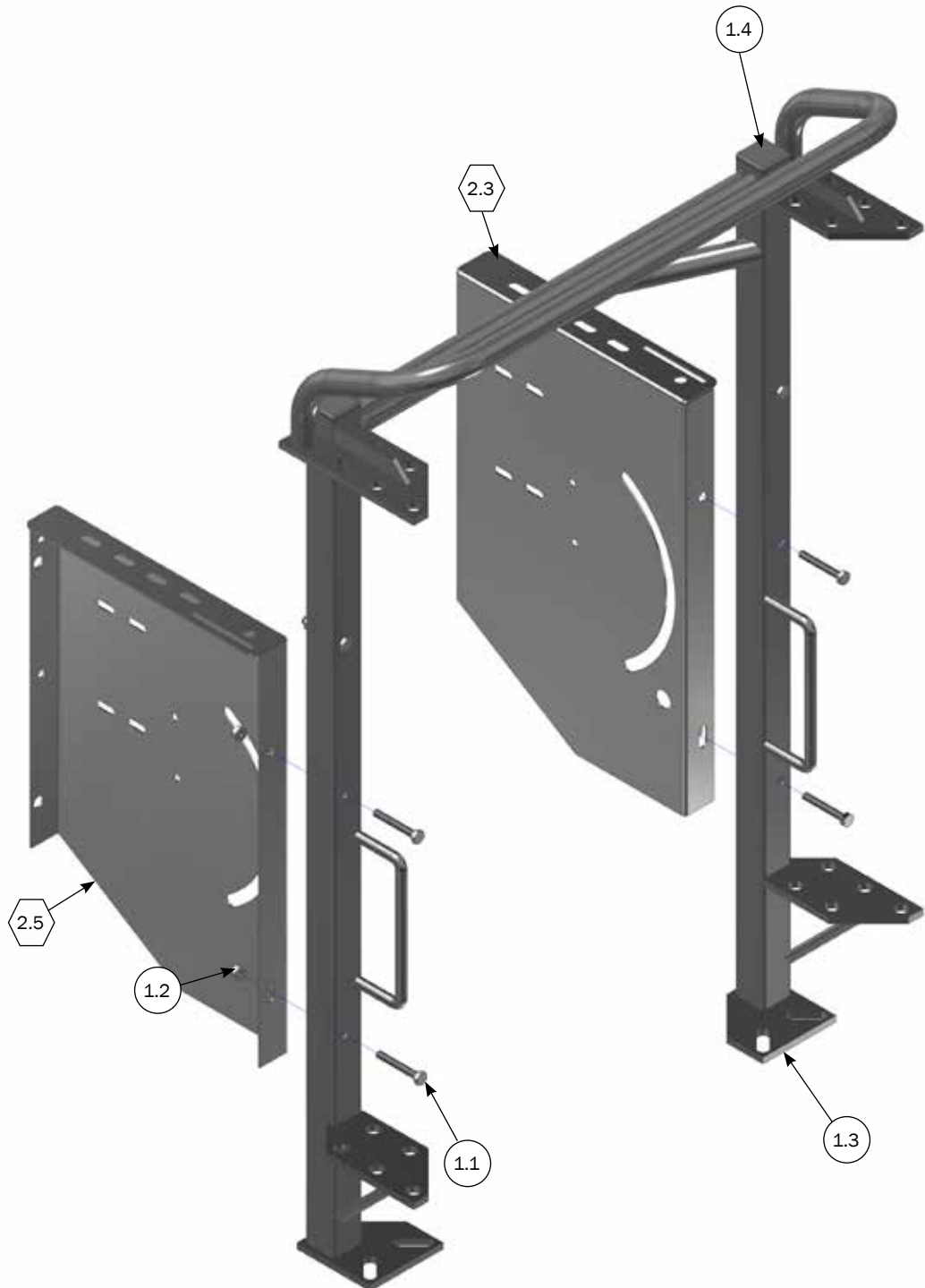
Parts list on tilt trough



| PARTS LIST | | | |
|------------|------|----------|---|
| No | PCS. | ITEM No. | DESCRIPTION |
| 1 | | 2100626 | TILT TROUGH KIT STAINLESS STEEL |
| 2 | | 2700626 | TILT TROUGH KIT GALVANIZED |
| 1.1 | 1 | 17120 | CASE TURN LOCK |
| 1.2 | 1 | 17159 | DISTANCE BLOCK TURN LOCK |
| 1.3 | 1 | 2150626 | RIGHT SIDE FOR TILT TROUGH STAINLESS STEEL |
| 2.3 | 1 | 2720626 | RIGHT SIDE FOR TILT TROUGH GALVANIZED |
| 1.4 | 4 | 59523 | BUSHING LOCK ENDPARTITION FREE ACCESS BOX |
| 1.5 | 1 | 2150627 | LEFT SIDE FOR TILT TROUGH STAINLESS STEEL |
| 2.5 | 1 | 2720627 | LEFT SIDE FOR TILT TROUGH GALVANIZED |
| 1.6 | 1 | 8440704 | RIGHT HINGE FOR TILT TROUGH STAINLESS STEEL |
| 2.6 | 1 | 2720504 | RIGHT HINGE FOR TILT TROUGH GALVANIZED |
| 1.7 | 1 | 8440705 | LEFT HINGE FOR TILT TROUGH STAINLESS STEEL |
| 2.7 | 1 | 2720505 | LEFT HINGE FOR TILT TROUGH GALVANIZED |
| 1.8 | 1 | 8440703 | REAR PLATE FOR TILT TROUGH STAINLESS STEEL |
| 2.8 | 1 | 2720503 | REAR PLATE FOR TILT TROUGH GALVANIZED |
| 1.9 | 2 | 16375 | PIPE RETAINER 1' WITHOUT BOLT |
| 1.10 | 2 | 30310025 | SET SCREW M10X25 A2 DIN 933 |
| 1.11 | 2 | 33510017 | NUT M10 A2 DIN 934 |
| 1.12 | 1 | 30308065 | SET SCREW M8X65 A2 DIN 933 |
| 1.13 | 1 | 2120618 | HANDLE FOR TILT TROUGH |
| 1.14 | 1 | 1960192 | HANDLE FOR PIN FOR GATES |
| 1.15 | 1 | 2920621 | RELEASE ARM FOR TILT TROUGH |
| 1.16 | 2 | 30308020 | SET SCREW M8X20 A2 DIN 933 |
| 1.17 | 7 | 30308012 | SET SCREW M8X12 A2 DIN 933 |
| 1.18 | 1 | 33908001 | LOCK NUT M8 A2 DIN 985 |
| 1.19 | 1 | 35900095 | SPLIT 4X40 A2 DIN 94 |
| 1.20 | 1 | 68593 | LOCK NUT A2 20 X 1,5 |
| 1.21 | 1 | 68763 | LOCK WASHER 20 MM DIN 6798A |
| 1.22 | 11 | 68552 | M8 FLANGE NUT DIN 6923 A2 |
| 1.23 | 1 | 2950721 | TROUGH WITH HOLES FOR SUPPORT BAR |
| 1.24 | 1 | 8050246 | STAINLESS SUPPORT BAR |
| 1.25 | 3 | 30308016 | SET SCREW M8X16 A2 DIN 933 |
| 1.26 | 3 | 33208001 | CAP NUT M8 A2 DIN 1587 |

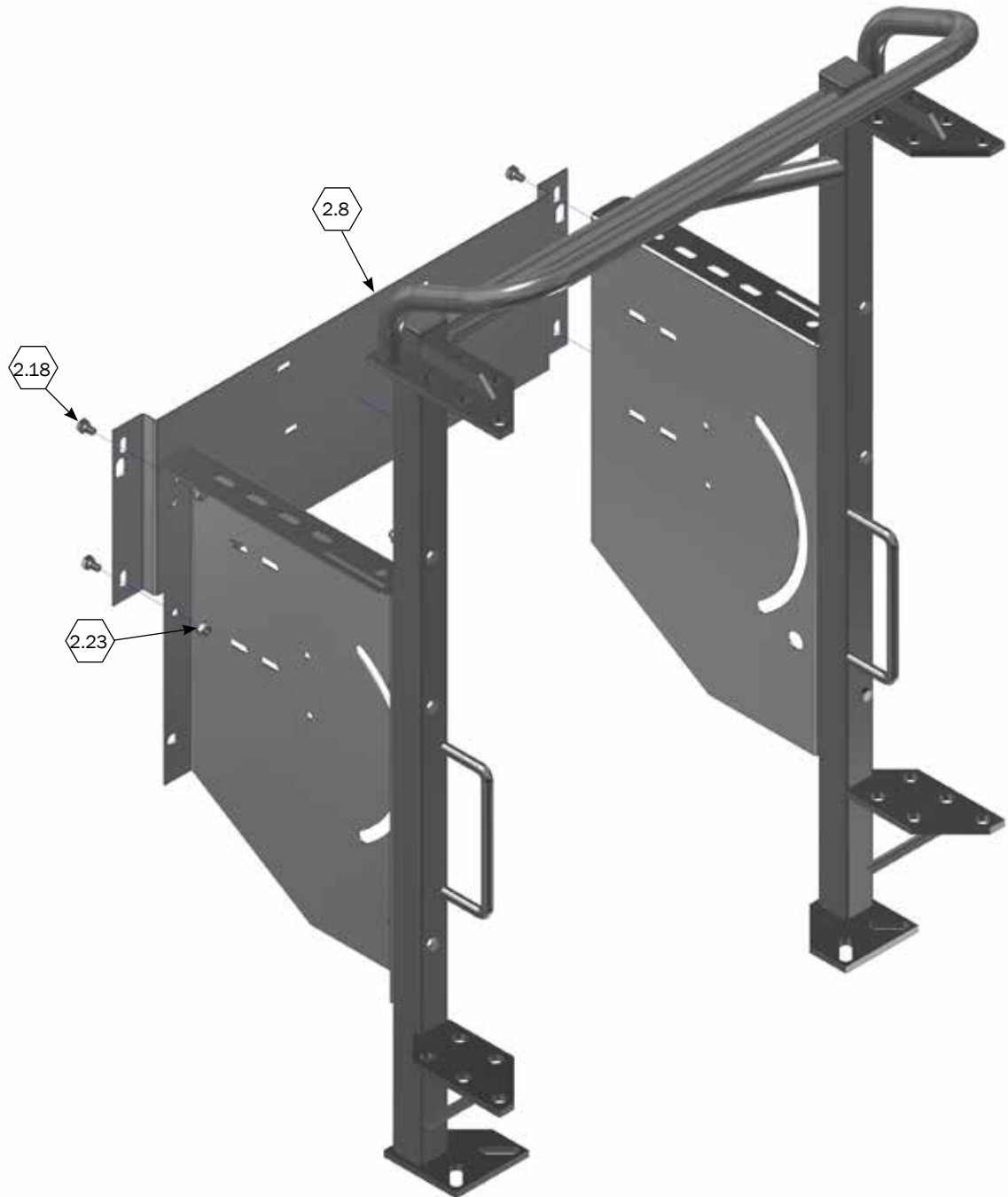
Mounting of bracket on farrowing rail

- For parts list look at page 4
- ⬡ For parts list look at page 5



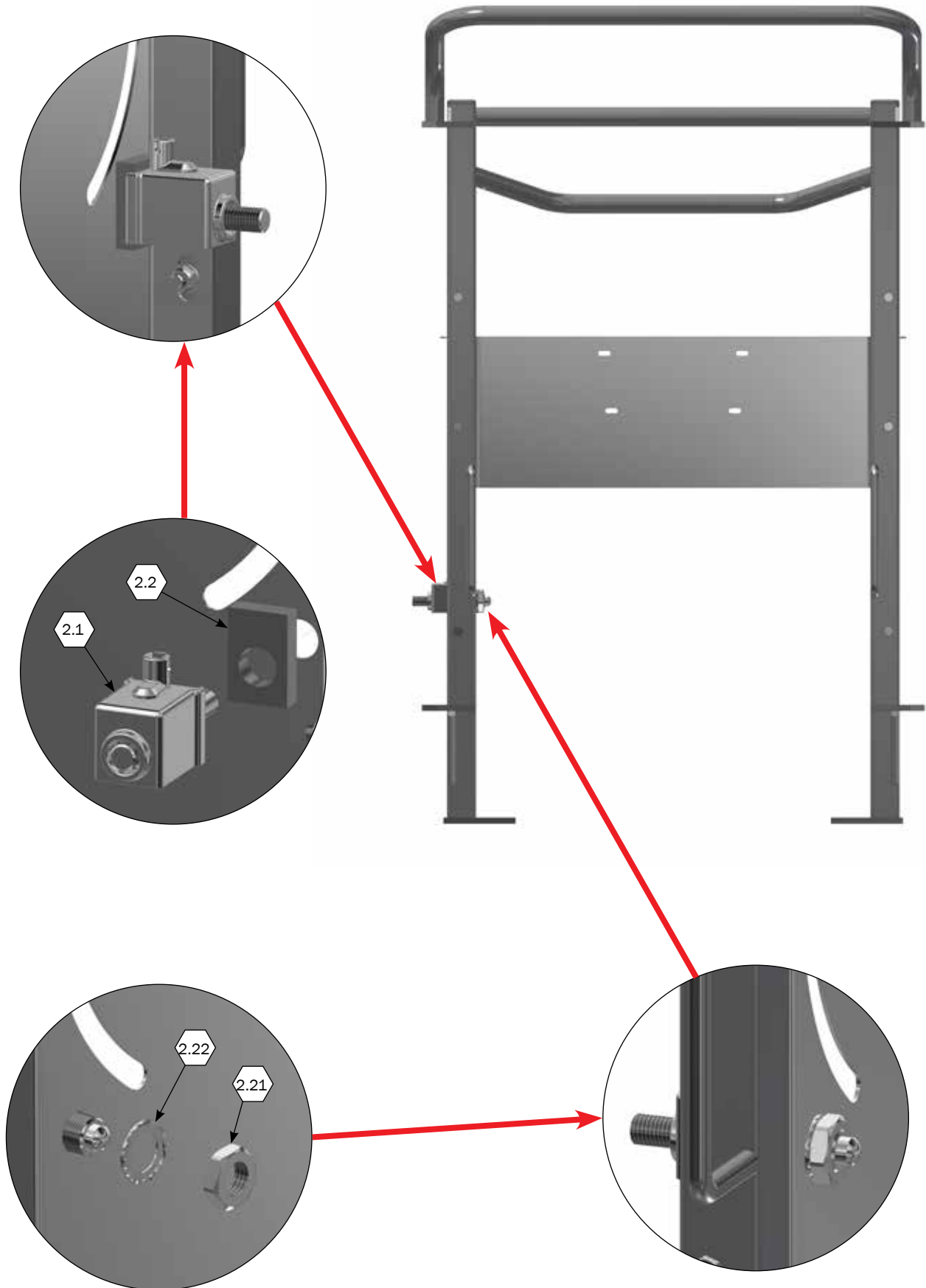
Mounting of back plate for moving floor

⬡ For parts list look at page 5



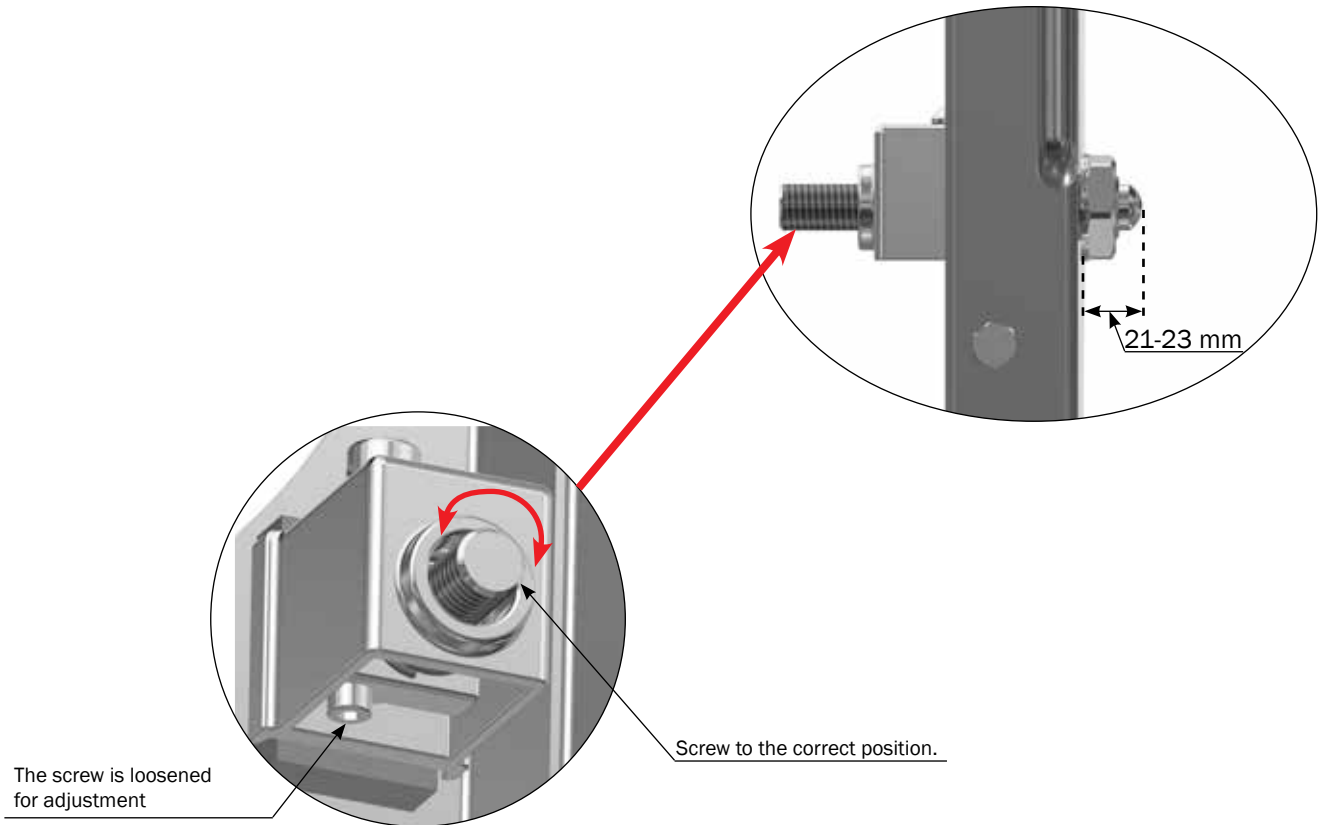
Mounting of case turn lock

⬡ For parts list look at page 5



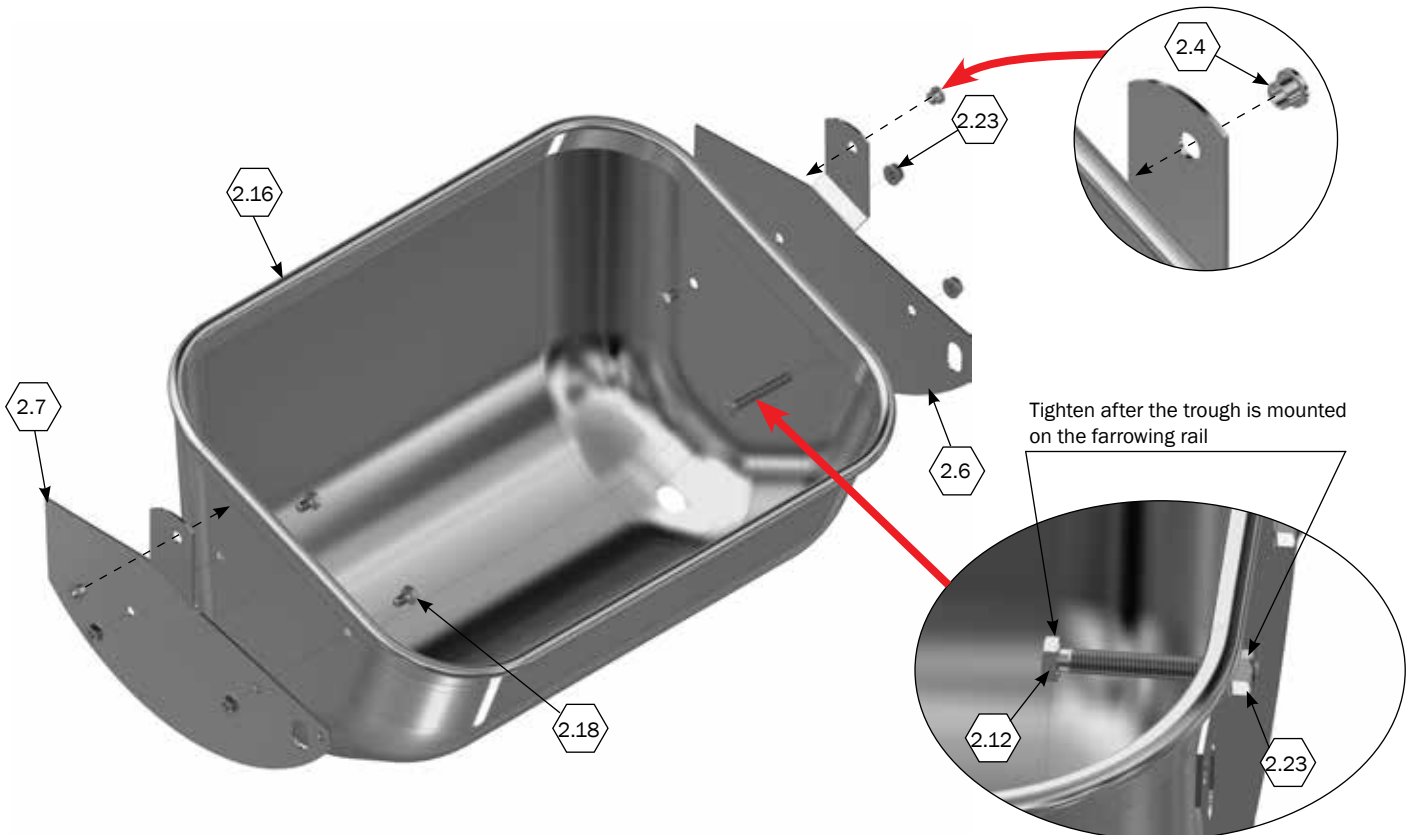
Adjustment of case turn lock

⬡ For parts list look at page 5



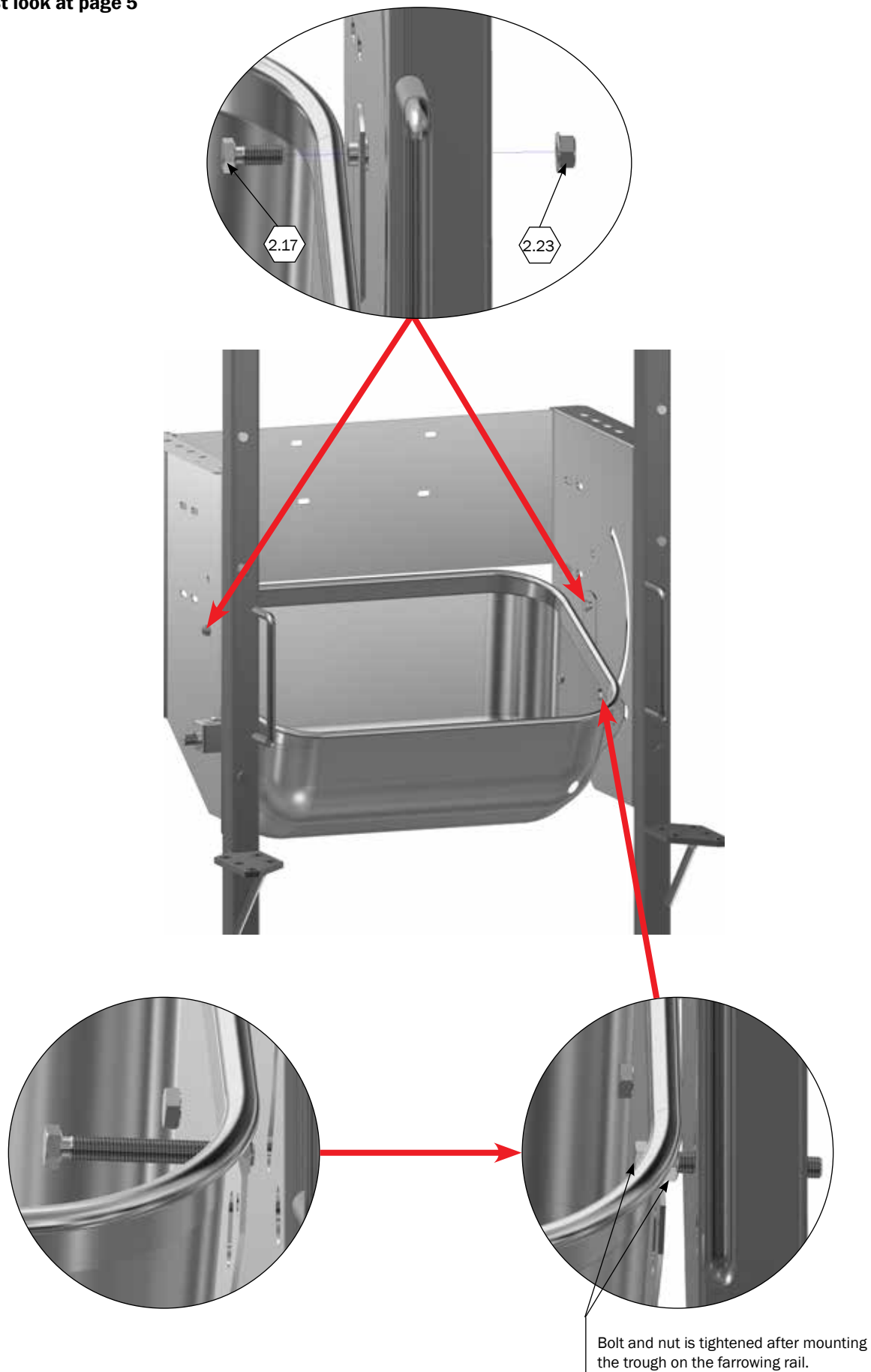
Preparing of tilt trough for mounting on farrowing rail

⬡ for parts list look at page 5



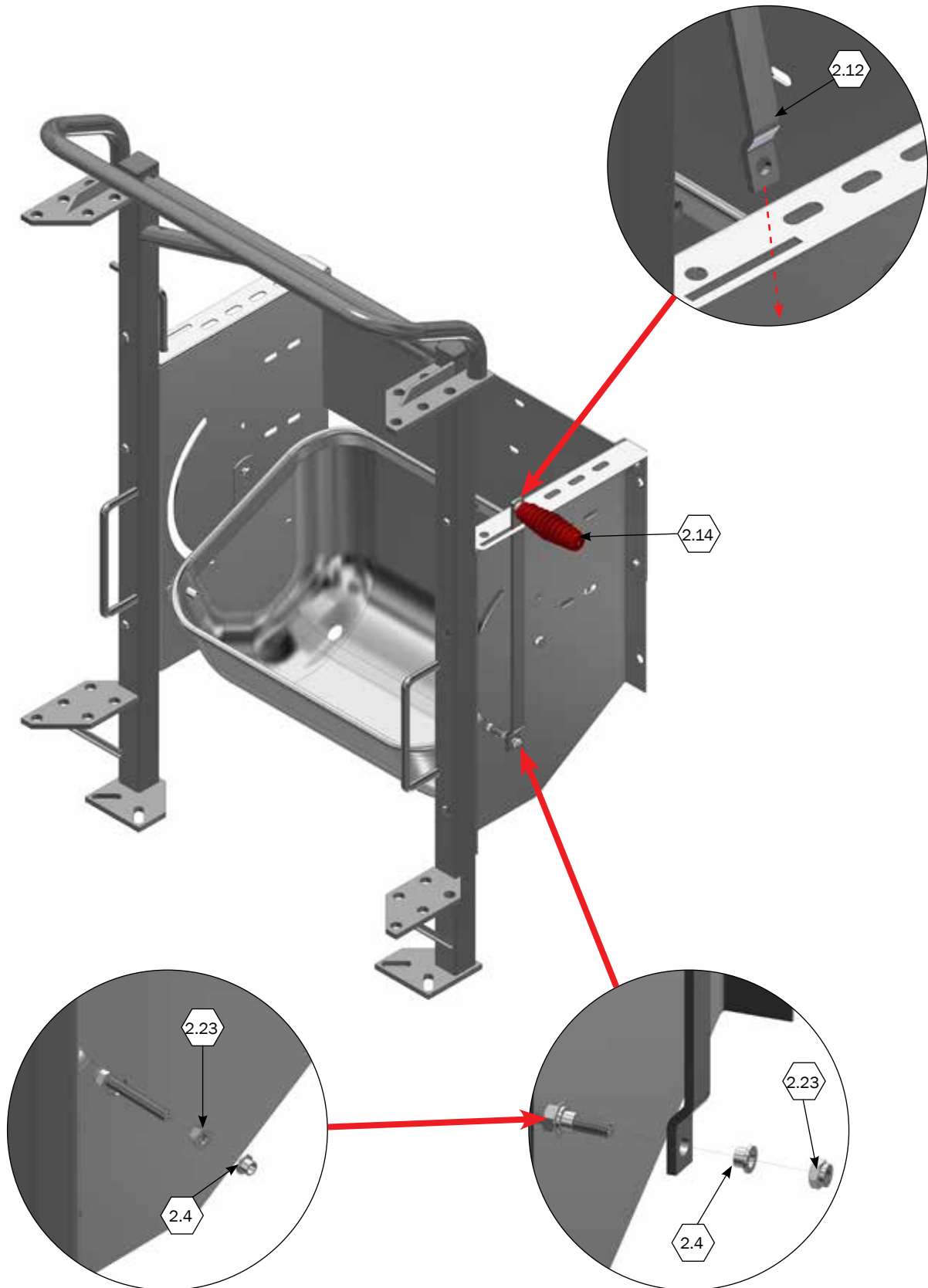
Mounting of tilt trough on farrowing rail

⬡ For parts list look at page 5



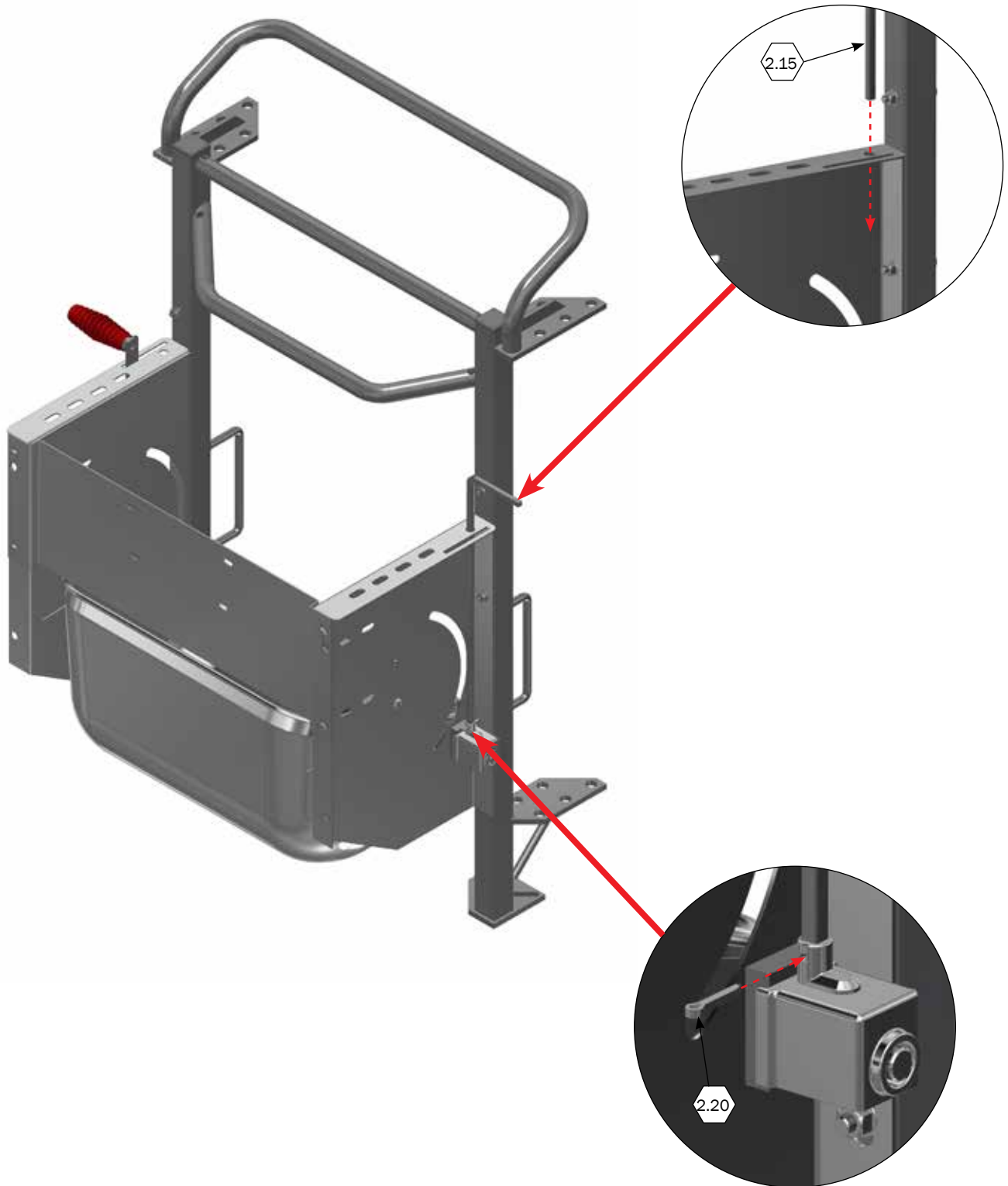
Mounting of handle on tilt trough

⬡ For parts list look at page 5



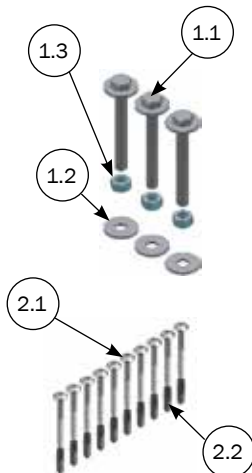
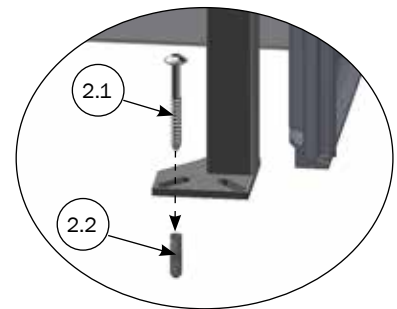
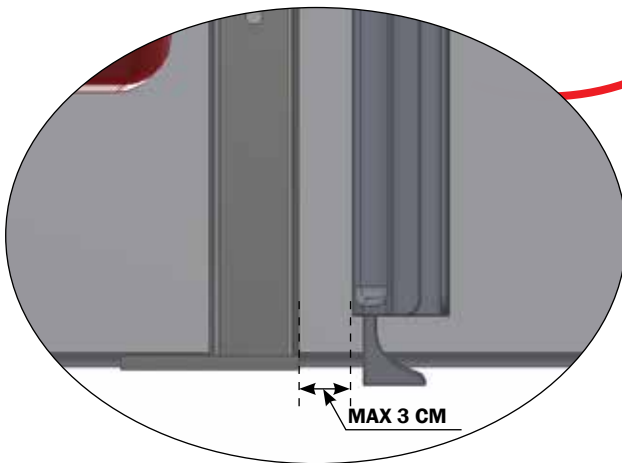
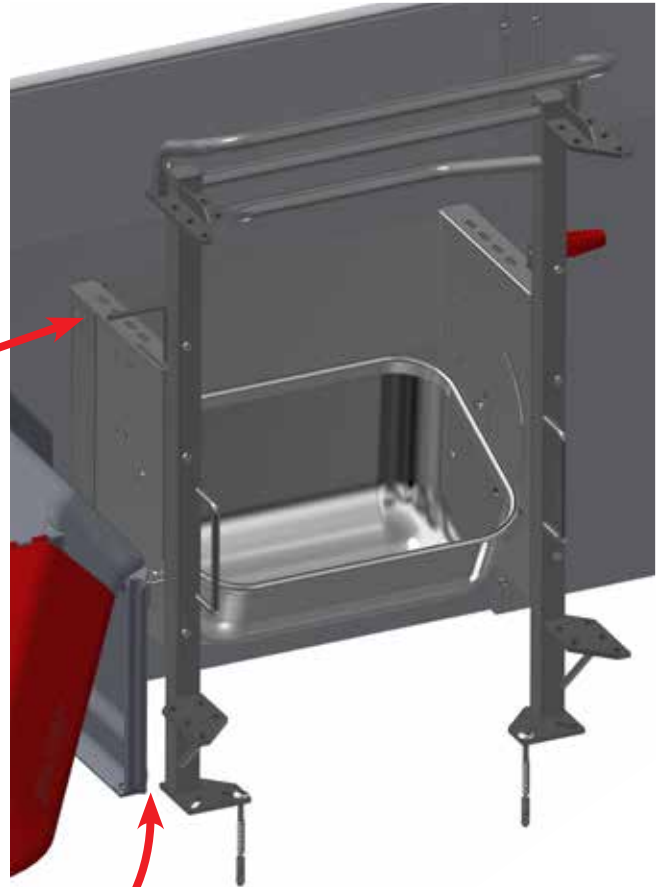
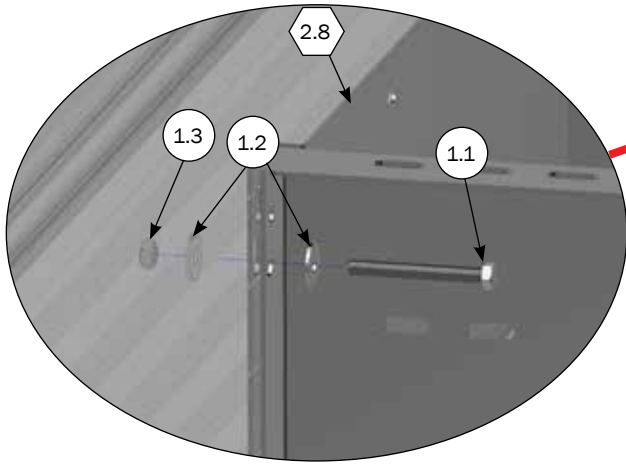
Mounting of release arm

⬡ For parts list look at page 5



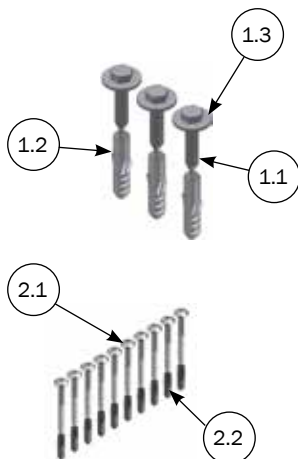
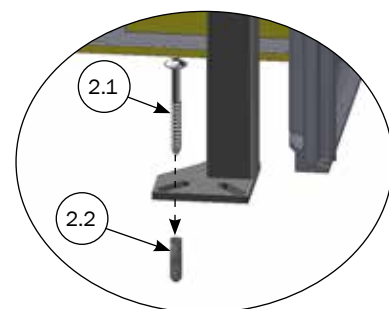
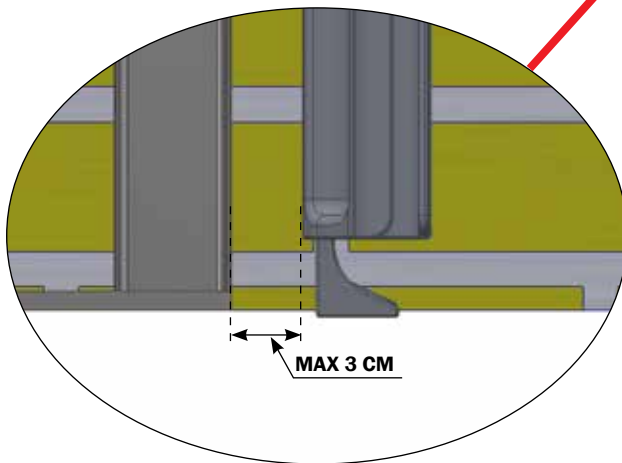
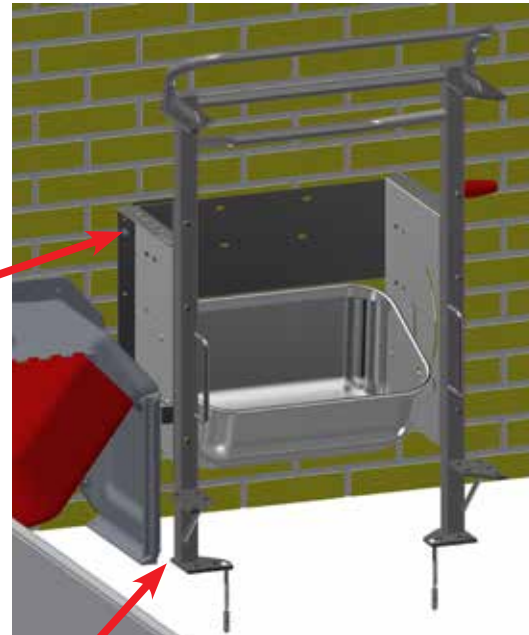
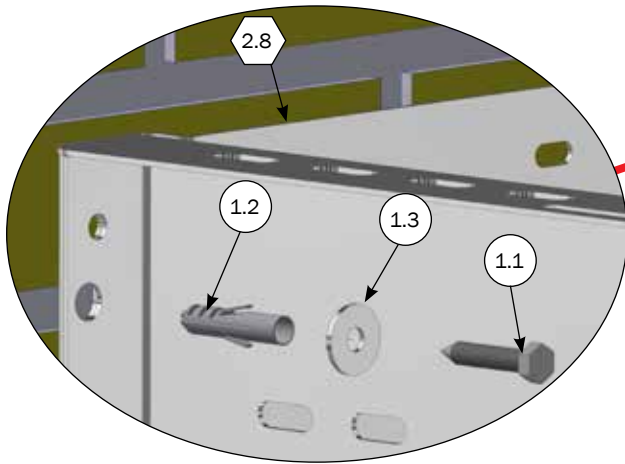
Mounting of farrowing rail with tilt trough in board profile and concrete floor

⬡ For parts list look at page 5



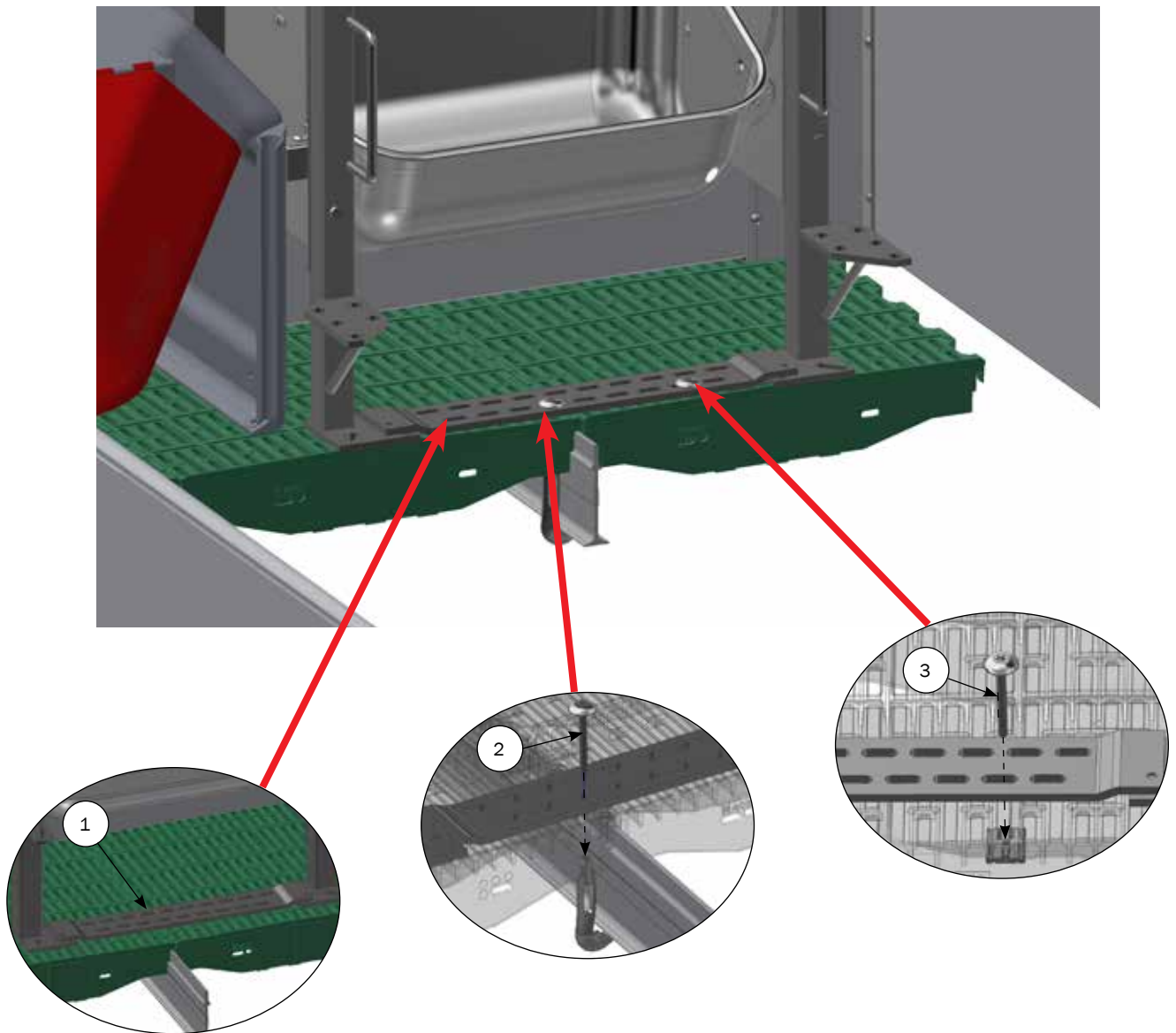
| PARTS LIST | | | |
|------------|--------|----------|---|
| No | PCS. | ITEM No. | DESCRIPTION |
| 1 | 1 | 2900801 | BOLTSET FOR 2 PCS TROUGH AGAINST BOARD PROFILE |
| 1.1 | 3 | 30308070 | SET SCREW M8X70 A2 DIN 933 |
| 1.2 | 6 | 35600058 | NUT WASHER Ø8X8,4/24/2 A2 DIN 9021 |
| 1.3 | 3 | 33508013 | NUT M8 A2 DIN 934 |
| | 2 | 4800010 | 10 PCS. SS BUTTON HEAD SCREWS 10X70 + WALL PLUG |
| 2.1 | (10) 2 | 67444 | 10 X 70 BUTTON HEAD TORX 50 STAINLESS STEEL |
| 2.2 | (10) 2 | 39900001 | WALL PLUG 12X60 MM |

Mounting of farrowing rail with tilt trough in wall and concrete floor



| PARTS LIST | | | |
|------------|--------|----------|---|
| No | PCS. | ITEM No. | DESCRIPTION |
| 1 | 1 | 2900800 | BOLTSET FOR TROUGH AGAINST WALL |
| 1.1 | 3 | 34908041 | COUCH SCREW 8X40 A2 DIN 571 |
| 1.2 | 6 | 39900120 | WALL PLUG 10X50MM |
| 1.3 | 3 | 35600058 | NUT WASHER Ø8X8,4/24/2 A2 DIN9021 |
| 2 | 1 | 4800010 | 10 PCS. SS BUTTON HEAD SCREWS 10X70 + WALL PLUG |
| 2.1 | (10) 2 | 67444 | 10 X 70 BUTTON HEAD TORX 50 STAINLESS STEEL |
| 2.2 | (10) 2 | 39900001 | WALL PLUG 12X60 MM |

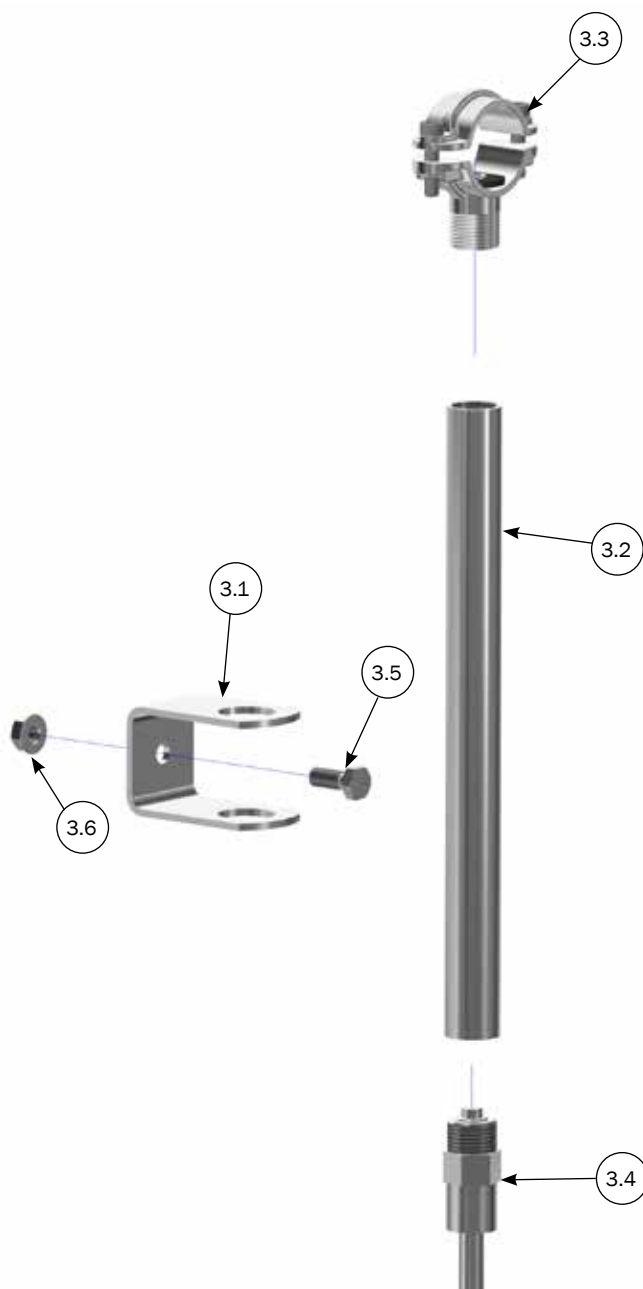
Mounting of farrowing rail in combi floor



For mounting of pos no. 3 look at page : 31

| PARTS LIST | | |
|------------|----------|---|
| No | ITEM No. | DESCRIPTION |
| 1 | 42202 | FOOTBRACKET FOR FARROWING RAIL |
| 2 | 4800025 | 10 PIECE ANCHOR SET M8 80-115MM |
| 2 | 4800030 | 10 PIECE ANCHOR SET M8 100-145 MM |
| 2 | 4800035 | 10 PIECE ANCHOR SET M8 130-160 MM |
| 2 | 4800040 | 10 PIECE ANCHOR SET M8 100-130 MM |
| 2 | 4800045 | 10 PIECE ANCHOR SET M8 120-150 MM |
| 2 | 4800050 | 10 PIECE ANCHOR SET M8 150-180 MM |
| 2 | 29100067 | THREAD GLUE STRONG, ACO FUNKI 16,5 ML |
| 3 | 4800008 | 10 PCS BOLT-ON FITTINGS WITH 2 THREAD FOR CAST IRON SLATS |
| 3 | 96967 | 10 PCS BOLT-ON FITTINGS SMALLFOR CAST IRON SLATS |
| 3 | 1900241 | 10 PCS BOLT-ON FITTINGS LARGEFOR CAST IRON SLATS |
| 3 | 17095 | SLAT ANCHOR 8MM GREEN, 10 PIECES |
| 3 | 17129 | SLAT ANCHOR 10 MM GREEN 10 PCS./PACK |

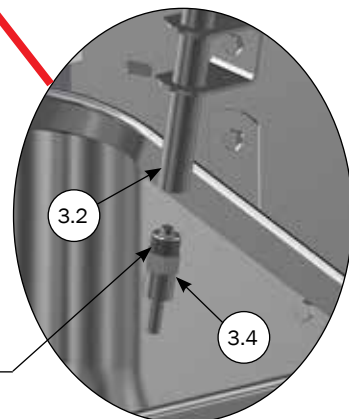
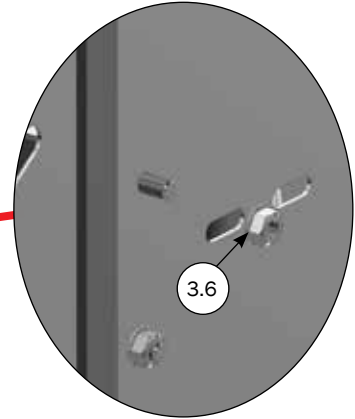
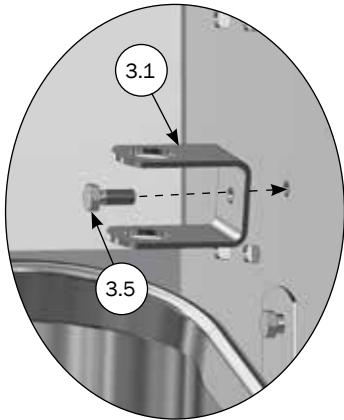
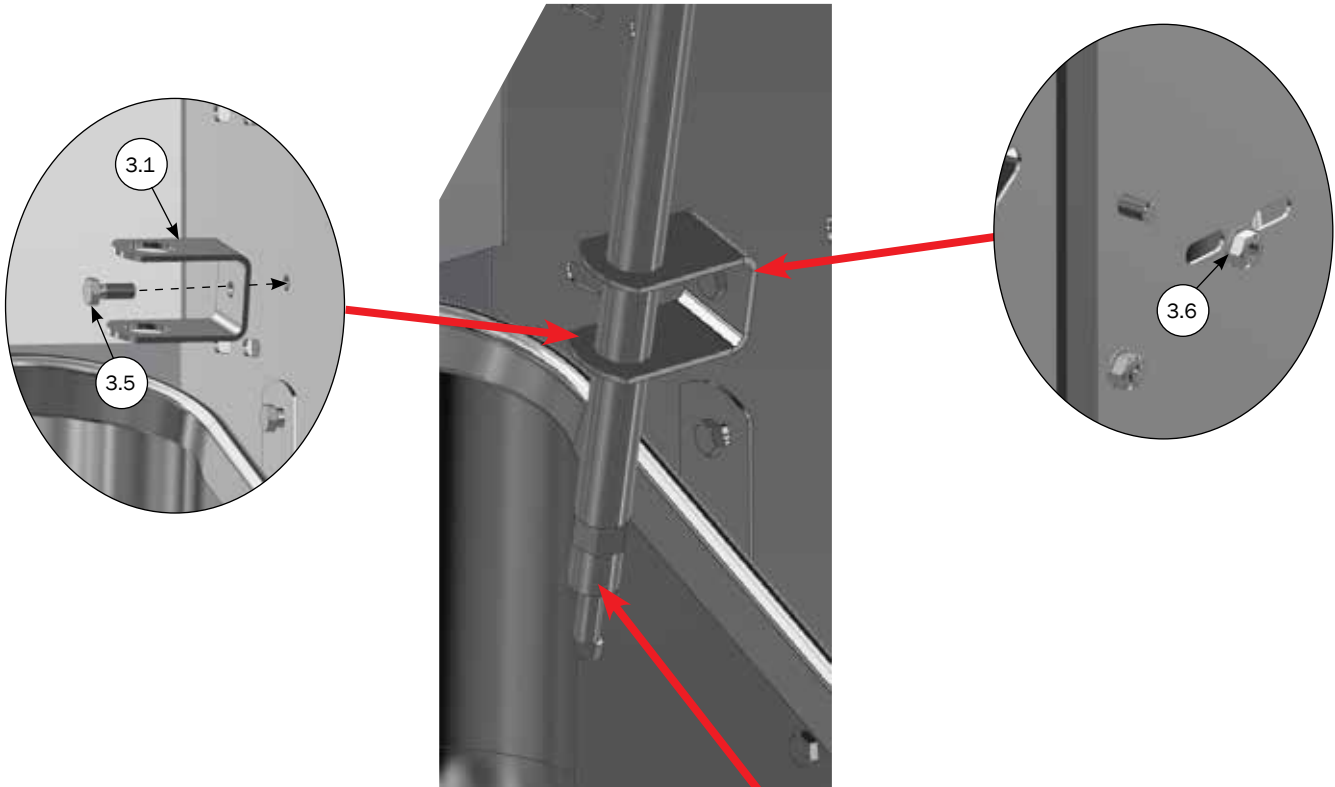
Parts list on water pipe kit for stainless steel water supply



| PARTS LIST | | | |
|------------|------|----------|--|
| No | PCS. | ITEM No. | DESCRIPTION |
| 1 | | 2700135 | WATER PIPE KIT FOR TILT TROUGH STAINLESS STEEL |
| 3.1 | 1 | 20005 | WATER PIPE BRACKET ½ FOR SOWTROUGH |
| 3.2 | 1 | 94014 | 23 MM PIPE SS 26,5 CM THREAD-THREAD FEMA |
| 3.3 | 1 | 93205 | DRILL CLAMP 1 - 1/2" MALE THRED COMPLET |
| 3.4 | 1 | 93280 | PRESS NIPPLE SOWS 13 L ½" EXTERNAL THREAD |
| 3.5 | 2 | 30308020 | SET SCREW M8X20 A2 DIN 933 |
| 3.6 | 2 | 68552 | M8 FLANGE NUT DIN 6923 A2 |

Mounting of bracket and press nipple

○ For parts list look at page 16



Sealings

Use thread tape or liquid sealings.

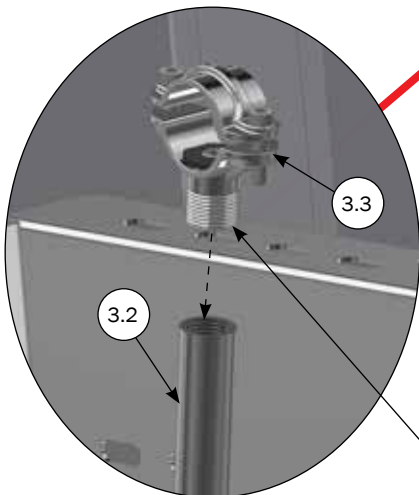
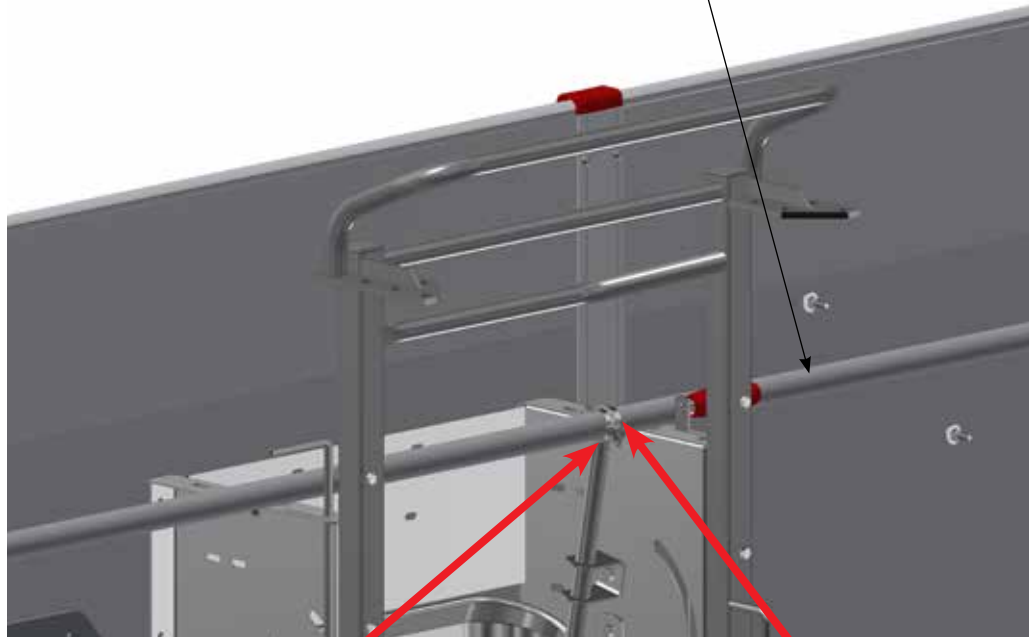


| SEALINGS | |
|----------|----------------------------|
| ITEM No. | DESCRIPTION |
| 29100001 | THREAD TAPE 1 ROLL = 10 M |
| 18984 | LIQUID SEALING 100 ML TUBE |

Mounting of drill clamp and water pipe

○ For parts list look at page 16

Water pipe "1900250" is customized on site.

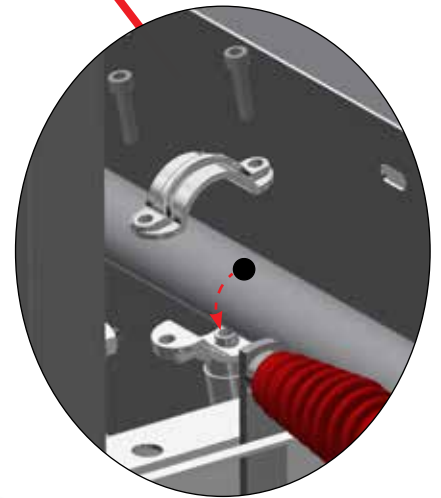


Sealings

Use thread tape or liquid sealings.



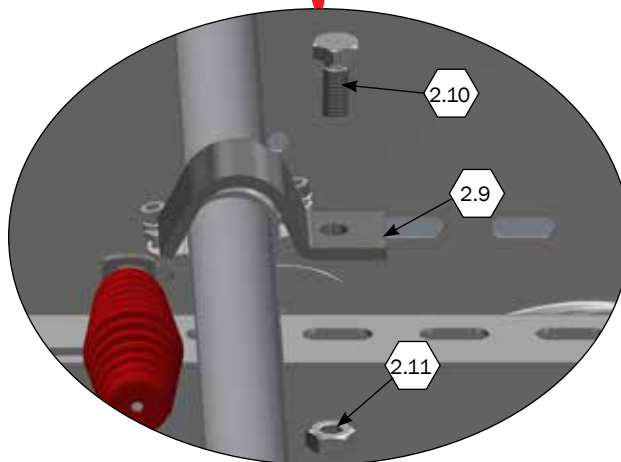
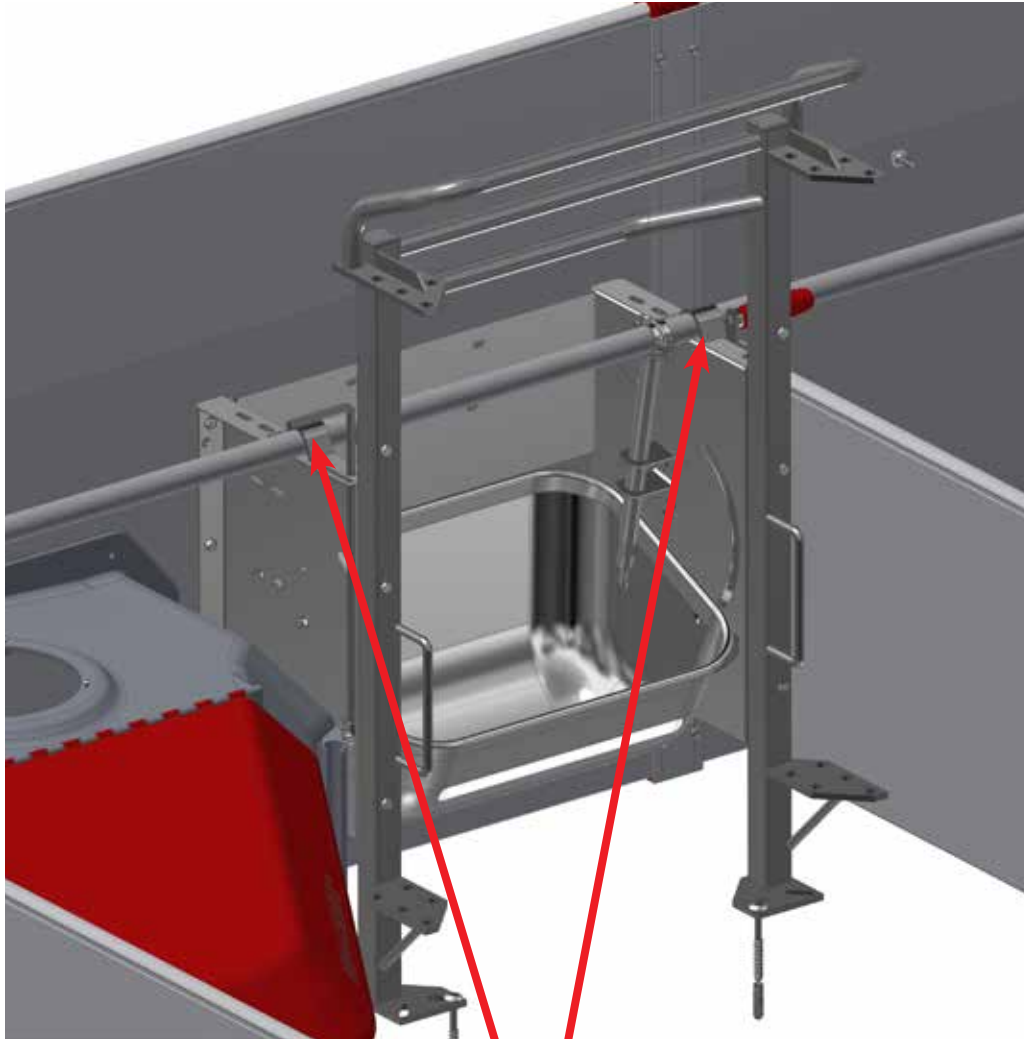
Ø 10MM



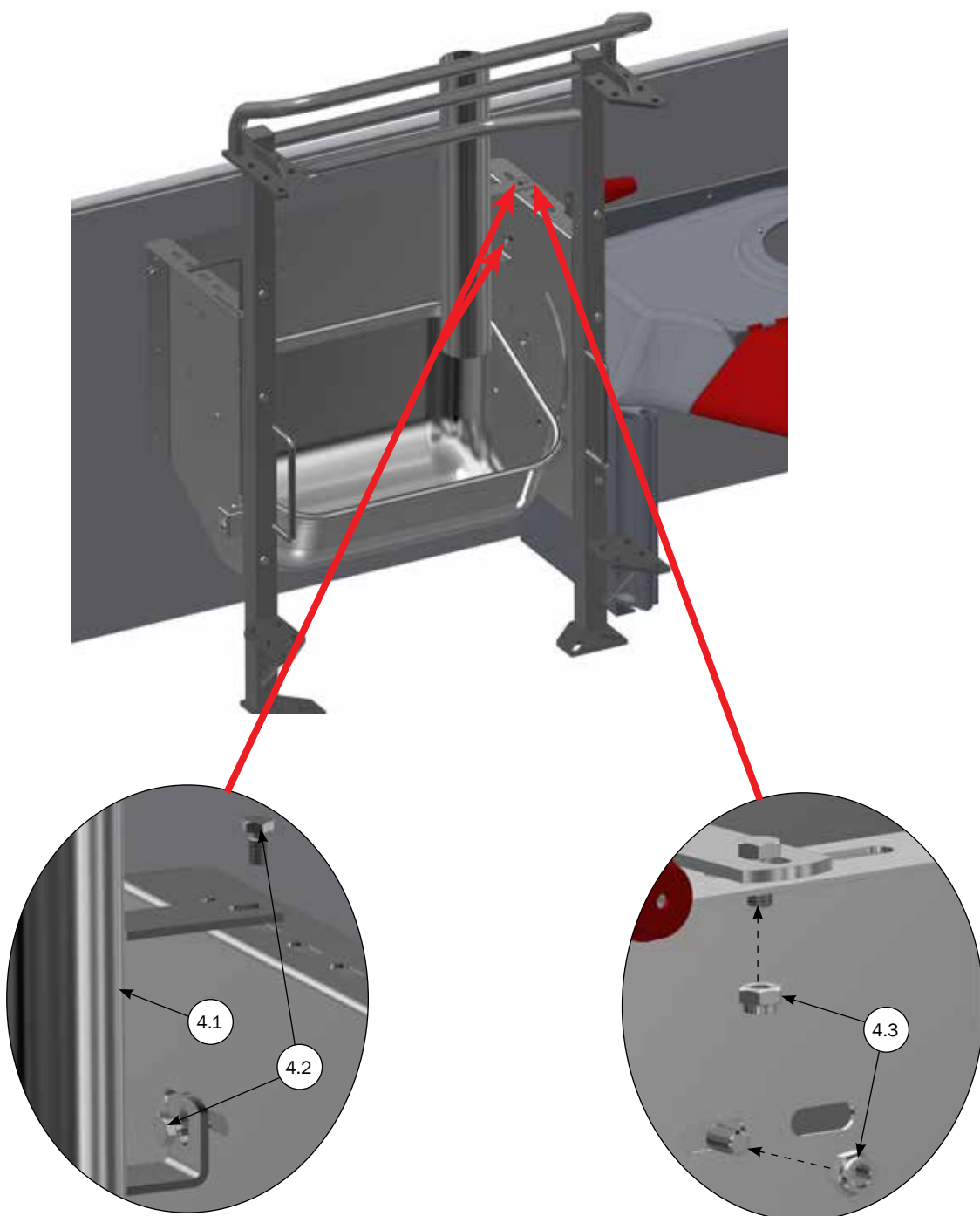
| SEALINGS | |
|----------|----------------------------|
| ITEM No. | DESCRIPTION |
| 29100001 | THREAD TAPE 1 ROLL = 10 M |
| 18984 | LIQUID SEALING 100 ML TUBE |

Mounting of pipe retainer

⬡ For parts list look at page 5

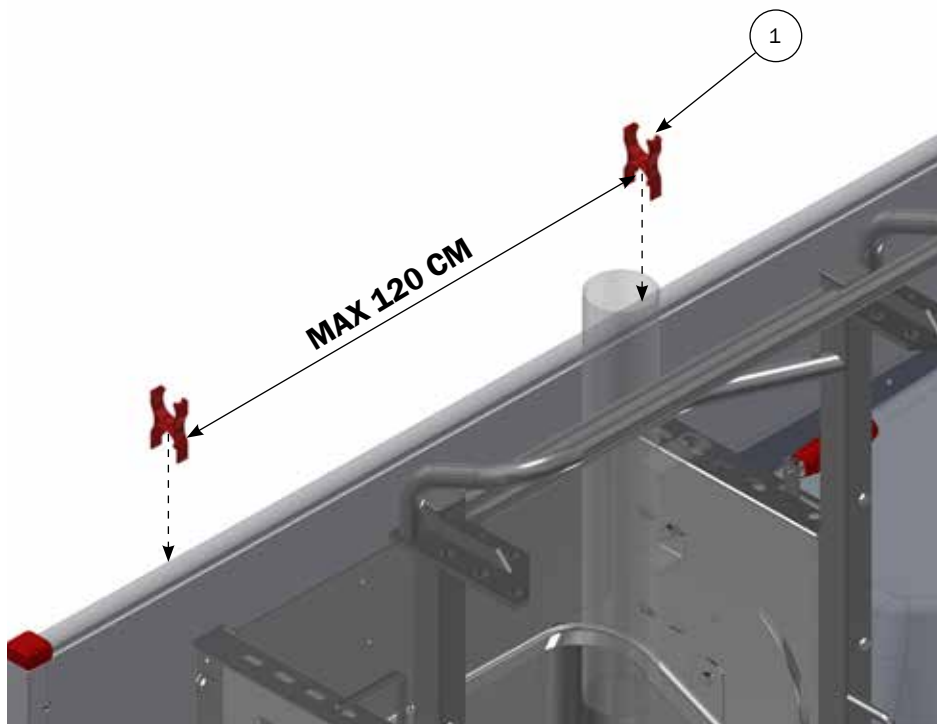
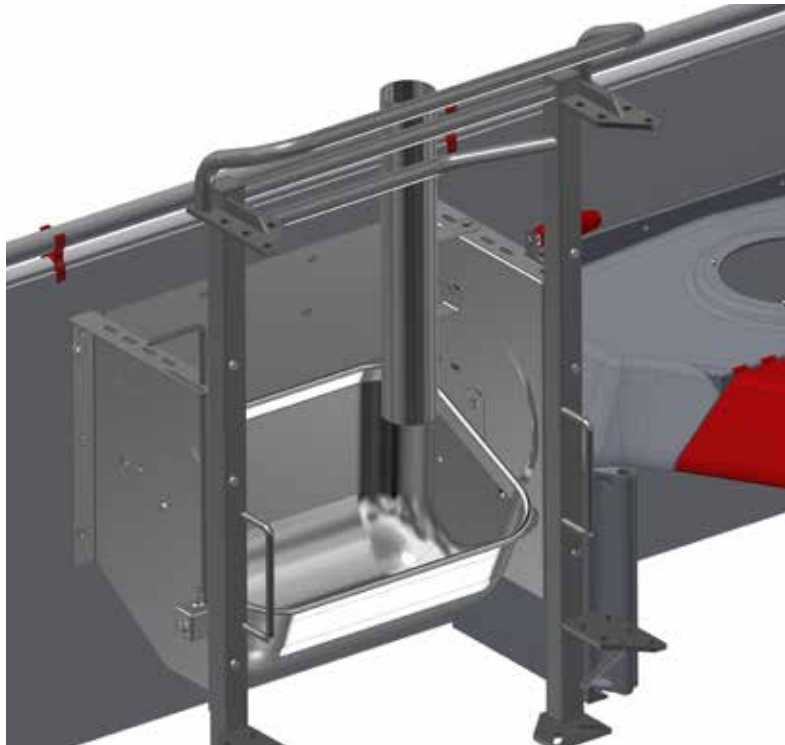


Mounting of down pipe on tilt trough



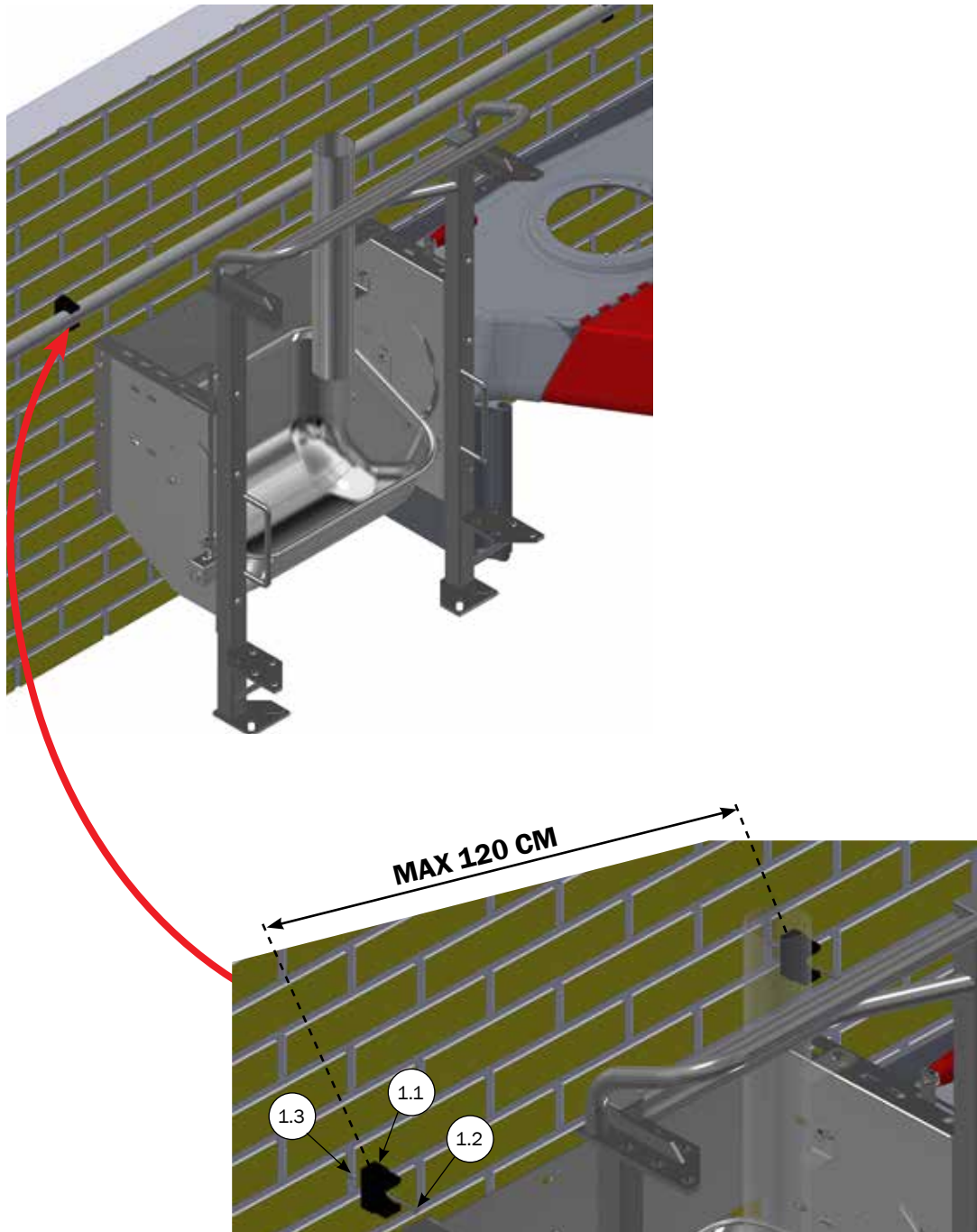
| PARTS LIST | | | |
|------------|------|----------|---|
| No | PCS. | ITEM No. | DESCRIPTION |
| 4 | | 2900605 | PROTECTION PIPE FOR MOVING FLOOR, STAINLESS STEEL |
| 4.1 | 1 | 2950605 | STAINLESS STEEL DOWN PIPE FOR TILT TROUGH ON MOVING FLOOR |
| 4.2 | 2 | 30308016 | SET SCREW M8X16 A2 DIN 933 |
| 4.3 | 2 | 33908001 | LOCK NUT M8 A2 DIN 985 |

Mounting of pvc water pipes on board profile



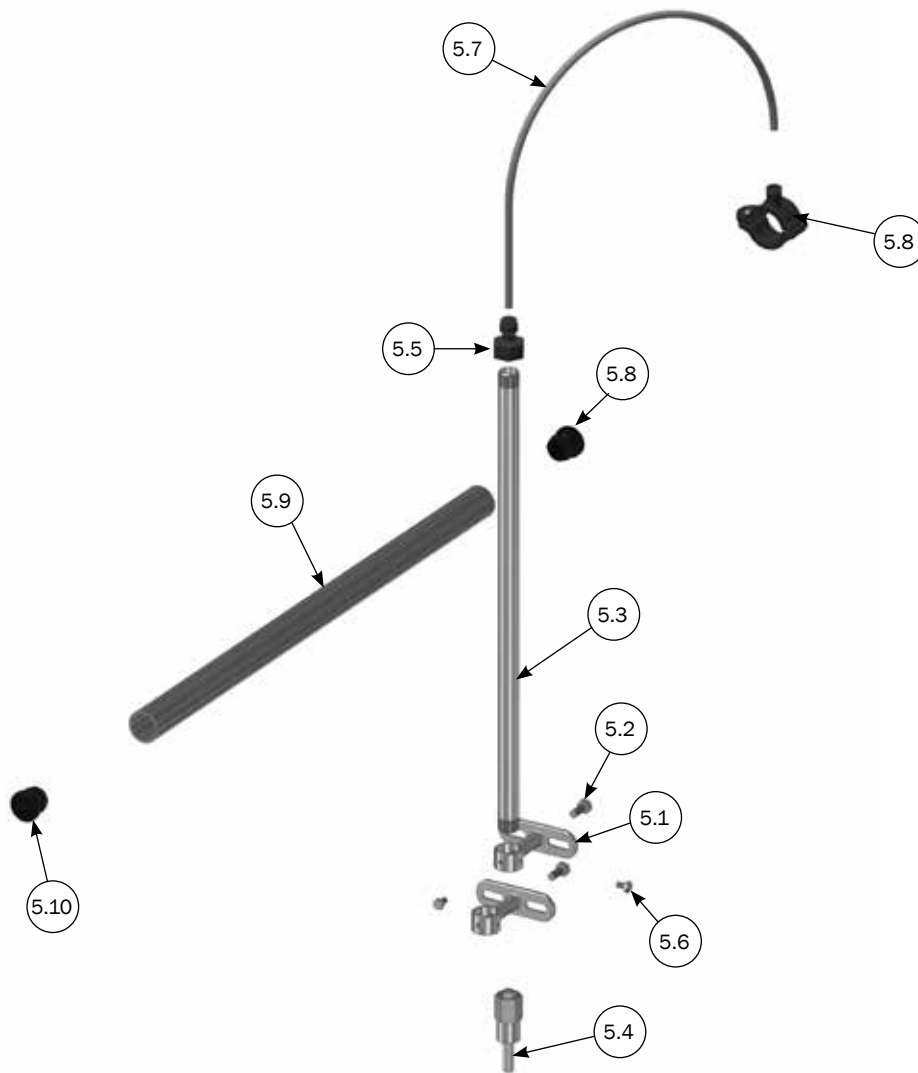
| PARTS LIST | | |
|------------|----------|---------------------------------------|
| No | ITEM No. | DESCRIPTION |
| 1 | 8500532 | WATER PIPE HOLDER FOR 32 MM PVC PIPES |

Mounting of pvc water pipes on wall



| PARTS LIST | | | |
|------------|------|----------|---|
| No | PCS. | ITEM No. | DESCRIPTION |
| 1 | | 3900084 | PIPE FITTINGS KIT FOR Ø32MM PVC-TUBE AGAINST WALL |
| 1.1 | 1 | 23900387 | PIPE HANGER WITH FASTENING BRACKET Ø32MM |
| 1.2 | 1 | 25000039 | CHIPBOARD SCREW 5X50 US-SLOTORX A2 |
| 1.3 | 1 | 9961004 | DOWEL 6X30MM |

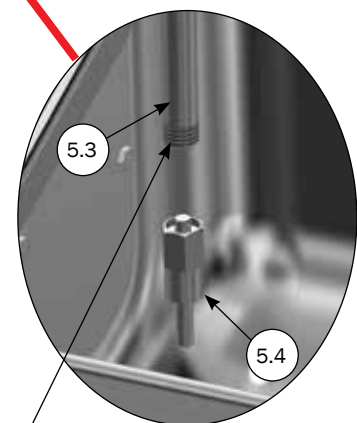
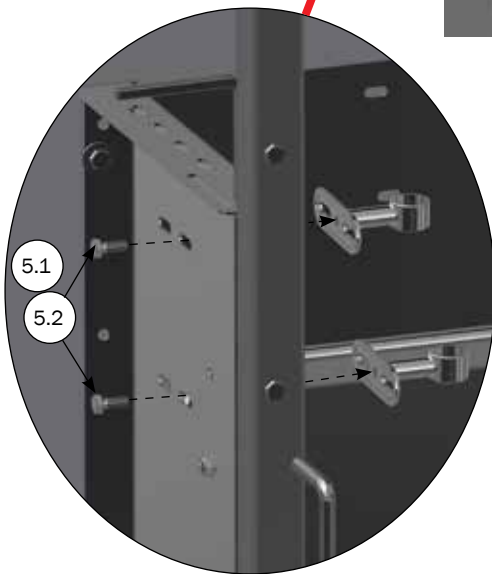
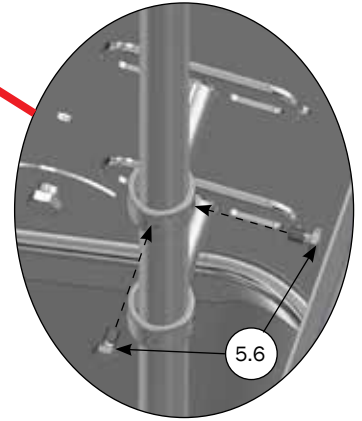
Parts list on water pipe kit for pvc water supply



| PARTS LIST | | | |
|------------|------|----------|---|
| No | PCS. | ITEM No. | DESCRIPTION |
| 5 | | 2700155 | WATER PIPE KIT FOR TILT TROUGH |
| 5.1 | 2 | 2950521 | WATER PIPE MOUNTING ½' STAINLESS WITH THREAD |
| 5.2 | 2 | 30308020 | SET SCREW M8X20 A2 DIN 933 |
| 5.3 | 1 | 06902110 | NIPPLE 1/2' STAINL. THREADED IN BOTH ENDS, 495 MM |
| 5.4 | 1 | 9900047 | PRESS NIPPLE ½' SS TYPE 17, INTERNAL THREAD LARGE AMOUNT OF WATER |
| 5.5 | 1 | 61148 | SPEED UNION 8 MM MUFF/FEMALE THREAD |
| 5.6 | 2 | 30306010 | SET SCREW M6X10 ST DIN 933 A2 |
| 5.7 | 1 | 61015 | HOSE 8 MM PE 90 CM |
| 5.8 | 1 | 61195 | DRILL CLAMP PVC 10MM-32/33,7 MM |
| 5.9 | 1 | 8140005 | PEN FRONT BARS FOR FARROWING RAIL, WET FEEDING |
| 5.10 | 2 | 9960006 | ROUND CAP BLACK (1' PIPE) |

Mounting of bracket, nipple pipe and press nipple for pvc water supply

○ For parts list look at page 23



Sealings

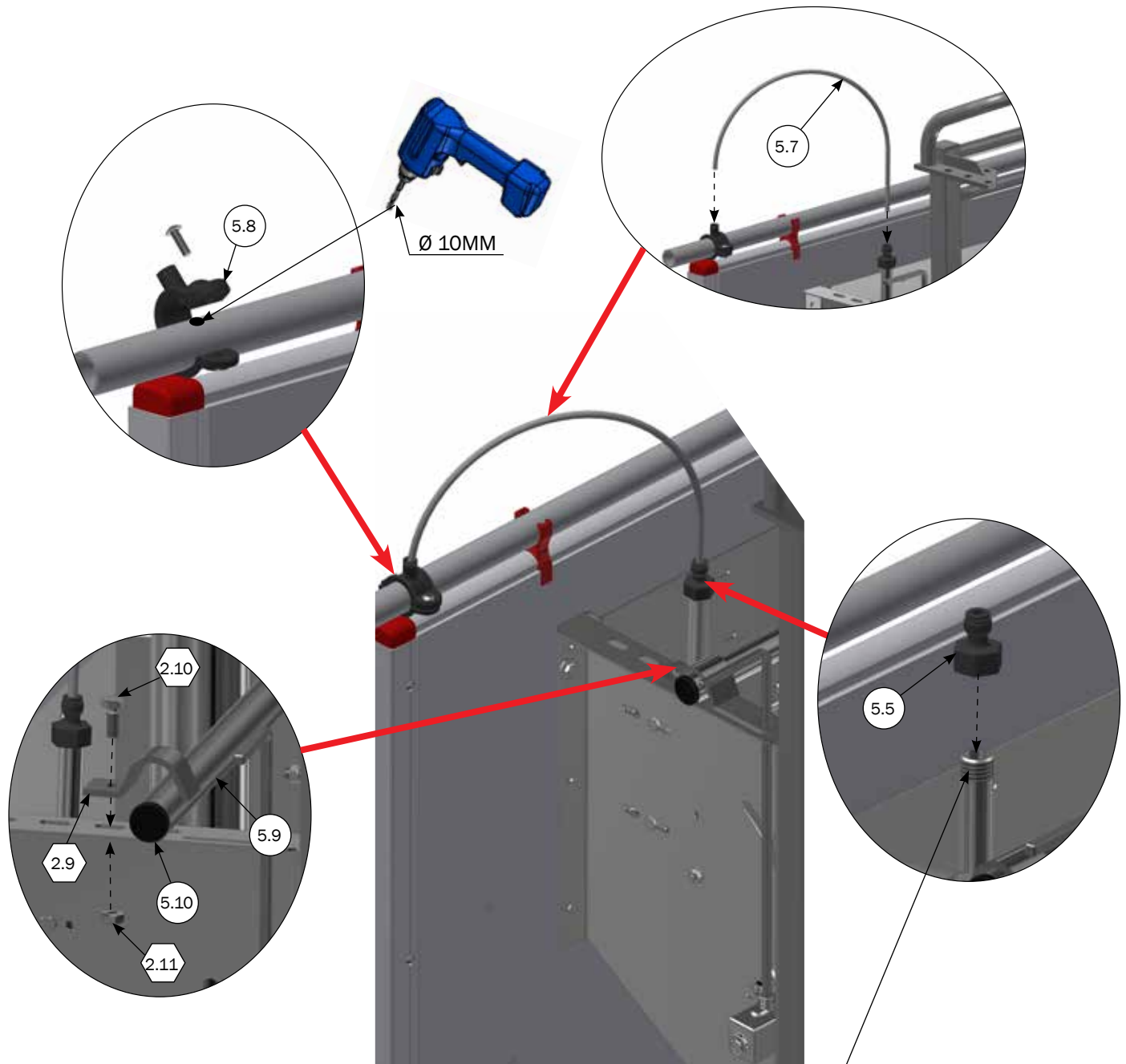
Use thread tape or liquid sealings.



| SEALINGS | |
|----------|----------------------------|
| ITEM No. | DESCRIPTION |
| 29100001 | THREAD TAPE 1 ROLL = 10 M |
| 18984 | LIQUID SEALING 100 ML TUBE |

Mounting of drill clamp on pvc water pipe

- ⬡ For parts list look at page 5
- For parts list look at page 23



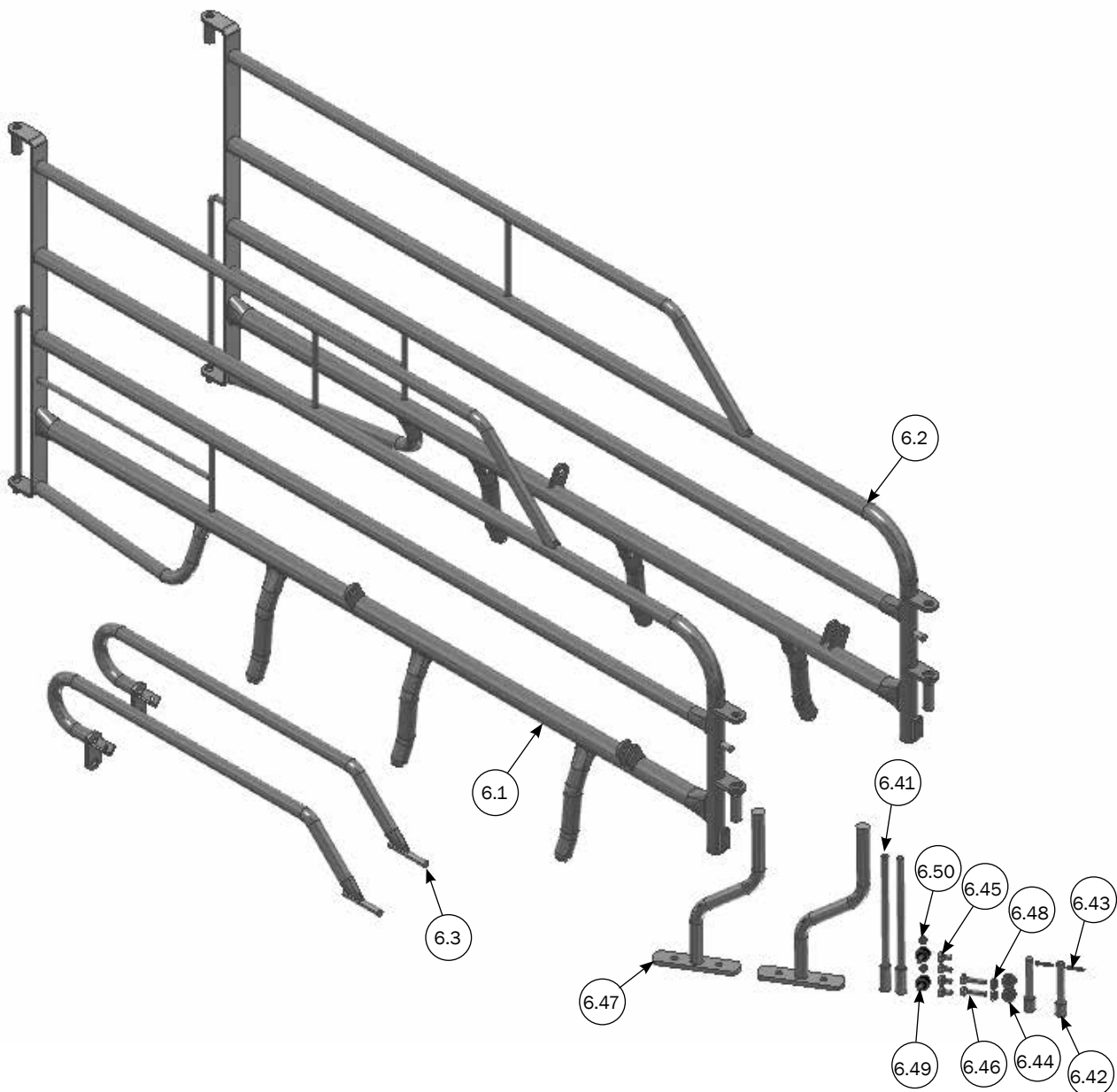
Sealings

Use thread tape or liquid sealings.



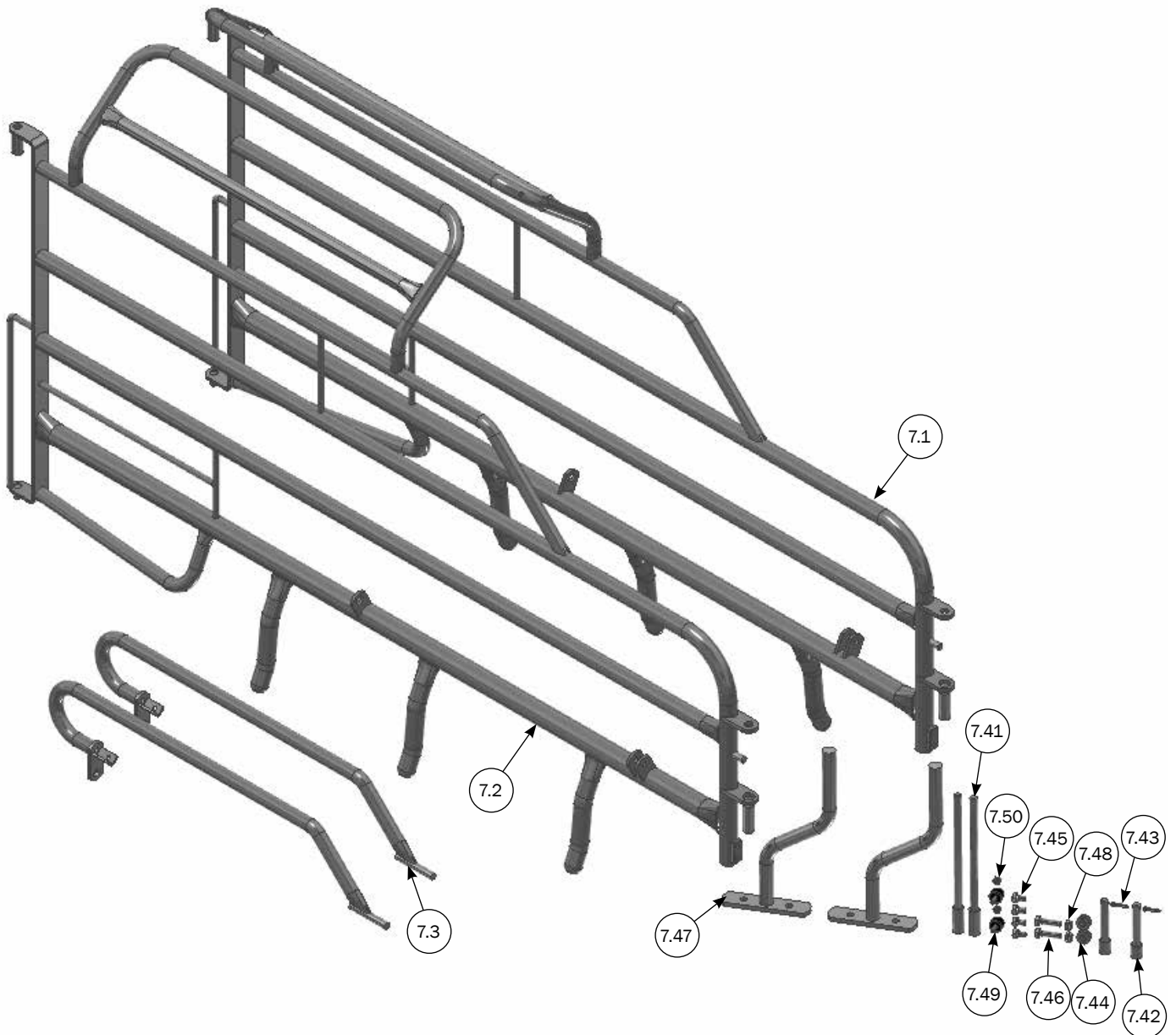
| SEALINGS | |
|----------|----------------------------|
| ITEM No. | DESCRIPTION |
| 29100001 | THREAD TAPE 1 ROLL = 10 M |
| 18984 | LIQUID SEALING 100 ML TUBE |

Parts list on farrowing partition xl



| PARTS LIST | | | |
|------------|------|----------|---|
| No | PCS. | ITEM No. | DESCRIPTION |
| | | 2700320 | FARROWING PARTITION XL STANDARD WITH TILT FENDER |
| | | 42320HG | SIDE FARROWING CRATE XL 2009 RIGHT |
| | | 42321HG | SIDE FARROWING CRATE XL 2009 LEFT |
| 6 | 1 | 2700325 | FARROWING PARTITION XL SHORT WITH TILT FENDER |
| 6.1 | 1 | 42326HG | FARROWING PARTITION XL SHORT LEFT WITH OUT TILT FENDER |
| 6.2 | 1 | 42325HG | FARROWING PARTITION XL SHORT RIGHT WITH OUT TILT FENDER |
| 6.3 | 2 | 2720136 | TILTING BOW FARROWING BOX XL |
| 6.4 | 1 | 42386 | ACCESSORIES FARROWING CRATE 2009 1 PCS |
| 6.41 | 2 | 42341 | PEG FOR GATE, FARROWING CRATE XL |
| 6.42 | 2 | 42249 | PIN FOR MOVEABLE SIDE 14 MM FARROWING XL 2009 |
| 6.43 | 2 | 35900095 | SPLIT 4X40 A2 DIN 94 |
| 6.44 | 2 | 42229 | BUSHING FOR FENDER FARROWING CRATE |
| 6.45 | 4 | 30310016 | SET SCREW M10X16 A2 DIN 933 |
| 6.46 | 2 | 30310040 | SET SCREW M10X40 A2 DIN 933 |
| 6.47 | 2 | 42345 | SUPPORTING LEG FARROWING BOXS |
| 6.48 | 2 | 33900029 | LOCK NUT M10 A2 DIN 985 |
| 6.49 | 2 | 58158 | RUBBERSTOP M8 X 16 |
| 6.50 | 2 | 33908001 | LOCK NUT M8 A2 DIN 985 |

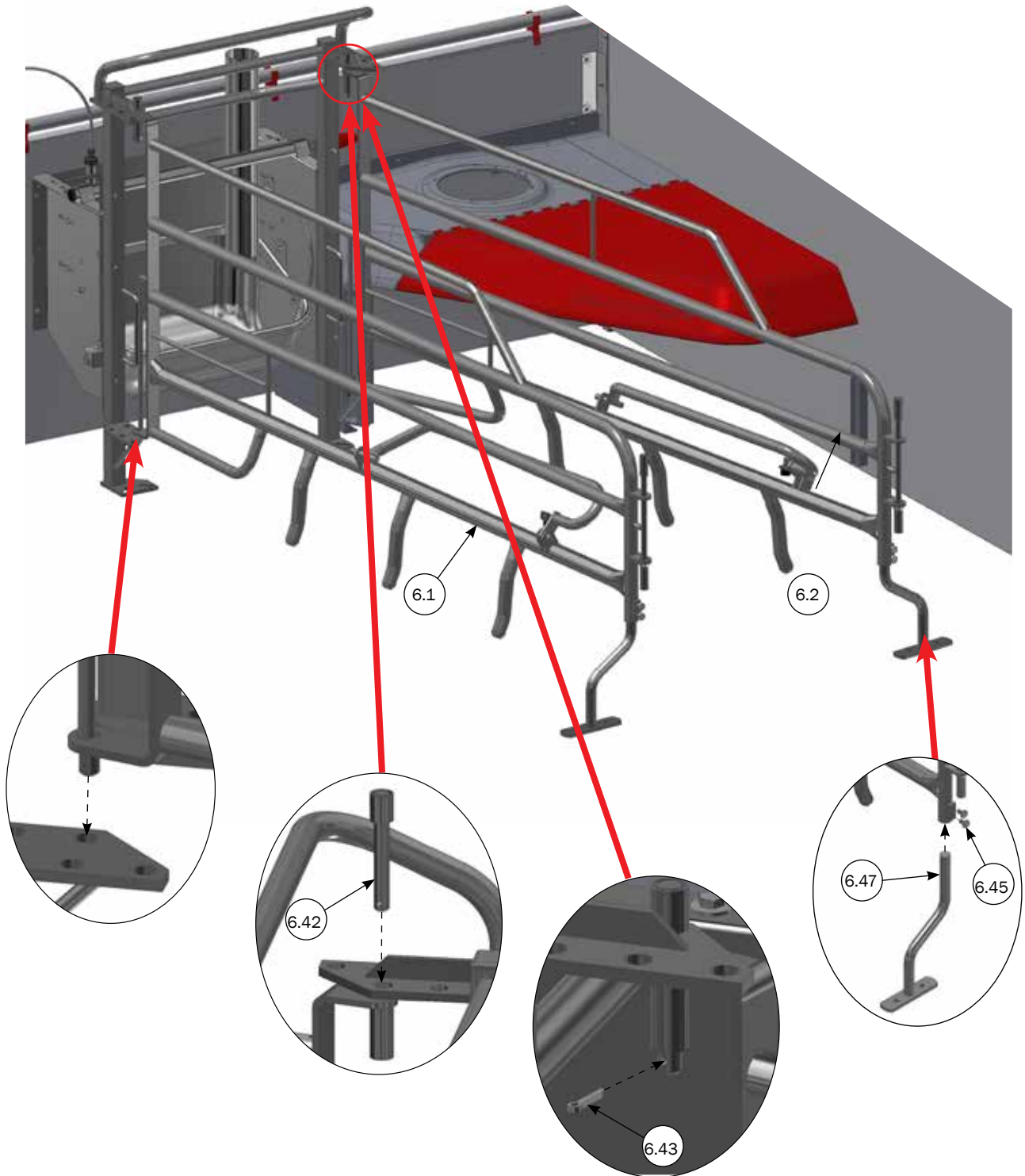
Parts list on farrowing partition xl export



| PARTS LIST | | | |
|------------|------|----------|---|
| No | PCS. | ITEM No. | DESCRIPTION |
| | | 2700302 | FARROWING PARTITION XL STANDARD WITH TILT FENDER EXPORT |
| | | 2720302 | FARROWING PARTITION RIGHT XL EXPORT |
| | | 2720301 | FARROWING PARTITION LEFT XL EXPORT |
| 7 | 1 | 2700300 | FARROWING PARTITION XL SHORT WITH TILT FENDER EXPORT |
| 7.1 | 1 | 2720300 | FARROWING PARTITION RIGHT SHORT EXPORT |
| 7.2 | 1 | 2720299 | FARROWING PARTITION LEFT SHORT EXPORT |
| 7.3 | 2 | 2720136 | TILTING BOW FARROWING BOX XL |
| 7.4 | 1 | 42386 | ACCESSORIES FARROWING CRATE 2009 1 PCS |
| 7.41 | 2 | 42341 | PEG FOR GATE, FARROWINGCRATE XL |
| 7.42 | 2 | 42249 | PIN FOR MOVEABLE SIDE 14 MM FARROWING XL 2009 |
| 7.43 | 2 | 35900095 | SPLIT 4X40 A2 DIN 94 |
| 7.44 | 2 | 42229 | BUSHING FOR FENDER FARROWING CRATE |
| 7.45 | 4 | 30310016 | SET SCREW M10X16 A2 DIN 933 |
| 7.46 | 2 | 30310040 | SET SCREW M10X40 A2 DIN 933 |
| 7.47 | 2 | 42345 | SUPPORTING LEG FARROWING BOXS |
| 7.48 | 2 | 33900029 | LOCK NUT M10 A2 DIN 985 |
| 7.49 | 2 | 58158 | RUBBERSTOP M8 X 16 |
| 7.50 | 2 | 33908001 | LOCK NUT M8 A2 DIN 985 |

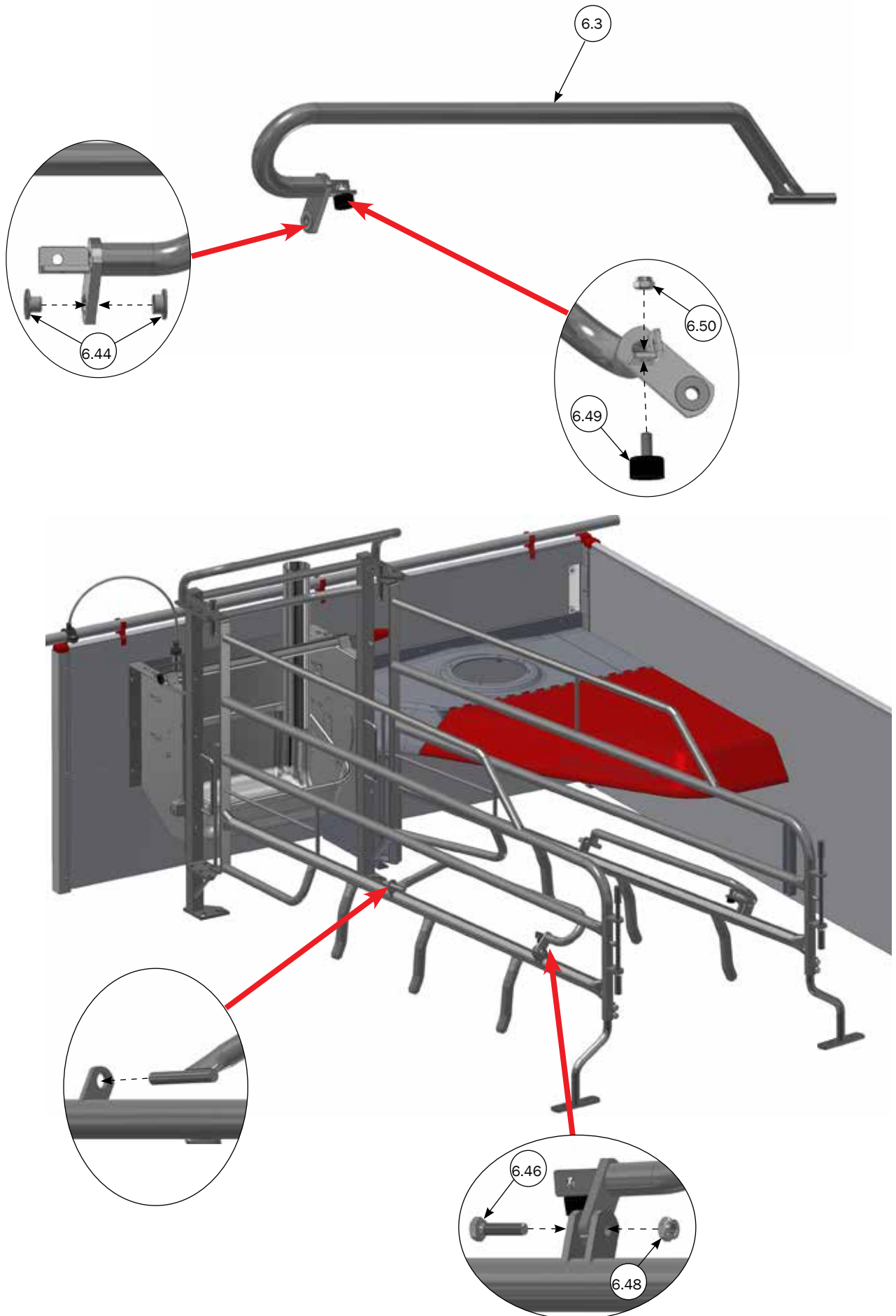
Mounting of farrowing partition on farrowing rail

○ For parts list look at page 26

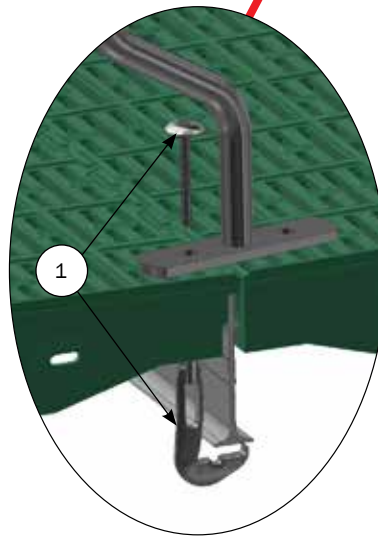
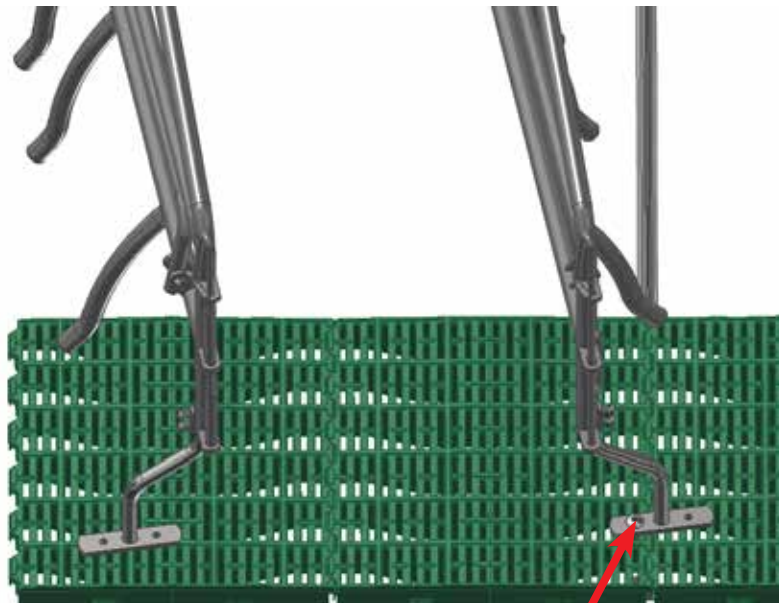


Mounting of tilting bow on farrowing partition

○ For parts list look at page 26



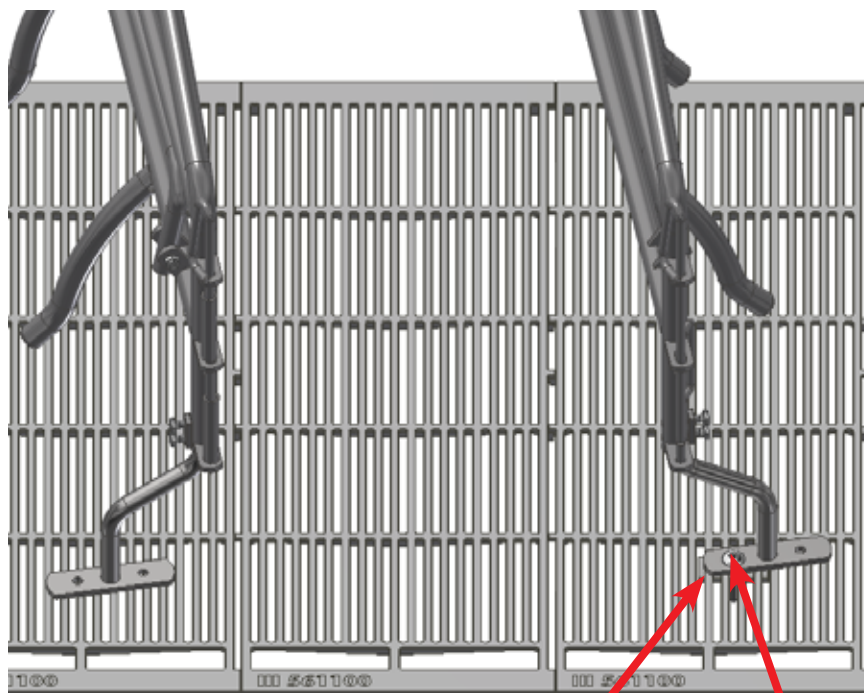
Mounting of farrowing partition in combi floor



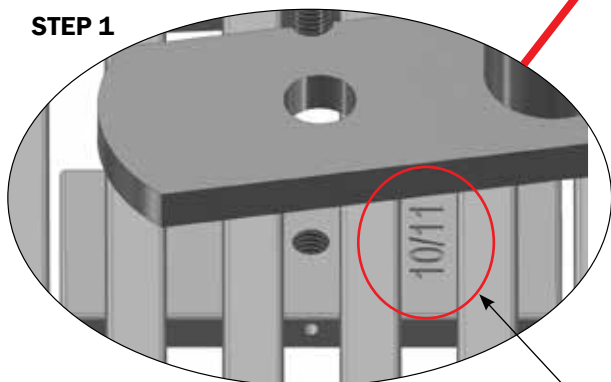
Only 1 farrowing partition is mounted in the floor

| PARTS LIST | | |
|------------|----------|---------------------------------------|
| No | ITEM No. | DESCRIPTION |
| 1 | 4800025 | 10 PIECE ANCHOR SET M8 80-115MM |
| 1 | 4800030 | 10 PIECE ANCHOR SET M8 100-145 MM |
| 1 | 4800035 | 10 PIECE ANCHOR SET M8 130-160 MM |
| 1 | 4800040 | 10 PIECE ANCHOR SET M8 100-130 MM |
| 1 | 4800045 | 10 PIECE ANCHOR SET M8 120-150 MM |
| 1 | 4800050 | 10 PIECE ANCHOR SET M8 150-180 MM |
| 1 | 29100067 | THREAD GLUE STRONG, ACO FUNKI 16,5 ML |

Mounting of bolt-on fittings in cast iron slats

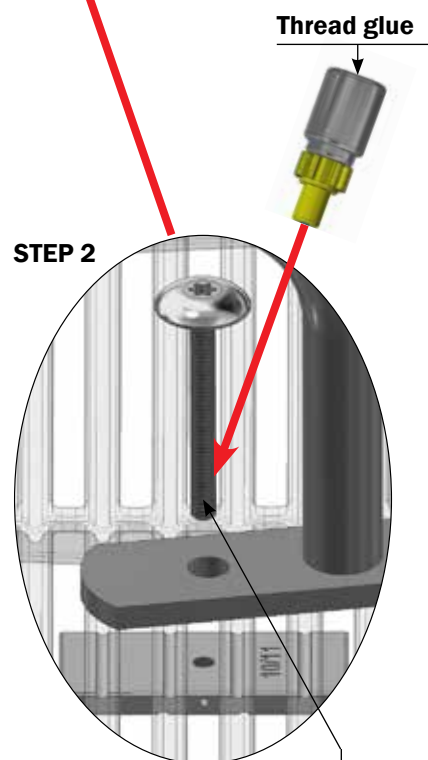


STEP 1



Bolt-on fitting is placed correct if 10/11 iron slats and the marking 10/11 on the bracket is turned up against the slats, and the same for 12/ 13 iron slats.

STEP 2

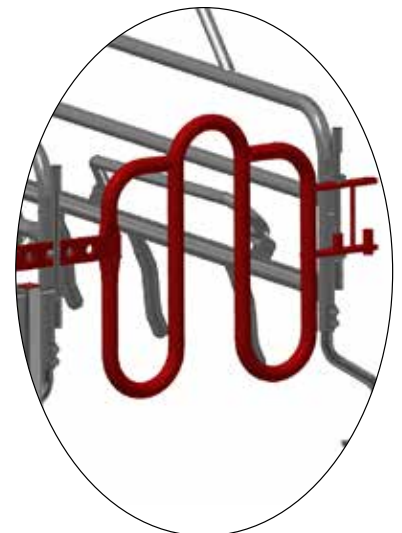
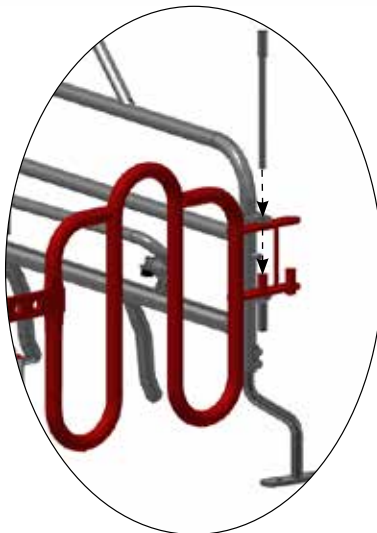
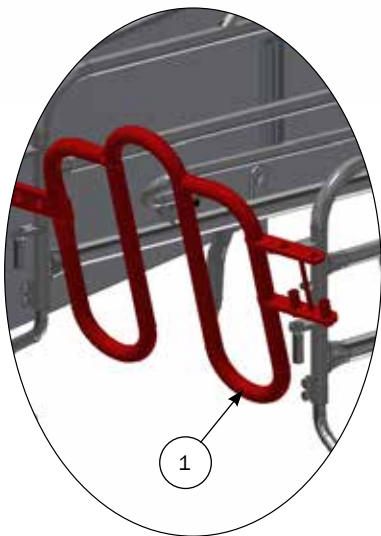


Thread glue **item no. 29100067 must** be applied the screw when mounting the screw in the bolt-on fitting, and the screw **must** also be tightened afterwards with a nut buckles.
Function hardening, 3 hours, through hardening 8 hours.

PARTS LIST

| No | ITEM No. | DESCRIPTION |
|----|----------|---|
| 1 | 1900241 | 10 PCS BOLT-ON FITTINGS LARGE FOR CAST IRON SLATS |
| 1 | 4800008 | 10 PCS BOLT-ON FITTINGS WITH 2 THREAD FOR CAST IRON SLATS |
| 2 | 29100067 | THREAD GLUE STRONG, ACO FUNKI 16,5 ML |

Mounting of rear gate on farrowing partition



PARTS LIST

| No | ITEM No. | DESCRIPTION |
|----|----------|---|
| 1 | 42335RD | REARGATE FOR FARROWING BOX XL RED, REVERSIBLE |
| 2 | 2720144 | REARGATE FARROWING BOX XL GALV, REVERSIBLE |