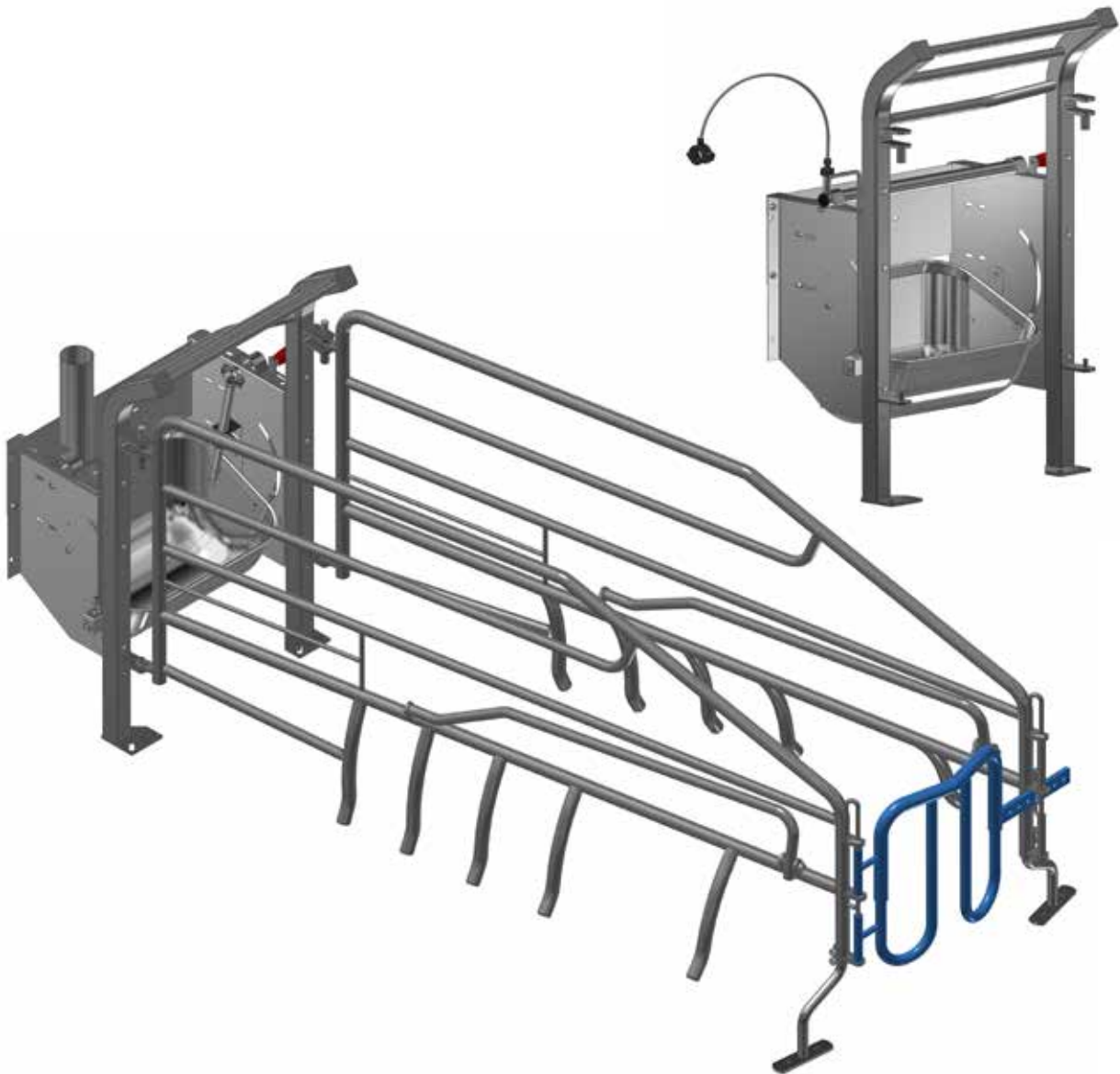


# MOUNTING INSTRUCTION



## FUNKI FARROWING with tilt trough



**ACO FUNKI A/S**  
Kirkevænget 5  
DK-7400 Herning

Tel. +45 9711 9600  
Fax +45 9711 9677  
[www.acofunki.com](http://www.acofunki.com)

**DANISH DESIGN | GERMAN QUALITY | GLOBAL EXPERIENCE**

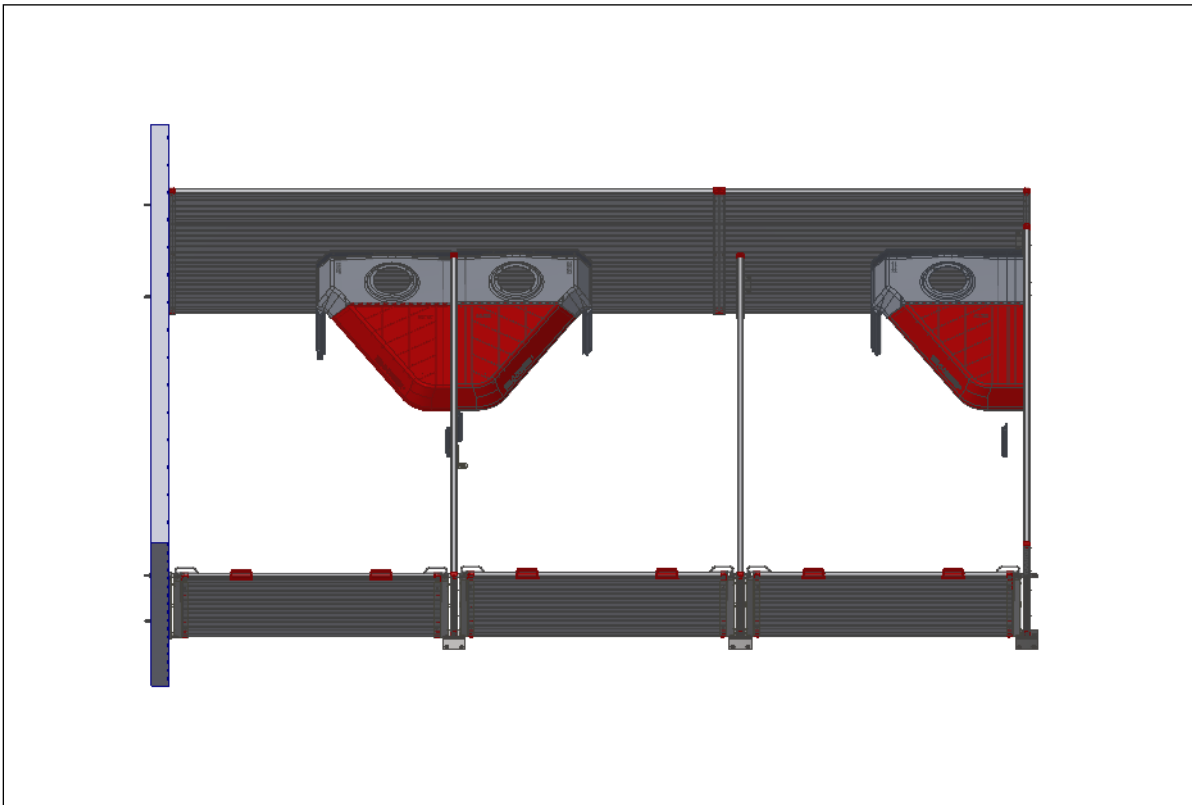
# Table of Content

Funki Farrowing with tilt trough .....	3
Farrowing rail with tilt trough .....	4 - 9
Farrowing rail mounted in combi floor .....	15
Water supply kit, stainless steel .....	16 - 19
Down pipe on farrowing rail .....	20
Water pipe on board profile or wall .....	21 - 22
Water supply kit, for pvc .....	23 - 25
Farrowing partition with tilting bow .....	26
Farrowing partition for export .....	27
Mounting og farrowing partition .....	28
Farrowing partition in combi floor .....	29
Bolt-on fitting in cast iron slats .....	30
Rear gate on farrowing partition .....	31

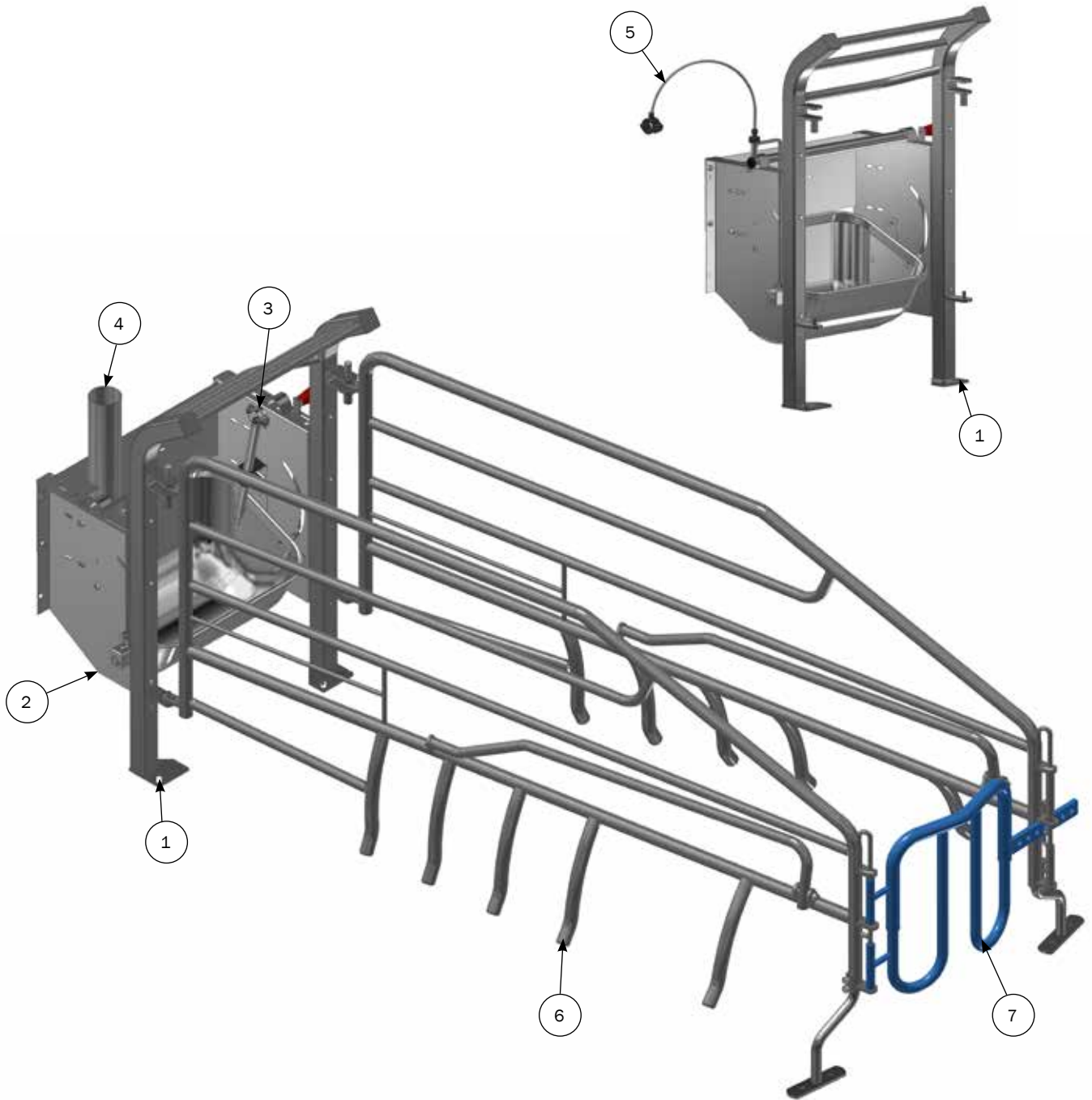
**For mounting of piglet nest, look at : M-6206 and M-6183 comfort - inn-0-corner**

**For mounting of water for weaners, look at : M-6208**

**For mounting of farrowing pen box, look at : M-6204 and M-6205 farrowing pen box**

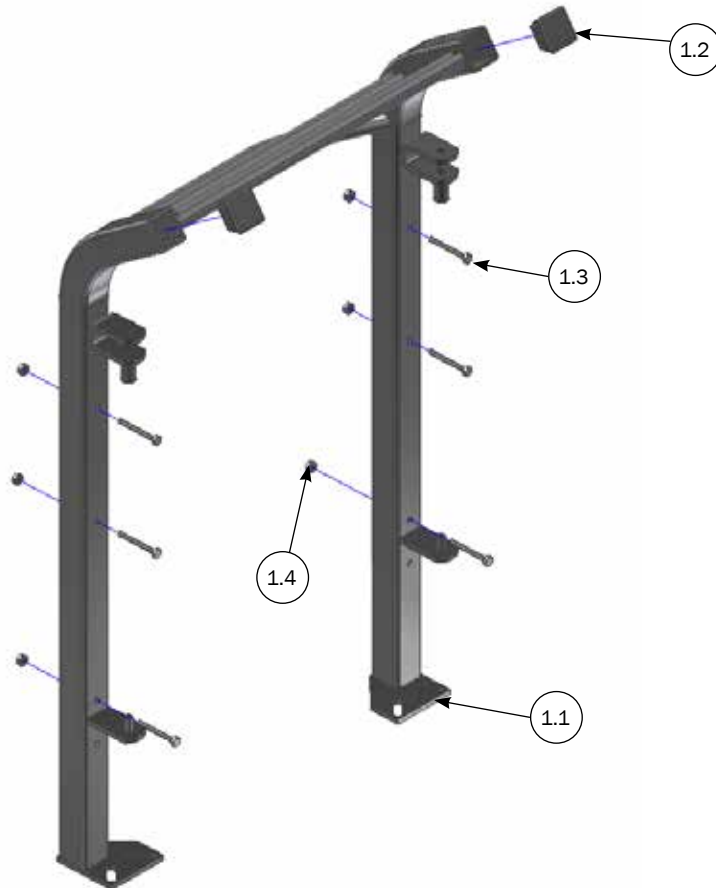


## Parts list on Funki farrowing with tilt trough



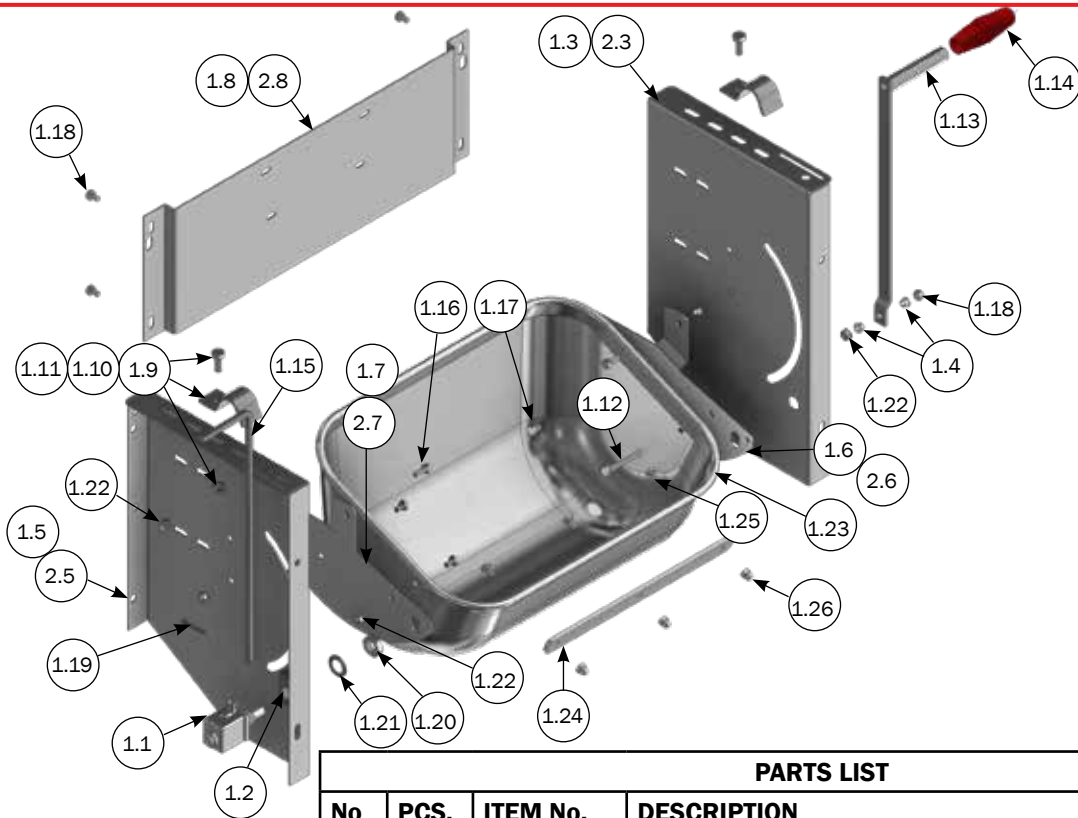
PARTS LIST			
No.	PCS.	ITEM No.	DESCRIPTION
1	1	2100850	FARROWING RAIL F208 WITH OUT FRONTPART
2	1	2100626	TILT TROUGH KIT STAINLESS STEEL
3	1	2700135	WATER PIPE KIT FOR TILT TROUGH STAINLESS STEEL
4	1	2900605	PROTECTION PIPE FOR MOVING FLOOR, STAINLESS STEEL
5	1	2700155	WATER PIPE KIT FOR TILT TROUGH
6	1	2100563	FARROWING PARTITION F207 WITH TILT FENDER
7	1	2116510	REAR GATE MODEL SOFT 3/4', RIGHT-OPENED

## Parts list on farrowing rail



PARTS LIST			
No.	PCS.	ITEM No.	DESCRIPTION
1	1	2100850	FARROWING RAIL F208 WITHOUT FRONTPART
1.1	1	2120850	FARROWING RAIL F208
1.2	2	9960005	U-BOLT 1/2'XM8X40 MM STAINLESS STEE
1.3	6	30308065	SET SCREW M8X65 A2 DIN 933
1.4	6	68552	M8 FLANGE NUT DIN 6923 A2

## Parts list on tilt trough

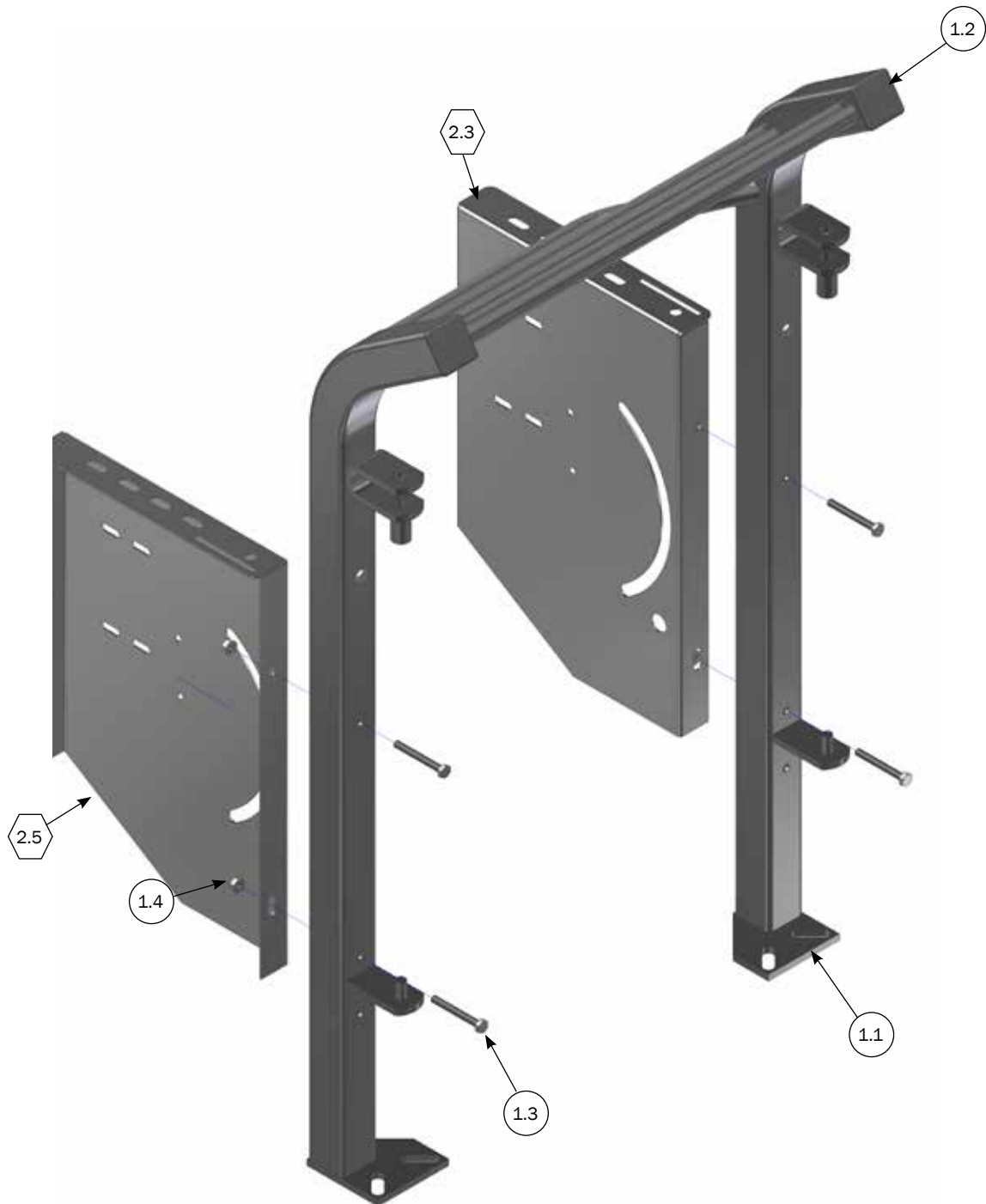


### PARTS LIST

No	PCS.	ITEM No.	DESCRIPTION
1		2700626	TILT TROUGH KIT GALVANIZED
2	1	2100626	TILT TROUGH KIT STAINLESS STEEL
1.1	1	17120	CASE TURN LOCK
1.2	1	17159	DISTANCE BLOCK TURN LOCK
1.3	1	2720626	RIGHT SIDE FOR TILT TROUGH GALVANIZED
2.3	1	2150626	RIGHT SIDE FOR TILT TROUGH STAINLESS STEEL
1.4	4	59523	BUSHING LOCK ENDPARTITION FREE ACCESS BOX
1.5	1	2720627	LEFT SIDE FOR TILT TROUGH GALVANIZED
2.5	1	2150627	LEFT SIDE FOR TILT TROUGH STAINLESS STEEL
1.6	1	2720504	RIGHT HINGE FOR TILT TROUGH GALVANIZED
2.6	1	8440704	RIGHT HINGE FOR TILT TROUGH STAINLESS STEEL
1.7	1	2720505	LEFT HINGE FOR TILT TROUGH GALVANIZED
2.7	1	8440705	LEFT HINGE FOR TILT TROUGH STAINLESS STEEL
1.8	1	2720503	REAR PLATE FOR TILT TROUGH GALVANIZED
2.8	1	8440703	REAR PLATE FOR TILT TROUGH STAINLESS STEEL
1.9	2	16375	PIPE RETAINER 1' WITHOUT BOLT
1.10	2	30310025	SET SCREW M10X25 A2 DIN 933
1.11	2	33510017	NUT M10 A2 DIN 934
1.12	1	30308065	SET SCREW M8X65 A2 DIN 933
1.13	1	2120618	HANDLE FOR TILT TROUGH
1.14	1	1960192	HANDLE FOR PIN FOR GATES
1.15	1	2920621	RELEASE ARM FOR TILT TROUGH
1.16	2	30308020	SET SCREW M8X20 A2 DIN 933
1.17	7	30308012	SET SCREW M8X12 A2 DIN 933
1.18	1	33908001	LOCK NUT M8 A2 DIN 985
1.19	1	35900095	SPLIT 4X40 A2 DIN 94
1.20	1	68593	LOCK NUT A2 20 X 1,5
1.21	1	68763	LOCK WASHER 20 MM DIN 6798A
1.22	11	68552	M8 FLANGE NUT DIN 6923 A2
1.23	1	2950721	TROUGH WITH HOLES FOR SUPPORT BAR
1.24	1	8050246	STAINLESS SUPPORT BAR
1.25	3	30308016	SET SCREW M8X16 A2 DIN 933
1.26	3	33208001	CAP NUT M8 A2 DIN 1587

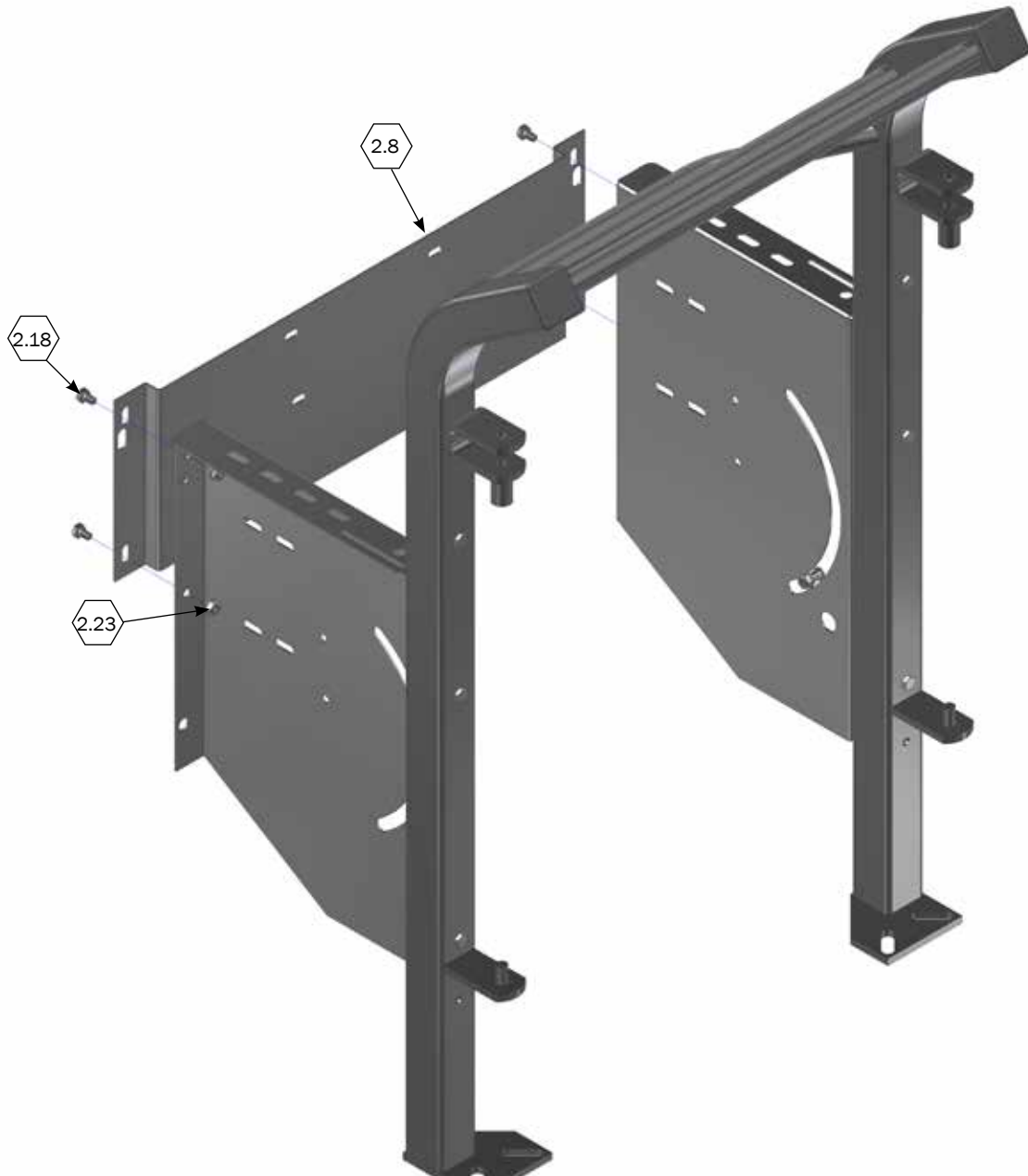
## Mounting of bracket on farrowing rail

- For parts list look at page 4
- ⬡ For parts list look at page 5



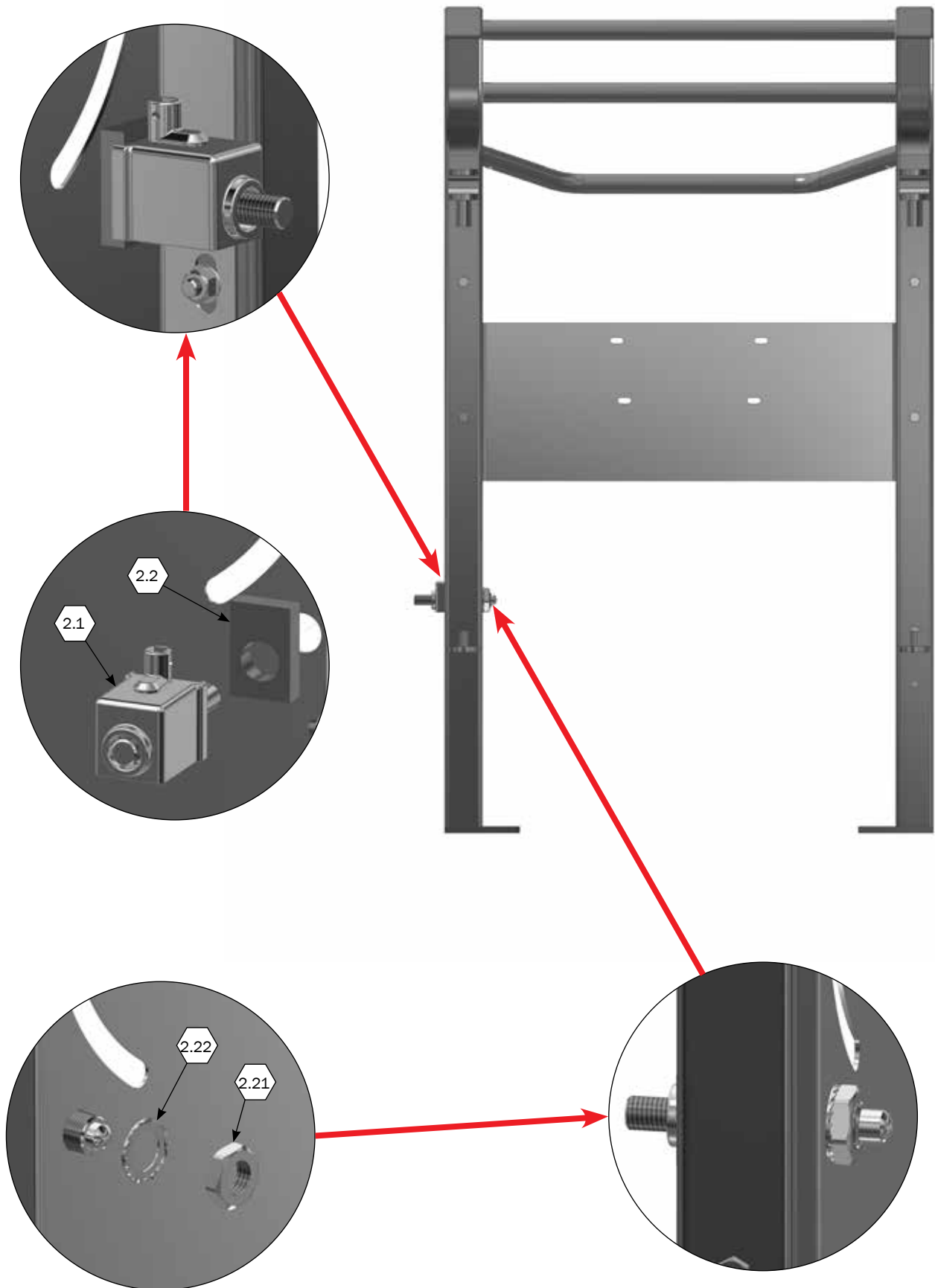
## Mounting of back plate for moving floor

⬡ For parts list look at page 5



## Mounting of case turn lock

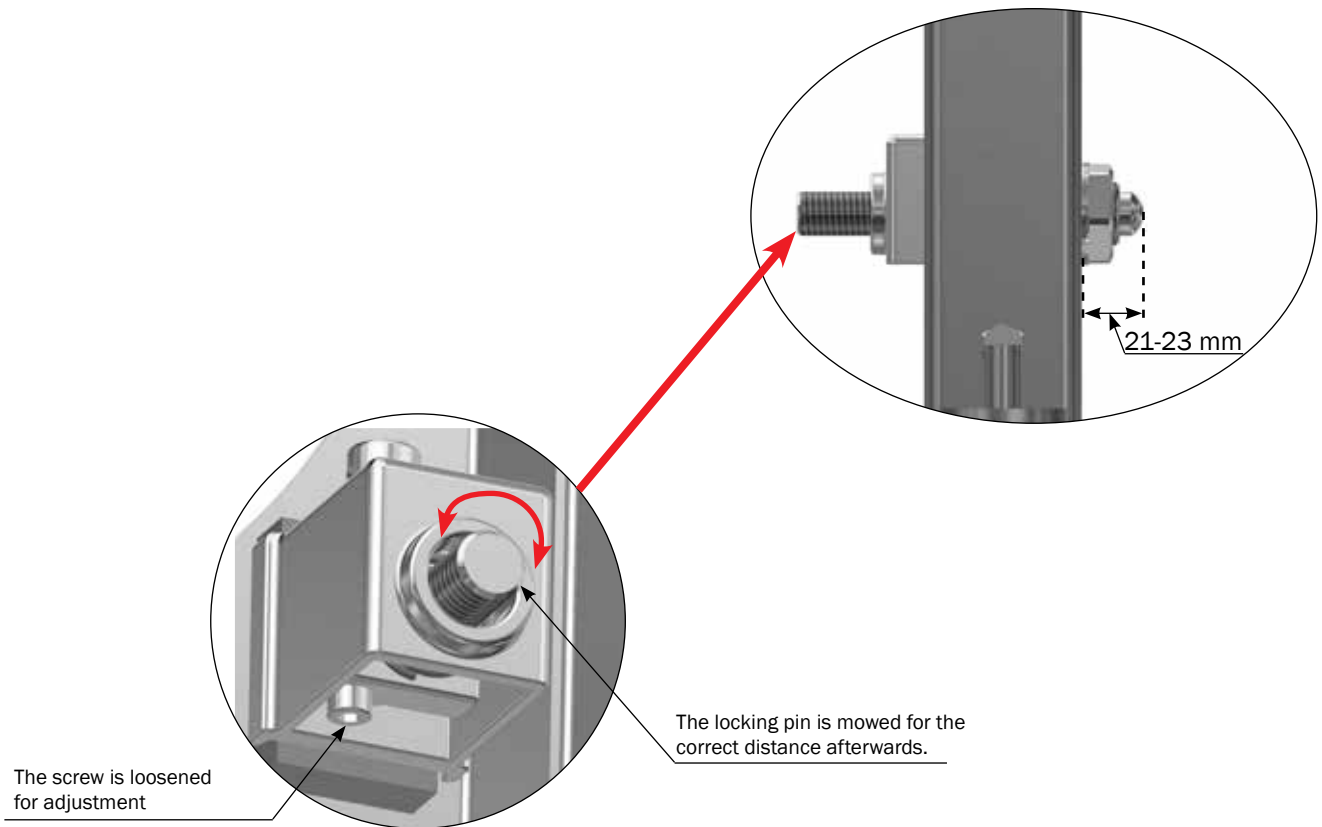
⬡ For parts list look at page 5





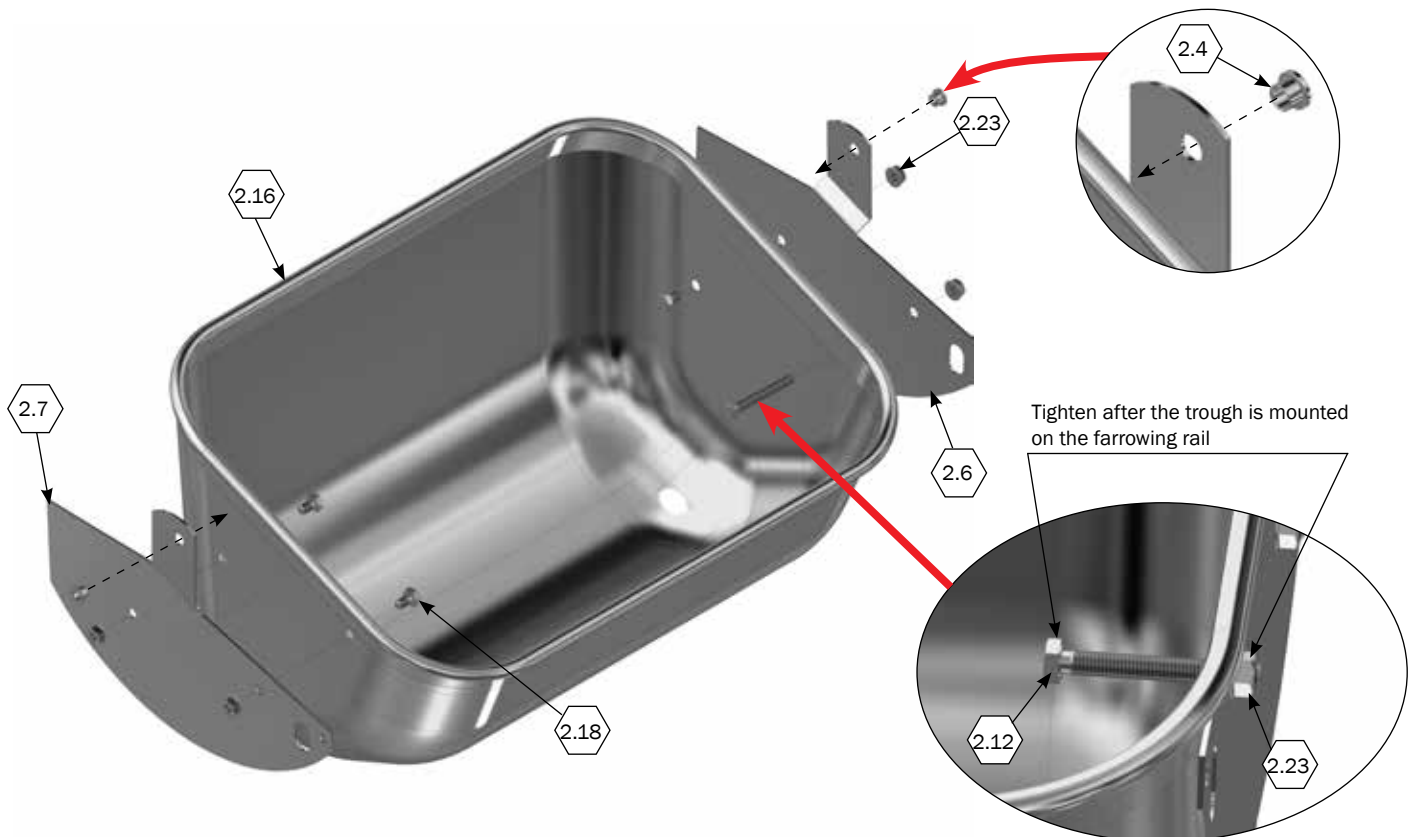
## Adjustment of case turn lock

⬡ For parts list look at page 5



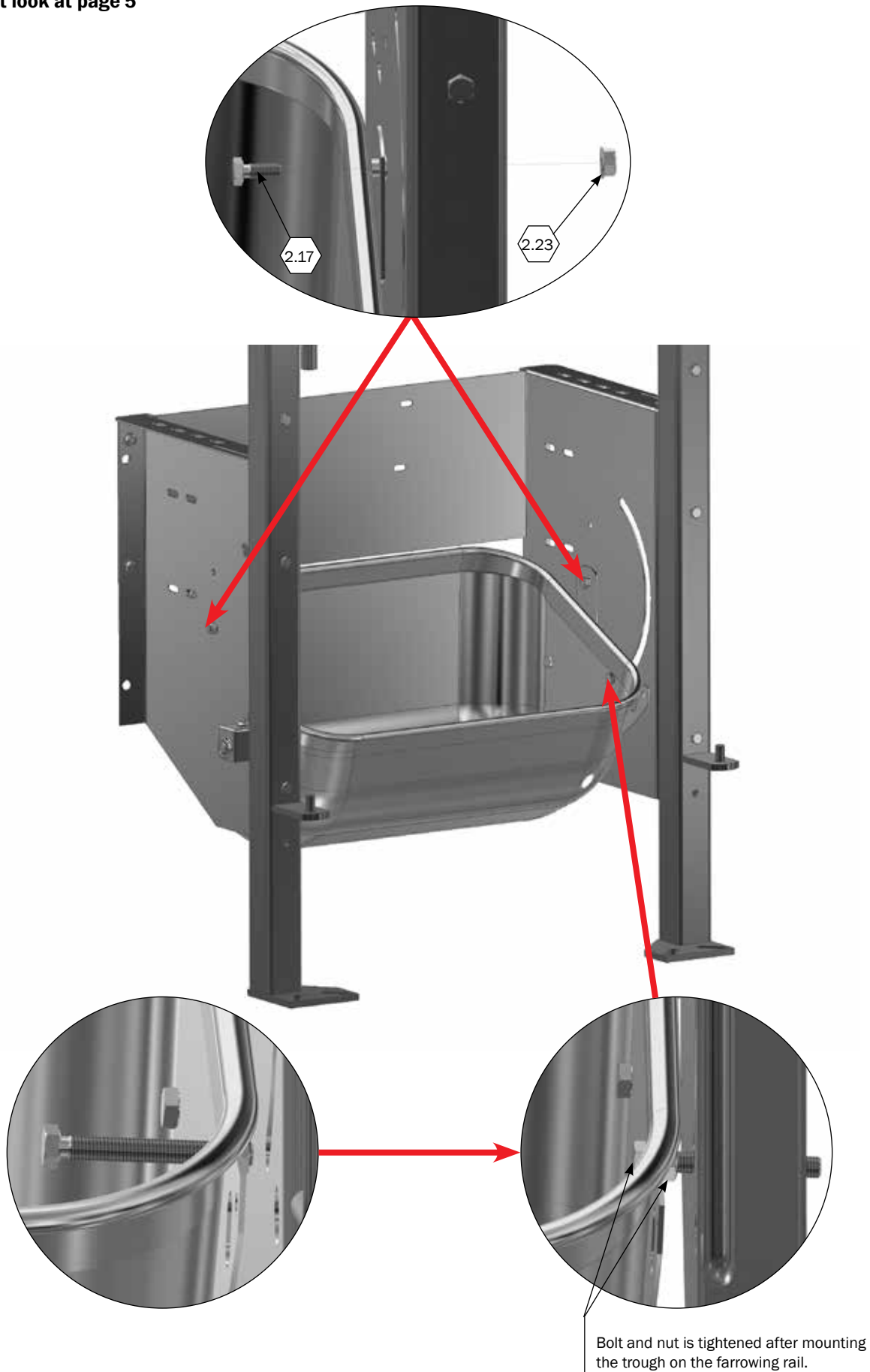
## Preparing of tilt trough for mounting on farrowing rail

⬡ for parts list look at page 5



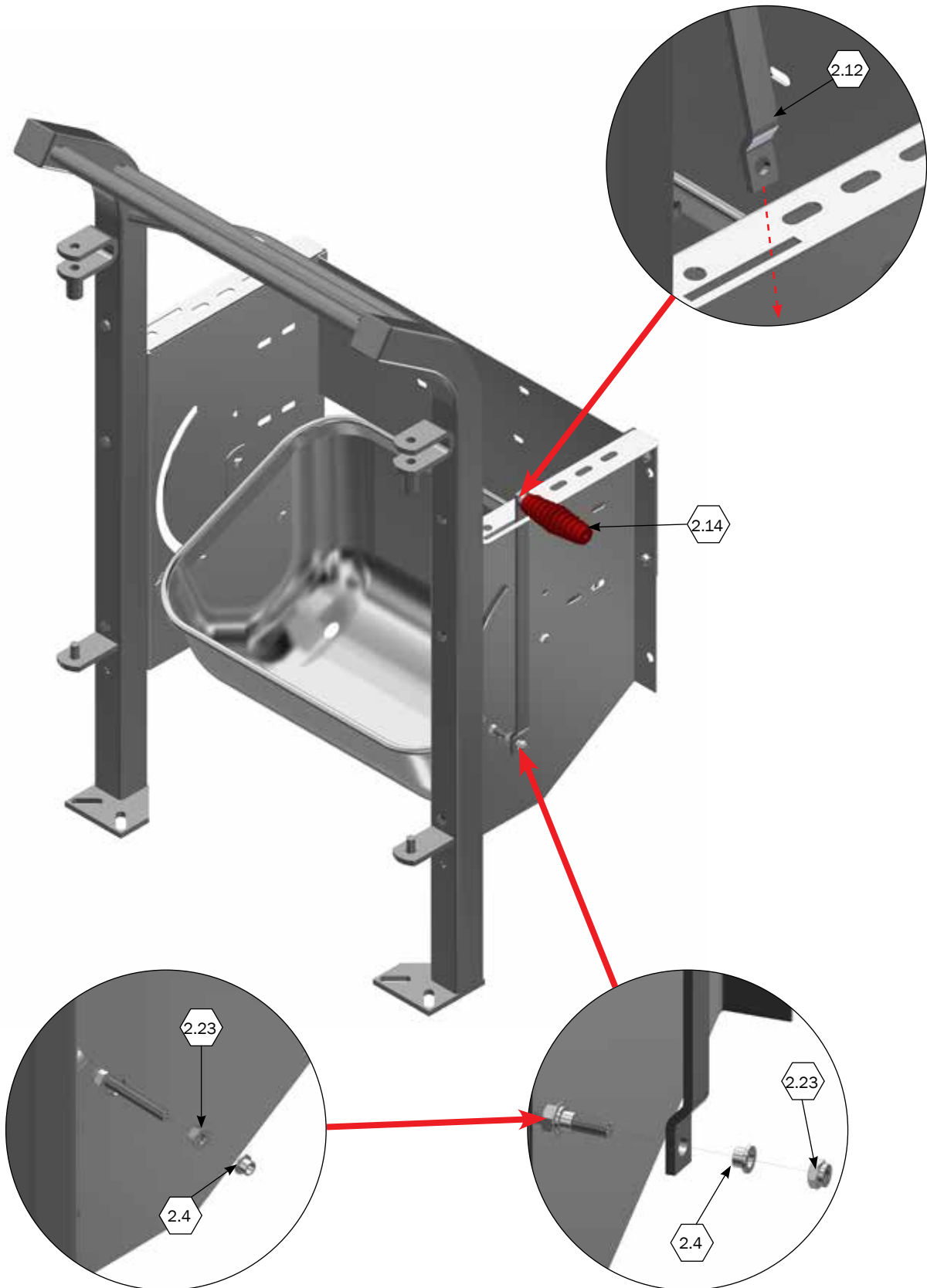
## Mounting of tilt trough on farrowing rail

⬡ For parts list look at page 5



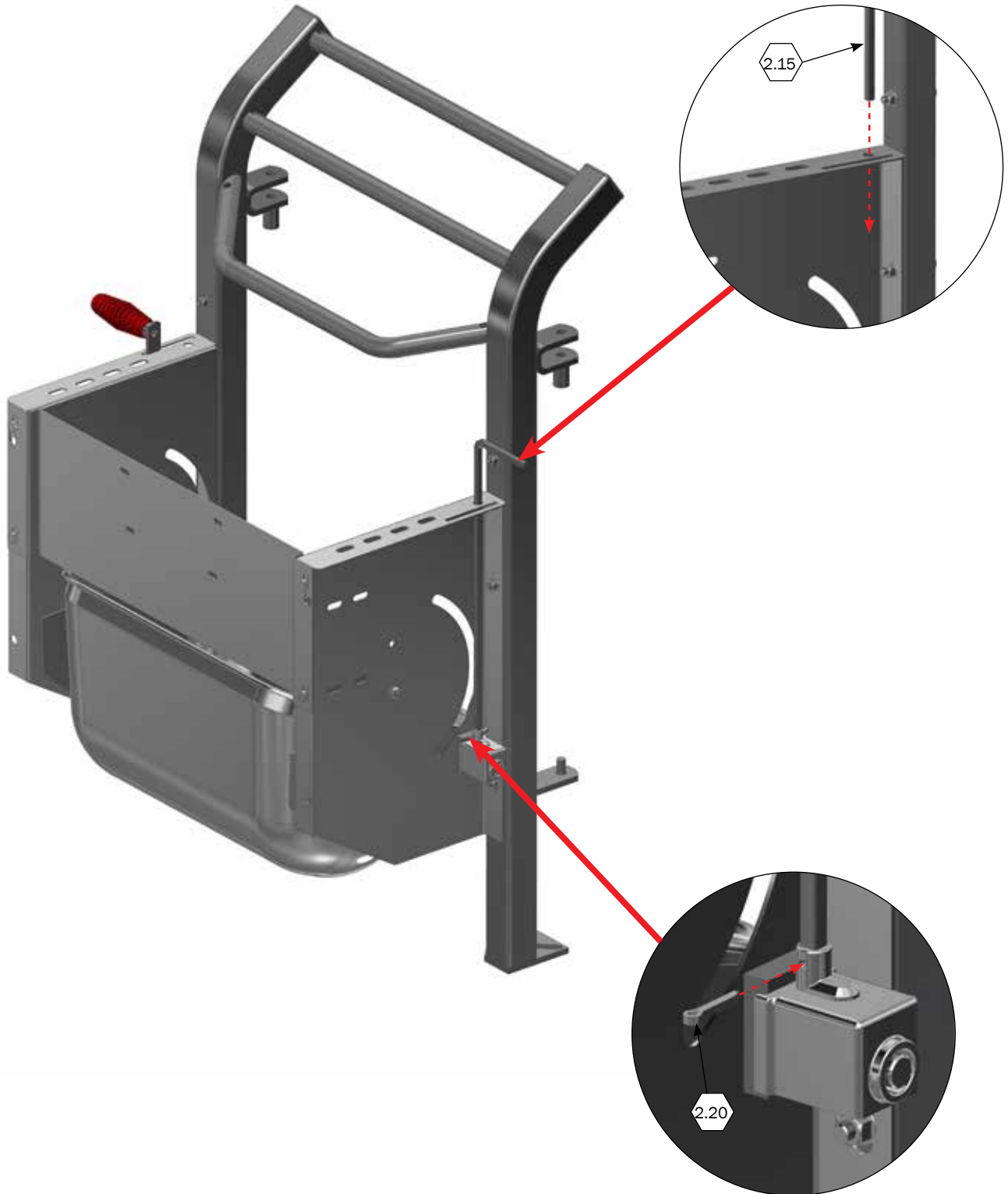
## Mounting of handle on tilt trough

⬡ For parts list look at page 5



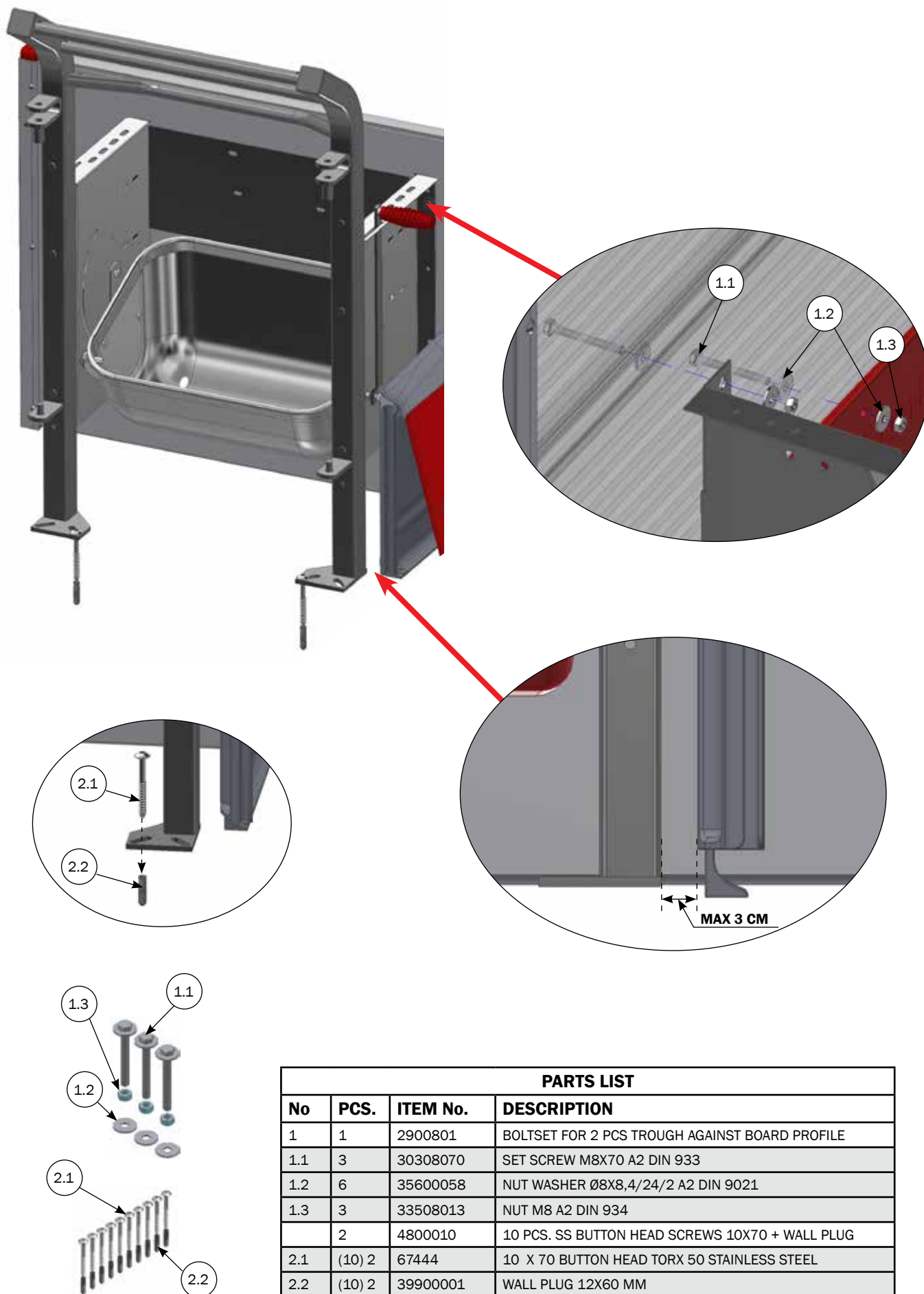
## Mounting of release arm

⬡ For parts list look at page 5



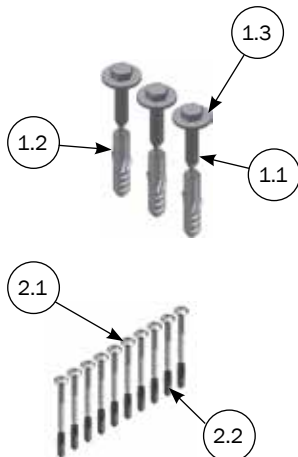
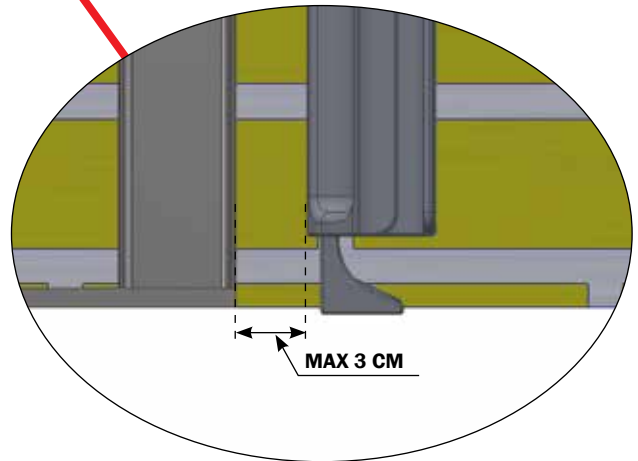
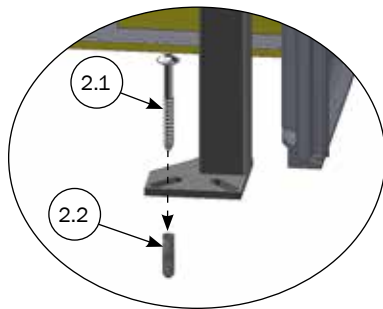
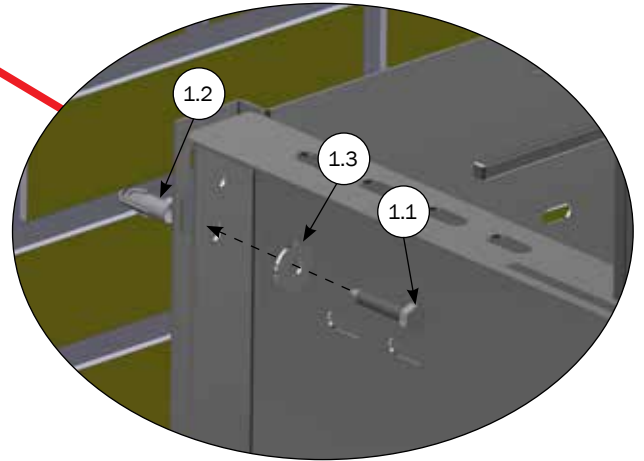
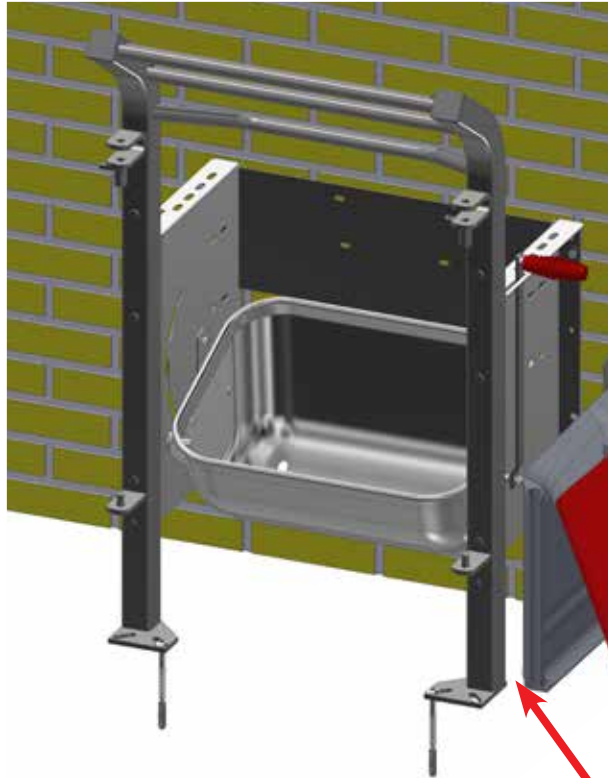
# Mounting of farrowing rail with tilt trough in board profile and concrete floor

For parts list look at page 5



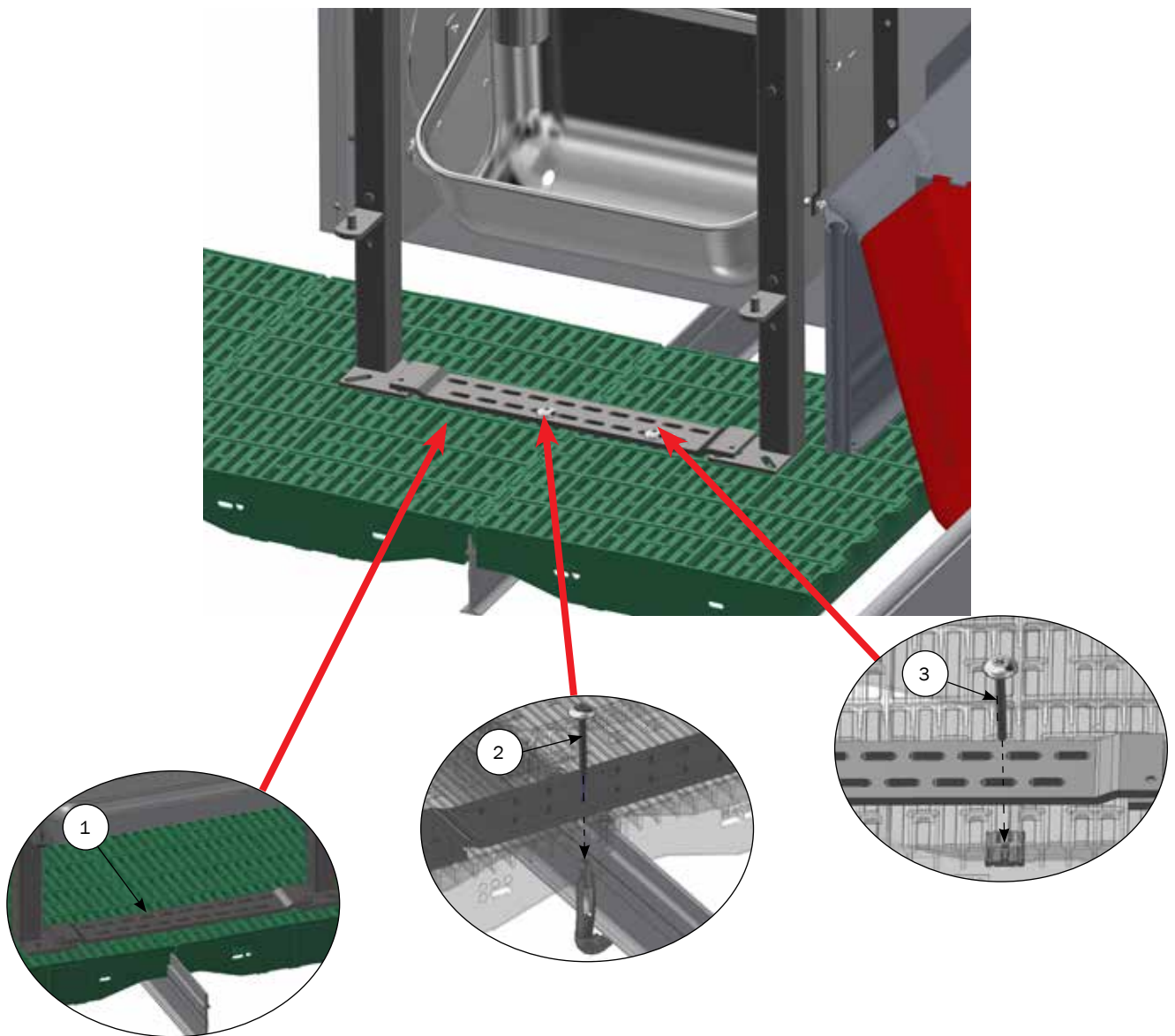
PARTS LIST			
No	PCS.	ITEM No.	DESCRIPTION
1	1	2900801	BOLTSET FOR 2 PCS TROUGH AGAINST BOARD PROFILE
1.1	3	30308070	SET SCREW M8X70 A2 DIN 933
1.2	6	35600058	NUT WASHER Ø8X8,4/24/2 A2 DIN 9021
1.3	3	33508013	NUT M8 A2 DIN 934
	2	4800010	10 PCS. SS BUTTON HEAD SCREWS 10X70 + WALL PLUG
2.1	(10) 2	67444	10 X 70 BUTTON HEAD TORX 50 STAINLESS STEEL
2.2	(10) 2	39900001	WALL PLUG 12X60 MM

# Mounting of farrowing rail with tilt trough in wall and concrete floor



PARTS LIST			
No	PCS.	ITEM No.	DESCRIPTION
1	1	2900800	BOLTSET FOR TROUGH AGAINST WALL
1.1	3	34908041	COUCH SCREW 8X40 A2 DIN 571
1.2	6	39900120	WALL PLUG 10X50MM
1.3	3	35600058	NUT WASHER Ø8X8,4/24/2 A2 DIN9021
2	1	4800010	10 PCS. SS BUTTON HEAD SCREWS 10X70 + WALL PLUG
2.1	(10) 2	67444	10 X 70 BUTTON HEAD TORX 50 STAINLESS STEEL
2.2	(10) 2	39900001	WALL PLUG 12X60 MM

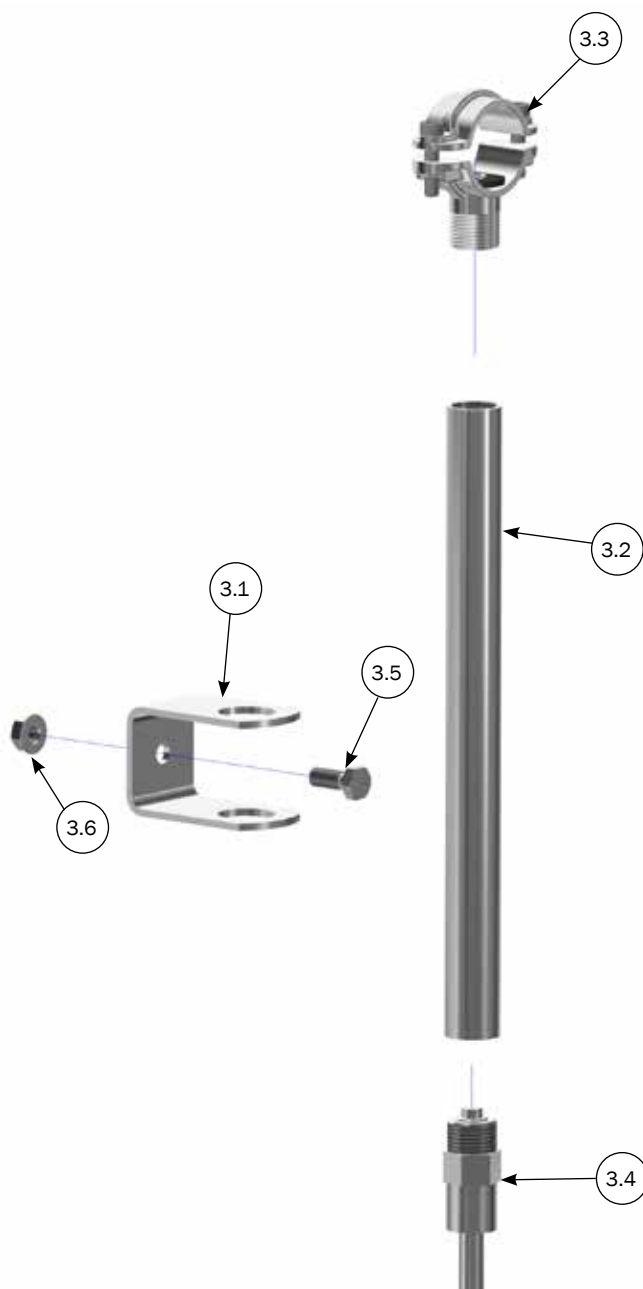
## Mounting of farrowing rail in combi floor



For mounting of pos no. 3 look at page : 30

PARTS LIST		
No	ITEM No.	DESCRIPTION
1	42202	FOOTBRACKET FOR FARROWING RAIL
2	4800025	10 PIECE ANCHOR SET M8 80-115MM
2	4800030	10 PIECE ANCHOR SET M8 100-145 MM
2	4800035	10 PIECE ANCHOR SET M8 130-160 MM
2	4800040	10 PIECE ANCHOR SET M8 100-130 MM
2	4800045	10 PIECE ANCHOR SET M8 120-150 MM
2	4800050	10 PIECE ANCHOR SET M8 150-180 MM
2	29100067	THREAD GLUE STRONG, ACO FUNKI 16,5 ML
3	4800008	10 PCS BOLT-ON FITTINGS WITH 2 THREAD FOR CAST IRON SLATS
3	96967	10 PCS BOLT-ON FITTINGS SMALLFOR CAST IRON SLATS
3	1900241	10 PCS BOLT-ON FITTINGS LARGE FOR CAST IRON SLATS
3	17095	SLAT ANCHOR 8MM GREEN, 10 PIECES
3	17129	SLAT ANCHOR 10 MM GREEN 10 PCS./PACK

## Parts list on water pipe kit for stainless steel water supply

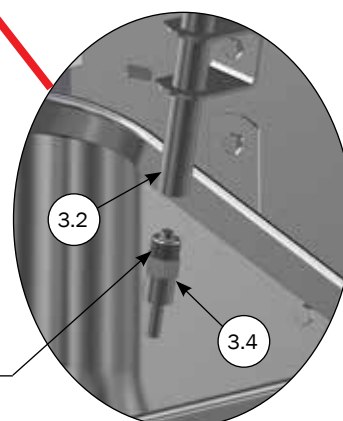
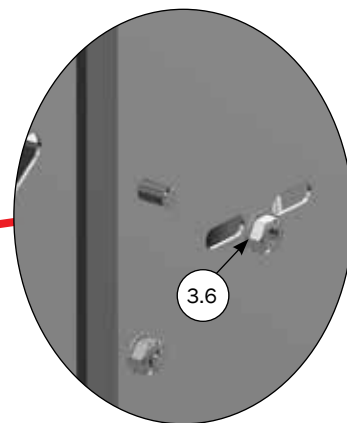
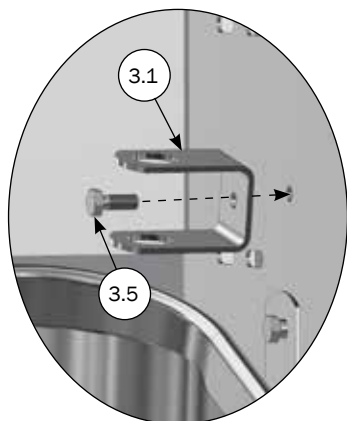
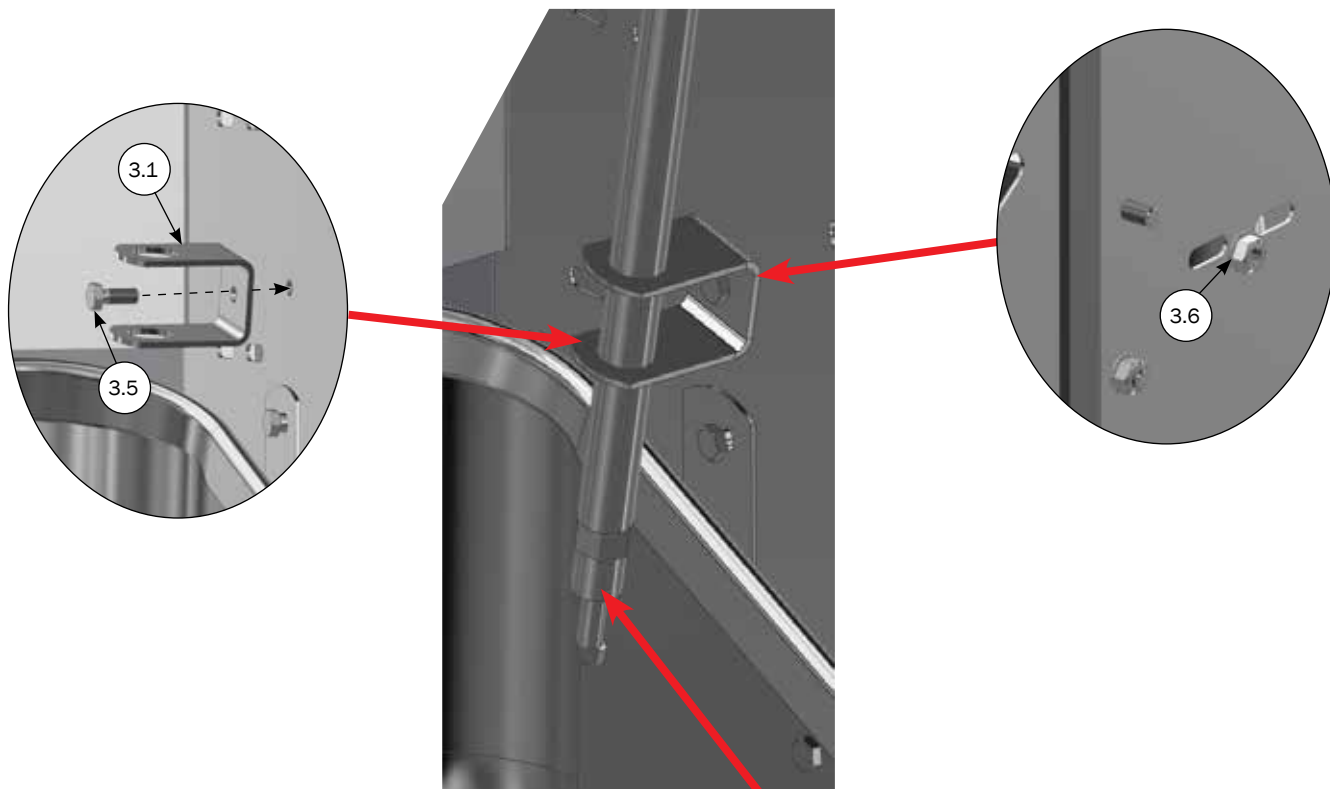


PARTS LIST			
No	PCS.	ITEM No.	DESCRIPTION
1		2700135	WATER PIPE KIT FOR TILT TROUGH STAINLESS STEEL
3.1	1	20005	WATER PIPE BRACKET ½ FOR SOWTROUGH
3.2	1	94014	23 MM PIPE SS 26,5 CM THREAD-THREAD FEMA
3.3	1	93205	DRILL CLAMP 1 - 1/2" MALE THRED COMPLET
3.4	1	93280	PRESS NIPPLE SOWS 13 L ½" EXTERNAL THREAD
3.5	2	30308020	SET SCREW M8X20 A2 DIN 933
3.6	2	68552	M8 FLANGE NUT DIN 6923 A2



# Mounting of bracket and press nipple

○ For parts list look at page 16



### Sealings

Use thread tape or liquid sealings.

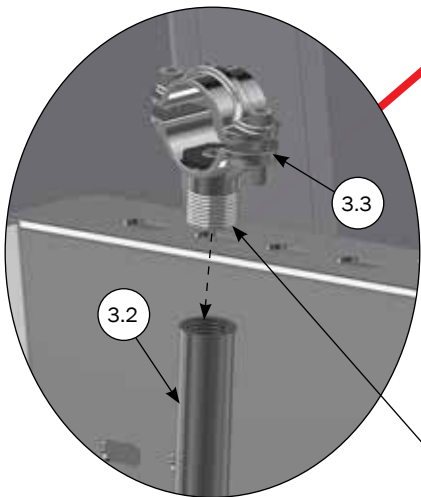
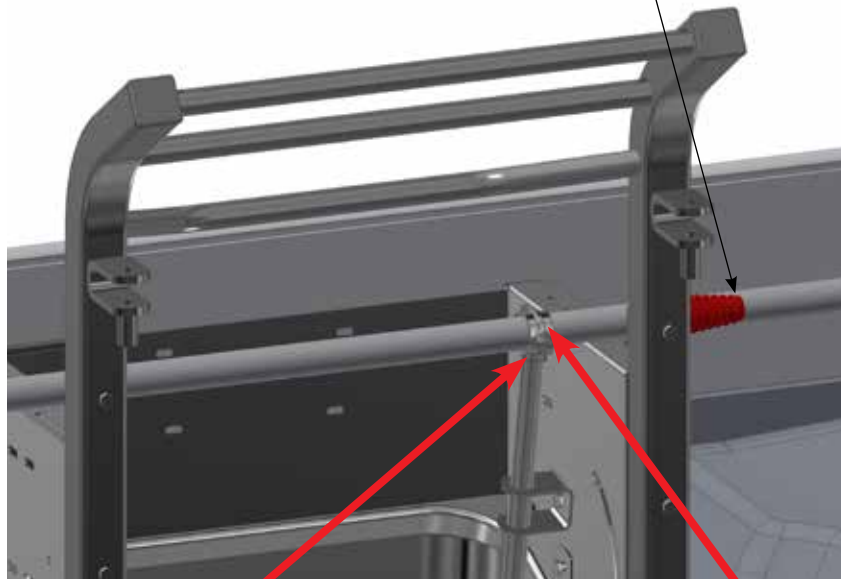


SEALINGS	
ITEM No.	DESCRIPTION
29100001	THREAD TAPE 1 ROLL = 10 M
18984	LIQUID SEALING 100 ML TUBE

# Mounting of drill clamp and water pipe

○ For parts list look at page 16

Water pipe "1900250" is customized on site.

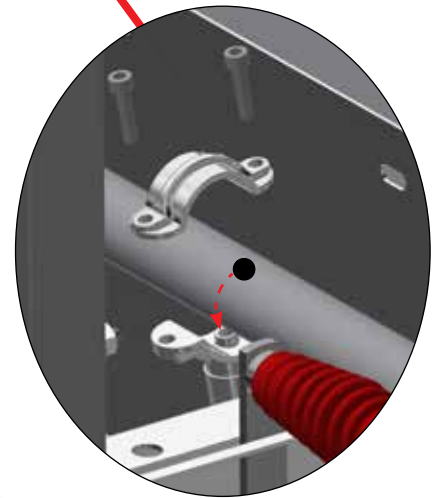


### Sealings

Use thread tape or liquid sealings.



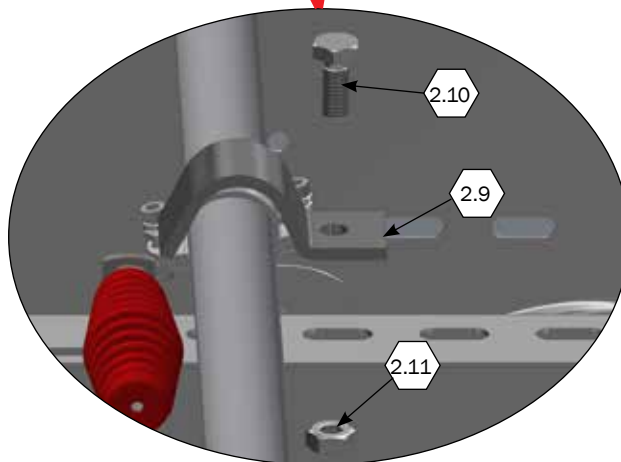
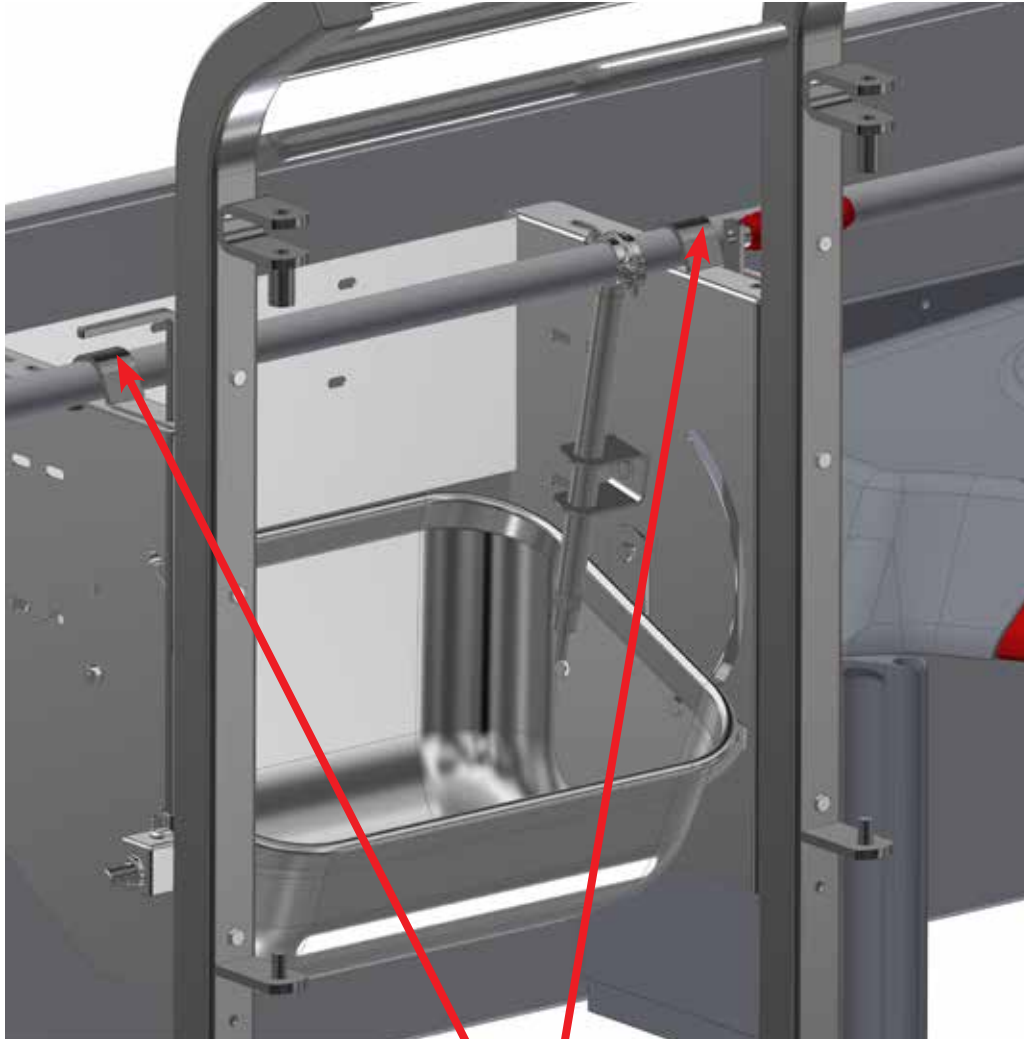
Ø 10MM



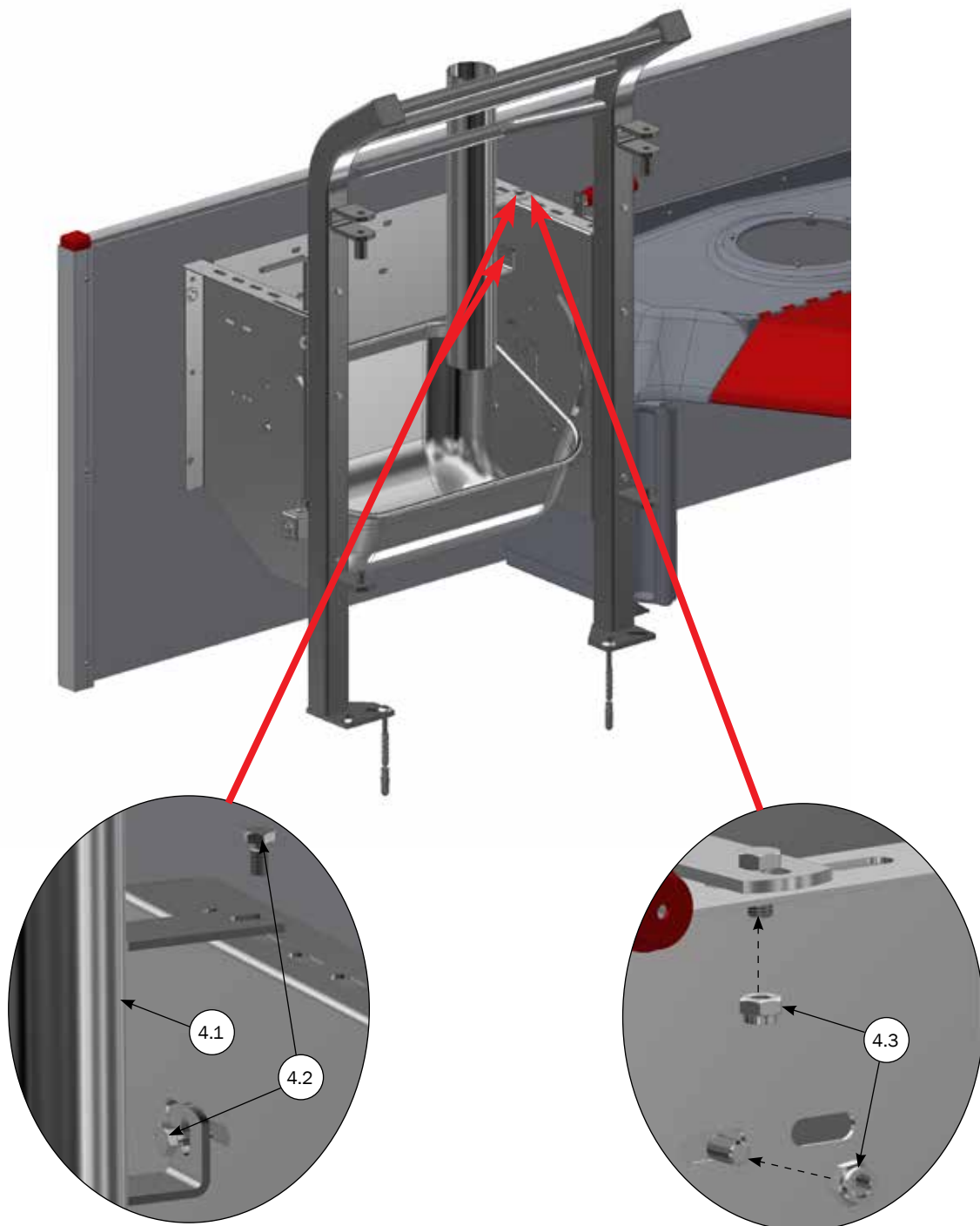
SEALINGS	
ITEM No.	DESCRIPTION
29100001	THREAD TAPE 1 ROLL = 10 M
18984	LIQUID SEALING 100 ML TUBE

## Mounting of pipe retainer

⬡ For parts list look at page 5

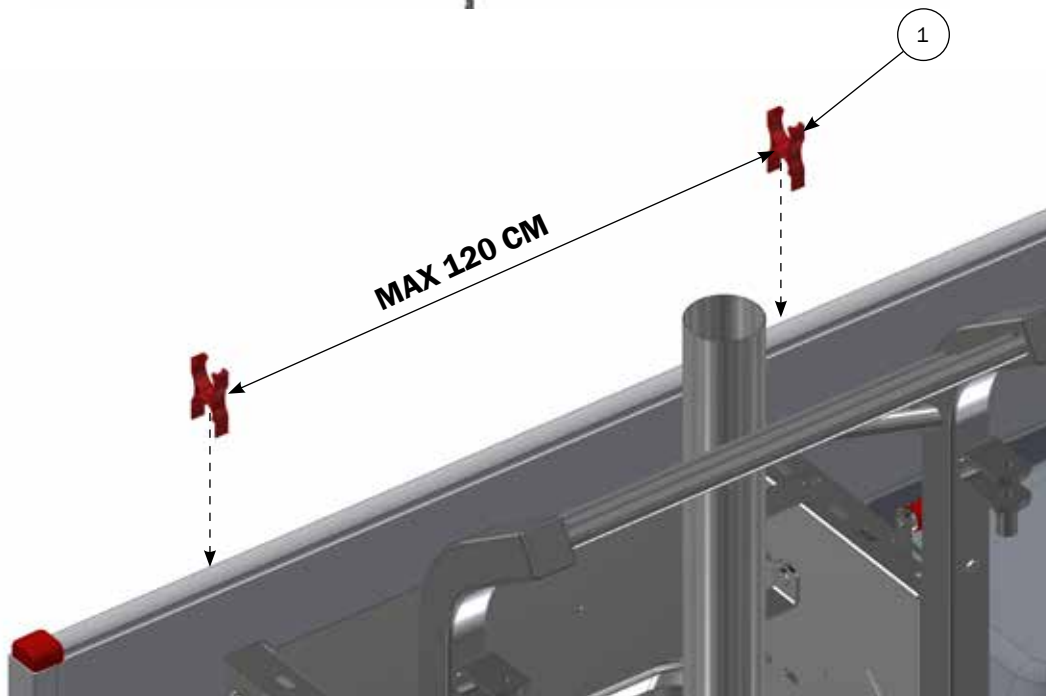
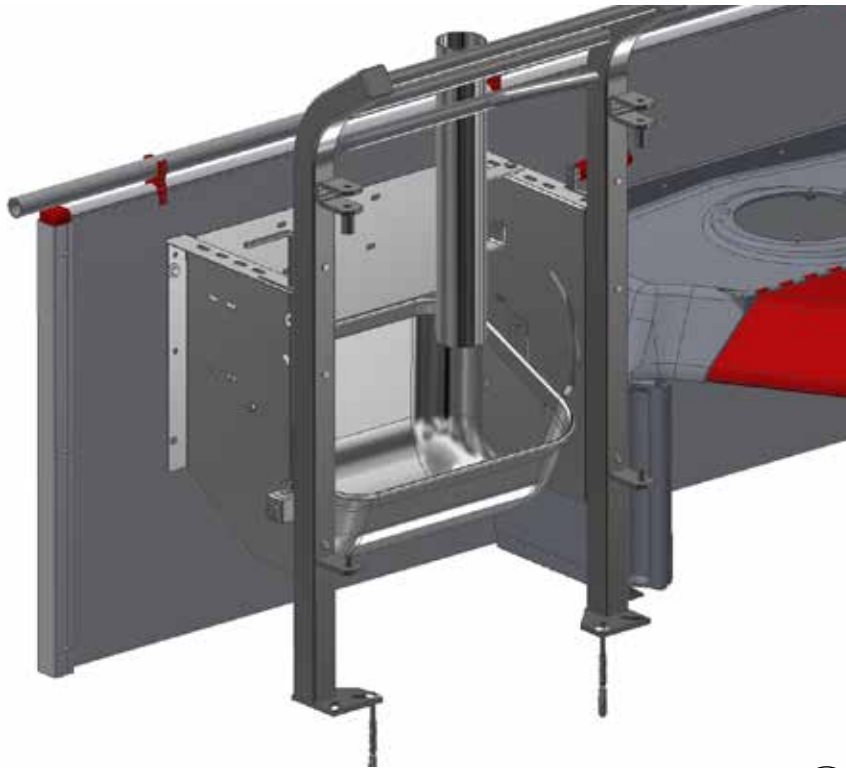


## Mounting of down pipe on tilt trough



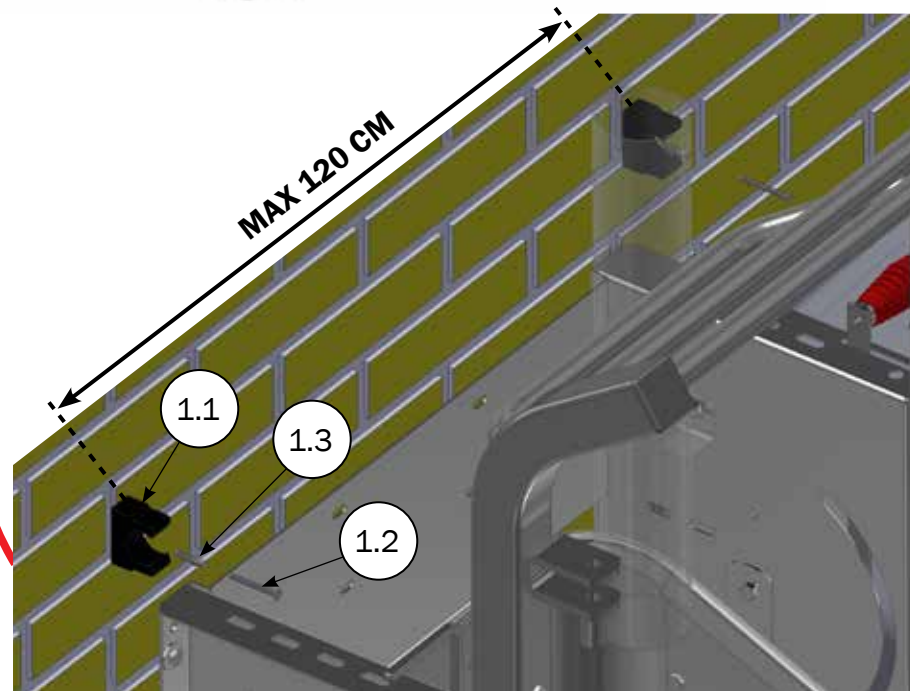
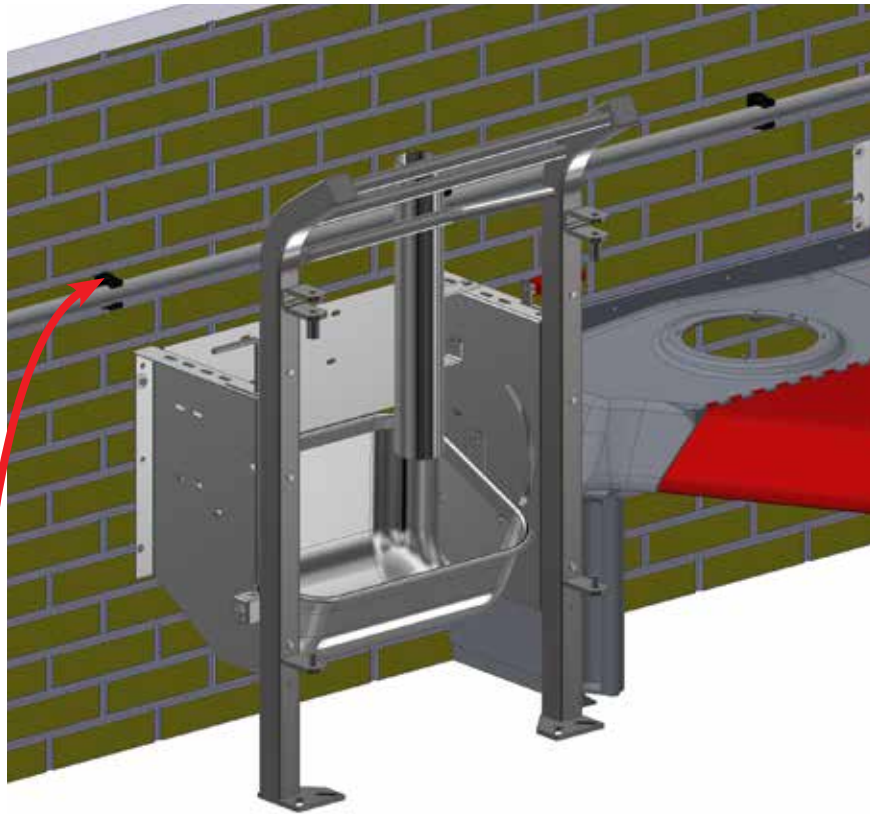
PARTS LIST			
No	PCS.	ITEM No.	DESCRIPTION
4		2900605	PROTECTION PIPE FOR MOVING FLOOR, STAINLESS STEEL
4.1	1	2950605	STAINLESS STEEL DOWN PIPE FORTILT TROUGH ON MOVING FLOOR
4.2	2	30308016	SET SCREW M8X16 A2 DIN 933
4.3	2	33908001	LOCK NUT M8 A2 DIN 985

## Mounting of water pipes on board profile



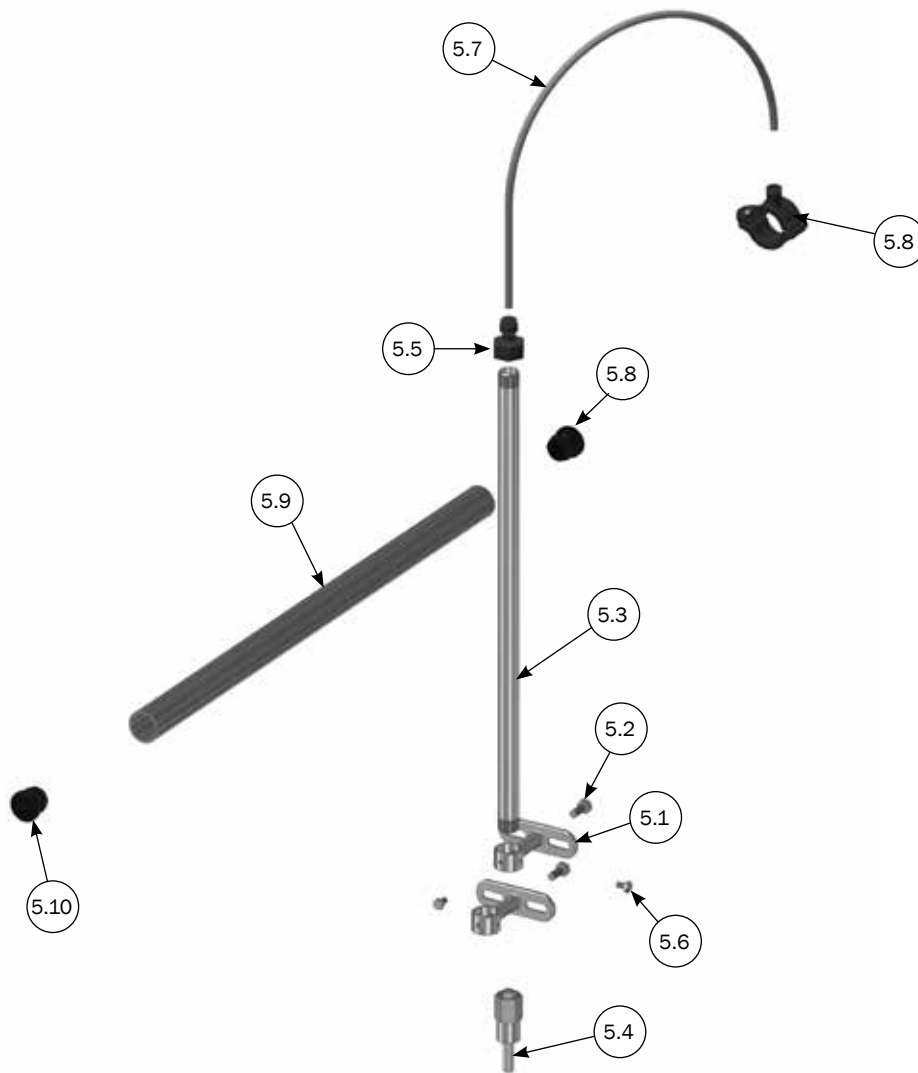
PARTS LIST		
No	ITEM No.	DESCRIPTION
1	8500532	WATER PIPE HOLDER FOR 32 MM PVC PIPES

## Mounting of pvc water pipes on wall



PARTS LIST			
No	PCS.	ITEM No.	DESCRIPTION
1		3900084	PIPE FITTINGS KIT FOR Ø32MM PVC-TUBE AGAINST WALL
1.1	1	23900387	PIPE HANGER WITH FASTENING BRACKET Ø32MM
1.2	1	25000039	CHIPBOARD SCREW 5X50 US-SLOTORX A2
1.3	1	9961004	DOWEL 6X30MM

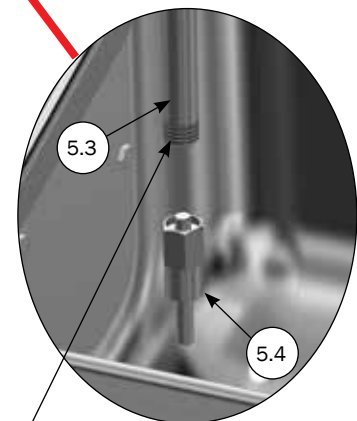
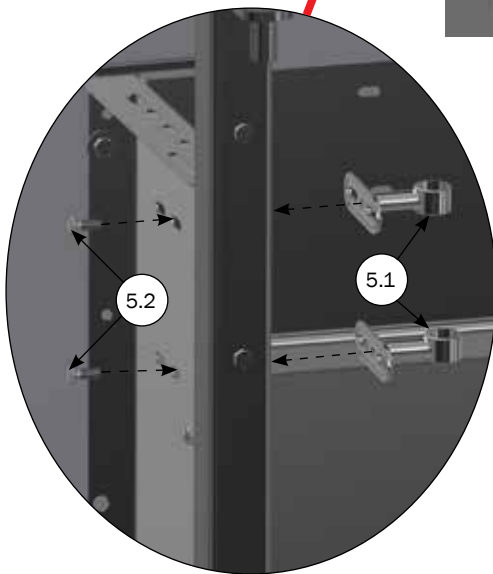
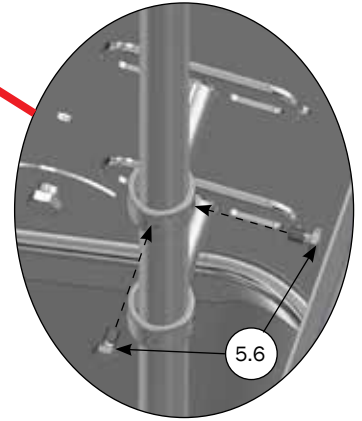
## Parts list on water pipe kit for pvc water supply



PARTS LIST			
No	PCS.	ITEM No.	DESCRIPTION
5		2700155	WATER PIPE KIT FOR TILT TROUGH
5.1	2	2950521	WATER PIPE MOUNTING ½' STAINLESS WITH THREAD
5.2	2	30308020	SET SCREW M8X20 A2 DIN 933
5.3	1	06902110	NIPPLE 1/2' STAINL. THREADED IN BOTH ENDS, 495 MM
5.4	1	9900047	PRESS NIPPLE ½' SS TYPE 17, INTERNAL THREAD LARGE AMOUNT OF WATER
5.5	1	61148	SPEED UNION 8 MM MUFF/FEMALE THREAD
5.6	2	30306010	SET SCREW M6X10 ST DIN 933 A2
5.7	1	61015	HOSE 8 MM PE 90 CM
5.8	1	61195	DRILL CLAMP PVC 10MM-32/33,7 MM
5.9	1	8140005	PEN FRONT BARS FOR FARROWING RAIL, WET FEEDING
5.10	2	9960006	ROUND CAP BLACK (1' PIPE)

# Mounting of bracket, nipple pipe and press nipple for pvc water supply

○ For parts list look at page 23



## Sealings

Use thread tape or liquid sealings.

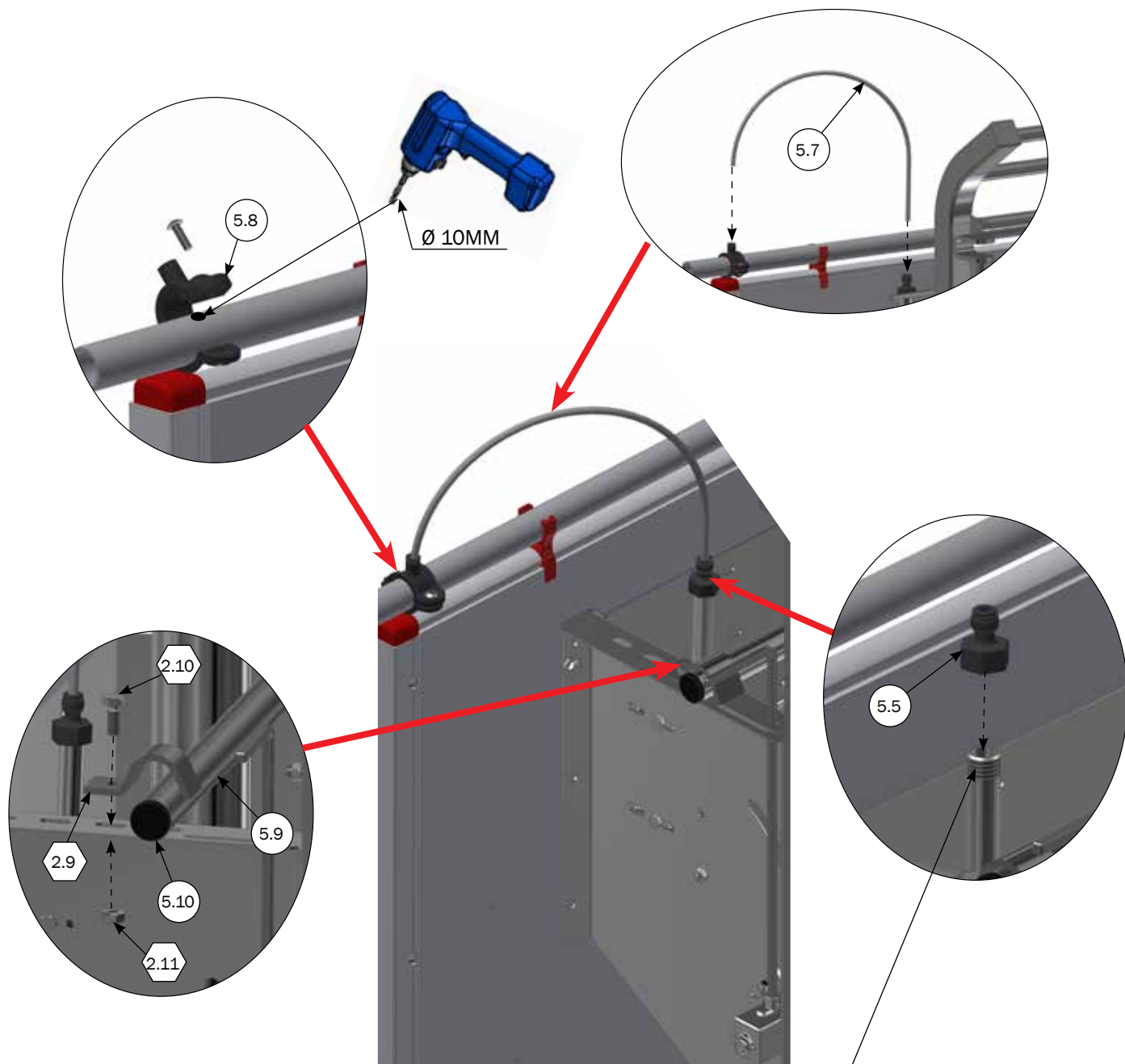


SEALINGS	
ITEM No.	DESCRIPTION
29100001	THREAD TAPE 1 ROLL = 10 M
18984	LIQUID SEALING 100 ML TUBE



# Mounting of drill clamp on pvc water pipe

- ⬡ For parts list look at page 5
- For parts list look at page 23



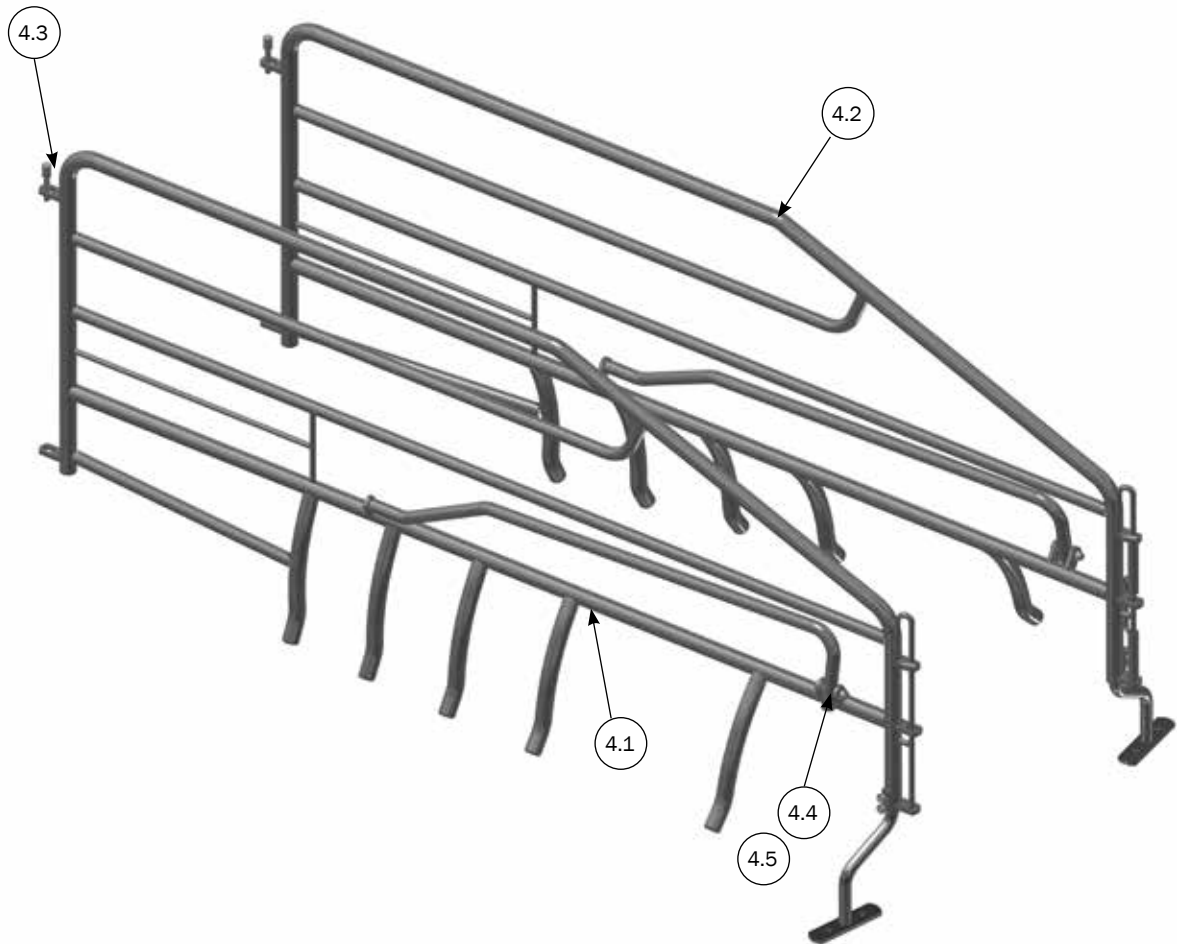
### Sealings

Use thread tape or liquid sealings.



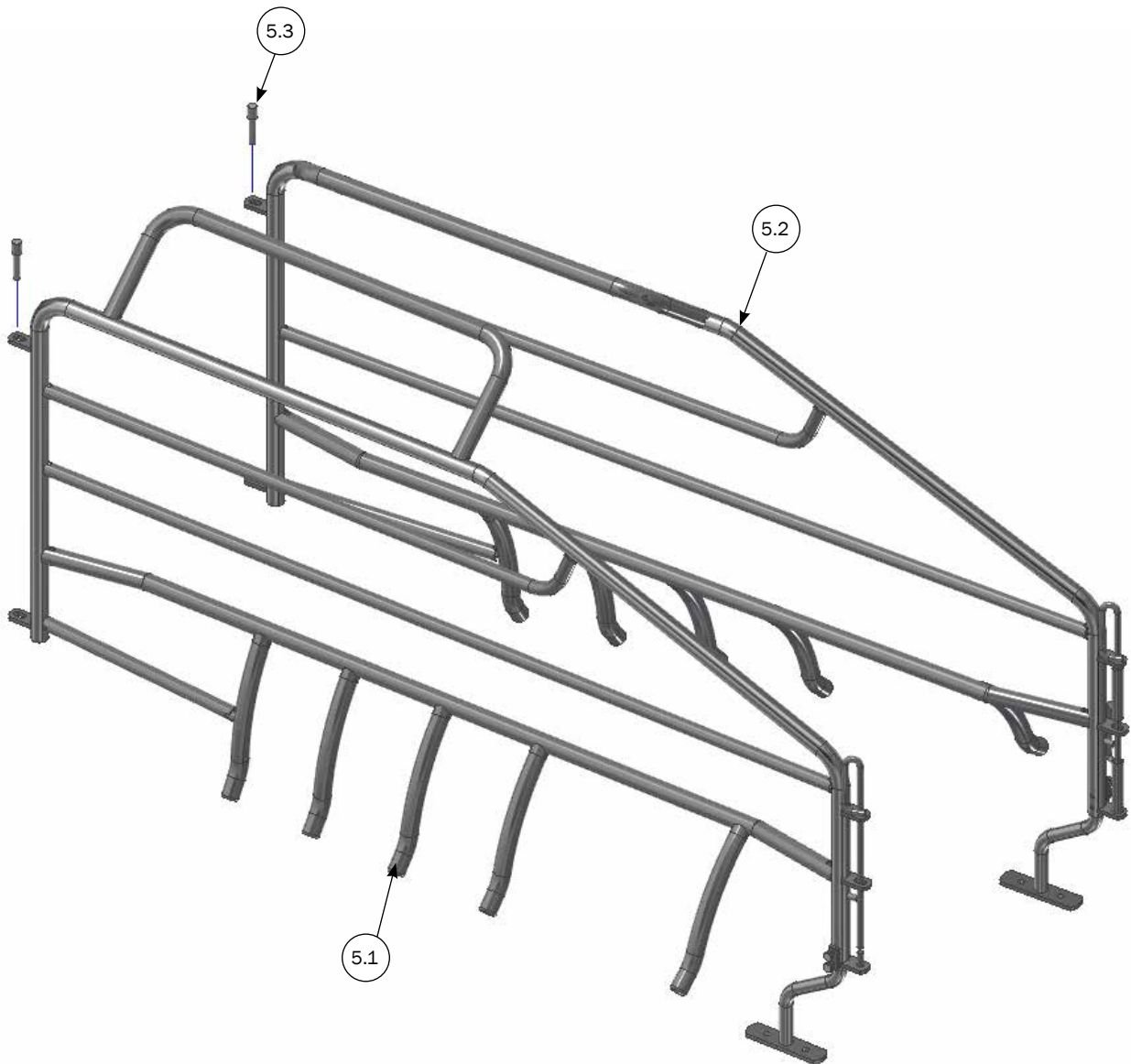
SEALINGS	
ITEM No.	DESCRIPTION
29100001	THREAD TAPE 1 ROLL = 10 M
18984	LIQUID SEALING 100 ML TUBE

## Parts list on farrowing partition F200S with tilting bow



PARTS LIST			
No	PCS.	ITEM No.	DESCRIPTION
		2100144	FARROWING PARTITION F200S WITH TILTING BOW
		2105143	FARROWING PARTITION LEFT F200 INCL. TILTING BOW, PIN AND FOOT
		2105144	FARROWING PARTITION RIGHT F200 INCL. TILTING BOW, PIN AND FOOT
4	1	2100563	FARROWING PARTITION F207 WITH TILT FENDER
4.1	1	2105563	FARROWING PARTITION F205, LEFT- SET, INCL TILTING BOW, PINHOLDER
4.2	1	2105564	FARROWING PARTITION F205, RIGHT - SET INCL TILTING BOW, PINHOLDER
4.3	2	2020726	SHORT PIN FOR WING Ø 12 MM
4.4	2	32310065	MACHINE SCREW M10X65 A2 DIN 931
4.5	2	33900029	LOCK NUT M10 A2 DIN 985

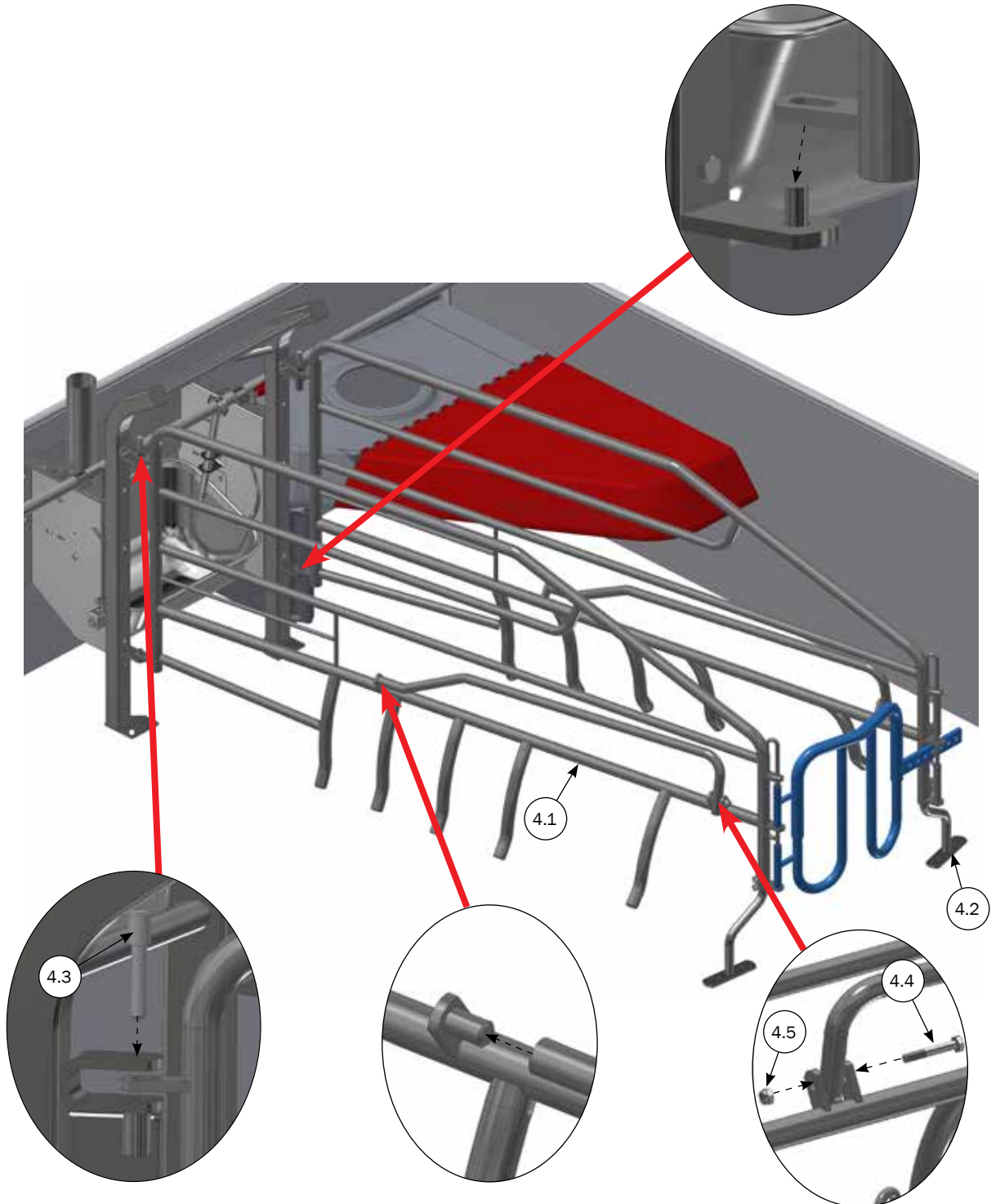
## Parts list on farrowing partition F200S export



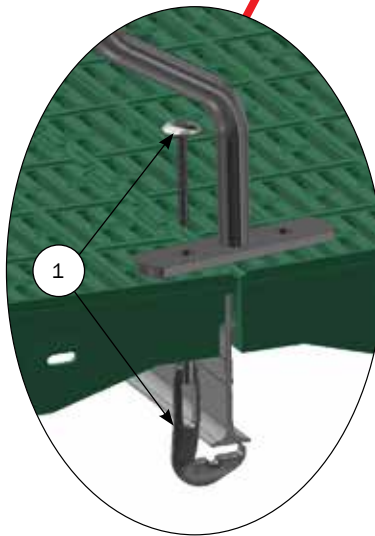
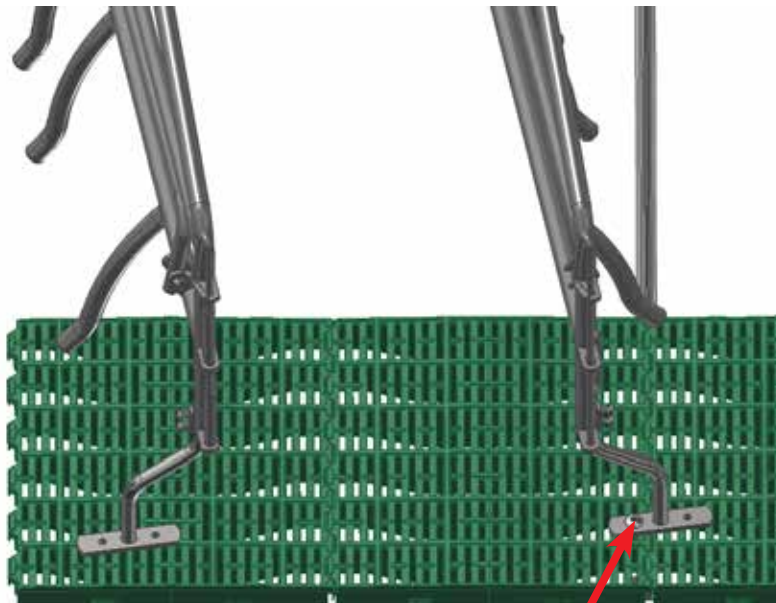
PARTS LIST			
No	PCS.	ITEM No.	DESCRIPTION
	1	2100612	FARROWING PARTITION F200S EXPORT
5.1	1	2105613	FARROWING PARTITION LEFT F200 EXPORT INCL. PIN AND FOOT
5.2	1	2105612	FARROWING PARTITION RIGHT F200 EXPORT INCL. PIN AND FOOT
5.3	2	2020726	SHORT PIN FOR WING Ø 12 MM

## Mounting of farrowing partition on farrowing rail

○ For parts list look at page 26



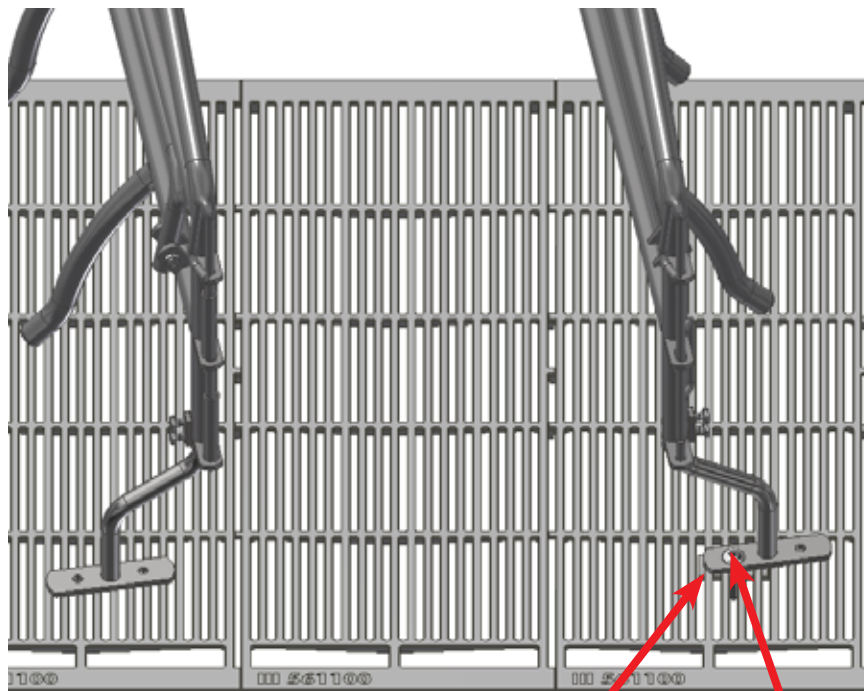
## Mounting of farrowing partition in combi floor



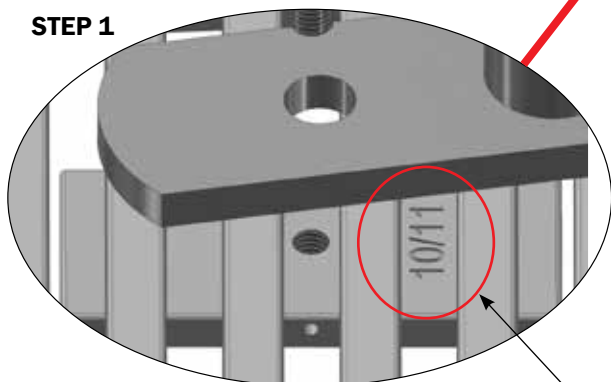
**Only 1 farrowing partition is mounted in the floor**

PARTS LIST		
No	ITEM No.	DESCRIPTION
1	4800025	10 PIECE ANCHOR SET M8 80-115MM
1	4800030	10 PIECE ANCHOR SET M8 100-130 MM
1	4800035	10 PIECE ANCHOR SET M8 130-160 MM
1	4800040	10 PIECE ANCHOR SET M8 100-130 MM
1	4800045	10 PIECE ANCHOR SET M8 120-150 MM
1	4800050	10 PIECE ANCHOR SET M8 150-180 MM
1	29100067	THREAD GLUE STRONG, ACO FUNKI 16,5 ML

## Mounting of bolt-on fittings in cast iron slats

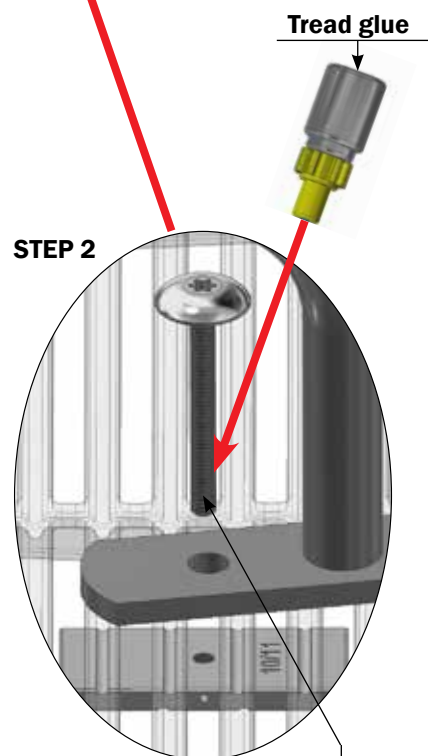


### STEP 1



Bolt-on fitting is placed correct if 10/11 iron slats and the marking 10/11 on the bracket is turned up against the slats, and the same for 12/ 13 iron slats.

### STEP 2

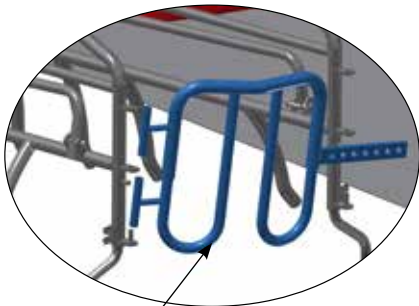
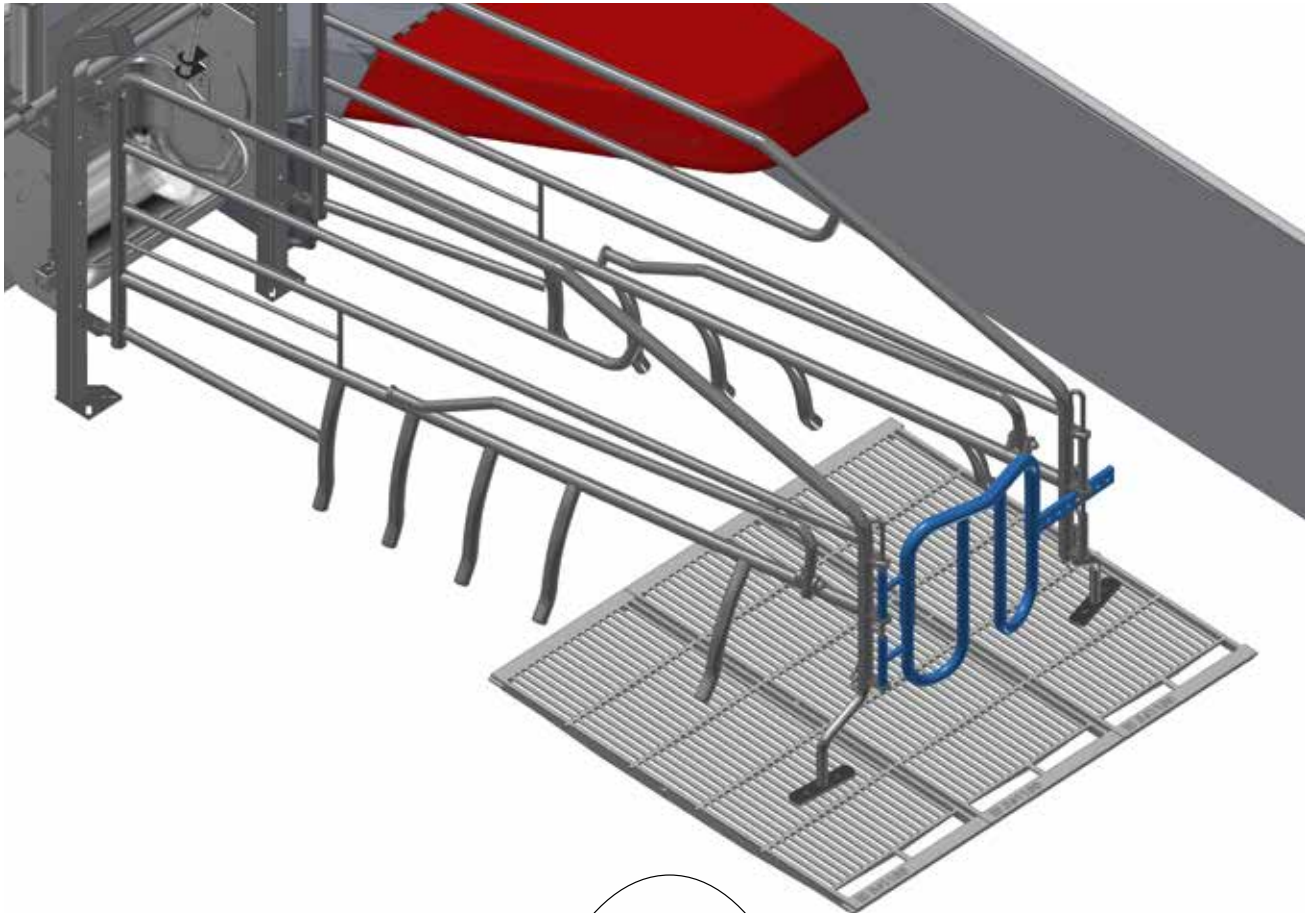


Thread glue **item no. 29100067 must** be applied the screw when mounting the screw in the bolt-on fitting, and the screw **must** also be tightened afterwards with a nut buckles.  
Function hardening, 3 hours, through hardening 8 hours.

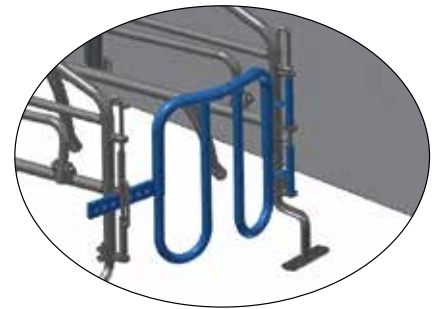
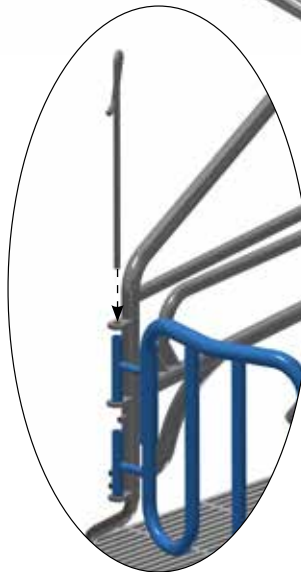
### PARTS LIST

No	ITEM No.	DESCRIPTION
1	1900241	10 PCS BOLT-ON FITTINGS LARGE FOR CAST IRON SLATS
1	4800008	10 PCS BOLT-ON FITTINGS WITH 2 THREAD FOR CAST IRON SLATS
2	29100067	THREAD GLUE STRONG, ACO FUNKI 16,5 ML

## Mounting of rear gate on farrowing partition



3



### PARTS LIST

No	ITEM No.	DESCRIPTION
1	2116509	REAR GATE MODEL SOFT 3/4', LEFT-OPENED
2	2120509	LEFT REAR GATE GALV, SOFT 3/4'
3	2116510	REAR GATE MODEL SOFT 3/4', LEFT-OPENED
4	2120510	RIGHT REAR GATE GALV, SOFT 3/4'
5	2115051	REAR GATE F200, 45-65 CM, GALVANIZED

