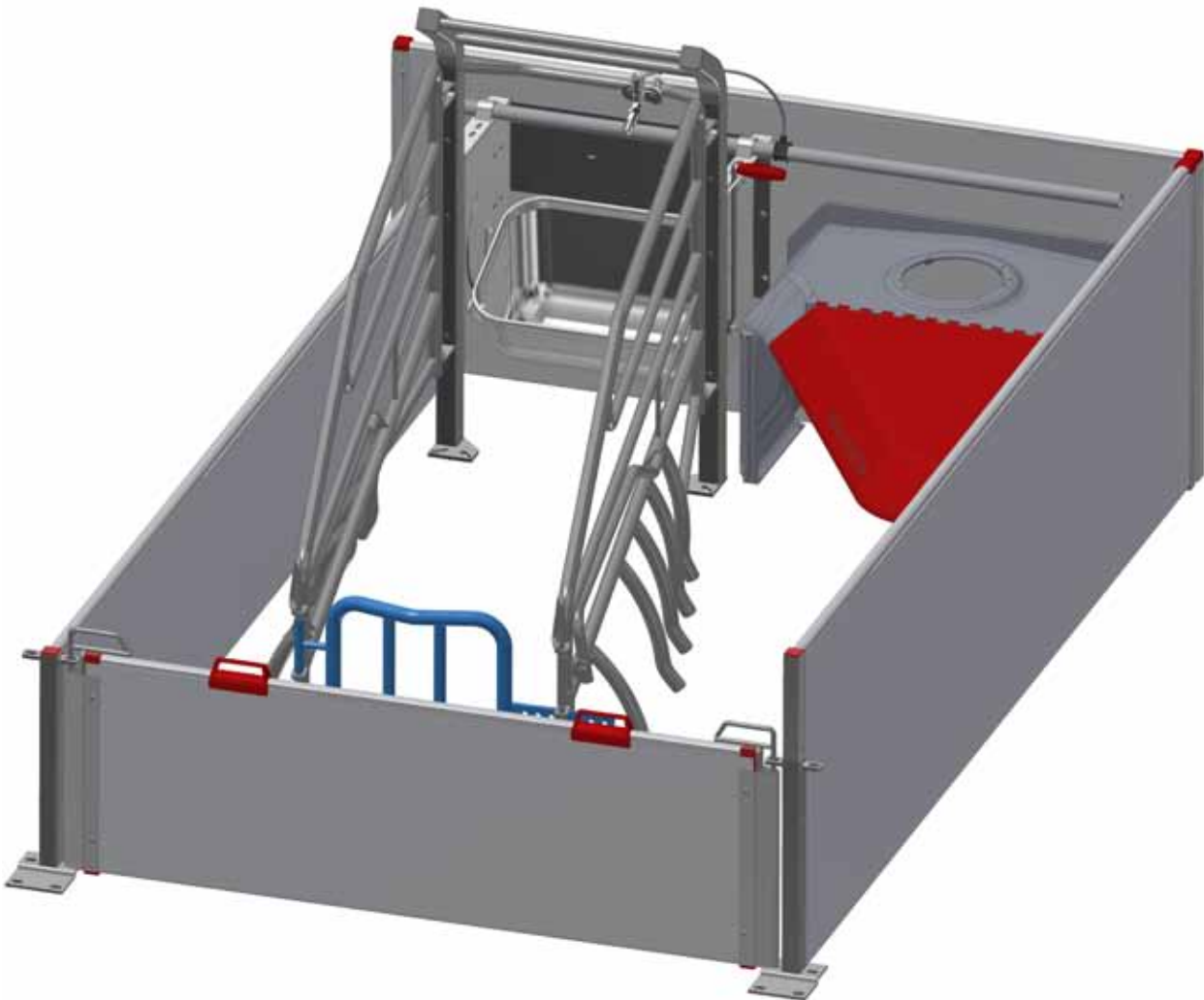


MOUNTING INSTRUCTION



BITE NIPPLE for sows in farrowing pens



ACO FUNKI A/S

Kirkevænget 5
DK-7400 Herning

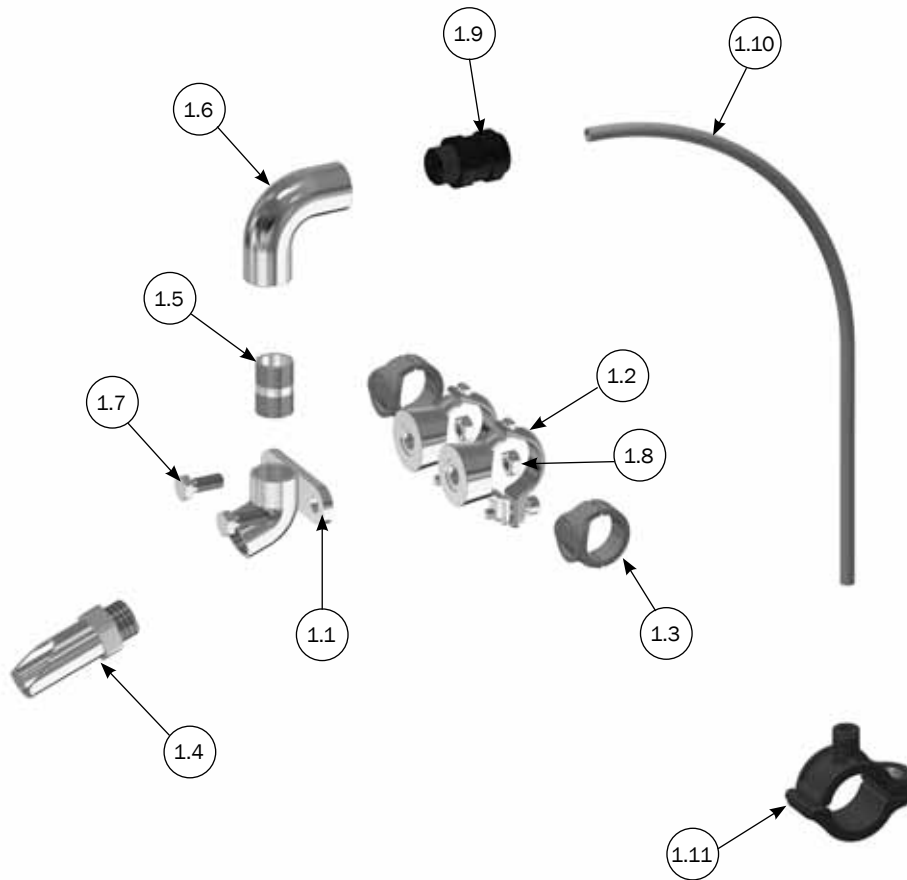
Tel. +45 9711 9600

Fax +45 9711 9677

www.acofunki.com

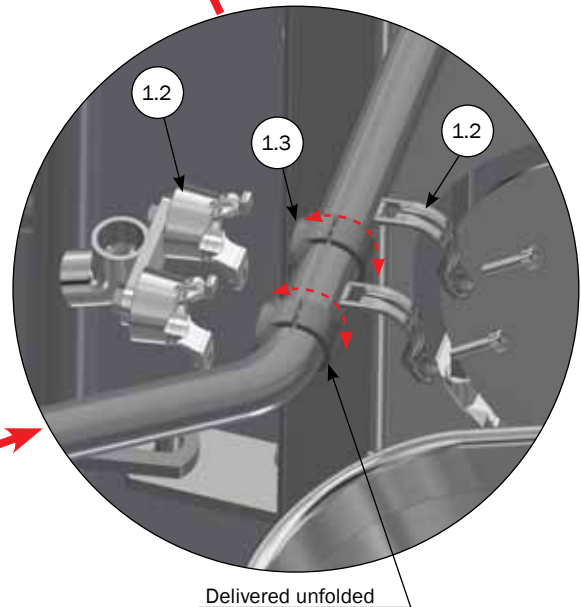
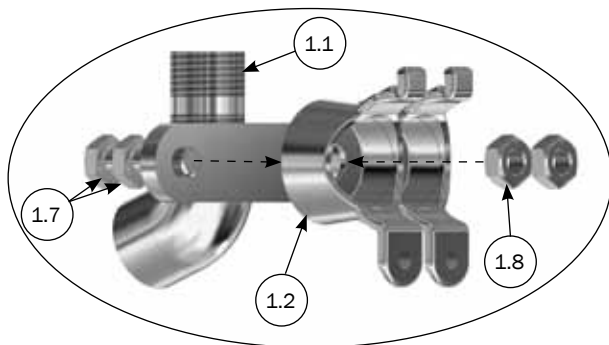
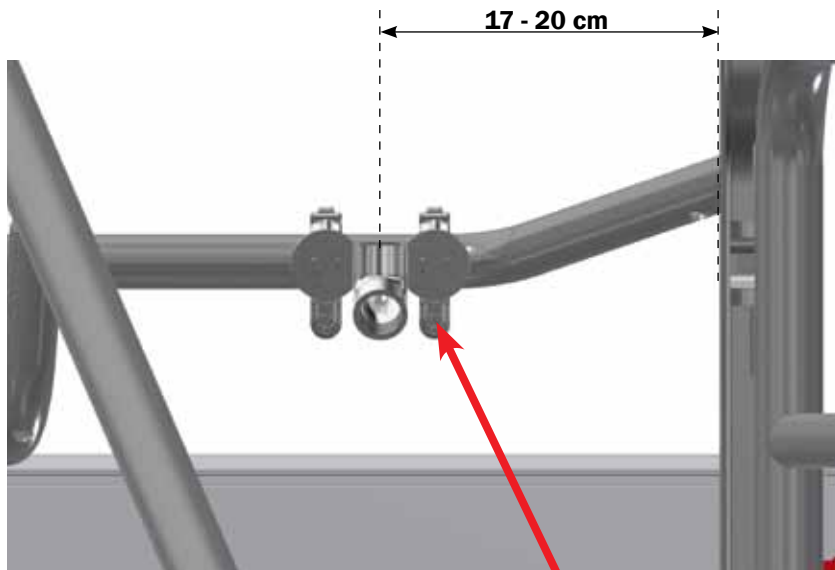
DANISH DESIGN | GERMAN QUALITY | GLOBAL EXPERIENCE

Parts list for bite nipple male thread for sows

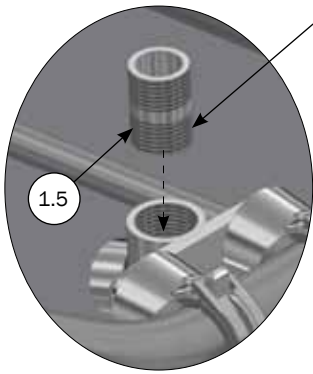


PARTS LIST			
No	PCS.	ITEM No	DESCRIPTION
1		2100773	BITE-NIPPLE MALE THREAD FOR SOWS IN FARROWING PENS
1.1	1	12100335	STAINLESS ELBOW 75* 1/2' RG
1.2	2	20035	1' MASTER CLAMP WATER PIPE BRACKET
1.3	2	20041	LINER MASTER CLAMP 3/4 PIPE
1.4	1	93343	BITE NIPPLE MALE THREAD SOWS 1/2 SS
1.5	1	94131	NIPPLE PIPE 1/2 X 30 MM, SS
1.6	1	12100317	1/2' STAINLESS BEND 90°
1.7	2	30308020	SET SCREW M8X20 A2 DIN 933
1.8	2	33508013	NUT M8 A2 DIN 934
1.9	1	61124	MALE COUPLER 1/2/8 MM
1.10	1	61012	HOSE 8 MM PE
1.11	1	61195	DRILL CLAMP PVC 10MM-32/33,7 MM

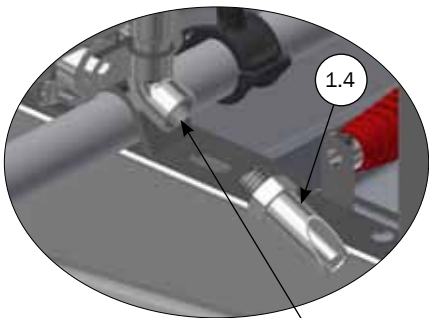
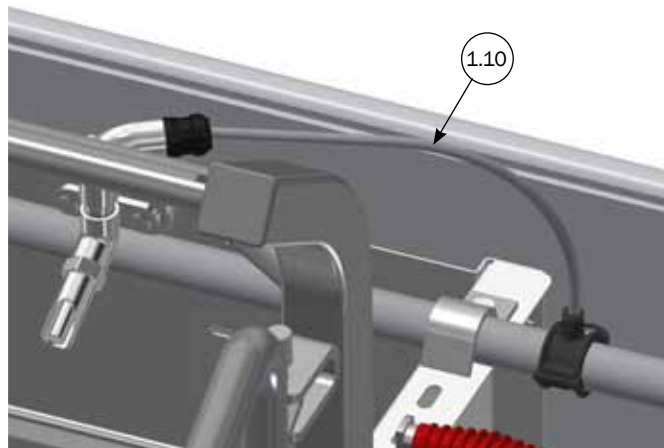
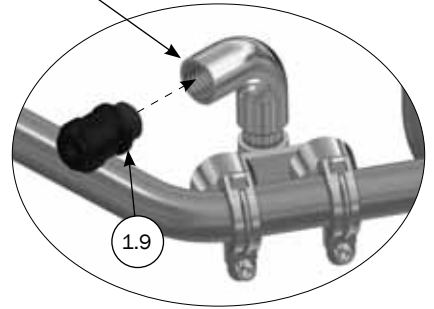
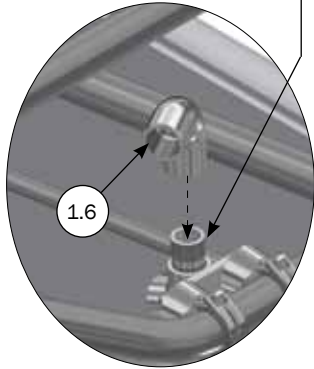
Mounting of bite nipple male thread on farrowing rail



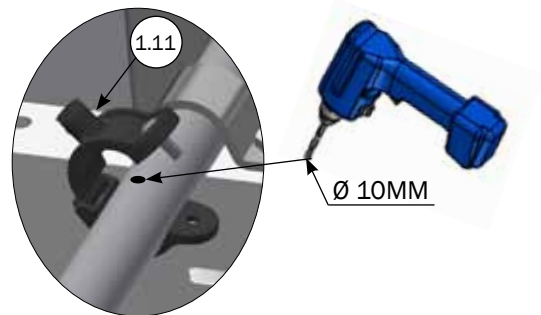
Mounting og bite nipple male thread on faworring pens



Sealings
Use thread tape or liquid sealings.



Sealings
Use thread tape or liquid sealings.



SEALINGS	
ITEM No	DESCRIPTION
29100001	THREAD TAPE 1 ROLL = 10 M
18984	LIQUID SEALING 100 ML TUBE