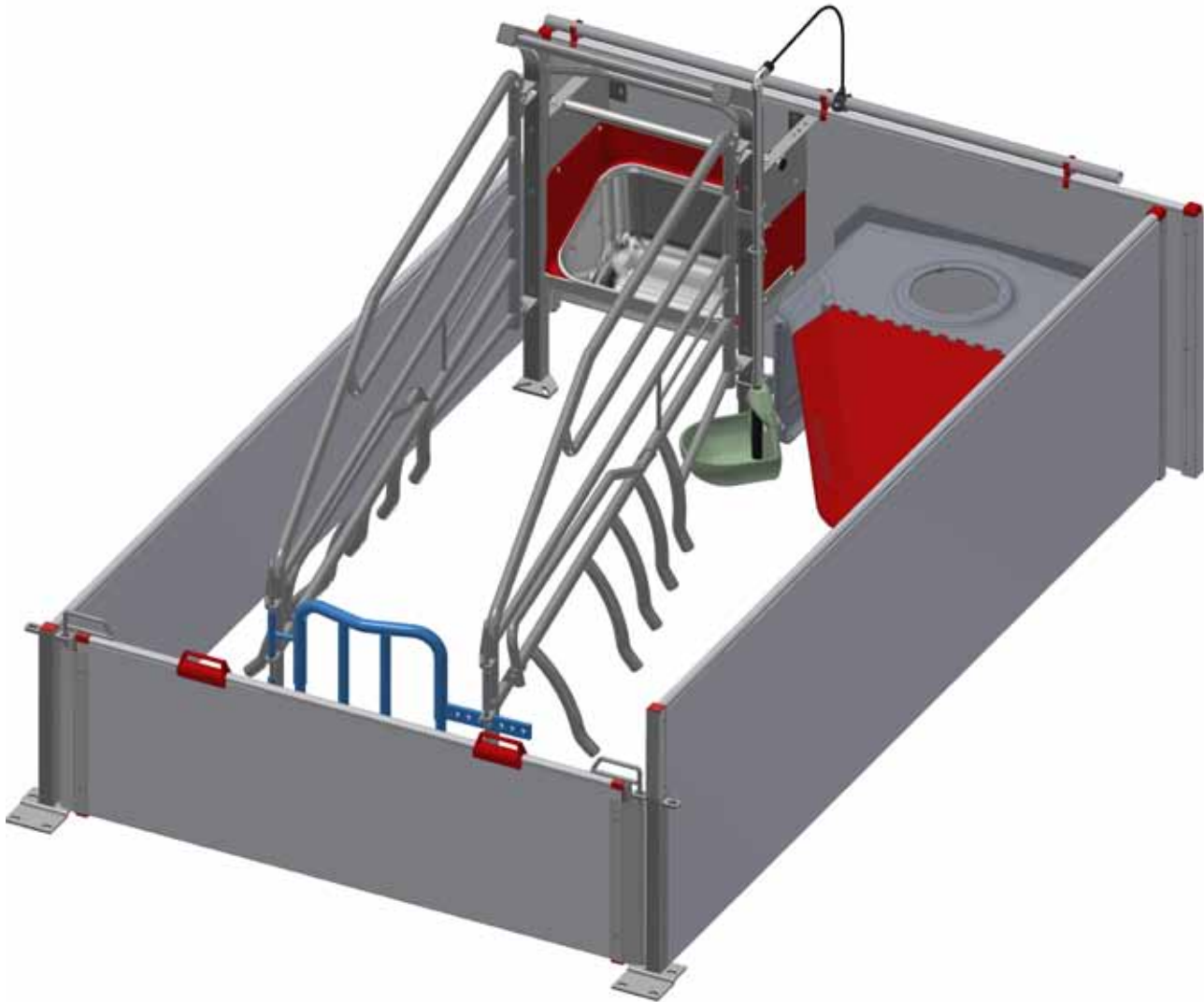


# MOUNTING INSTRUCTION



## DRINKING BOWL M20 for sow/piglet in farrowing box



**ACO FUNKI A/S**

Kirkevænget 5  
DK-7400 Herning

Tel. +45 9711 9600

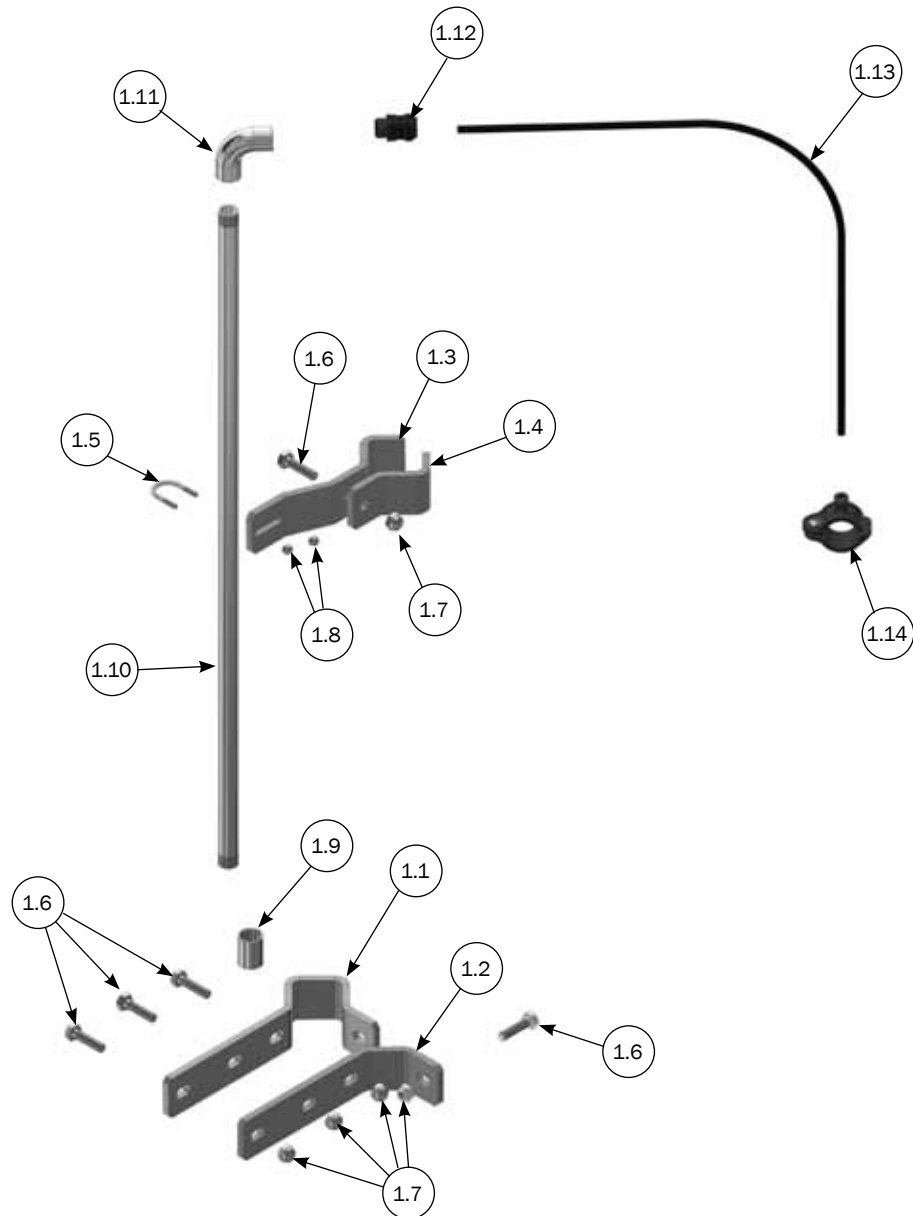
Fax +45 9711 9677

[www.acofunki.com](http://www.acofunki.com)

**FUNKI**

**DANISH DESIGN | GERMAN QUALITY | GLOBAL EXPERIENCE**

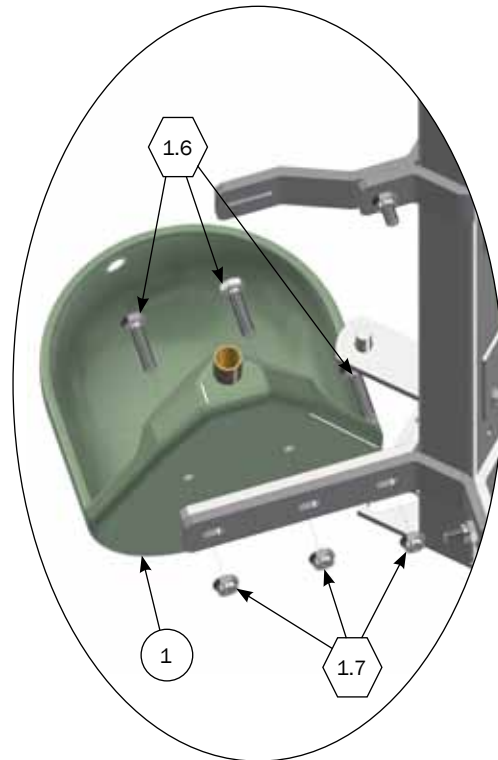
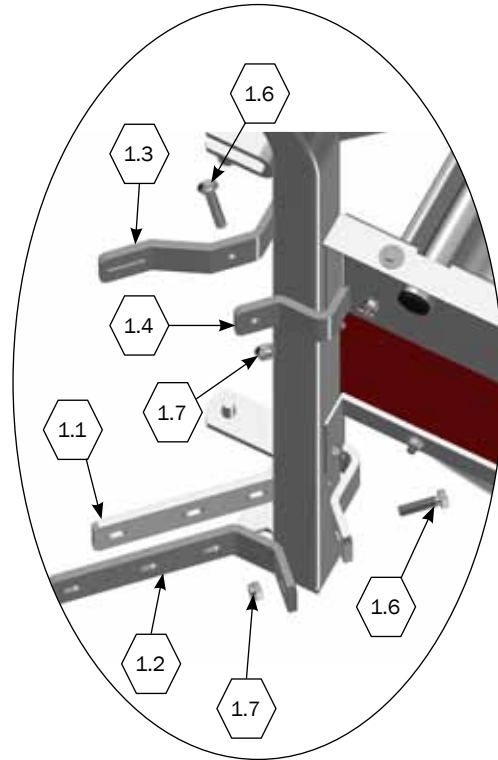
## Parts list on mounting set 50\*50 for drinking bowl M20



PARTS LIST			
No	PCS.	ITEM No	DESCRIPTION
1	1	18960	MOUNTING SET FOR DRINKING BOWL TYPE20
1.1	1	18446	DRINKING HOLDER FOR DRINKINGBOWL
1.2	1	18447	DRINK CLAMP FOR DRINKING HOLDER
1.3	1	18448	PIPE HOLDER FOR DRINKING BOWL
1.4	1	18449	PIPE CLAMP FOR PIPE HOLDER
1.5	1	18843	STAINLESS BRACKET 1/2" M6
1.6	5	30310040	SET SCREW M10X40 A2 DIN 933
1.7	5	33900029	LOCK NUT M10 A2 DIN 985
1.8	2	33596010	LOCK NUT M6 A2 DIN 985
1.9	1	12100316	1/2" STAINLESS COUPLING
1.10	1	94039	NIPPLE PIPE 1/2" STAINLESS STEEL 830 MM W/THREAD
1.11	1	12100317	1/2" STAINLESS BEND 90°
1.12	1	61124	MALE COUPLER 1/2"/8 MM
1.13	1	61012	HOSE 8 MM PE
1.14	1	61195	DRILL CLAMP PVC 10MM-32/33,7 MM

# Mounting of holder & drinking bowl M20

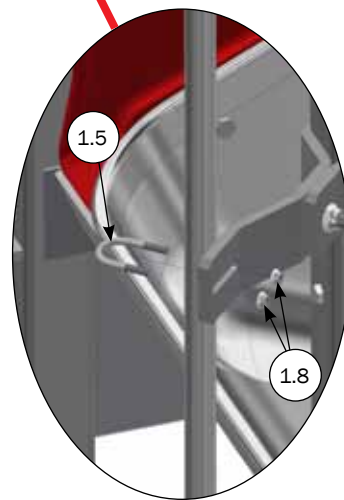
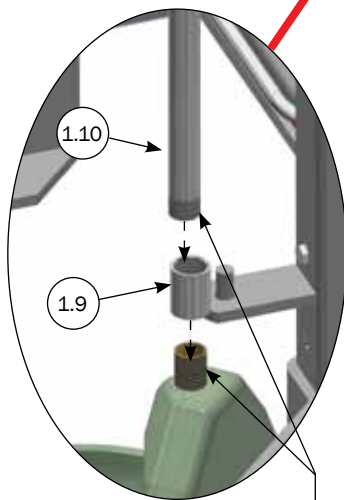
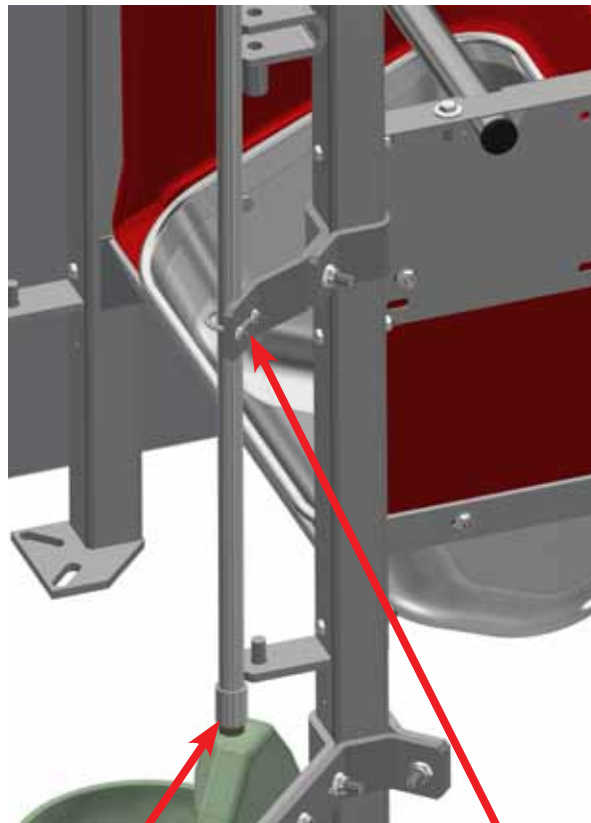
For parts list look at page 2



PARTS LIST			
No	PCS.	ITEM No	DESCRIPTION
1	1	550489	DRINKING BOWL TYPE20

## Mounting of nipple pipe & coupling

○ For parts list look at page 2



### Sealings

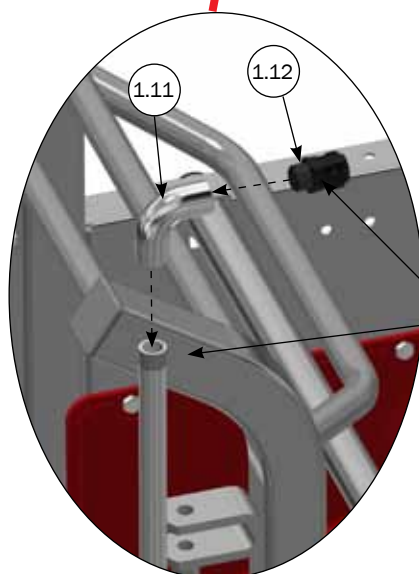
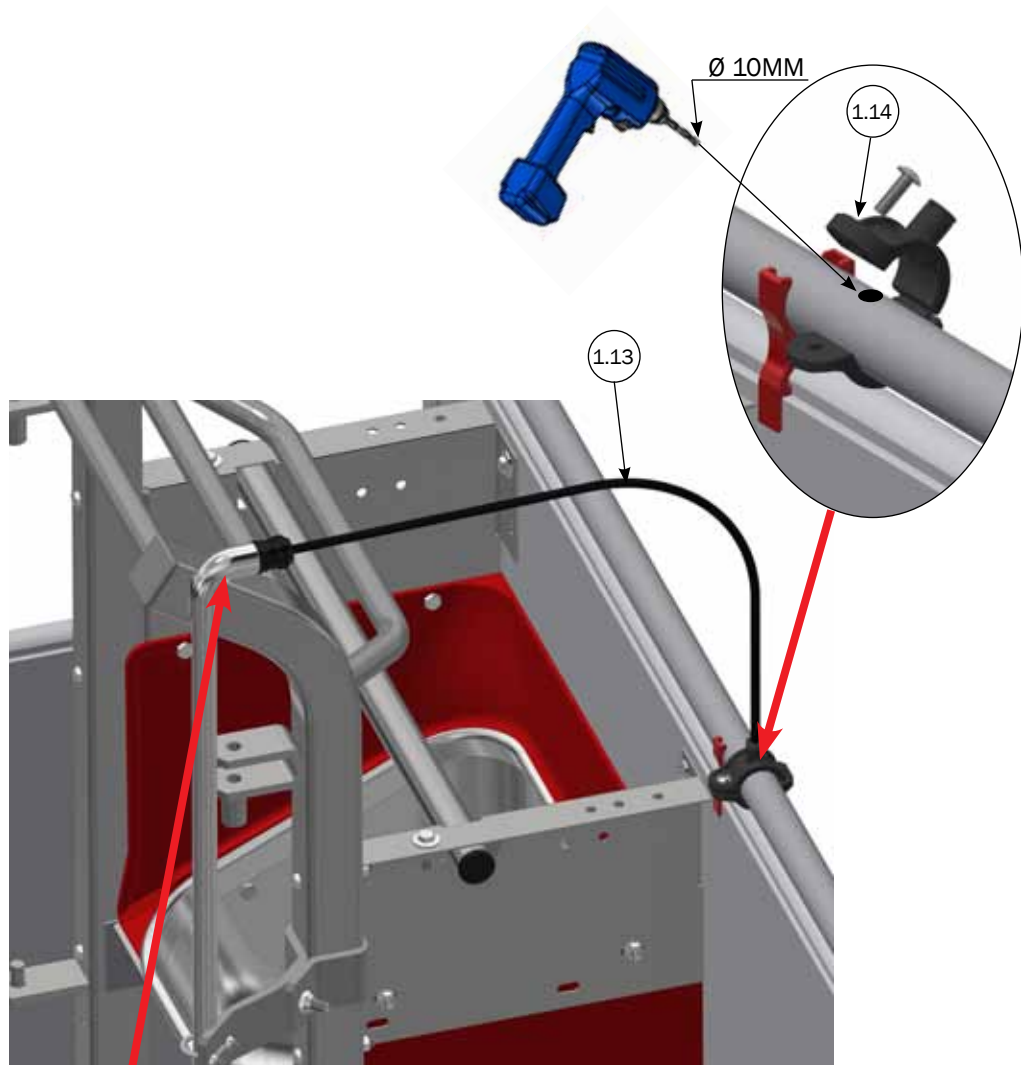
Use thread tape or liquid sealings.



SEALINGS	
ITEM No	DESCRIPTION
29100001	THREAD TAPE 1 ROLL = 10 M
18984	LIQUID SEALING 100 ML TUBE

## Mounting of male coupler & drill clamp

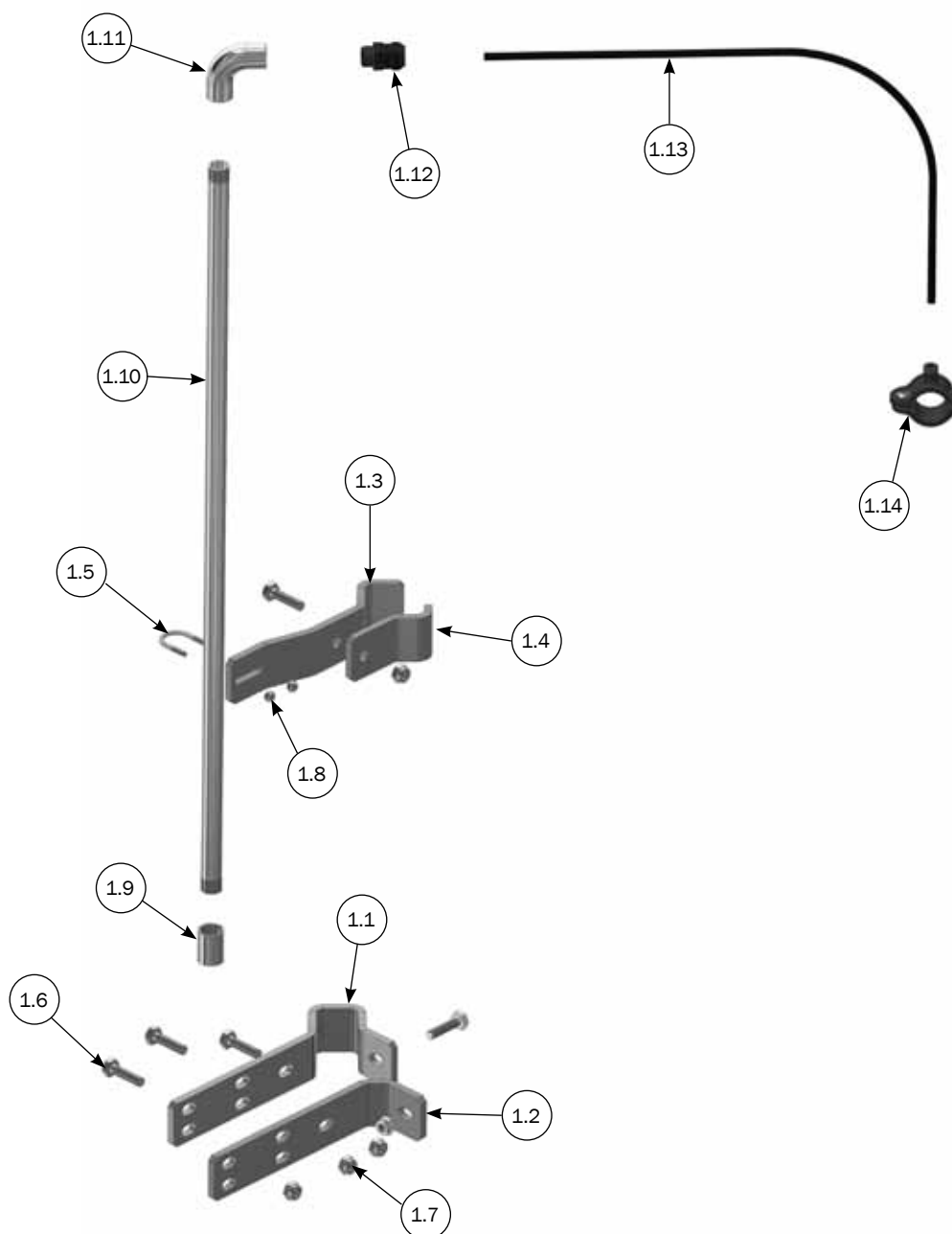
○ For parts list look at page 2



### Sealings

Use thread tape or liquid sealings.

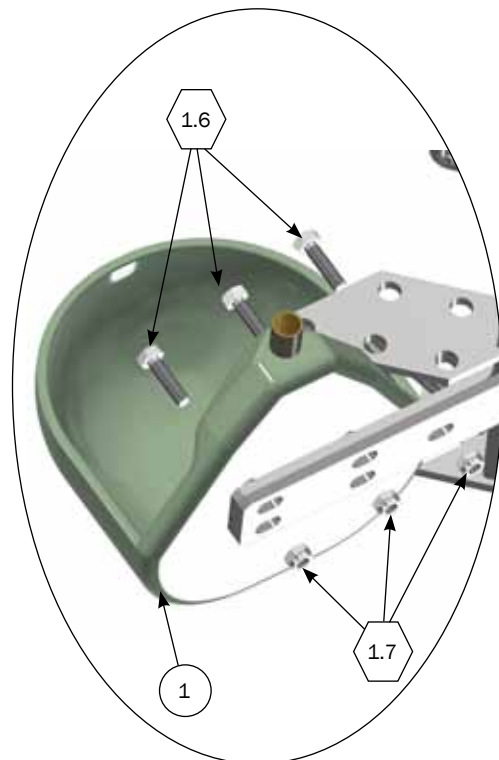
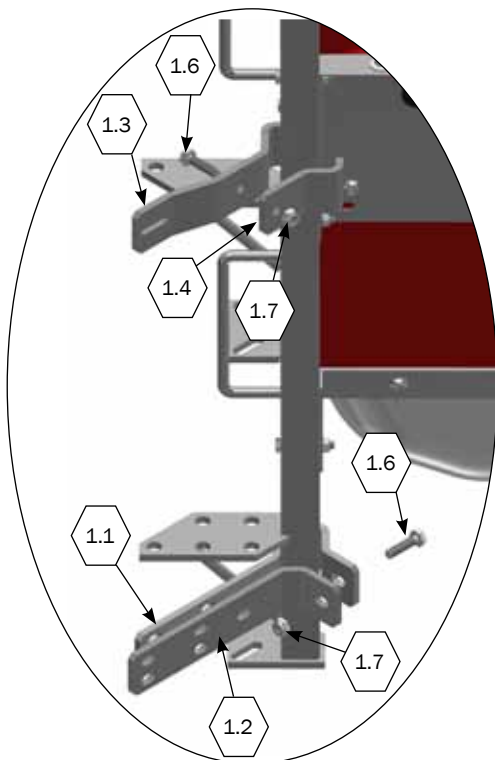
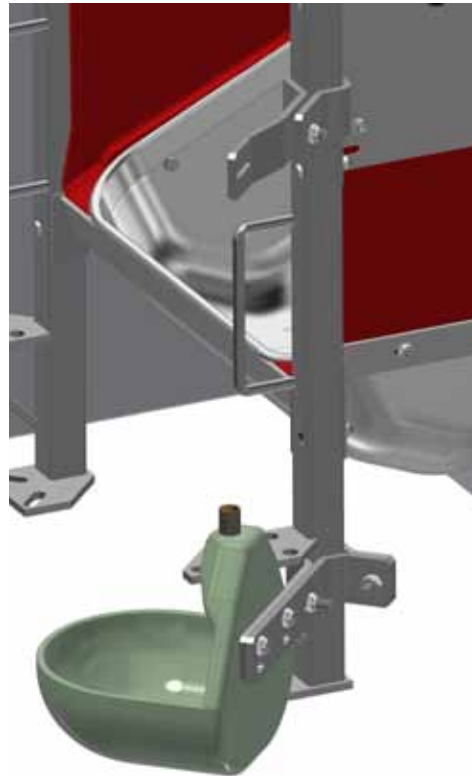
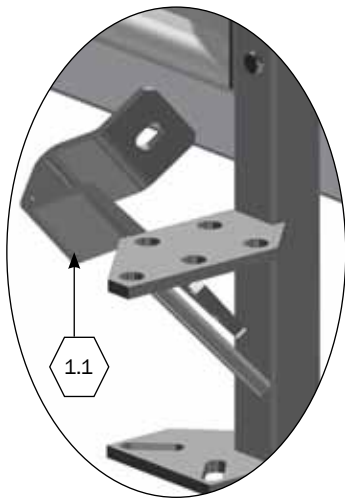
## Parts list on mounting set 40\*40 for drinking bowl type20



PARTS LIST			
No	PCS.	ITEM No	DESCRIPTION
1	1	1900510	MOUNTING SET 40*40 FOR DRINKING BOWL TYPE20
1.1	1	1920510	DRINKING HOLDER 40*40 FOR DRINKING BOWL
1.2	1	1920509	DRINK CLAMP FOR DRINKING HOLDER 40*40
1.3	1	1920508	PIPE HOLDER 40*40 FOR DRINKING BOWL
1.4	1	1920507	PIPE CLAMP FOR PIPE HOLDER 40*40
1.5	1	18843	STAINLESS BRACKET 1/2" M6
1.6	5	30310040	SET SCREW M10X40 A2 DIN 933
1.7	5	33900029	LOCK NUT M10 A2 DIN 985
1.8	2	33596010	LOCK NUT M6 A2 DIN 985
1.9	1	12100316	1/2" STAINLESS COUPLING
1.10	1	94039	NIPPLE PIPE 1/2" STAINLESS STEEL 830 MM W/THREAD
1.11	1	12100317	1/2" STAINLESS BEND 90°
1.12	1	61124	MALE COUPLER 1/2"/8 MM
1.13	1	61012	HOSE 8 MM PE
1.14	1	61195	DRILL CLAMP PVC 10MM-32/33,7 MM

# Mounting of holder 40\*40 & drinking bowl type20

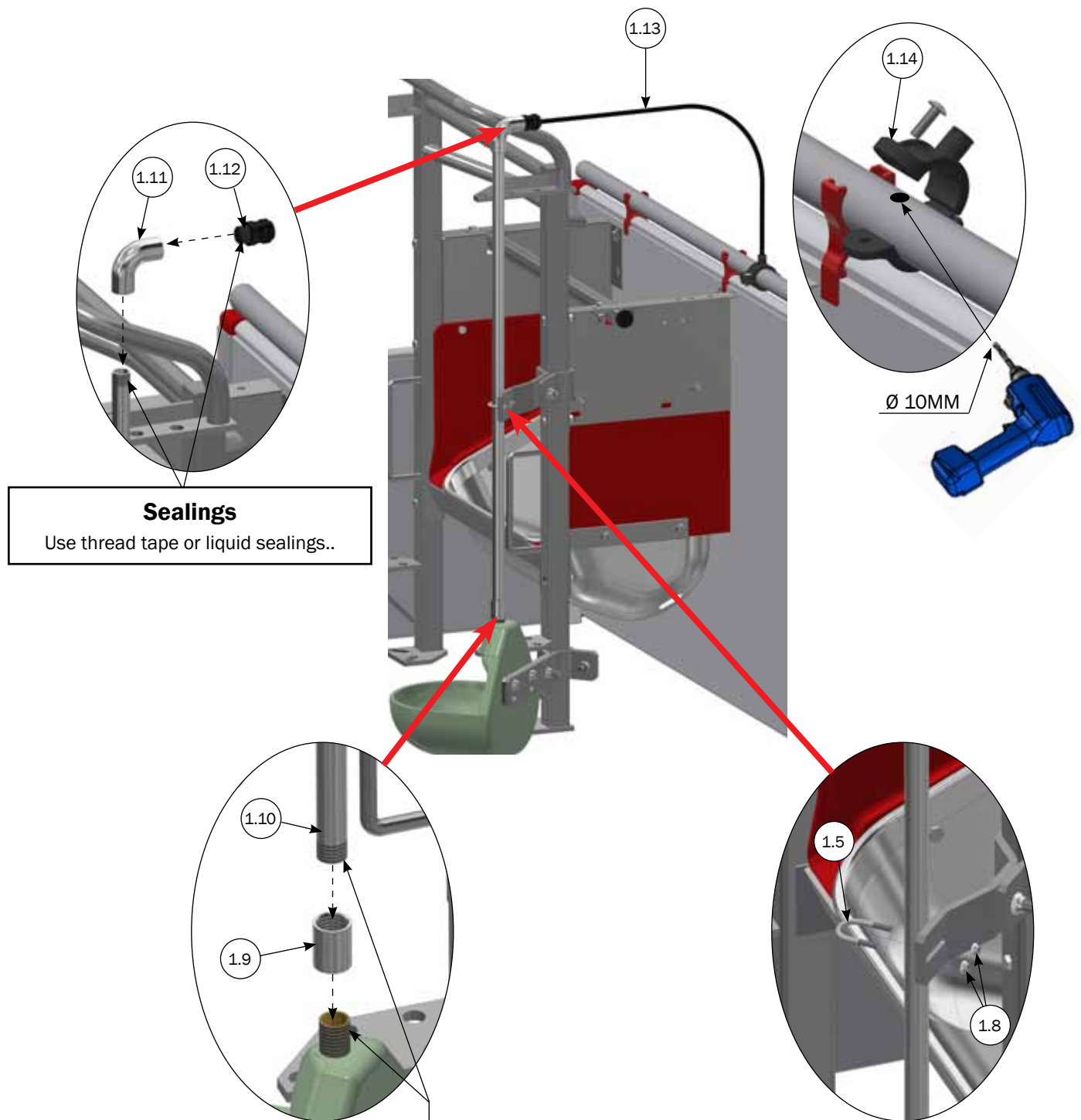
⬡ For parts list look at page 6



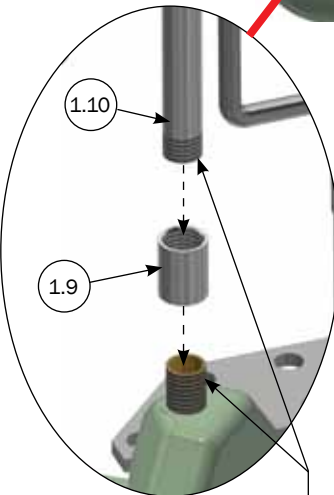
PARTS LIST			
No	PCS.	ITEM No	DESCRIPTION
1	1	550489	DRINKING BOWL TYPE20

# Mounting of nipple pipe & drill clamp

○ For parts list look at page 6



**Sealings**  
Use thread tape or liquid sealings..



**Sealings**  
Use thread tape or liquid sealings.



SEALINGS	
ITEM No	DESCRIPTION
29100001	THREAD TAPE 1 ROLL = 10 M
18984	LIQUID SEALING 100 ML TUBE