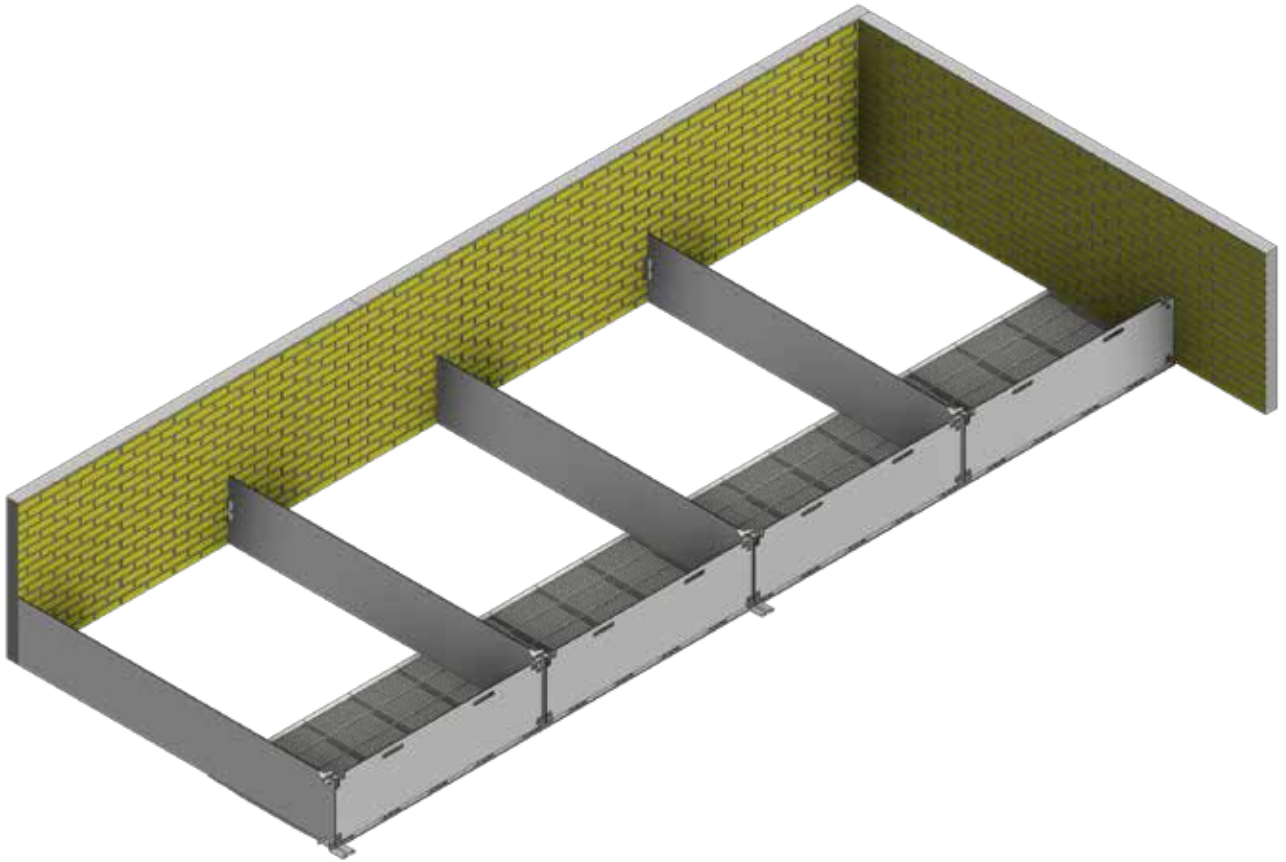


# MOUNTING INSTRUCTION



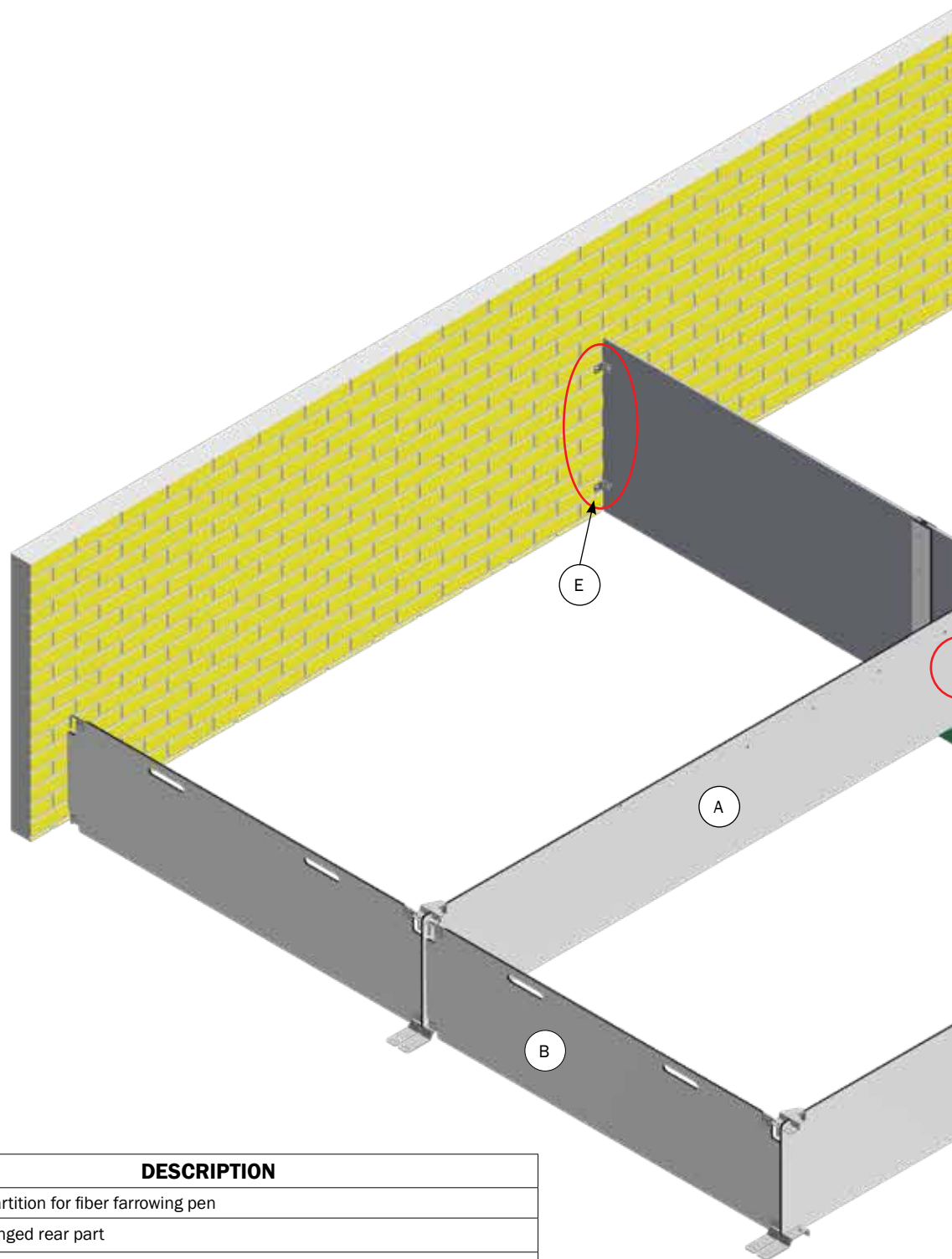
## FIBER FARROWING PEN BOX



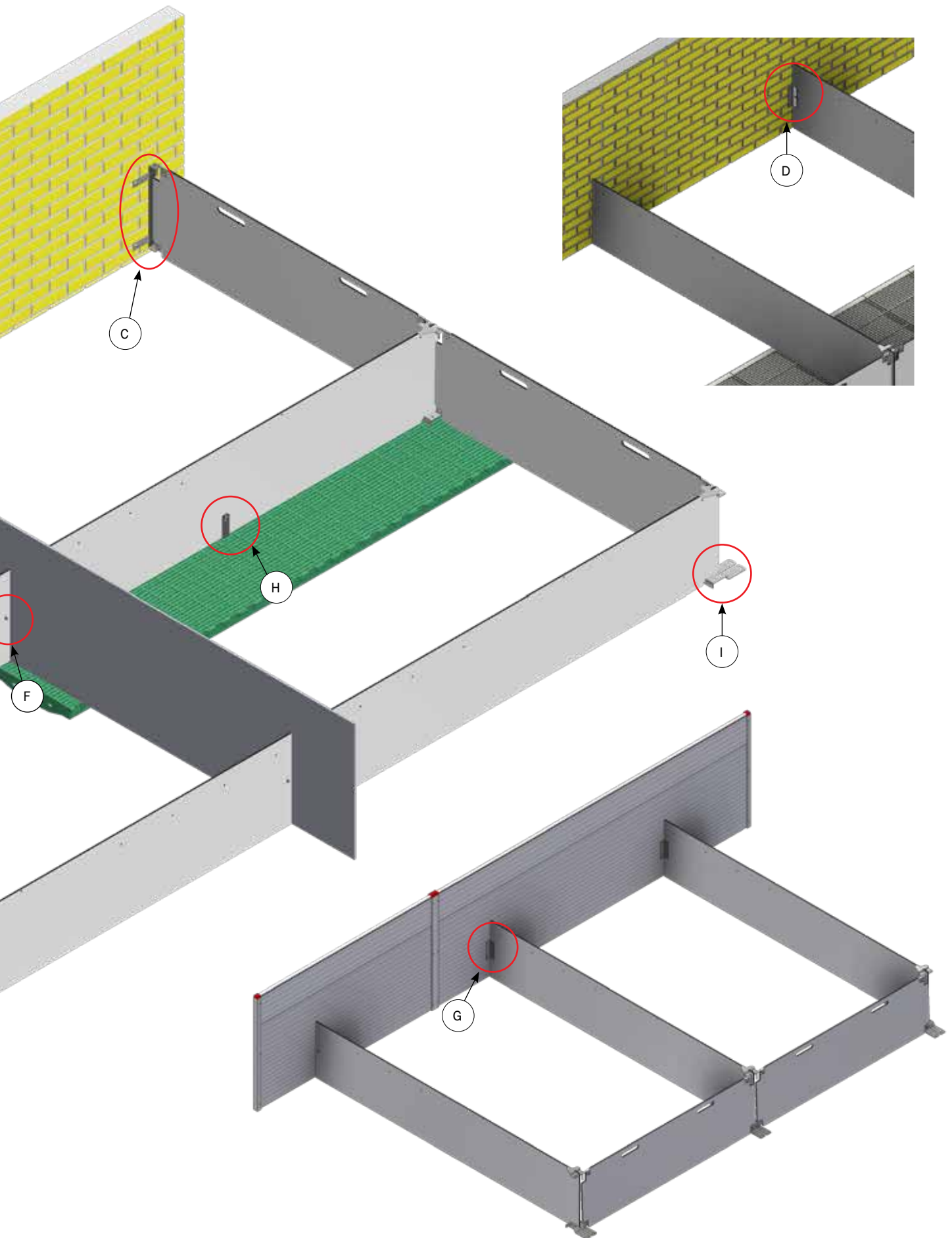
**ACO FUNKI A/S**  
Kirkevænget 5  
DK-7400 Herning

Tel. +45 9711 9600  
Fax +45 9711 9677  
[www.acofunki.com](http://www.acofunki.com)

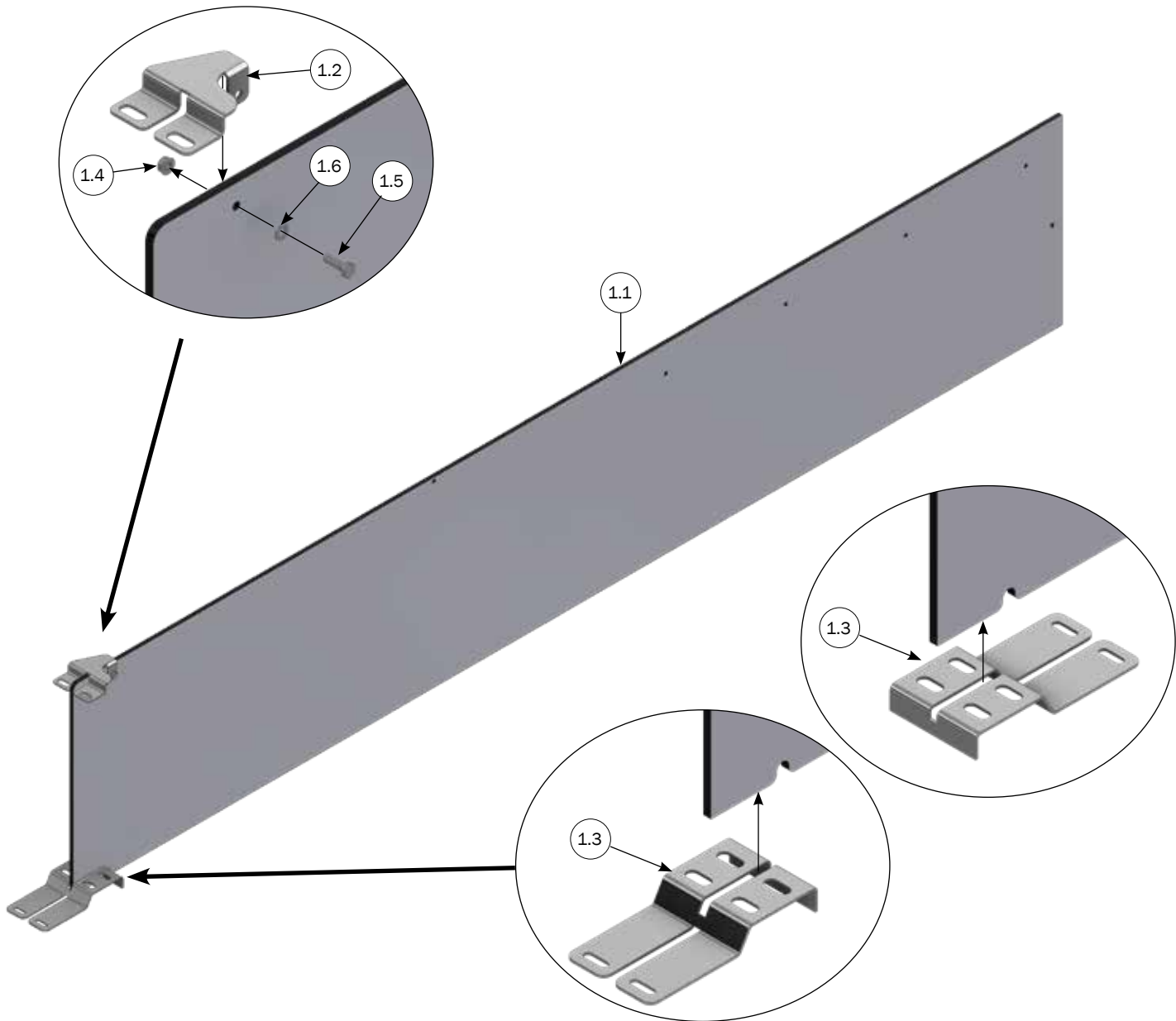
**DANISH DESIGN | GERMAN QUALITY | GLOBAL EXPERIENCE**



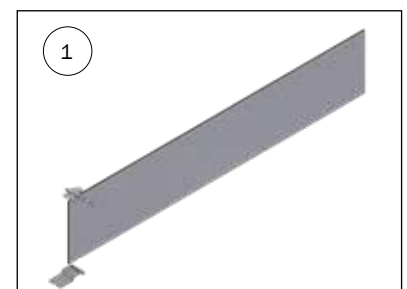
NO	PAGE	DESCRIPTION
A	4	Parts list for partition for fiber farrowing pen
B	5-6	Parts list for hinged rear part
C	7	Mounting of bracket for hinged rear part against the wall
D	8	Mounting of fiber farrowing pen against the wall
E	9	Montage af fiber-washingwall against the wall
F	10	Mounting of farrowing pen single/double against fiber plate
G	11	Mounting of farrowing pen single/double against board profile
H	12	Stabilization of farrowing pen in plastic slat
I	13	Mounting of farrowing pen in the floor concrete/plastic
J	14-15	Parts list for mounting in the floor



## Partition for fiber farrowing pen box H500 2500-3000 MM



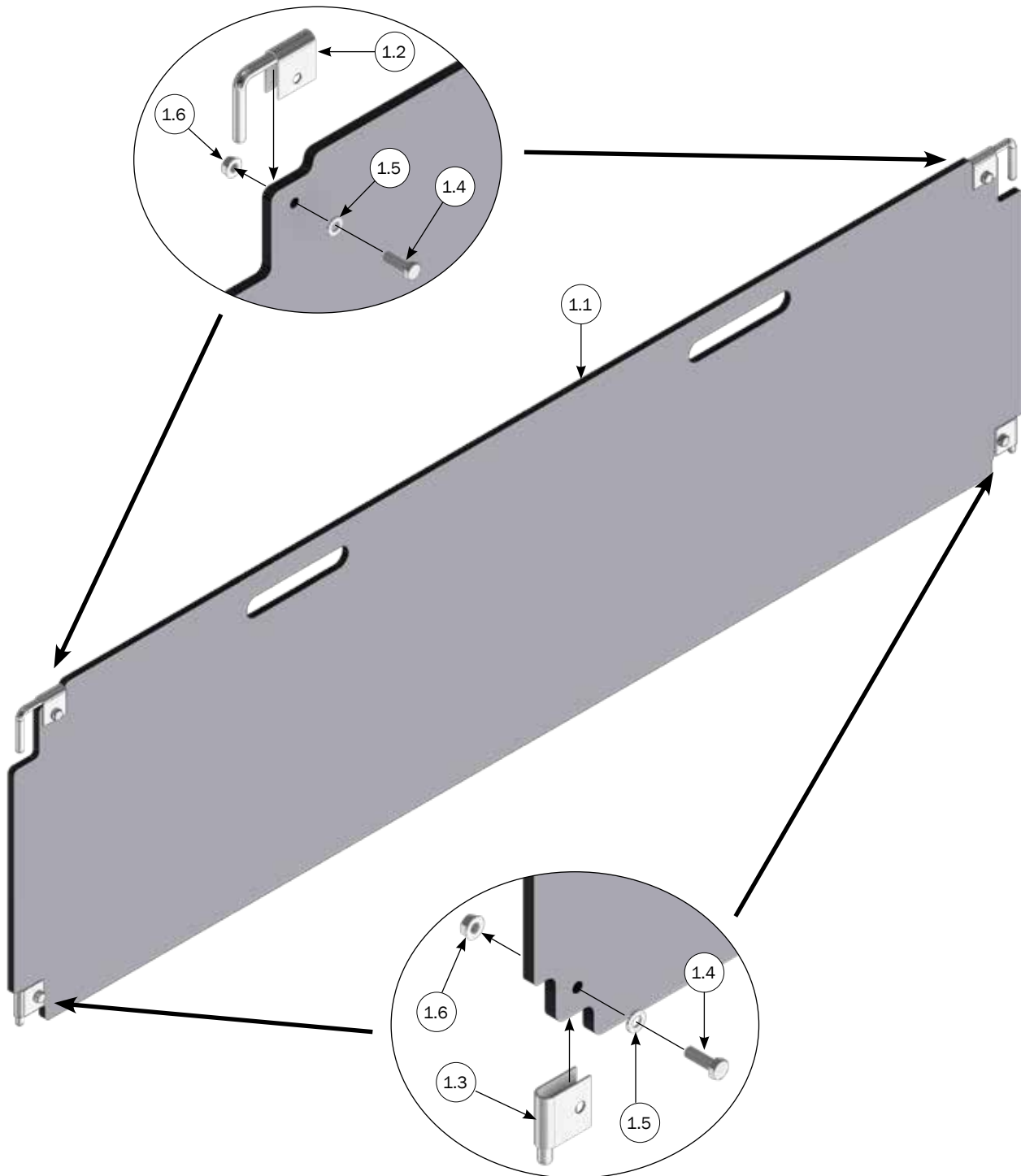
PARTS LIST			
NO.	PCS.	ITEM NO.	DESCRIPTION
1	1	2100660	PARTITION FOR FIBER FARROWING PEN
*1.1	1	8470125	PARTITION H500 PLATE 2500-3000 MM FOR FIBER FARROWING PEN WITH FIBER PIGLET NEST
*1.1			PARTITION H500 PLATE 2500-3000 MM FOR FIBER FARROWING PEN WITH INN-O-CORNER
*1.1			PARTITION H500 PLATE 2500-3000 MM FOR FIBER FARROWING PEN PLATE FOR THE OPPOSITE SIDE OF THE NEST
1.2	1	2150651	LOWER HINGE STAINLESS STEEL FOR REAR GATE FARROWING PEN
1.3	1	2150635	FOUNDATION PLATE FOR FIBER FARROWING PEN
1.4	1	68552	M8 FLANGE NUT DIN 6923 A2
1.5	1	30308025	SET SCREW M8X25 A2 DIN 933
1.6	1	35600037	FLAT WASHER Ø8X8,4/16/1,6 A2 DIN 125 A



\* When ordering, please note the type of piglet nest.

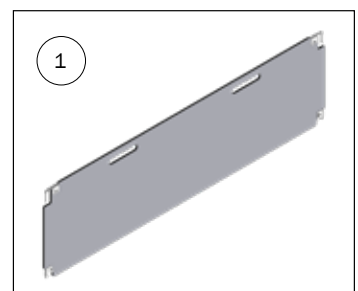
M-6226\_GB

## Hinged rear gate for fiber farrowing pen box H500 1600-2000 MM

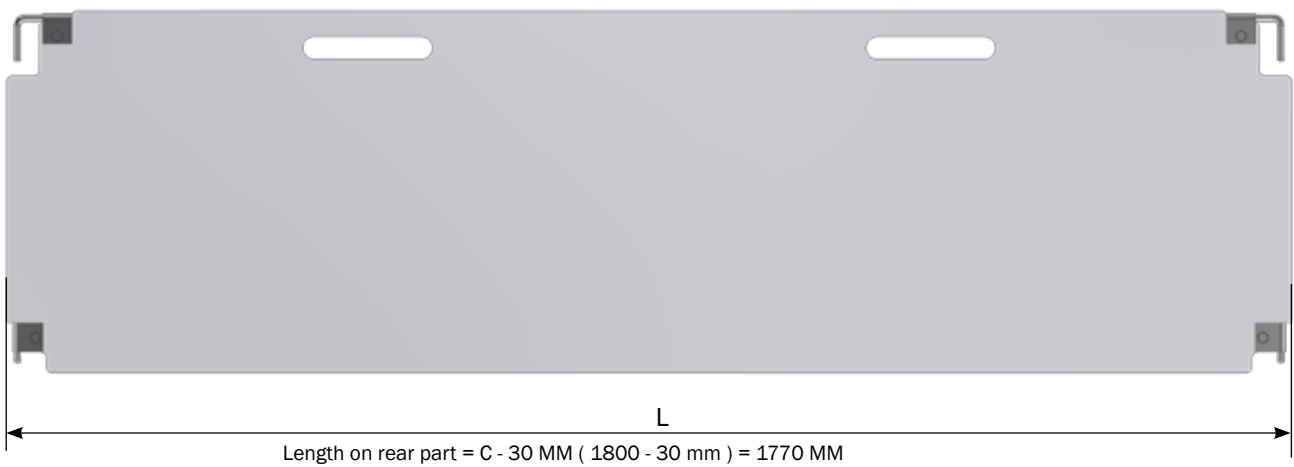
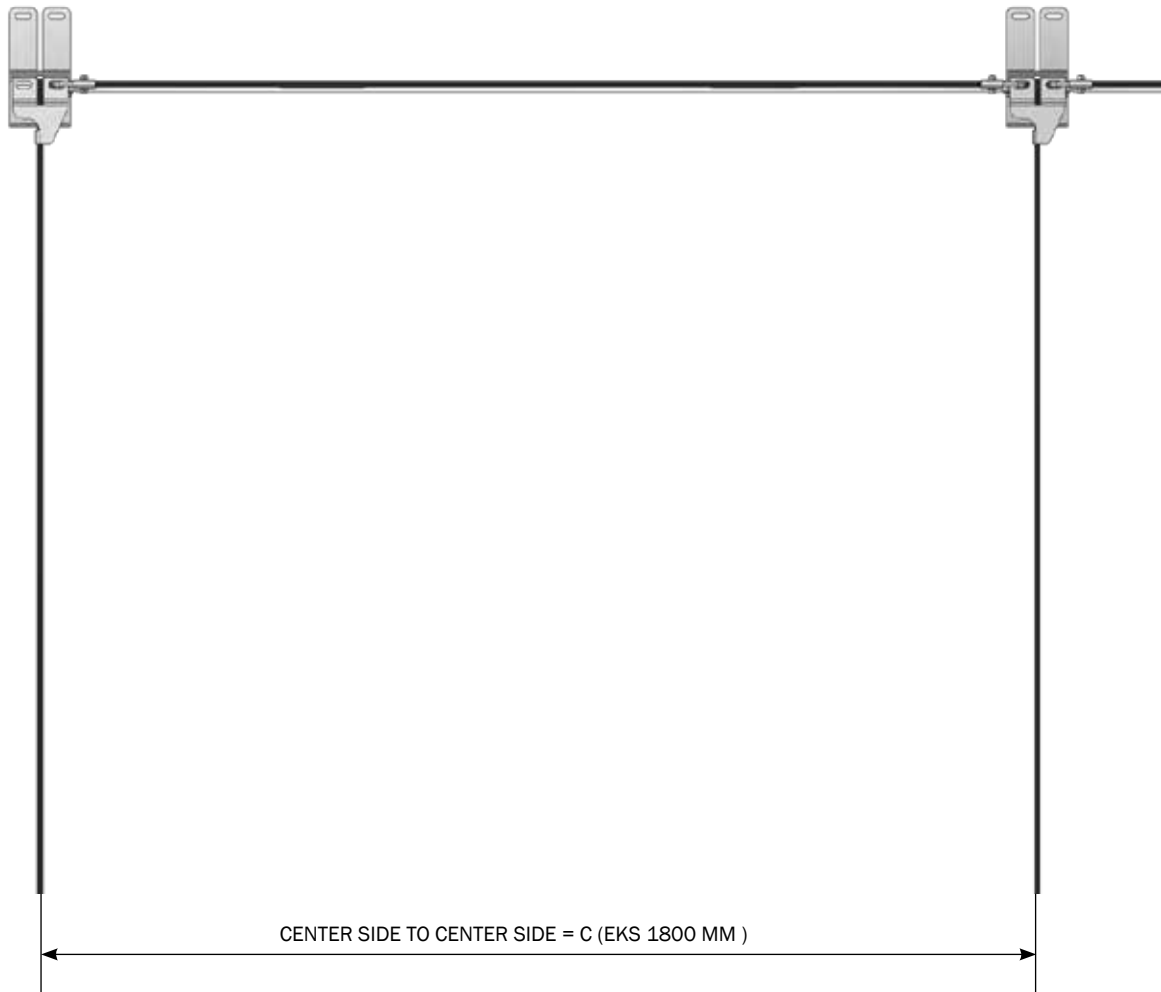


### PARTS LIST

NO.	PCS.	ITEM NO.	DESCRIPTION
1	1	2110665	HINGED REAR PART H500 PLATE 1600-2000 MM FOR FIBER FARROWING PEN
1.1	1	8470121	REAR GATE H500 PLATE 1600-2000 MM FOR FIBER FARROWING
1.2	2	2150633	SS UPPER HINGE FOR REAR GATE FARROWING PEN
1.3	2	2150634	SS LOWER HINGE FOR REAR GATE FARROWING PEN
1.4	4	30308025	SET SCREW M8X25 A2 DIN 933
1.5	4	35600037	FLAT WASHER Ø8X8,4/16/1,6 A2 DIN 125 A
1.6	4	68552	M8 FLANGE NUT DIN 6923 A2

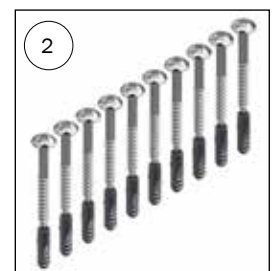
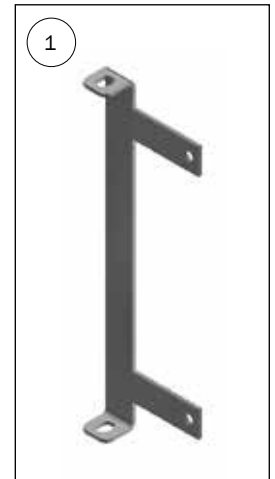
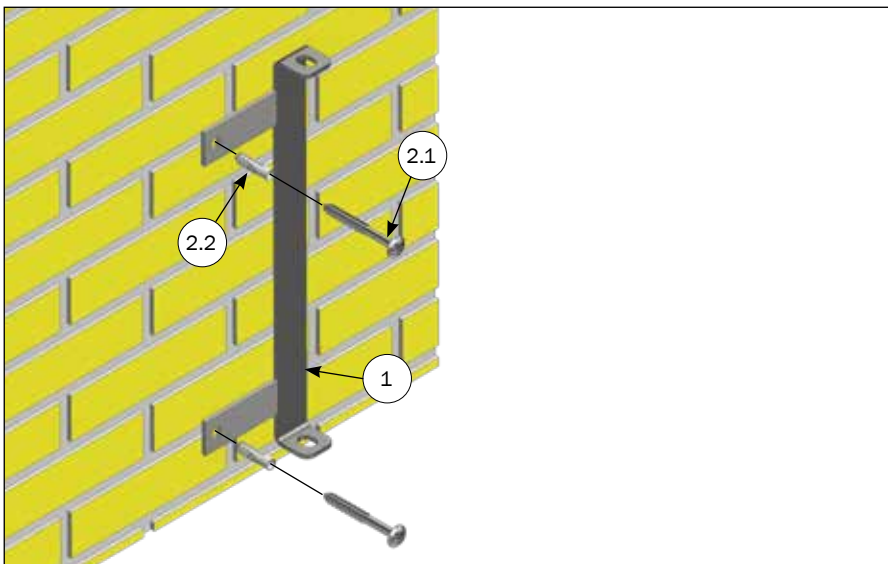
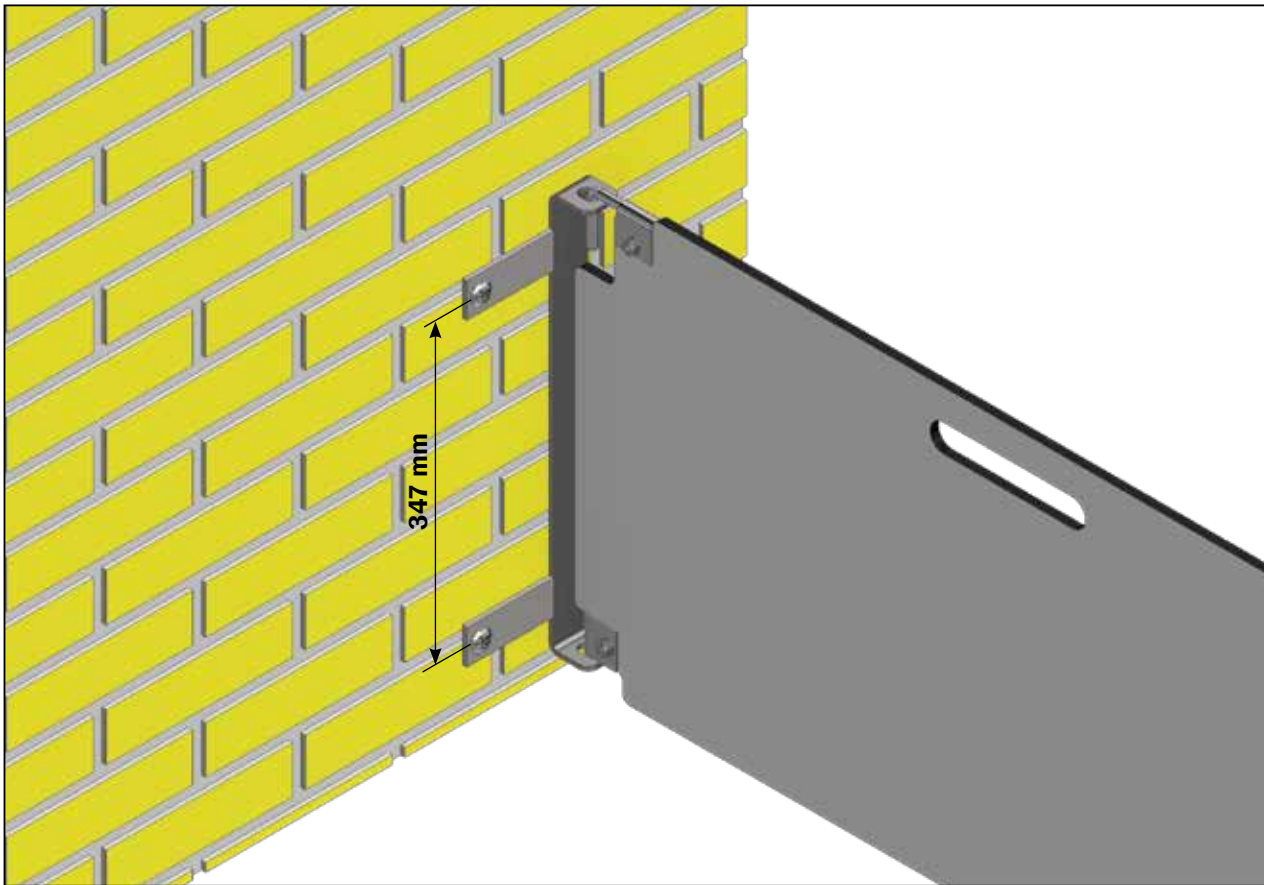


## Measurement of hinged rear gate from partition to partition





## Mounting of bracket for hinged rear gate against the wall



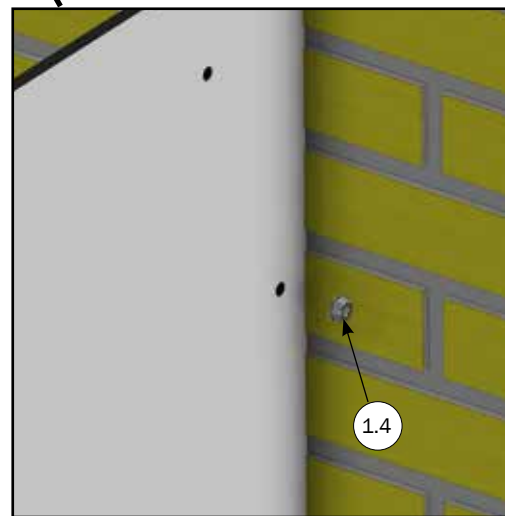
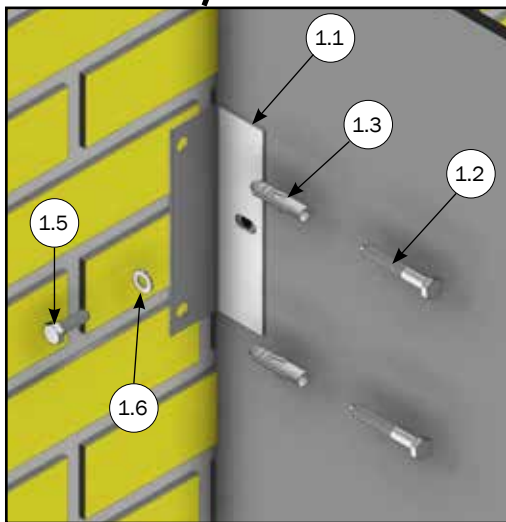
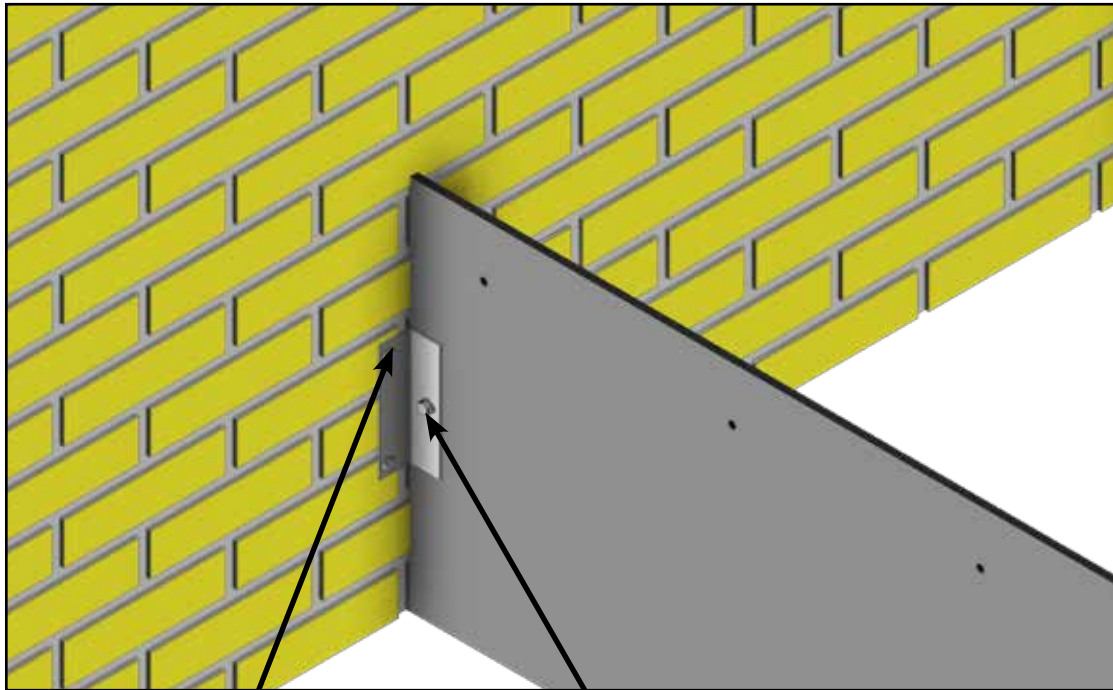
### PARTS LIST

NO.	PCS.	ITEM NO.	DESCRIPTION
1	1	2150629	WALL FITTINGS FOR REAR GATE FIBER FARROWING PEN STAINLESS STEEL
*2	1	4800010	10 PCS. SS BUTTON HEAD SCREWS10X70 + WALL PLUG
2.1	2(10)	67444	10 X 70 BUTTON HEAD TORX 50 STAINLESS STEEL
2.2	2(10)	39900001	WALL PLUG 12X60 MM

\* Ordered separately

M-6226\_GB

## Mounting of farrowing pen against the wall

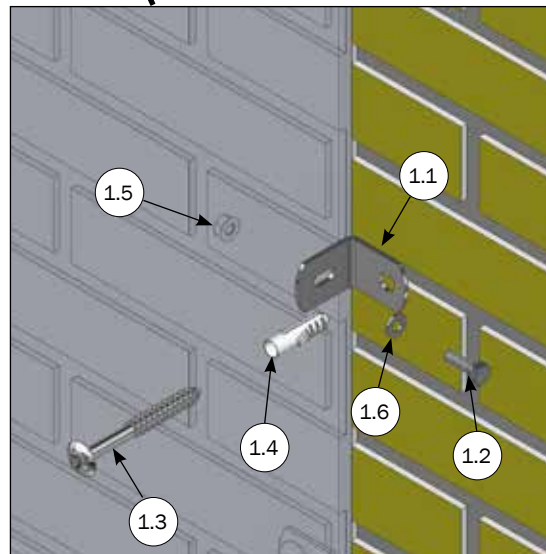
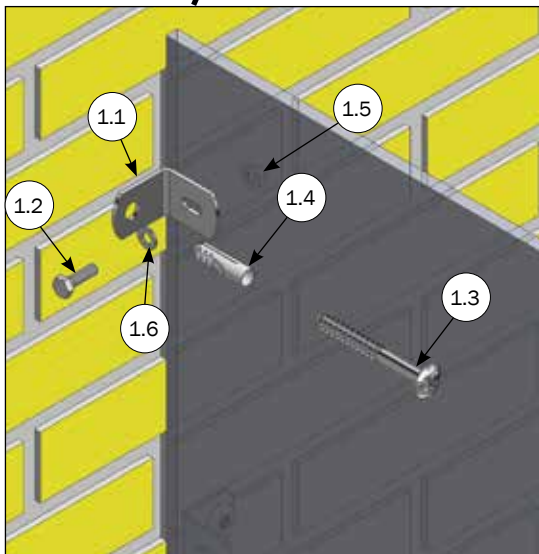
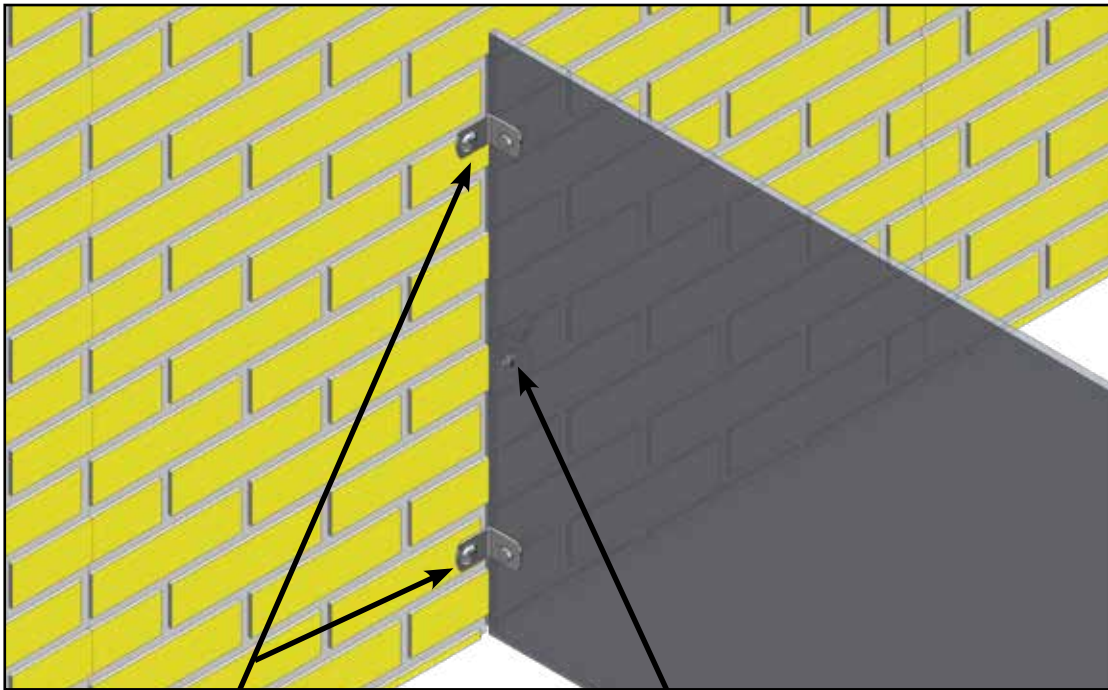


PARTS LIST			
NO.	PCS.	ITEM NO.	DESCRIPTION
1	1	2900639	MOUNTING KIT FOR SIDE PLATE AGAINST WAL
1.1	3	2150260	ANGLE BRACKET FOR FARROWING
1.2	3	34908061	COUCH SCREW M8X60 A2 DIN 571
1.3	3	39900120	WALL PLUG 10X50MM
1.4	3	68552	M8 FLANGE NUT DIN 6923 A2
1.5	3	30308025	SET SCREW M8X25 A2 DIN 933
1.6	3	35600037	FLAT WASHER Ø8X8,4/16/1,6 A2 DIN 125 A



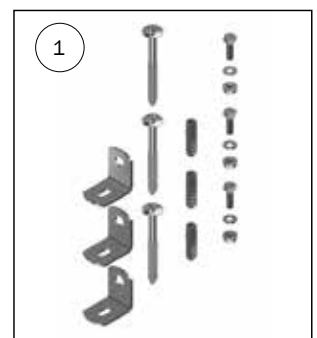


## Mounting of washing wall against the wall

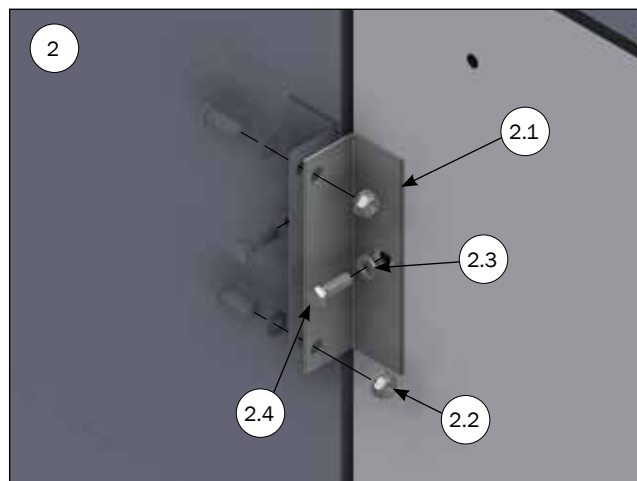
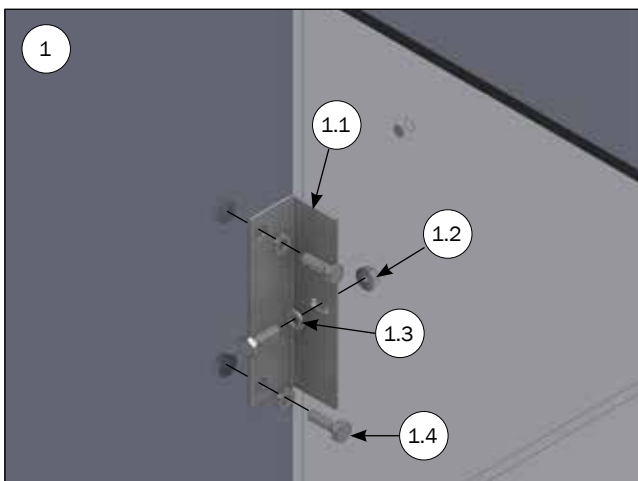
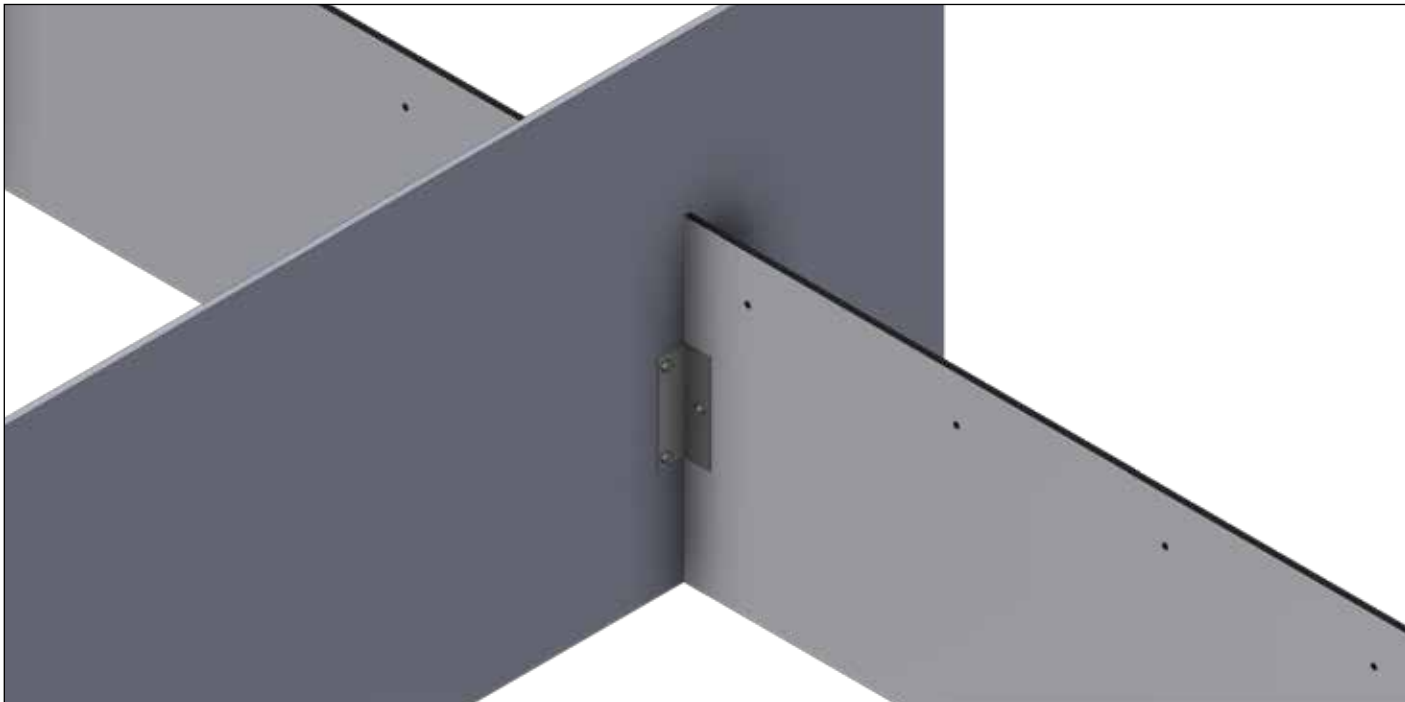


### PARTS LIST

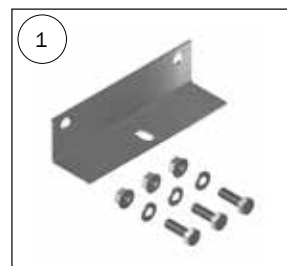
NO.	PCS.	ITEM NO.	DESCRIPTION
1	1	4500661	MOUNTING KIT FOR PARTITION AGAINST WALL
1.1	3	30906	WALL BRACKET ANGLE/PANEL
1.2	3	68552	M8 FLANGE NUT DIN 6923 A2
1.3	3	67444	10 X 70 BUTTON HEAD TORX 50 STAINLESS STEEL
1.4	3	39900001	WALL PLUG 12X60 MM
1.5	3	30308025	SET SCREW M8X25 A2 DIN 933
1.6	3	35600037	FLAT WASHER Ø8X8,4/16/1,6 A2 DIN 125 A



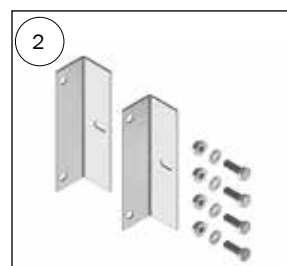
## Mounting of partition single/double against fiber plate



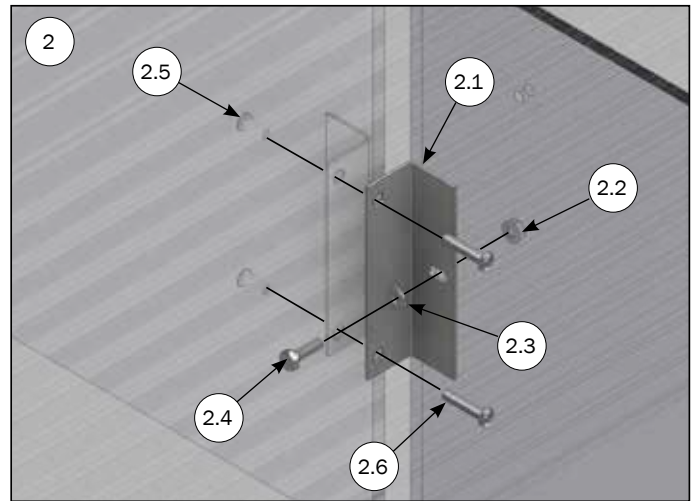
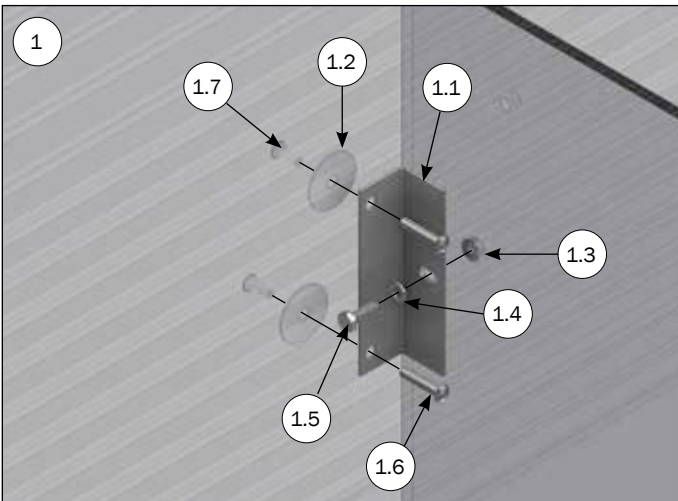
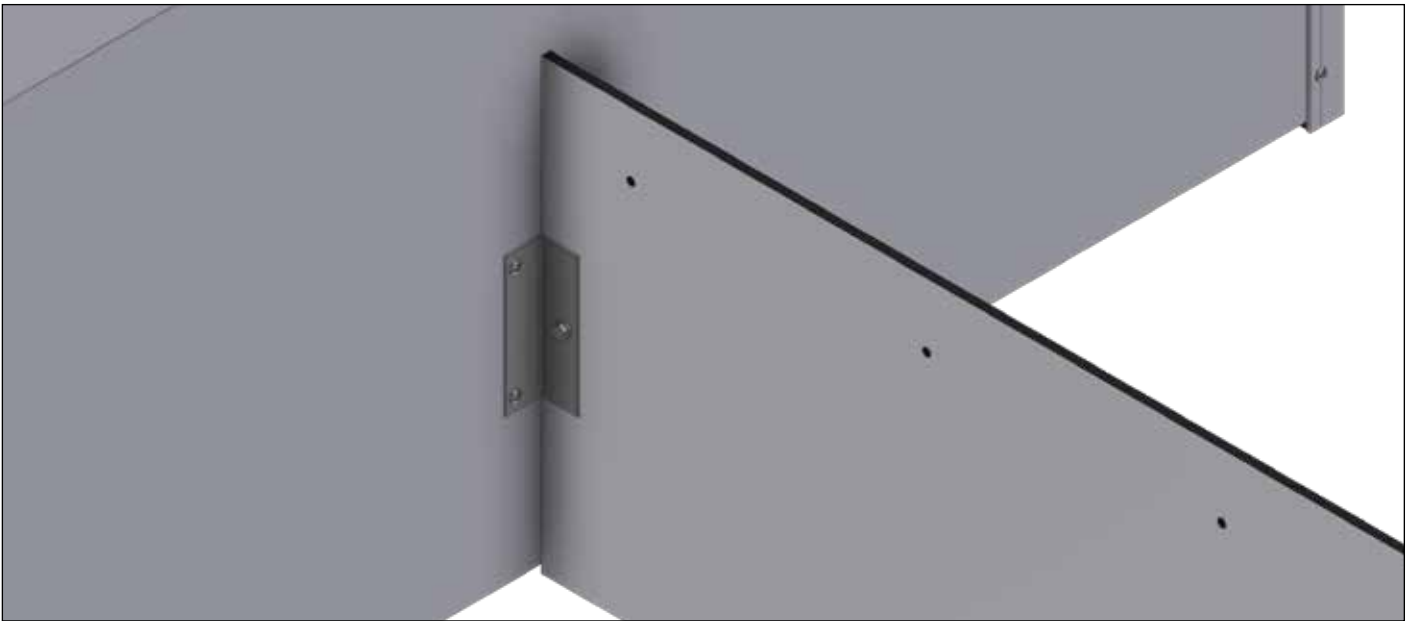
PARTS LIST			
NO.	PCS.	ITEM NO.	DESCRIPTION
1	1	2900636	MOUNTING KIT FOR SIDE PLATE AGAINST FIBER WASHING WALL, SINGLE
1.1	1	2150260	ANGLE BRACKET FOR FARROWING
1.2	3	68552	M8 FLANGE NUT DIN 6923 A2
1.3	3	35600037	FLAT WASHER Ø8X8,4/16/1,6 A2 DIN 125 A
1.4	3	30308025	SET SCREW M8X25 A2 DIN 933



PARTS LIST			
NO.	PCS.	ITEM NO.	DESCRIPTION
2	1	2900638	MOUNTING KIT FOR SIDE PLATE AGAINST FIBER WASHING WALL, DOUBLE
2.1	2	2150260	ANGLE BRACKET FOR FARROWING
2.2	4	68552	M8 FLANGE NUT DIN 6923 A2
2.3	4	35600037	FLAT WASHER Ø8X8,4/16/1,6 A2 DIN 125 A
2.4	4	30308025	SET SCREW M8X25 A2 DIN 933



## Mounting of partition single/double against board profile

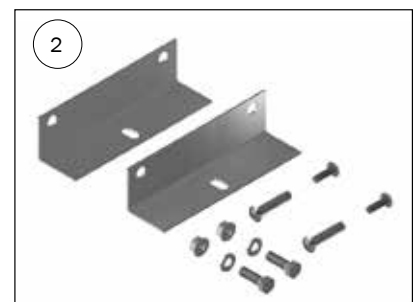
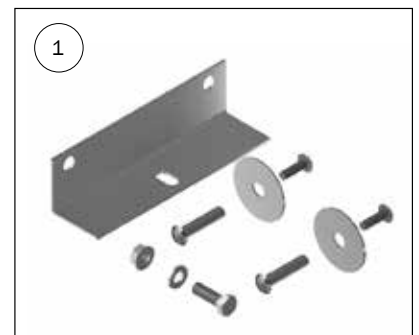


### PARTS LIST

NO.	PCS.	ITEM NO.	DESCRIPTION
1	1	2900635	MOUNTING KIT FOR SIDE PLATE AGAINST BOARDPROFILE, SINGLE
1.1	1	2150260	ANGLE BRACKET FOR FARROWING
1.2	2	20037	MASTER CLAMP WASHER Ø10,5/45 1,5 A2
1.3	1	68552	M8 FLANGE NUT DIN 6923 A2
1.4	1	35600037	FLAT WASHER Ø8X8,4/16/1,6 A2 DIN 125 A
1.5	1	30308025	SET SCREW M8X25 A2 DIN 933
1.6	2	39106020	CONNECTION SCREW M6X20 STAINLESS TORX 30
1.7	2	39206037	SPLICING SLEEVE M6X37 STAINLESS TORX 30

### PARTS LIST

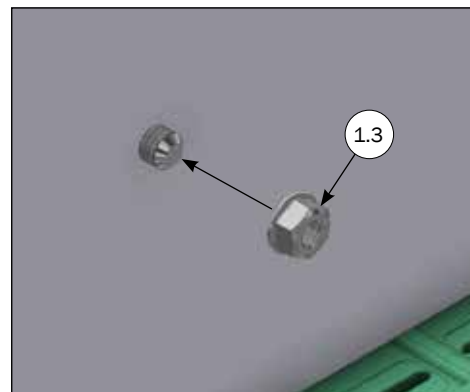
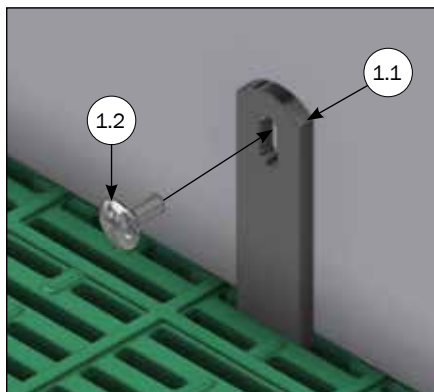
NO.	PCS.	ITEM NO.	DESCRIPTION
2	1	2900637	MOUNTING KIT FOR SIDE PLATE AGAINST BOARDPROFILE, DOUBLE
2.1	2	2150260	ANGLE BRACKET FOR FARROWING
2.2	2	68552	M8 FLANGE NUT DIN 6923 A2
2.3	2	35600037	FLAT WASHER Ø8X8,4/16/1,6 A2 DIN 125 A
2.4	2	30308025	SET SCREW M8X25 A2 DIN 933
2.5	2	39106020	CONNECTION SCREW M6X20 STAINLESS TORX 30
2.6	2	39206037	SPLICING SLEEVE M6X37 STAINLESS TORX 30



## Mounting of stabilizer bracket in plastic slat and side for fiber farrowing pen



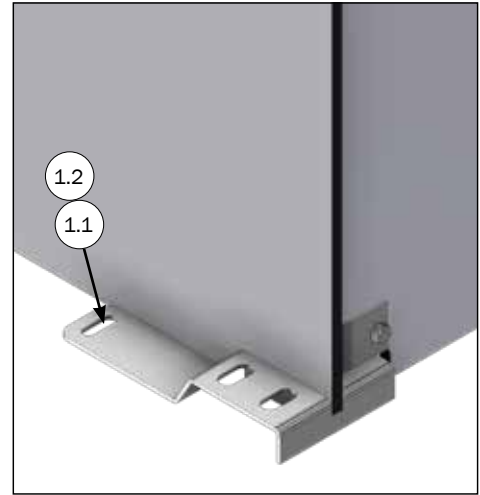
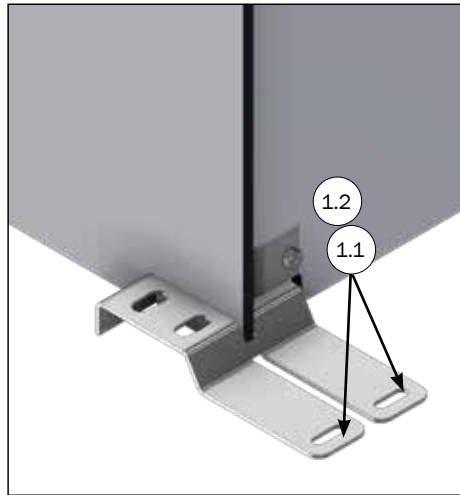
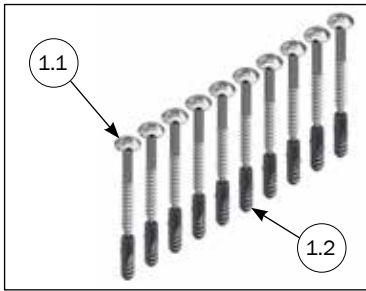
Bracing structure is placed in center of partition panel  $\pm 100$  mm  
Is mounted on all partitions.



PARTS LIST			
NO.	PCS.	ITEM NO.	DESCRIPTION
1	1	2900640	STABILIZER BRACKET FOR SIDE FIBER FARROWING PEN
1.1	1	4915099	BRACING FOR BOARDPROFILE
1.2	1	36310025	MUSHROOMHEADED BOLT M10X25 A2DIN 603
1.3	1	33900029	LOCK NUT M10 A2 DIN 985



## Mounting of farrowing pen in concrete floor



PARTS LIST			
NO.	PCS.	ITEM NO.	DESCRIPTION
1	1	4800010	10 PCS. SS BUTTON HEAD SCREWS 10X70 + WALL PLUG
1.1	2 (10)	67444	10 X 70 BUTTON HEAD TORX 50 STAINLESS STEEL
1.2	2 (10)	39900001	WALL PLUG 12X60 MM

## Mounting of farrowing pen in plastic slat



Combinations option for bolt-on fittings. (Positions no. see page 14-15)

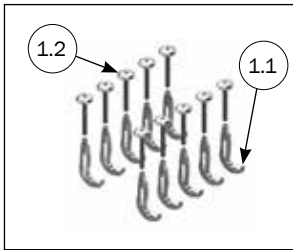
1	A, B, C, D, E, F
2	G, H, J, K, L

<b>Not recommended</b>	
1	G, H, J, K, L
2	G, H, J, K, L



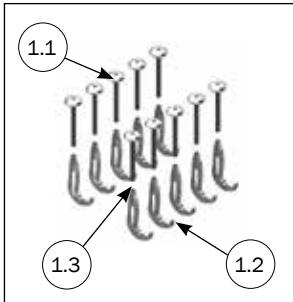
## Mounting to floor

Pos. nr



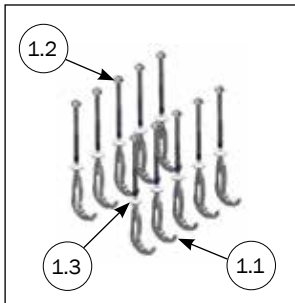
PARTS LIST			
NO.	PCS.	ITEM NO.	DESCRIPTION
	1	4800025	10 PIECE ANCHOR SET M8 80-125MM
1.1	10	30847	ANCHOR PLASTIC SLATS M8
1.2	10	30308071	BUTTONHEAD SCREW STAINLESS M8X70 WITHOUT WASHER, TX 50

A



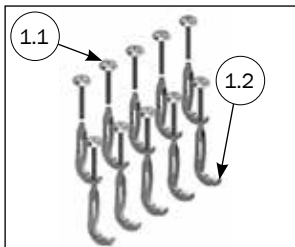
PARTS LIST			
NO.	PCS.	ITEM NO.	DESCRIPTION
	1	4800030	10 PIECE ANCHOR SET M8 100-145 MM
1.1	10	30888	INN-O-PLUG M8 X 90 BH TX50 A2 FT
1.2	10	30847	ANCHOR PLASTIC SLATS M8
1.3	10	35600058	NUT WASHER Ø8X8,4/24/2 A2 DIN 9021

B



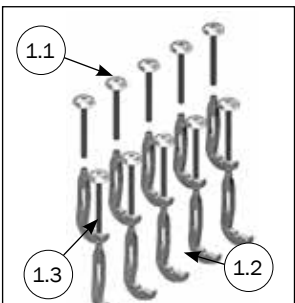
PARTS LIST			
NO.	PCS.	ITEM NO.	DESCRIPTION
	1	4800035	10 PIECE ANCHOR SET M8 130-190 MM
1.1	10	30847	ANKER M8 TIL PLASTRISTE
1.2	10	30887	INN-O-PLUG M8 x 120 BH TX50 A2
1.3	10	35600058	NUT WASHER Ø8X8,4/24/2 A2 DIN 9021

C



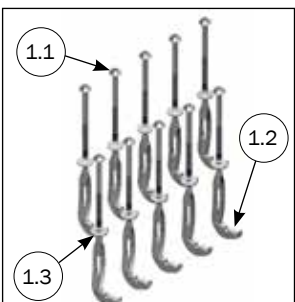
PARTS LIST			
NO.	PCS.	ITEM NO.	DESCRIPTION
	1	4800040	10 PIECE ANCHOR SET M8 100-145 MM
1.1	10	30308071	BUTTONHEAD SCREW STAINLESS M8X70 WITHOUT WASHER, TX 50
1.2	10	90130847	ANCHOR M8 FOR PLASTIC SLATS, BIG

D



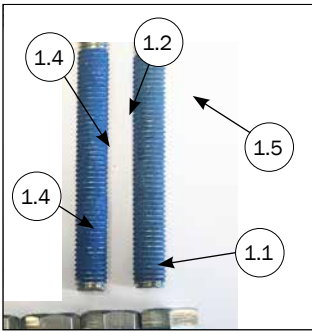
PARTS LIST			
NO.	PCS.	ITEM NO.	DESCRIPTION
	1	4800045	10 PIECE ANCHOR SET M8 120-165 MM
1.1	10	30888	INN-O-PLUG M8 X 90 BH TX50 A2 FT
1.2	10	90130847	ANCHOR M8 FOR PLASTIC SLATS, BIG
1.3	10	35600058	NUT WASHER Ø8X8,4/24/2 A2 DIN 9021

E



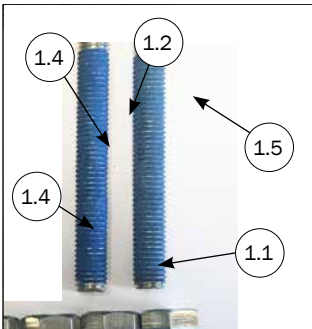
PARTS LIST			
NO.	PCS.	ITEM NO.	DESCRIPTION
	1	4800050	10 PIECE ANCHOR SET M8 150-195 MM
1.1	10	30887	INN-O-PLUG M8 x 120 BH TX50 A2
1.2	10	90130847	ANCHOR M8 FOR PLASTIC SLATS, BIG
1.3	10	35600058	NUT WASHER Ø8X8,4/24/2 A2 DIN 9021

F



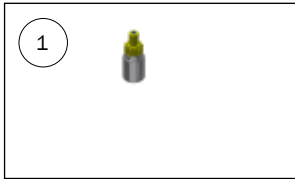
PARTS LIST			
NO.	PCS.	ITEM NO.	DESCRIPTION
	1	17129	SLAT ANCHOR 10 MM GREEN 10 PCS./PACK
1.1	10	17731	SLAT ANCHORS M10 GREEN
1.2	10	33510018	NUT M10 A2, DIN 439B LOW
1.3	10	35900085	NUT WASHER Ø10X10,5/30/2,5 A2 DIN 9021
1.4	10	30410070	SET SCREW M10X70 A2 WITH GLUE
1.5	1	17105	TOOL FOR BOLT-ON
	1	OV942	MOUNTINGINSTRUCTION FOR SLAT ANCHOR , FR, DE, ES, UK, DK

G



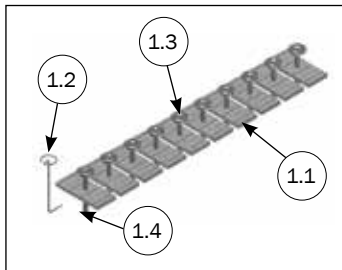
PARTS LIST			
NO.	PCS.	ITEM NO.	DESCRIPTION
	1	17095	SLAT ANCHOR 8MM GREEN, 10 PIECES
1.1	10	17128	SLAT ANCHORS M8 GREEN
1.2	10	33508013	NUT M8 A2 DIN 934
1.3	10	35600058	NUT WASHER Ø8X8,4/24/2 A2 DIN 9021
1.4	10	30408070	SET SCREW M8X70 A2 WITH GLUE
1.5	1	17105	TOOL FOR BOLT-ON
	1	OV942	MOUNTINGINSTRUCTION FOR SLAT ANCHOR , FR, DE, ES, UK, DK

H



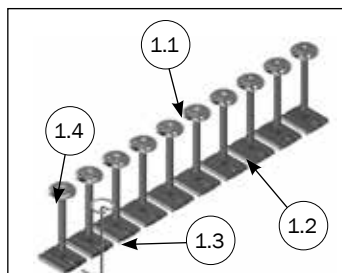
PARTS LIST			
NO.	PCS.	ITEM NO.	DESCRIPTION
	1	29100067	THREAD GLUE STRONG, ACO FUNKI 16,5 ML

I



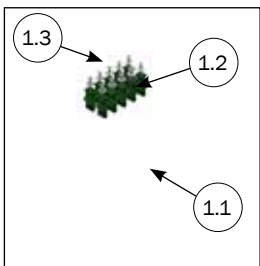
PARTS LIST			
NO.	PCS.	ITEM NO.	DESCRIPTION
	1	1900241	10 PCS BOLT-ON FITTINGS LARGE FOR CAST IRON SLATS
1.1	10	1920241	BOLT-ON FITTING FOR CAST IRON SLATS LARGE
1.2	1	17105	TOOL FOR BOLT-ON
1.3	10	30308071	BUTTONHEAD RF M8X70 U/SKIVE TORX 50
1.4	1	29100067	GEVINDSIKRING STÆRK, ACO FUNKI

J



PARTS LIST			
NO.	PCS.	ITEM NO.	DESCRIPTION
	1	96967	10 PCS BOLT-ON FITTINGS SMALL FOR CAST IRON SLATS
1.1	10	30308071	BUTTONHEAD SCREW STAINLESS M8X70 WITHOUT WASHER, TX 50
1.2	10	96965	BOLT-ON FITTINGS SMALL FOR CAST IRON SLATS
1.3	1	17105	TOOL FOR BOLT-ON
1.4	1	29100067	THREAD GLUE STRONG, ACO FUNKI 16,5 ML

K



PARTS LIST			
NO.	PCS.	ITEM NO.	DESCRIPTION
	1	18958	RHOMB SCREW-ANCHOR PIGLETSLATS(BAG WITH 10 PCS.)
1.1	10	18935	RHOMB ANCHOR FOR PLASTIC GRATING
1.2	10	35600051	WASHER 13X24X2,5 A2 DIN125
1.3	10	34908080	CHIPBOARD SCREW 8X80 A2 PH X-SLOT
	1	M-8521	MOUNTING INSTRUCTION FOR ROMBE ANCHOR 18935, DK, GB, DE

L

## NOTE

---