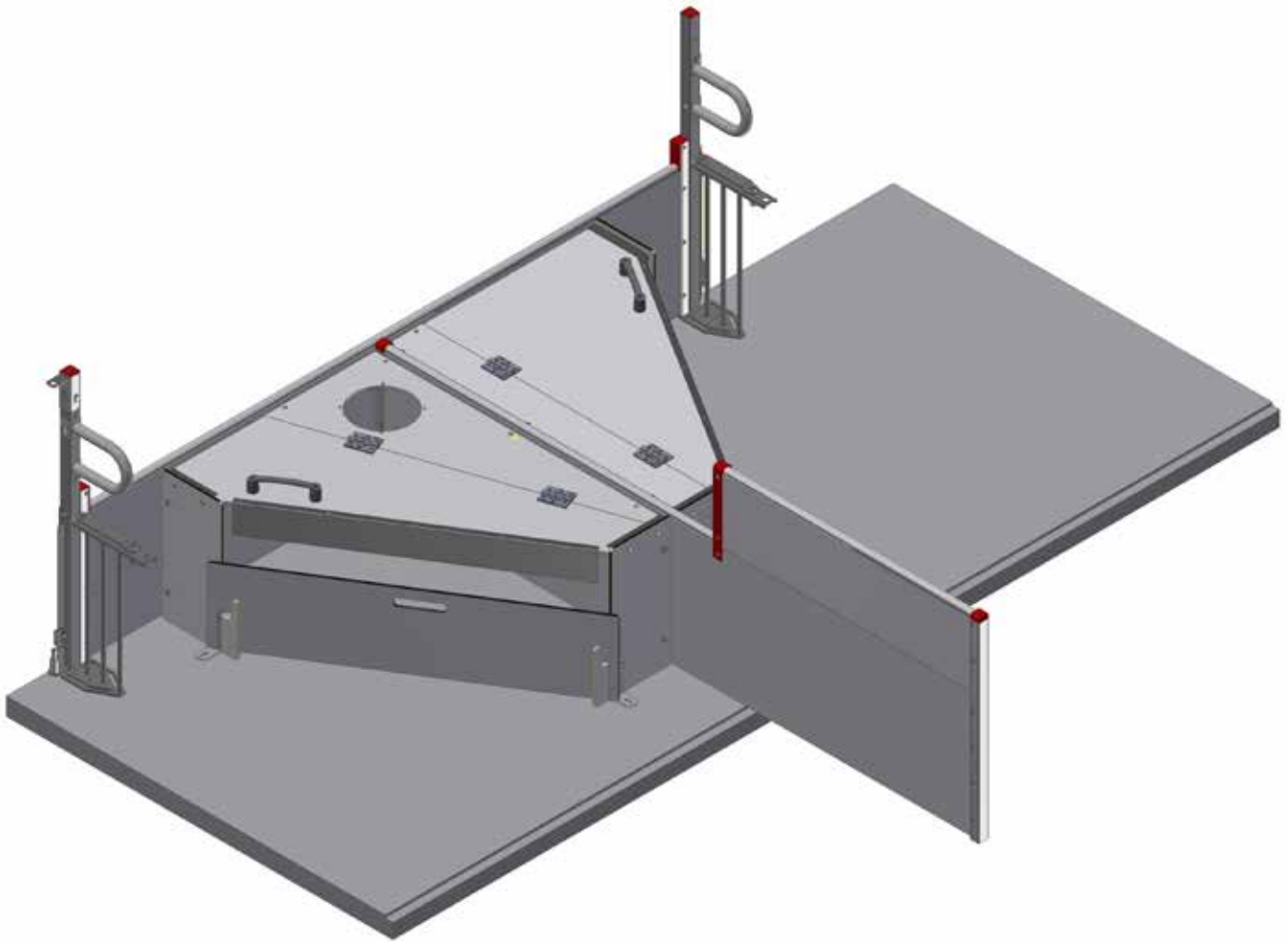


MOUNTING INSTRUCTIONS



FLEX NEST AND XL FLEX NEST PIGLETS NEST

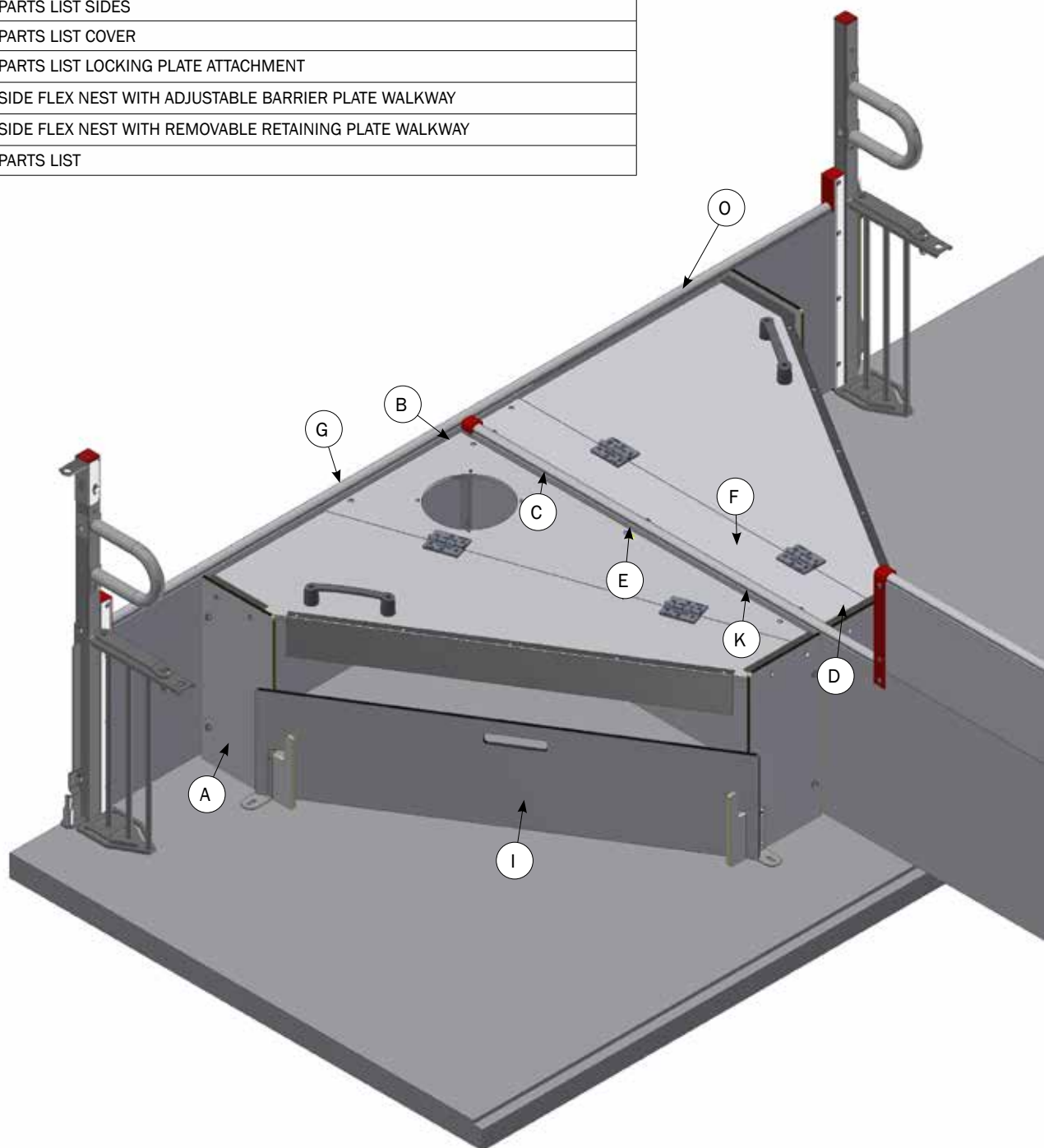


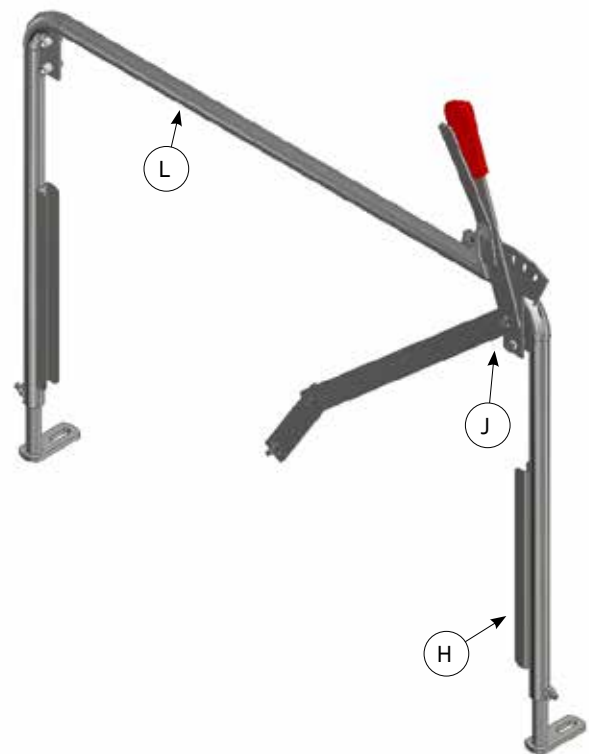
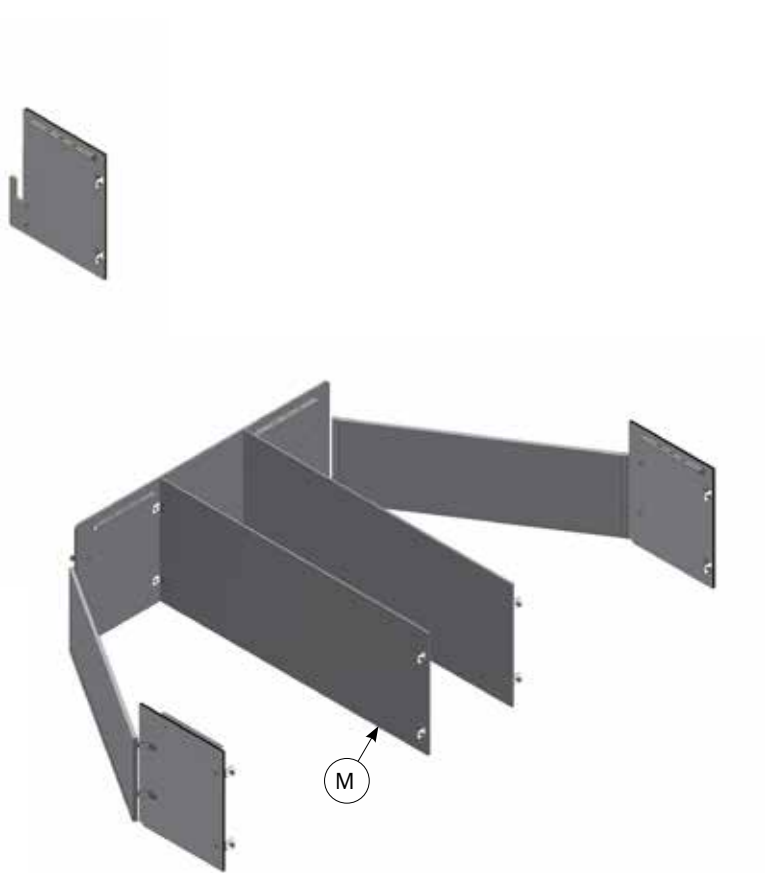
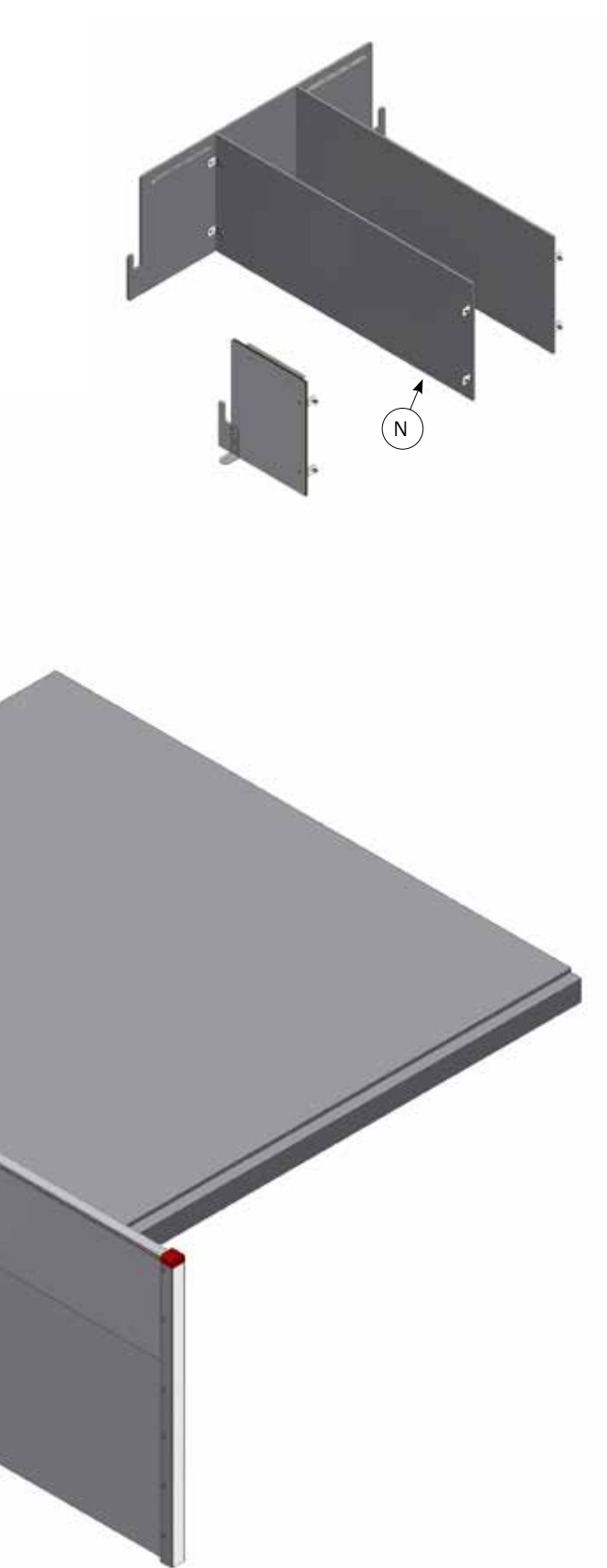
ACO FUNKI A/S
Kirkevænget 5
DK-7400 Herning

Tel. +45 9711 9600
www.acofunki.com
www.egebjerg.com

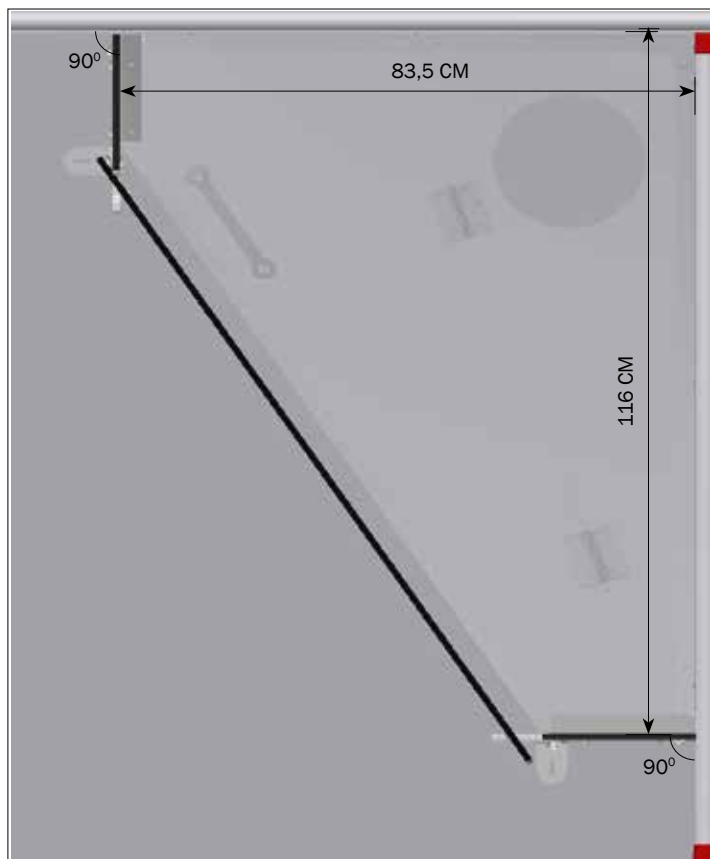
Overview

NO.	PAGE	DESCRIPTION
A	4-7	SIDE PLACEMENT
B	8-9	MOUNTING AGAINST BOARDPROFILE - SINGLE
C	10-11	MOUNTING AGAINST BOARDPROFILE - DOUBLE
D	12	MOUNTING AGAINST PLATE - SINGLE
E	13-14	MOUNTING AGAINST PLATE - DOUBLE
F	15	MOUNTING OF SUPPORT SET
G	15	MOUNTING ON WALL
H	16	LOCKING PLATE ATTACHMENT
I	17	PARTS LIST SIDES
J	18	PARTS LIST SIDES
K	19	PARTS LIST COVER
L	20	PARTS LIST LOCKING PLATE ATTACHMENT
M	21	SIDE FLEX NEST WITH ADJUSTABLE BARRIER PLATE WALKWAY
N	22	SIDE FLEX NEST WITH REMOVABLE RETAINING PLATE WALKWAY
O	23	PARTS LIST

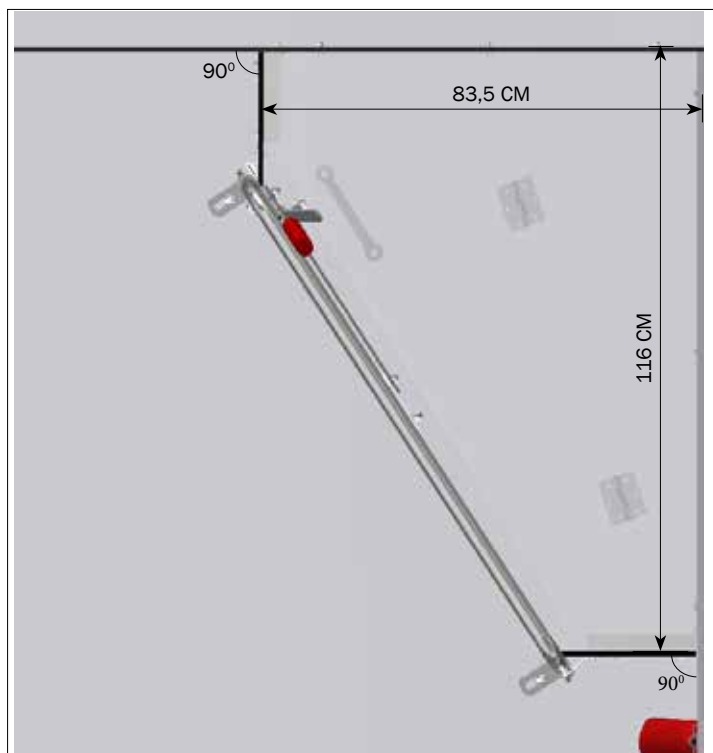




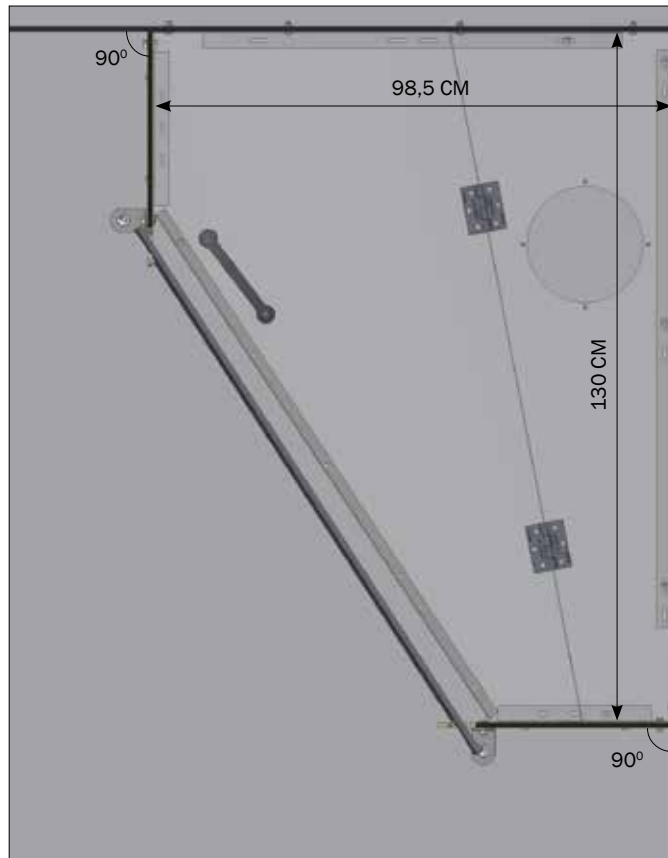
Side placement - removable blocking plate



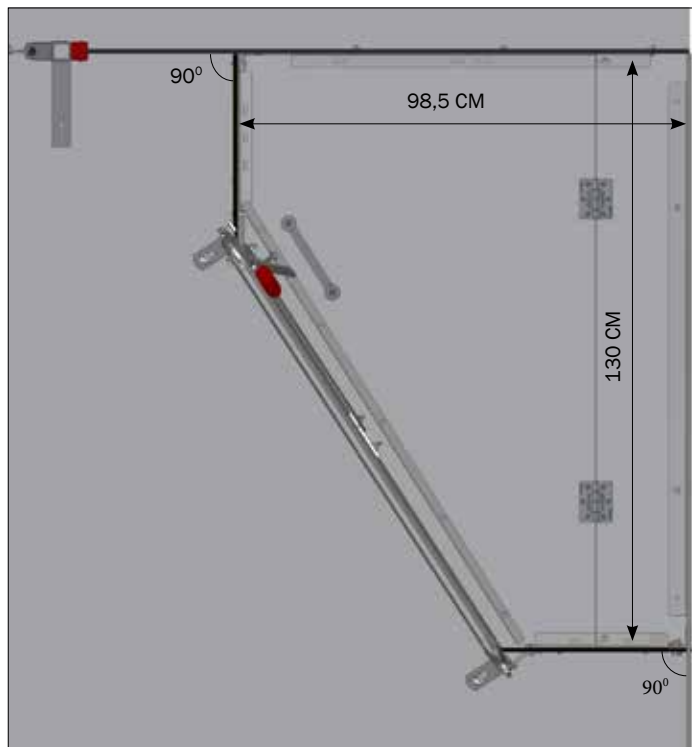
Side placement - adjustable blocking plate



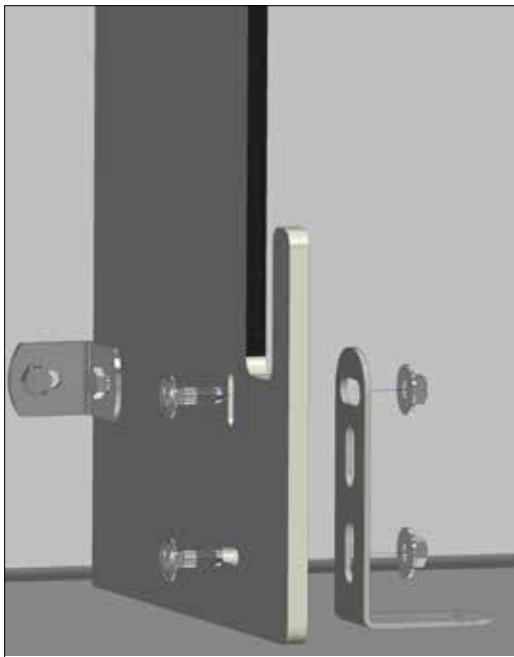
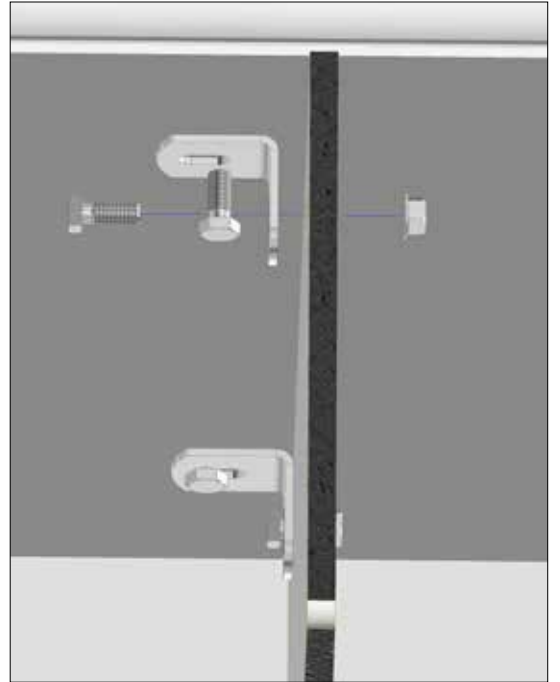
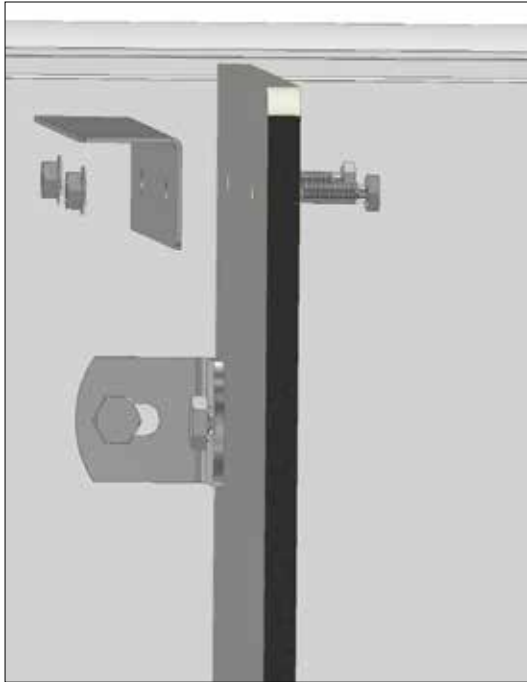
Side placement - removable blocking. XL flex nest



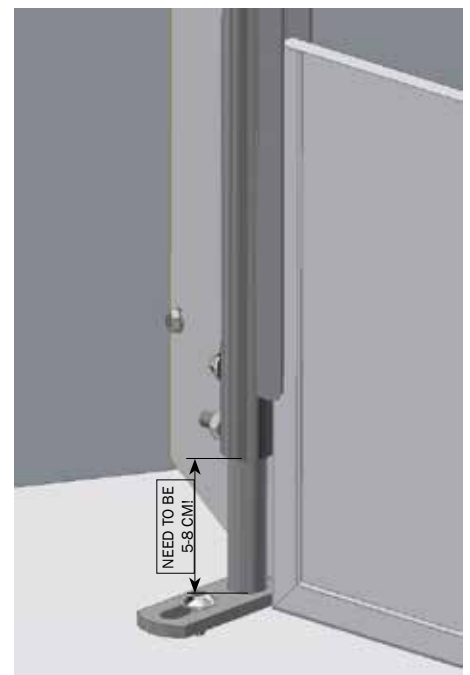
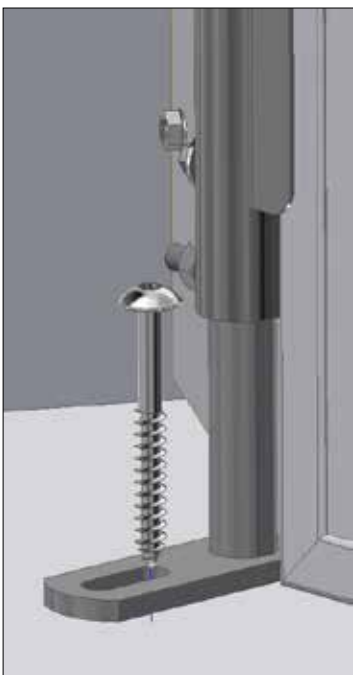
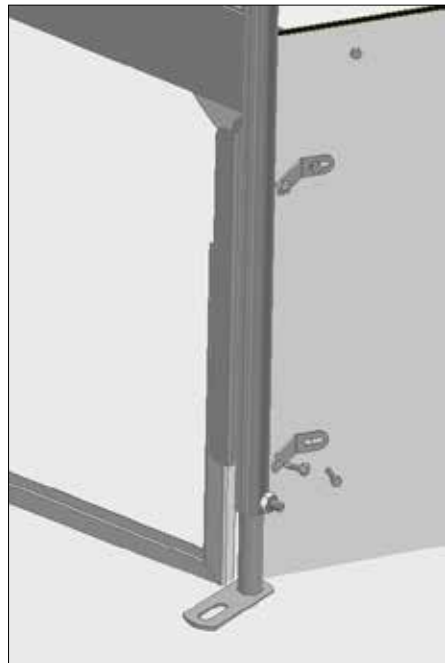
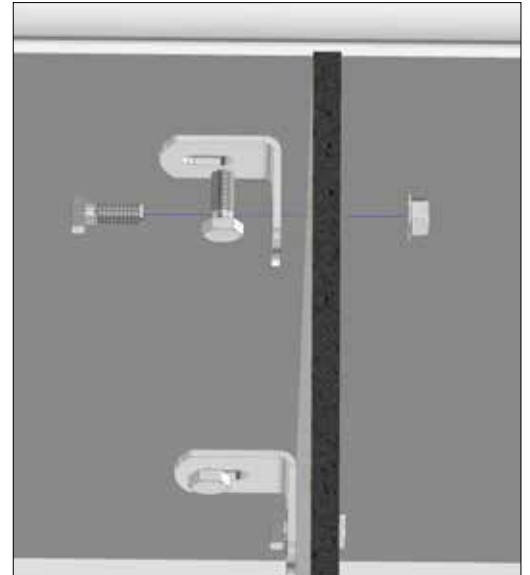
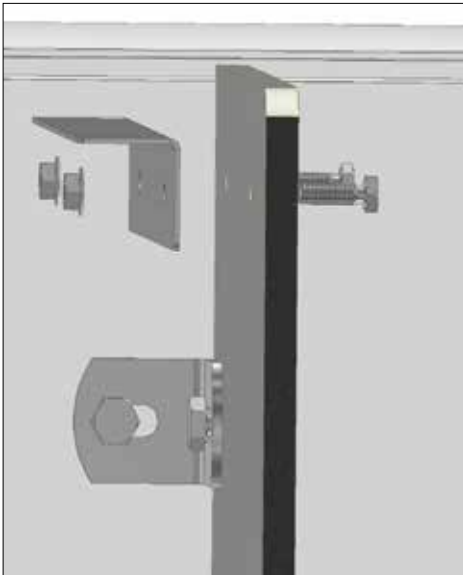
Side placement - adjustable blocking plate, XL flex nest



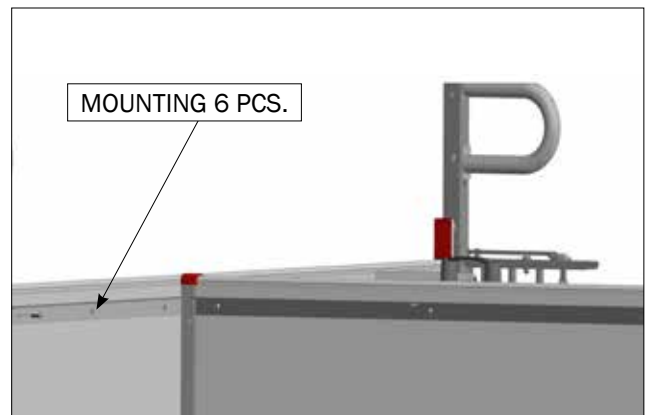
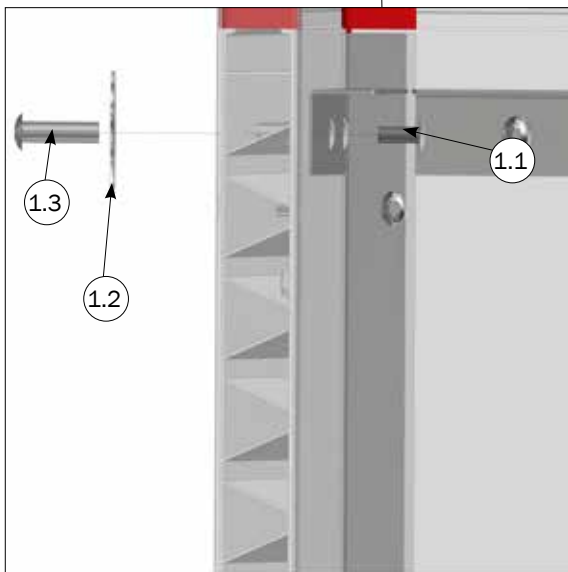
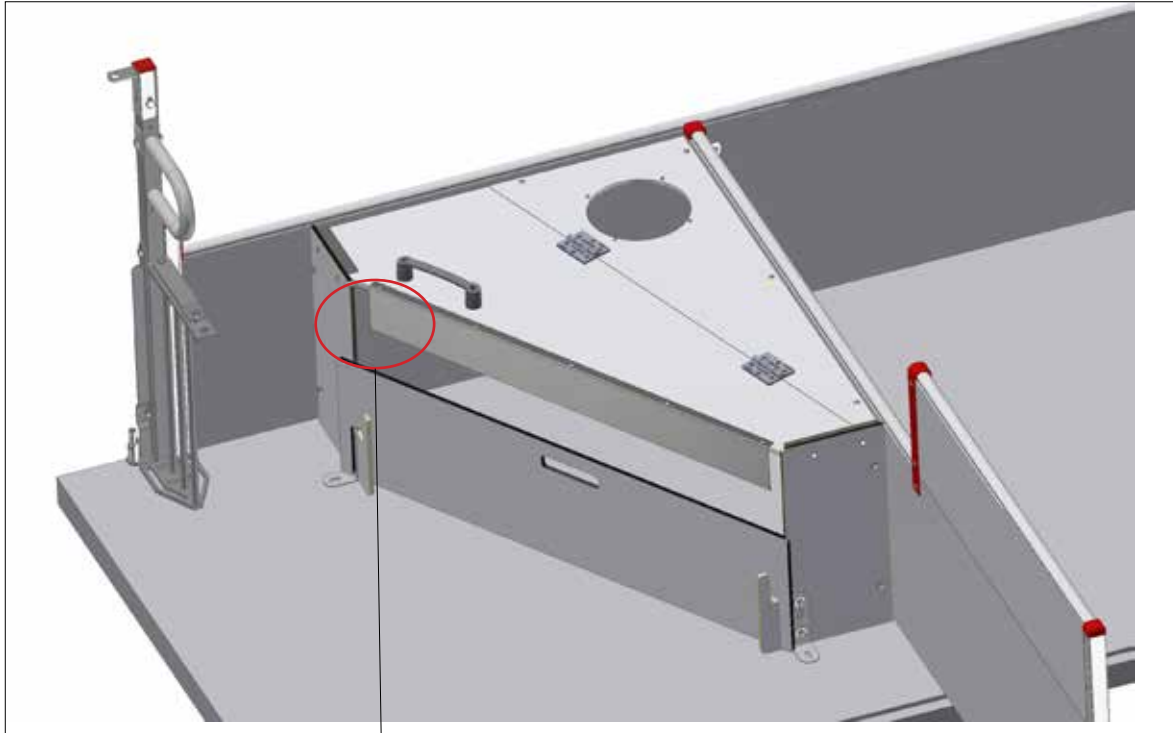
Mounting of sides - removable



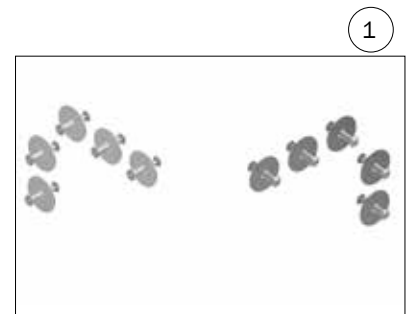
Mounting of sides - adjustable blocking plate



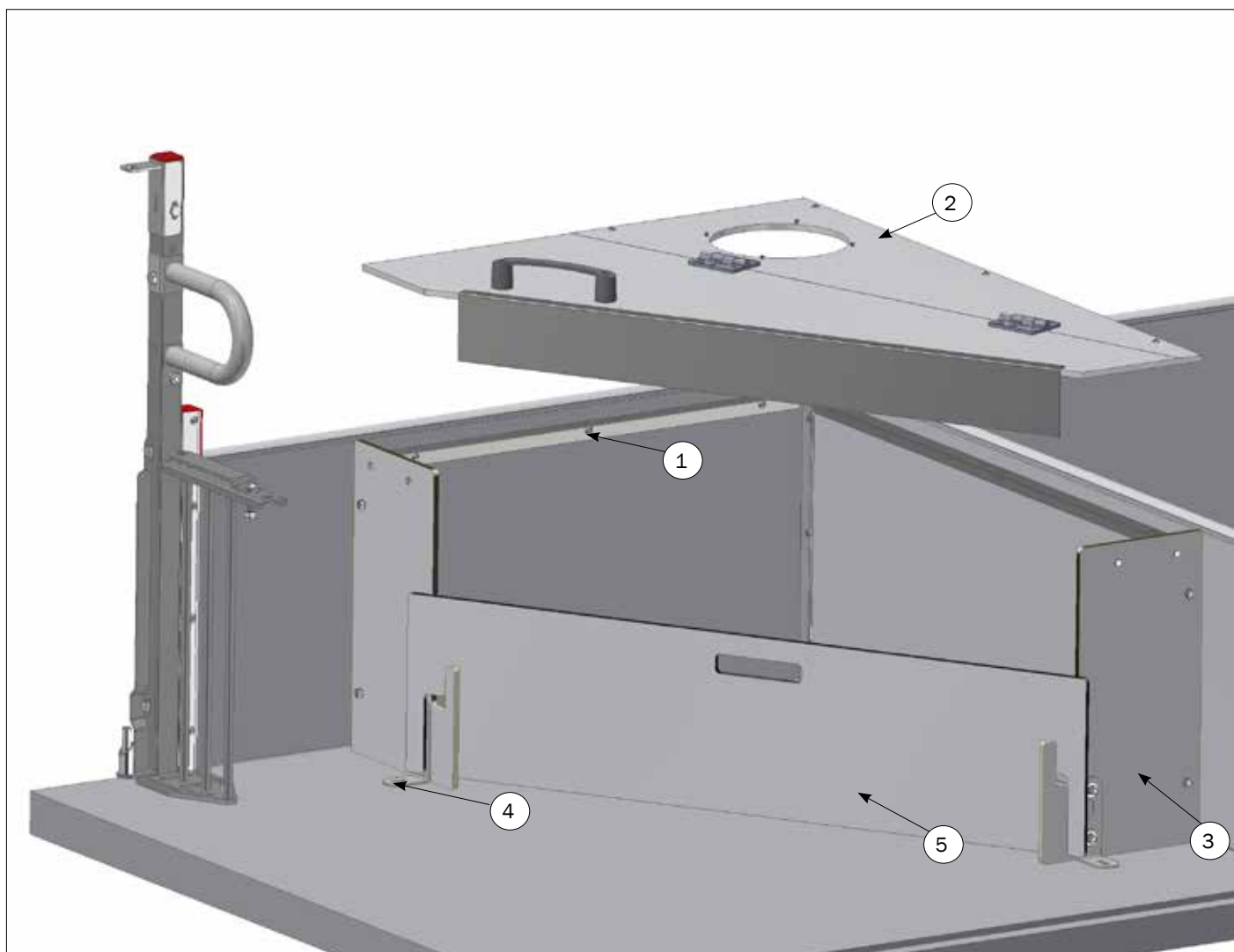
Mounting against boardprofile single



PART LIST			
NO.	ITEM NO.	DESCRIPTION	PCS.
1	2700086	MOUNTING KIT SINGLE FLEX NEST BOARDPROFILE/BOARDPROFILE	1
1.1	39106020	CONNECTION SCREW M6X20 STAINLESS TORX 30	10(6)
1.2	20037	MASTER CLAMP WASHER Ø10.5X45X1.5 MM A2	10(6)
1.3	39206037	SPLICING SLEEVE M6X37 STAINLESS TORX 30	10(6)



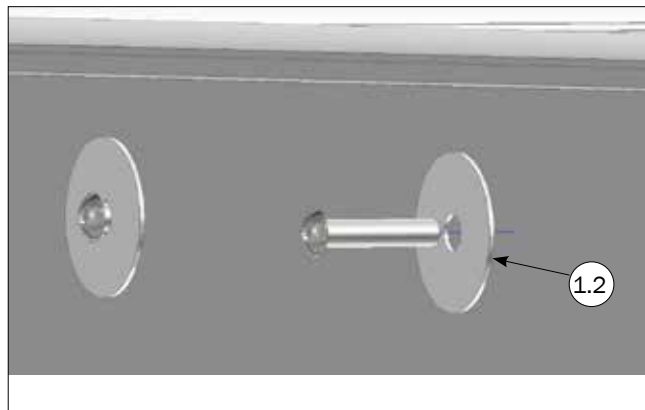
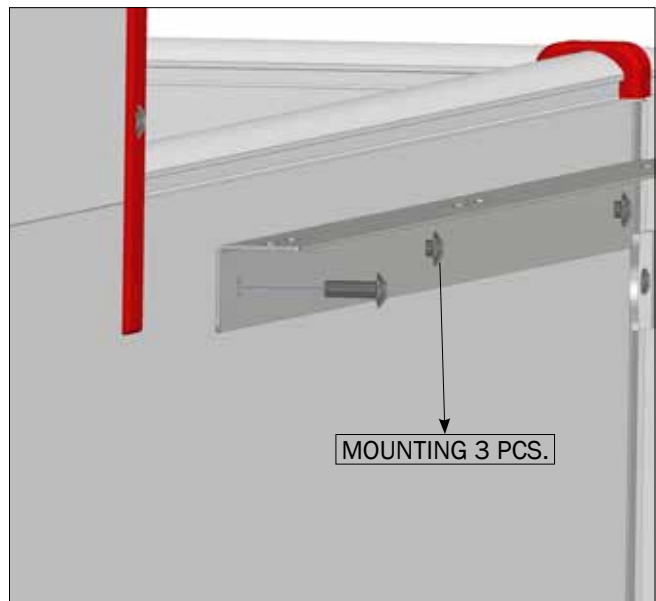
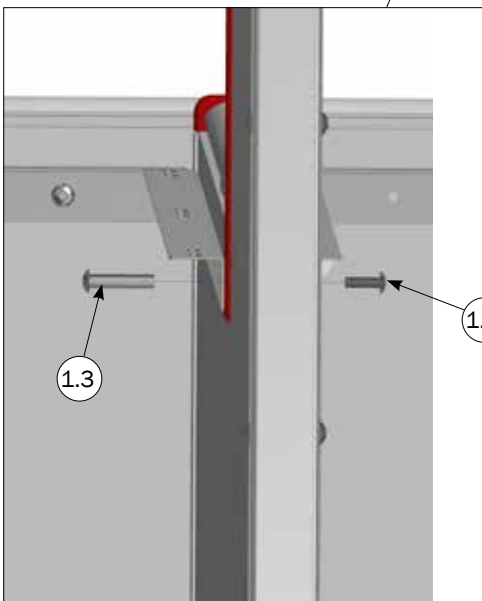
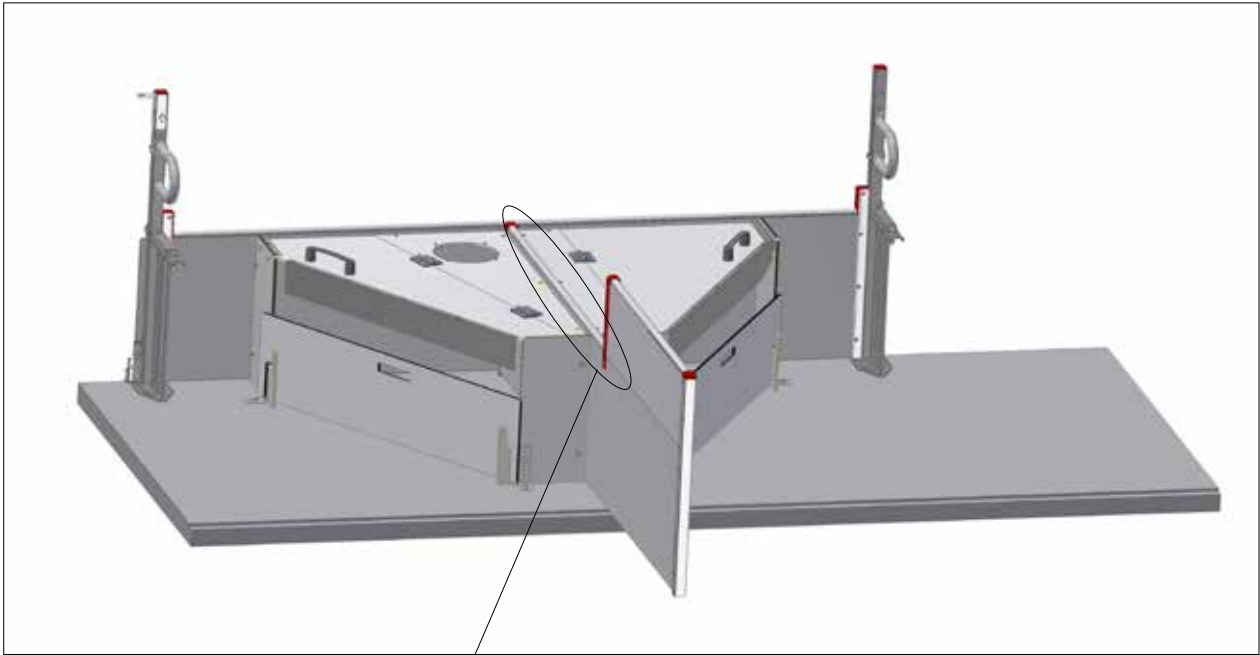
Mounting against boardprofile single



PART LIST

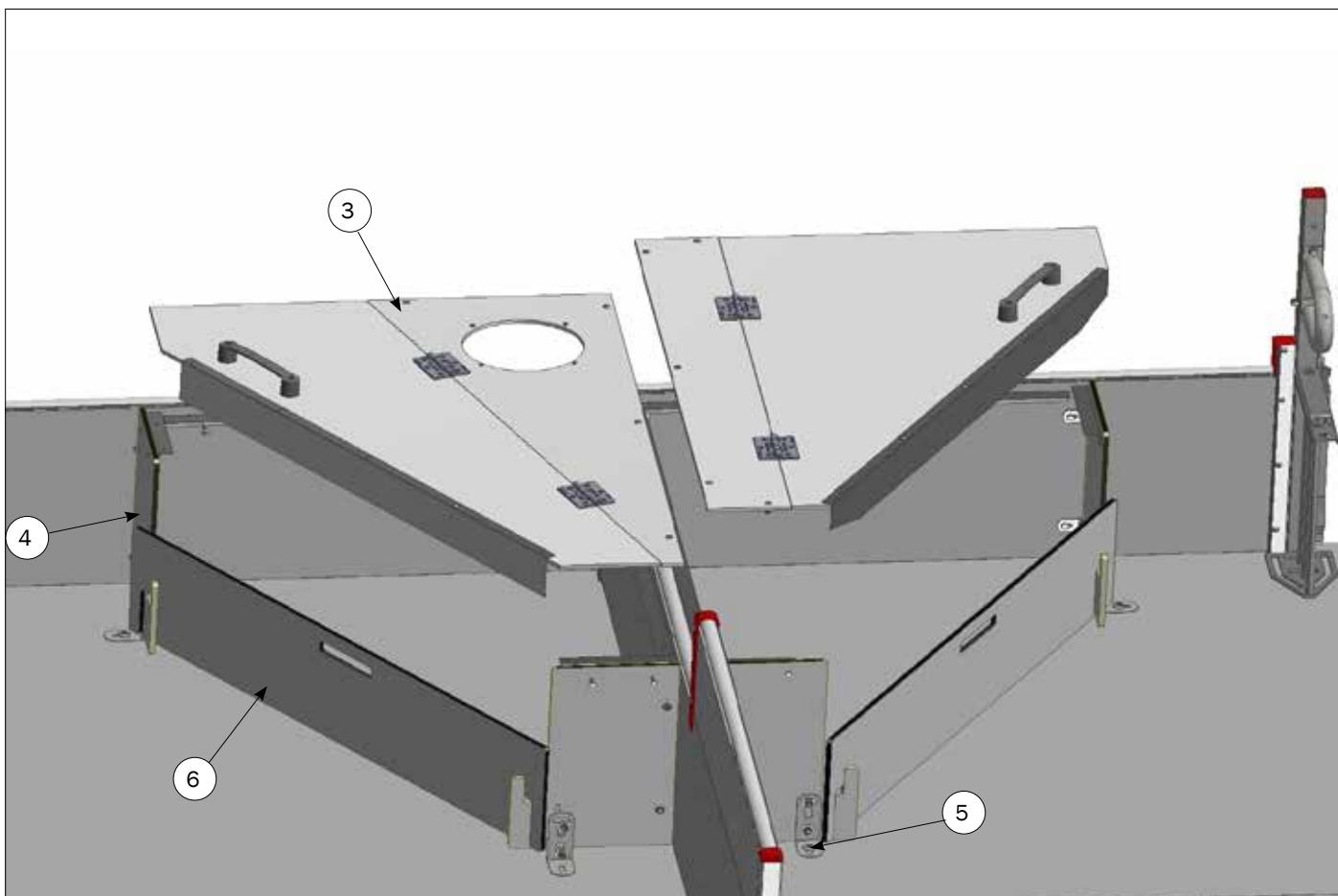
NO.	ITEM NO.	DESCRIPTION	PCS.
1	2700086	MOUNTING KIT SINGLE FLEX NEST BOARDPROFILE/BOARDPROFILE	1
2	2700075	COVER WITH HOLE FOR HEATING LAMP, UNASSEMBLED	1
3	2700163	SIDE H50 FOR FLEX NEST WITH REMOVEABLE RETAINING PLATE	1
4	4800010	10 PCS. STAINLESS STEEL BUTTON HEAD SCREWS 10 X 70 AND WALL PLUG	1
5	8460400	RETAINING PLATE FOR FLEX NEST	1

Mounting against boardprofile boube

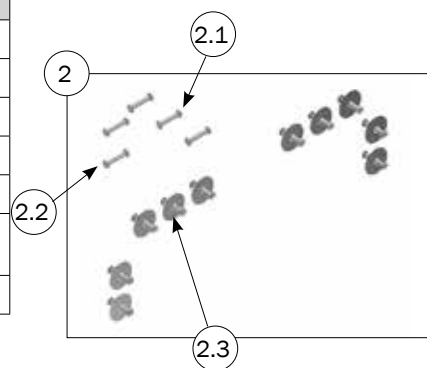
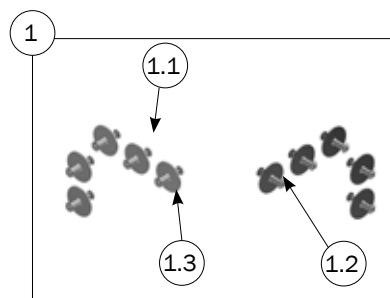


○ For part list see page 8

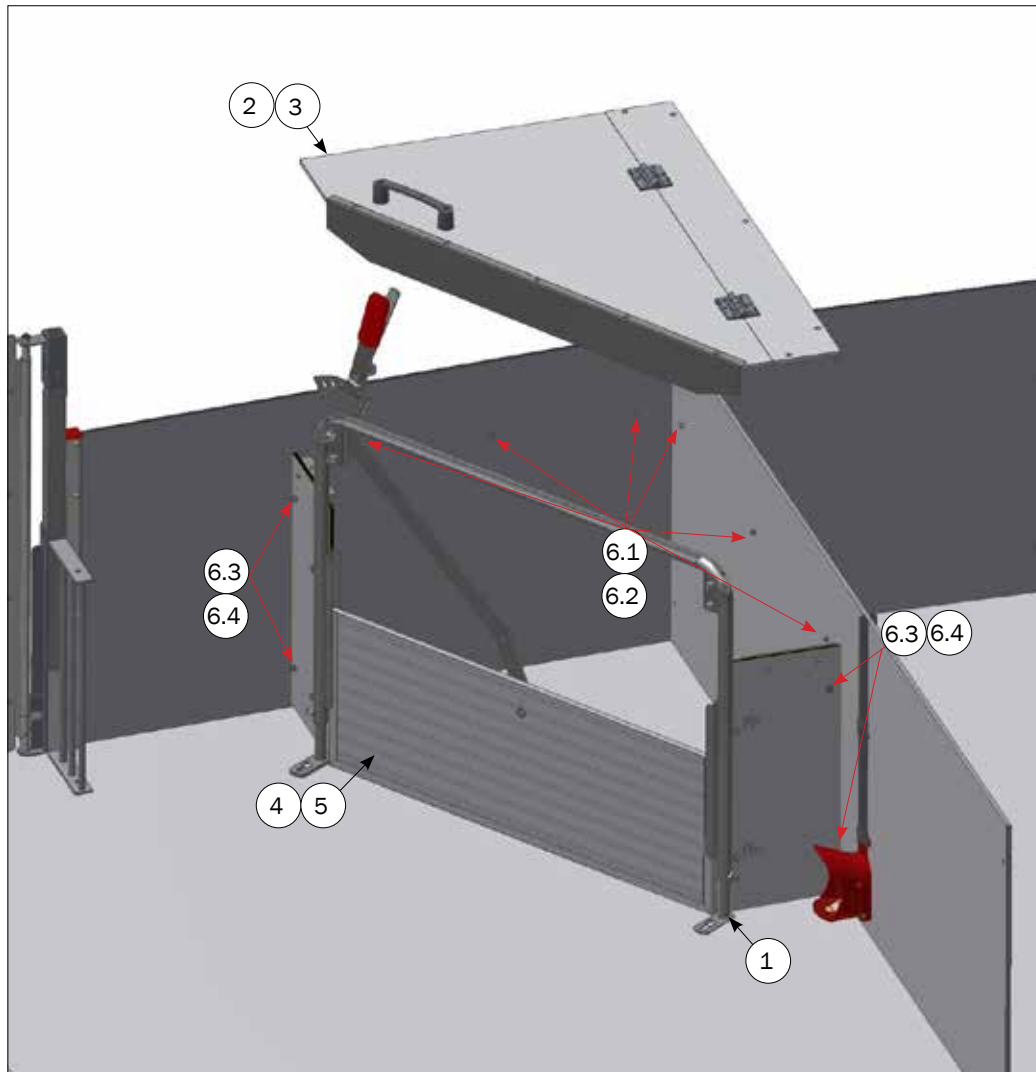
Mounting against boardprofile double



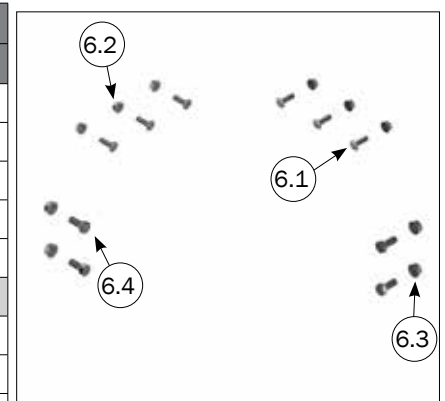
PART LIST			
NO.	ITEM NO.	DESCRIPTION	PCS.
1	2700086	MOUNTING KIT SINGLE FLEX NEST BOARDPROFILE/BOARDPROFILE	1
1.1	39106020	CONNECTION SCREW M6X20 STAINLESS TORX 30	10
1.2	39206037	SPLICING SLEEVE M6X37 STAINLESS TORX 30	10
1.3	20037	MASTER CLAMP WASHER Ø10.5X45X1.5 MM A2	10
2	2700083	MOUNTING KIT DOUBLE FLEX NESTBOARDPROFILE/BOARDPROFILE	1
2.1	39106020	CONNECTION SCREW M6X20 STAINLESS TORX 30	15
2.2	39206037	SPLICING SLEEVE M6X37 STAINLESS TORX 30	15
2.3	20037	MASTER CLAMP WASHER Ø10.5X45X1.5 MM A2	10
3	2700075	COVER WITH HOLE FOR HEATING LAMP, UNASSEMBLED	1
4	2700163	SIDE H50 FOR FLEX NEST WITH REMOVEABLE RETAINING PLATE	1
5	4800010	10 PCS. STAINLESS STEEL BUTTON HEAD SCREWS 10 X 70 AND WALL PLUG	1
6	8460400	RETAINING PLATE FOR FLEX NEST	1



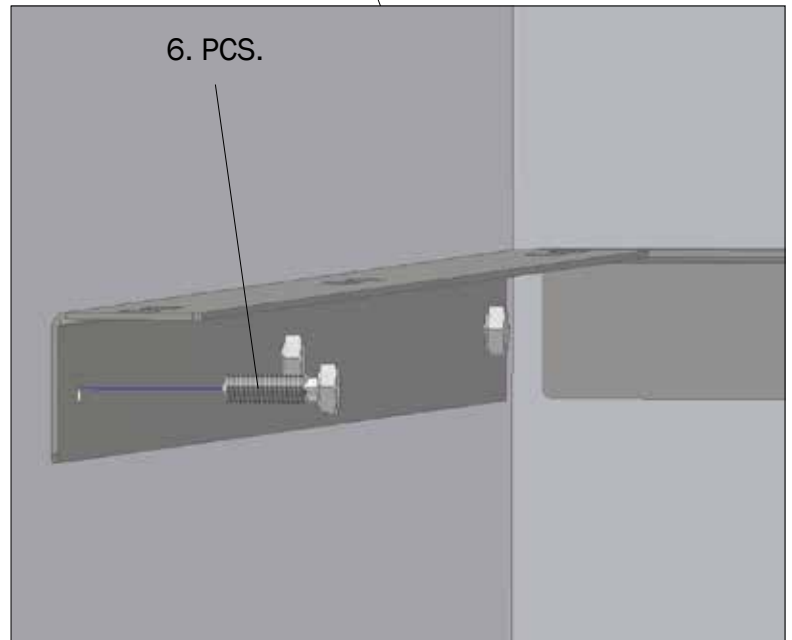
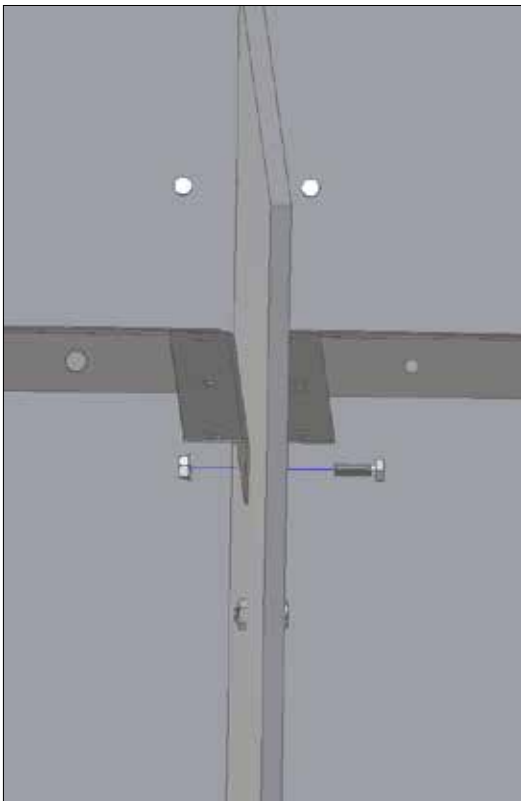
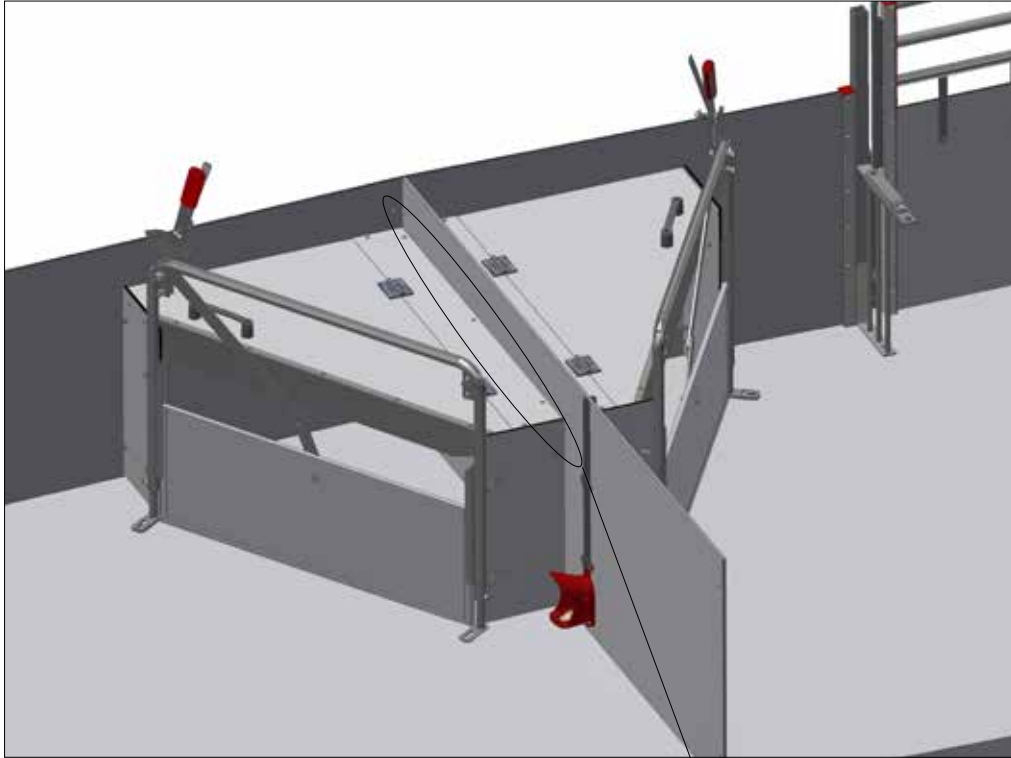
Mounting against plate single



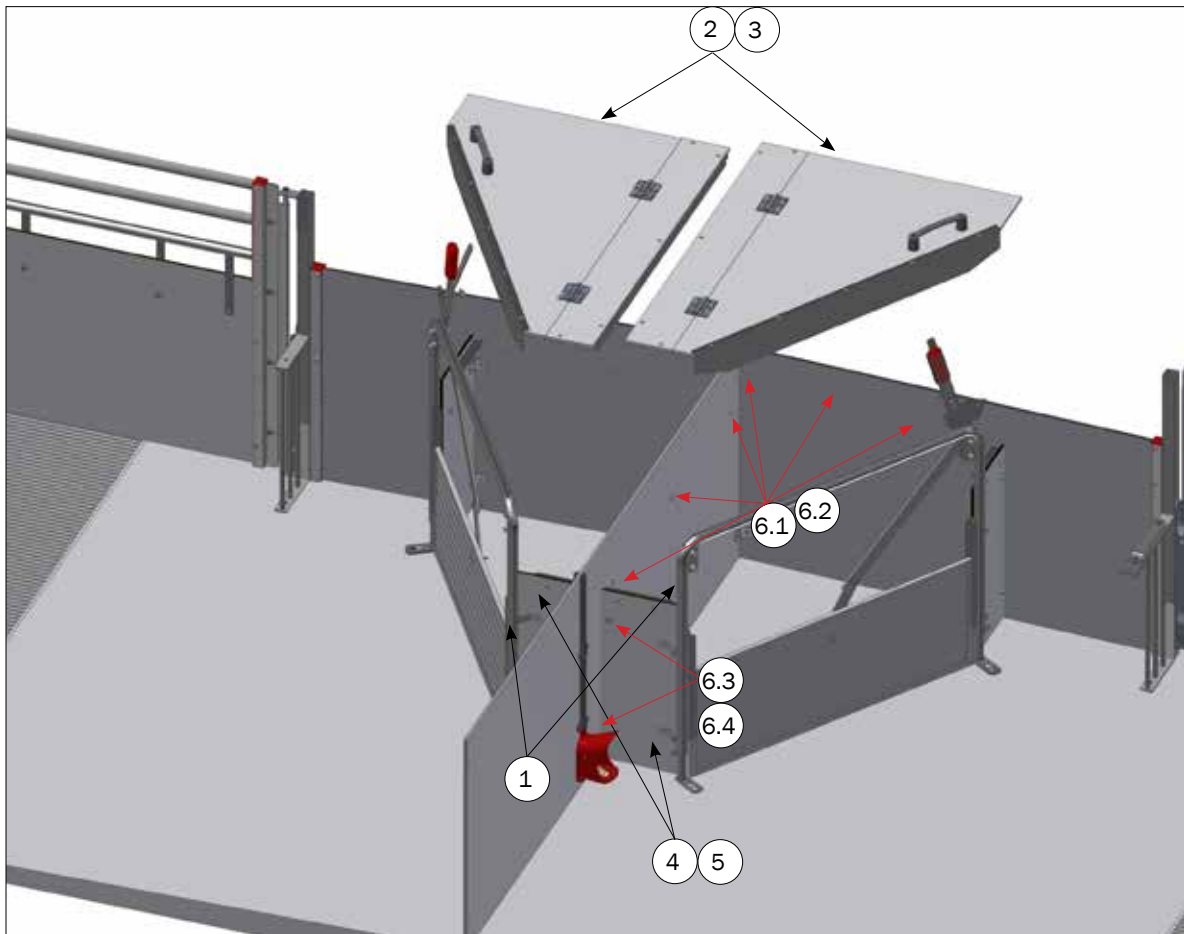
PART LIST			
NO.	ITEM NO.	DESCRIPTION	PCS.
1	2700073	KIT FOR ADJUSTABLE BARRIER PLATE, UNASSEMBLED	1
2	2700162	COVER FOR MASTER HEATER UNASSEMBLED	1
3	2700184	XL COVER FOR MASTER HEATER UNASSEMBLED	1
4	2700076	SIDE H60 FOR FLEX NEST WITH ADJUSTABLE BARRIER PLATE	1
5	2700199	XL SIDE H60 FOR FLEX NEST WITH ADJUSTABLE BARRIER PLATE	1
6	2700078	MOUNTING KIT FOR FLEX NEST PLATE/PLATE	1
6.1	39106020	CONNECTION SCREW M6X20 STAINLESS TORX 30	6
6.2	33506011	COLLAR HEAD NUT M6 A2 DIN 6923	6
6.3	68552	COLLAR HEAD NUT M8 A2 DIN 6923	4
6.4	30308020	SET SCREW M8X20 A2 DIN 933	4



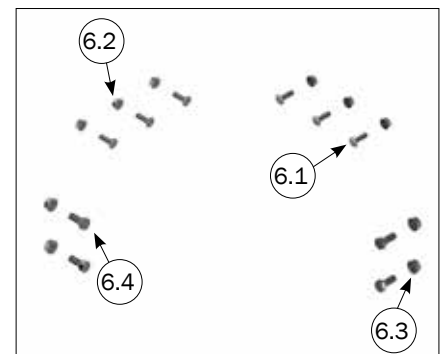
Mounting against plate double



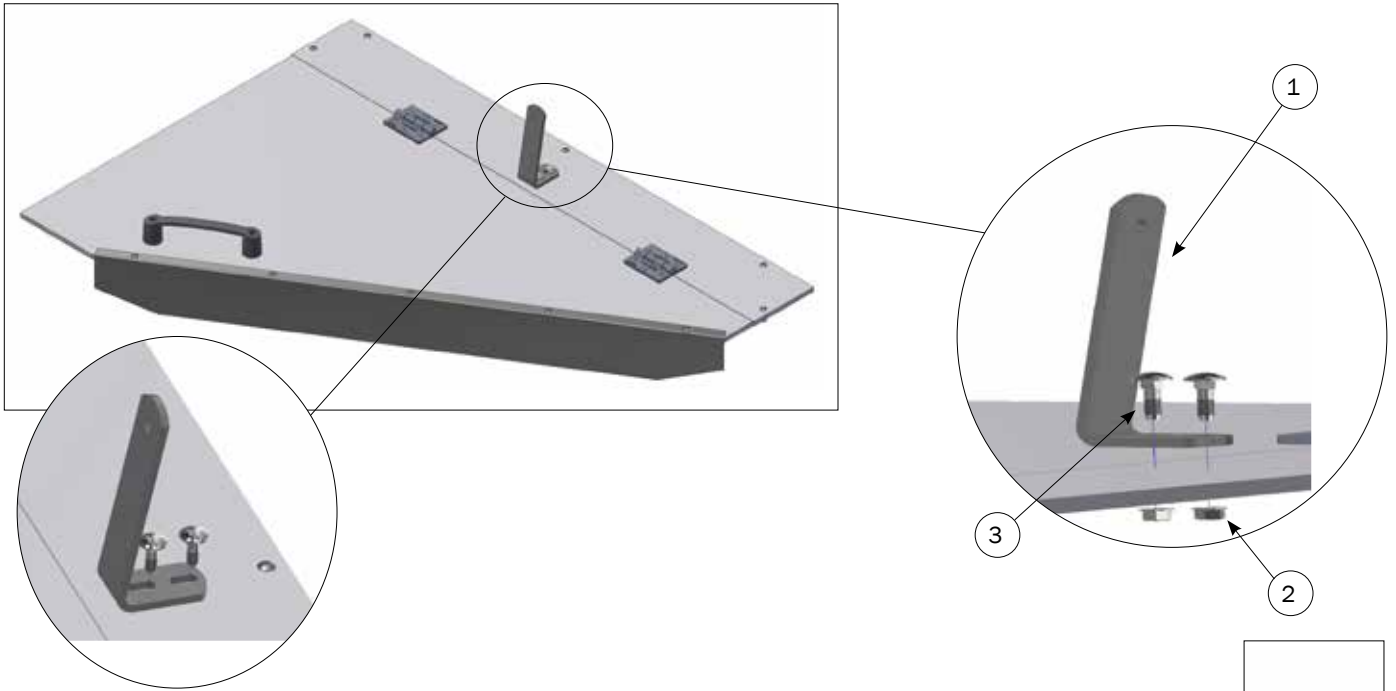
Mounting against plate double



PART LIST			
NO.	ITEM NO.	DESCRIPTION	PCS.
1	2700073	KIT FOR ADJUSTABLE BARRIER PLATE, UNASSEMBLED	1
2	2700162	COVER FOR MASTER HEATER UNASSEMBLED	1
3	2700184	XL COVER FOR MASTER HEATER UNASSEMBLED	1
4	2700076	SIDE H60 FOR FLEX NEST WITH ADJUSTABLE BARRIER PLATE	1
5	2700199	XL SIDE H60 FOR FLEX NEST WITH ADJUSTABLE BARRIER PLATE	1
6	2700078	MOUNTING KIT FOR FLEX NEST PLATE/PLATE	1
6.1	39106020	CONNECTION SCREW M6X20 STAINLESS TORX 30	9
6.2	33506011	COLLAR HEAD NUT M6 A2 DIN 6923	9
6.3	68552	COLLAR HEAD NUT M8 A2 DIN 6923	6
6.4	30308020	SET SCREW M8X20 A2 DIN 933	6



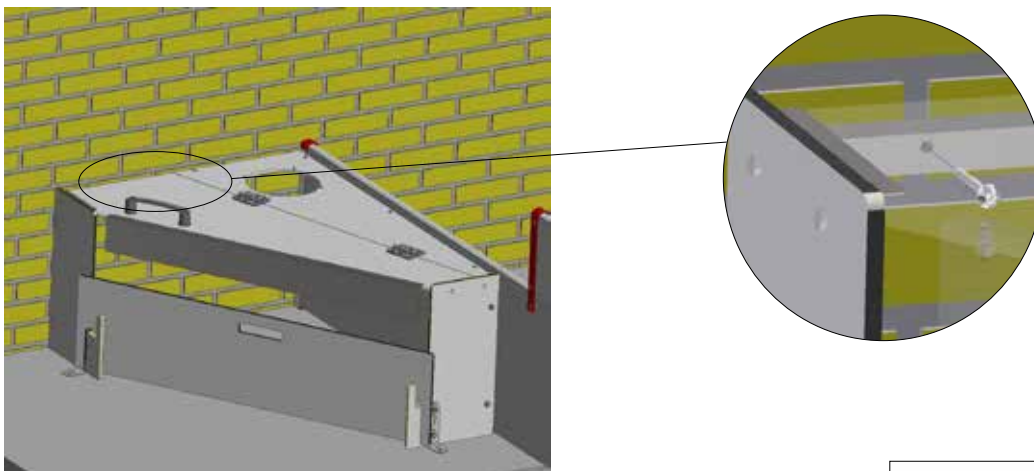
Mounting of support set



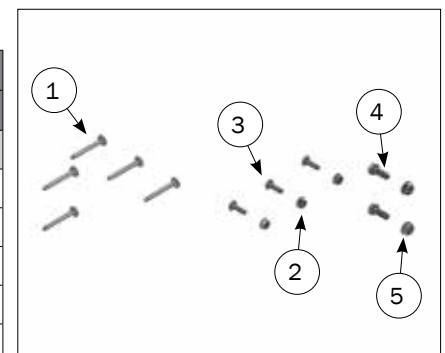
PART LIST			
NO.	ITEM NO.	DESCRIPTION	PCS.
	2700166	SUPPORT KIT FOR COVER WITH PLATE	
1	2720097	SUPPORT BRACKET FOR NEST COVER WITH PLATE	1
2	68552	COLLAR HEAD NUT M8 A2 DIN 6923	2
3	36308025	MUSHROOMHEADED BOLT M8X25 A2 DIN 603	2



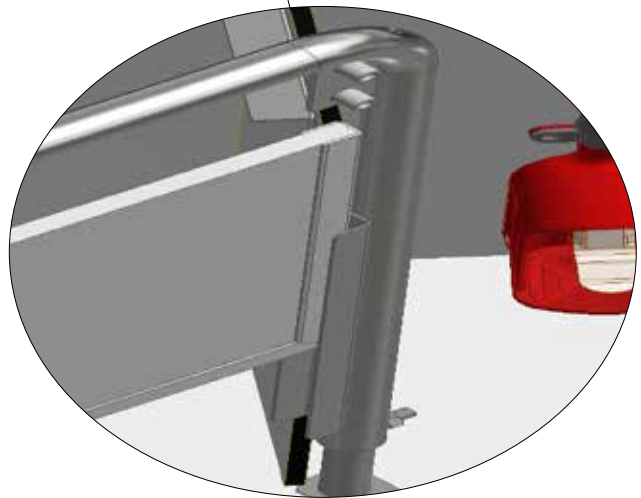
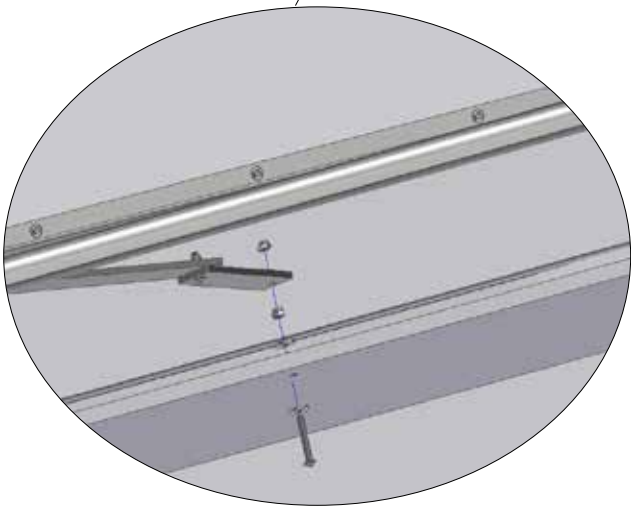
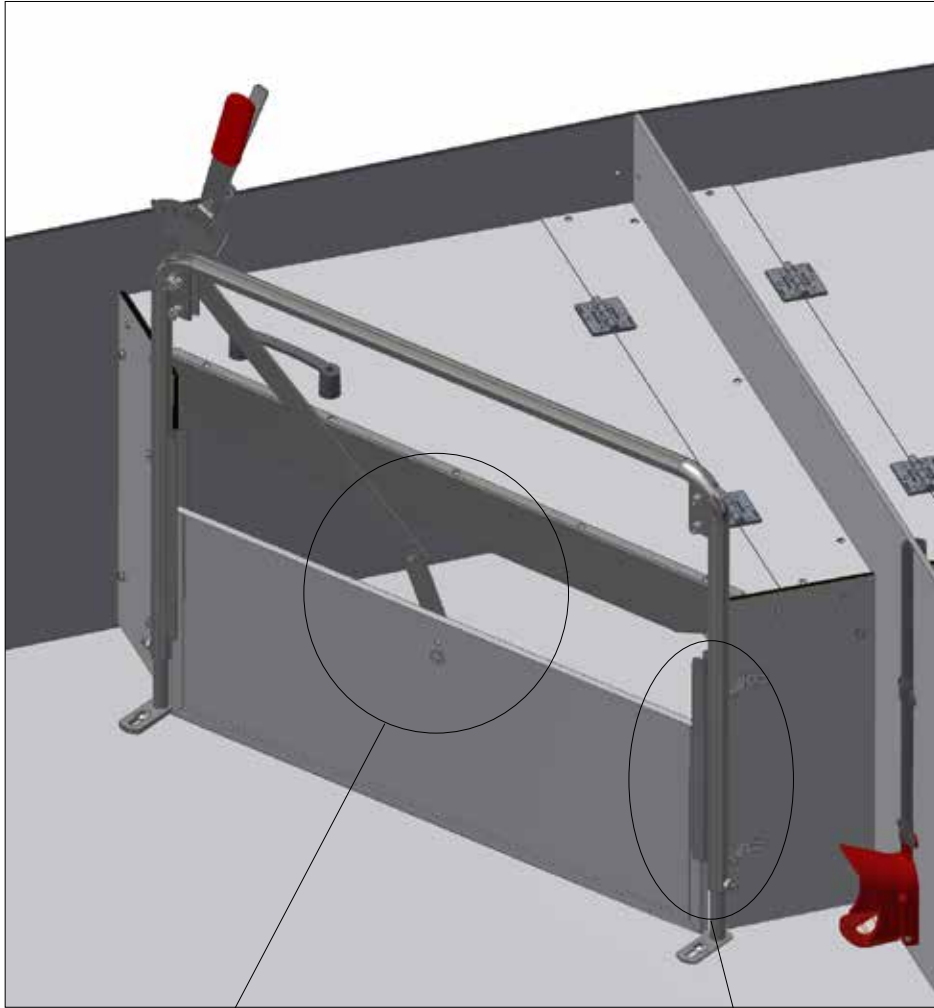
MOUNTING ON WALL



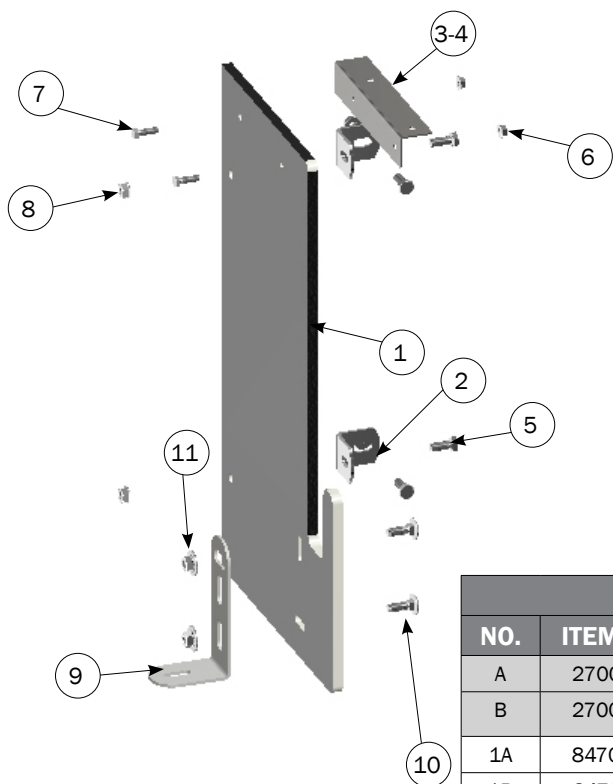
PART LIST			
NO.	ITEM NO.	DESCRIPTION	PCS.
	2700084	MOUNTING KIT SINGLE FLEX NESTPLATE/WALL	
1	39406050	CONCRETE SCREW 6,5 X 50 STAINLESS STEEL	5
2	33506011	COLLAR HEAD NUT M6 A2 DIN 6923	3
3	39106020	CONNECTION SCREW M6X20 STAINLESS TORX 30	3
4	30308020	SET SCREW M8X20 A2 DIN 933	2
5	68552	COLLAR HEAD NUT M8 A2 DIN 6923	2



Blocking plate attachment



Part list for removable flex nest



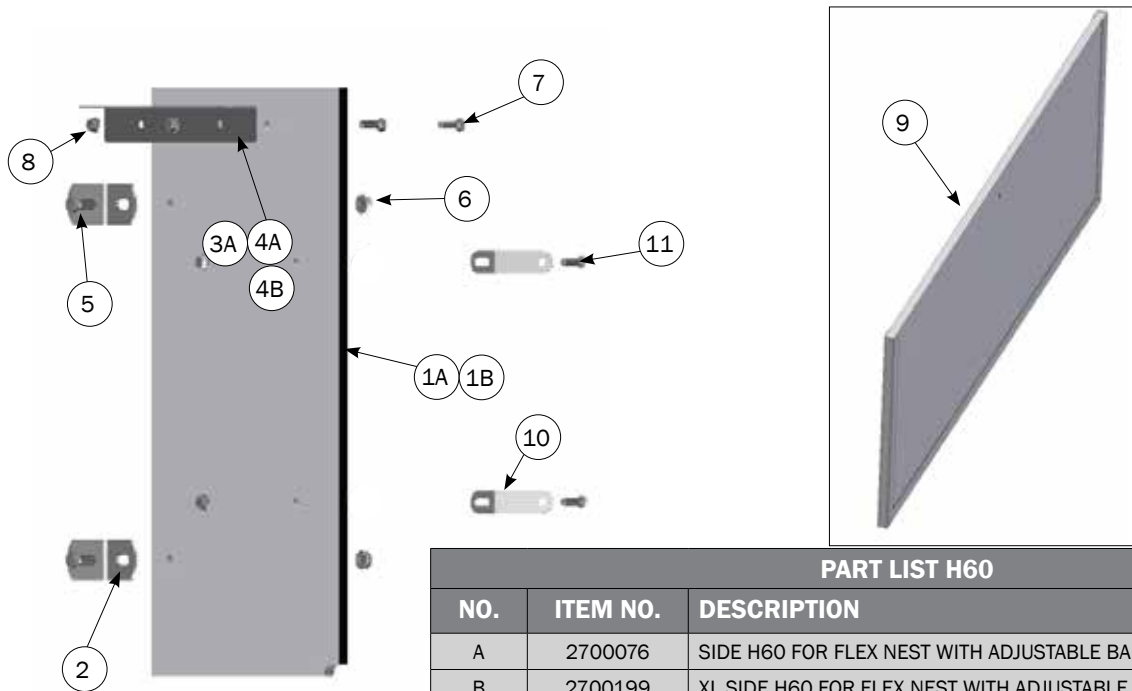
PART LIST H50

NO.	ITEM NO.	DESCRIPTION	PCS.
A	2700163	SIDE H50 FOR FLEX NEST WITH REMOVEABLE RETAINING PLATE	
B	2700185	XL SIDE H50 FOR FLEX NEST WITH REMOVEABLE RETAINING PLATE	
1A	8470083	SIDE H50 FOR FLEX NEST WITHOUT ADJUSTTABLE RETAINING PLATE	2
1B	8470197	XL SIDE H50 FOR FLEX NEST WITHOUT ADJUSTTABLE RETAINING PLATE	2
2	30900	WALL BRACKET SMALL	4
3	8440152	SUPPORT FOR NESTCOVER L= 210 MM	1
4	8440150	SUPPORT FOR NESTCOVER L= 175 MM	1
5	30308020	SET SCREW M8X20 A2 DIN 933	8
6	68552	COLLAR HEAD NUT M8 A2 DIN 6923	12
7	39106020	CONNECTION SCREW M6X20 STAINLESS TORX 30	4
8	33506011	COLLAR HEAD NUT M6 A2 DIN 6923	4
9	4950644	FLOOR ANGLE 133X44X70 MM A2 HIGH	2
10	36308025	MUSHROOMHEADED BOLT M8X25 A2 DIN 603	4
11	35600058	WASHER Ø8.4X24X2 MM A2 DIN 9021	4

PART LIST H60

NO.	ITEM NO.	DESCRIPTION	PCS.
A	2700167	SIDE H60 FOR FLEX NEST WITH REMOVEABLE RETAINING PLATE	
B	2700186	XL SIDE H60 FOR FLEX NEST WITH REMOVEABLE RETAINING PLATE	
1A	8470084	SIDE H60 FOR FLEX NEST WITHOUT ADJUSTTABLE RETAINING PLATE	2
1B	8470198	XL SIDE H60 FOR FLEX NEST WITHOUT ADJUSTTABLE RETAINING PLATE	2
2	30900	WALL BRACKET SMALL	4
3	8440152	SUPPORT FOR NESTCOVER L= 210 MM	1
4	8440150	SUPPORT FOR NESTCOVER L= 175 MM	1
5	30308020	SET SCREW M8X20 A2 DIN 933	8
6	68552	COLLAR HEAD NUT M8 A2 DIN 6923	12
7	39106020	CONNECTION SCREW M6X20 STAINLESS TORX 30	4
8	33506011	COLLAR HEAD NUT M6 A2 DIN 6923	4
9	4950644	FLOOR ANGLE 133X44X70 MM A2 HIGH	2
10	36308025	MUSHROOMHEADED BOLT M8X25 A2 DIN 603	4
11	35600058	WASHER Ø8.4X24X2 MM A2 DIN 9021	4

Part list

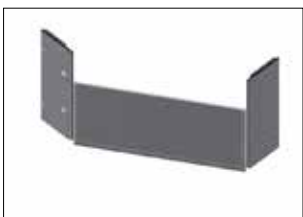


PART LIST H60

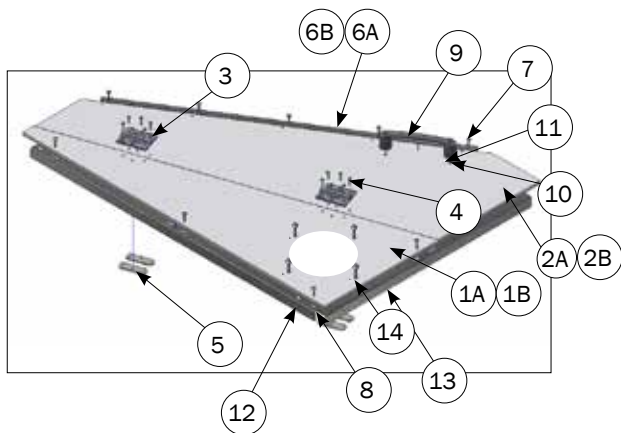
NO.	ITEM NO.	DESCRIPTION	PCS.
A	2700076	SIDE H60 FOR FLEX NEST WITH ADJUSTABLE BARRIER PLATE	
B	2700199	XL SIDE H60 FOR FLEX NEST WITH ADJUSTABLE BARRIER PLATE	
1A	8470031	SIDE H60 FOR FLEX NEST	2
1B	8470209	XL SIDE H60 FOR FLEX NEST	2
2	30900	WALLBRACKET SHORT	4
3A	8440152	SUPPORT FOR FLEXNEST, L=210	1
4A	8440150	SUPPORT FOR NEST COVER, L = 175 MM	1
4B	8440166	SUPPORT FOR FLEX NEST XL	2
5	30308020	SET SCREW A2 M8 X 20 DIN 933	8
6	68552	FLANGENUT A2 DIN 6923 - M8	8
7	39106020	CONNECTION SCREW M6X20 STAINLESS TORX 30	8
8	33506011	COLLAR HEAD NUT M6	8
9	2760080	BARRIER PLATE H 60	1
10	2750081	ASSEMBLY PART FOR FLEXNEST	4
11	34900038	SELF-DRILLING SCREW DIN 7504	4

PART LIST H50

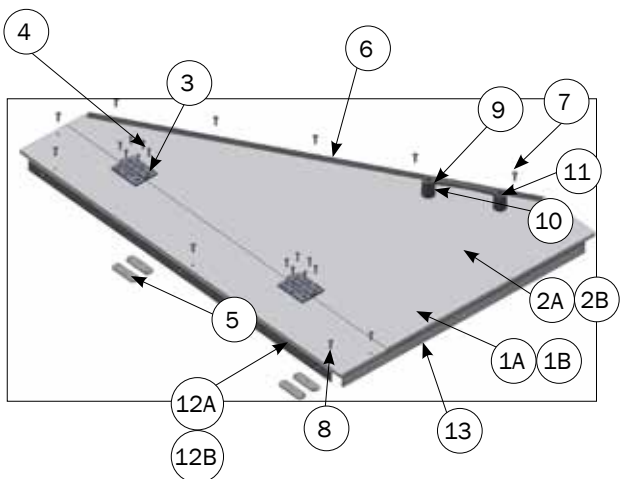
NO.	ITEM NO.	DESCRIPTION	PCS.
A	2700077	SIDE H50 FOR FLEX NEST WITH ADJUSTABLE BARRIER PLATE	
B	2700197	XL SIDE H50 FOR FLEX NEST WITH ADJUSTABLE BARRIER PLATE	
1A	8470046	SIDE H50 FOR FLEX NEST	2
1B	8470212	XL SIDE H50 FOR FLEX NEST	2
2	30900	WALLBRACKET SHORT	4
3A	8440152	SUPPORT FOR FLEXNEST, L=210	1
4A	8440150	SUPPORT FOR NEST COVER, L = 175 MM	1
4B	8440166	SUPPORT FOR FLEX NEST XL	2
5	30308020	SET SCREW A2 M8 X 20 DIN 933	4
6	68552	FLANGENUT A2 DIN 6923 - M8	4
7	39106020	CONNECTION SCREW M6X20 STAINLESS TORX 30	8
8	33506011	COLLAR HEAD NUT M6	8
9	2760080	BARRIER PLATE H 60	1
10	2750081	ASSEMBLY PART FOR FLEXNEST	4
11	34900038	SELF-DRILLING SCREW DIN 7504	4



Part list/ mounting for cover

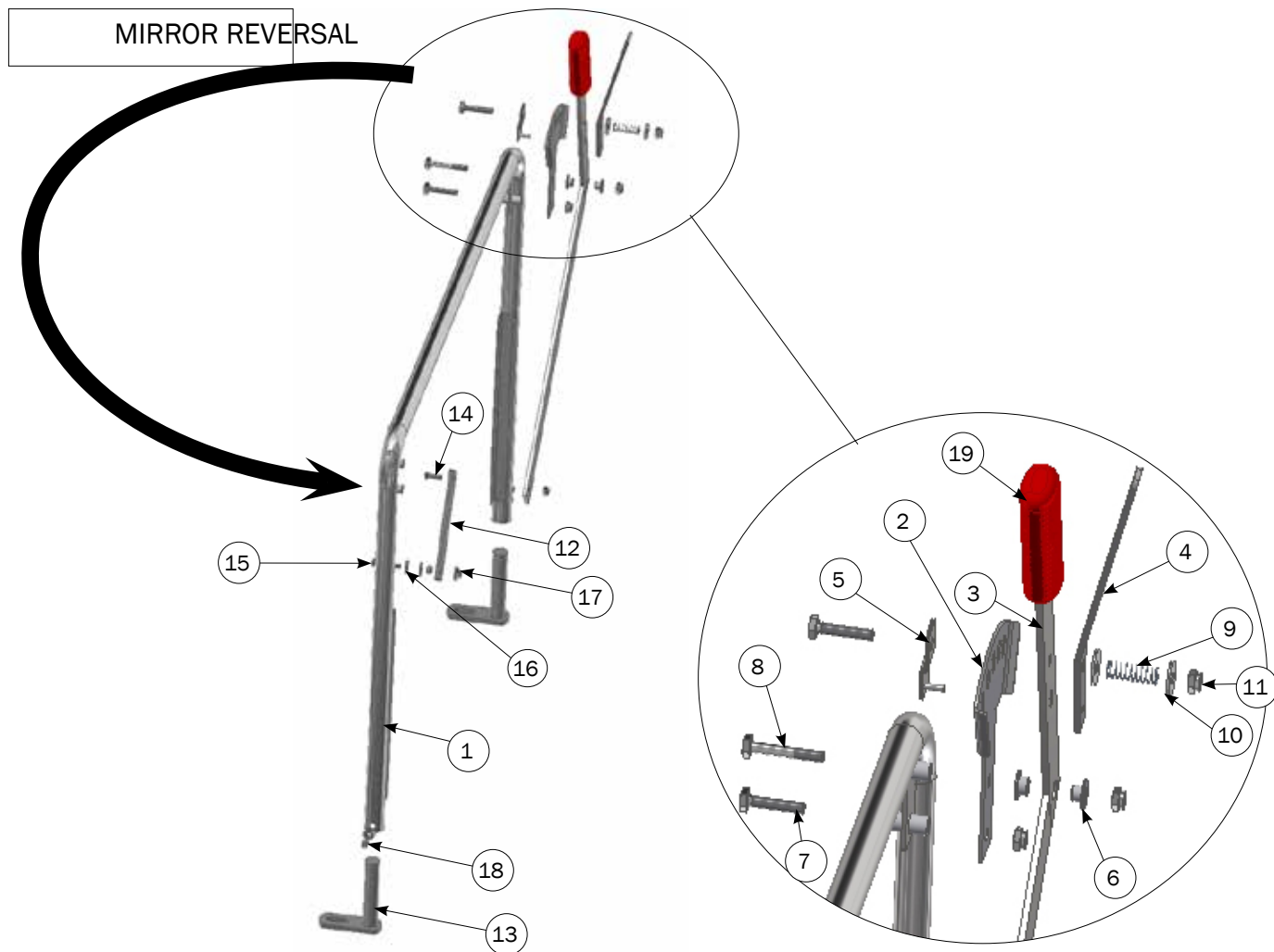


PART LIST			
NO.	ITEM NO.	DESCRIPTION	PCS.
A	2700075	COVER WITH HOLE FOR HEATING LAMP, UNASSEMBLED	
B	2700187	XL COVER WITH HOLE FOR HEATING LAMP, UNASSEMBLED	
1A	8470029	FRONT PLATE WITH HOLE FOR FLEX NEST	1
1B	8470206	XL FRONT PLATE WITH HOLE FOR FLEX NEST	1
2A	8470030	FRONT PLATE FOR FLEX NEST	1
2B	8470208	XL FRONT PLATE FOR FLEX NEST	1
3	2910590	PLASTIC HINGE	2
4	38305022	HEXAGON SOCKET SCREW M5X22 A2 DIN 7991	12
5	2920591	MOUNTING PLATE FOR SUSPEND	4
6A	44512	FRONT RAIL CLIMATE WELSAFE	1
6B	8440162	FRONT RAIL CLIMATE	1
7	39106020	CONNECTION SCREW M6X20 STAINLESS TORX 30	9
8	33506011	COLLAR HEAD NUT M6 A2 DIN 6923	9
9	9960013	BLACK PLASTIC HANDGRIB,	1
10	38308045	HEXAGON SOCKET SCREW M8X45 A2 DIN 912	2
11	33908001	LOCK NUT M8 A2 DIN 985	2
12	44509	ANGLE RAIL NO. 2 CLIMATE WELSAFE	1
13	8440151	SUPPORT FOR NESTCOVER L= 790 MM	1
14	67065	PAN HEAD ST 4.2X13 MM BZP DIN 7981C	4



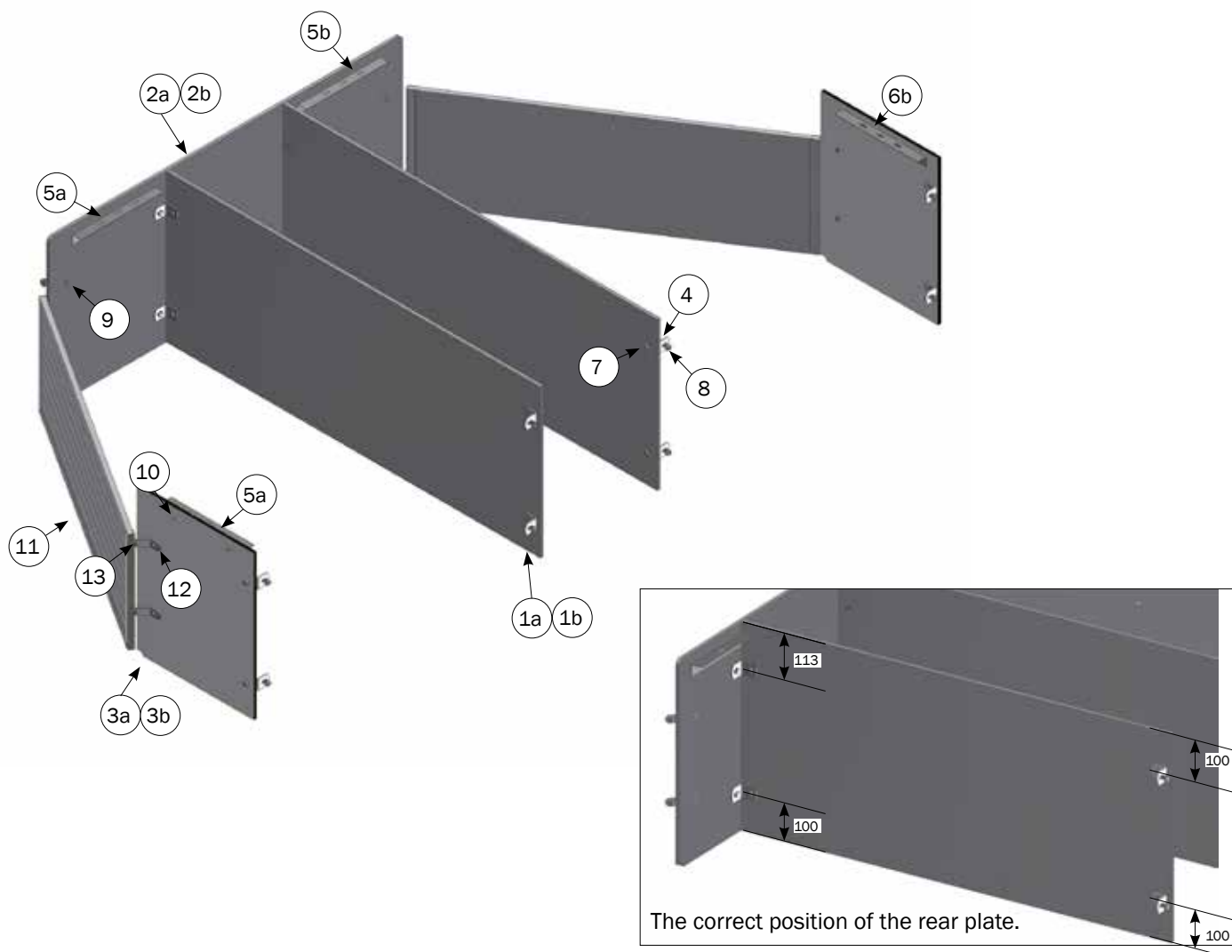
PART LIST			
NO.	ITEM NO.	DESCRIPTION	PCS.
A	2700162	COVER FOR MASTER HEATER UNASSAMOLED	
B	2700184	XL COVER FOR MASTER HEATER UNASSAMOLED	
1A	8470082	FIXED PLATE FOR FLEX NEST MASTSER HEATER	1
1B	8470168	XL FIXED PLATE FOR FLEX NEST MASTSER HEATER	1
2A	8470081	FRONT PLATE FOR FLEX NEST MASTER HEATER	1
2B	8470167	XL FRONT PLATE FOR FLEX NEST MASTER HEATER	1
3	2910590	PLASTIC HINGE	2
4	38305022	HEXAGON SOCKET SCREW M5X22 A2 DIN 7991	12
5	2920591	MOUNTING PLATE FOR SUSPEND	4
6	8440162	FRONT RAIL CLIMATE	1
7	39106020	CONNECTION SCREW M6X20 STAINLESS TORX 30	9
8	33506011	COLLAR HEAD NUT M6 A2 DIN 6923	9
9	9960013	BLACK PLASTIC HANDGRIB,	1
10	38308045	HEXAGON SOCKET SCREW M8X45 A2 DIN 912	2
11	33908001	LOCK NUT M8 A2 DIN 985	2
12A	44509	ANGLE RAIL NO. 2 CLIMATE WELSAFE	1
12B	8440172	ANGLE RAIL AGAINST SIDE FOR FIBER PIGLET NEST	1
13	8440151	SUPPORT FOR NESTCOVER L= 790 MM	1

Mounting and mirroring of adjustable locking plate



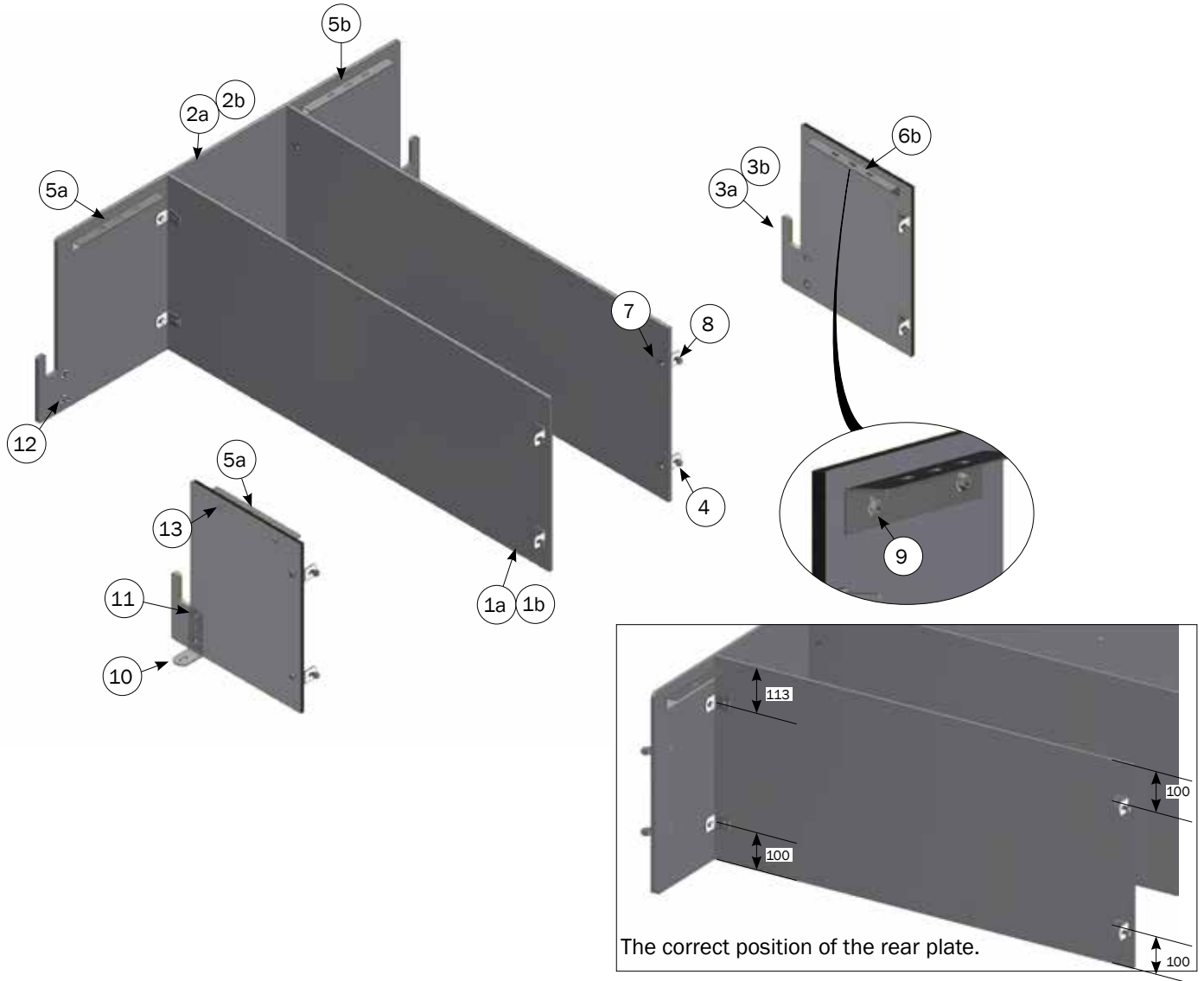
PART LIST H50			
NO.	ITEM NO.	DESCRIPTION	PCS.
	2700073	KIT FOR ADJUSTABLE BARRIER PLATE, UNASSEMBLED	
1	2720073	SLIDING RAIL FOR FLEX NEST	1
2	2720108	LOCKING CAM	1
3	2720102	LEVER ARM FOR BARRIERPLATE	1
4	2720104	LOCK HANDLE	1
5	2720103	LOCK FOR LEVER ARM	1
6	42229	BUSH FOR FENDER	1
7	30310050	SET SCEW A2 M10 X 50 DIN 933	2
8	32310065	MACHINE SCREW M10X65 DIN 931	1
9	58535	SPRING 1.5 X 15 X 45.5 MM SS	1
10	35900085	NUTWASHER A2 10 MM DIN 9021	2
11	33900029	LOCK NUT A2 M10 DIN 985	3
12	2720105	CONNECTION ROD	1
13	1220078	ADJUSTABLE POST Ø25/125	2
14	30308025	SET SCREW M8X25 A2 DIN 933	1
15	30308050	SET SCREW M8X50 A2 DIN 933	1
16	35600058	NUT WASHER Ø8X8,4/24/2 DIN9021	3
17	33908001	LOCK NUT A2 M8 DIN 985	3
18	38310016	PINOLSKRUE M10X16 RF	2
19	59444	SOFT HANDLE FOR FL. STEEL 40X8	1

Side flex and XL flex nest with adjustable barrier plate walkway



PART LIST			
NO.	ITEM NO.	DESCRIPTION	PCS.
a	2700224	SIDE XL FLEX NEST WITH ADJUSTABLE BARRIER PLATE WALKWAY	
b	2700514	SIDE FLEX NEST WITH ADJUSTABLE BARRIER PLATE WALKWAY	
1a	8470244	REAR PLATE FOR SINGLE XL FLEX NEST	2
1b	8470245	REAR PLATE FOR SINGLE FLEX NEST	2
2a	8470246	DOUBLE PLATE WALKWAY XL FLEX NEST	1
2b	8470242	DOUBLE PLATE WALKWAY FLEX NEST	1
3a	8470212	SIDE H50 FOR FLEX NEST XL	2
3b	8470046	SIDE H50 FOR FLEX NEST	2
4	30900	WALL BRACKET SMALL	12
5a	8440166	SUPPORT FOR FLEX NEST XL	4
5b	8440152	SUPPORT FOR NESTCOVER L= 210 MM	2
6b	8440150	SUPPORT FOR NESTCOVER L= 175 MM	2
7	30308020	SET SCREW M8X20 A2 DIN 933	24
8	68552	COLLAR HEAD NUT M8 A2 DIN 6923	24
9	33506011	COLLAR HEAD NUT M6 A2 DIN 6923	16
10	39106020	CONNECTION SCREW M6X20 STAINLESS TORX 30	16
11	2760059	BARRIER PLATE H50	2
12	2750081	ASSEMBLY PART FOR FLEXNEST	8
13	34900038	SELF-DRILLING SCREW WITH COLLAR ST 6.3X19 BZP DIN 7504K	8

Side flex and XL flex nest with removable retaining plate walkway

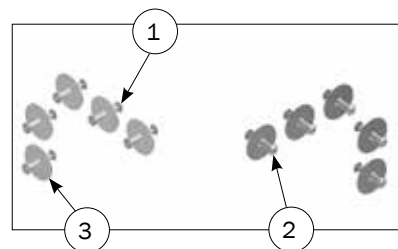


PART LIST			
NO.	ITEM NO.	DESCRIPTION	PCS.
a	2700223	SIDE XL FLEX NEST WITH REMOVABLE RETAINING PLATE WALKWAY	
b	2700513	SIDE FLEX NEST WITH REMOVABLE RETAINING PLATE WALKWAY	
1a	8470244	REAR PLATE FOR SINGLE XL FLEX NEST	2
1b	8470245	REARPART FOR SINGLE FLEX NEST	2
2a	8470243	DOUBLE SIDE AND WALKWAY FLEX NEST	1
2b	8470247	DOBBELT SIDE OG GANG FLEX NEST	1
3a	8470197	XL SIDE H50 FOR FLEX NEST WITHOUT REMOVEABLE RETAINING PLATE	2
3b	8470083	SIDE H50 FOR FLEX NEST WITHOUT ADJUSTTABLE RETAINING PLATE	2
4	30900	WALL BRACKET SMALL	12
5a	8440166	SUPPORT FOR FLEX NEST XL	4
5b	8440152	SUPPORT FOR NESTCOVER L= 210 MM	2
6b	8440150	SUPPORT FOR NESTCOVER L= 175 MM	2
7	30308020	SET SCREW M8X20 A2 DIN 933	24
8	68552	COLLAR HEAD NUT M8 A2 DIN 6923	32
9	33506011	COLLAR HEAD NUT M6 A2 DIN 6923	8
10	4950644	FLOOR ANGLE 133X44X70 MM A2 HIGH	4
11	36308025	MUSHROOMHEADED BOLT M8X25 A2 DIN 603	8
12	35600058	WASHER Ø8.4X24X2 MM A2 DIN 9021	8
13	39106020	CONNECTION SCREW M6X20 STAINLESS TORX 30	8

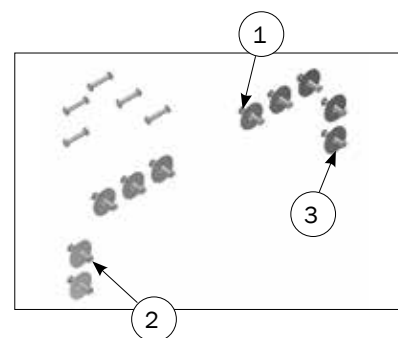
M-6228_GB

Part list

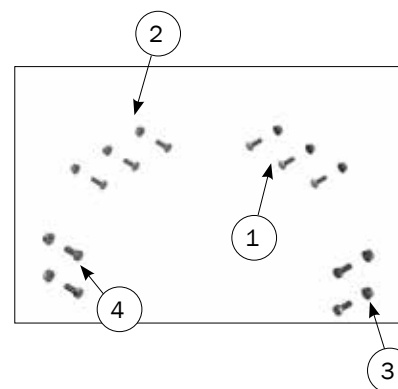
PART LIST			
NO.	ITEM NO.	DESCRIPTION	PCS.
	2700086	MOUNTING KIT SINGLE FLEX NEST BOARDPROFILE/BOARDPROFILE	
1	39106020	CONNECTION SCREW M6X20 STAINLESS TORX 30	10
2	39206037	SPLICING SLEEVE M6X37 STAINLESS TORX 30	10
3	20037	MASTER CLAMP WASHER Ø10.5X45X1.5 MM A2	10



PART LIST			
NO.	ITEM NO.	DESCRIPTION	PCS.
	2700083	MOUNTING KIT DOUBLE FLEX NESTBOARDPROFILE/BOARDPROFILE	
1	39106020	CONNECTION SCREW M6X20 STAINLESS TORX 30	10
2	39206037	SPLICING SLEEVE M6X37 STAINLESS TORX 30	15
3	20037	MASTER CLAMP WASHER Ø10.5X45X1.5 MM A2	10

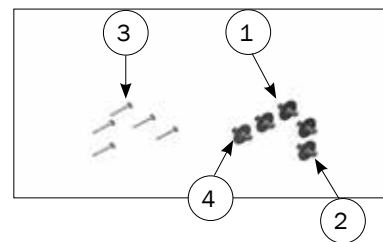


PART LIST			
NO.	ITEM NO.	DESCRIPTION	PCS.
	2700078	MOUNTING KIT FOR FLEX NEST PLATE/PLATE	
1	39106020	SET SCREW M6X20 A2 DIN 933	6
2	33506011	COLLAR HEAD NUT M6 A2 DIN 6923	6
3	68552	COLLAR HEAD NUT M8 A2 DIN 6923	4
4	30308020	SET SCREW M8X20 A2 DIN 933	4

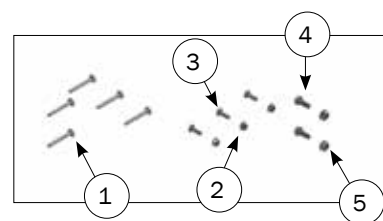


Part list

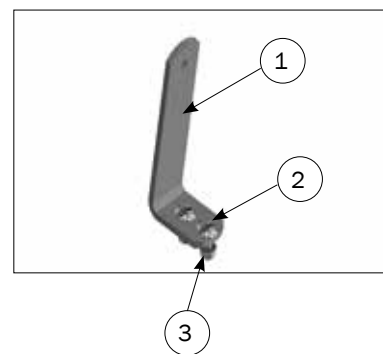
PART LIST			
NO.	ITEM NO.	DESCRIPTION	PCS.
	2700085	MOUNTING KIT SINGLE FLEX NESTBOARDPROFILE/WALL	
1	39106020	CONNECTION SCREW M6X20 STAINLESS TORX 30	5
2	39206037	SPLICING SLEEVE M6X37 STAINLESS TORX 30	5
3	39406050	CONCRETE SCREW 6,5 X 50 STAINLESS STEEL	5
4	20037	MASTER CLAMP WASHER Ø10.5X45X1.5 MM A2	5



PART LIST			
NO.	ITEM NO.	DESCRIPTION	PCS.
	2700084	MOUNTING KIT SINGLE FLEX NESTPLATE/WALL	
1	39406050	CONCRETE SCREW 6,5 X 50 STAINLESS STEEL	5
2	33506011	COLLAR HEAD NUT M6 A2 DIN 6923	3
3	39106020	CONNECTION SCREW M6X20 STAINLESS TORX 30	3
4	30308020	SET SCREW M8X20 A2 DIN 933	2
5	68552	COLLAR HEAD NUT M8 A2 DIN 6923	2



PART LIST			
NO.	ITEM NO.	DESCRIPTION	PCS.
	2700166	SUPPORT KIT FOR COVER WITH PLATE	
1	2720097	SUPPORT BRACKET FOR NEST COVER WITH PLATE	
2	36308025	MUSHROOMHEADED BOLT M8X25 A2 DIN 603	
3	68552	COLLAR HEAD NUT M8 A2 DIN 6923	



PART LIST			
NO.	ITEM NO.	DESCRIPTION	PCS.
1	2760015	BASE PLATE FOR PIGLET NEST WELSAFE	1

