

|M-6231\_GB|

# MOUNTING INSTRUCTIONS



## INN-O-CRATE

FARROWING RAIL WITH FRONT GATE AND INWARD TILTED TROUGH

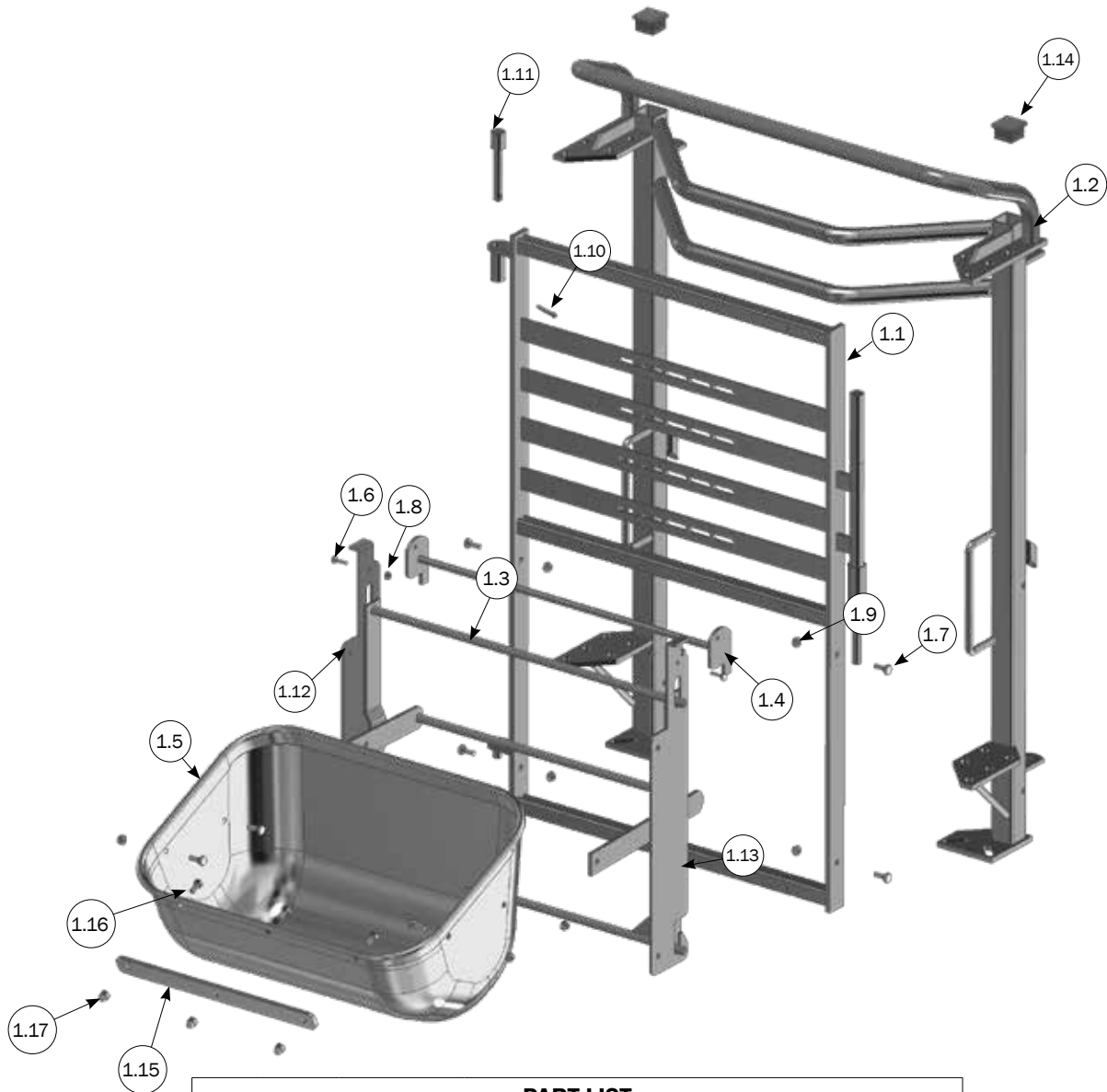


**ACO FUNKI A/S**  
Kirkevænget 5  
DK-7400 Herning

Tel. +45 9711 9600  
[www.acofunki.com](http://www.acofunki.com)  
[www.egebjerg.com](http://www.egebjerg.com)

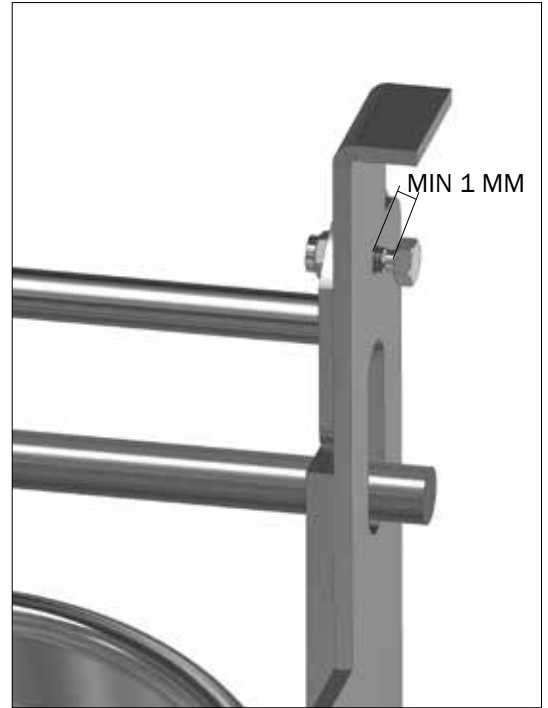
DANISH DESIGN | GERMAN QUALITY | GLOBAL EXPERIENCE

# PART LIST FOR FARROWING RAIL WITH FRONT GATE AND INWARD TILTED TROUGH



PART LIST			
NO.	PCS.	ITEM NO.	DESCRIPTION
1	1	2700099	FARROWING RAIL WITH FRONT GATE AND INWARD TILTED TROUGH
1.1	1	2710088	FRONT GATE MOUNTED FOR TILT TROUGH
1.2	1	2720087	FARROWING RAIL FOR TILT TROUGH
1.3	1	2720089	BRACKET FOR INWARD TILTED TROUGH
1.4	1	2720090	LOCKING BRACKET FOR TILT TROUGH
1.5	1	2950721	TROUGH WITH HOLES FOR SUPPORT BAR
1.6	2	30306020	SET SCREW M6X20 A2 DIN 933
1.7	8	30308020	SET SCREW M8X20 A2 DIN 933
1.8	2	33596010	LOCK NUT M6 A2 DIN 985 WAXED
1.9	8	33908001	LOCK NUT M8 A2 DIN 985 WAXED
1.10	1	35900095	SPLIT PINS 4X40 MM A2 DIN 94
1.11	1	42249	PIN FOR MOVEABLE SIDE 14 MM FARROWING XL 2009
1.12	1	58585	LOCKING PLATE LEFT FOR INWARD TILTED TROUGH
1.13	1	58586	LOCKING PLATE RIGHT FOR INWARD TILTED TROUGH
1.14	2	9960003	CAP 40 X 40 X 3
1.15	1	8050246	STAINLESS SUPPORT BAR
1.16	3	30308016	SET SCREW M8X16 A2 DIN 933
1.17	3	33208001	CAP NUT M8 A2 DIN 1587

## MOUNTING OF TROUGH ON BRACKET



## MOUNTING OF COMPLETE TROUGH ON FRONT GATE



## BY MIRROR REVERSAL



## MOUNTING OF FRONT GATE WITH INWARD TILTED TROUGH ON FARROWING RAIL

