

# MOUNTING INSTRUCTIONS



## INN-O-CRATE

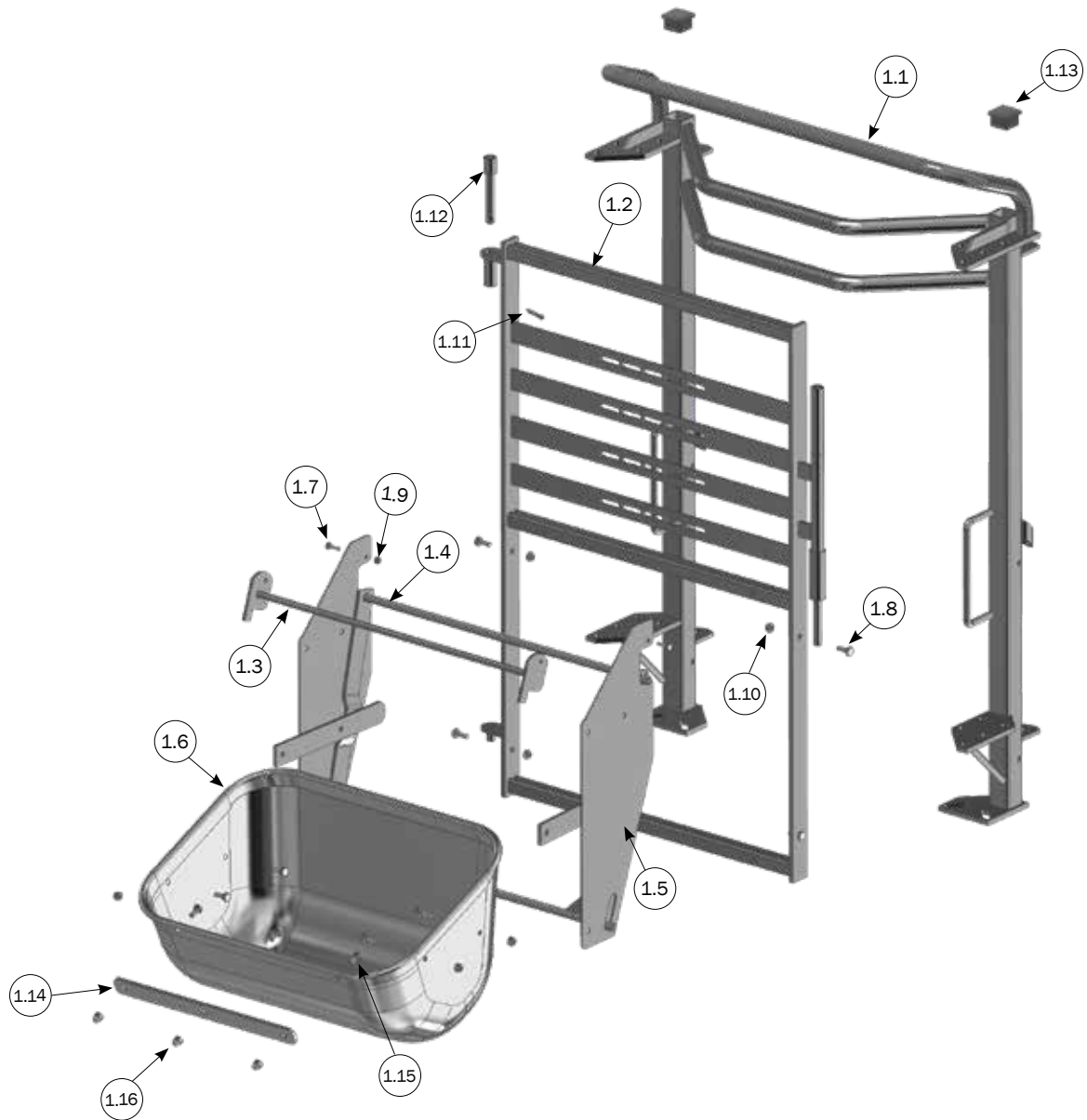
FARROWING RAIL WITH FRONT GATE AND OUTWARD TILTED TROUGH



**ACO FUNKI A/S**  
Kirkevænget 5  
DK-7400 Herning

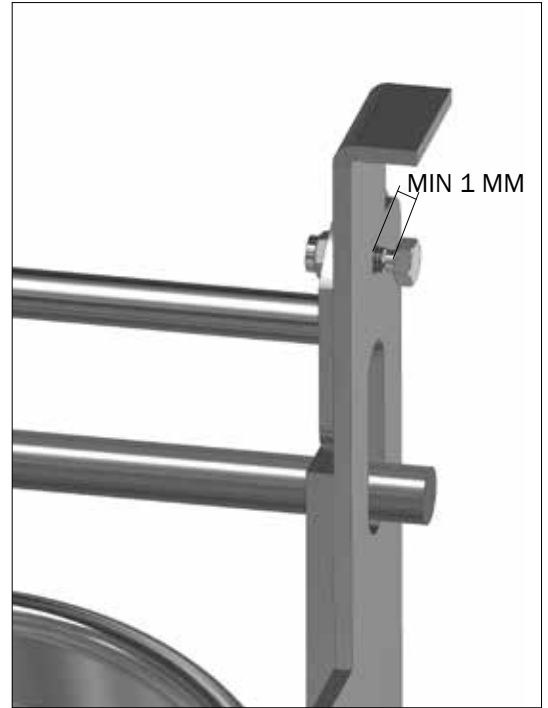
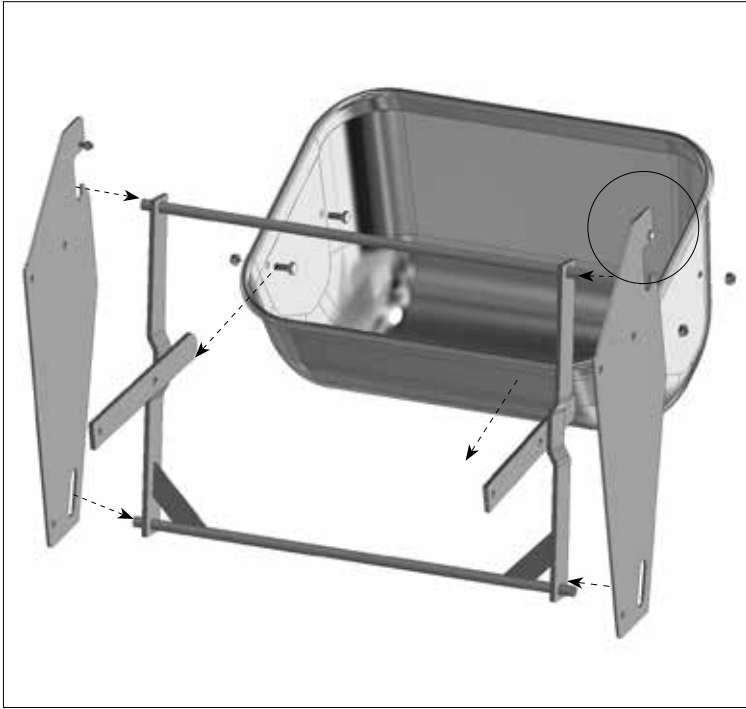
Tel. +45 9711 9600  
[www.acofunki.com](http://www.acofunki.com)  
[www.egebjerg.com](http://www.egebjerg.com)

# PART LIST FOR FARROWING RAIL WITH FRONT GATE AND OUTWARD TILTED TROUGH

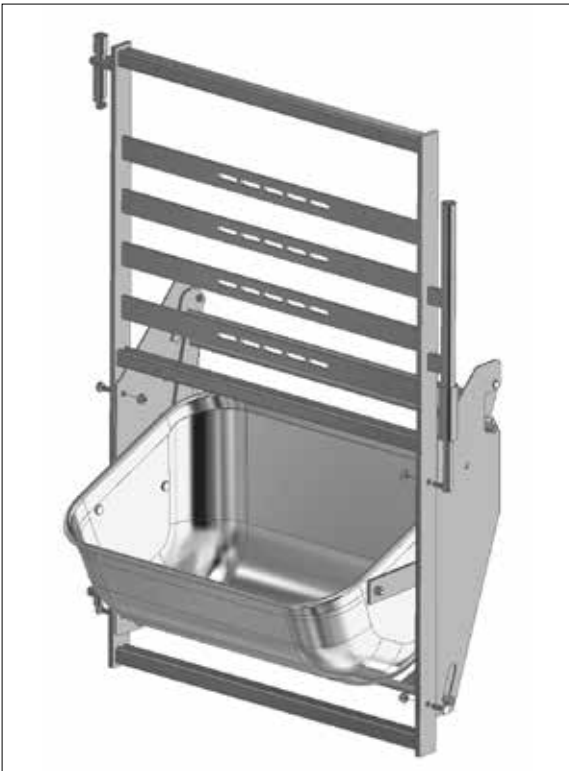


PART LIST			
NO.	PCS.	ITEM NO.	DESCRIPTION
1	1	2700100	FARROWING RAIL WITH FRONT GATE AND OUTWARD TILTED TROUGH
1.1	1	2720087	FARROWING RAIL FOR TILT TROUGH
1.2	1	2710088	FRONT GATE MOUNTED FOR TILT TROUGH
1.3	1	2720090	LOCKING BRACKET FOR TILT TROUGH
1.4	1	2720137	BRACKET FOR OUTWARD TILTED TROUGH
1.5	2	2720138	LOCKING PLATE FOR OUTWARD TILTED TROUGH
1.6	1	2950721	TROUGH WITH HOLES FOR SUPPORT BAR
1.7	2	30306020	SET SCREW M6X20 A2 DIN 933
1.8	8	30308020	SET SCREW M8X20 A2 DIN 933
1.9	2	33596010	LOCK NUT M6 A2 DIN 985 WAXED
1.10	8	33908001	LOCK NUT M8 A2 DIN 985 WAXED
1.11	1	35900095	SPLIT PINS 4X40 MM A2 DIN 94
1.12	1	42249	PIN FOR MOVEABLE SIDE 14 MM FARROWING XL 2009
1.13	2	9960003	CAP 40 X 40 X 3
1.14	1	8050246	STAINLESS SUPPORT BAR
1.15	3	30308016	SET SCREW M8X16 A2 DIN 933
1.16	3	33208001	CAP NUT M8 A2 DIN 1587

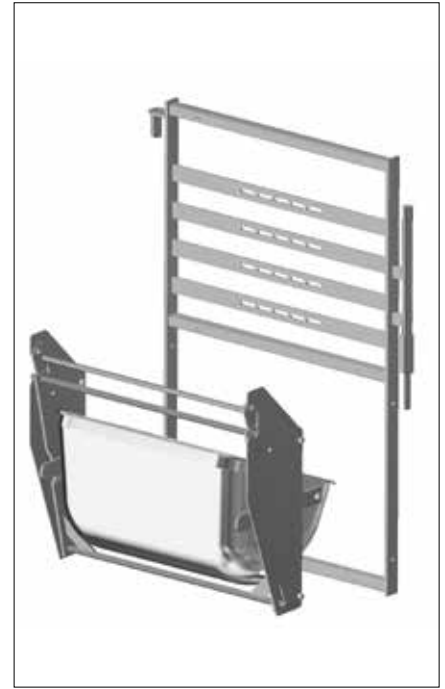
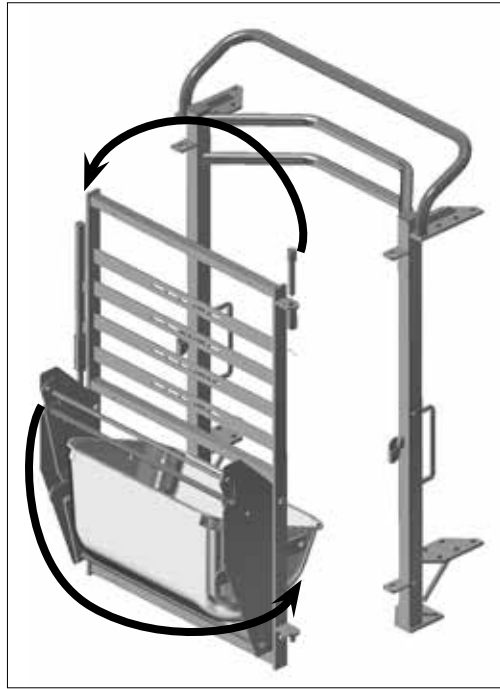
## MOUNTING OF TROUGH ON BRACKET



## MOUNTING OF COMPLETE TROUGH ON FRONT GATE



## BY MIRROR REVERSAL



## MOUNTING OF FRONT GATE WITH OUTWARD TILTED TROUGH ON FARROWING RAIL

