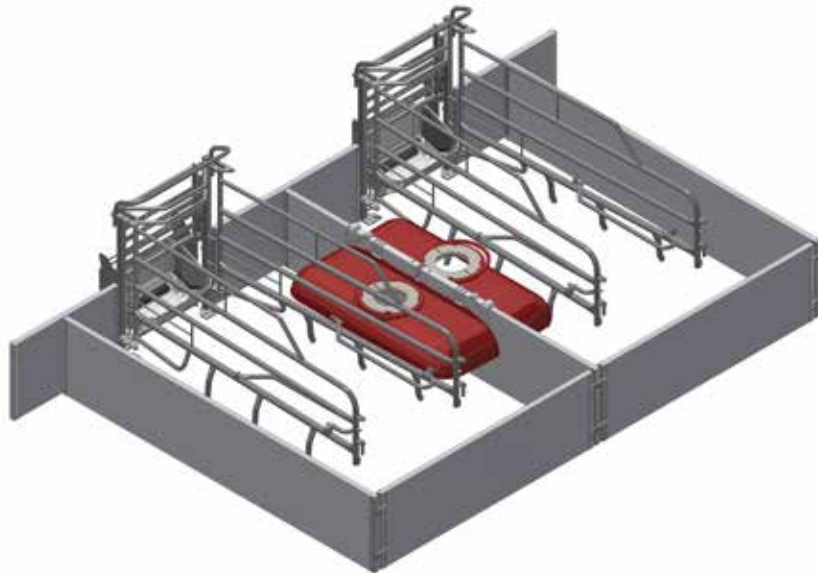
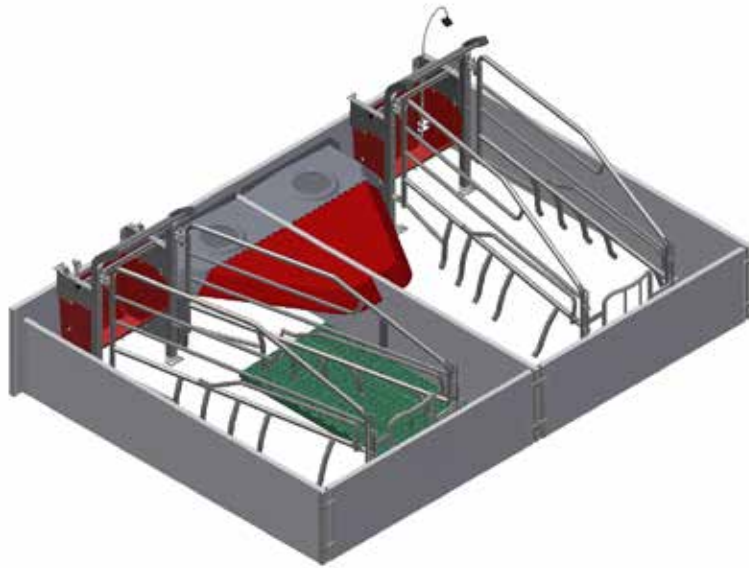


MOUNTING INSTRUCTIONS



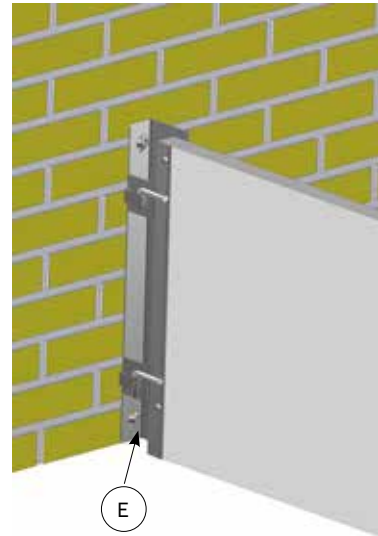
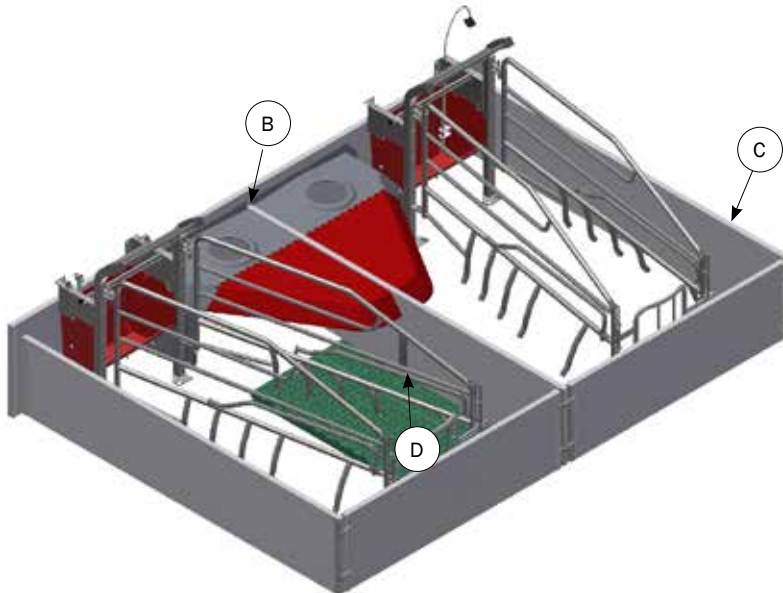
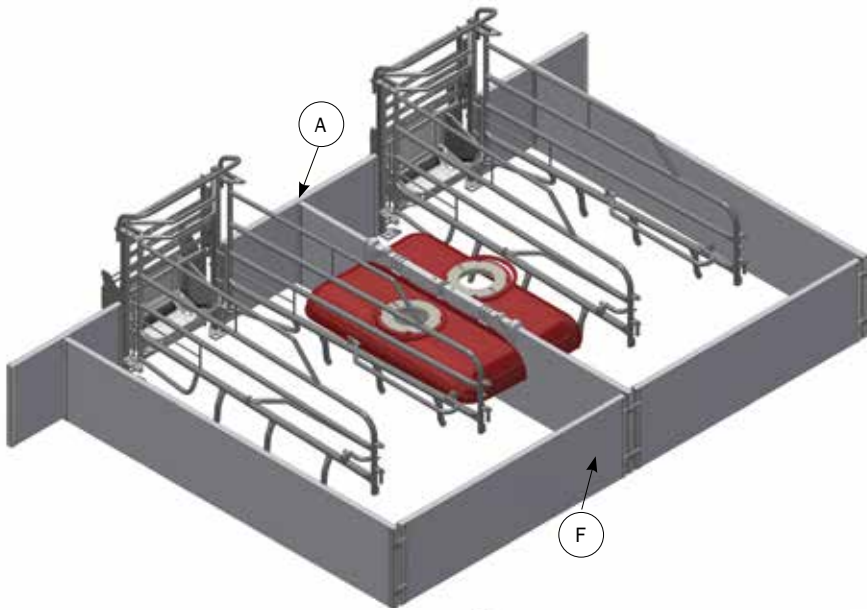
**FARROWING
STAINLESS STEEL**



ACO FUNKI A/S
Kirkevænget 5
DK-7400 Herning

Tel. +45 9711 9600
www.acofunki.com
www.egebjerg.com

DESCRIPTION

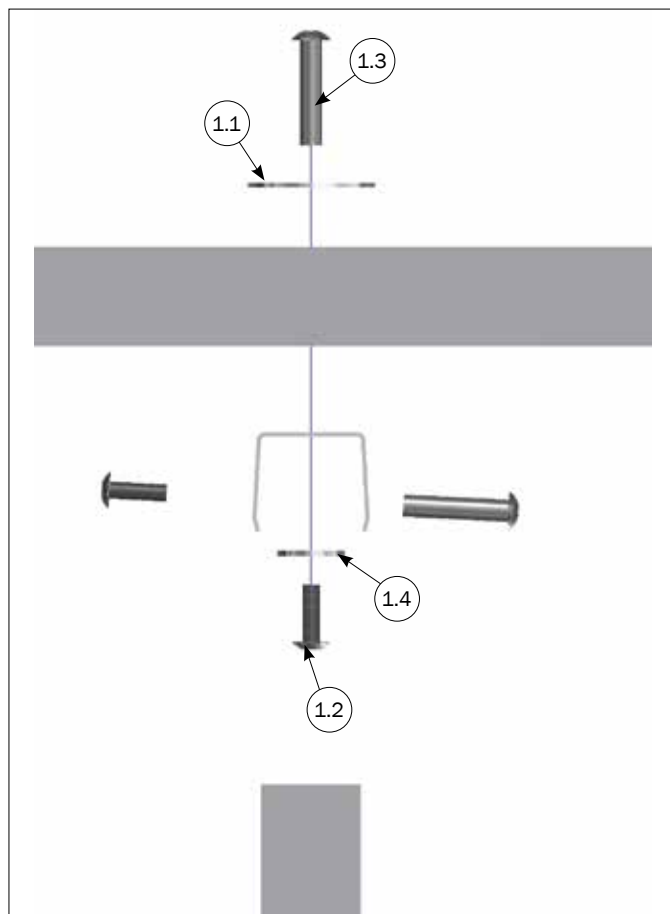
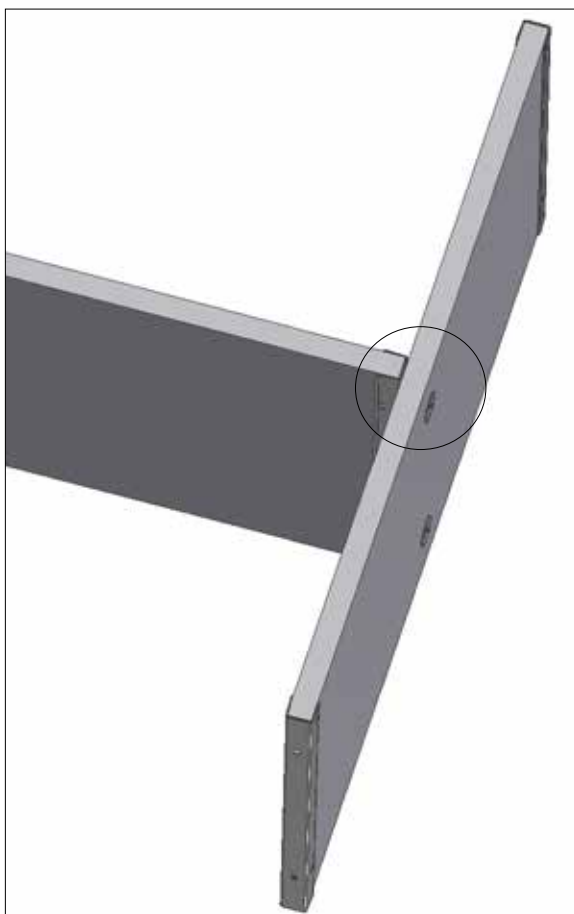


NO.	SIDE	DESCRIPTION
A	3	MOUNTING OF PARTITION AGAINST BOARDPROFILE H50
B	4	MOUNTING OF PARTITION AGAINST BOARDPROFILE H60
C	5	MOUNTING OF SIDE WITH U-POST TO GATE
D	6	STABILIZATION FOR PARTITION IN PLASTIC SLAT
E	7	MOUNTING AGAINST WALL
F	8	ASSEMBLED GATE

WHEN MOUNTING OF THE EQUIPMENT, REFER TO:

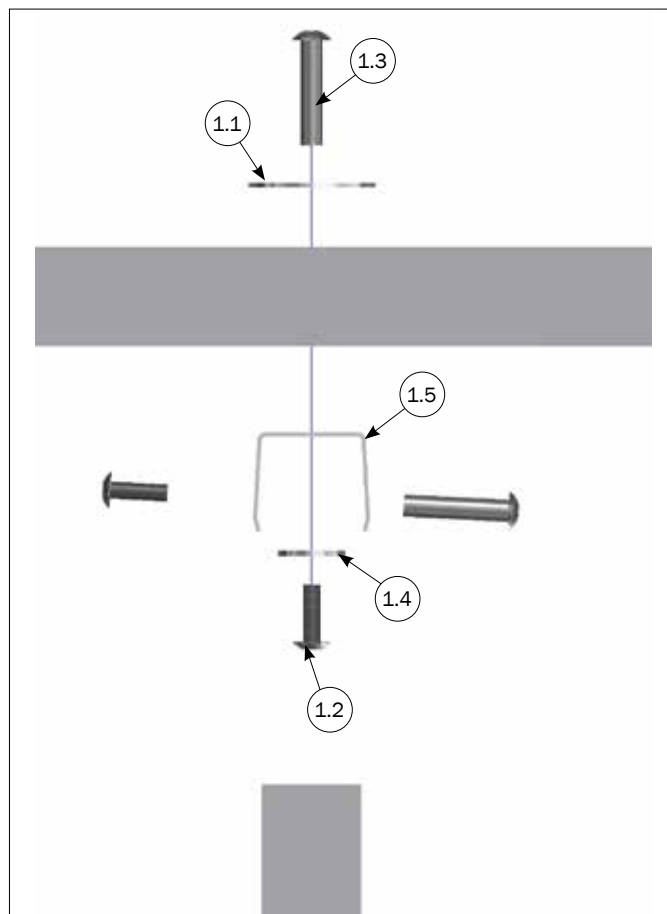
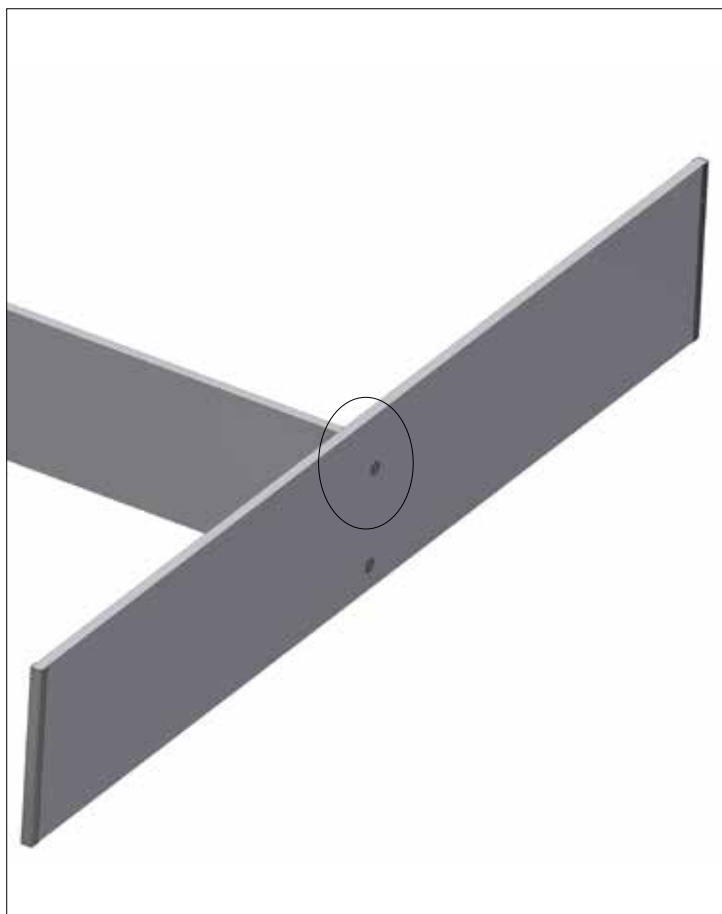
- * M-6213 - ACO FUNKI FARROWING
- * M6215 - EGEBJERG FARROWING
- * M-6231 - INN-O-CRATE - FARROWING RAIL WITH FRONT GATE AND INWARD TILTED TROUGH
- * M-6232 - INN-O-CRATE - FARROWING RAIL WITH FRONT GATE AND OUTWARD TILTED TROUGH

MOUNTING OF PARTITION AGAINST BOARDPROFILE H50



PART LIST			
NO.	PCS.	ITEM NO.	DESCRIPTION
1.1	2	20037	MASTER CLAMP WASHER Ø10,5/45 1,5 A2
1.2	2	39106020	CONNECTION SCREW M6X20 STAINLESS TORX 30
1.3	2	39206037	SPLICING SLEEVE M6X37 STAINLESS TORX 30
1.4	2	35600058	NUT WASHER Ø8X8,4/24/2 A2 DIN9021

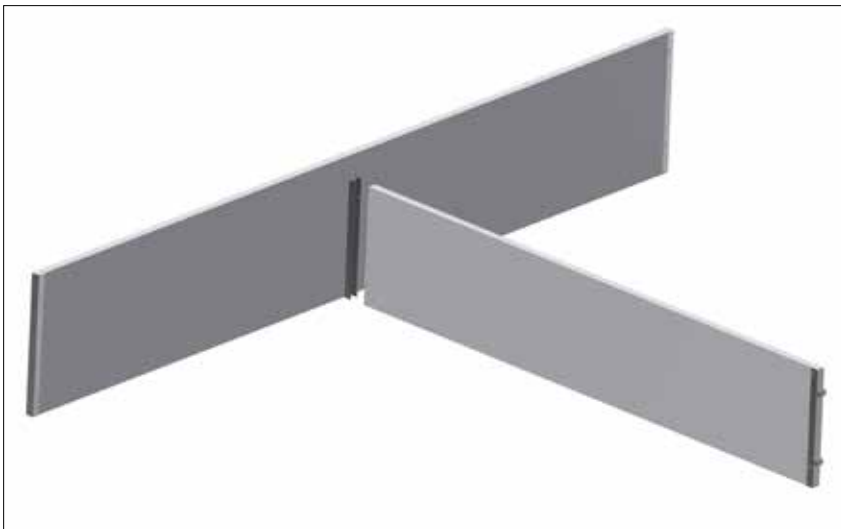
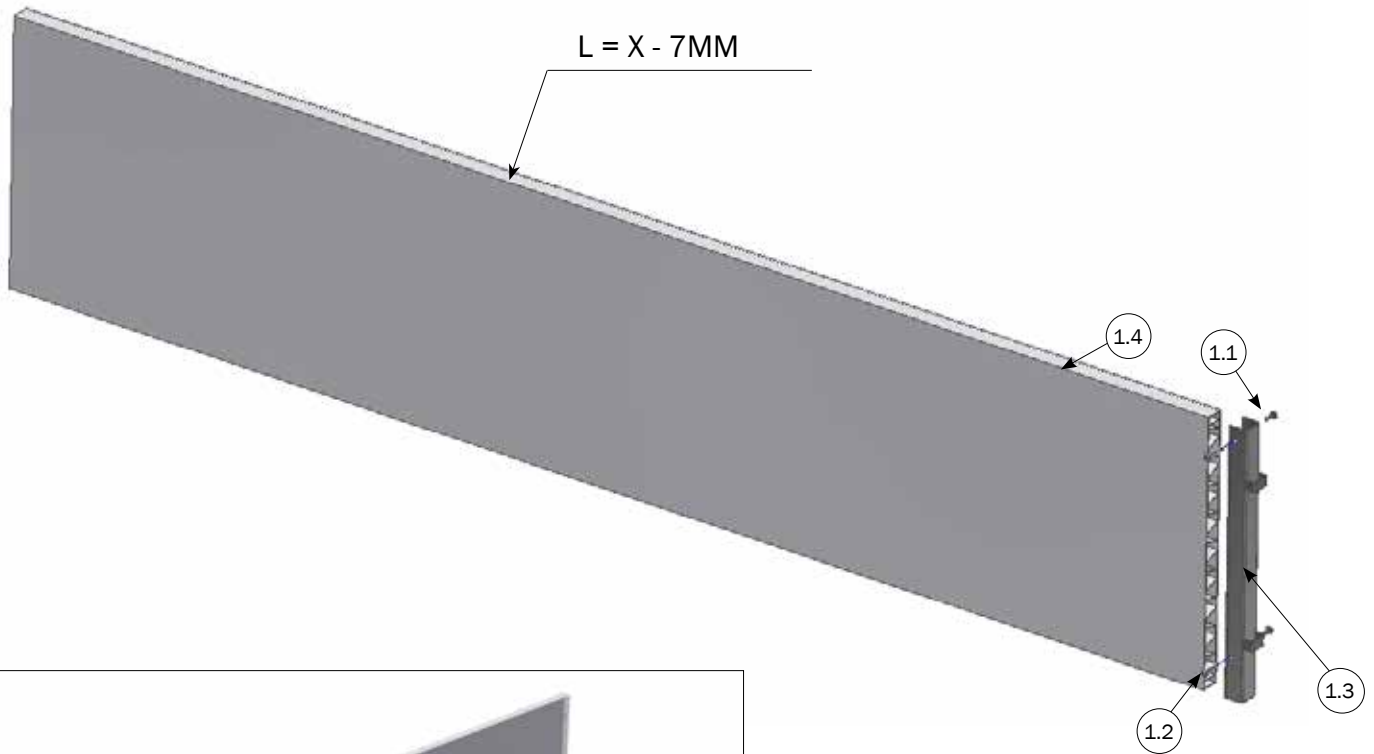
MOUNTING OF PARTITION AGAINST BOARDPROFILE H60



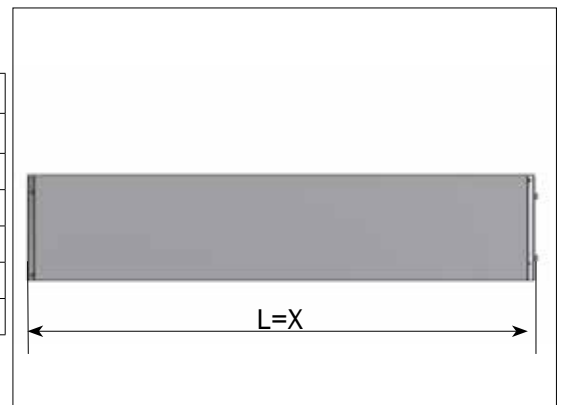
PART LIST

NO.	PCS.	ITEM NO.	DESCRIPTION
1.1	2	20037	MASTER CLAMP WASHER Ø10,5/45 1,5 A2
1.2	2	39106020	CONNECTION SCREW M6X20 STAINLESS TORX 30
1.3	2	39206037	SPLICING SLEEVE M6X37 STAINLESS TORX 30
1.4	2	35600058	NUT WASHER Ø8X8,4/24/2 A2 DIN9021
1.5	1	8450596	U-POST 35/500 MM

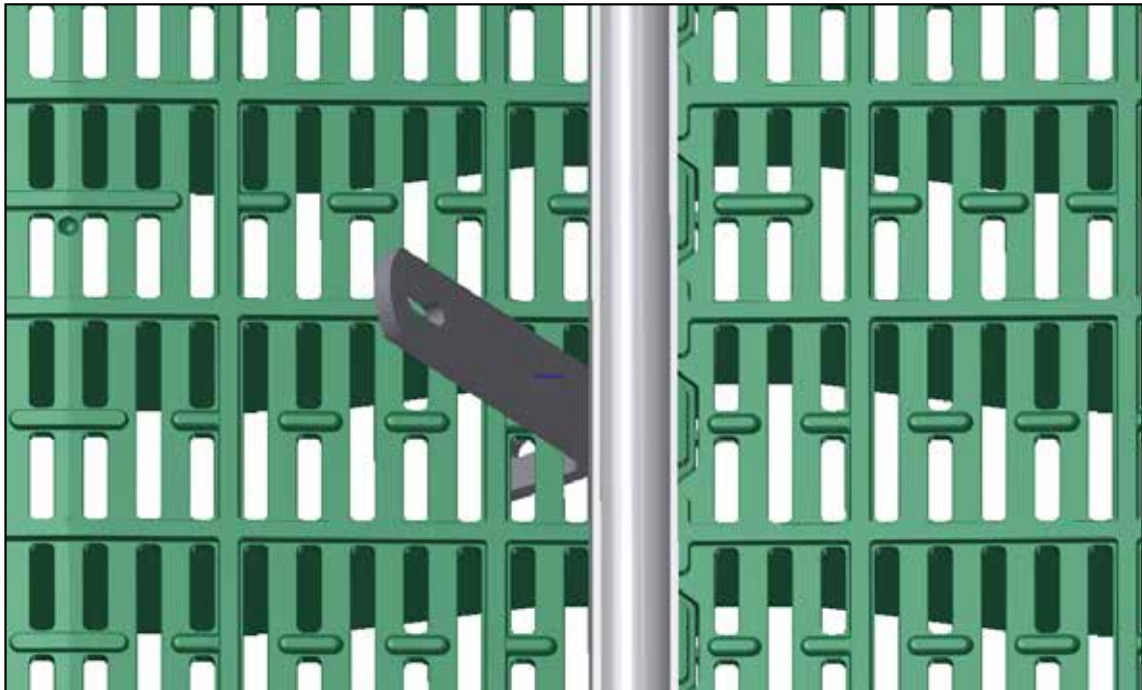
MOUNTING OF SIDE WITH U-POST TO GATE



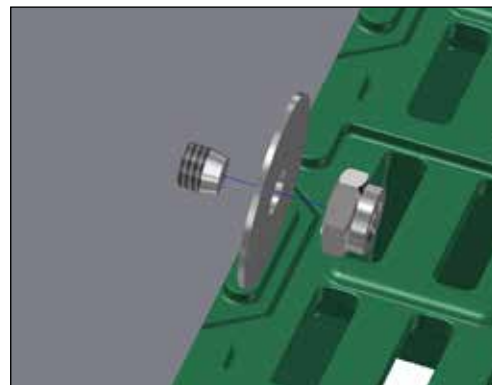
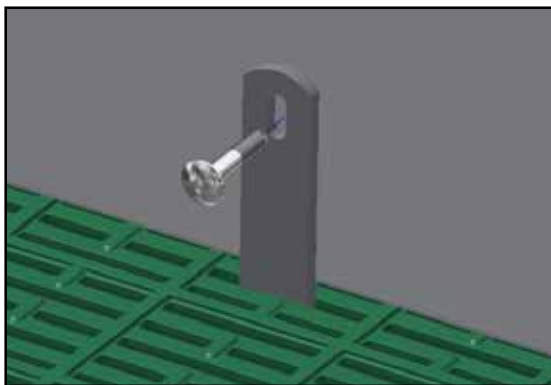
PART LIST			
NO.	PCS.	ITEM NO.	DESCRIPTION
1.1	1	8450596	U-POST 35/500 MM
1.2	4	39106020	CONNECTION SCREW M6X20 STAINLESS TORX 30
1.3	4	39206037	SPLICING SLEEVE M6X37 STAINLESS TORX 30
1.4	1	2150010	POST H50 FARROWING PEN ES
1.5	LPM	7910301	BOARDPROFILE 35X500 FLAT/FLAT SPEC. LENGTH PRICE PER METER



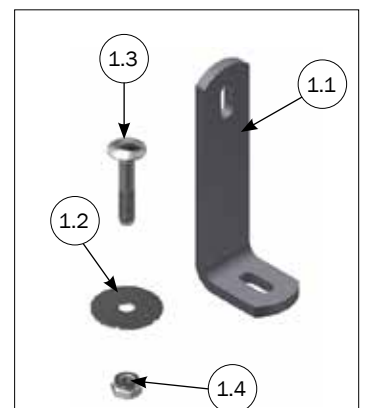
STABILIZATION FOR PARTITION IN PLASTIC SLAT



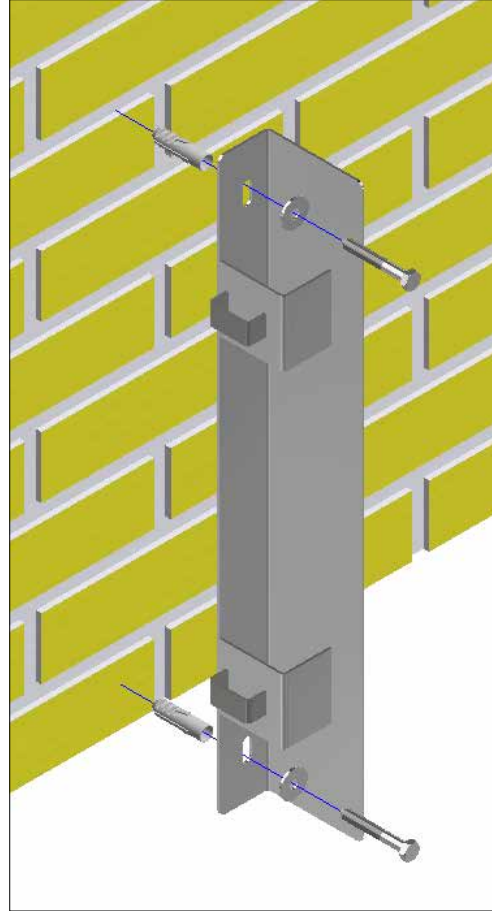
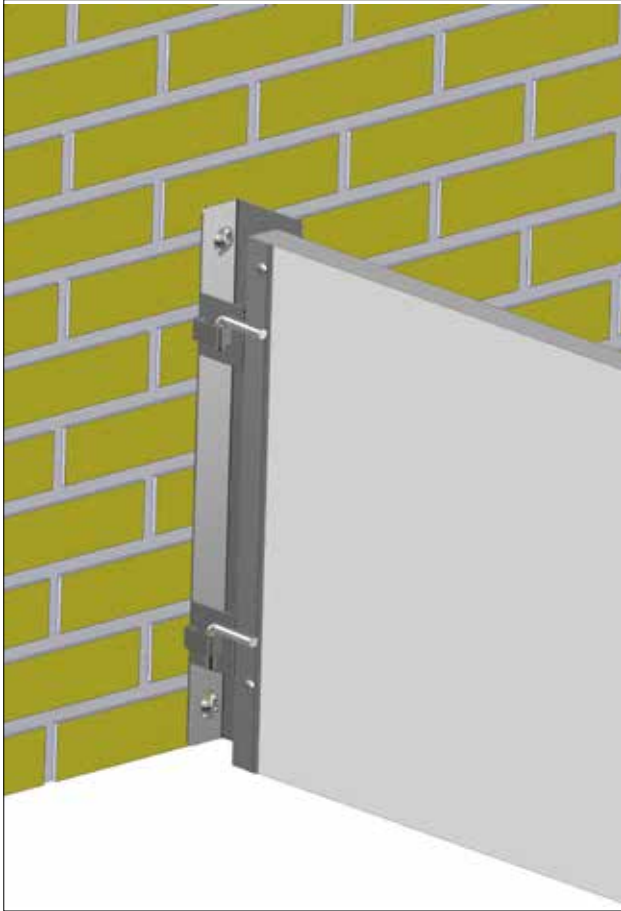
Bracing structure is placed in center of partition boardprofile ± 100 mm



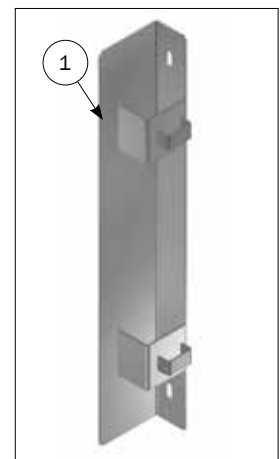
PARTS LIST			
NO.	PCS.	ITEM NO.	DESCRIPTION
1	1	1900299	STABILIZER BRACKET FOR FARROWING PARTITION
1.1	1	4915099	BRACING STRUCTURE FOR BOARDPROFILE
1.2	1	20037	MASTER CLAMP WASHER $\varnothing 10,5/45$ 1,5 A2
1.3	1	36310055	MUSHROOMHEADED BOLT M10X55 A2 DIN 603
1.4	1	33900029	LOCK NUT M10 A2 DIN 985



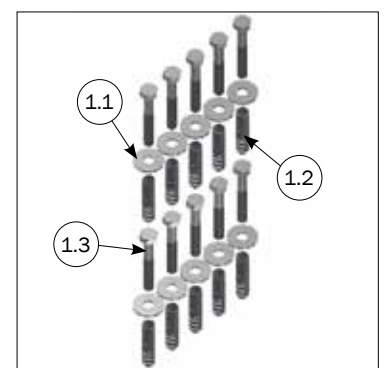
MOUNTING AGAINST WALL



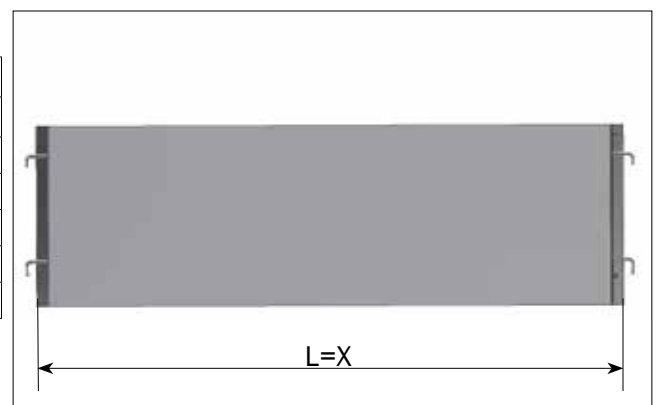
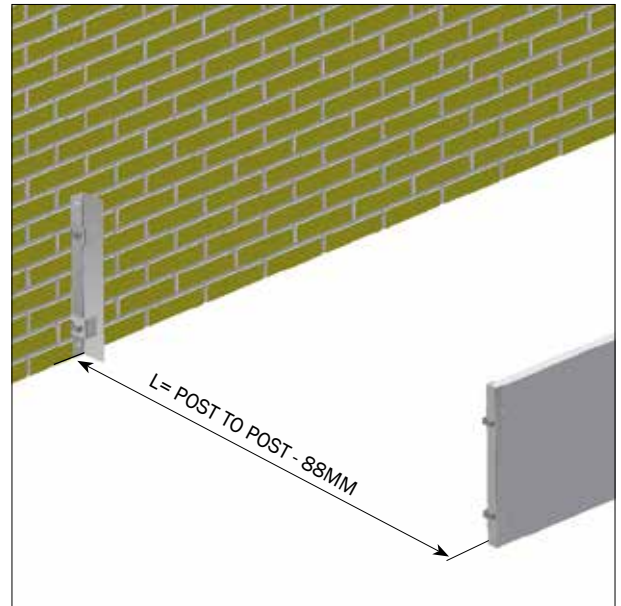
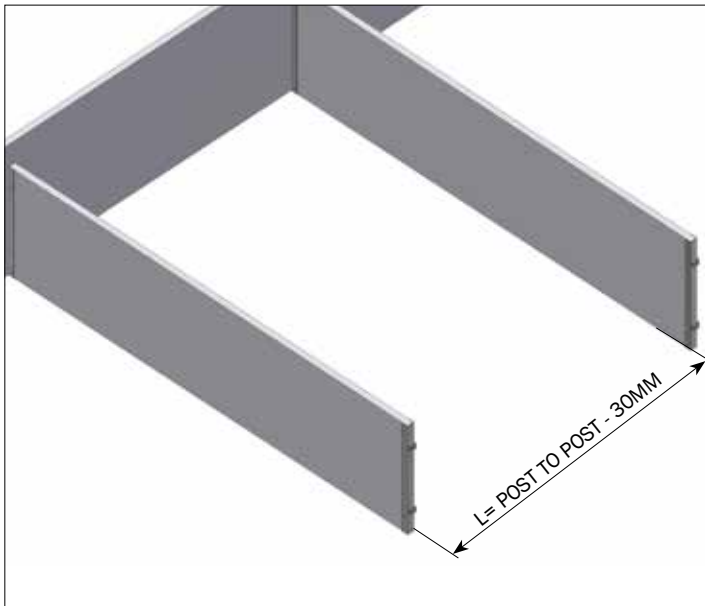
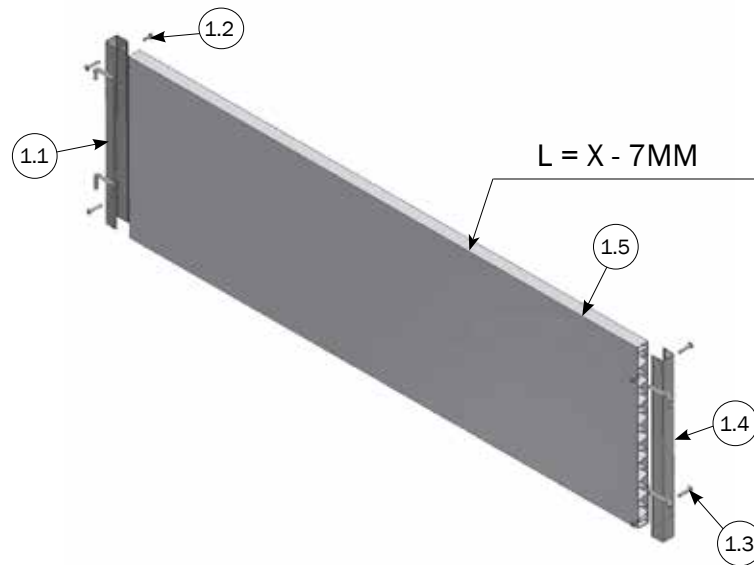
PARTS LIST			
NO.	PCS.	ITEM NO.	DESCRIPTION
1	1	550283	U-AISLE POST WALL 35/500 MM



PARTS LIST			
NO.	PCS.	ITEM NO.	DESCRIPTION
1	1	4800015	10 PCS. STAINL. COACH SCREWS M8X60 + DOWEL + WASHER
1.1	2 (10)	35600058	NUT WASHER Ø8X8,4/24/2 A2 DIN9021
1.2	2 (10)	39900120	WALL PLUG 10X50MM
1.3	2 (10)	34908061	COUCH SCREW M8X60 A2 DIN 571



ASSEMBLED GATE



STYKLISTE

NR.	STK.	VARE NR.	BESKRIVELSE
1.1	1	2150011	LEFT POST FOR GATE
1.2	4	39106020	CONNECTION SCREW M6X20 STAINLESS TORX 30
1.3	4	39206037	SPLICING SLEEVE M6X37 STAINLESS TORX 30
1.4	1	2150012	RIGHT POST FOR GATE
1.5	LPM	7910301	BOARDPROFILE 35X500 FLAT/FLATSPEC. LENGTH PRICE PER METER