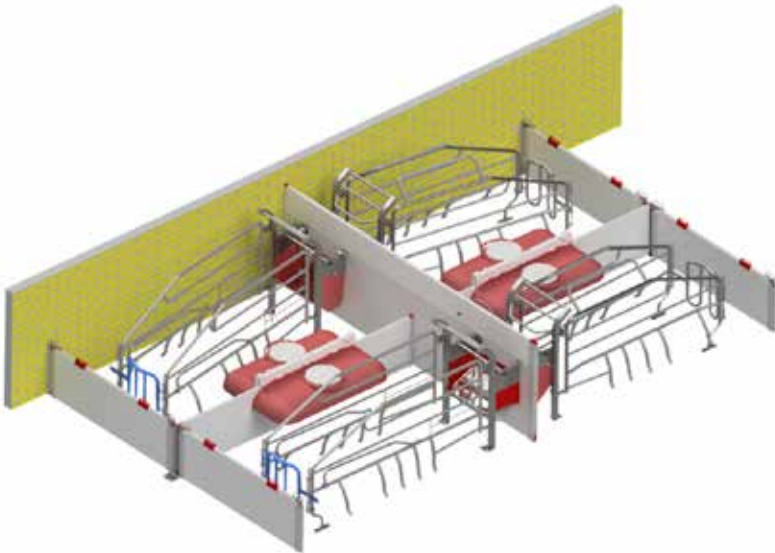
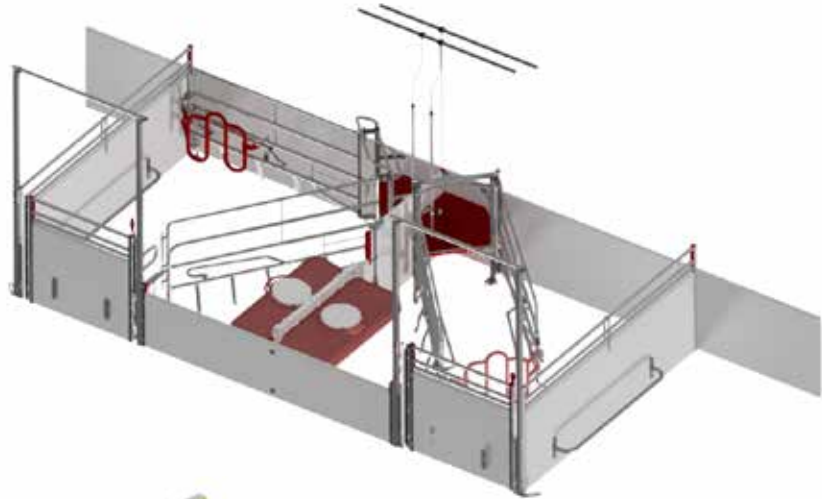


# MOUNTING INSTRUCTION



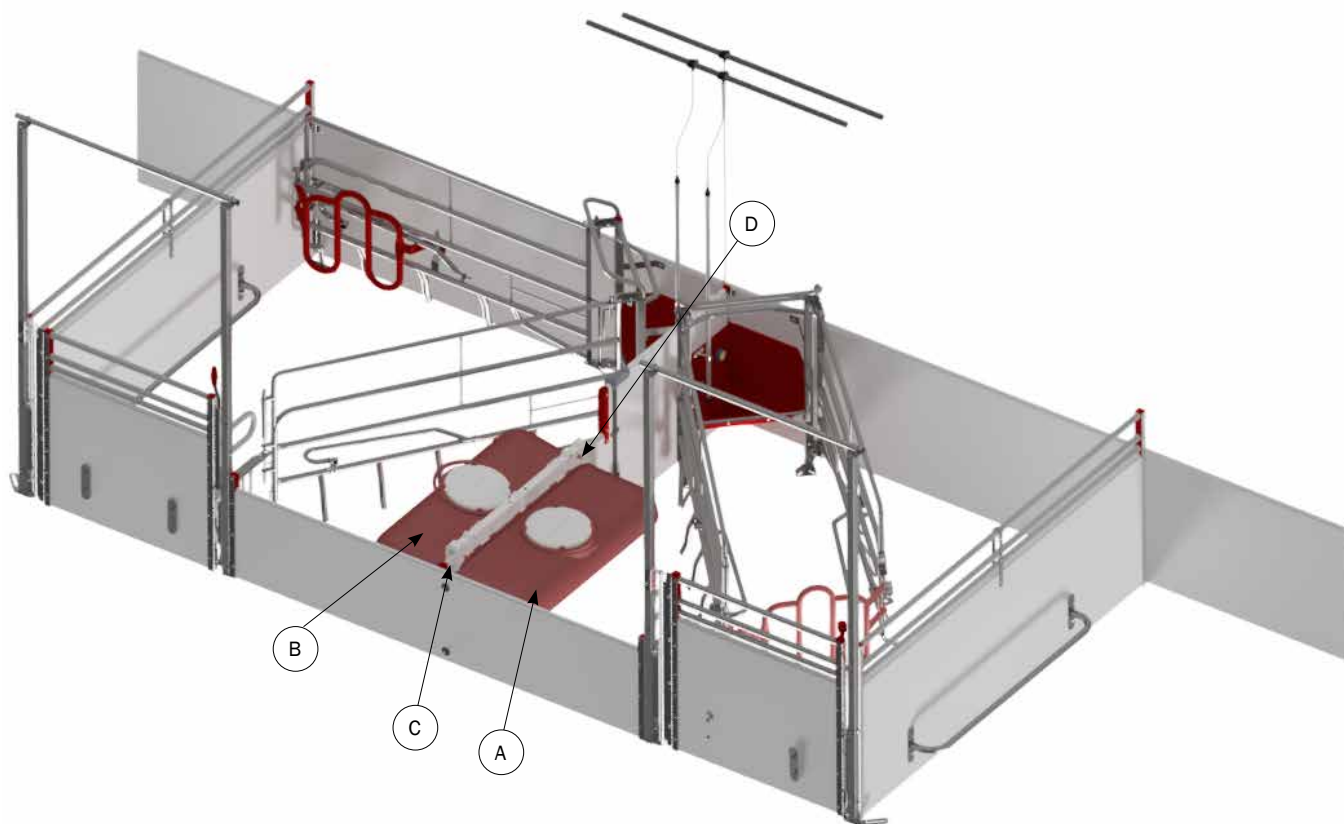
## MOBILE NEST



**ACO FUNKI A/S**  
Kirkevænget 5  
DK-7400 Herning

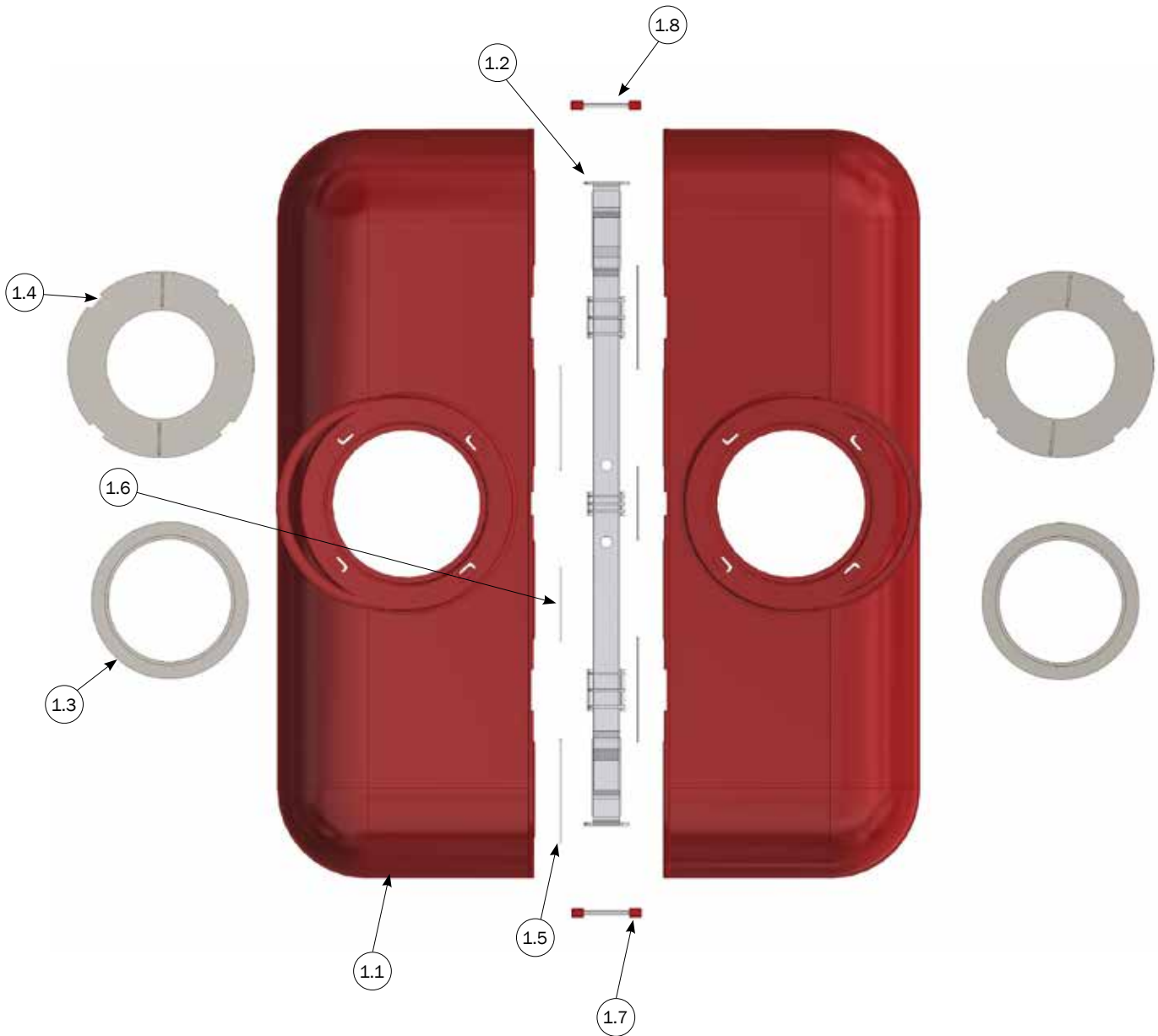
Tel. +45 9711 9600  
[www.acofunki.com](http://www.acofunki.com)  
[www.egebjerg.com](http://www.egebjerg.com)

## PRODUCT AND MOUNTING OVERVIEW



NO.	PAGE	DESCRIPTION
A	3	PARTS LIST
B	4	MOUNTING INSTRUCTIONS
C	5	MOUNTING ON 35 MM BOARDPROFILE
D	6 - 8	HIGHT ADJUSTMENT

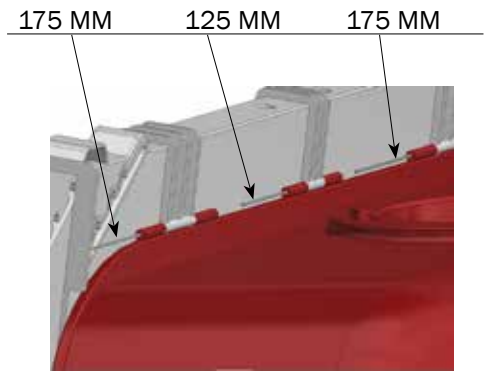
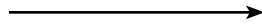
## PARTS LIST



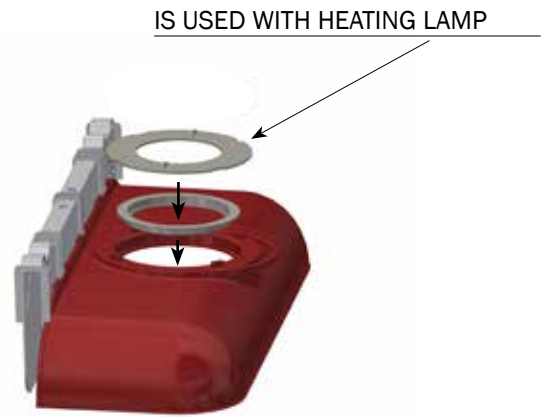
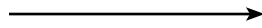
PARTS LIST			
NO.	PCS.	ITEM NO.	DESCRIPTION
1	1	2900855	MOBILE KLIMAHULE
1.1	2	8500351	LID
1.2	1	8500353	HOLDER FOR LID
1.3	2	8500352	BRUCH
1.4	2	8500354	LOCK FOR HEATING LAMP
1.5	4	8050201	PIN 175 MM
1.6	2	8050202	PIN 125 MM
1.7	4	8500267	LOCK FOR HEIGHT ADJUSTABLE THREAD SCREW
1.8	2	8050203	HEIGHT ADJUSTABLE THREAD SCREW

# MOUNTING INSTRUCTION

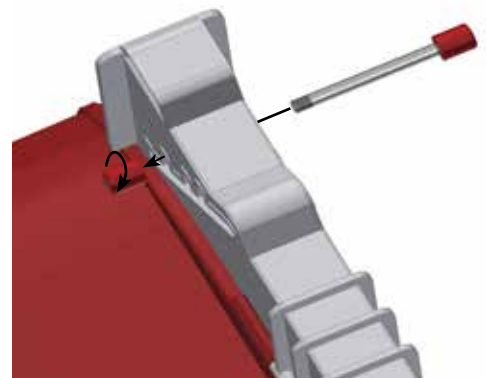
1



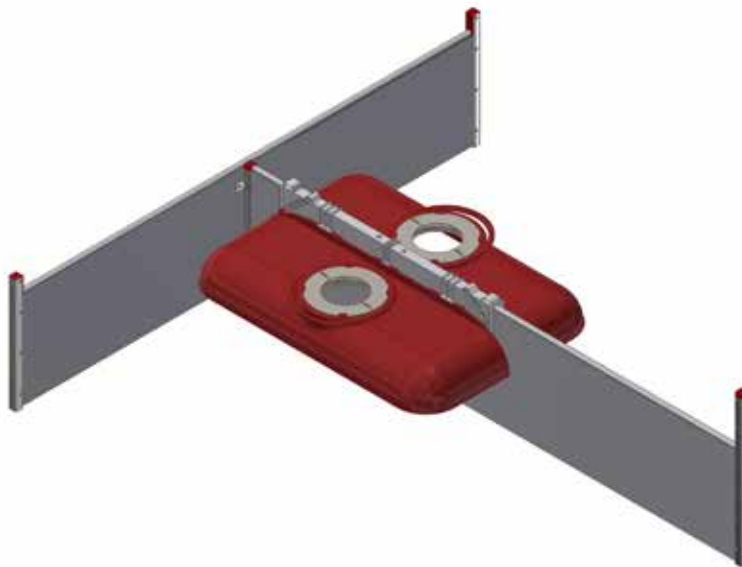
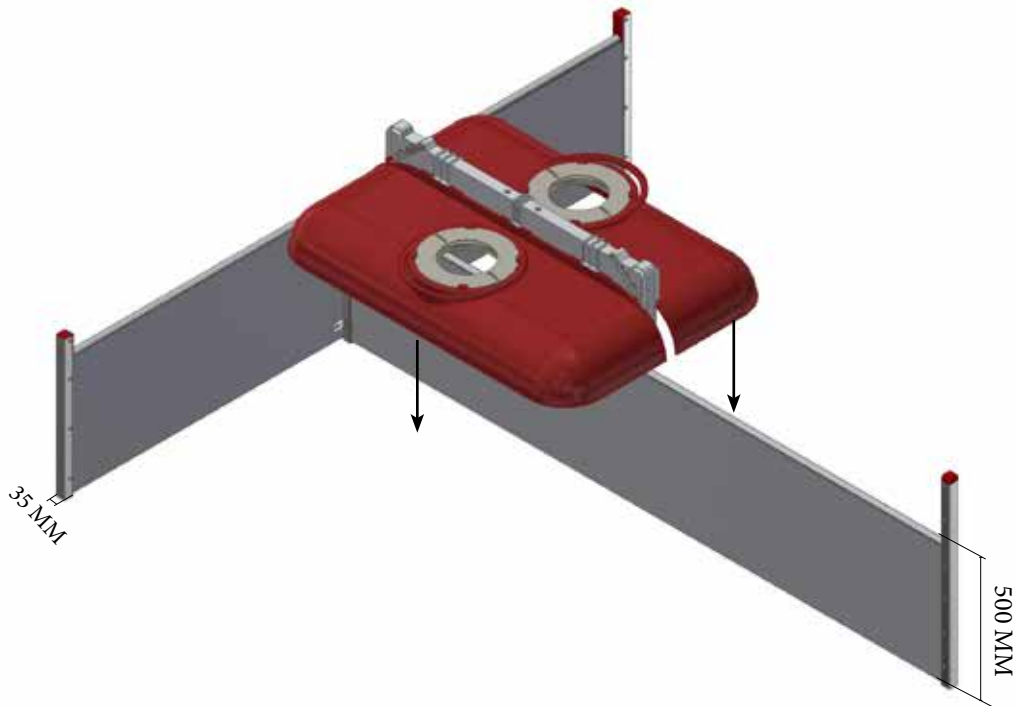
2



3

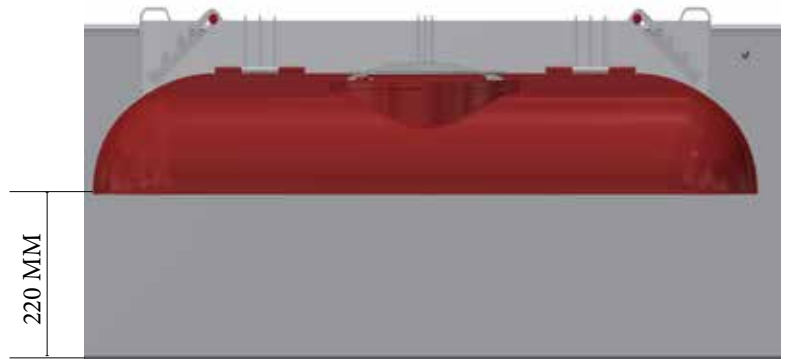
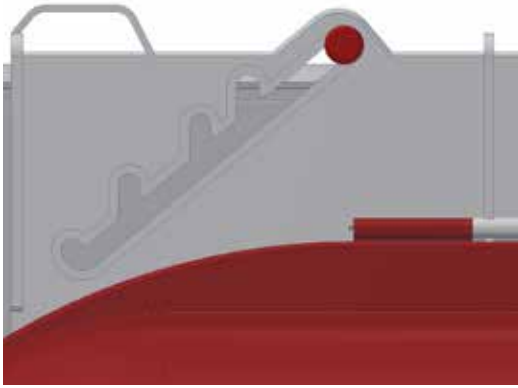


## MOUNTING ON 35 MM BOARDPROFILE

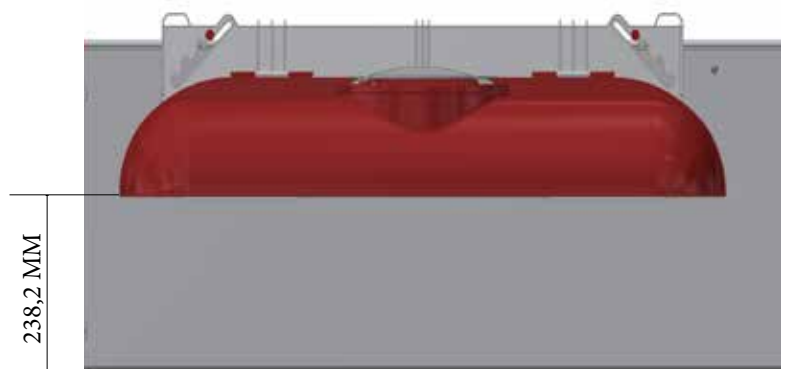
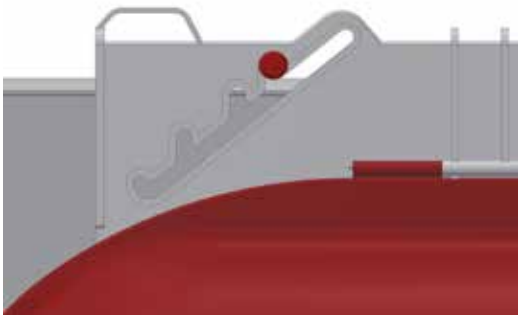


## HEIGHT ADJUSTMENT

1

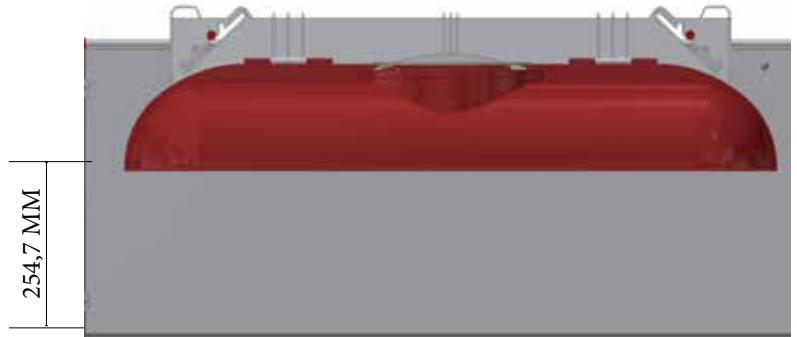


2

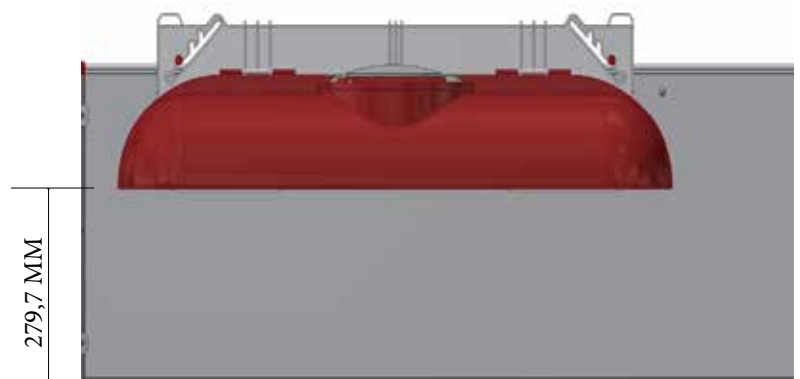
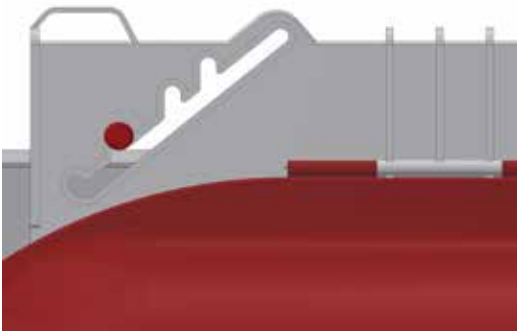


## HEIGHT ADJUSTMENT

3



4



## HEIGHT ADJUSTMENT

5

