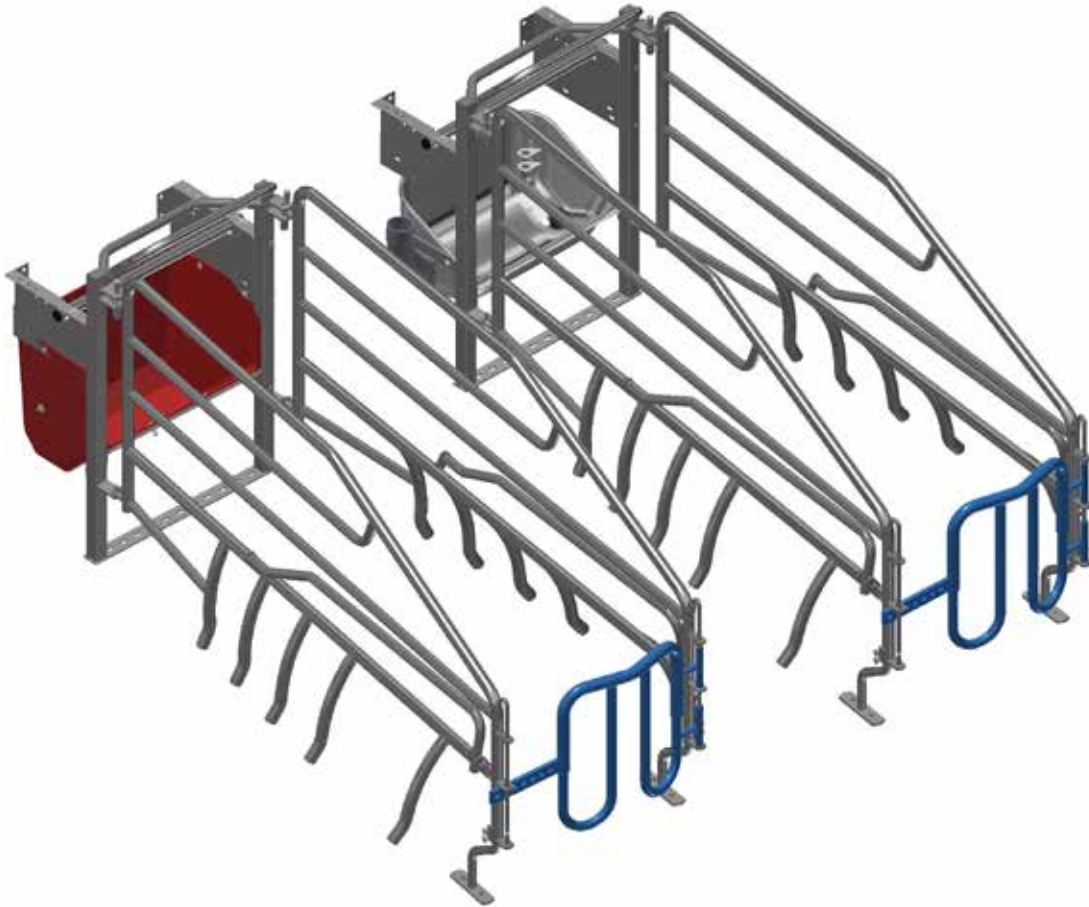


MOUNTING INSTRUCTION



FARROWING F-208



ACO FUNKI A/S
Kirkevænget 5
DK-7400 Herning

Tel. +45 9711 9600
Fax +45 9711 9677
www.acofunki.com

DANISH DESIGN | GERMAN QUALITY | GLOBAL EXPERIENCE

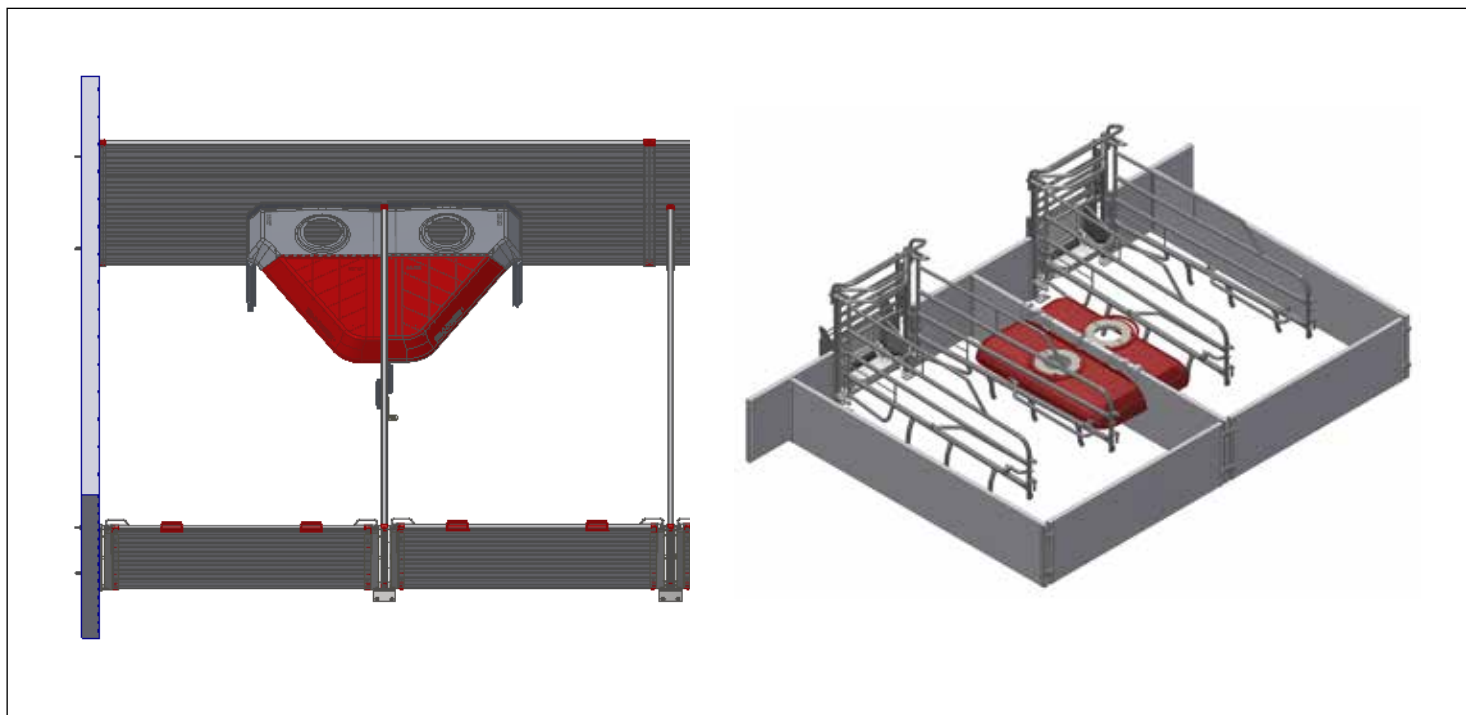
Table of Contents

Funki farrowing complet	3
Farrowing rail with plastic trough	4 - 9
Farrowing rail with stainless steel trough	10 - 14
Farrowing rail mounted in combi floor	15
Stainless steel water pipe kit for stainless water supply	16 - 18
Dryfeeding kit for stainless steel or pvc water supply	19 - 21
Pvc water pipe on boardprofile or the wall	22 - 23
Pvc water supply kit	24 - 27
Manual pvc water supply	28 - 31
Integrated down pipe in plastic trough or stainless steel	32 - 35
Farrowing partition with tilting bow	36
Farrowing partition for export	37
Farrowing partition in combi floor	38
Bolt-on fitting in cast iron slats	39
Rear gate on farrowing partition	40

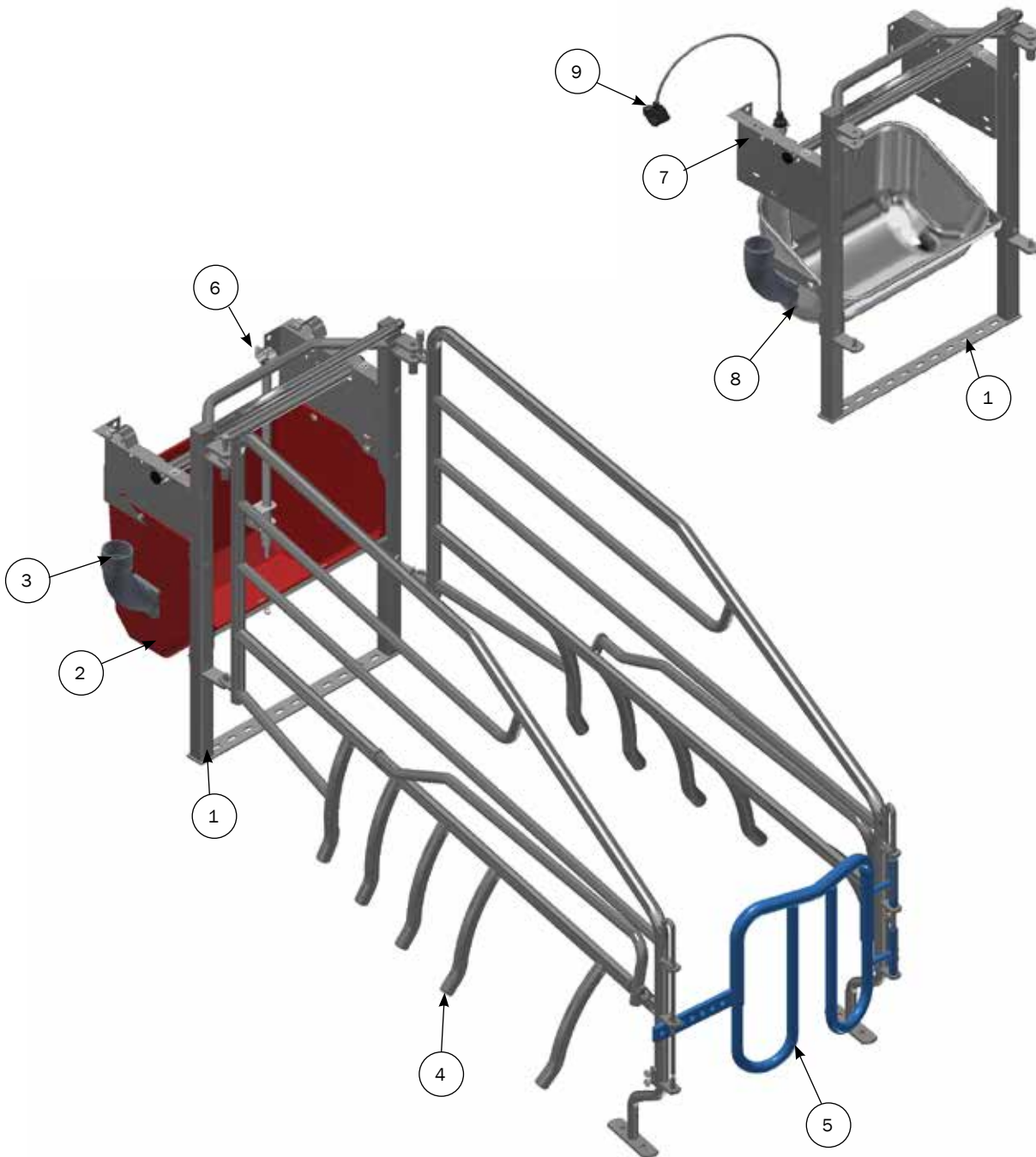
For mounting of piglet nest, look at : M-6206 og M-6236

For mounting of water for weaners, look at : M-6208

For mounting of farrowing pen box, look at : M-6204, M-6233, M-6205 farrowing pen box and M-6239 farrowing F-208

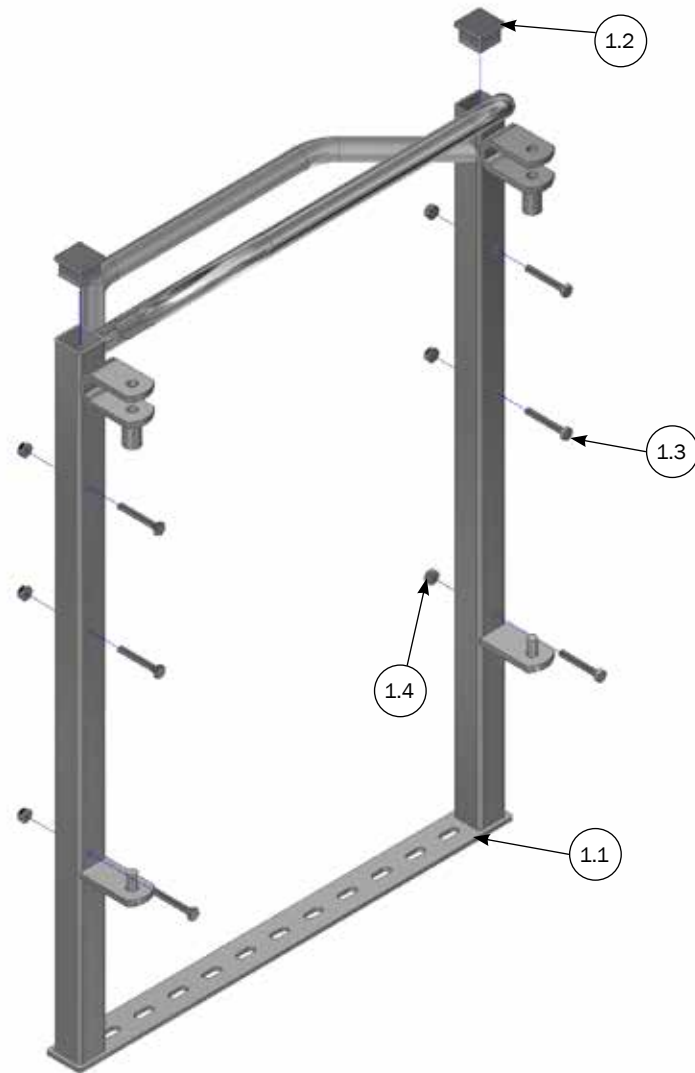


Parts list for Funki farrowing



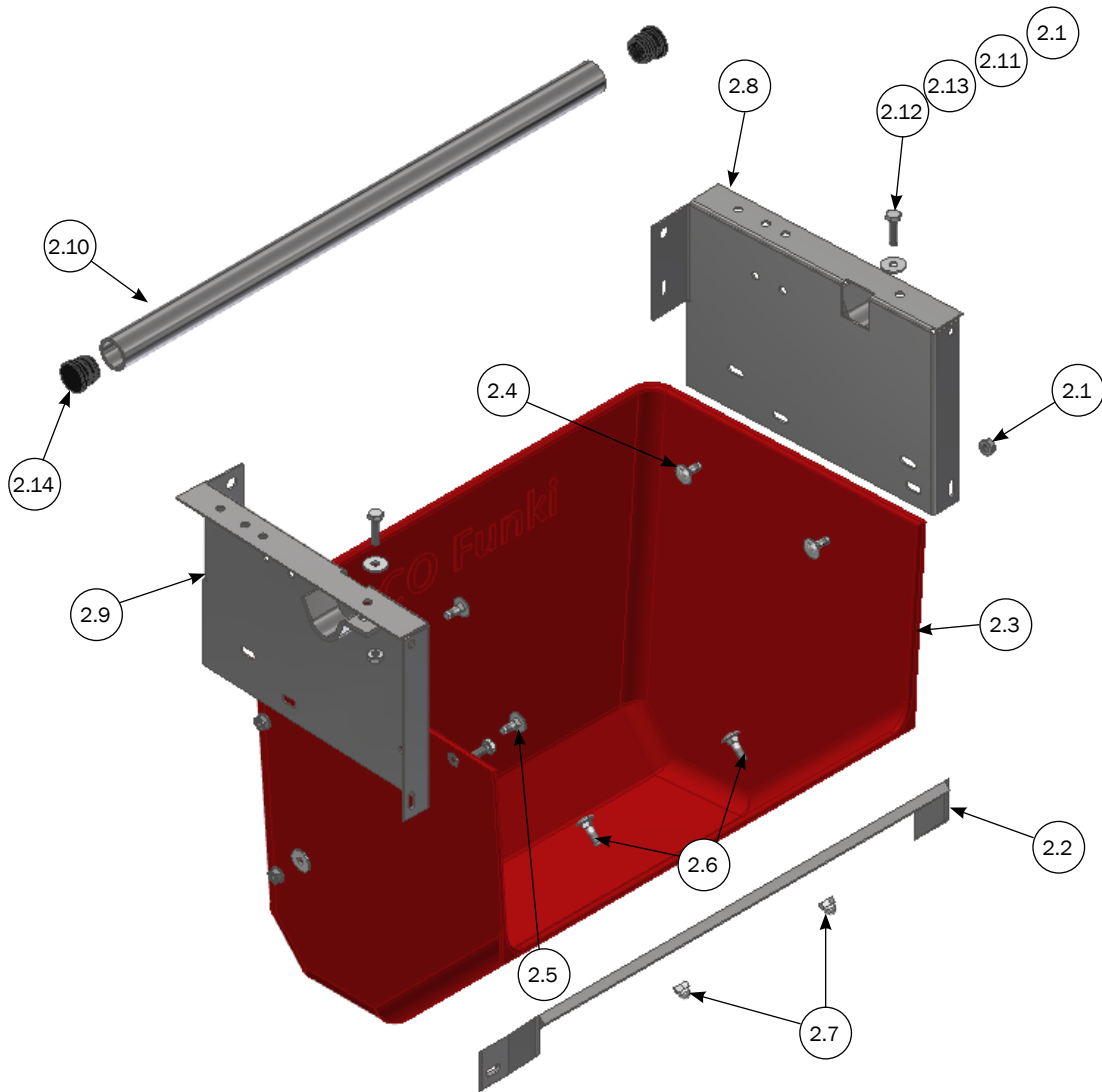
PARTS LIST			
No	PCS.	ITEM No.	DESCRIPTION
1	1	2100562	FARROWINGRAIL F208 WITHOUT FRONTPART
2	1	2100630	TROUGH KIT FOR PLASTIC TROUGH
3	1	2900535	INTEGRATED DOWNPIPE FOR PLASTIC TROUGH
4	1	2100563	FARROWING PARTITION F207 WITH TILT FENDER
5	1	2116509	REAR GATE MODEL SOFT 3/4', LEFT-OPENED
6	1	2100652	WATERPIPE KIT FOR SOWS WITH STAINLESS STEEL WATER SUPPLY
7	1	2100642	SET FOR STAINLESS STEEL TROUGH WITHOUT PLASTIC SCREEN
8	1	2900711	SOW TROUGH WITH HOLE AND INTEGRATED DOWN PIPE, LEFT
9	1	2100776	WATERPIPE KIT FOR SOWS WITH PVC WATER SUPPLY

Parts list for farrowing rail



PARTS LIST			
No	PCS.	ITEM No.	DESCRIPTION
1	1	2100562	FARROWING RAIL F208 WITHOUT FRONTPART
1.1	1	2120562	FARROWING RAIL F208
1.2	2	9960003	CAP 40x40x1,5-4,0MM
1.3	6	30308065	SET SCREW M8X65 A2 DIN 933
1.4	6	68552	M8 FLANGE NUT DIN 6923 A2

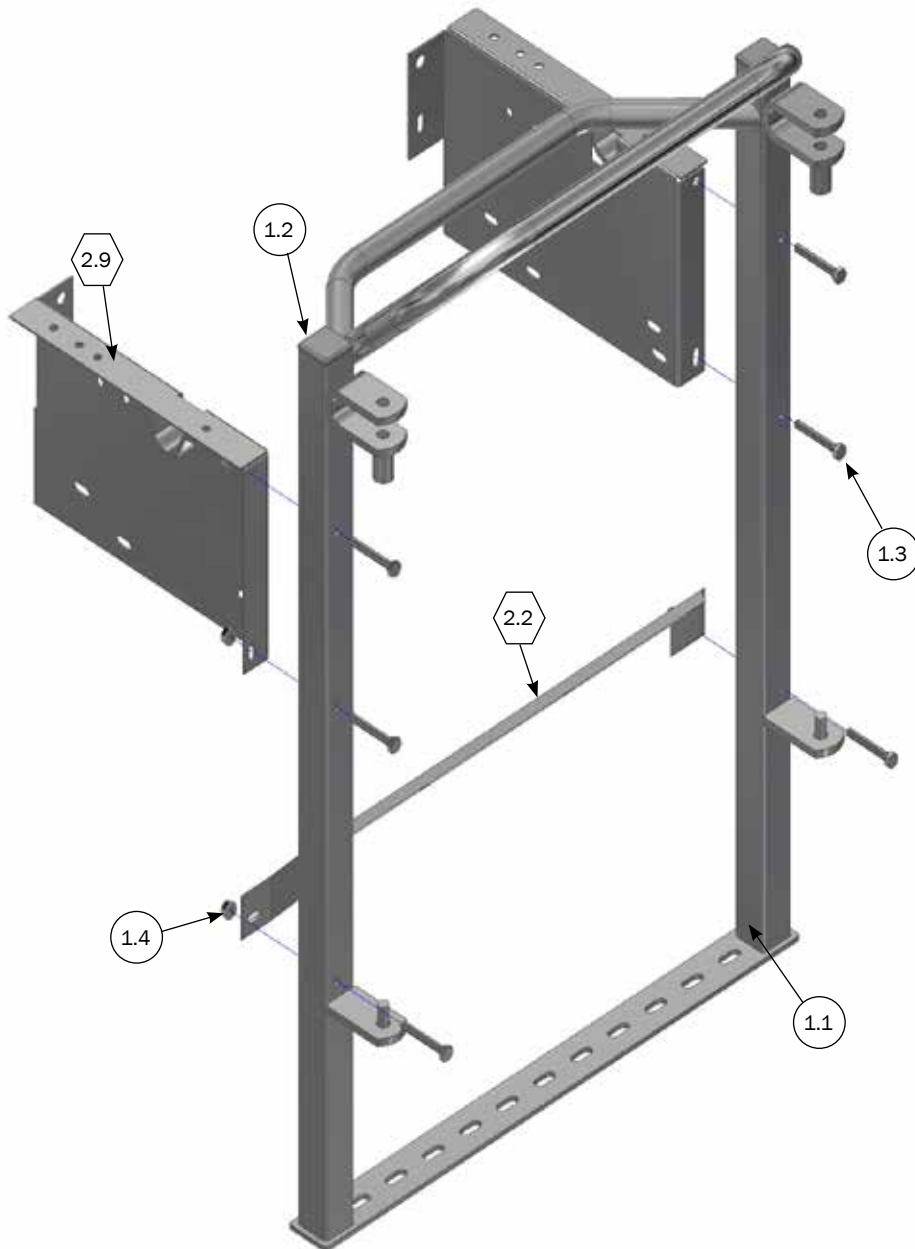
Parts list for trough kit for plastic trough



PARTS LIST			
No	PCS.	ITEM No.	DESCRIPTION
2	1	2100630	TROUGH KIT FOR PLASTIC TROUGH
2.1	7	68552	M8 FLANGE NUT DIN 6923 A2
2.2	1	2920566	FLAT STEEL FOR ANGEL IRON
2.3	1	2960495	SOW FEEDER BIOFORM MULTI
2.4	4	36308020	MUSHROOMHEADED BOLT M8X20 A2 DIN 603
2.5	1	30308025	SET SCREW M8X25 A2 DIN 933
2.6	2	36308025	MUSHROOMHEADED BOLT M8X25 A2 DN 603
2.7	2	33208001	CAP NUT M8 A2 DIN 1587
2.8	1	2720142	RIGHT BRACKET F208
2.9	1	2720143	LEFT BRACKET F208
2.10	1	8140005	PEN FRONT BARS FOR FARROWING RAIL
2.11	2	16375	PIPE RETAINER 1' WITHOUT BOLT
2.12	2	30308030	SET SCREW M8X30 A2 DIN 933
2.13	3	35600058	NUT WASHER Ø8X8,4/24/2 A2 DIN 9021
2.14	2	9960006	ROUND CAP BLACK (1' PIPE)

Mounting of bracket on farrowing rail

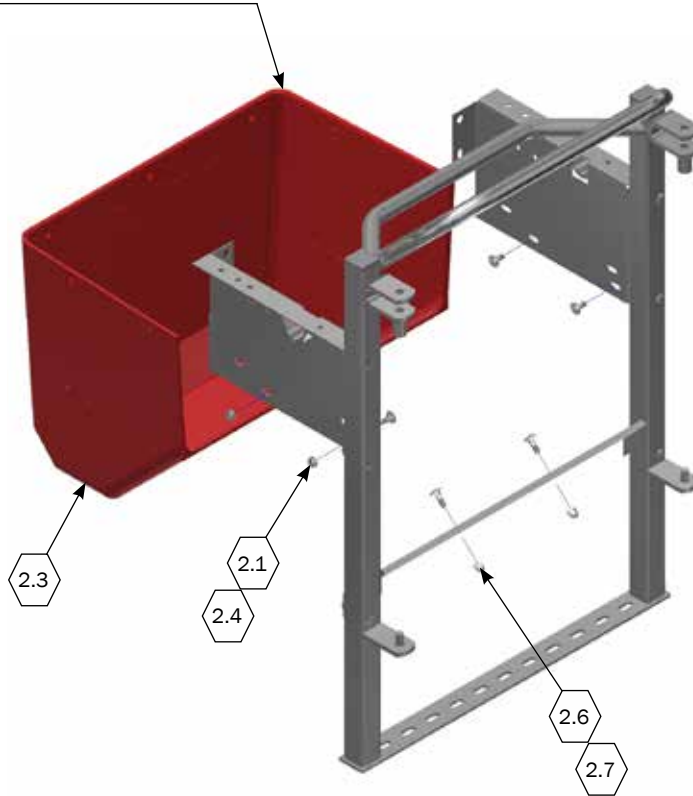
- For parts list look at page 4
- ⬡ For parts list look at page 5



Mounting of plastic trough on farrowing rail

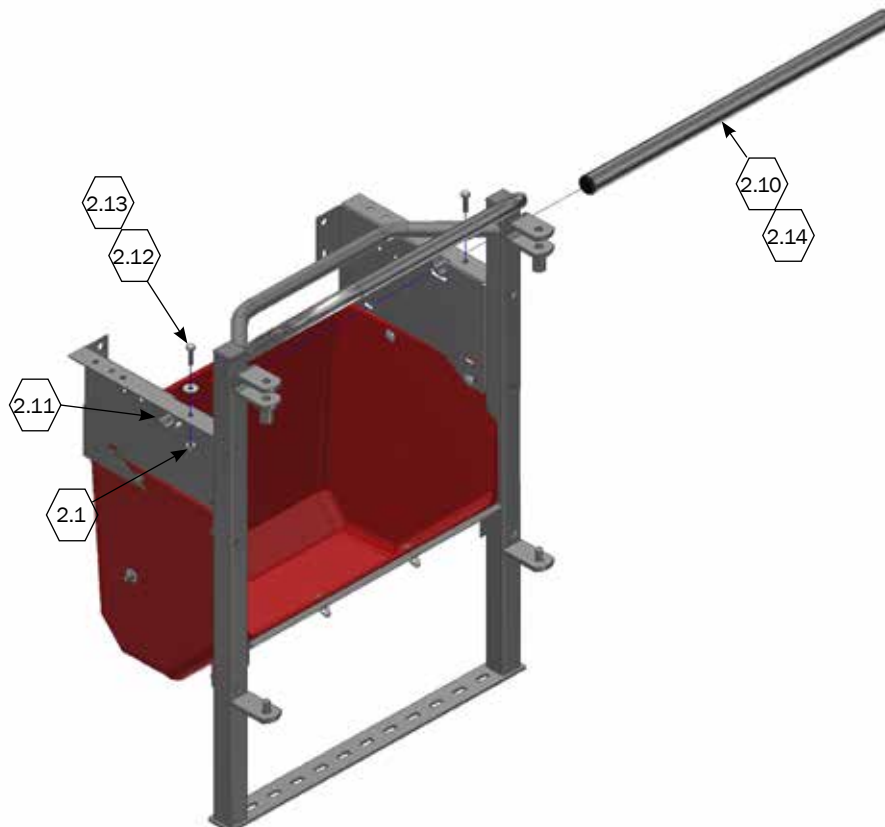
⬡ For parts list look at page 5

With integrated downpipe, look at page : 32

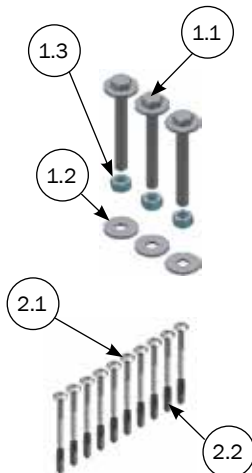
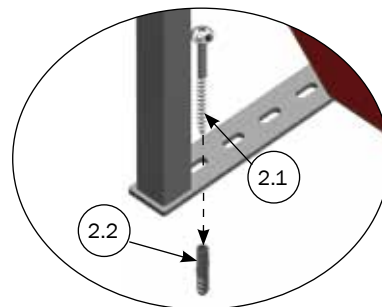
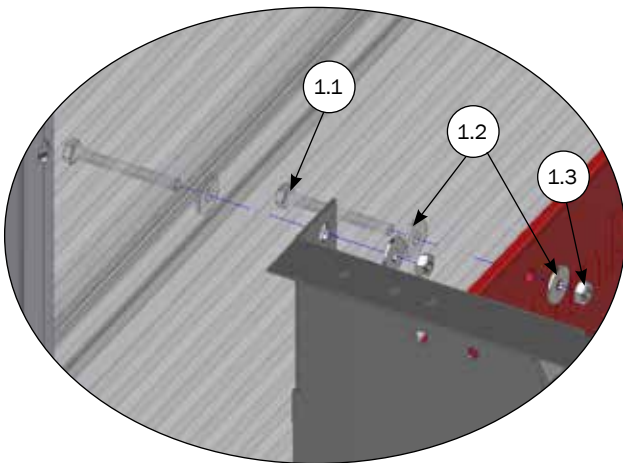
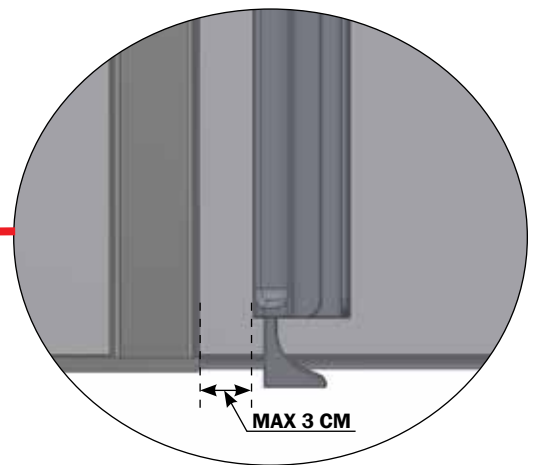
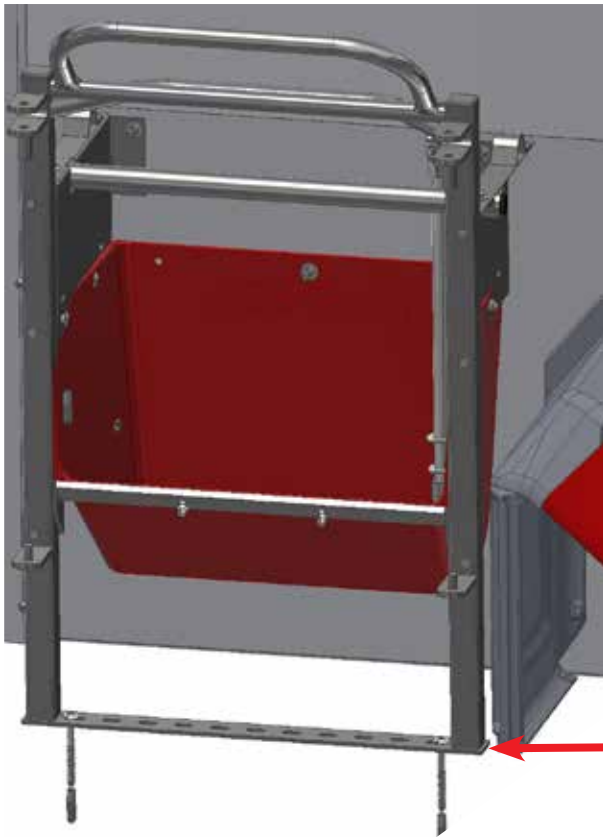


Mounting of pen front bars on farrowing rail

⬡ For parts list look at page 5

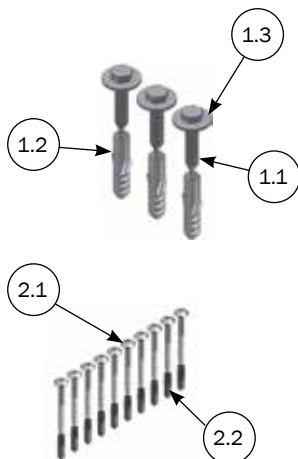
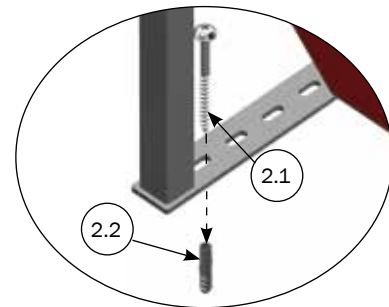
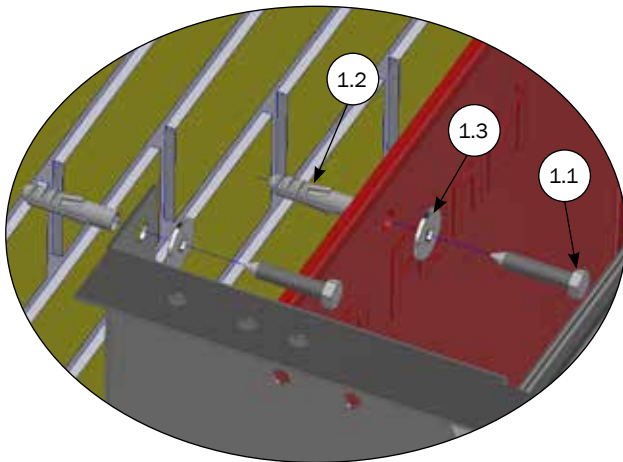
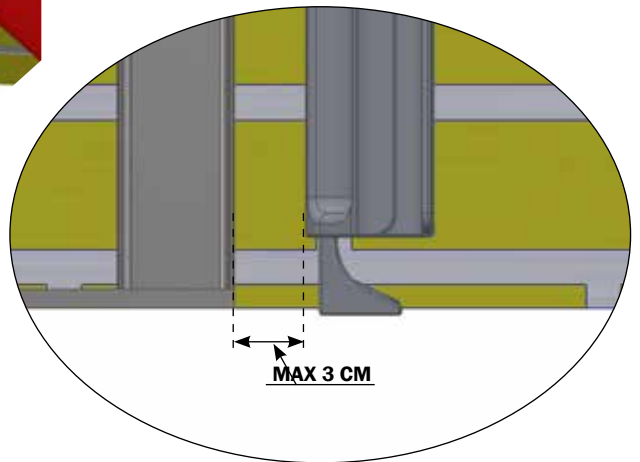
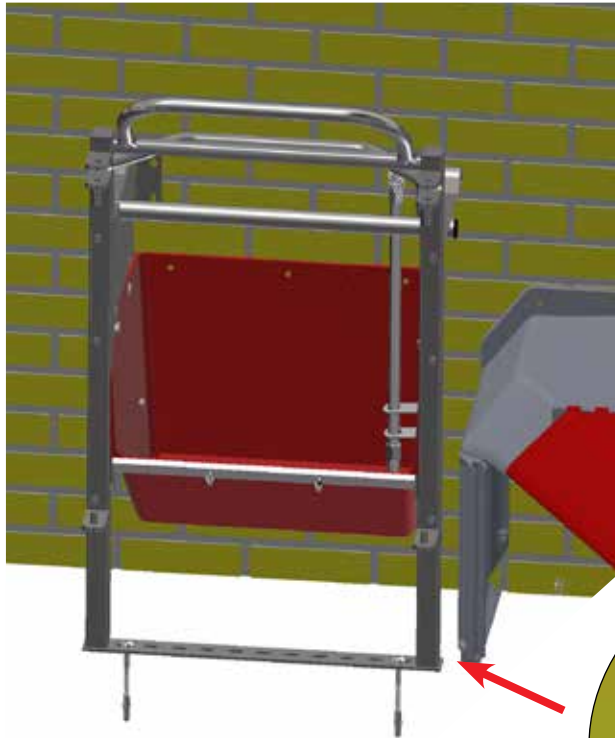


Mounting of farrowing rail with plastic trough in board profile and concrete floor



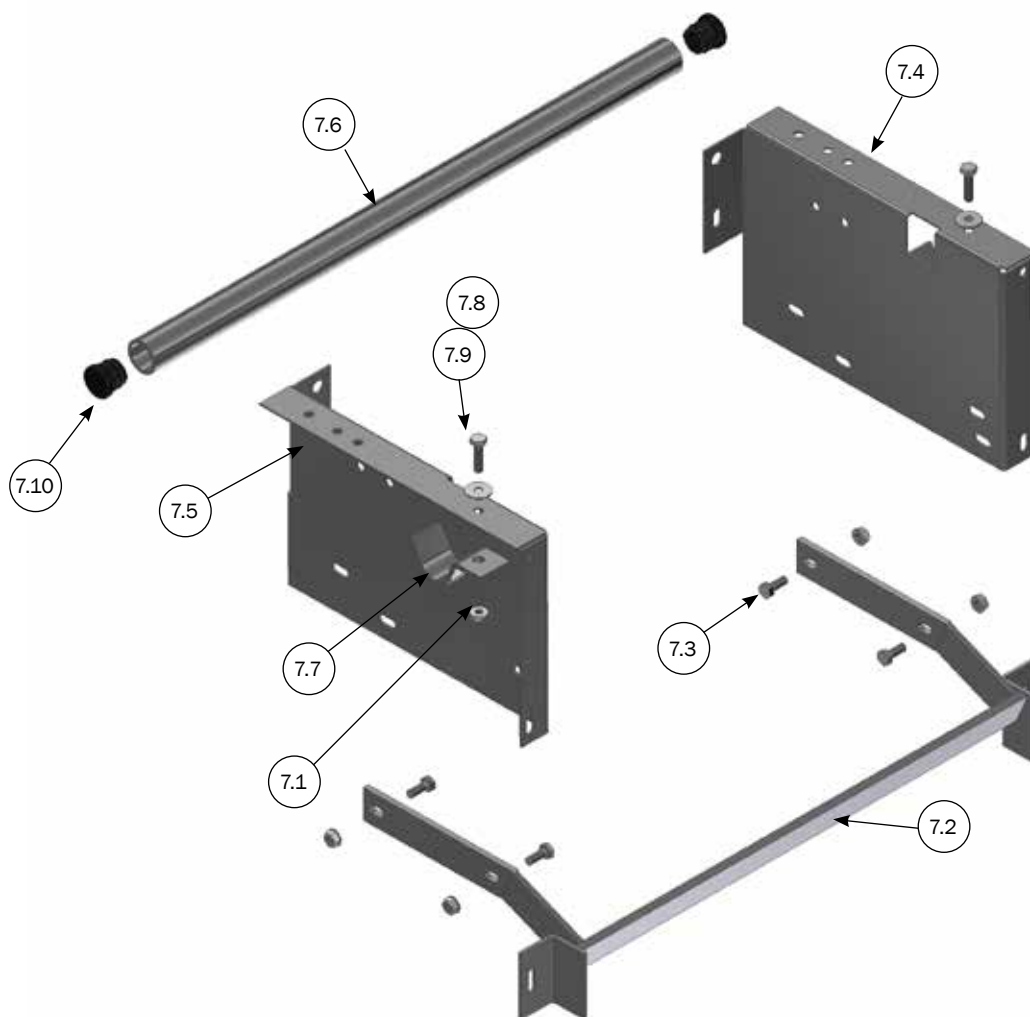
PARTS LIST			
No	PCS.	ITEM No.	DESCRIPTION
1	1	2900801	BOLTSET FOR 2 PCS TROUGH AGAINST BOARD PROFILE
1.1	3	30308070	SET SCREW M8X70 A2 DIN 933
1.2	6	35600058	NUT WASHER Ø8X8,4/24/2 A2 DIN 9021
1.3	3	33508013	NUT M8 A2 DIN 934
	2	4800010	10 PCS. SS BUTTON HEAD SCREWS 10X70 + WALL PLUG
2.1	(10) 2	67444	10 X 70 BUTTON HEAD TORX 50 STAINLESS STEEL
2.2	(10) 2	39900001	WALL PLUG 12X60 MM

Mounting of farrowing rail with plastic trough in the wall and concrete floor



PARTS LIST			
No	PCS.	ITEM No.	DESCRIPTION
1	1	2900800	BOLTSET FOR TROUGH AGAINST WALL
1.1	3	34908041	COUCH SCREW M8X40 A2 DIN 571
1.2	6	39900120	WALL PLUG 10X50MM
1.3	3	35600058	NUT WASHER Ø8X8,4/24/2 A2 DIN 9021
2	1	4800010	10 PCS. SS BUTTON HEAD SCREWS 10X70 + WALL PLUG
2.1	(10) 2	67444	10 X 70 BUTTON HEAD TORX 50 STAINLESS STEEL
2.2	(10) 2	39900001	WALL PLUG 12X60 MM

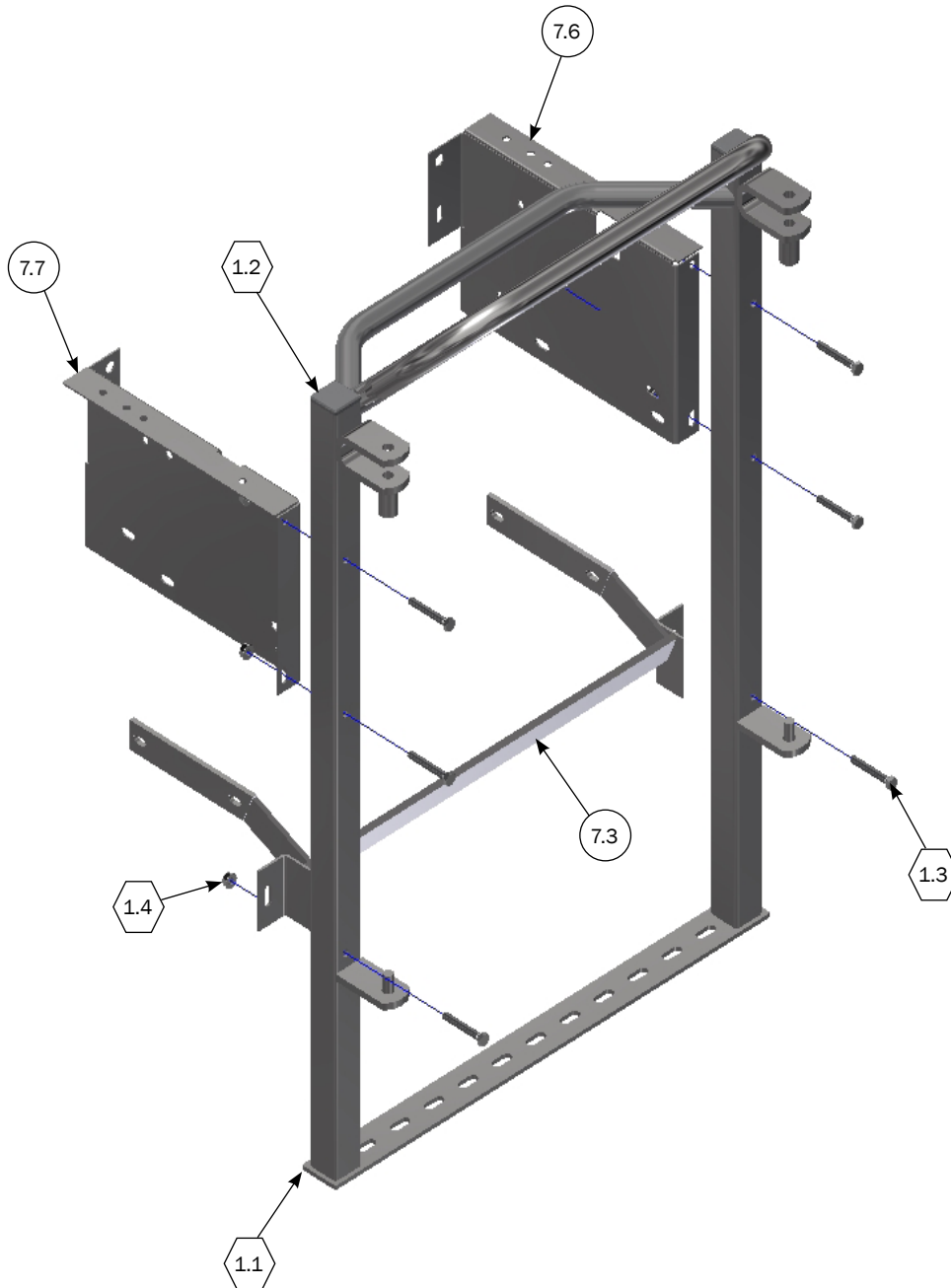
Parts list on trough kit for stainless steel trough



PARTS LIST			
No	PCS.	ITEM No.	DESCRIPTION
7	1	2100642	TROUGH KIT FOR STAINLESS STEEL TROUGH
7.1	10	68552	M8 FLANGE NUT DIN 6923 A2
7.2	1	2120642	ANGLE IRON SUPPORT FOR SS TROUGH
7.3	4	30308020	SET SCREW M8X20 A2 DIN 933
7.4	4	2720142	RIGHT BRACKET F208
7.5	1	2720143	LEFT BRACKET F208
7.6	1	8140005	PEN FRONT BARS FOR FARROWING RAIL
7.7	1	16375	PIPE RETAINER 1' WITHOUT BOLT
7.8	2	30308030	SET SCREW M8X30 A2 DIN 933
7.9	2	35600058	NUT WASHER Ø8X8,4/24/2 A2 DIN 9021
7.10	2	9960006	ROUND CAP BLACK (1' PIPE)

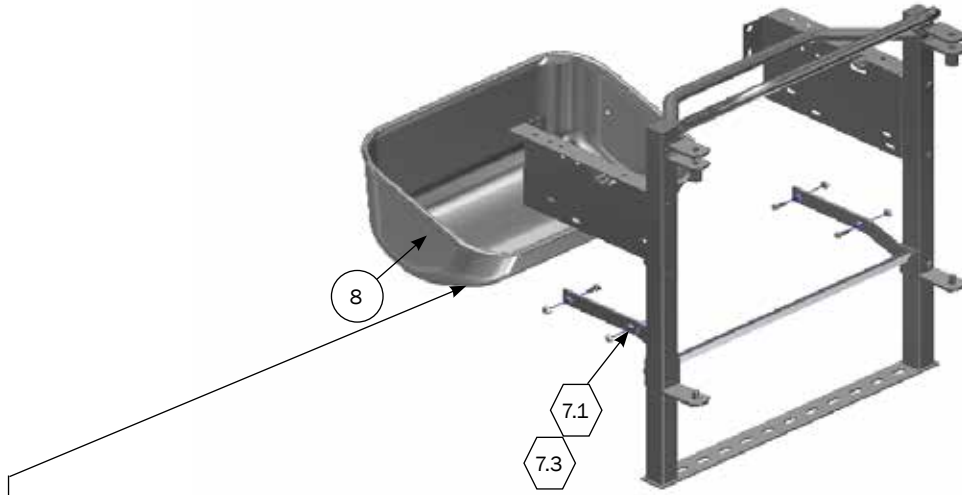
Mounting of bracket on farrowing rail

- ⬡ For parts list look at page 4
- For parts list look at page 10



Mounting of stainless steel trough on farrowing rail

For parts list look at page 10

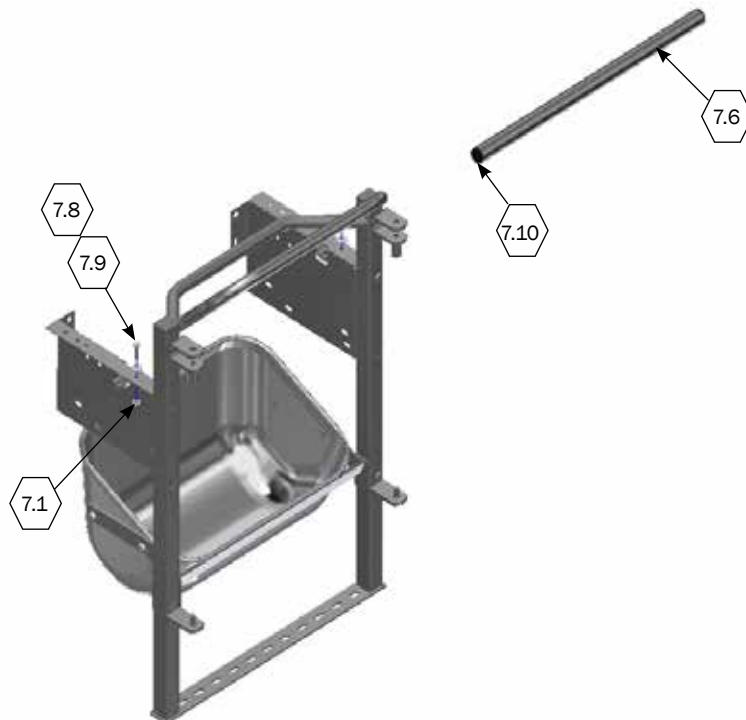


With integrated downpipe look at page : 34

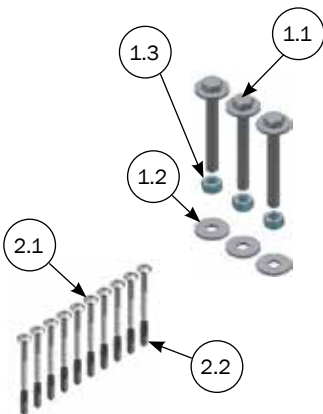
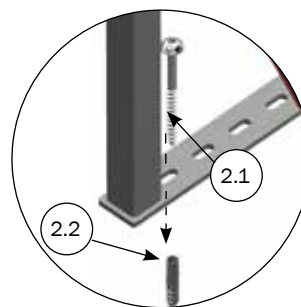
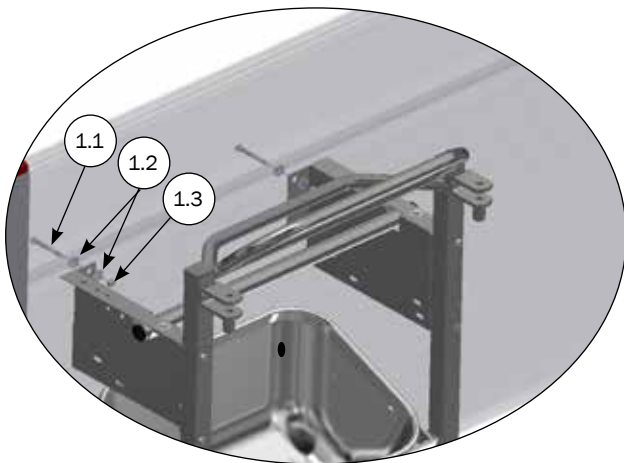
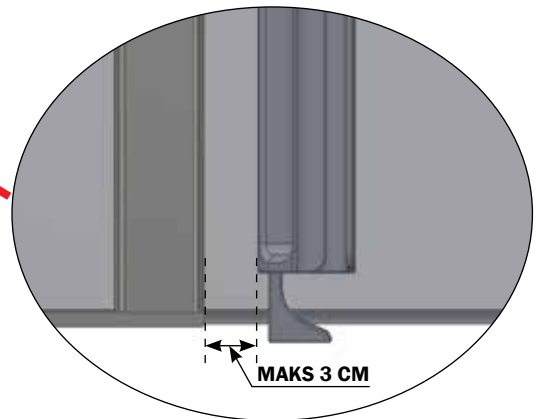
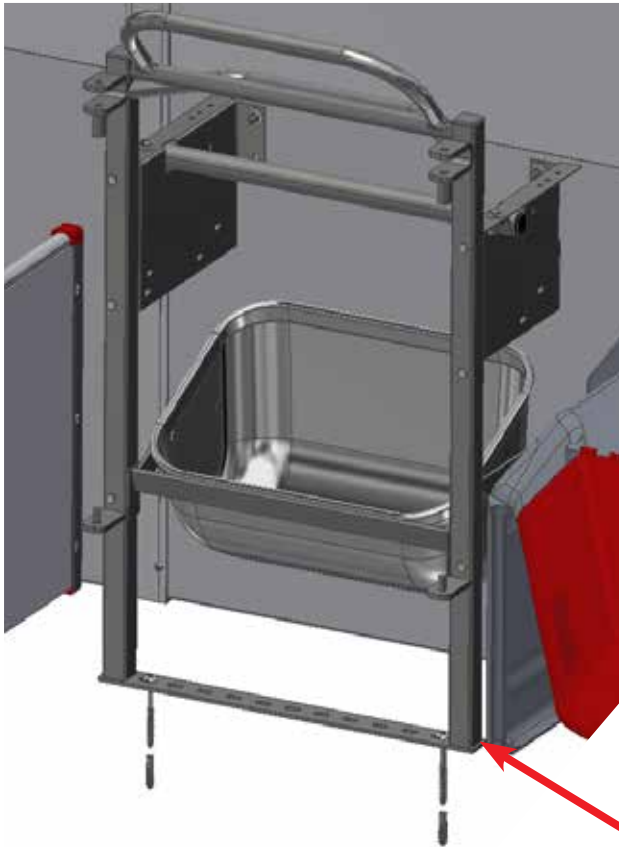
PARTS LIST			
No	PCS.	ITEM No.	DESCRIPTION
		2900711	SOW TROUGH WITH HOLE AND INTEGRATED DOWN PIPE, LEFT
		2900712	SOW TROUGH WITH HOLE AND INTEGRATED DOWN PIPE, RIGHT
8	1	2950666	SOW TROUGH DEEP DRAWN STAINLESS STEEL V2

Mounting of front pen bars on farrowing rail

For parts list look at page 10

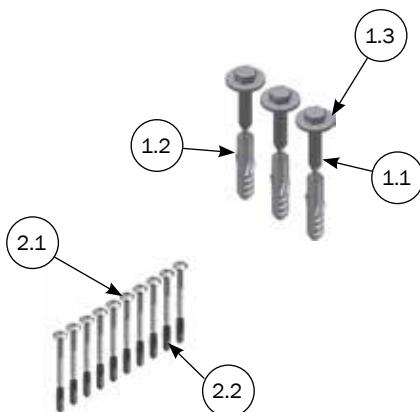
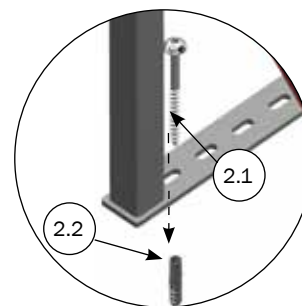
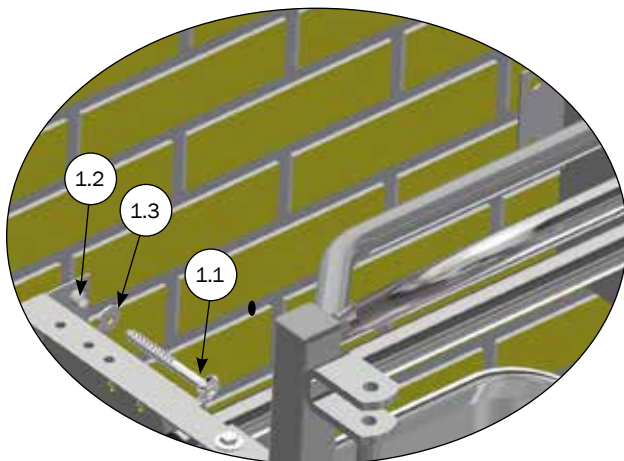
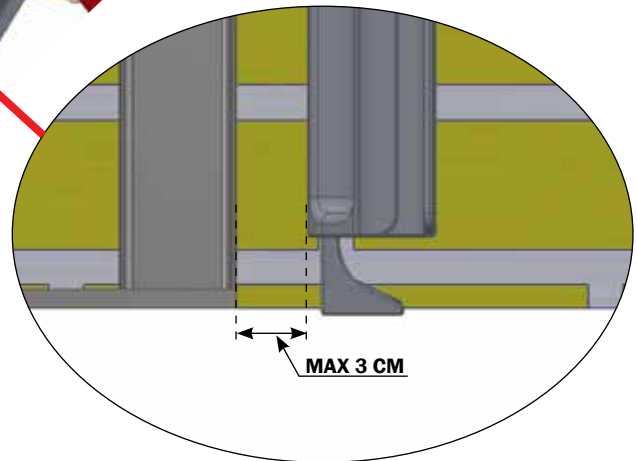
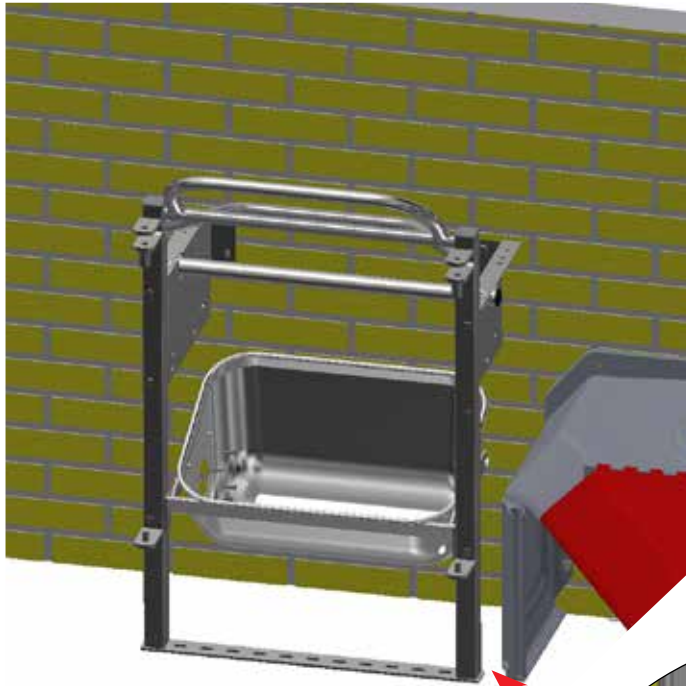


Mounting of farrowing rail with stainless steel trough in board profile and concrete floor



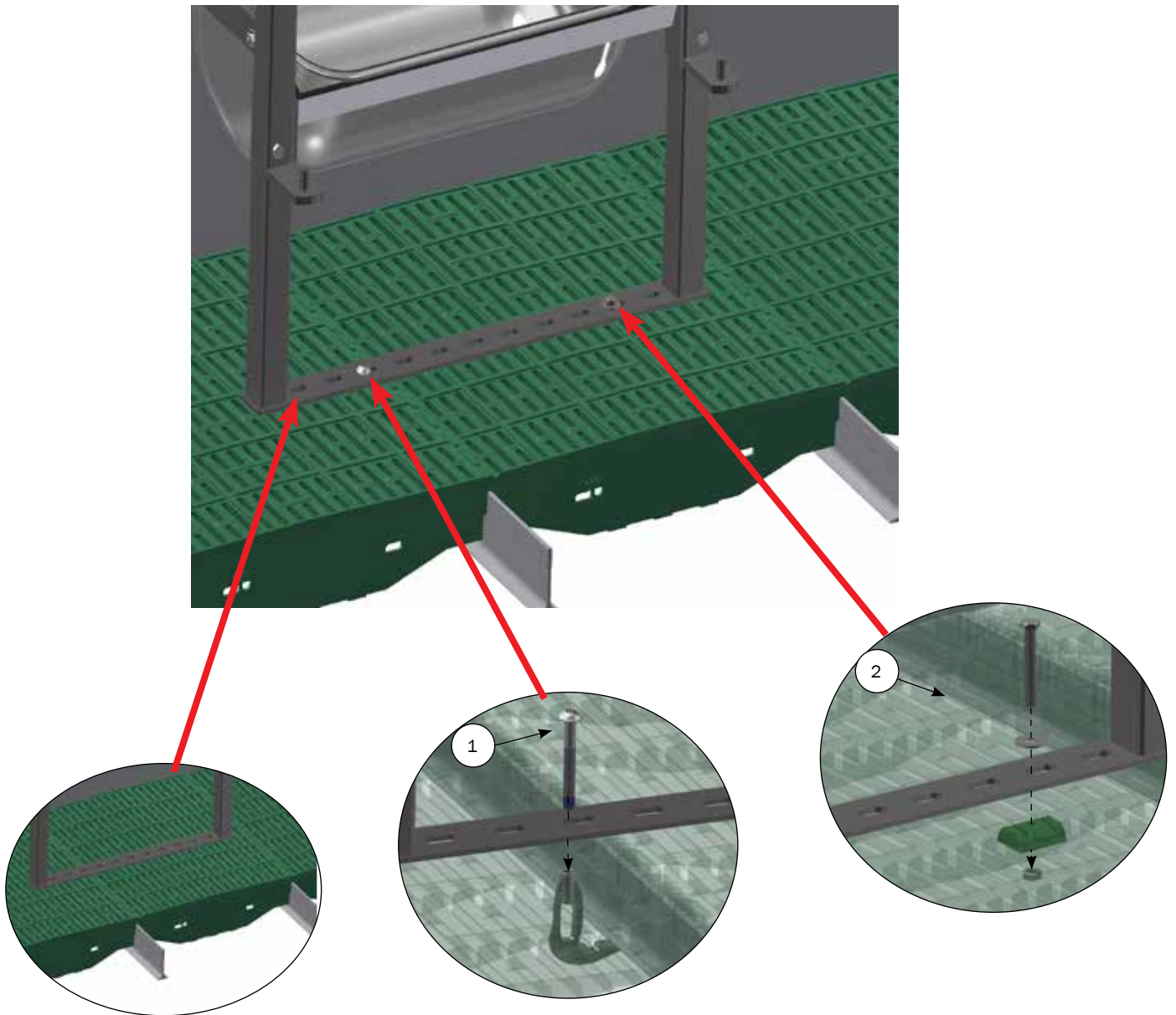
PARTS LIST			
No	PCS.	ITEM No.	DESCRIPTION
1	1	2900801	BOLTSET FOR 2 PCS TROUGH AGAINST BOARDPROFILE
1.1	3	30308070	SET SCREW M8X70 A2 DIN 933
1.2	6	35600058	NUT WASHER Ø8X8,4/24/2 A2 DIN 9021
1.3	3	33508013	NUT M8 A2 DIN 934
2	1	4800010	10 PCS. SS BUTTON HEAD SCREWS 10X70 + WALL PLUG
2.1	(10) 2	67444	10 X 70 BUTTON HEAD TORX 50 STAINLESS STEEL
2.2	(10) 2	39900001	WALL PLUG 12X60 MM

Mounting of farrowing rail with stainless steel trough in the wall and concrete floor



PARTS LIST			
No	PCS.	ITEM No.	DESCRIPTION
1	1	2900800	BOLTSET FOR TROUGH AGAINST WALL
1.1	3 (2)	34908041	COUCH SCREW M8X40 A2 DIN 571
1.2	6 (4)	39900120	WALL PLUG 10X50MM
1.3	3 (2)	35600058	NUT WASHER Ø8X8,4/24/2 A2 DIN 9021
2	1	4800010	10 PCS. SS BUTTON HEAD SCREWS 10X70 + WALL PLUG
2.1	(10) 2	67444	10 X 70 BUTTON HEAD TORX 50 STAINLESS STEEL
2.2	(10) 2	39900001	WALL PLUG 12X60 MM

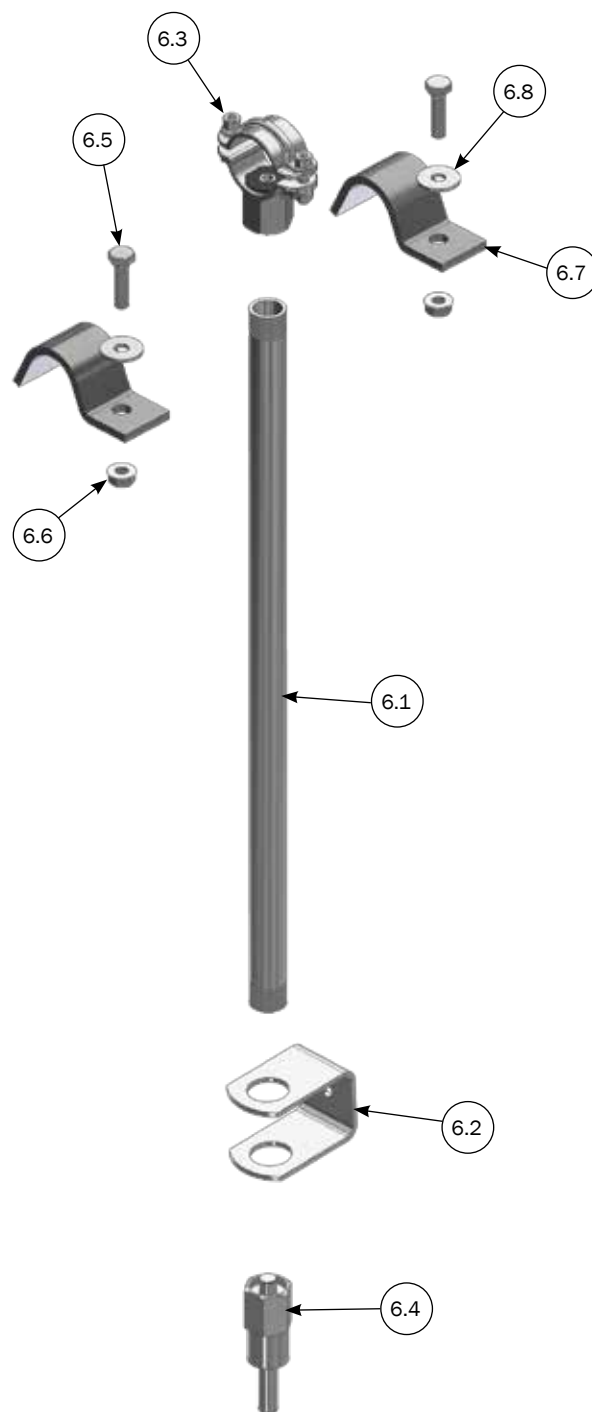
Mounting of farrowing rail in combi floor



For mounting of pos No. 3 look at page : 39

PARTS LIST		
No	ITEM No.	DESCRIPTION
1	4800025	10 PIECE ANCHOR SET M8 80-115MM
1	4800030	10 PIECE ANCHOR SET M8 100-145 MM
1	4800035	10 PIECE ANCHOR SET M8 130-160 MM
1	4800040	10 PIECE ANCHOR SET M8 100-130 MM
1	4800045	10 PIECE ANCHOR SET M8 120-150 MM
1	4800050	10 PIECE ANCHOR SET M8 150-180 MM
1	29100067	THREAD GLUE STRONG, ACO FUNKI 16,5 ML
2	4800008	10 PCS BOLT-ON FITTINGS WITH 2 THREAD FOR CAST IRON SLATS
2	96967	10 PCS BOLT-ON FITTINGS SMALLFOR CAST IRON SLATS
2	1900241	10 PCS BOLT-ON FITTINGS LARGEFOR CAST IRON SLATS
2	17095	SLAT ANCHOR 8MM GREEN, 10 PIECES
2	17129	SLAT ANCHOR 10 MM GREEN 10 PCS./PACK

Parts list on waterpipe kit for stainless steel water supply

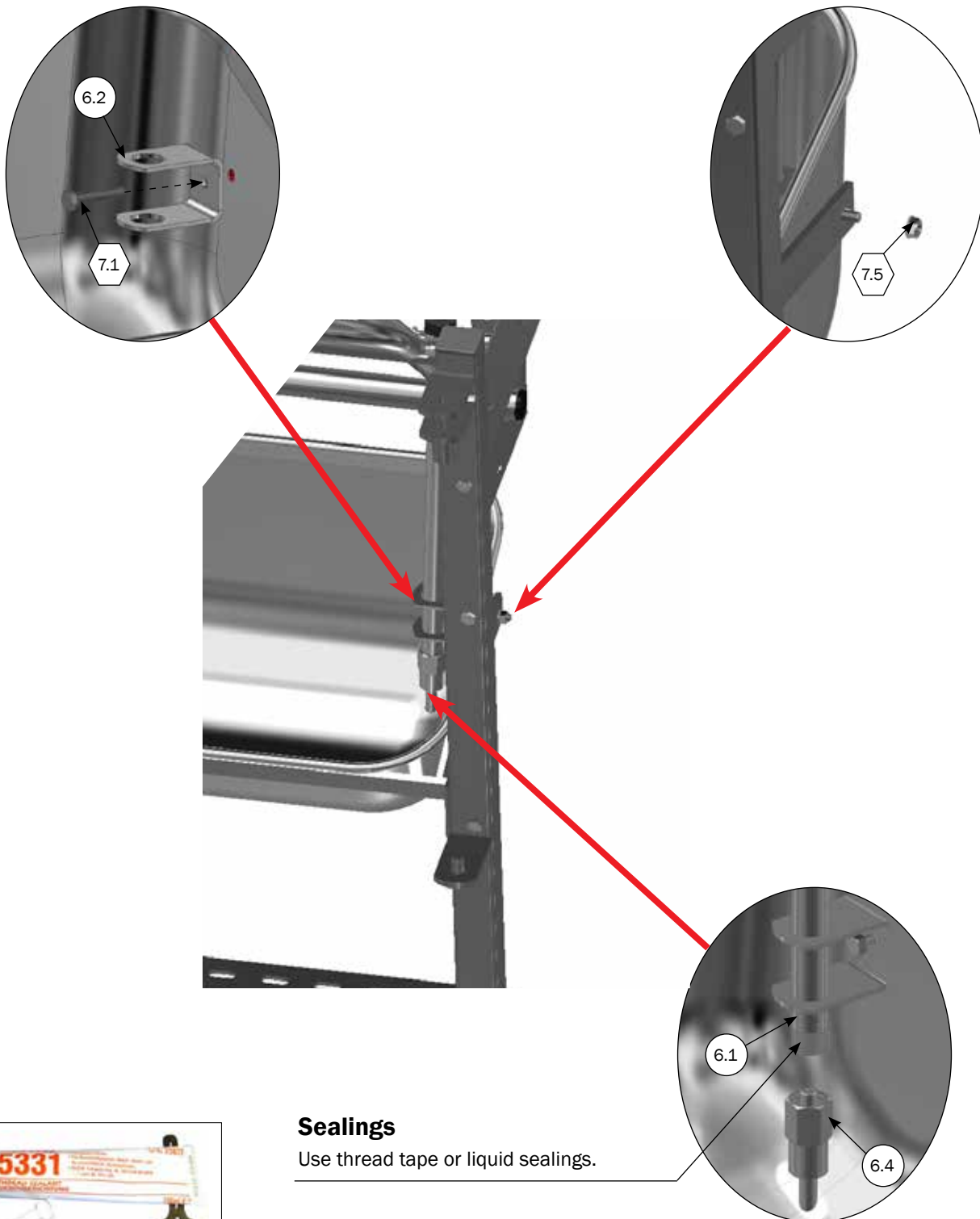


PARTS LIST			
No	PCS.	ITEM No.	DESCRIPTION
1		2100652	WATER PIPE KIT FOR SOWS WITH STAINLESS STEEL WATER SUPPLY
6.1	1	06902120	NIPPLE PIPE 1/2' STAINLESS STEEL 456 MM W/OUTSIDE THREAD
6.2	1	20005	WATER PIPE BRACKET 1/2 FOR SOWTROUGH
6.3	1	93164	DRILL CLAMP 1-1/2' STAINLESS STEEL
6.4	1	9900047	PRESS NIPPLE 1/2' SS TYPE 17, INTERNAL THREAD LARGE AMOUNT OF WATER
6.5	2	30308030	SET SCREW M8X30 A2 DIN 933
6.6	2	68552	M8 FLANGE NUT DIN 6923 A2
6.7	2	16375	PIPE RETAINER 1' WITHOUT BOLT
6.8	2	35600058	NUT WASHER Ø8X8,4/24/2 A2 DIN 9021

Mounting of bracket, nipple pipe and press nipple for stainless steel water supply

⬡ For parts list look at page 10

○ For parts list look at page 16



Sealings

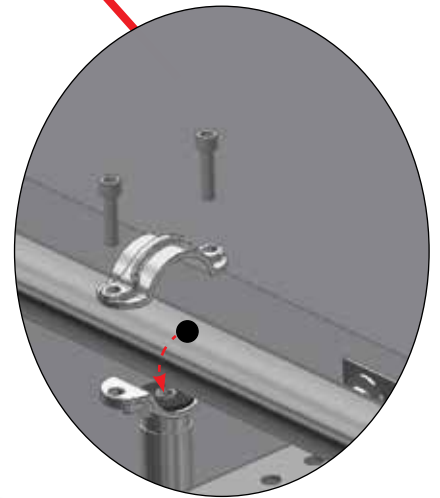
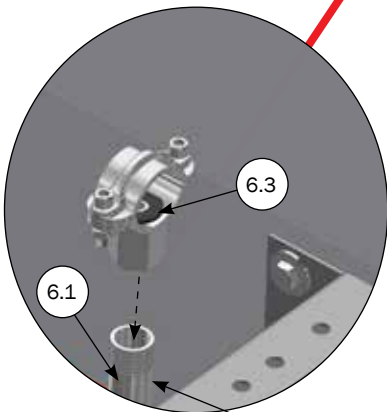
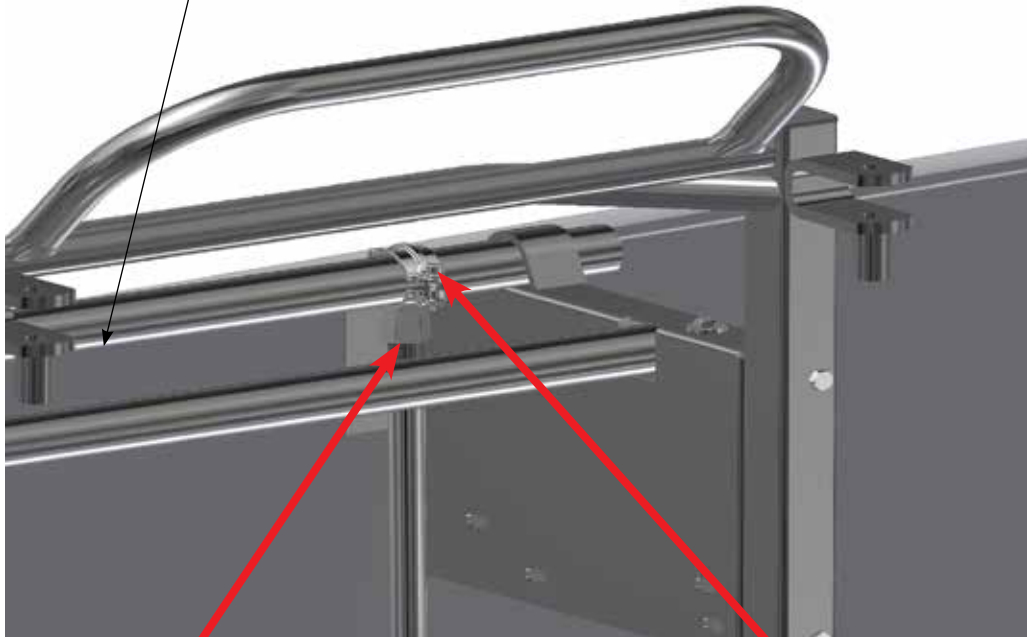
Use thread tape or liquid sealings.

SEALINGS	
ITEM No.	DESCRIPTION
29100001	THREAD TAPE 1 ROLL = 10 M
18984	LIQUID SEALING 100 ML TUBE

Mounting of drill clamp and water pipe

○ For parts list look at page 16

Water pipe "1900250" is customized on site.



Sealings

Use thread tape or liquid sealings.

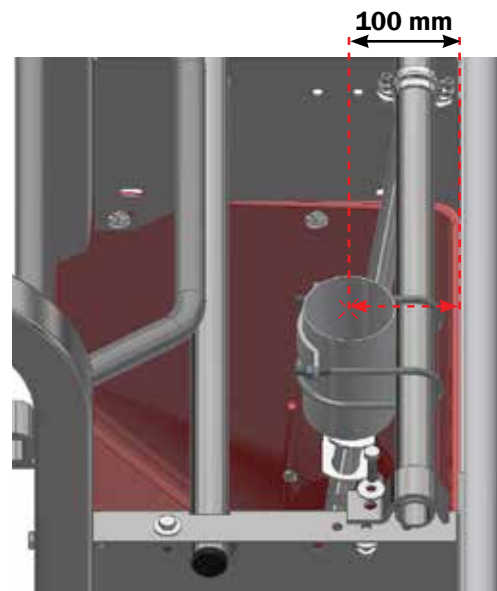
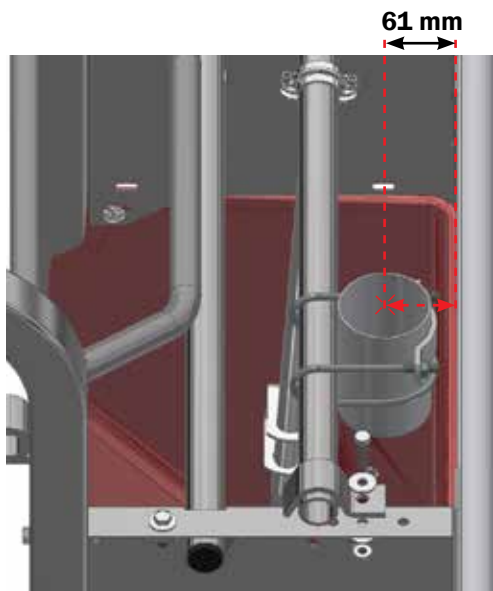
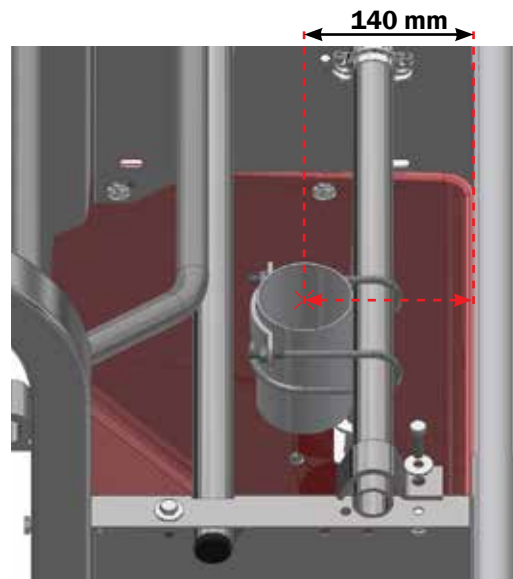
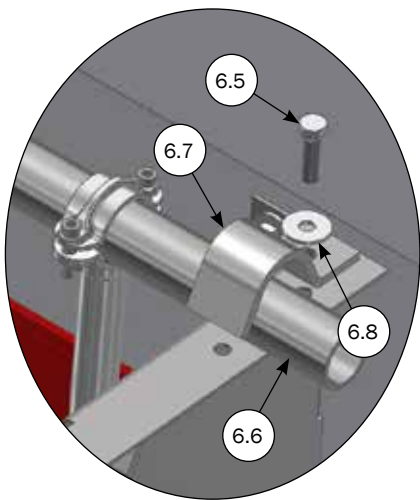
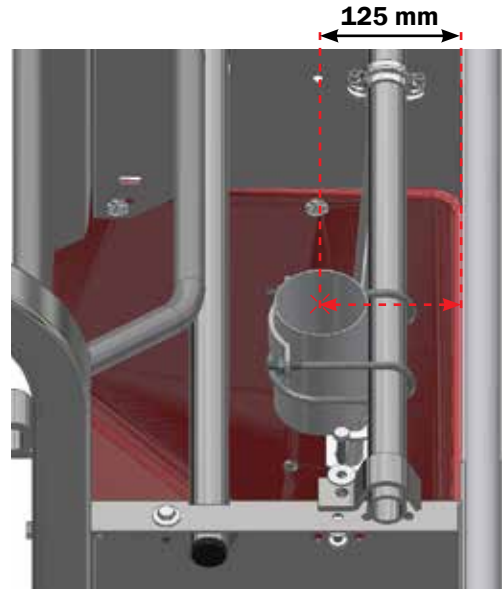
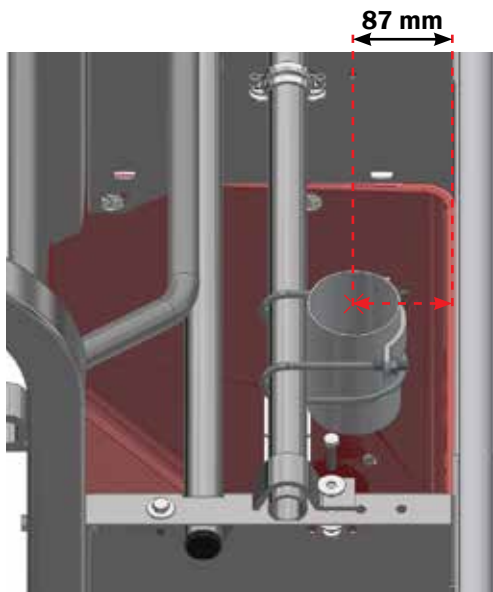


SEALINGS	
ITEM No.	DESCRIPTION
29100001	THREAD TAPE 1 ROLL = 10 M
18984	LIQUID SEALING 100 ML TUBE

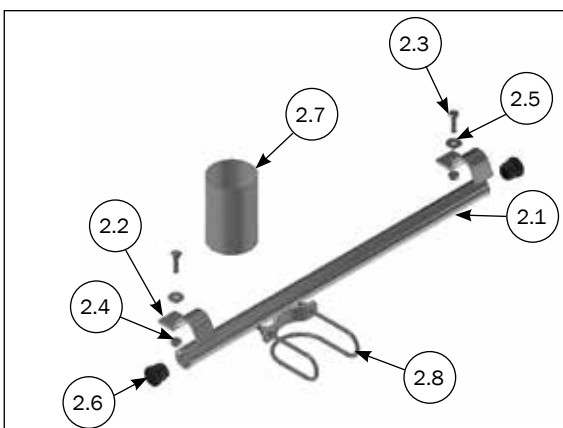
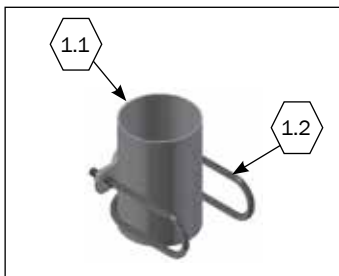
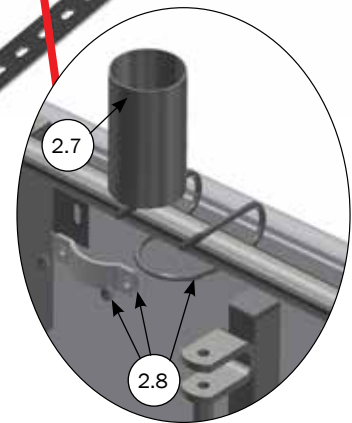
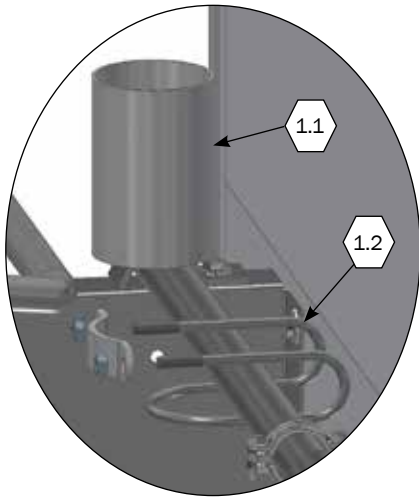
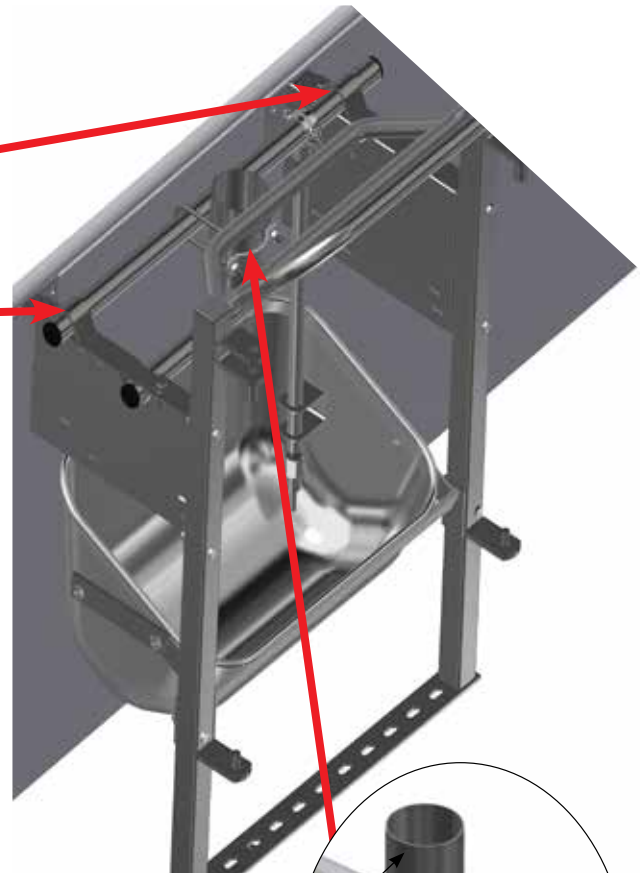
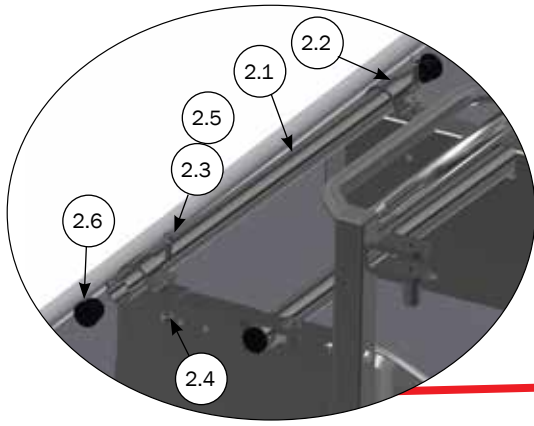
Mounting possibilities of water pipes and dry feeding set

○ For parts list look at page 16

For mounting of pipe retainer at integrated downpipe, look at page 33/35



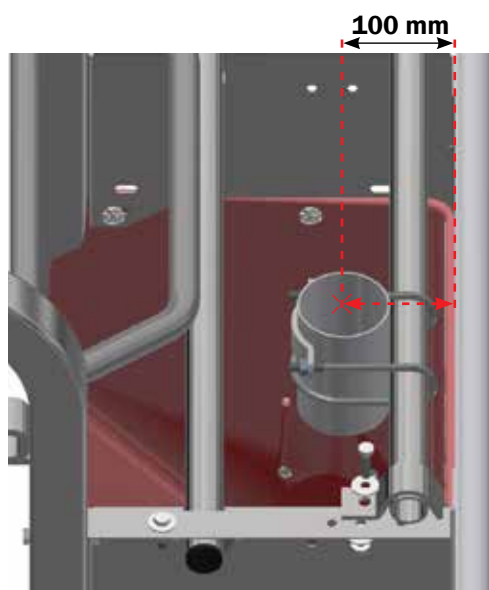
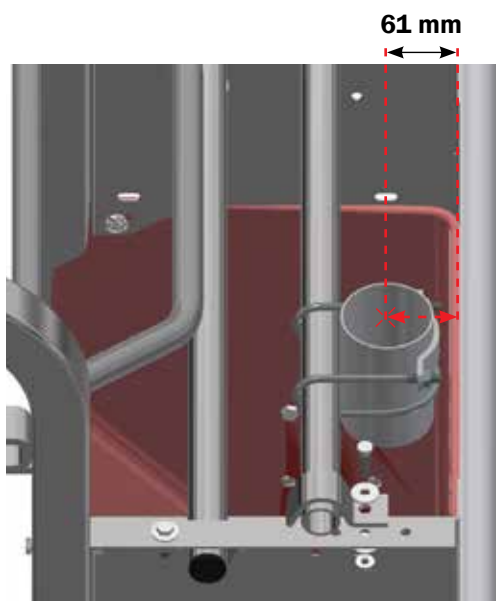
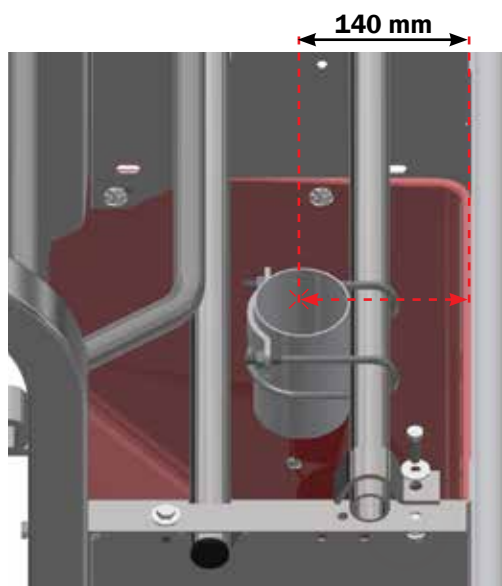
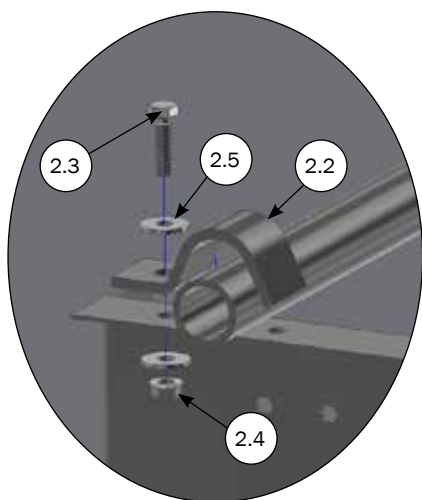
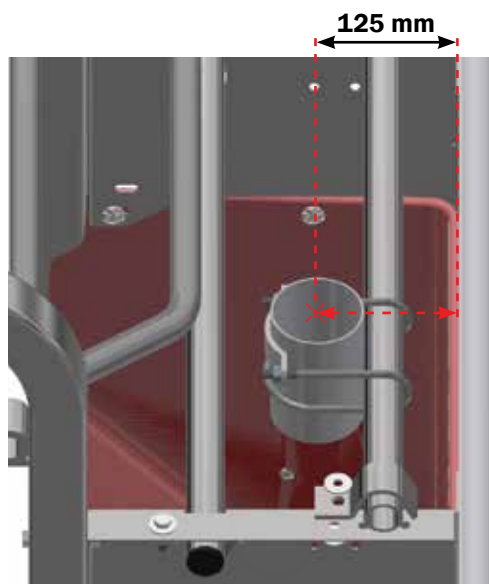
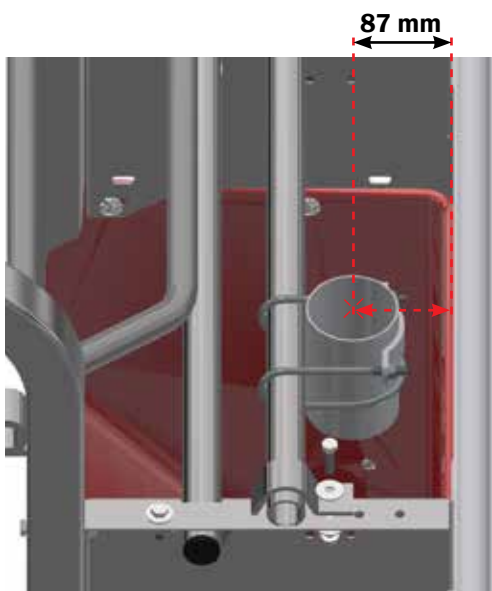
Mounting of dry feeding set for stainless steel or pvc water supply on farrowing rail



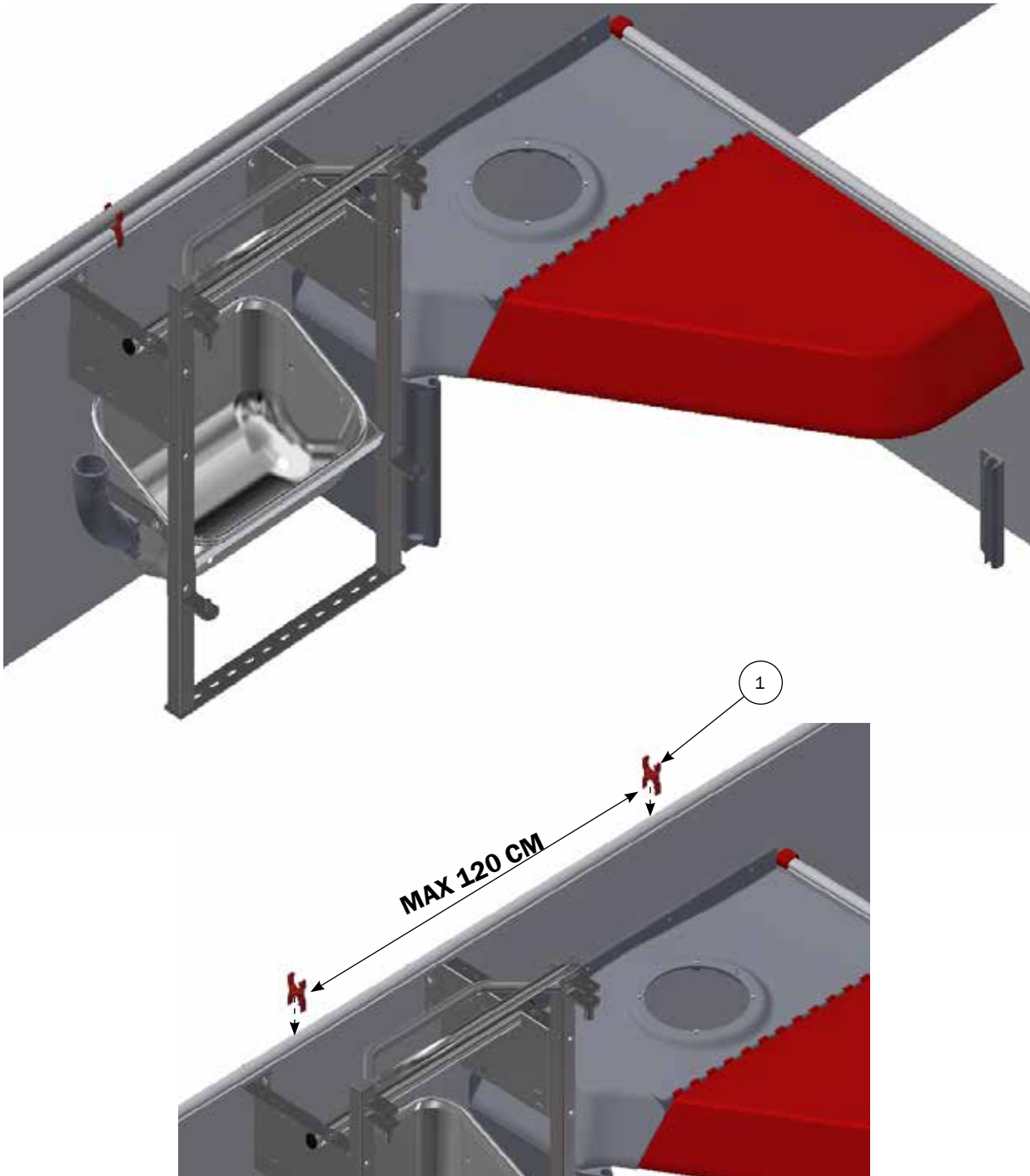
PARTS LIST

No	PCS.	ITEM No.	DESCRIPTION
1		0221-211	DRY FEEDING SET FOR STAINLESSTEEL WATER
1.1	1	0221-022	DOWNPIPE GALV Ø80 X 1,5 X 120MM
1.2	1	0221-196	CLAMP 1'X80MM COMPL
2		0221-210	DRY FEEDING SET FOR PVC WATER
2.1	1	8140005	PEN FRONT BARS FOR FARROWING RAIL
2.2	2	16375	PIPE RETAINER 1' WITHOUT BOLT
2.3	2	30308030	SET SCREW M8X30 A2 DIN 933
2.4	2	68525	NUT M6 A2 DIN 934
2.5	2	35600058	NUT WASHER Ø8X8,4/24/2 A2 DIN 9021
2.6	2	9960006	ROUND CAP BLACK (1' PIPE)
2.7	1	0221-022	DOWNPIPE GALV Ø80 X 1,5 X 120MM
2.8	1	0221-196	CLAMP 1'X80MM COMPL.

Mounting possibilities of front pen bars for pvc water supply



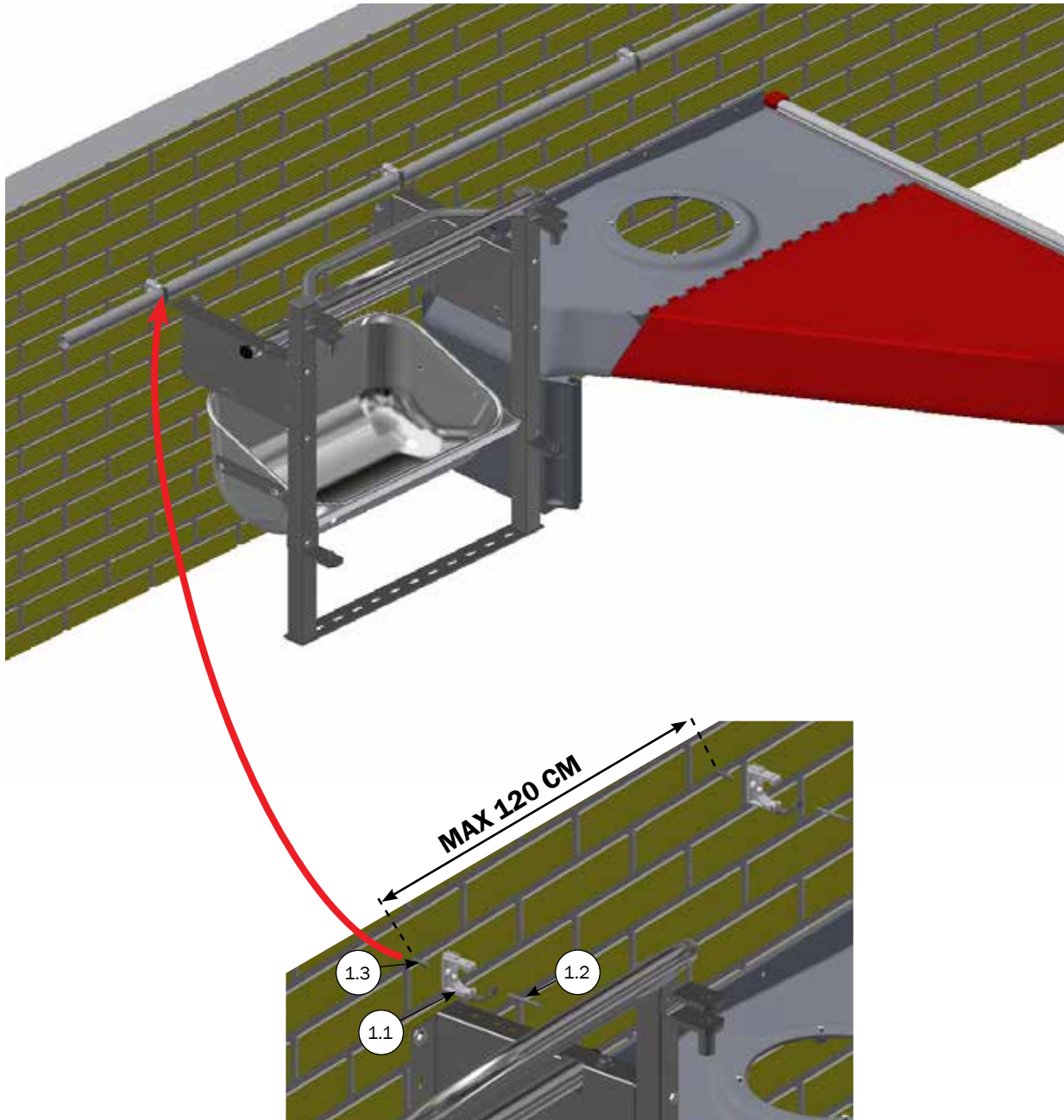
Mounting of pvc water pipes on boardprofile



PARTS LIST

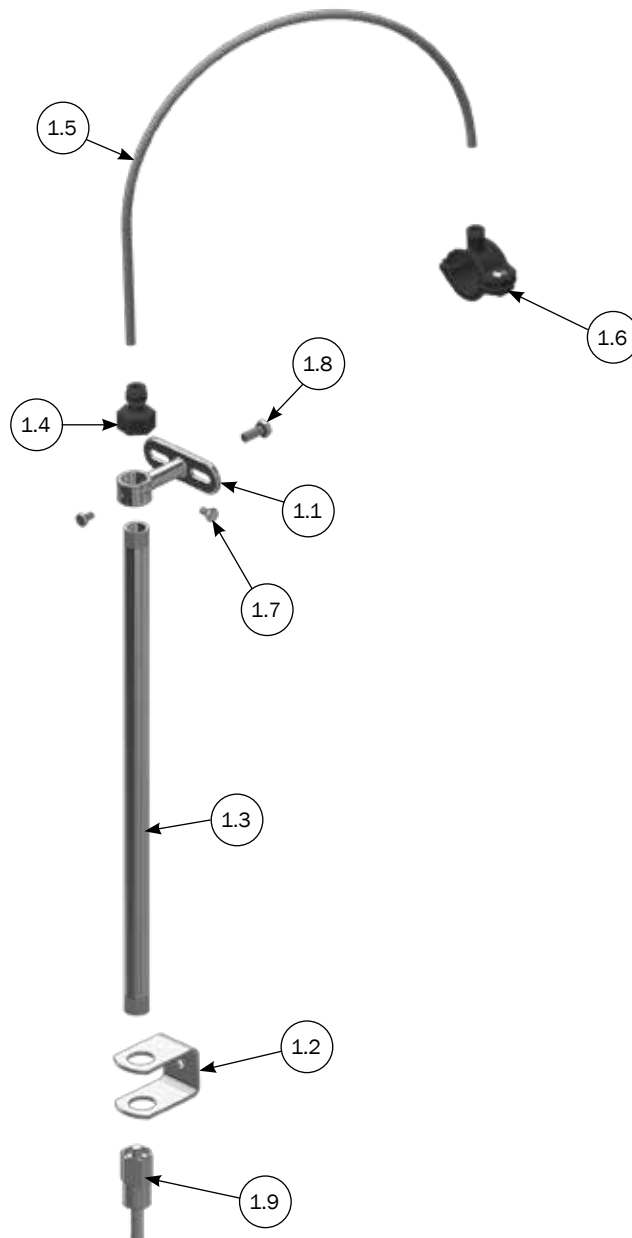
No	ITEM No.	DESCRIPTION
1	8500532	WATER PIPE HOLDER FOR 32 MM PVC PIPES

Mounting of pvc water pipes on the wall



PARTS LIST		
No	ITEM No.	DESCRIPTION
1	3900084	PVC THREADED NIPPLE Ø63/75 MM X 1¼'
1.1	23900387	PIPE HANGER WITH FASTENING BRACKET Ø32MM
1.2	25000039	CHIPBOARD SCREW 5X50 US-SLOTORX A2
1.3	9961004	DOWEL 6X30MM

Parts list for water pipe kit for pvc water supply

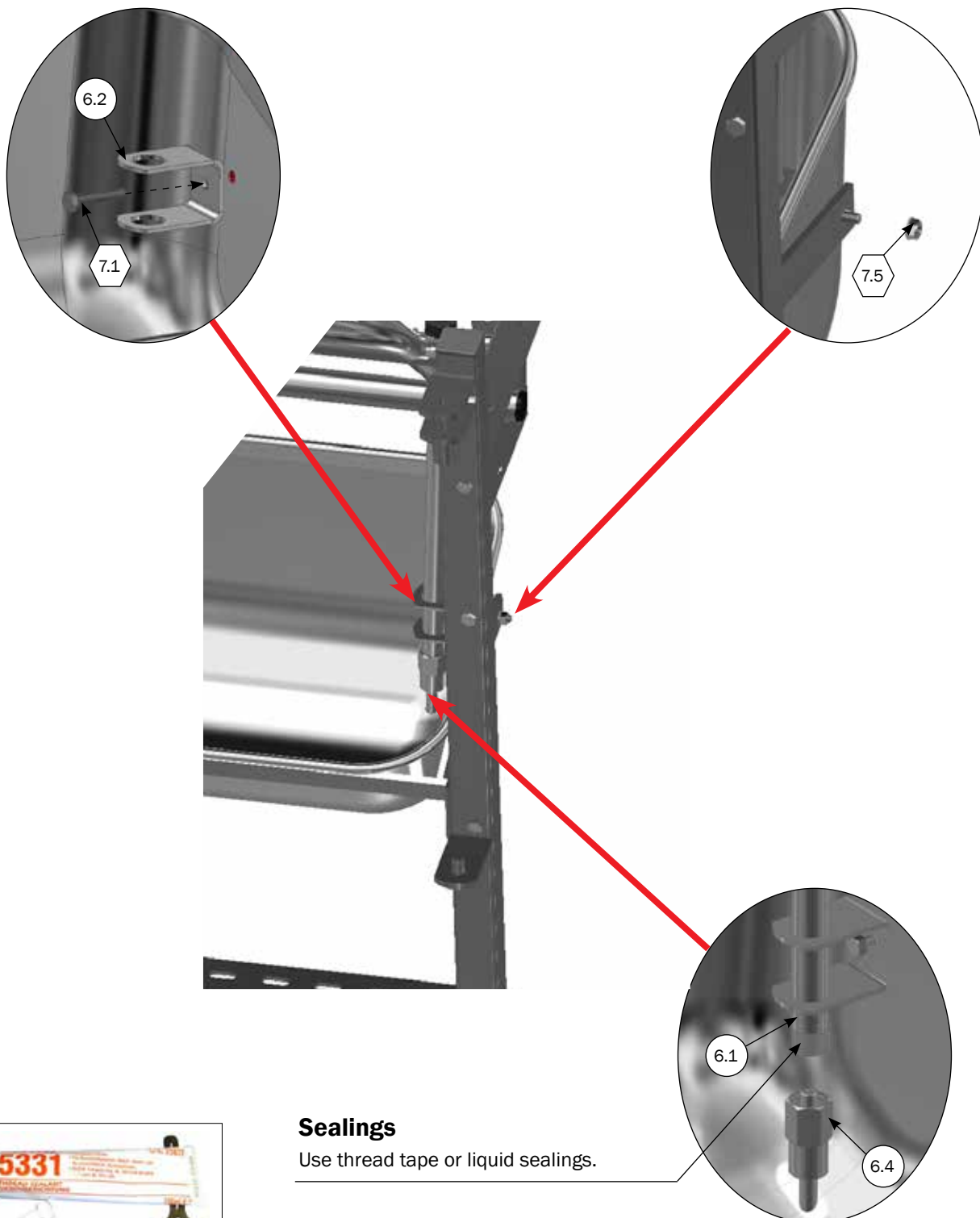


PARTS LIST			
No	PCS.	ITEM No.	DESCRIPTION
1		2100776	WATER PIPE KIT FOR SOWS WITH PVC WATER SUPPLY
1.1	1	20005	WATER PIPE BRACKET ½ FOR SOWTROUGH
1.2	1	2950521	WATER PIPE MOUNTING ½' STAINLESS WITH THREAD
1.3	1	06902120	NIPPELRØR 1/2' RUSTFRI 456 MM M/UDVENDIG GEVIND
1.4	1	61148	8 MM - ½ LYNOVERG. MUFFE/INDV.GEVIND
1.5	1	61012	HOSE 8 MM PE
1.6	1	61195	DRILL CLAMP PVC 10MM-32/33,7 MM
1.7	2	30306010	SET SCREW M6X10 ST DIN 933 A2
1.8	1	30308020	SET SCREW M8X20 A2 DIN 933
1.9	1	9900047	VIPPEVENTIL 1/2' RF TYPE 17 INDV. GEVIND, STOR VANDMÆNGDE

Mounting of bracket, nipple pipe and press nipple for stainless steel water supply

⬡ For parts list look at page 10

○ For parts list look at page 16



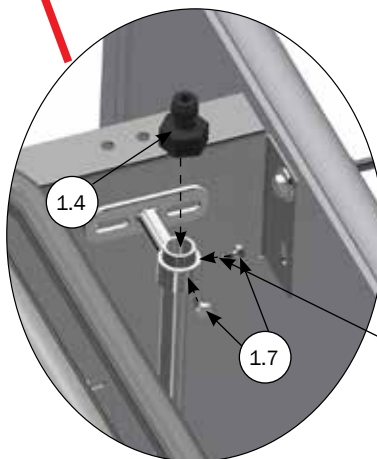
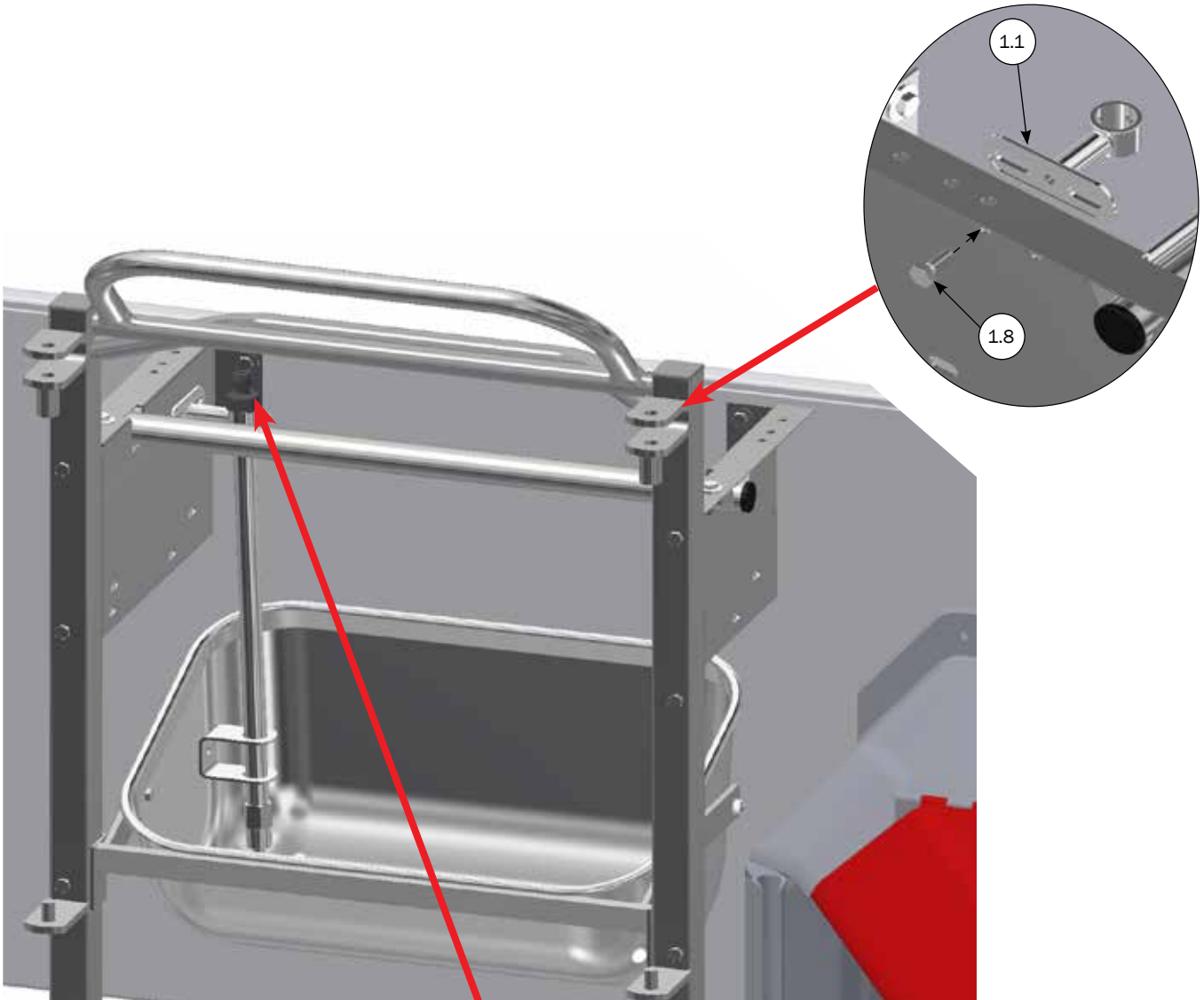
Sealings

Use thread tape or liquid sealings.

SEALINGS	
ITEM No.	DESCRIPTION
29100001	THREAD TAPE 1 ROLL = 10 M
18984	LIQUID SEALING 100 ML TUBE

Mounting of male coupler

○ For parts list look at page 24



Sealings

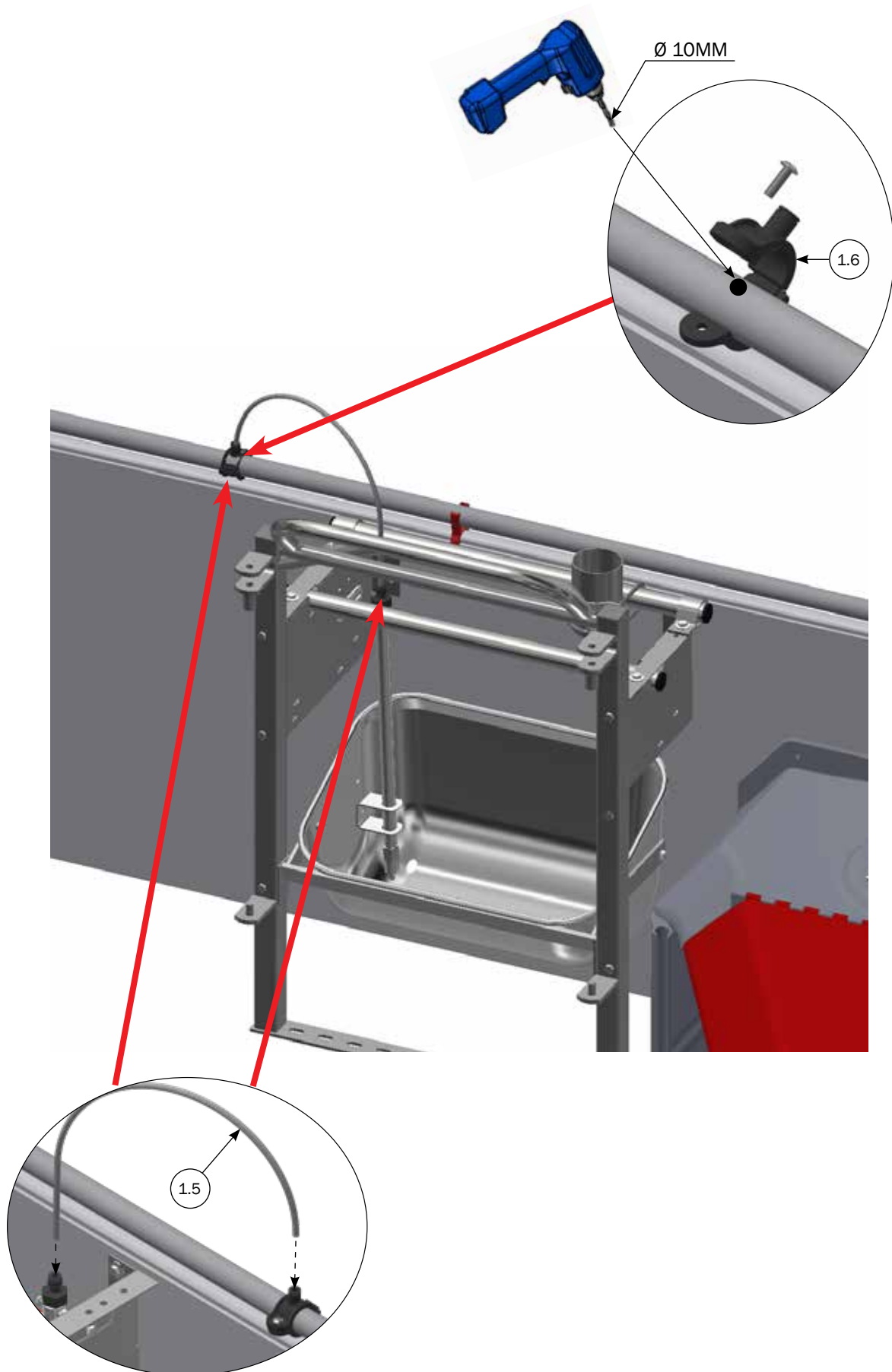
Use thread tape or liquid sealings.



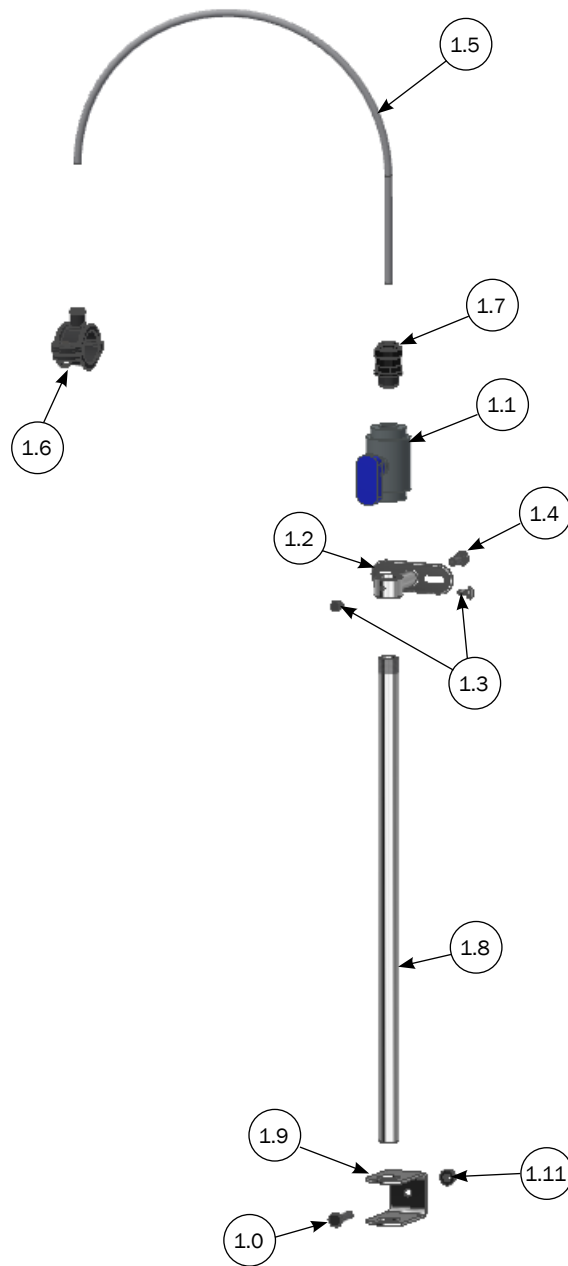
SEALINGS	
ITEM No.	DESCRIPTION
29100001	THREAD TAPE 1 ROLL = 10 M
18984	LIQUID SEALING 100 ML TUBE

Mounting of drill clamp on pvc water pipe

○ For parts list look at page 24



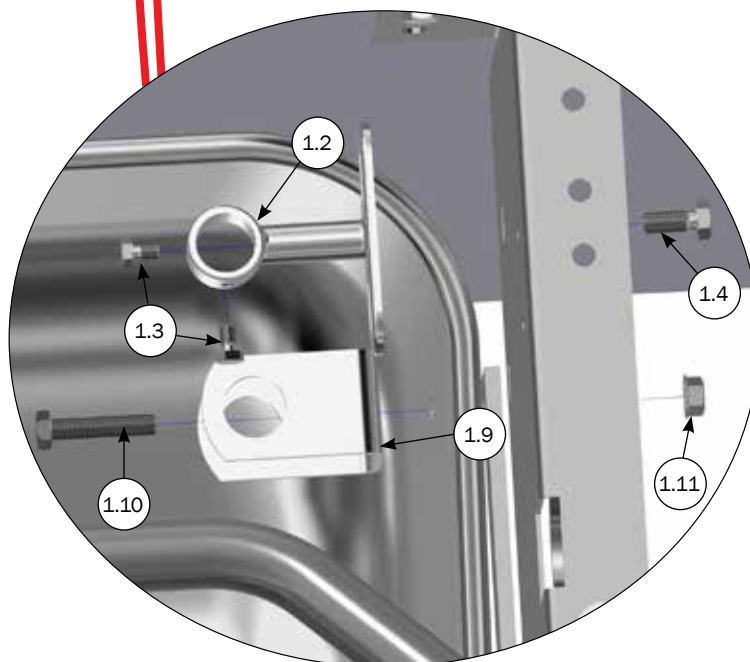
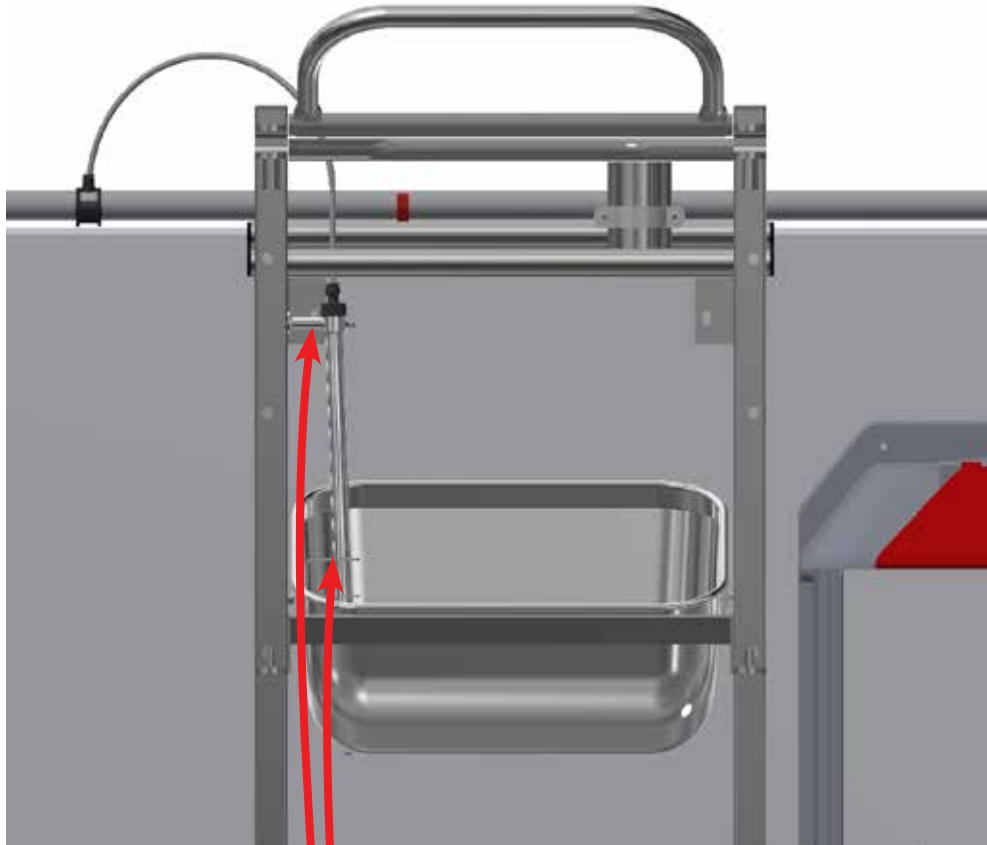
Parts list on manual water supply



PARTS LIST			
No	PCS.	ITEM No.	DESCRIPTION
1		2100624	MANUAL WATER FOR FARROWING PEN
1.1	1	23900357	BALL VALVE 1/2' - 1/2'
1.2	1	2950521	WATER PIPE MOUNTING 1/2' STAINLESS WITH THREAD
1.3	2	30306010	SET SCREW M6X10 ST DIN 933 A2
1.4	1	30308050	SET SCREW M8X50 A2 DIN 933
1.5	1	61012	HOSE 8 MM PE
1.6	1	61195	DRILL CLAMP PVC 10MM-32/33,7 MM
1.7	1	61124	MALE COUPLER 1/2/8 MM
1.8	1	06902118	NIPPLE PIPE 1/2' STAINLESS STEEL 495 MM W/THREAD
1.9	1	20005	WATER PIPE BRACKET 1/2 FOR SOWTROUGH
1.10	1	30308030	SÆTSKRUE M8X30 A2 DIN 933
1.11	1	68552	M8 FLANGEMØTRIK DIN 6923 A2

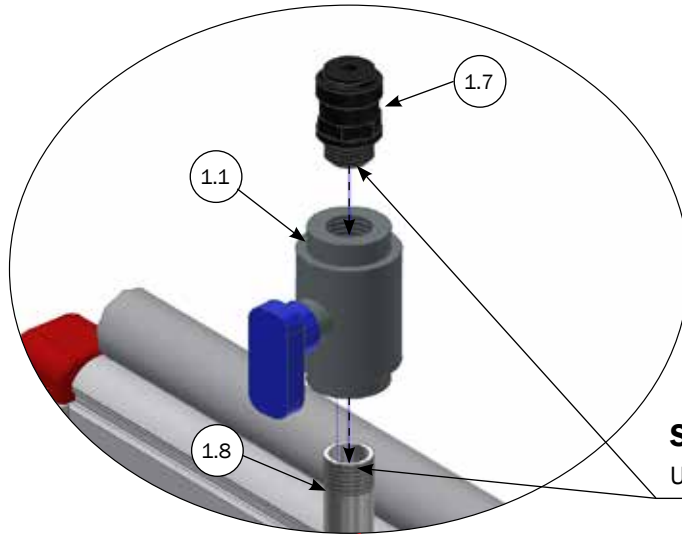
Mounting of bracket on farrowing rail

○ For parts list look at page 28



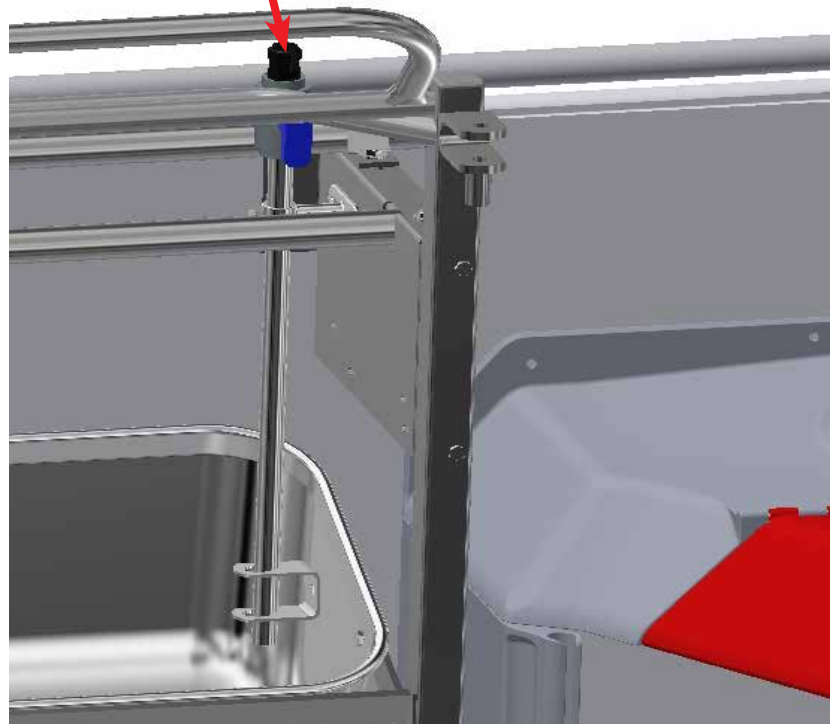
Mounting of ball valve and water pipe on farrowing rail

○ For parts list look at page 28



Sealings

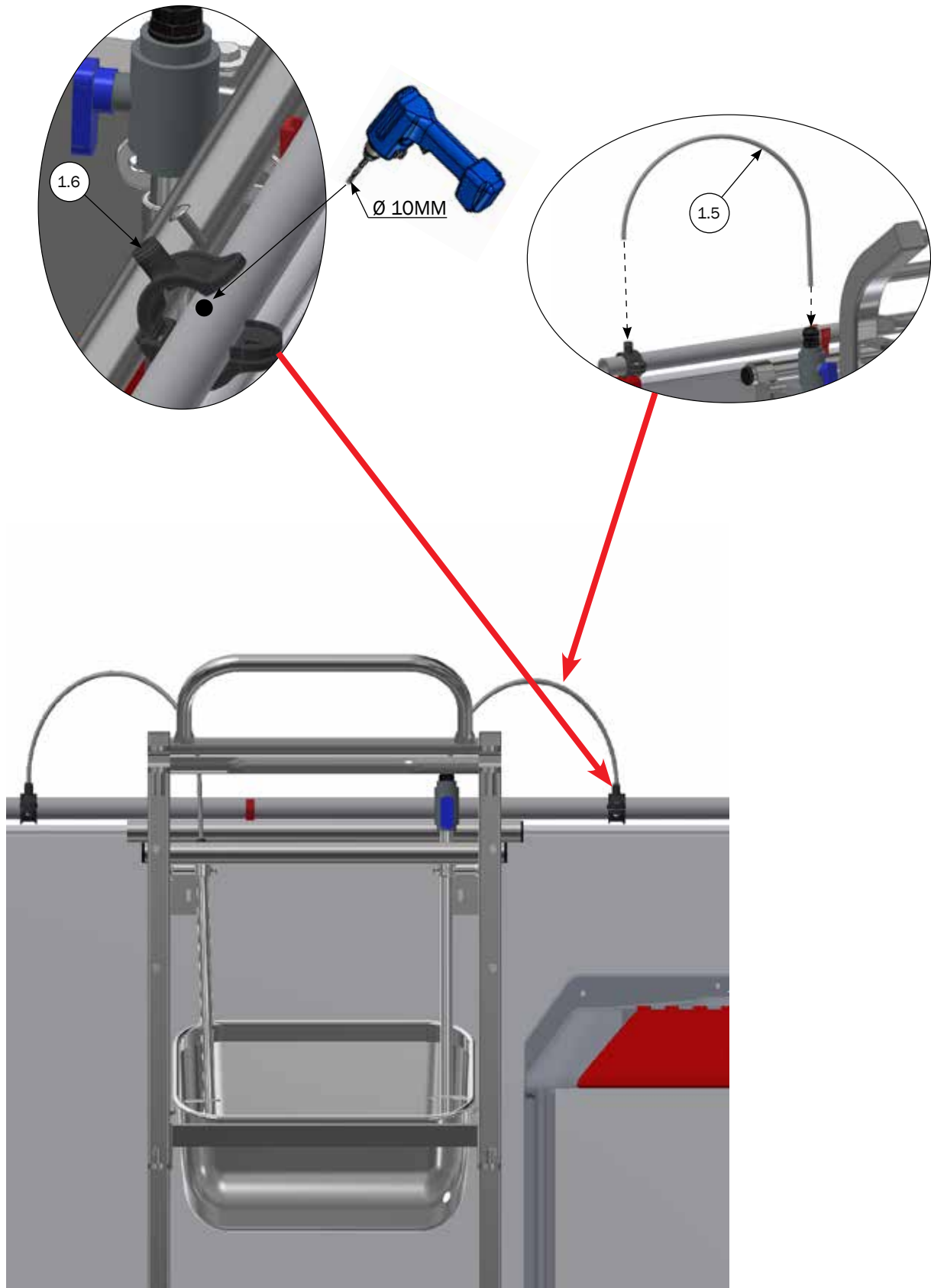
Use thread tape or liquid sealings.



SEALINGS	
ITEM No.	DESCRIPTION
29100001	THREAD TAPE 1 ROLL = 10 M
18984	LIQUID SEALING 100 ML TUBE

Mounting of drill clamp of water hose on water pipe

○ For parts list look at page 28

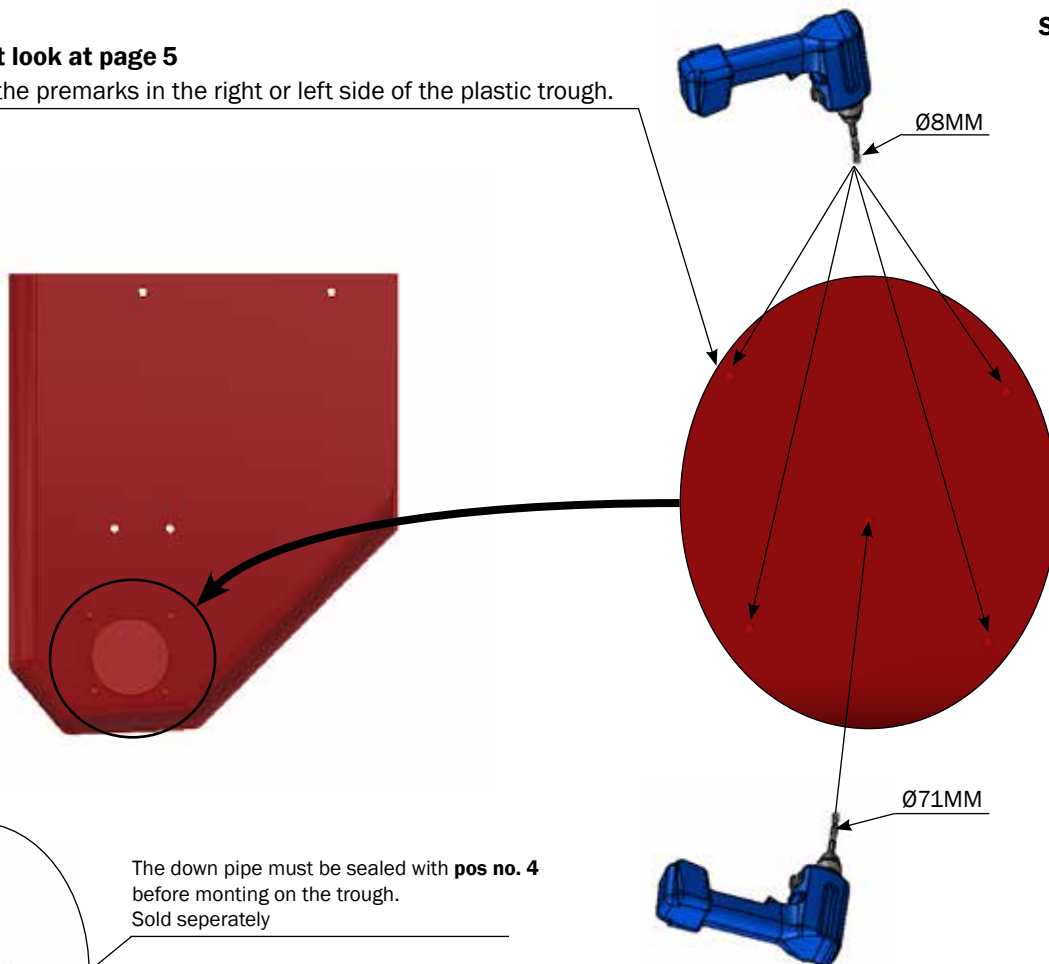


Mounting of integrated down pipe on plastic trough

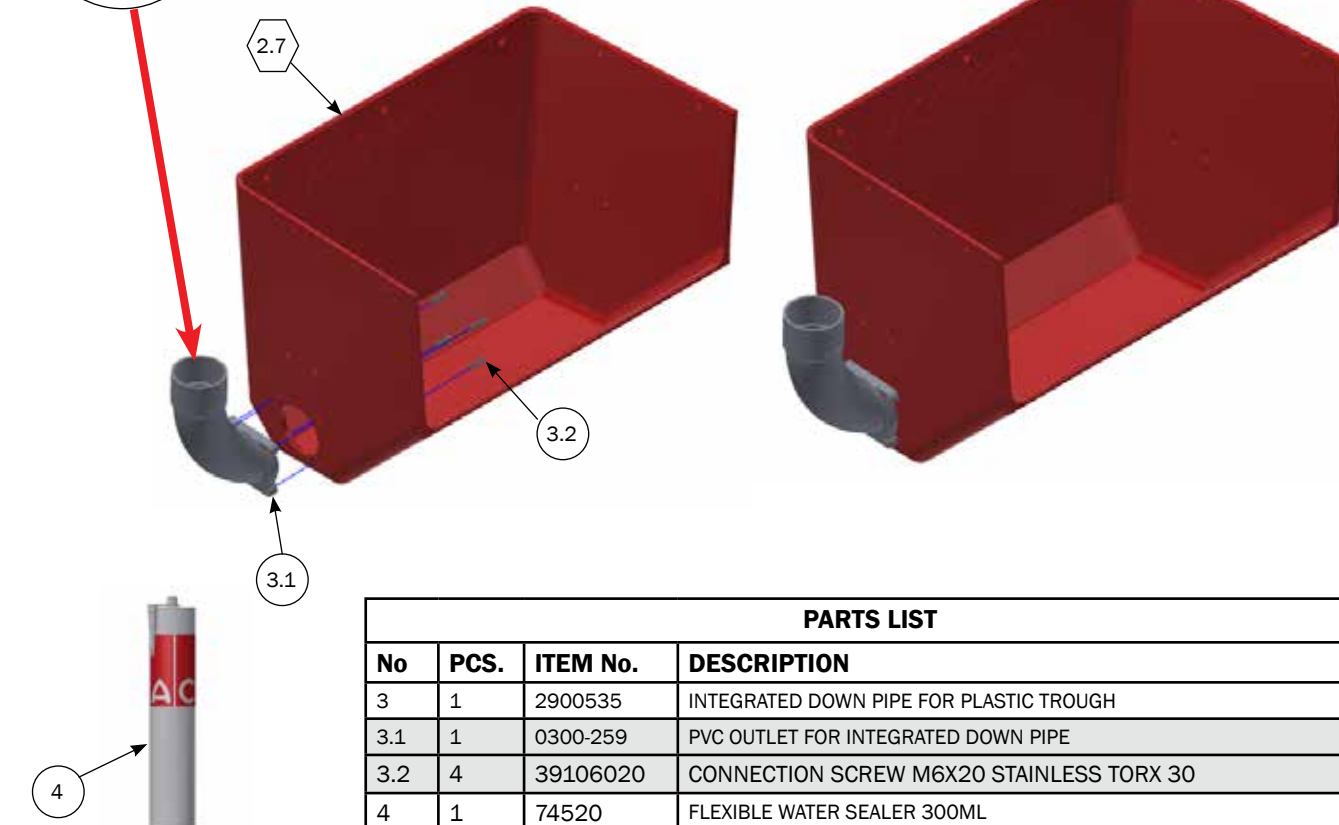
STEP 1

⬡ For parts list look at page 5

Drilled through the premarks in the right or left side of the plastic trough.

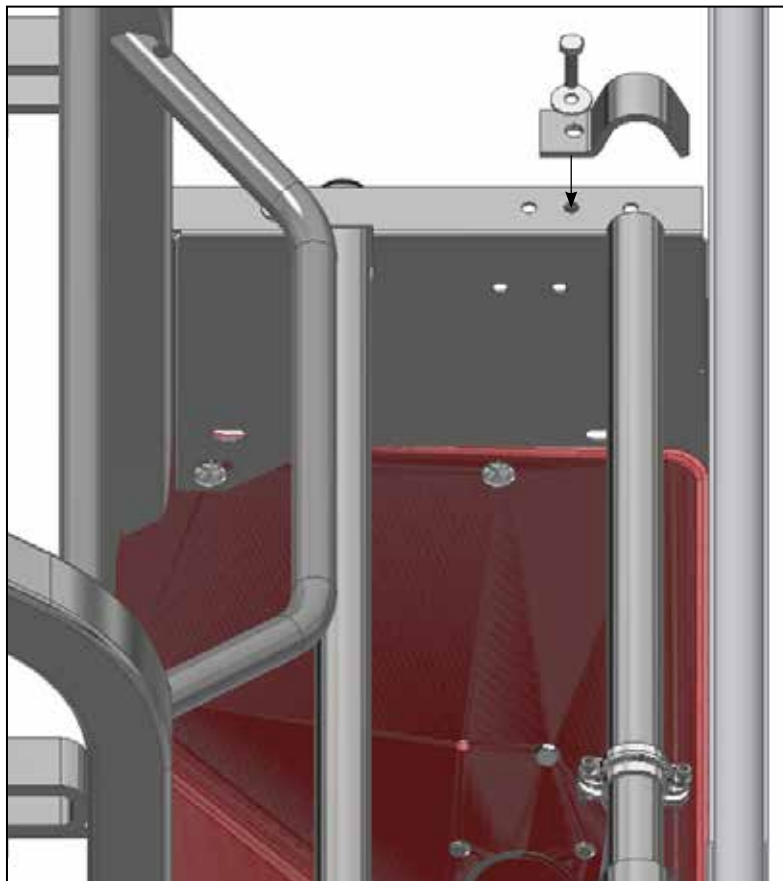


STEP 2

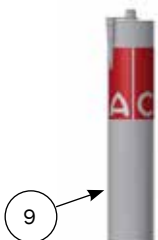
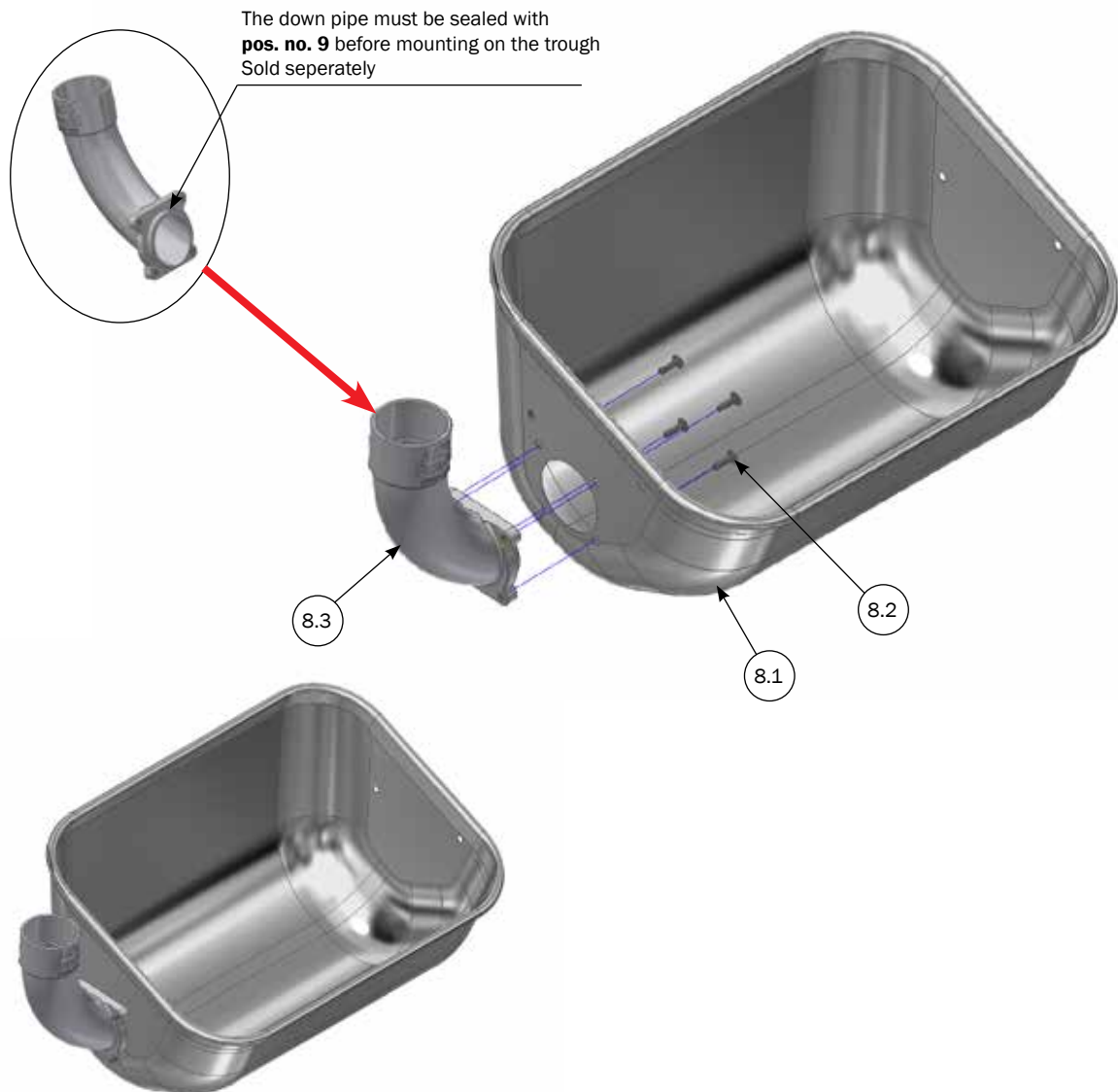


PARTS LIST			
No	PCS.	ITEM No.	DESCRIPTION
3	1	2900535	INTEGRATED DOWN PIPE FOR PLASTIC TROUGH
3.1	1	0300-259	PVC OUTLET FOR INTEGRATED DOWN PIPE
3.2	4	39106020	CONNECTION SCREW M6X20 STAINLESS TORX 30
4	1	74520	FLEXIBLE WATER SEALER 300ML

Mounting possibilities of water pipe on farrowing rail with plastic trough

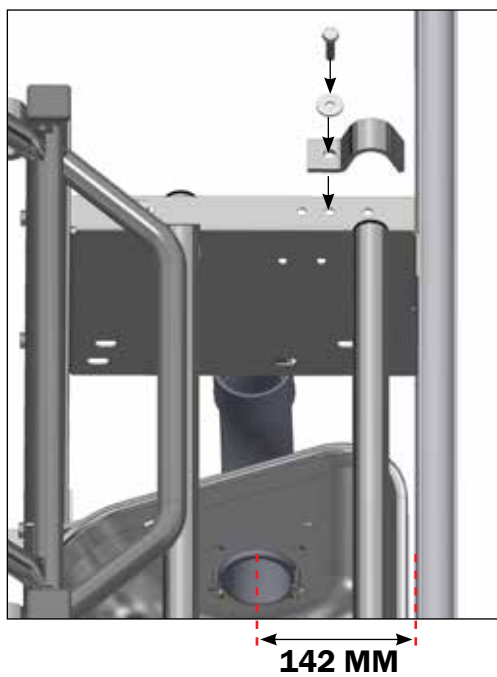
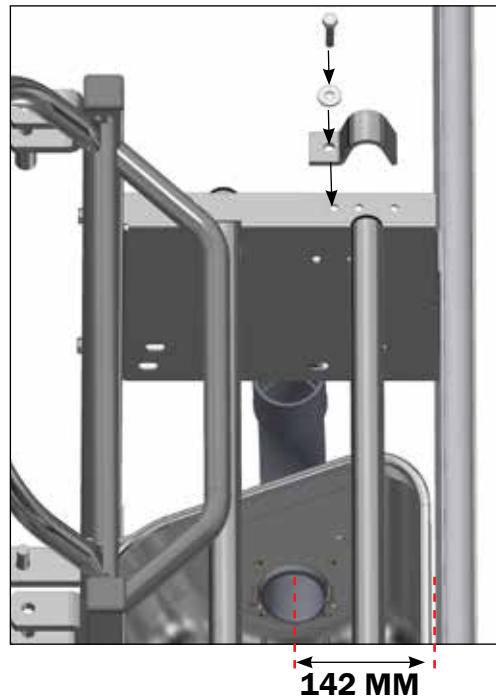


Mounting of integrated down pipe on stainless steel trough

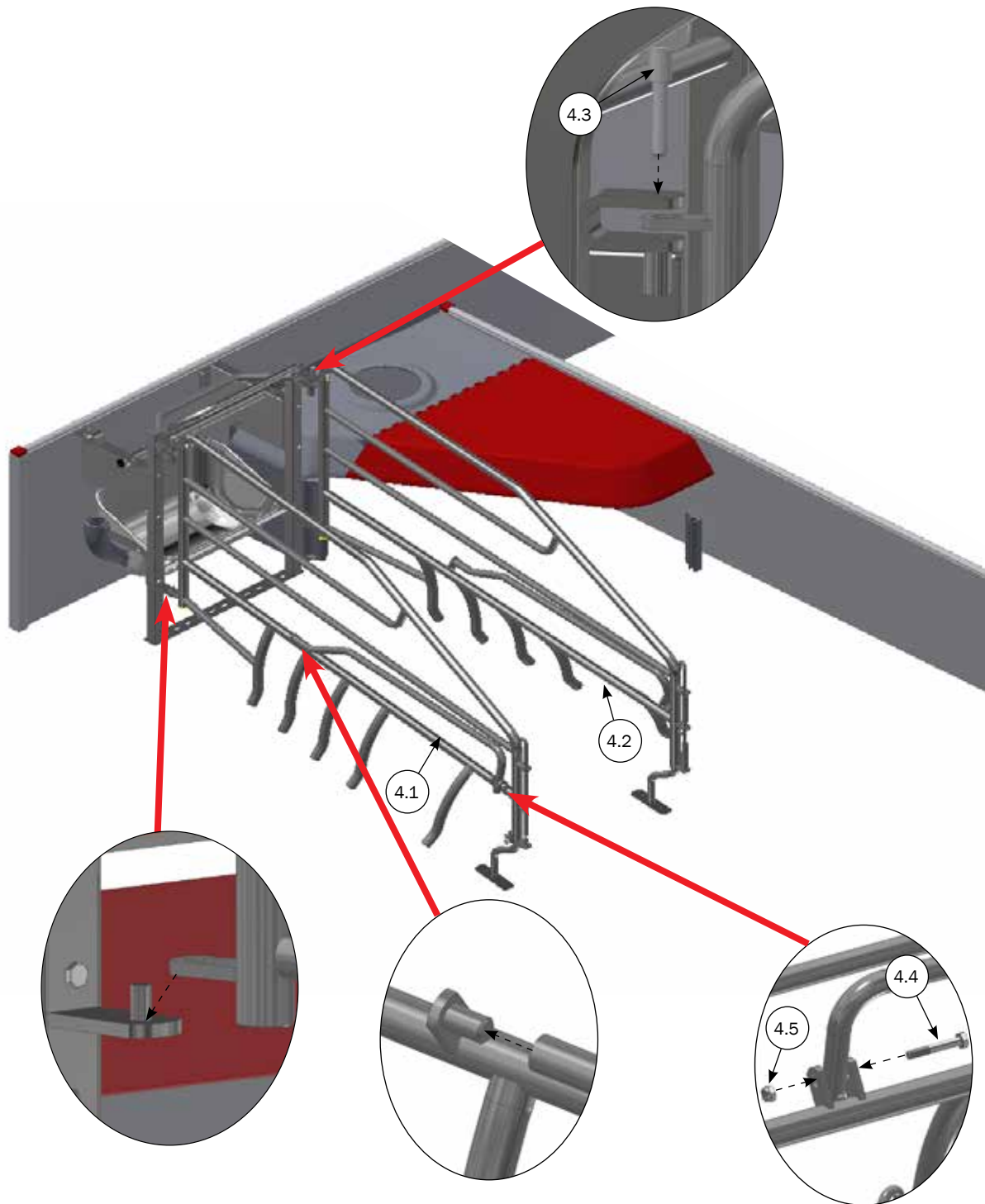


PARTS LIST			
No	PCS.	ITEM No.	DESCRIPTION
		2900712	SOW TROUGH WITH HOLE AND INTEGRATED DOWN PIPE, RIGHT
8	1	2900711	SOW TROUGH WITH HOLE AND INTEGRATED DOWN PIPE, LEFT
8.1	1	2950711	SOW TROUGH WITH HOLE FOR INTEGRATED DOWN PIPE, LEFT
8.2	4	39106020	CONNECTION SCREW M6X20 STAINLESS TORX 30
8.3	1	0300-259	PVC OUTLET FOR INTEGRATED DOWNPIPE
9	1	74520	FLEXIBLE WATER SEALER 300ML

Mounting possibilities of water pipe on farrowing rail with stainless steel trough

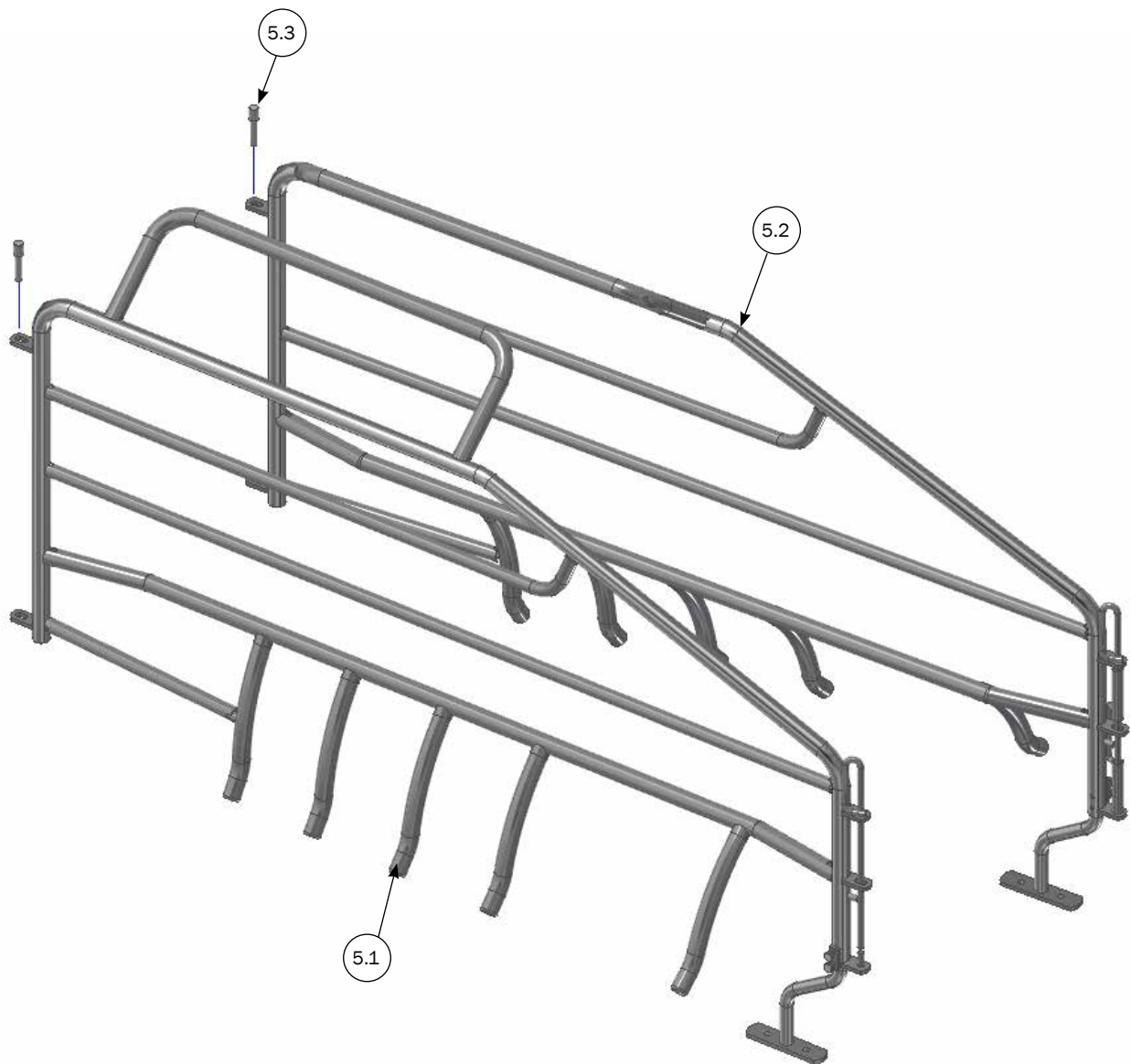


Mounting of farrowing partition on farrowing rail



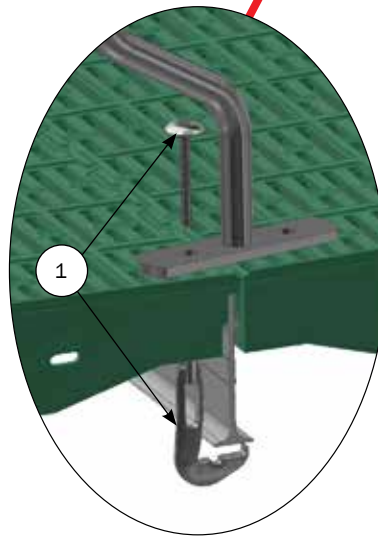
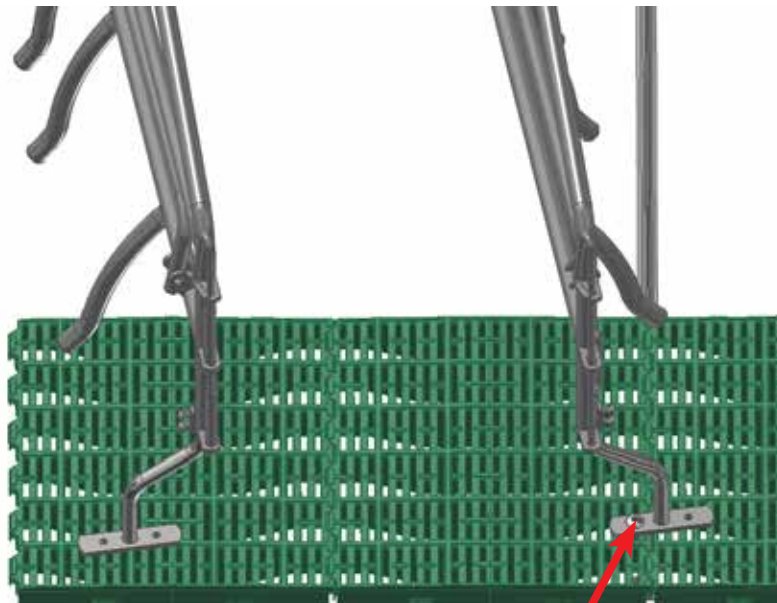
PARTS LIST			
No	PCS.	ITEM No.	DESCRIPTION
		2100144	FARROWING PARTITION F200S WITH TILTING BOW
		2105143	FARROWING PARTITION LEFT F200 INCL. TILTING BOW, PIN AND FOOT
		2105144	FARROWING PARTITION RIGHT F200 INCL. TILTING BOW, PIN AND FOOT
4	1	2100563	FARROWING PARTITION F207 WITH TILT FENDER
4.1	1	2105563	FARROWING PARTITION F205, LEFT- SET, INCL TILTING BOW, PINHOLDER
4.2	1	2105564	FARROWING PARTITION F205, RIGHT - SET INCL TILTING BOW, PINHOLDER
4.3	2	2020726	SHORT PIN FOR WING Ø 12 MM
4.4	2	32310065	MACHINE SCREW M10X65 A2 DIN 931
4.5	2	33900029	LOCK NUT M10 A2 DIN 985

Parts list on farrowing partition F200S export



PARTS LIST			
No	PCS.	ITEM No.	DESCRIPTION
	1	2100612	FARROWING PARTITION F200S EXPORT
5.1	1	2105613	FARROWING PARTITION LEFT F200 EXPORT INCL. PIN AND FOOT
5.2	1	2105612	FARROWING PARTITION RIGHT F200 EXPORT INCL. PIN AND FOOT
5.3	2	2020726	SHORT PIN FOR WING Ø 12 MM

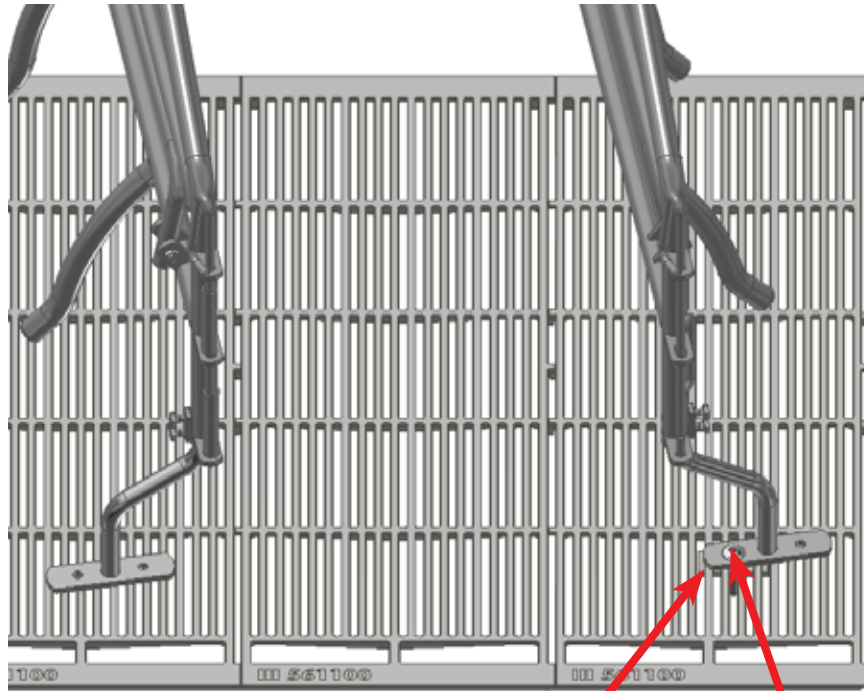
Mounting of farrowing in combi floor



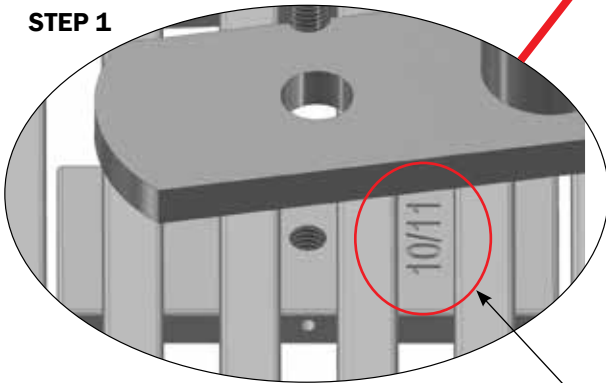
Only 1 farrowing partition is mounted in the floor

PARTS LIST		
No	ITEM No.	DESCRIPTION
1	4800025	10 PIECE ANCHOR SET M8 80-115MM
1	4800030	10 PIECE ANCHOR SET M8 100-130 MM
1	4800035	10 PIECE ANCHOR SET M8 130-160 MM
1	4800040	10 PIECE ANCHOR SET M8 100-130 MM
1	4800045	10 PIECE ANCHOR SET M8 120-150 MM
1	4800050	10 PIECE ANCHOR SET M8 150-180 MM
1	29100067	THREAD GLUE STRONG, ACO FUNKI 16,5 ML

Mounting of bolt-on fittings in cast iron slats

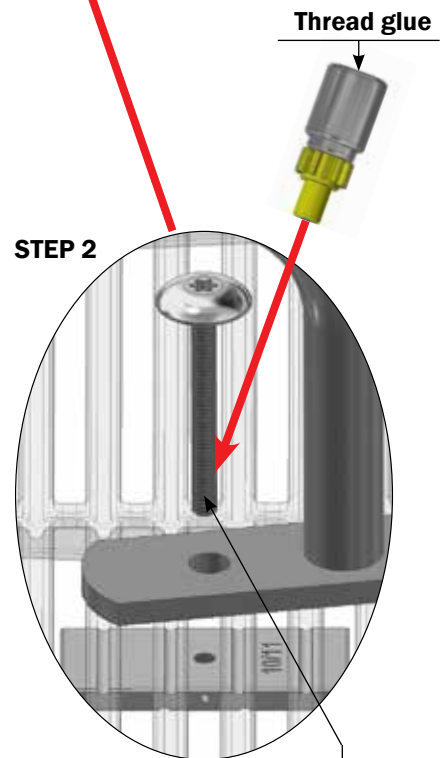


STEP 1



Bolt-on fitting is placed correct if 10/11 iron slats and the marking 10/11 on the bracket is turned up against the slats, and the same for 12/ 13 iron slats.

STEP 2

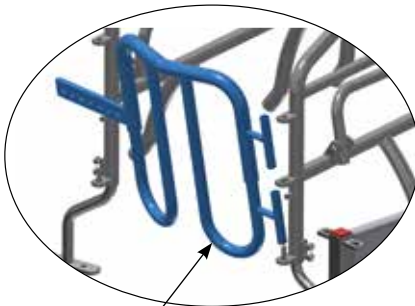
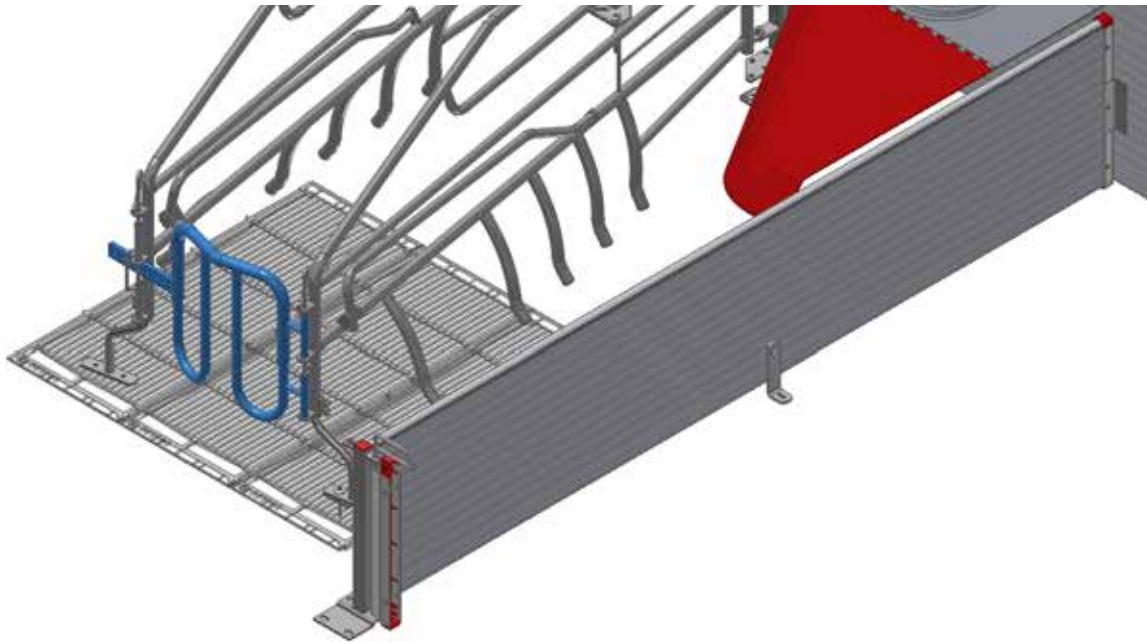


Thread glue **item no. 29100067 must** be applied the screw when mounting the screw in the bolt-on fitting, and the screw **must** also be tightened afterwards with a nut buckles.
Function hardening, 3 hours, through hardening 8 hours.

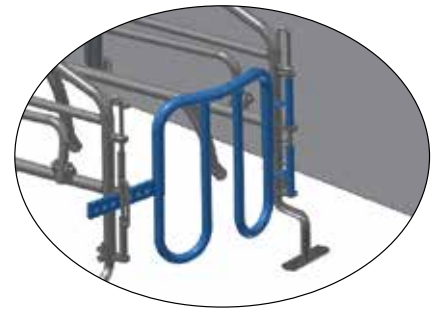
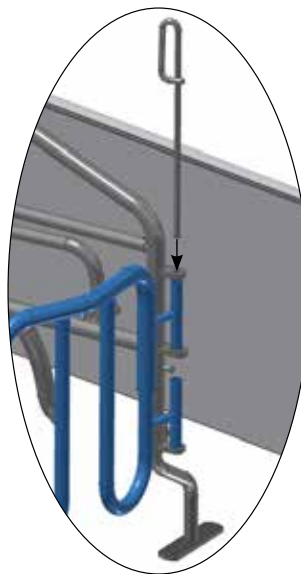
PARTS LIST

No	ITEM No.	DESCRIPTION
1	1900241	10 PCS BOLT-ON FITTINGS LARGEFOR CAST IRON SLATS
1	4800008	10 PCS BOLT-ON FITTINGS WITH 2 THREAD FOR CAST IRON SLATS
2	29100067	THREAD GLUE STRONG, ACO FUNKI 16,5 ML

Mounting of rear gate on farrowing partition



1



PARTS LIST

No	ITEM No.	DESCRIPTION
1	2116509	REAR GATE MODEL SOFT 3/4', LEFT-OPENED
2	2120509	LEFT REAR GATE GALV, SOFT 3/4'
3	2116510	REAR GATE MODEL SOFT 3/4', LEFT-OPENED
4	2120510	RIGHT REAR GATE GALV, SOFT 3/4'
5	2115051	REAR GATE F200, 45-65 CM, GALVANIZED