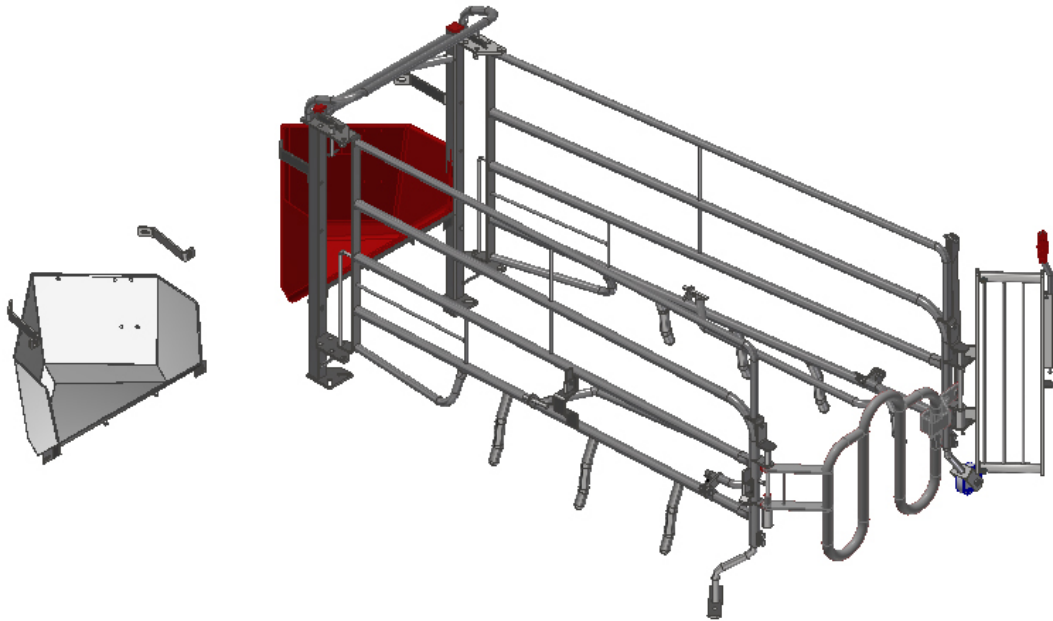


MOUNTING INSTRUCTION



WELSAFE MOVE

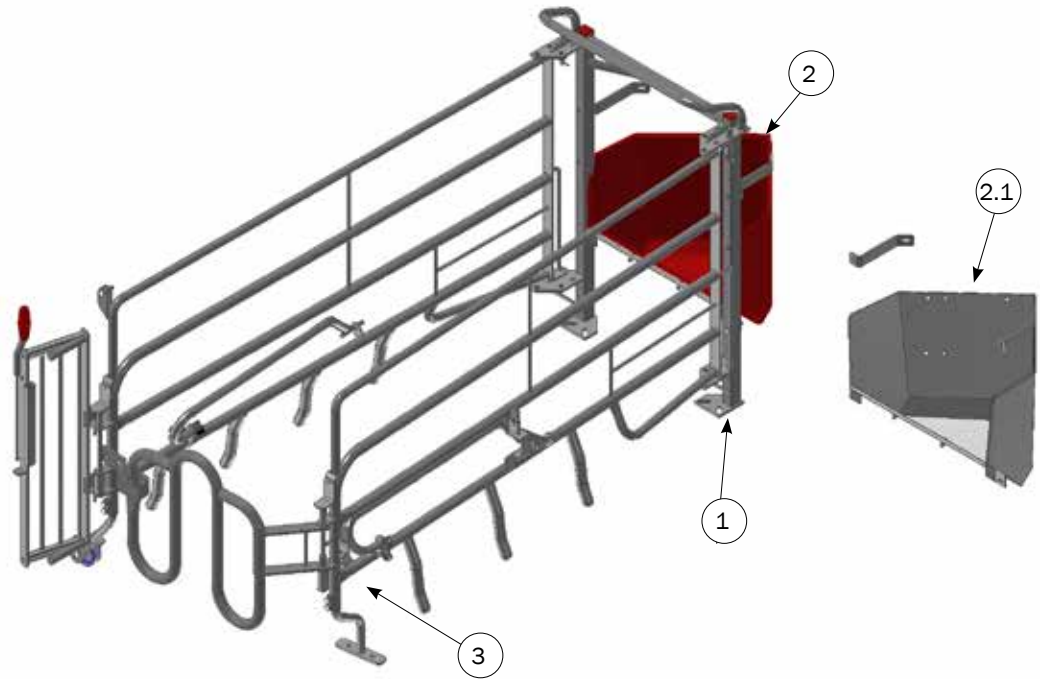
Farrowing pen



ACO FUNKI A/S
Kirkevænget 5
DK-7400 Herning

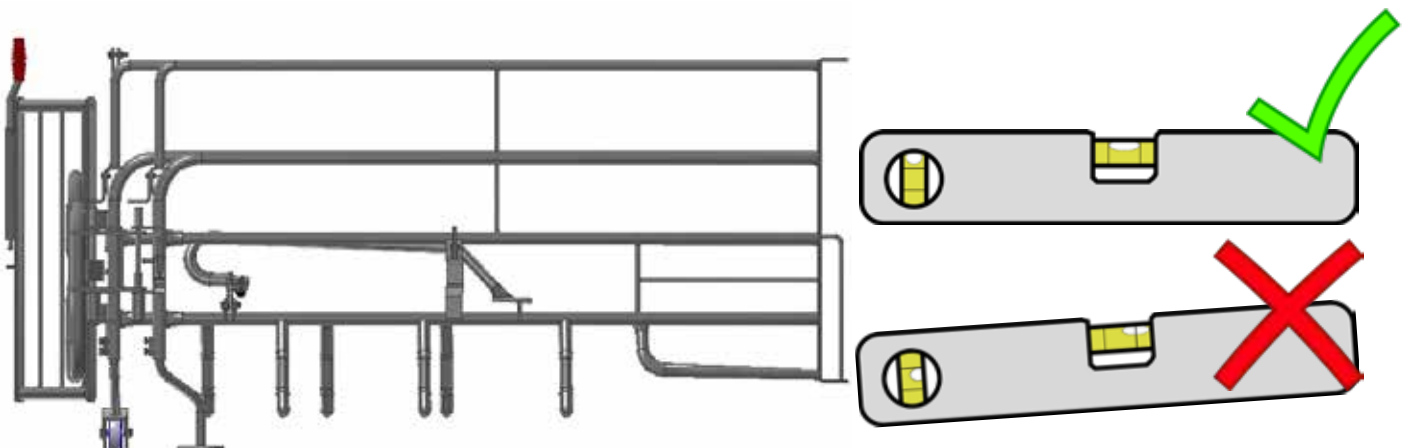
Tel. +45 9711 9600
www.acofunki.com
www.egebjerg.com

Farrowing pen

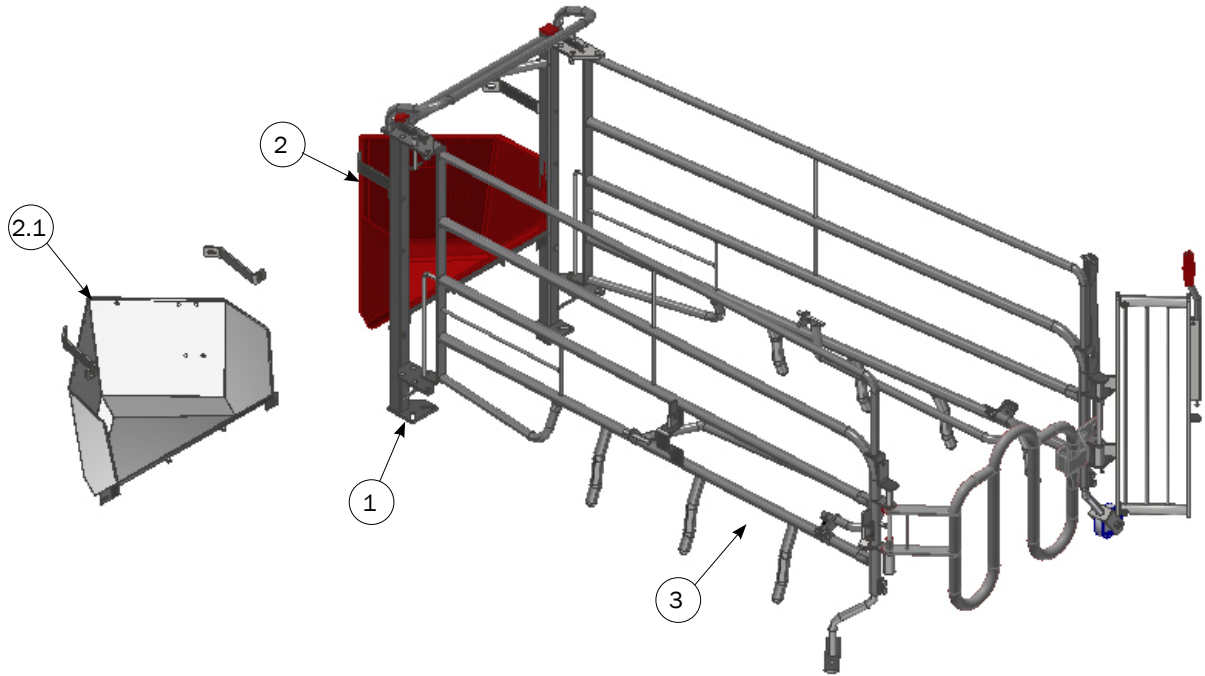


PARTS LIST

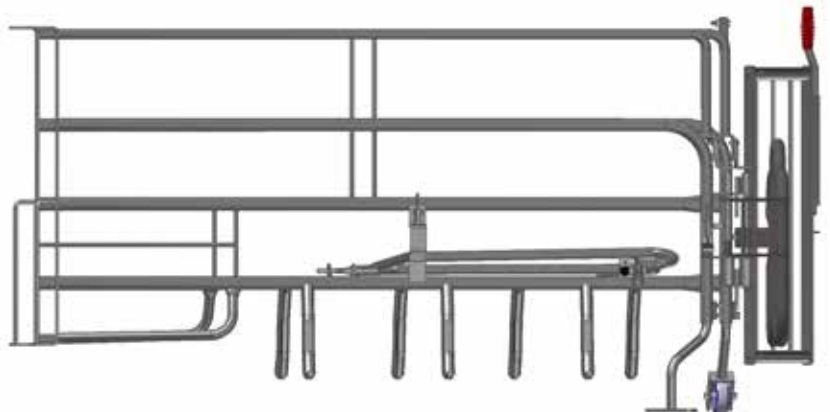
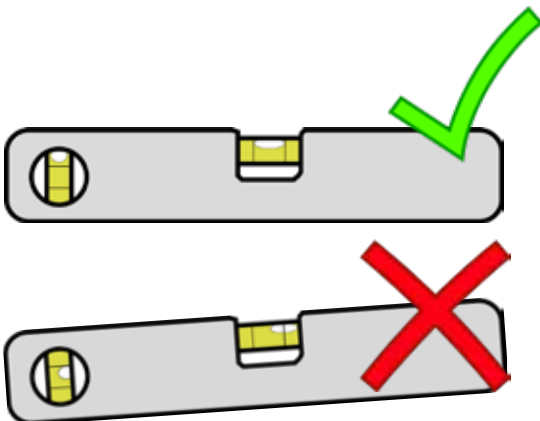
No	Part No	Description	Pcs.
1	2700040	FARROWING RAIL INN-O-CRATE WITHOUT FRONT PART	1
2	2900565	PLASTIC CORNER TROUGH INCL. MOUNTING KIT	1
2.1	2900570	STAINLESS CORNER TROUGH INCL. MOUNTING KIT	1
3	2700215	FARROWING PARTITION, LEFT PEN, WELSAFE FLEX	1



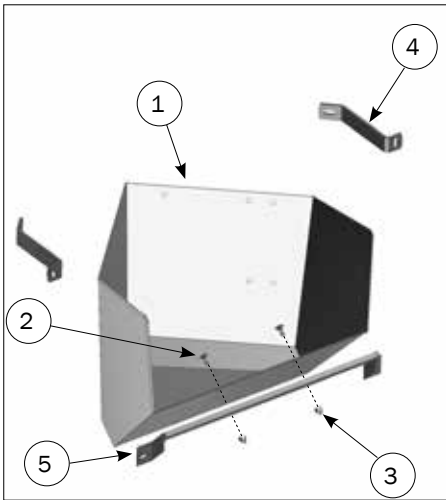
Farrowing pen



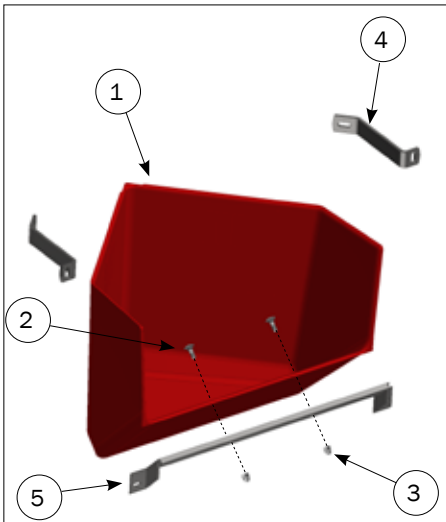
PARTS LIST			
No	Part №	Description	Pcs.
1	2700040	FARROWING RAIL INN-O-CRATE WITHOUT FRONT PART	1
2	2900565	PLASTIC CORNER TROUGH INCL. MOUNTING KIT	1
2.1	2900570	STAINLESS CORNER TROUGH INCL. MOUNTING KIT	1
3	2700216	FARROWING PARTITION, RIGHT PEN, WELSAFE FLEX	1



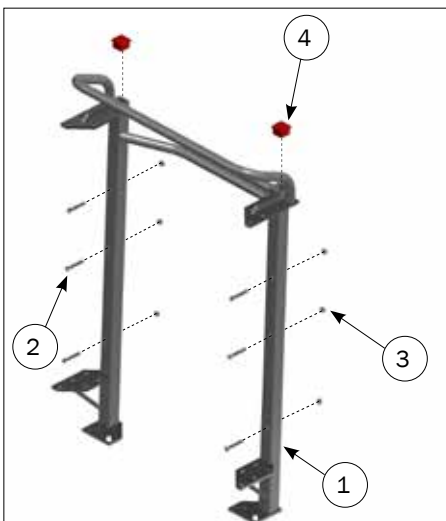
Stainless/plastic corner trough and farrowing rail



STAINLESS CORNER TROUGH			
No	Part №	Description	Pcs.
	2900570	STAINLESS CORNER TROUGH INCL. MOUNTING KIT	
1	2910570	STAINLESS STEEL CORNER TROUGH,45 GR.	1
2	36308020	MUSHROOMHEADED BOLT M8X20 A2 DIN 603	2
3	33208001	CAP NUT M8 A2 DIN 1587	2
4	2920569	STABILIZER FOR FARROWIN RAIL	2
5	2920566	SUPPORT FOR TROUGH IN FARROWING RAIL 40/50	1

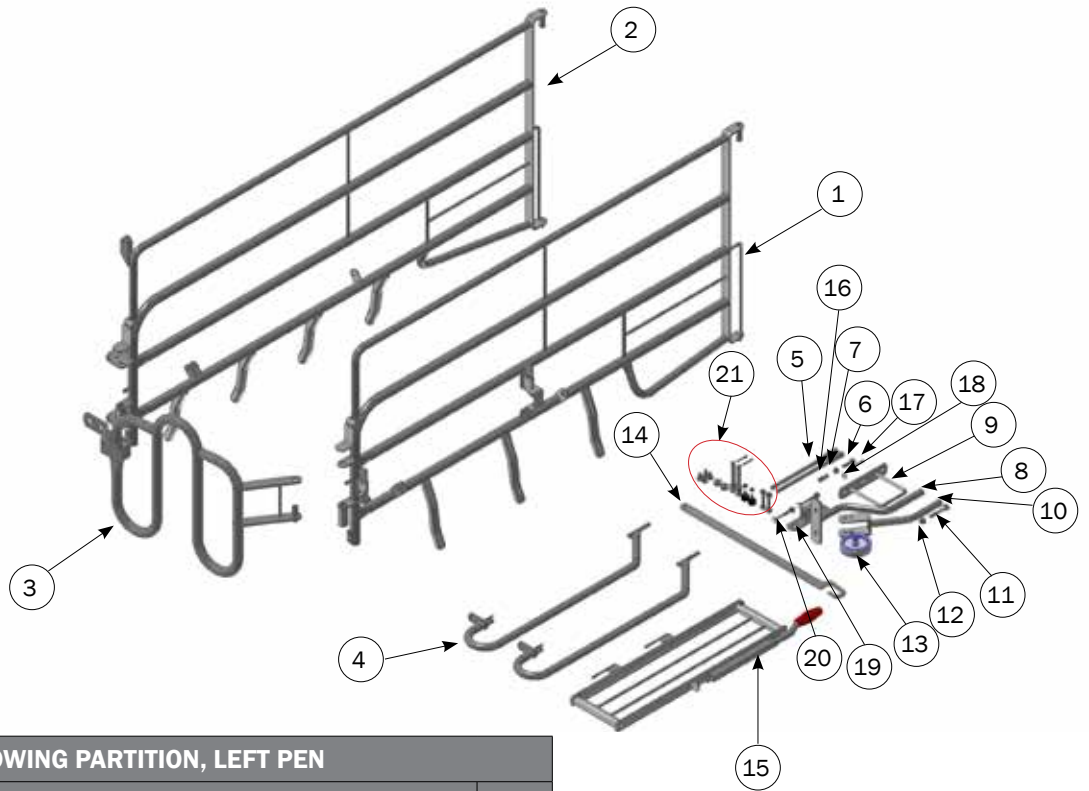


PLASTIC CORNER TROUGH			
No	Part №	Description	Pcs.
	2900565	PLASTIC CORNER TROUGH INCL. MOUNTING KIT	
1	2960565	BIOFORM III PLASTIC CORNER TROUGH	1
2	36308025	MUSHROOMHEADED BOLT M8X25 A2 DIN 603	2
3	33208001	CAP NUT M8 A2 DIN 1587	2
4	2920569	STABILIZER FOR FARROWIN RAIL	2
5	2920566	SUPPORT FOR TROUGH IN FARROWING RAIL 40/50	1

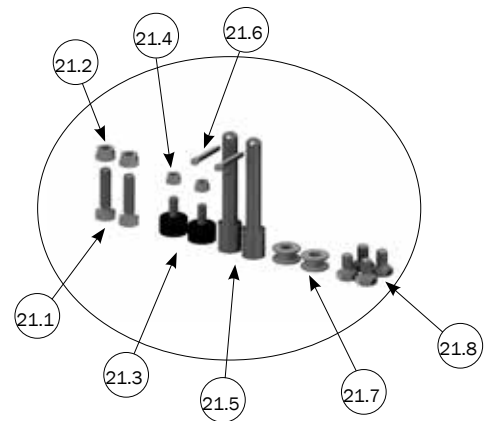


FARROWING RAIL			
No	Part №	Description	Pcs.
	2700040	FARROWING RAIL INN-O-CRATE WITHOUT FRONT PART	
1	2720040	FARROWING RAIL FOR PLASTIC/STAINLESS STEEL TROUGH	1
2	30308055	SET SCREW M8X55 A2 DIN 933	6
3	68552	COLLAR HEAD NUT M8 A2 DIN 6923	6
4	9960003	CAP 40 X 40 X 3	2

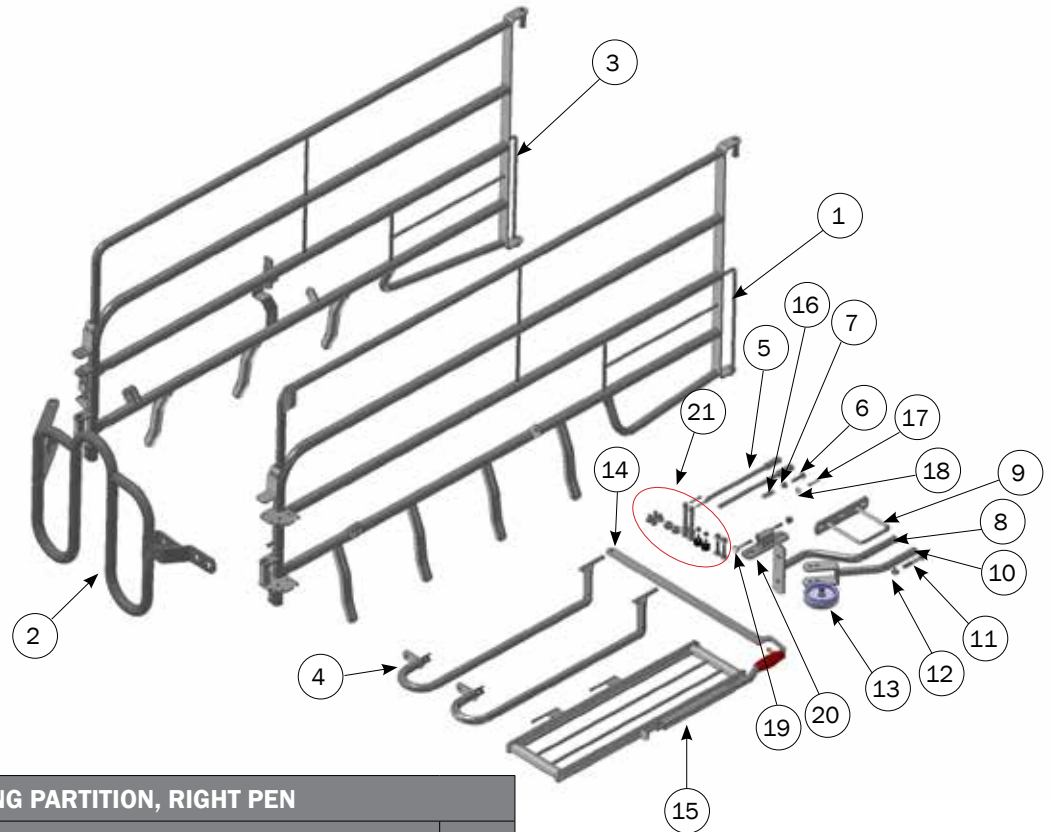
Farrowing partition, left pen



FARROWING PARTITION, LEFT PEN			
No	Part №	Description	Pcs.
	2700215	FARROWING PARTITION, LEFT PEN, WELSAFE MOVE	
1	2710033	MOVEABLE SIDE, RIGHT FOR LEFT PEN	1
2	2710215	MOVEABLE SID FOR LEFT PEN ASSEMBLED	1
3	2720233	RIGHT REAR GATE FOR FARROWING CRATE WELSAFE, GALVANIZED	1
4	2720136	TILT FENDER FOR FARROWING PARTITION XL	2
5	42341	PEG FOR GATE, FARROWINGCRATE XL	2
6	30310040	SET SCREW M10X40 A2 DIN 933	1
7	33900029	LOCK NUT M10 A2 DIN 985	3
8	42339	SUPPORT FOR MOVEABLE SIDE	1
9	2720039	FIXATION BRACKET FOR MOVEABLE SIDE	1
10	2720176	WHEEL FORK FOR FARROWING PARTITION	1
11	32312070	MACHINE BOLT M12X70 A2 DIN 931	1
12	33912000	LOCK NUT M12 A2 DIN 985	3
13	17955	SUPPORT WHEEL INN-O-FLEX GATE	1
14	2720217	TOP LOCK	1
15	2710172	SIDE GATE, WELSAFE	1
16	9929017	SPRING PIN TY. C WIRE 1,6 12X45, STAINLESS STEEL	1
17	35900095	SPLIT PINS 4X40 MM A2 DIN 94	1
18	35600038	FLAT WASHER Ø10.5X20X2 MM A2 DIN 125A	1
19	1915011	GATE STOP 40 MM EXCL. BOLTS AND SCREWS	1
20	32510060	MACHINE BOLT M10X60 A2 DIN 931	2
21	2710220	ACCESSOIRES KIT FOR 1 WELSAFE FARROWING PEN	1
21.1	30310040	SET SCREW M10X40 A2 DIN 933	2
21.2	33900029	LOCK NUT M10 A2 DIN 985	2
21.3	58158	RUBBERSTOP M8 X 16	2
21.4	33908001	LOCK NUT M8 A2 DIN 985	2
21.5	42249	PIN FOR MOVEABLE SIDE 14 MM FARROWING XL 2009	2
21.6	35900095	SPLIT PINS 4X40 MM A2 DIN 94	2
21.7	42229	BUSHING FOR FENDER FARROWING CRATE	2
21.8	30310016	SET SCREW M10X16 A2 DIN 933	4

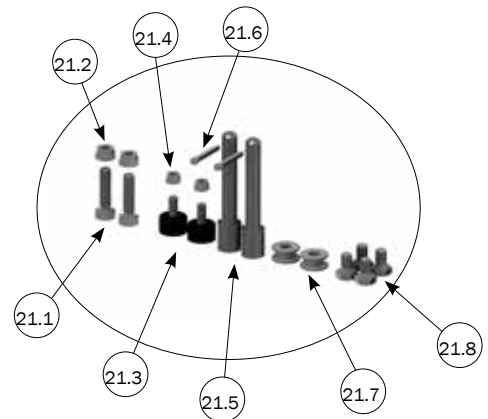


Farrowing partition, right pen

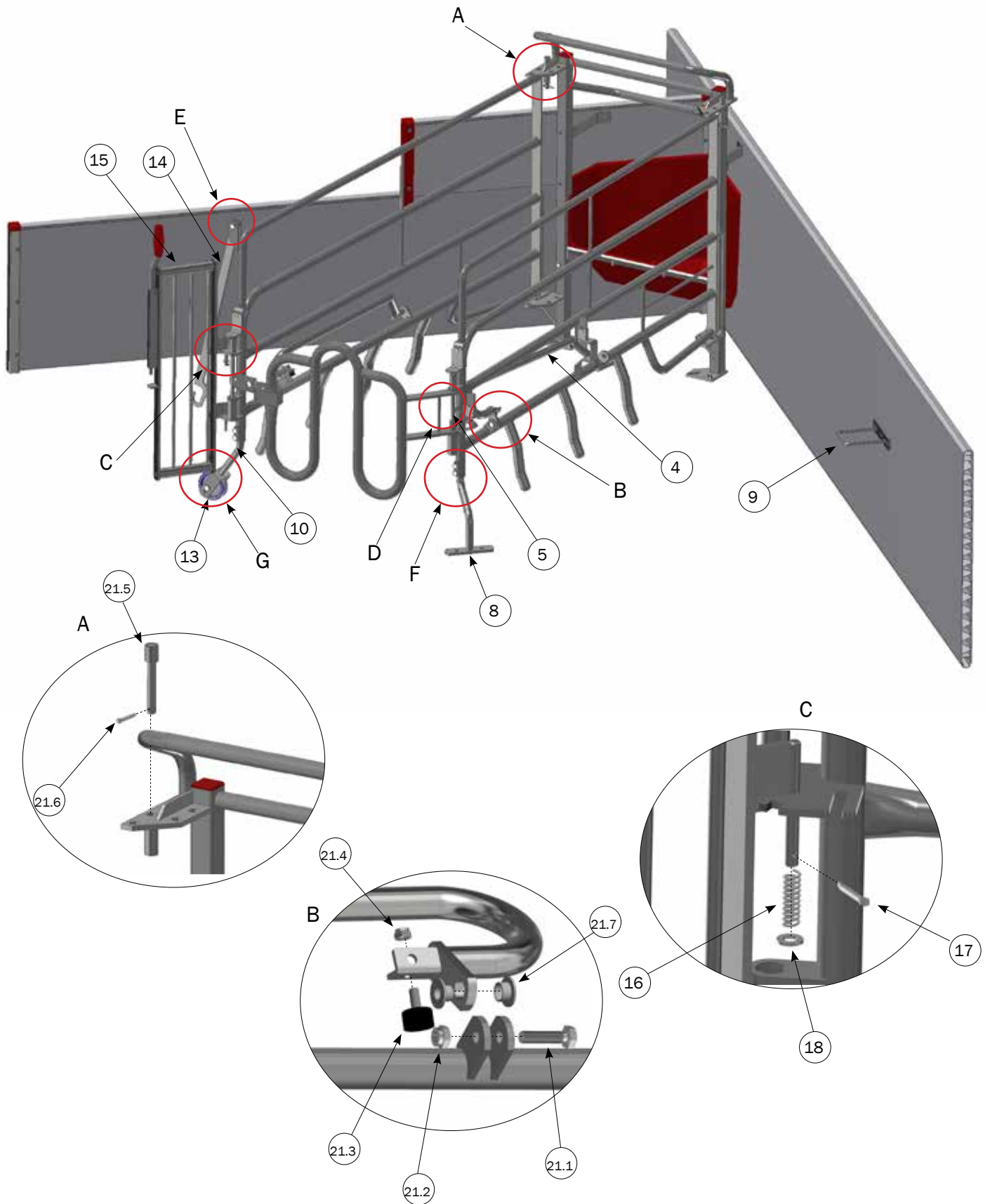


FARROWING PARTITION, RIGHT PEN

No	Part №	Description	Pcs.
	2700216	FARROWING PARTITION, RIGHT PEN, WELSAFE MOVE	
1	2710216	MOVEABLE SID FOR RIGHT PEN ASSEMBLED	1
2	2720234	VENSTRE BAGLÅGE TIL WELSAFE FARESTI, GALVANISERET	1
3	2710034	MOVEABLE SIDE, LEFT FOR RIGHT PEN	1
4	2720136	TILT FENDER FOR FARROWING PARTITION XL	2
5	42341	PEG FOR GATE, FARROWINGCRATE XL	2
6	30310040	SET SCREW M10X40 A2 DIN 933	1
7	33900029	LOCK NUT M10 A2 DIN 985	3
8	42339	SUPPORT FOR MOVEABLE SIDE	1
9	2720039	FIXATION BRACKET FOR MOVEABLE SIDE	1
10	2720176	WHEEL FORK FOR FARROWING PARTITION	1
11	32312070	MACHINE BOLT M12X70 A2 DIN 931	1
12	33912000	LOCK NUT M12 A2 DIN 985	3
13	17955	SUPPORT WHEEL INN-O-FLEX GATE	1
14	2720217	TOP LOCK	1
15	2710172	SIDE GATE, WELSAFE	1
16	9929017	SPRING PIN TY. C WIRE 1,6 12X45, STAINLESS STEEL	1
17	35900095	SPLIT PINS 4X40 MM A2 DIN 94	1
18	35600038	FLAT WASHER Ø10.5X20X2 MM A2 DIN 125A	1
19	32510060	MACHINE BOLT M10X60 A2 DIN 931	2
20	1915011	GATE STOP 40 MM EXCL. BOLTS AND SCREWS	1
21	2710220	ACCESSOIRES KIT FOR 1 WELSAFE FARROWING PEN	1
21.1	30310040	SET SCREW M10X40 A2 DIN 933	2
21.2	33900029	LOCK NUT M10 A2 DIN 985	2
21.3	58158	RUBBERSTOP M8 X 16	2
21.4	33908001	LOCK NUT M8 A2 DIN 985	2
21.5	42249	PIN FOR MOVEABLE SIDE 14 MM FARROWING XL 2009	2
21.6	35900095	SPLIT PINS 4X40 MM A2 DIN 94	2
21.7	42229	BUSHING FOR FENDER FARROWING CRATE	2
21.8	30310016	SET SCREW M10X16 A2 DIN 933	4

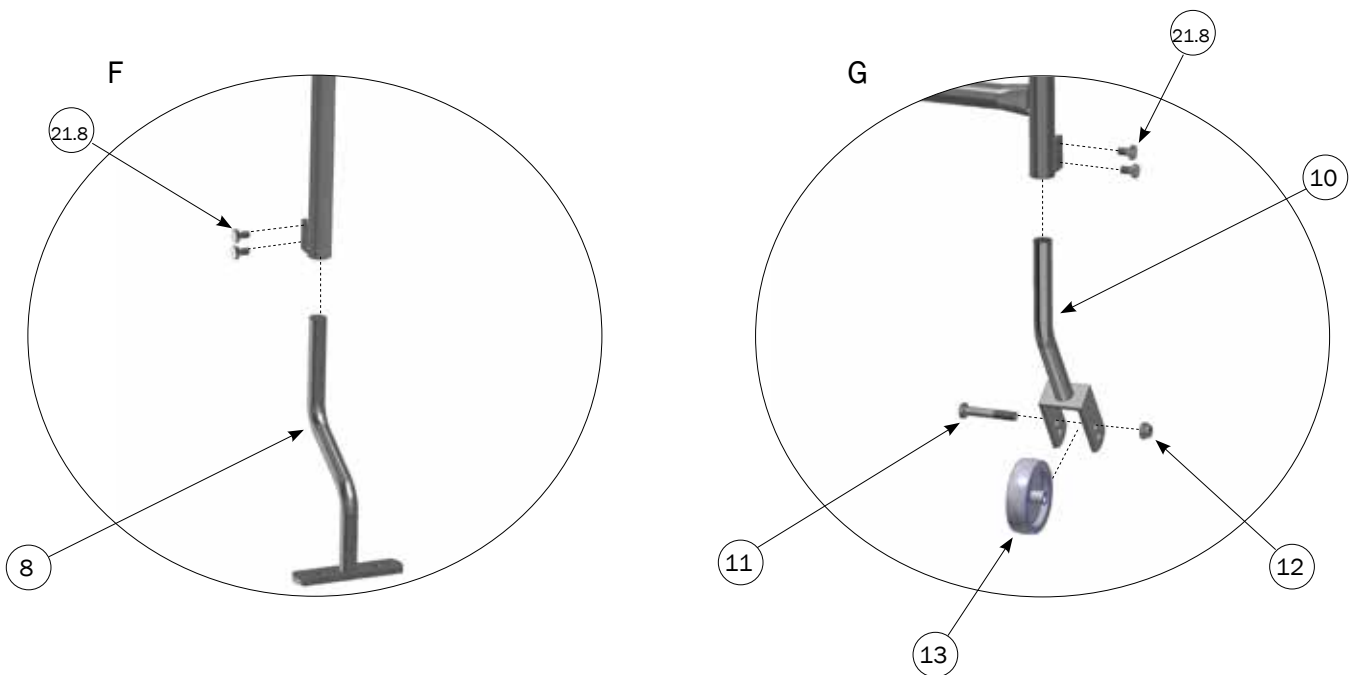
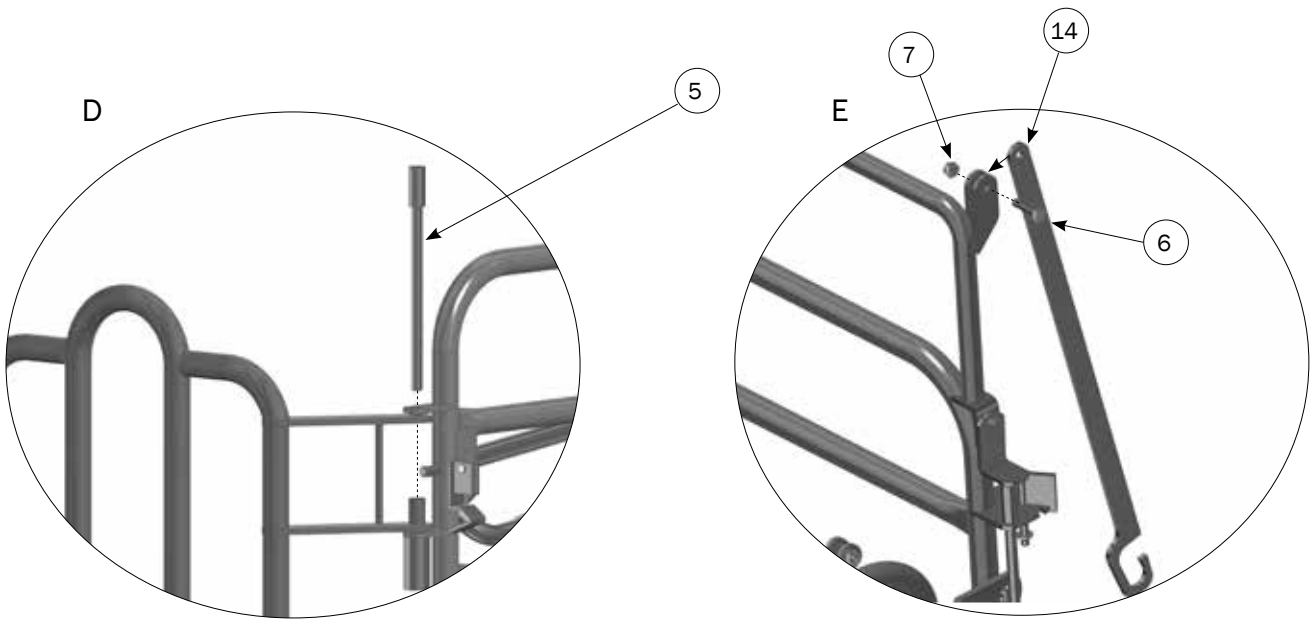


Farrowing pen against boardprofile



○ For parts list look at page 6

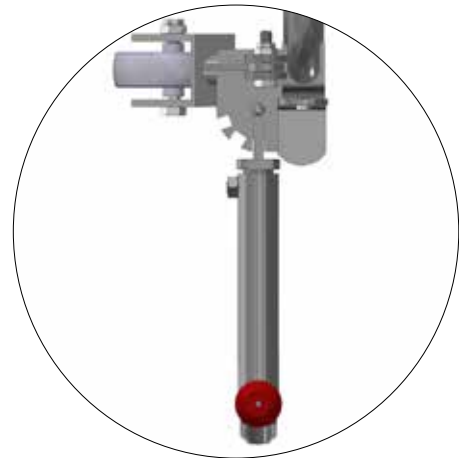
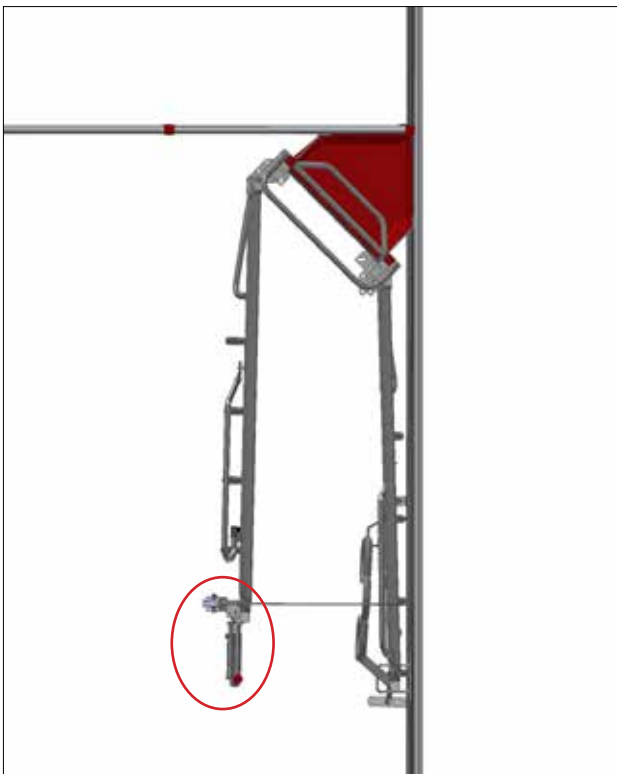
Mounting of rear door, top lock, support legs and wheel fork



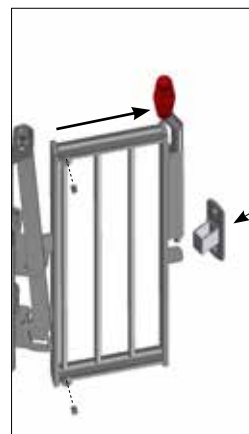
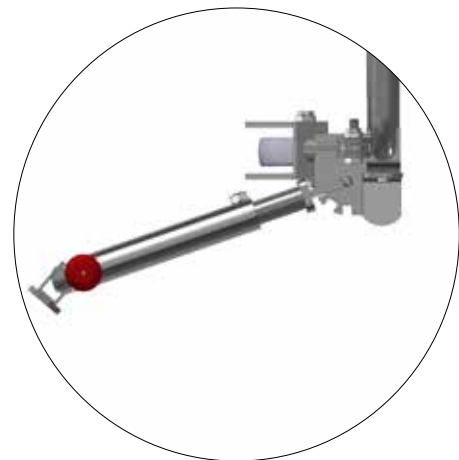
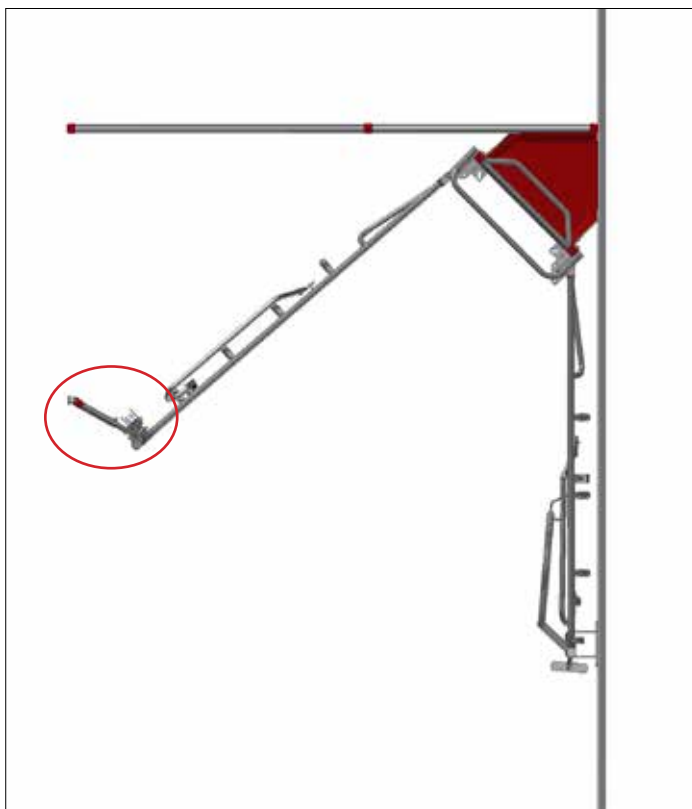
○ For parts list look at page 6

Fixed and fri position

Fixed position



Fri position



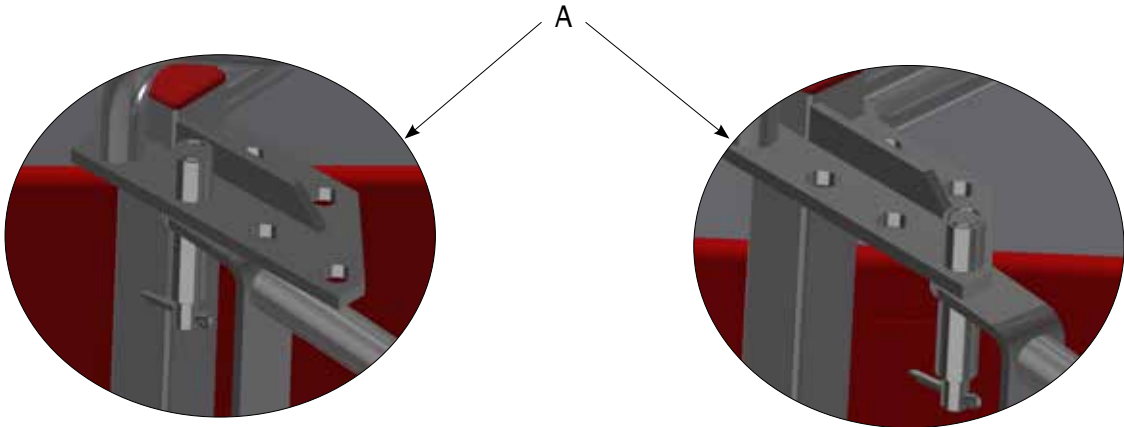
20



○ For parts list look at page 6

Length adjustment

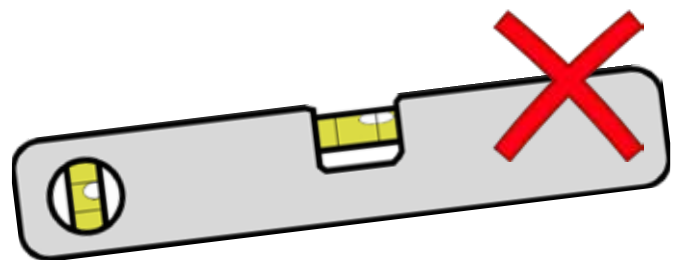
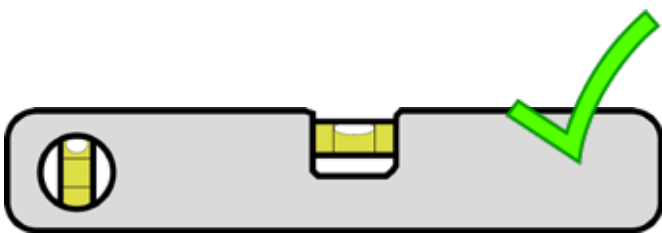
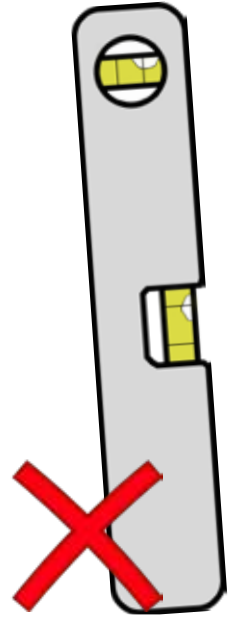
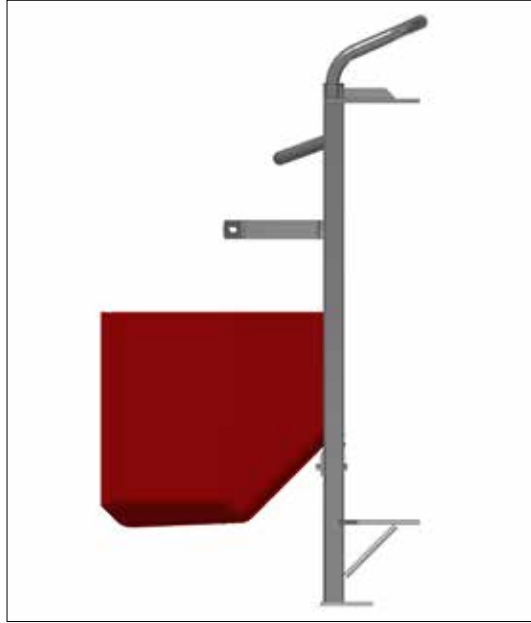
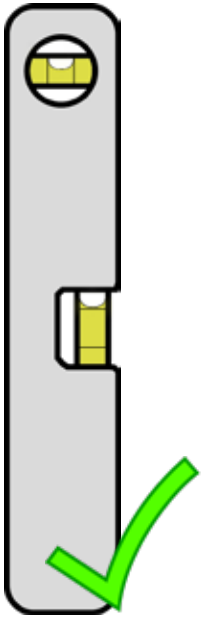
Possibility to adjust the length of the farrowing pen



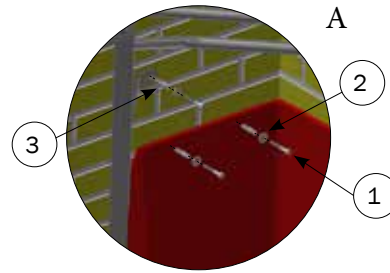
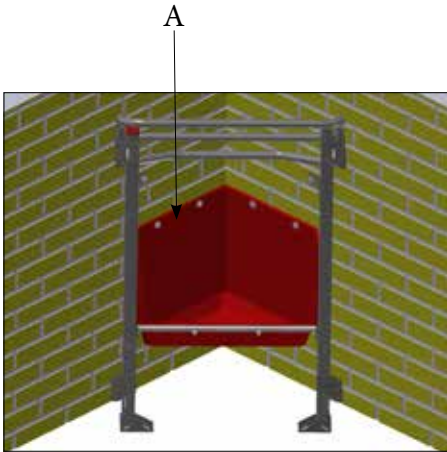
On the position 240 cm

On the position 260 cm

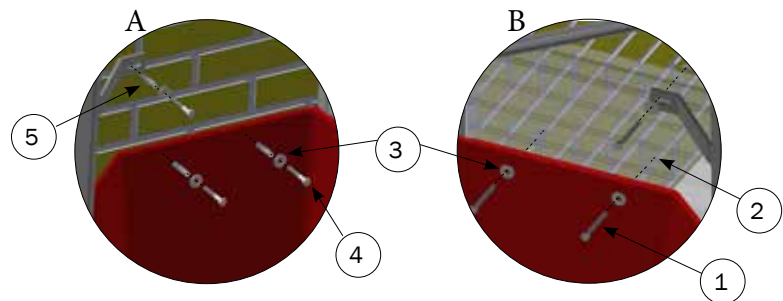
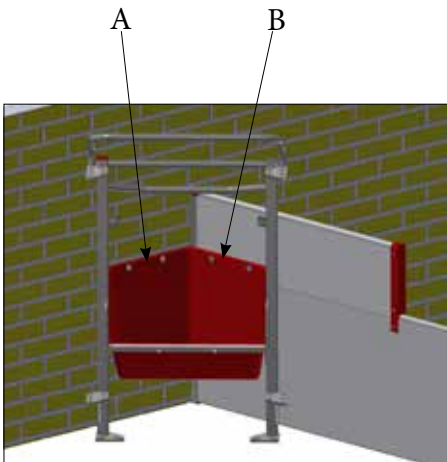
Mounting farrowing rail with trough



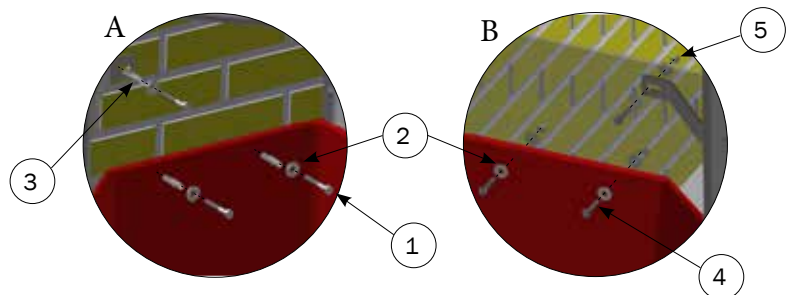
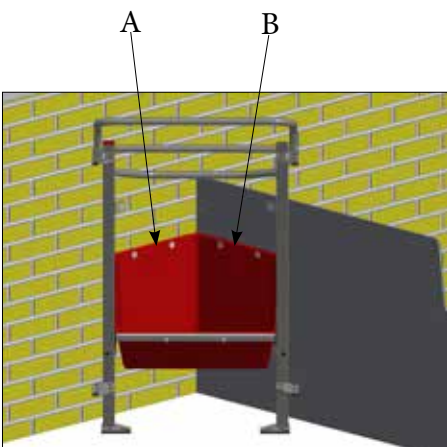
Mounting 1 farrowing rail with trough



No	Part №	Description	Pcs.
	2700048	MOUNTING KIT 1 RAIL W/PLASTIC/STAINLESS STEEL TROUGH IN CONCRETE/CONCRETE	
1	34908061	COACH SCREW M8X60 A2 DIN 571	6
2	35600058	WASHER Ø8.4X24X2 MM A2 DIN 9021	6
3	39900120	WALL PLUG 10X50MM	6

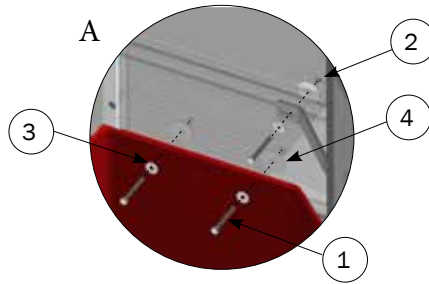
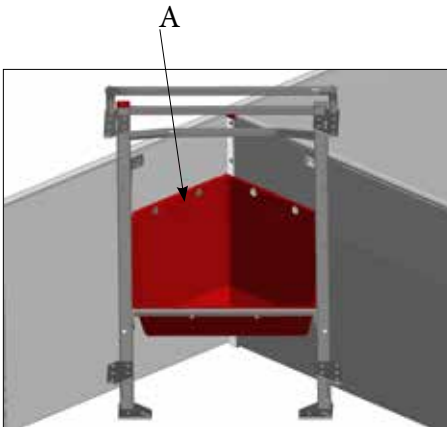


No	Part №	Description	Pcs.
	2700049	MOUNTING KIT 1 RAIL W/PLASTIC/STAINLESS STEEL TROUGH IN CONCRETE/BOARDPROFILE	
1	30308070	SET SCREW M8X70 A2 DIN 933	3
2	33508013	NUT M8 A2 DIN 934	3
3	35600058	WASHER Ø8.4X24X2 MM A2 DIN 9021	9
4	34908061	COACH SCREW M8X60 A2 DIN 571	3
5	39900120	WALL PLUG 10X50MM	3

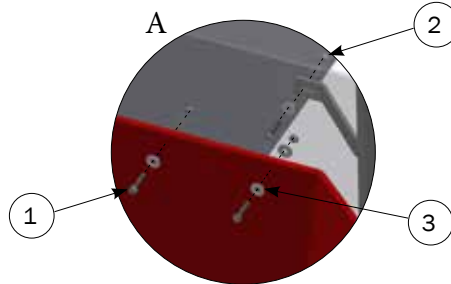
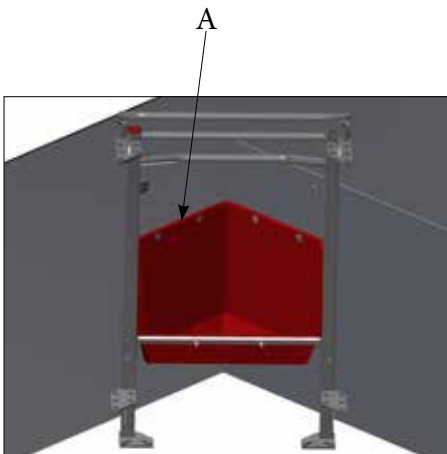


No	Part №	Description	Pcs.
	2700149	MOUNTING KIT 1 RAIL W/PLASTIC/STAINLESS STEEL TROUGH IN CONCRETE/PLATE	
1	34908061	COACH SCREW M8X60 A2 DIN 571	3
2	35600058	WASHER Ø8.4X24X2 MM A2 DIN 9021	9
3	39900120	WALL PLUG 10X50MM	3
4	30308040	SET SCREW M8X40 A2 DIN 933	3
5	33508013	NUT M8 A2 DIN 934	3

Mounting 1 farrowing rail with trough

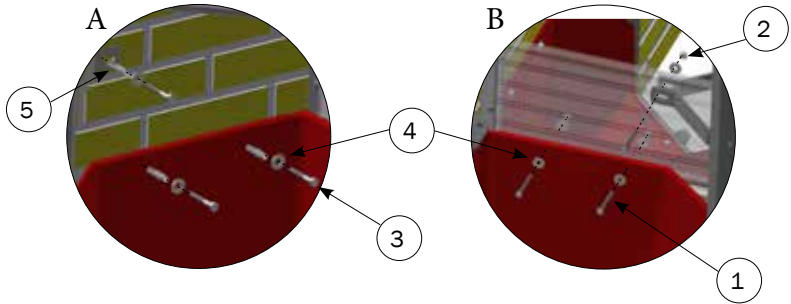
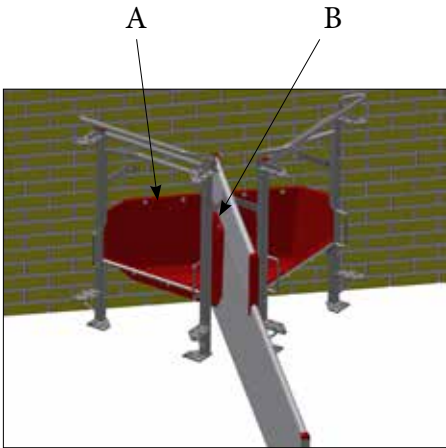


No	Part №	Description	Pcs.
	2700050	MOUNTING KIT 1 RAIL W/PLASTIC/STAINLESS STEEL TROUGH IN BOARDPROFILE/BOARDPROFILE	
1	30308070	SET SCREW M8X70 A2 DIN 933	6
2	33508013	NUT M8 A2 DIN 934	6
3	35600058	WASHER Ø8.4X24X2 MM A2 DIN 9021	6
4	20037	MASTER CLAMP WASHER Ø10.5X45X1.5 MM A2	6

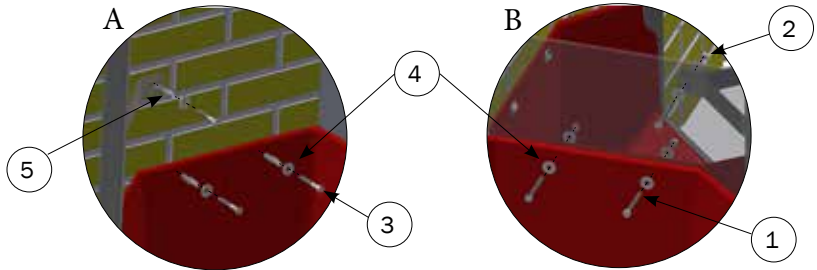
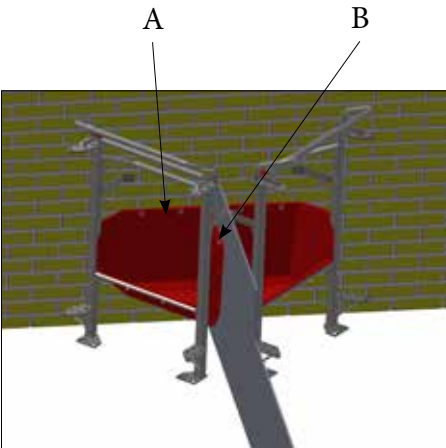


No	Part №	Description	Pcs.
	2700150	MOUNTING KIT 1 RAIL W/PLASTIC/STAINLESS STEEL TROUGH IN PLATE/PLATE	
1	30308040	SET SCREW M8X40 A2 DIN 933	6
2	33508013	NUT M8 A2 DIN 934	6
3	35600058	WASHER Ø8.4X24X2 MM A2 DIN 9021	12

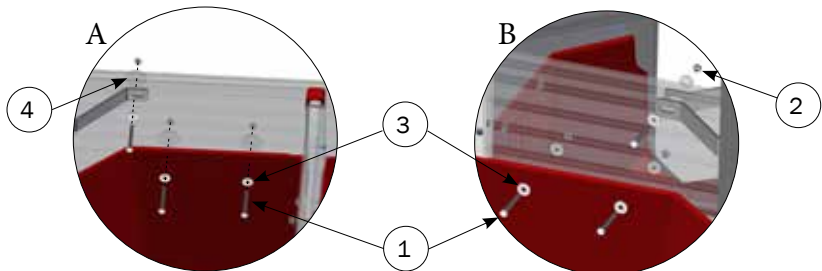
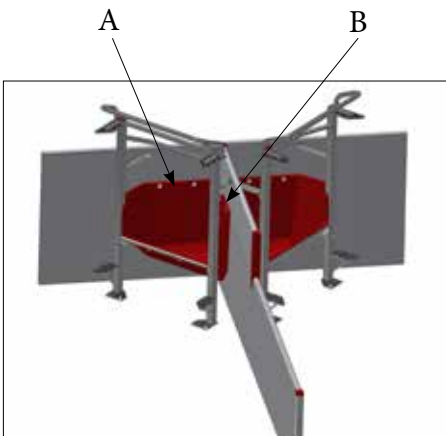
Mounting 2 farrowing rail with trough



No	Part №	Description	Pcs.
	2700045	MOUNTING KIT 2 RAIL W/PLASTIC/STAINLESS STEEL TROUGH IN CONCRETE/BOARDPROFILE	
1	30308070	SET SCREW M8X70 A2 DIN 933	3
2	33508013	NUT M8 A2 DIN 934	3
3	34908061	COACH SCREW M8X60 A2 DIN 571	6
4	35600058	WASHER Ø8.4X24X2 MM A2 DIN 9021	12
5	39900120	WALL PLUG 10X50MM	6

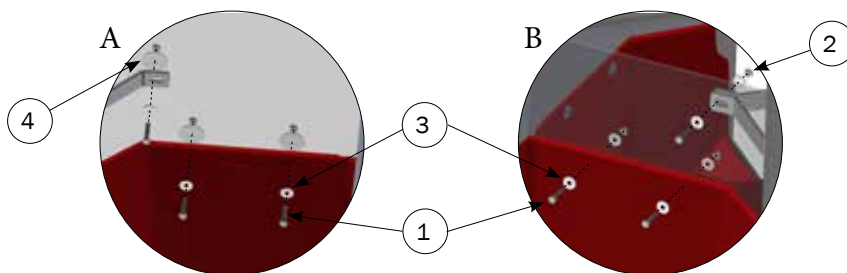
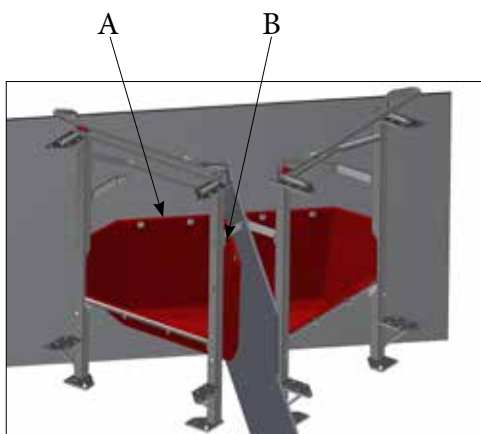


No	Part №	Description	Pcs.
	2700145	MOUNTING KIT 2 RAIL W/PLASTIC/STAINLESS STEEL TROUGH IN CONCRETE/PLATE	
1	30308040	SET SCREW M8X40 A2 DIN 933	3
2	33508013	NUT M8 A2 DIN 934	3
3	34908061	COACH SCREW M8X60 A2 DIN 571	6
4	35600058	WASHER Ø8.4X24X2 MM A2 DIN 9021	12
5	39900120	WALL PLUG 10X50MM	6



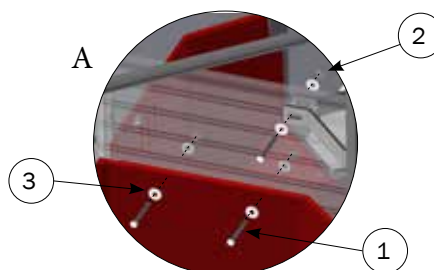
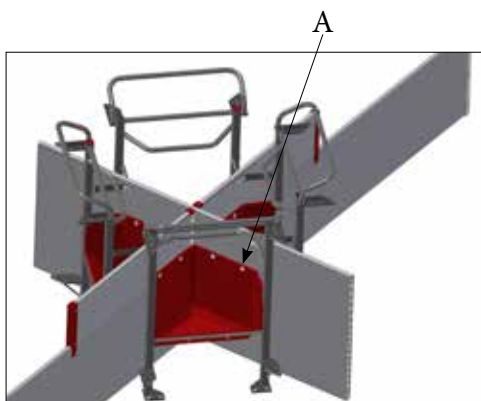
No	Part №	Description	Pcs.
	2700046	MOUNTING KIT 2 RAIL W/PLASTIC/STAINLESS STEEL TROUGH IN BOARDPROFILE/BOARDPROFILE	
1	30308070	SET SCREW M8X70 A2 DIN 933	9
2	33508013	NUT M8 A2 DIN 934	9
3	35600058	WASHER Ø8.4X24X2 MM A2 DIN 9021	12
4	20037	MASTER CLAMP WASHER Ø10.5X45X1.5 MM A2	6

Mounting 2 og 4 farrowing rail with trough

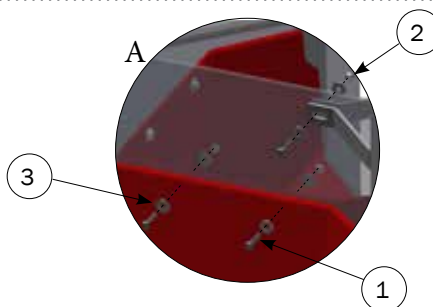
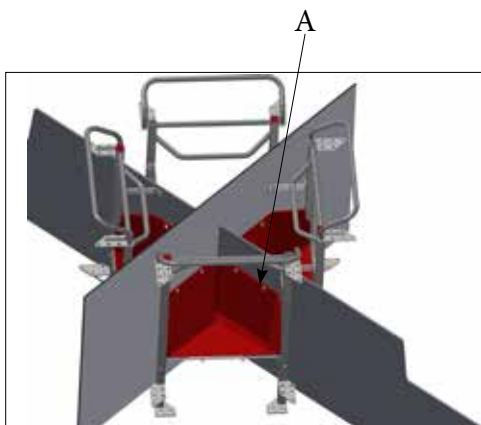


No	Part №	Description	Pcs.
	2700146	MOUNTING KIT 2 RAIL W/PLASTIC/STAINLESS STEEL TROUGH IN PLATE/PLATE	
1	30308040	SET SCREW M8X40 A2 DIN 933	9
2	33508013	NUT M8 A2 DIN 934	9
3	35600058	WASHER Ø8.4X24X2 MM A2 DIN 9021	12
4	20037	MASTER CLAMP WASHER Ø10.5X45X1.5 MM A2	6

Mounting 4 farrowing rail with trough

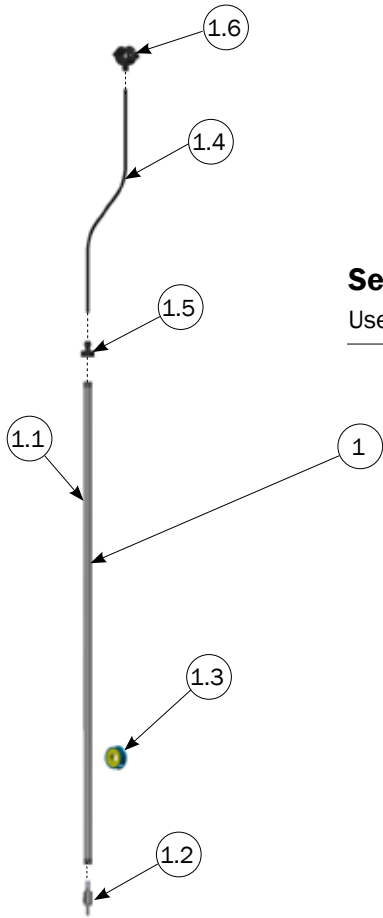


No	Part №	Description	Pcs.
	2700047	MOUNTING KIT 4 RAIL W/PLASTIC/STAINLESS STEEL TROUGH IN BOARDPROFILE/BOARDPROFILE	
1	30308070	SET SCREW M8X70 A2 DIN 933	12
2	33508013	NUT M8 A2 DIN 934	12
3	35600058	WASHER Ø8.4X24X2 MM A2 DIN 9021	24



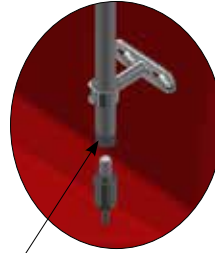
No	Part №	Description	Pcs.
	2700147	MOUNTING KIT 4 RAIL W/PLASTIC/STAINLESS STEEL TROUGH IN PLATE/PLATE	
1	30308040	SET SCREW M8X40 A2 DIN 933	12
2	33508013	NUT M8 A2 DIN 934	12
3	35600058	WASHER Ø8.4X24X2 MM A2 DIN 9021	24

Water for sows

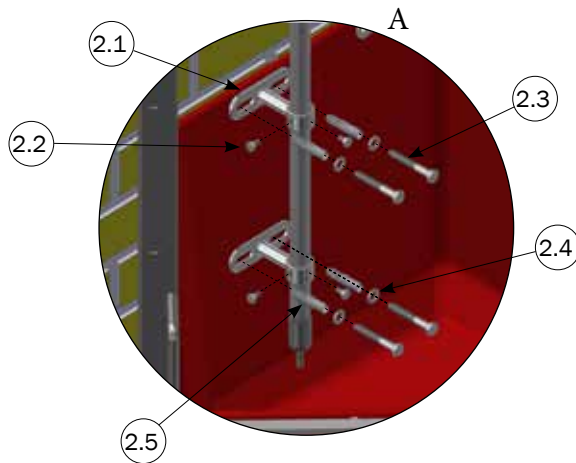
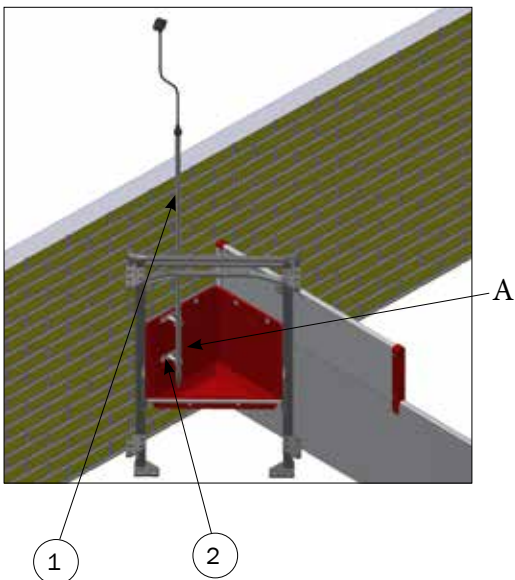


Sealings

Use thread tape or liquid sealings.

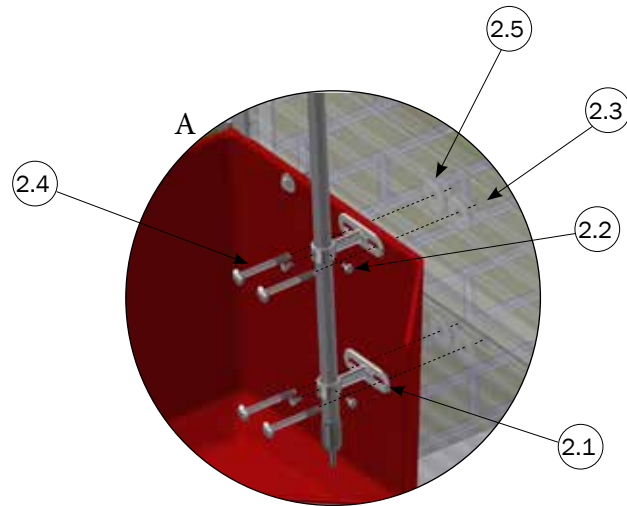
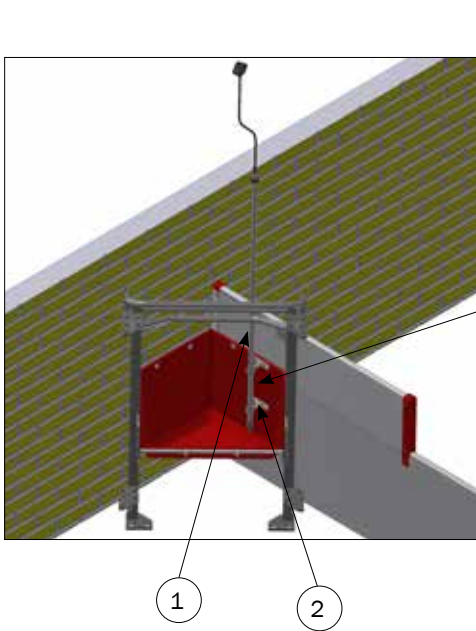


No	Part №	Description	Pcs.
	18984	LIQUID SEALING 100 ML TUBE	
1	43687	WATER PIPE SET SS SOW WELSAFEFARROWING PEN	
1.1	06902112	NIPPLE PIPE 1/2" STAINLESS STEEL 1190 MM W/ THREAD	1
1.2	12100107	DRINKING VALVE 1/2" ST TYPE 13	1
1.3	29100001	THREAD TAPE 1 ROLL = 10 M	0,2RO
1.4	61012	PE-HOSE 8X1,5 MM - PRICE PER. METER	1M
1.5	61148	SPEED UNION 8 MM MUFF/FEMALE THREAD	1
1.6	61195	DRILL CLAMP PVC 8MM-32/33,7 MM	1

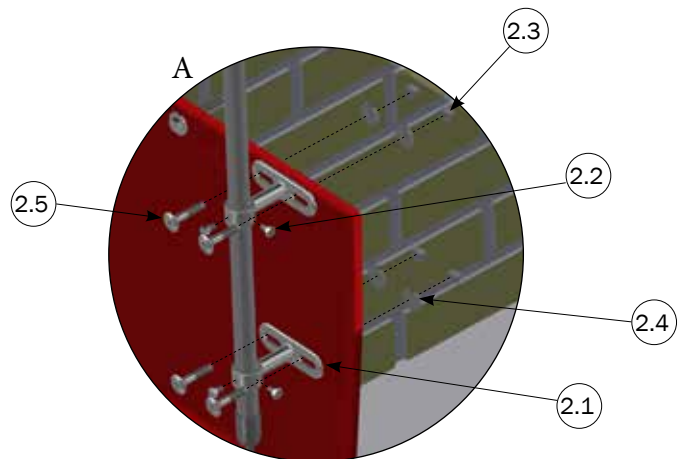
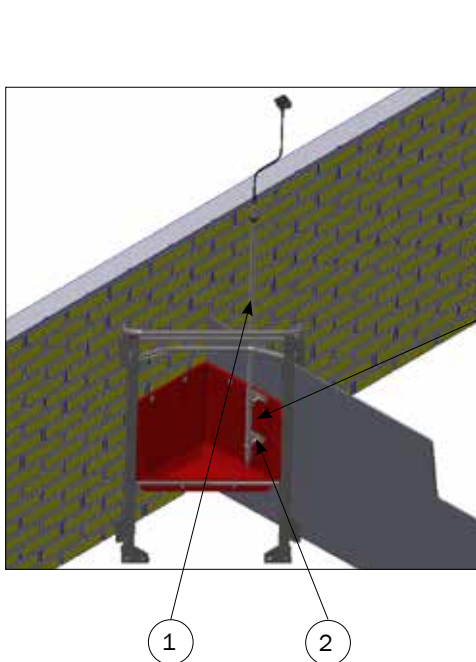


No	Part №	Description	Pcs.
1	43687	WATER PIPE SET SS SOW WELSAFEFARROWING PEN	
2	2700053	MOUNTING KIT FOR SOW WATER, SINGLE PLASTIC-TROUGH, WALL	
2.1	2950521	WATERPIPE MOUNTING 1/2" STAINLESS WITH THREAD	2
2.2	30306010	SET SCREW M6X10 A2 DIN 933	4
2.3	34908061	COACH SCREW M8X60 A2 DIN 571	4
2.4	35600037	FLAT WASHER Ø8.4X16X1.6 MM A2 DIN 125A	4
2.5	39900120	WALL PLUG 10X50MM	4

Water for sows, single trough

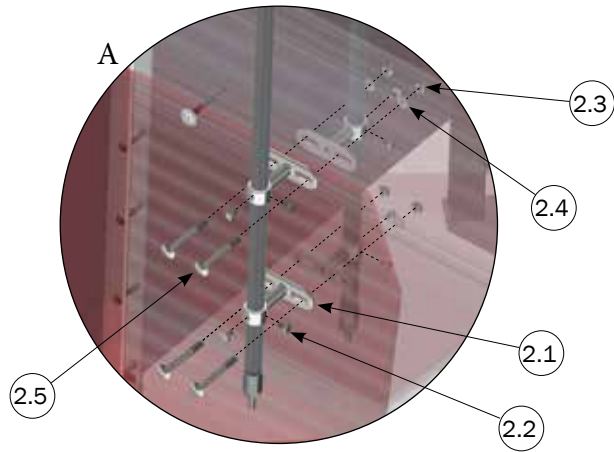
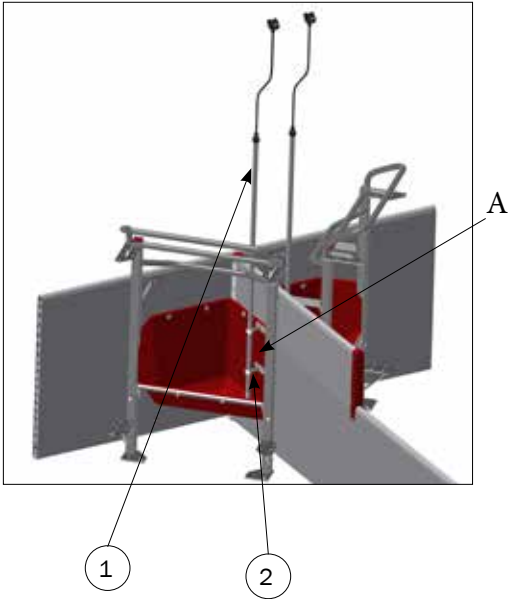


No	Part №	Description	Pcs.
1	43687	WATER PIPE SET SS SOW WELSAFEFARROWING PEN	1
2	2700051	MOUNTING KIT FOR SOW WATER, SINGLE PLASTIC-TROUGH, BOARDPROFILE	1
2.1	2950521	WATERPIPE MOUNTING 1/2" STAINLESS WITH THREAD	2
2.2	30306010	SET SCREW M6X10 A2 DIN 933	4
2.3	33908001	LOCK NUT M8 A2 DIN 985	4
2.4	36308075	MUSHROOMHEADED BOLT M8X75 A2 DIN 603	4
2.5	20037	MASTER CLAMP WASHER Ø10.5X45X1.5 MM A2	4

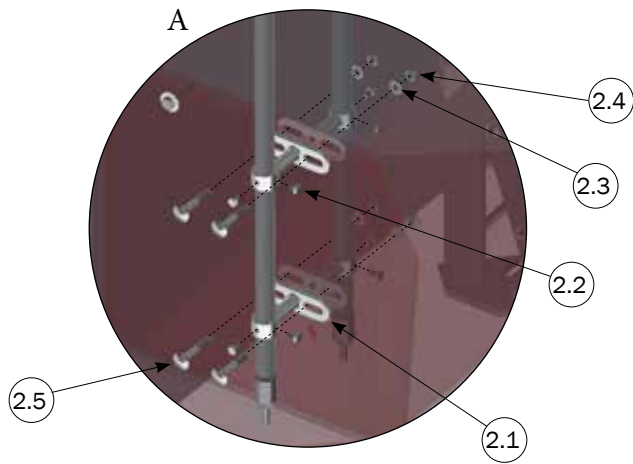
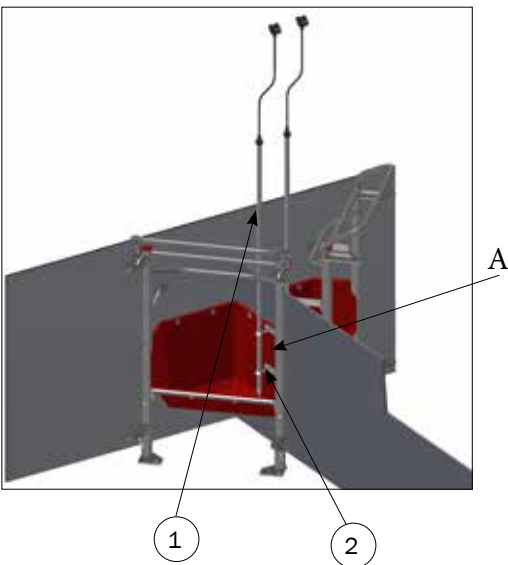


No	Part №	Description	Pcs.
1	43687	WATER PIPE SET SS SOW WELSAFEFARROWING PEN	1
2	2700351	MOUNTING KIT FOR SOW WATER, SINGLE PLASTIC-TROUGH, PLATE	1
2.1	2950521	WATERPIPE MOUNTING 1/2" STAINLESS WITH THREAD	2
2.2	30306010	SET SCREW M6X10 A2 DIN 933	4
2.3	33908001	LOCK NUT M8 A2 DIN 985	4
2.4	35600058	WASHER Ø8.4X24X2 MM A2 DIN 9021	4
2.5	36308040	MUSHROOMHEADED BOLT M8X40 A2 DIN 603	4

Water for sows, 3 trough

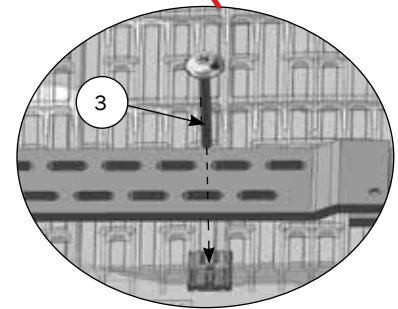
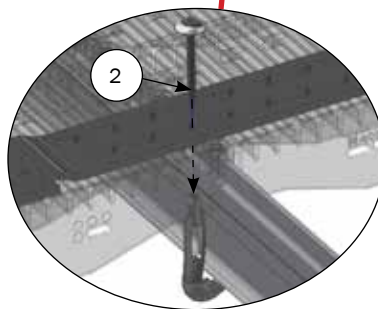
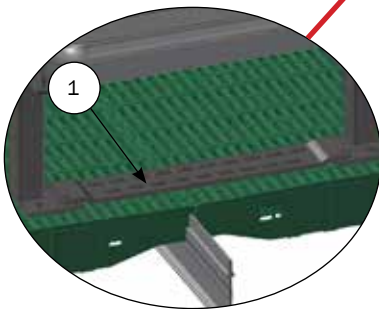
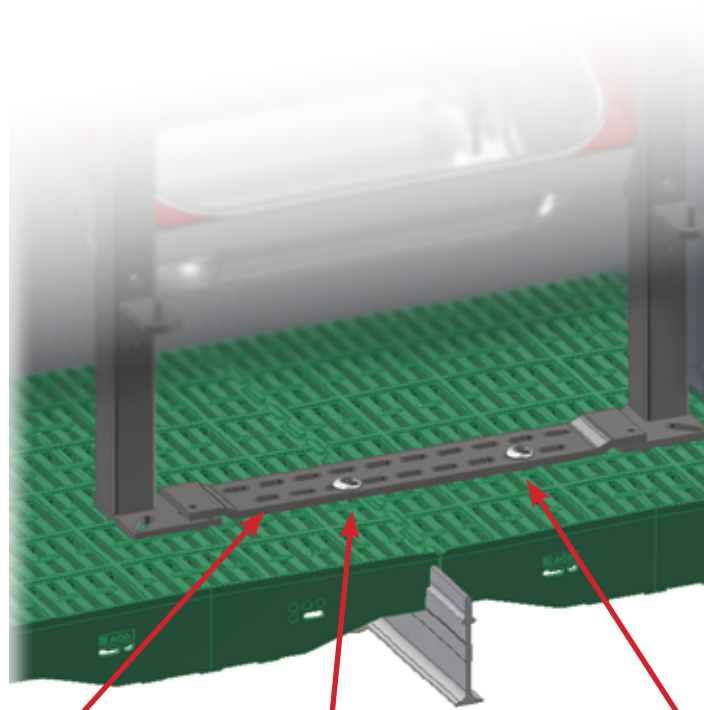


No	Part №	Description	Pcs.
1	43687	WATER PIPE SET SS SOW WELSAFEFARROWING PEN	2
2	2700052	MOUNTING KIT FOR SOW WATER, 2 PLASTICTROUGH, BOARDPROFILE	2
2.1	2950521	WATERPIPE MOUNTING ½" STAINLESS WITH THREAD	4
2.2	30306010	SET SCREW M6X10 A2 DIN 933	8
2.3	33908001	LOCK NUT M8 A2 DIN 985	4
2.4	35600037	FLAT WASHER Ø8.4X16X1.6 MM A2 DIN 125A	4
2.5	36308075	MUSHROOMHEADED BOLT M8X75 A2 DIN 603	4



No	Part №	Description	Pcs.
1	43687	WATER PIPE SET SS SOW WELSAFEFARROWING PEN	2
2	2700352	MOUNTING KIT FOR SOW WATER, 2 PLASTICTROUGH, PLATE	2
2.1	2950521	WATERPIPE MOUNTING ½" STAINLESS WITH THREAD	4
2.2	30306010	SET SCREW M6X10 A2 DIN 933	8
2.3	33908001	LOCK NUT M8 A2 DIN 985	4
2.4	35600037	FLAT WASHER Ø8.4X16X1.6 MM A2 DIN 125A	4
2.5	36308050	MUSHROOMHEADED BOLT M8X50 A2 DIN 603	4

Mounting of farrowing rail in combi floor



No	Part No	Description	Pcs.
1	42202	FOOTBRACKET FOR FARROWING RAIL	1
2	4800025	10 PIECE ANCHOR SET M8 80-115 MM	1
2	4800030	10 PIECE ANCHOR SET M8 100-130 MM	1
2	4800035	10 PIECE ANCHOR SET M8 130-160 MM	1
2	4800040	10 PIECE ANCHOR SET M8 100-130 MM	1
2	4800045	10 PIECE ANCHOR SET M8 120-150 MM	1
2	4800050	10 PIECE ANCHOR SET M8 150-180 MM	1
2	29100067	THREAD GLUE STRONG, ACO FUNKI 16,5 ML FOR 10 SCREWS	1
3	4800008	10 PCS BOLT-ON FITTINGS WITH 2 THREAD FOR CAST IRON SLATS	1
3	96967	10 PCS BOLT-ON FITTINGS SMALL FOR CAST IRON SLATS	1
3	1900241	10 PCS BOLT-ON FITTINGS LARGE FOR CAST IRON SLATS	1
3	17095	SLAT ANCHOR 8 MM GREEN (10 PCS) 40 X 30 X 15 MM	1
3	17129	SLAT ANCHOR 10 MM GREEN (10 PCS) 40 X 30 X 15 MM	1