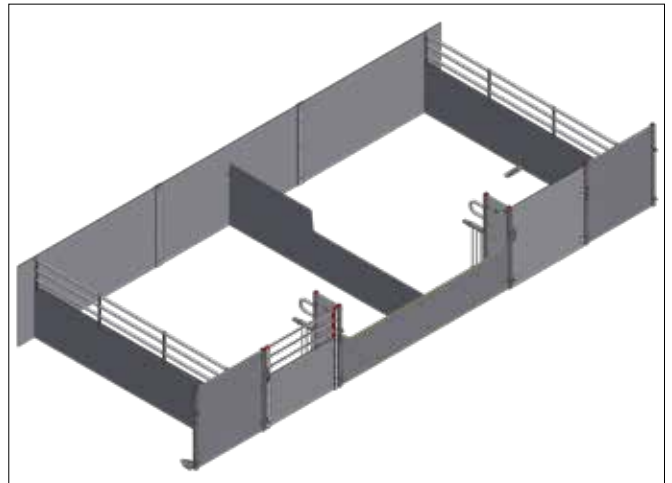
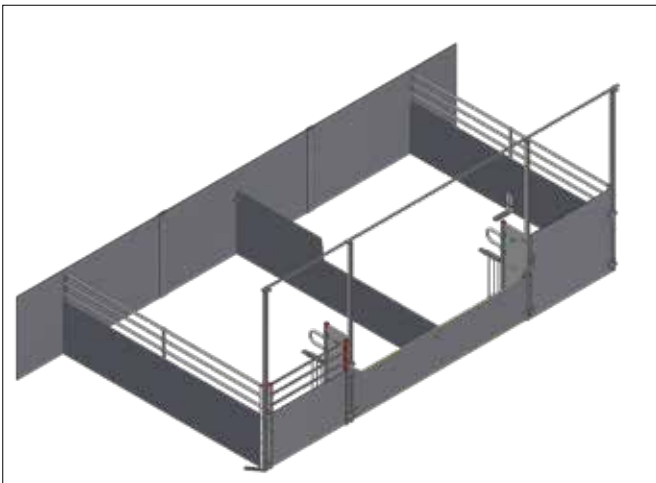
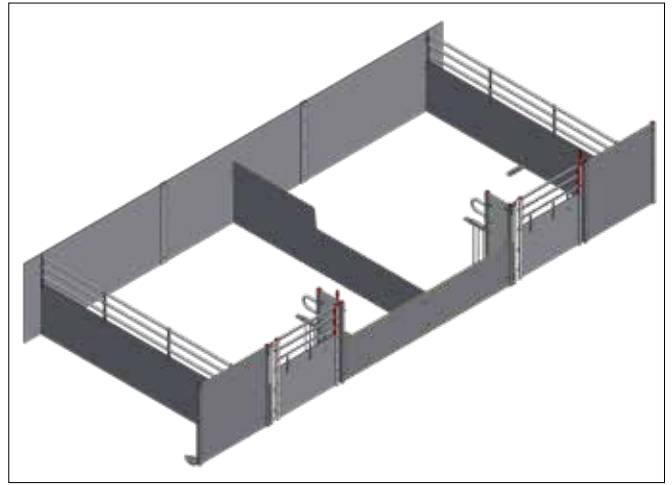
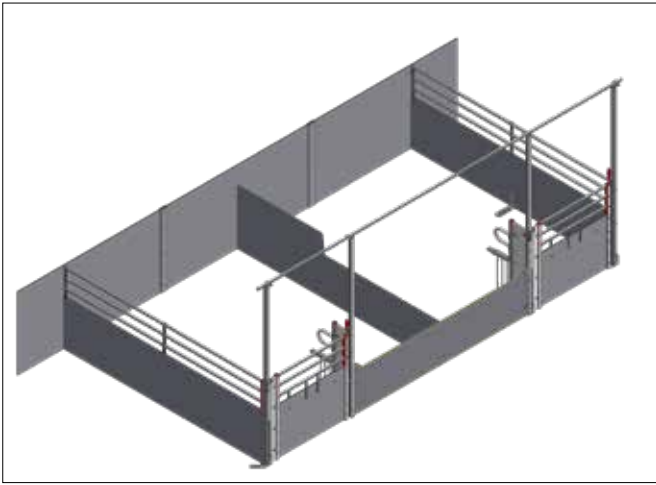


MOUNTING INSTRUCTION



WELSAFE STI

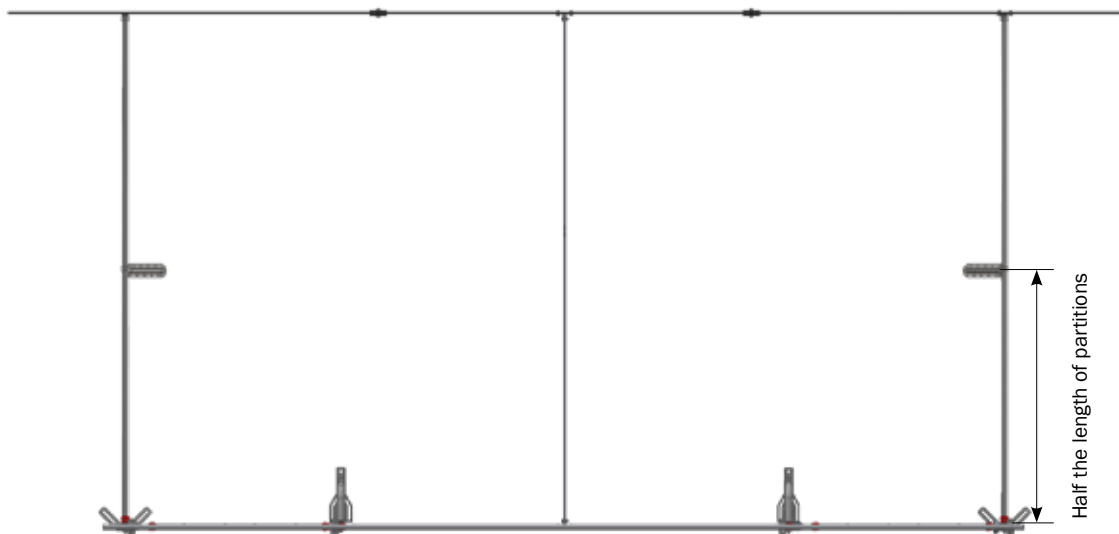
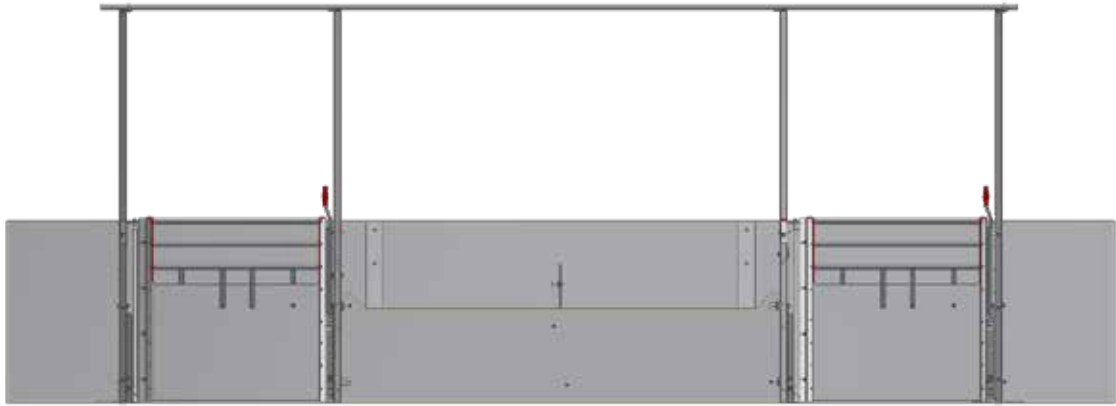
COMPACT LAMINATE PLATE



ACO FUNKI A/S
Kirkevænget 5
DK-7400 Herning

Tel. +45 9711 9600
www.acofunki.com
www.egebjerg.com

Welsafe path with high posts 240 (245)x280

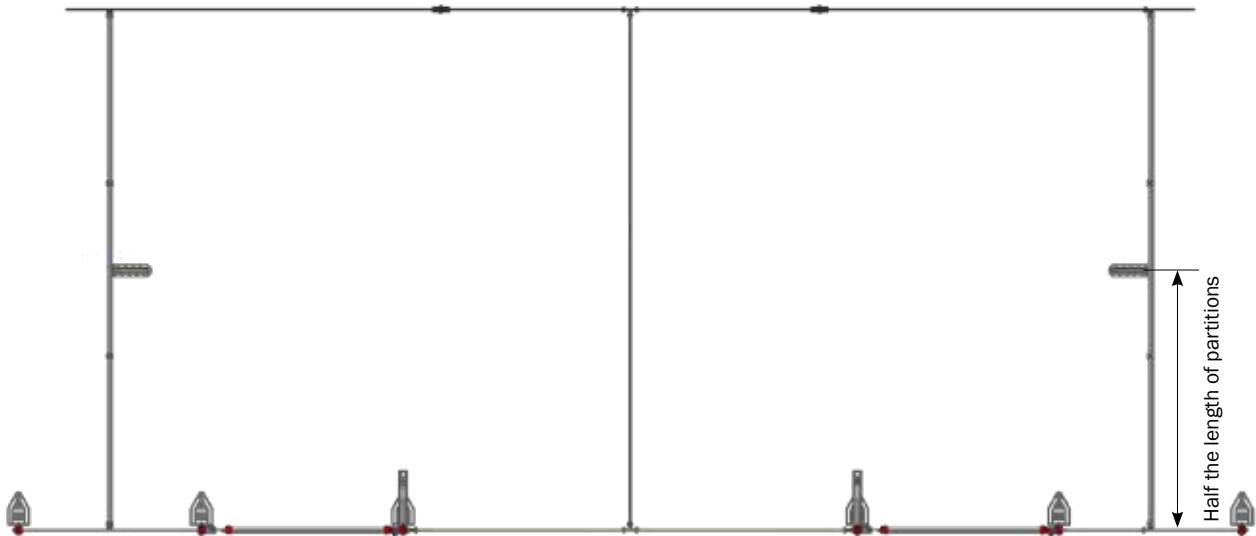
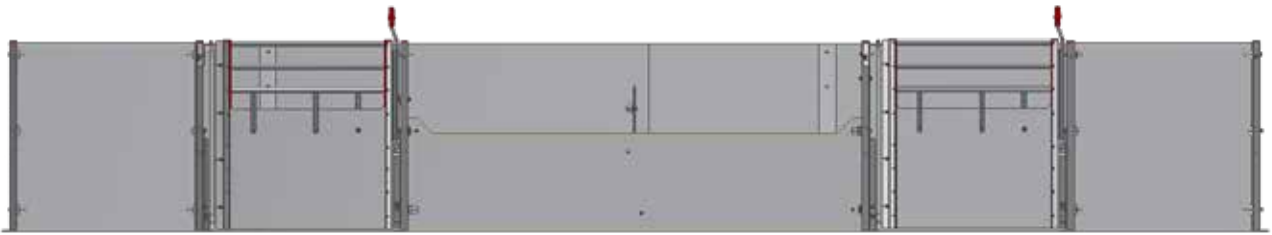


For mounting of farrowing pen, look at : **M-6244 Welsafe Crate** og **M-6245 Welsafe Move**

For mounting of water for weaners, look at : **M-6208**

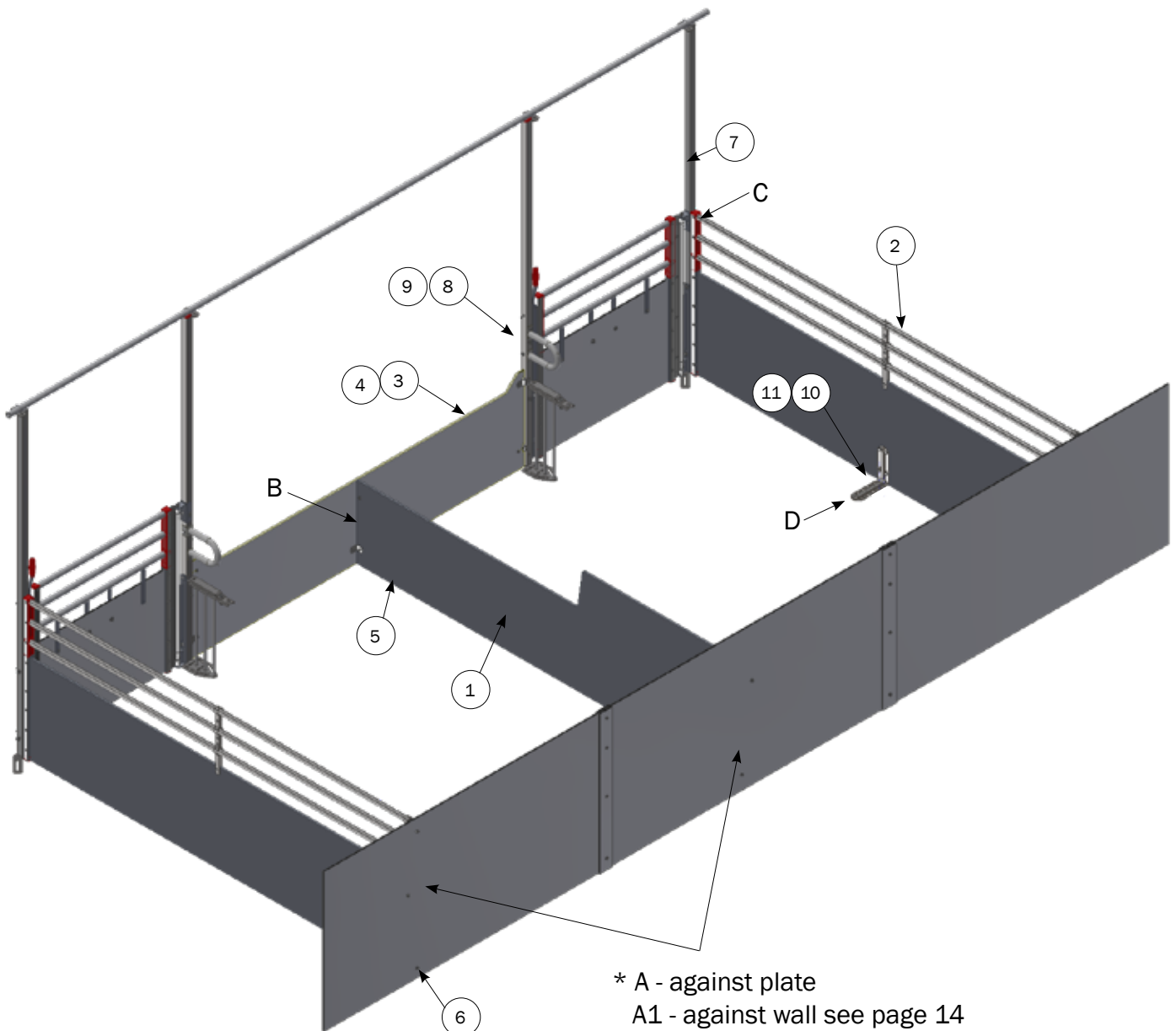
For mounting of piglet nest, look at : **M-6228**

Welsafe path with low posts 240-280x280

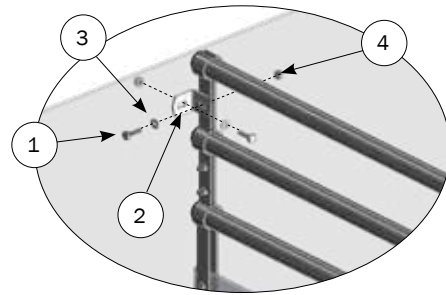
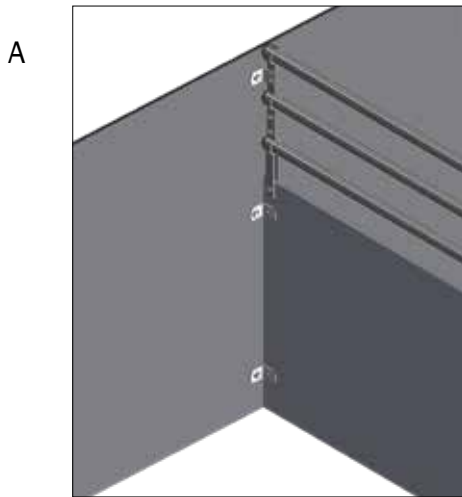


Welsafe path with high posts

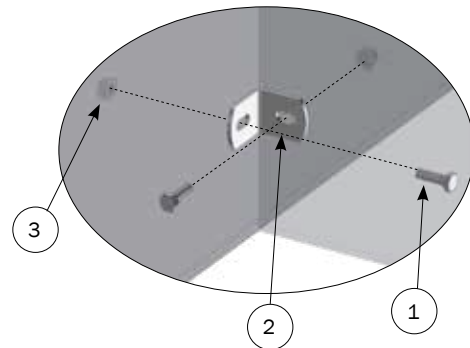
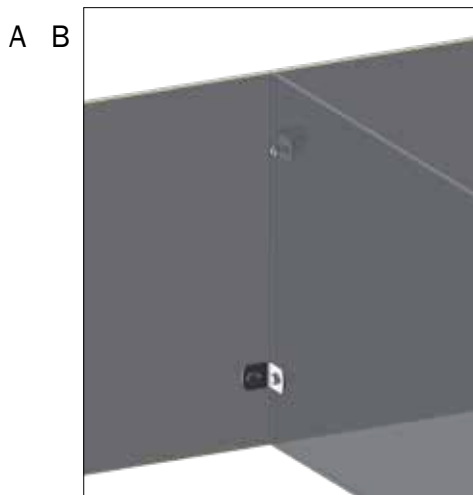
PARTS LIST		
No	Item No	Description
1	2710285	SIDE H50/H75 PLATE BETWEEN PIGLET NEST, LENGTH MIN 2360 - MAX 2800 MM
2	2710296	SIDE H100 PLATE/3 BARS AGAINSTWALL/FRONTPLATE
3	8470151	FRONT PART H50 PLATE FOR 2 PIGLET NEST, WELSAFE
4	8470152	FRONT PART H50 PLATE FOR 1 PIGLET NEST AGAINST WALL, WELSAFE
5	2700269	MOUNTING KIT FOR PARTITION BETWEEN PIGLETS NEST, 8470010
6	4500662	MOUNTING KIT FOR PARTITION AGAINST FRONT PART/WASHING WALL
7	2700055	HIGH POST FOR PARTITION, INCL. BOLTS
8	2700062	HIGH POSTS W/GRILL KIT FOR FRONTPART BY DOUBLE PIGLET NEST,INCL. BOLT
9	2700130	HIGH POSTS FOR GATE KIT FOR FRONTPART BY SINGLE PIGLET NEST, AGAINST WALL
10	4901802	SUPPORT FOUNDATION FOR SLATS FIBER
11	4901806	SUPPORT FOUNDATION FOR CONCRETE FIBER



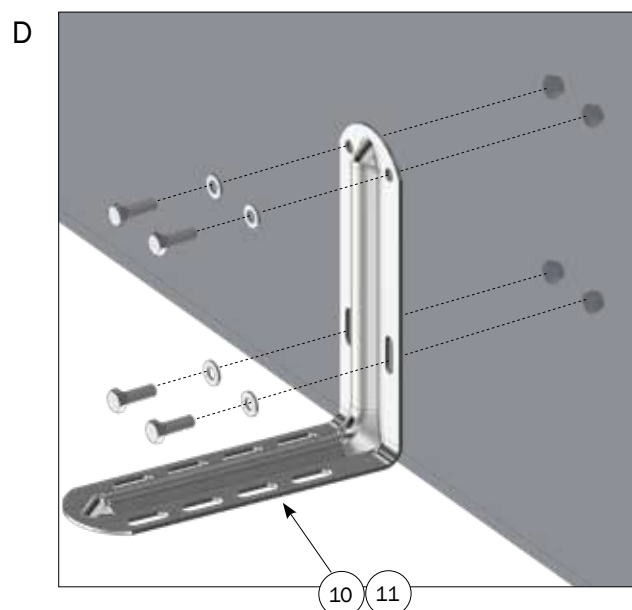
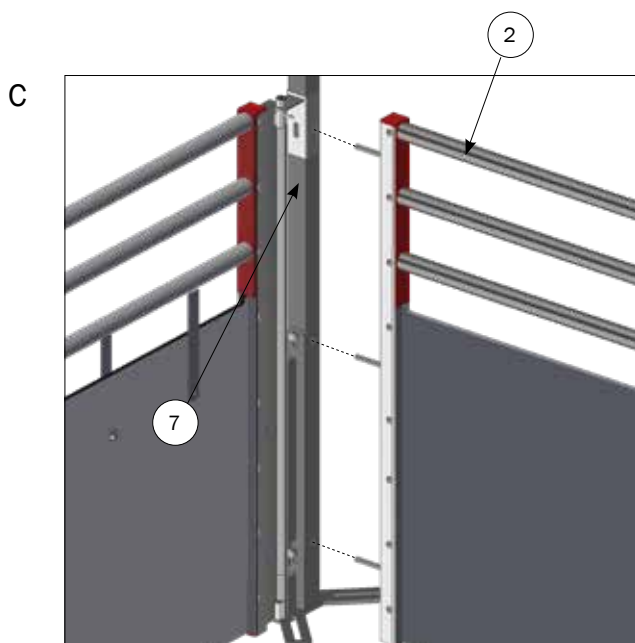
Installation of plate and separation against plate



No	Item No	Description	Pcs.
	4500662	MOUNTING KIT FOR PARTITION AGAINST FRONT PART/ WASHING WALL	
1	30308025	SET SCREW M8X25 A2 DIN 933	6
2	30900	WALL BRACKET SMALL	3
3	35600037	FLAT WASHER Ø8.4X16X1.6 MM A2 DIN 125A	6
4	68552	COLLAR HEAD NUT M8 A2 DIN 6923	6

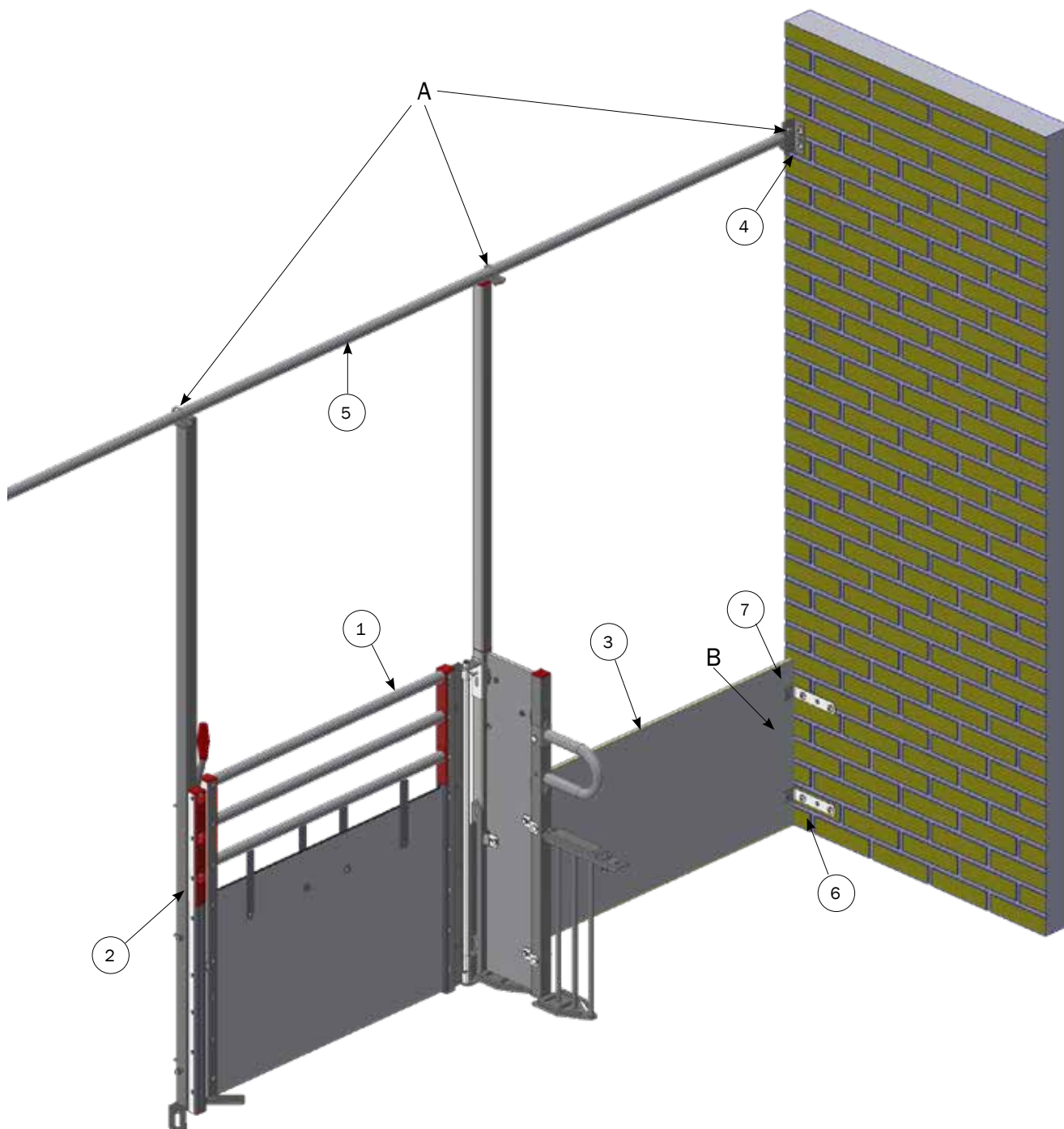


No	Item No	Description	Pcs.
	2700269	MOUNTING KIT FOR PARTITION BETWEEN PIGLETS NEST	
1	30308025	SET SCREW M8X25 A2 DIN 933	4
2	30900	WALL BRACKET SMALL	2
3	68552	COLLAR HEAD NUT M8 A2 DIN 6923	4



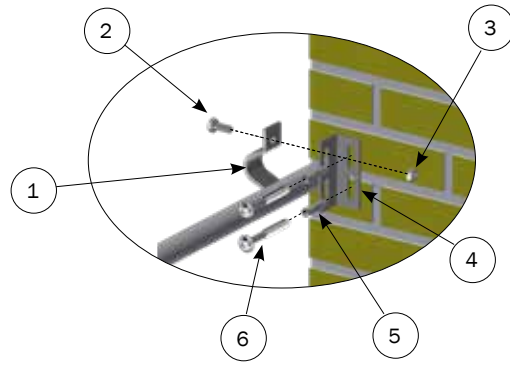
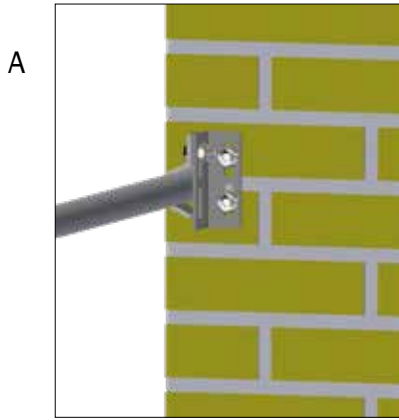
○ For parts list see page 4

Installation of stabilization pipes and plate against wall

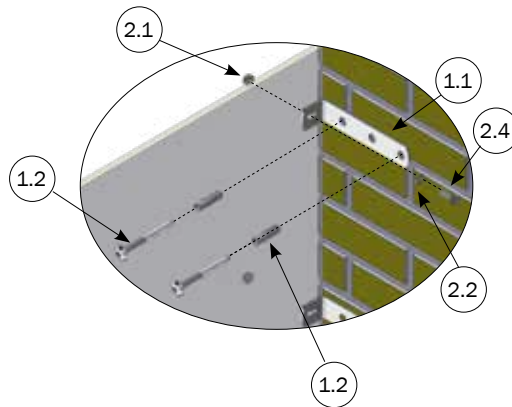
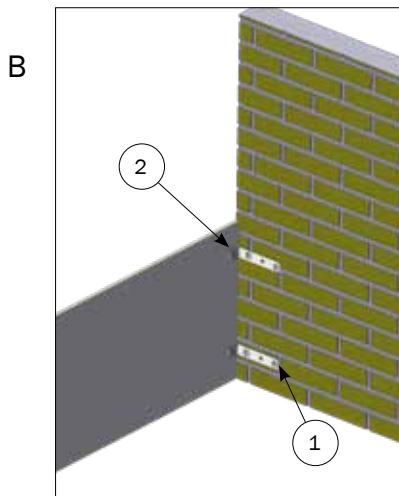


No	Item No	Description	Pcs.
1	4510405	GATE H100 PLATE/3 BARS 900-1185 MM WITH PIN LOCK	1
2	2700055	HIGH POST FOR PARTITION, INCLBOLTS	1
3	8470152	FRONT PART H50 PLATE FOR 1 PIGLET NEST AGAINST WALL, WELSAFE	1
4	3900019	FITTING FOR WATERPIPE, COMPLET	1
5	1900240	PIPE 1" GALVANIZED, 6 METER W/SPLICING SLEEVE, PRICE PER PIECE, LENGTH 6 METER	0,5m
6	38519	MOUNTING KIT FOR FRONT PART AGAINST WALL	2
7	2700318	MOUNTING KIT FOR FRONT PART PLATE, POST/WALL	1

Installation of stabilisation pipes and plate against wall



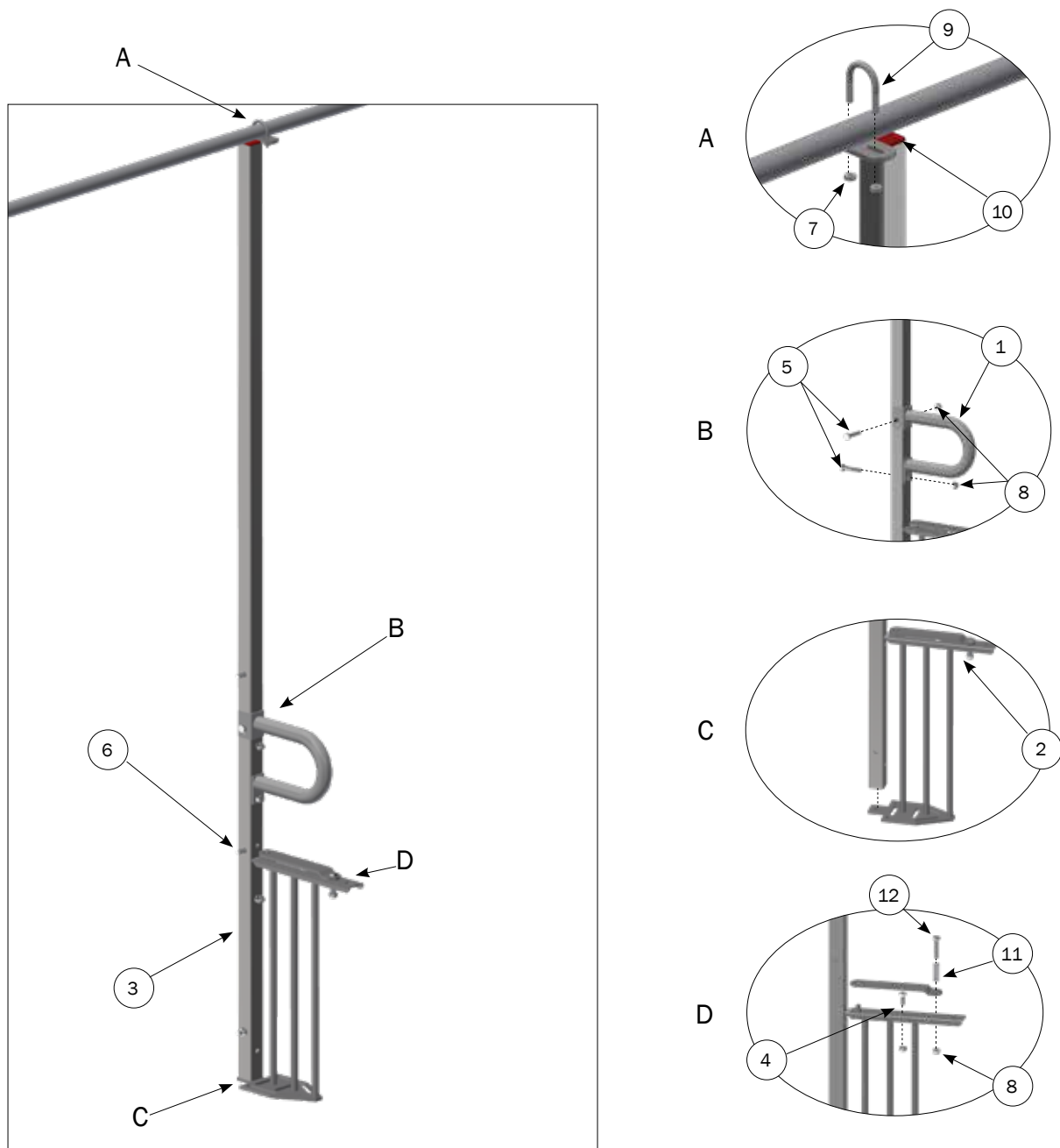
No	Item No	Description	Pcs.
	3900019	FITTING FOR WATERPIPE, COMPLET	
1	16375	PIPE RETAINER 1' WITHOUT BOLT	1
2	30310025	SET SCREW M10X25 A2 DIN 933	1
3	33510017	NUT M10 A2 DIN 934	1
4	3920096	WALL FITTING FOR WATER PIPE	1
5	39900001	WALL PLUG 12X60 MM	2
6	67444	10 X 70 BUTTON HEAD TORX 50 STAINLESS STEEL	2



No	Item No.	Description	Pcs.
1	38519	MOUNTING KIT FOR FRONT PART AGAINST WALL	
1.1	30899	BRACKET FOR WALL LONG	2
1.2	39900001	WALL PLUG 12X60 MM	4
1.3	67444	10 X 70 BUTTON HEAD TORX 50 STAINLESS STEEL	4
2	2700318	MOUNTING KIT FOR FRONT PART PLATE, POST/WALL	1
2.1	33900029	LOCK NUT M10 A2 DIN 985	4(2)*
2.2	35600037	FLAT WASHER Ø8.4X16X1.6 MM A2 DIN 125A	4(2)*
2.3	4550052	FITTINGS FOR 10 MM PLATE AGANIST POST	2
2.4	30308025	SET SCREW M8X25 A2 DIN 933	4(2)*
2.5	68552	COLLAR HEAD NUT M8 A2 DIN 6923	4

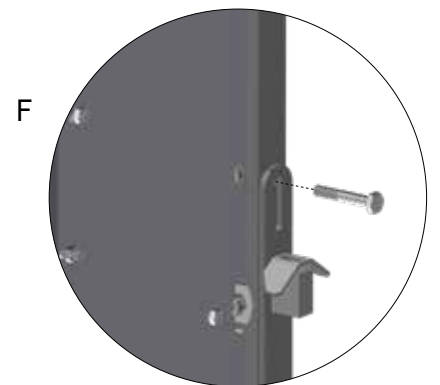
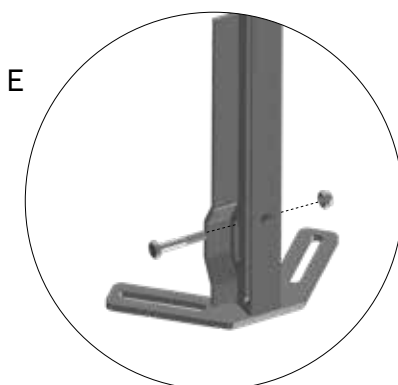
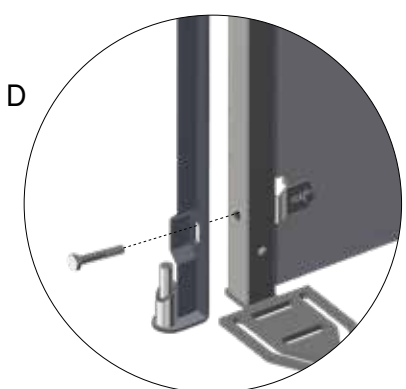
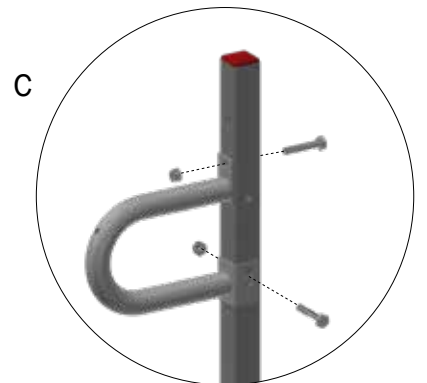
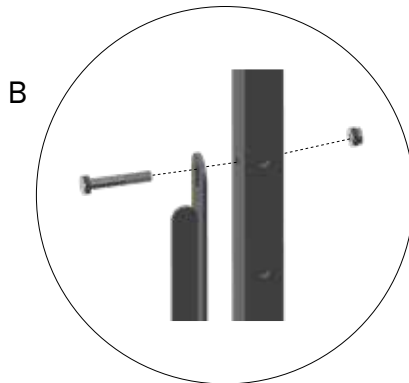
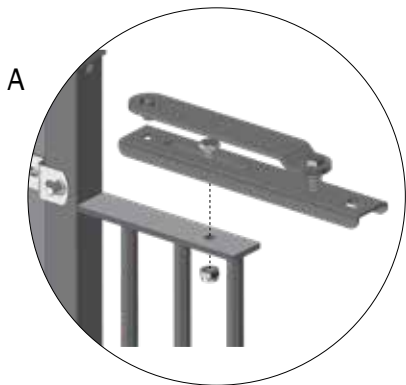
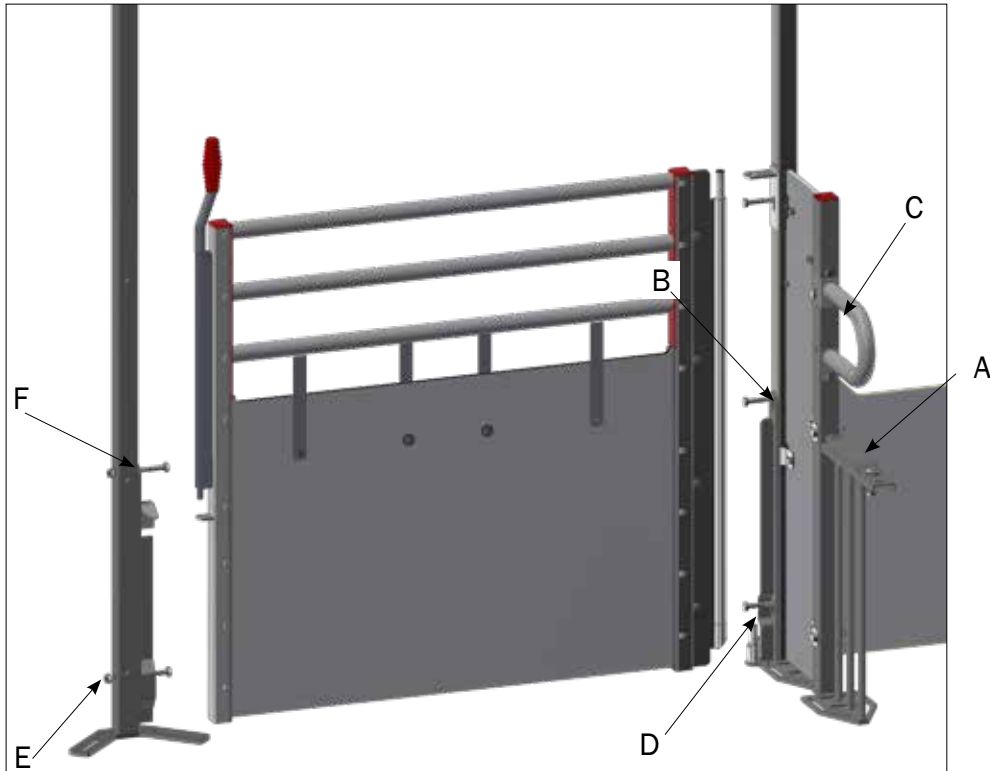
* must be used only this item and only in 2 pcs.

High posts



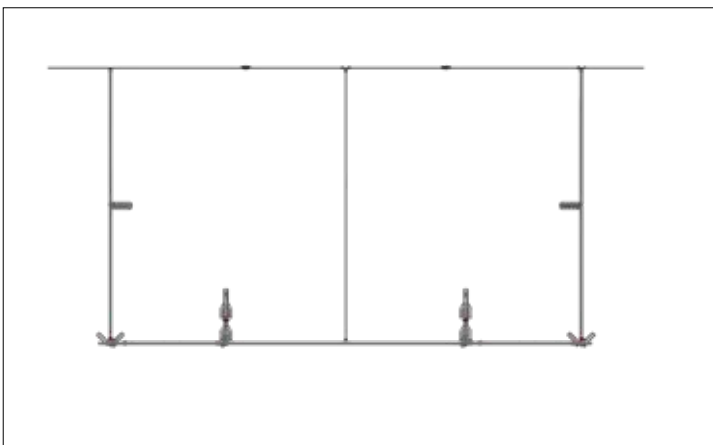
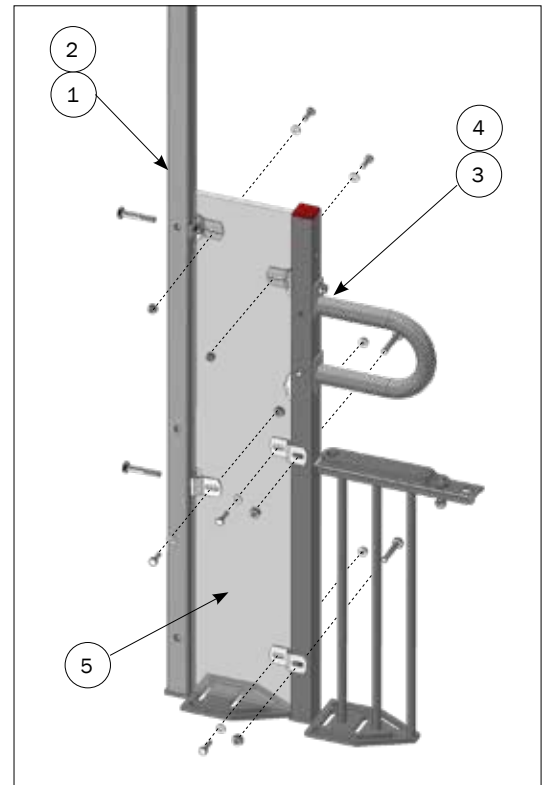
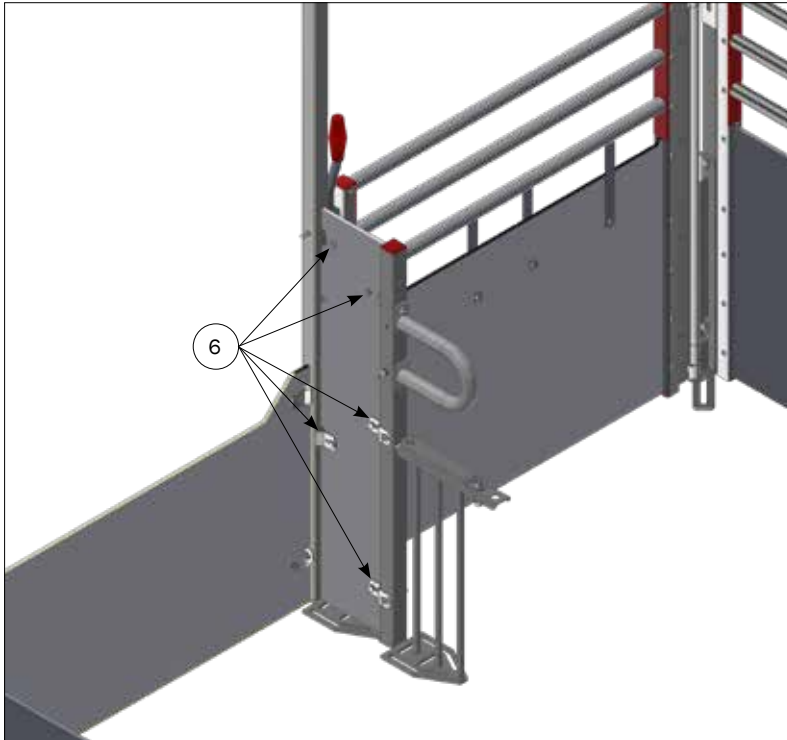
No	Item No.	Description	Pcs.
	2700095	HIGH POSTS W/GRILL KIT FOR FRONTPART BY SINGLE PIGLET NEST, INCL. BOLT	
	2700062	HIGH POSTS W/GRILL KIT FOR FRONTPART BY DOUBLE PIGLET NEST, INCL. BOLT	
1	1620301	GATE STOP	1
2	2710028	UPPER FIXATION BRACKET FOR PIVOTAL SIDE	1
3	2720054	HIGH POST WITH GRILLE	1
4	30310025	SET SCREW M10X25 A2 DIN 933	1
5	32510055	MACHINE BOLT M10X55 A2 DIN 931	2
6	32510060	MACHINE BOLT M10X60 A2 DIN 931	2
7	33208014	NUT M8 HDG DIN 934	2
8	33900029	LOCK NUT M10 A2 DIN 985	3
9	90100049	U-BOLT 1" 8X50 MM GALVANIZED	1
10	9960016	CAP 40X30 BLACK	1
11	58535	SPRING 1.5 X 15 X 45.5 MM	1
12	30310050	SET SCREW M10X50 A2 DIN 933	1

Installation of high posts



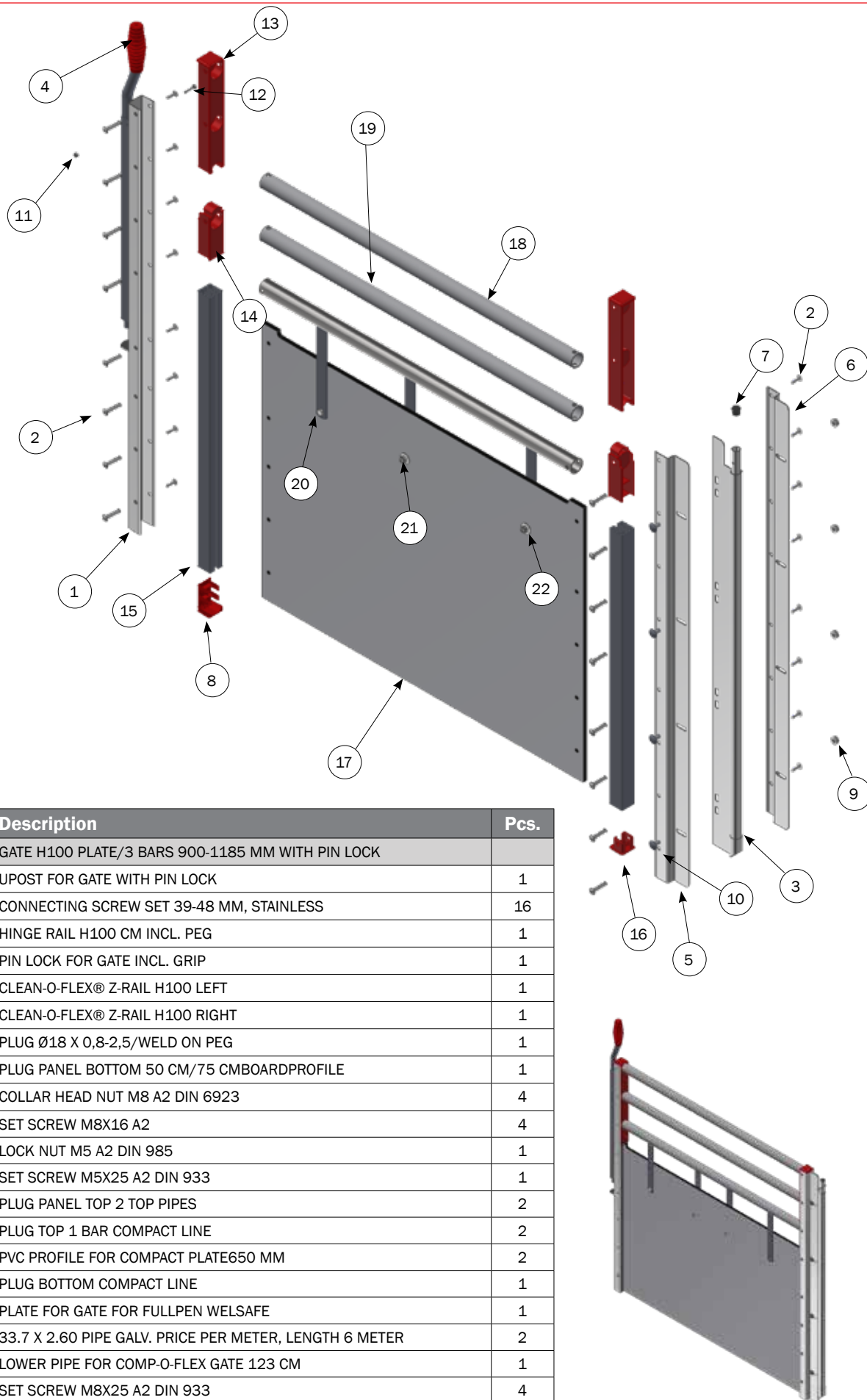
Extra furniture

In size over 264, extra furniture must be used.



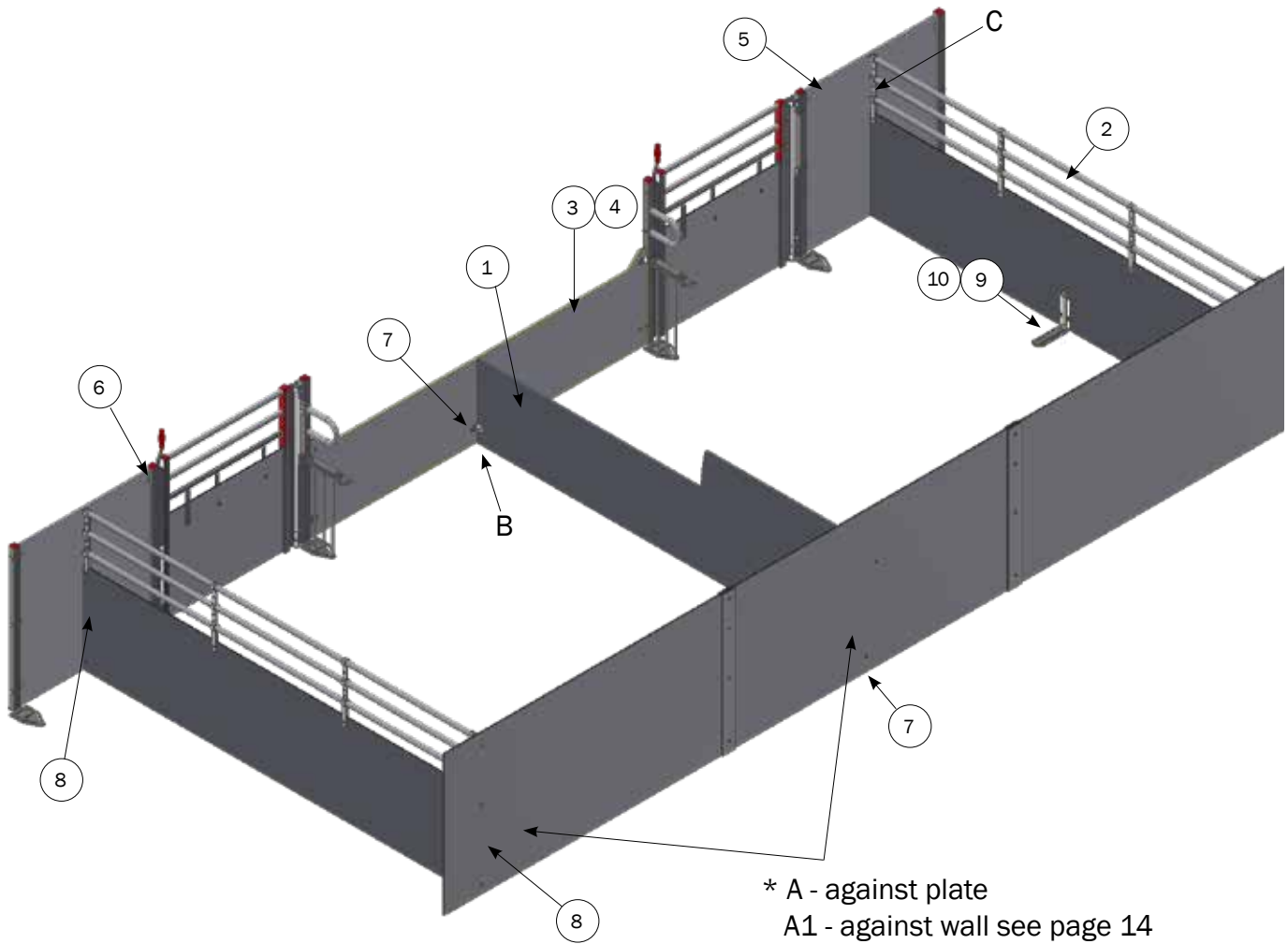
No	Item No.	Description	Pcs.
1	2700129	HIGH POSTS FOR GATE KIT FOR FRONTPART BY DOUBLE PIGLET NEST, INCL. BOLT	1
2	2700130	HIGH POSTS FOR GATE KIT FOR FRONTPART BY SINGLE PIGLET NEST, AGAINST WALL	
3	2700063	LOW POSTS W/GRILL KIT FOR FRONTPART BY DOUBLE PIGLET NEST, INCL. BOLT	1
4	2700096	LOW POSTS W/GRILL KIT FOR FRONTPART BY SINGLE PIGLET NEST, AGAINST WALL	
5	8470159	EXTENSION PLATE FOR WELSAFE PENS >2.6 TO 2.8 M	1
6	2700221	MOUTING KIT FOR WELSAFE WING EXTENDER	1

Doors



No	Item No.	Description	Pcs.
	4510405	GATE H100 PLATE/3 BARS 900-1185 MM WITH PIN LOCK	
1	4250532	UPOST FOR GATE WITH PIN LOCK	1
2	4900466	CONNECTING SCREW SET 39-48 MM, STAINLESS	16
3	38829	HINGE RAIL H100 CM INCL. PEG	1
4	4105183	PIN LOCK FOR GATE INCL. GRIP	1
5	38811	CLEAN-O-FLEX® Z-RAIL H100 LEFT	1
6	38812	CLEAN-O-FLEX® Z-RAIL H100 RIGHT	1
7	30077	PLUG Ø18 X 0,8-2,5/WELD ON PEG	1
8	30013	PLUG PANEL BOTTOM 50 CM/75 CMBOARDPROFILE	1
9	68552	COLLAR HEAD NUT M8 A2 DIN 6923	4
10	67323	SET SCREW M8X16 A2	4
11	33905000	LOCK NUT M5 A2 DIN 985	1
12	30305025	SET SCREW M5X25 A2 DIN 933	1
13	30006	PLUG PANEL TOP 2 TOP PIPES	2
14	30062	PLUG TOP 1 BAR COMPACT LINE	2
15	8500078	PVC PROFILE FOR COMPACT PLATE650 MM	2
16	30064	PLUG BOTTOM COMPACT LINE	1
17	8470180	PLATE FOR GATE FOR FULLPEN WELSAFE	1
18	112406	33.7 X 2.60 PIPE GALV. PRICE PER METER, LENGTH 6 METER	2
19	4520447	LOWER PIPE FOR COMP-O-FLEX GATE 123 CM	1
20	30308025	SET SCREW M8X25 A2 DIN 933	4
21	33908001	LOCK NUT M8 A2 DIN 985	4
22	35600058	WASHER Ø8.4X24X2 MM A2 DIN 9021	4

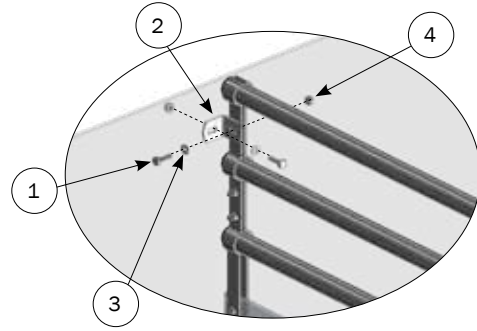
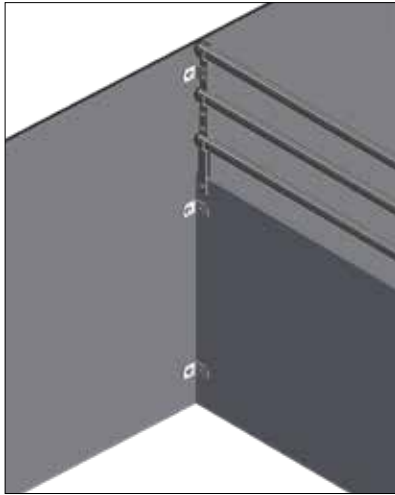
Welsafe path with low posts



No	Item No.	Description
1	2710285	SIDE H50/H75 PLATE BETWEEN PIGLET NEST, LENGTH MIN 2360 - MAX 2800 MM
2	2710329	SIDE H100 PLATE/3 BARS AGAINST WALL/FRONT PART WITHOUT BARS
3	8470151	FRONT PART H50 PLATE FOR 2 PIGLET NEST, WELSAFE
4	8470152	FRONT PART H50 PLATE FOR 1 PIGLET NEST AGAINST WALL, WELSAFE
5	8470155	FRONT PART H100 PLATE, POST/POST
6	2700275	2 LOW POSTS FOR FRONT PART INCL. BOLTS
7	2700269	MOUNTING KIT FOR PARTITION BEWEEN PIGLETS NEST, 8470010
8	4500662	MOUNTING KIT FOR PARTITION AGAINST FRONT PART/WASHING WALL
9	4901802	SUPPORT FOUNDATION FOR SLATS FIBER
10	4901806	SUPPORT FOUNDATION FOR CONCRETE FIBER

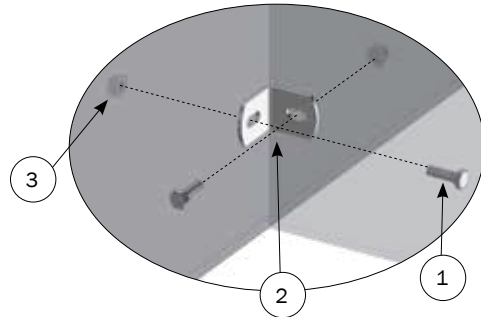
Installation of plate and separation against plate

A



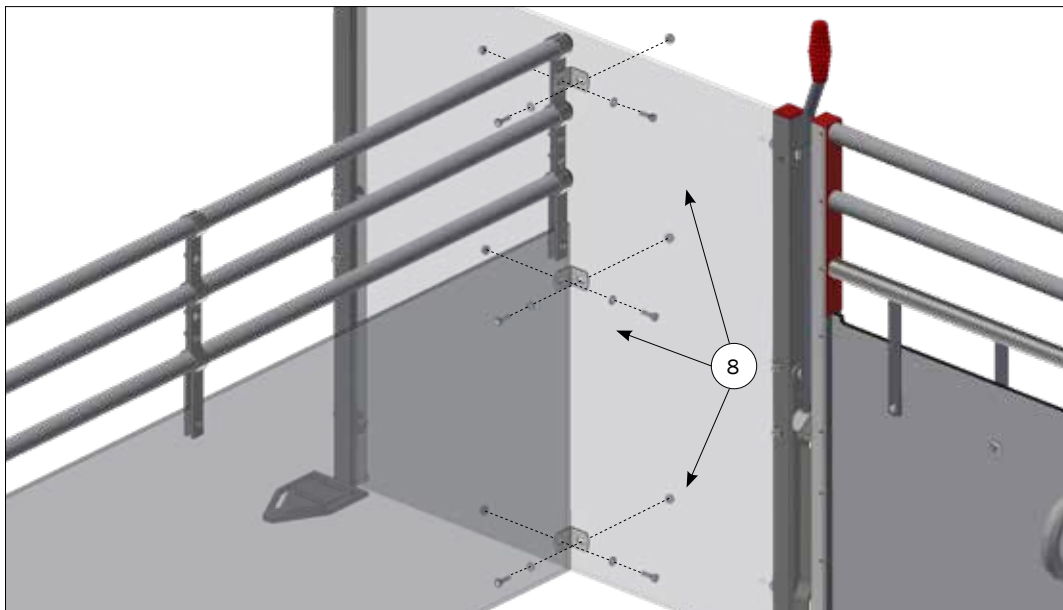
No	Item No.	Description	Pcs.
	4500662	MOUNTING KIT FOR PARTITION AGAINST FRONT PART/ WASHING WALL	
1	30308025	SET SCREW M8X25 A2 DIN 933	6
2	30900	WALL BRACKET SMALL	3
3	35600037	FLAT WASHER Ø8.4X16X1.6 MM A2 DIN 125A	6
4	68552	COLLAR HEAD NUT M8 A2 DIN 6923	6

A B



No	Item No.	Description	Pcs.
	2700269	MOUNTING KIT FOR PARTITION BEWEEN PIGLETS NEST	
1	30308025	SET SCREW M8X25 A2 DIN 933	4
2	30900	WALL BRACKET SMALL	2
3	68552	COLLAR HEAD NUT M8 A2 DIN 6923	4

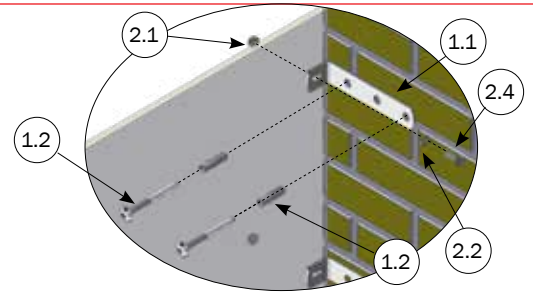
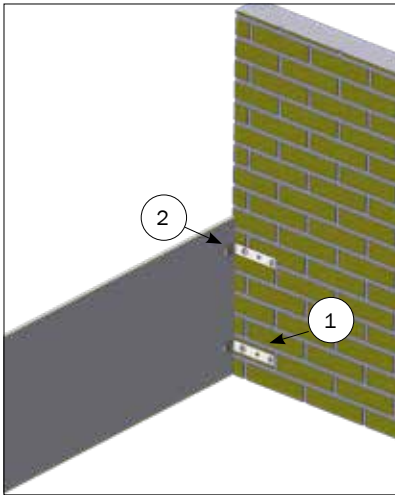
C



○ For parts list see page 10

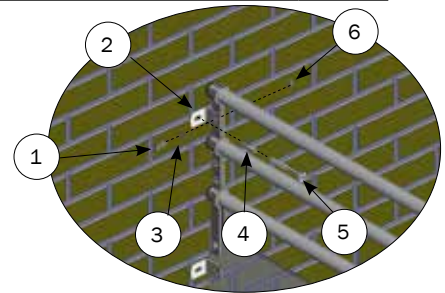
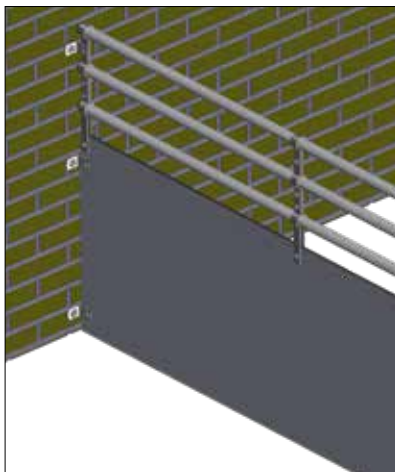
Installation of sheet and separation room against wall

A1

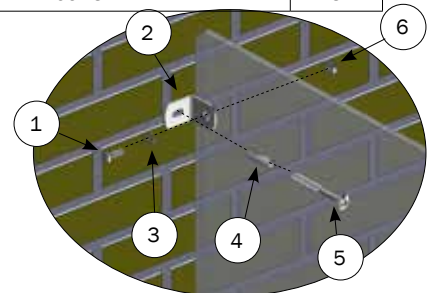
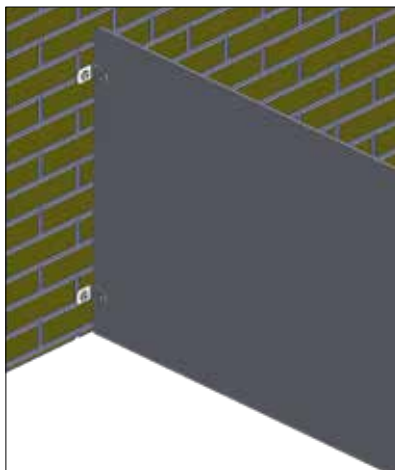


* must be used only this item and only in 2 pcs.

No	Item No.	Description	Pcs.
1	38519	MOUNTING KIT FOR FRONT PART AGAINST WALL	2
1.1	30899	VÆGBESLAG LANG	2
1.2	39900001	WALL PLUG 12X60 MM	4
1.3	67444	10 X 70 BUTTON HEAD TORX 50 STAINLESS STEEL	4
2	2700318	MOUNTING KIT FOR FRONT PART PLATE, POST/WALL	1
2.1	33900029	LOCK NUT M10 A2 DIN 985	4(2)*
2.2	35600037	FLAT WASHER Ø8.4X16X1.6 MM A2 DIN 125A	4(2)*
2.3	4550052	FITTINGS FOR 10 MM PLATE AGAINST POST	2
2.4	30308025	SET SCREW M8X25 A2 DIN 933	4(2)*
2.5	68552	COLLAR HEAD NUT M8 A2 DIN 6923	4



No	Item No.	Description	Pcs.
	4500661	MOUNTING KIT FOR PARTITION AGAINST WALL	1
1	30308025	SET SCREW M8X25 A2 DIN 933	3
2	30906	WALL BRACKET ANGLE/PANEL	3
3	35600037	FLAT WASHER Ø8.4X16X1.6 MM A2 DIN 125A	3
4	39900001	WALL PLUG 12X60 MM	3
5	67444	10 X 70 BUTTON HEAD TORX 50 STAINLESS STEEL	3
6	68552	COLLAR HEAD NUT M8 A2 DIN 6923	3

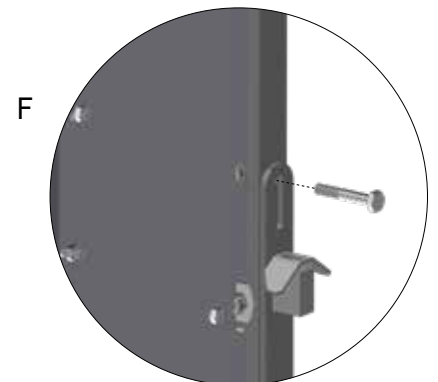
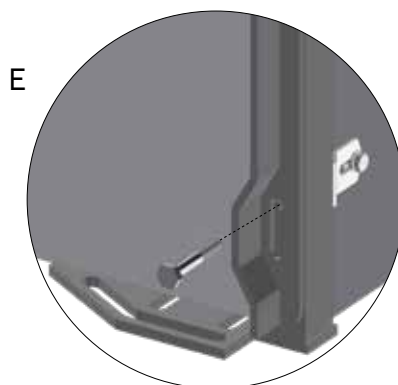
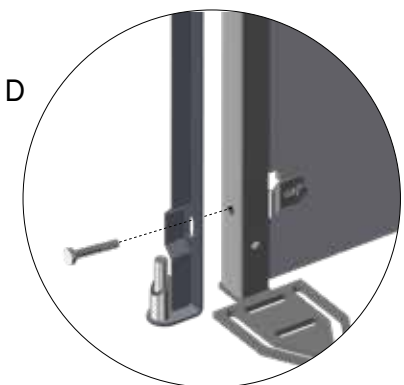
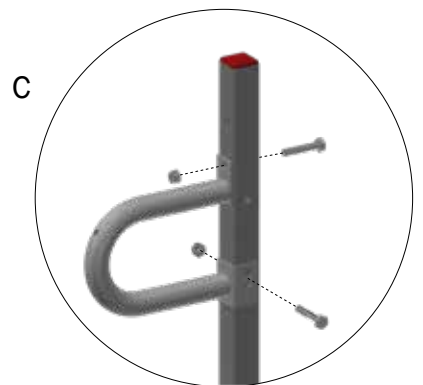
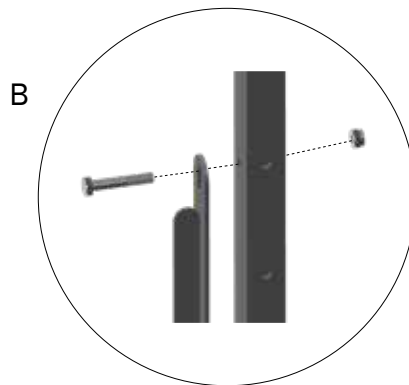
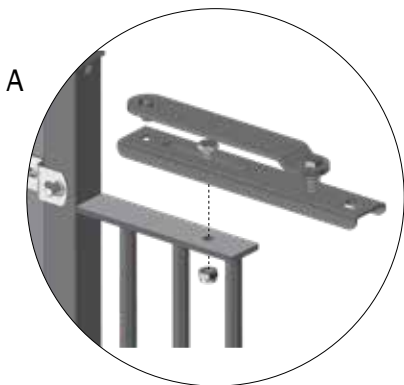
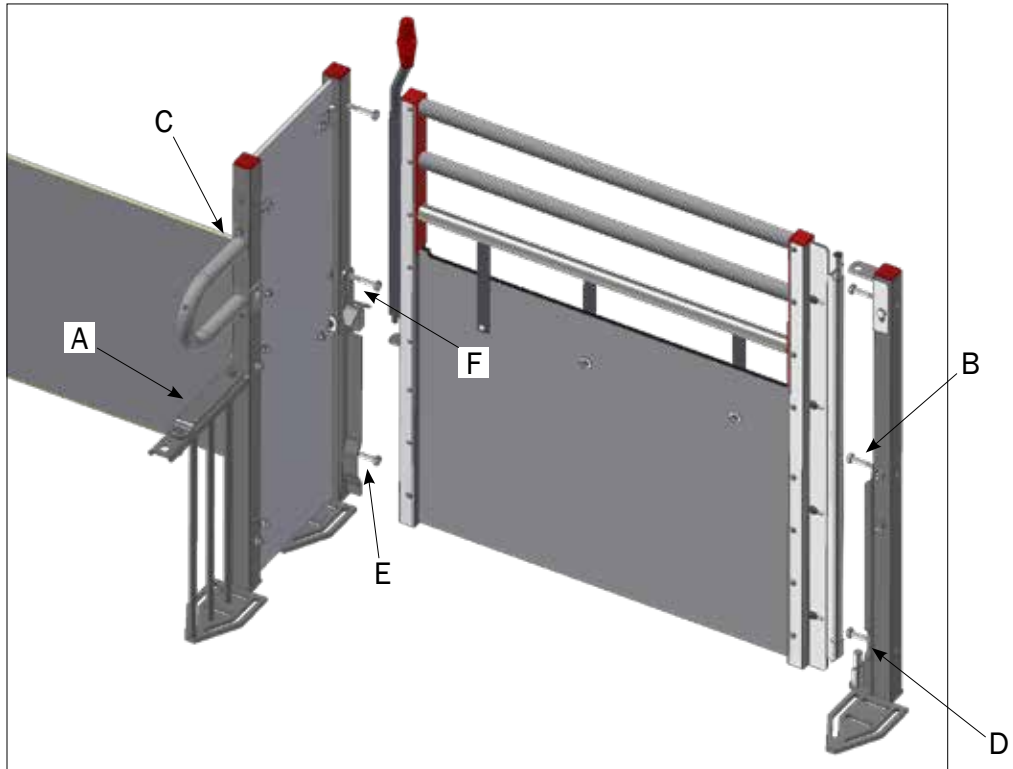


* should only be used in 2 pcs.

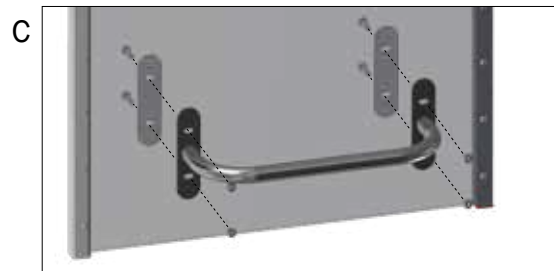
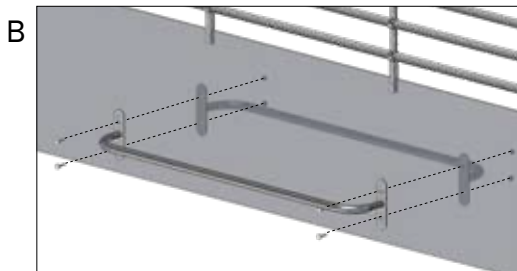
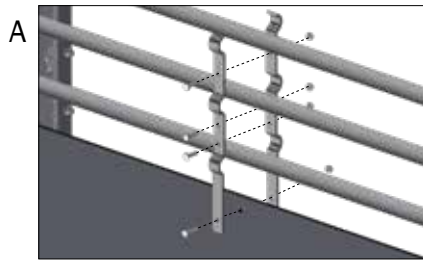
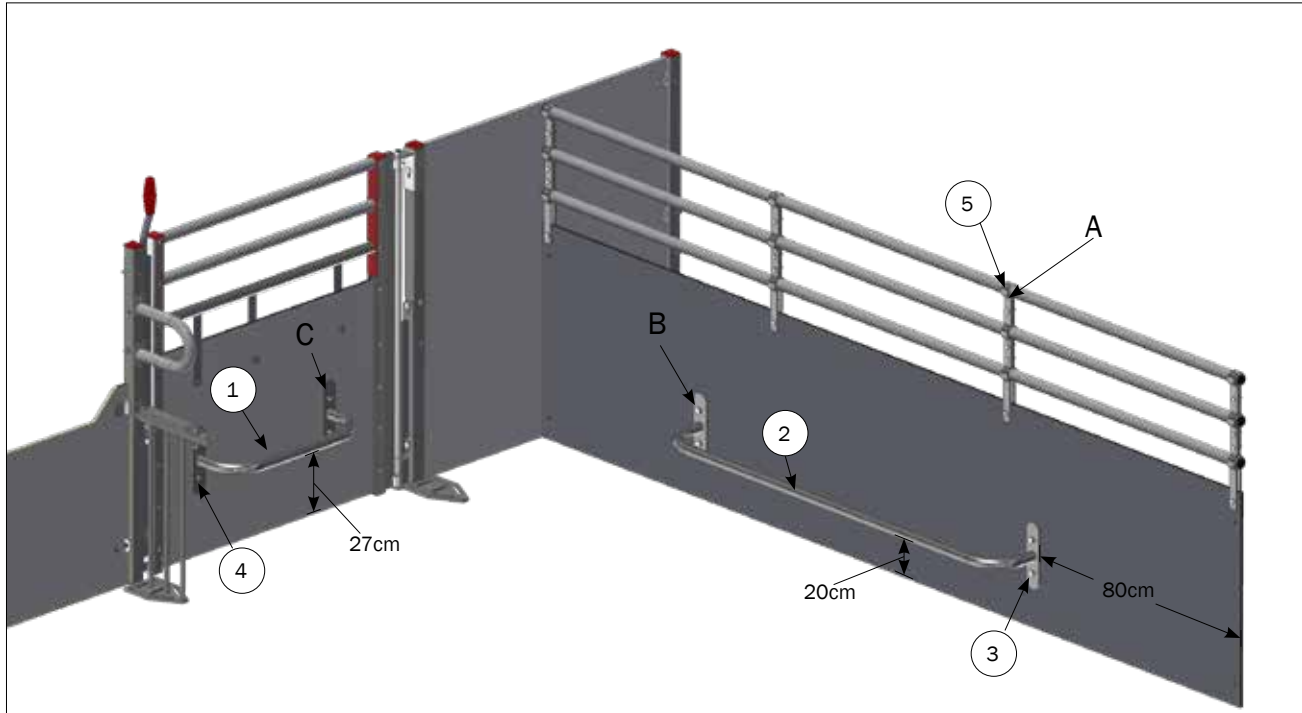
No	Item No.	Description	Pcs.
	4500661	MOUNTING KIT FOR PARTITION AGAINST WALL	1
1	30308025	SET SCREW M8X25 A2 DIN 933	3 (2)*
2	30906	WALL BRACKET ANGLE/PANEL	3 (2)*
3	35600037	FLAT WASHER Ø8.4X16X1.6 MM A2 DIN 125A	3 (2)*
4	39900001	WALL PLUG 12X60 MM	3 (2)*
5	67444	10 X 70 BUTTON HEAD TORX 50 STAINLESS STEEL	3 (2)*
6	68552	COLLAR HEAD NUT M8 A2 DIN 6923	3 (2)*

M-6246_GB

Installation of low posts

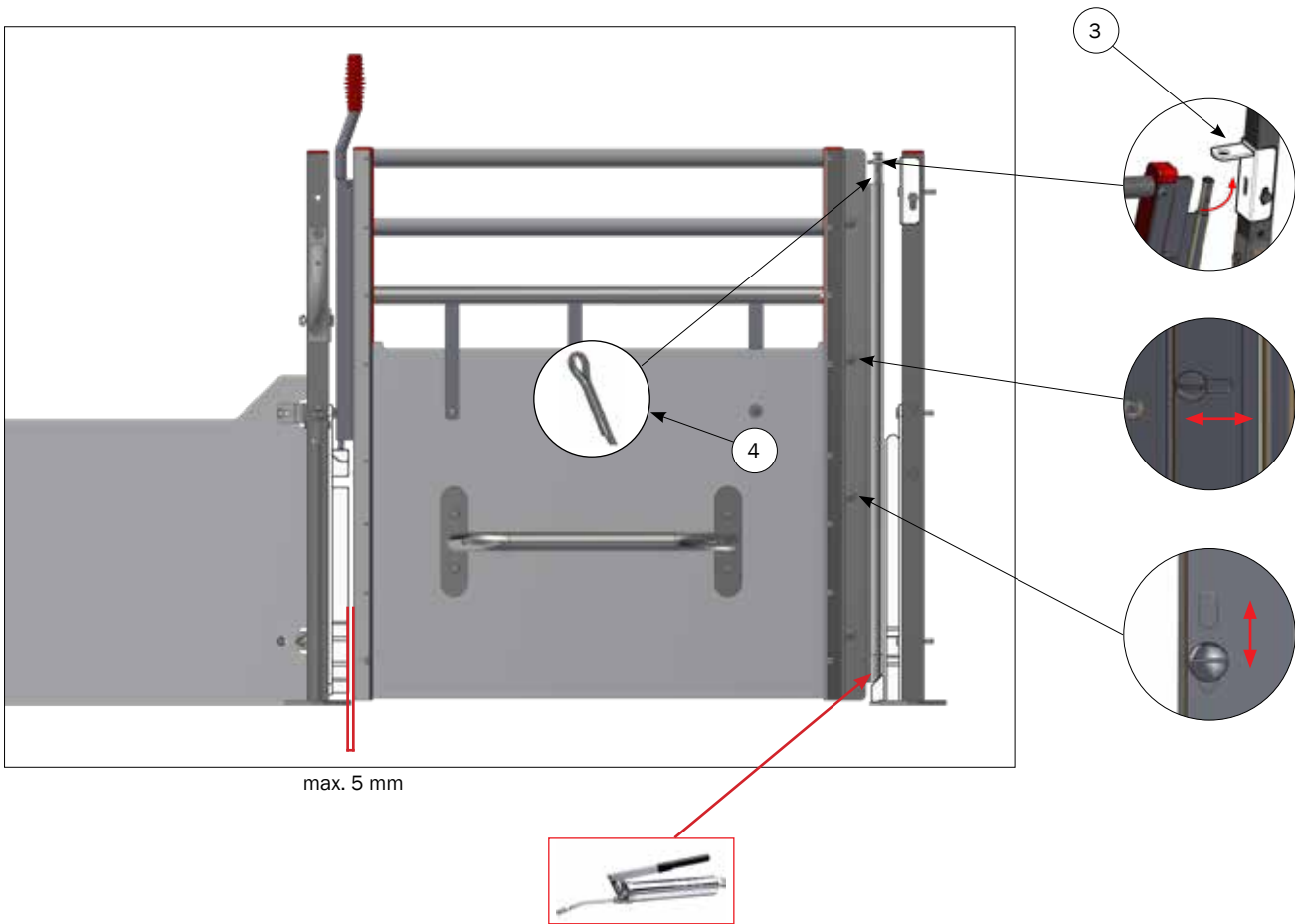


Safeguard bar

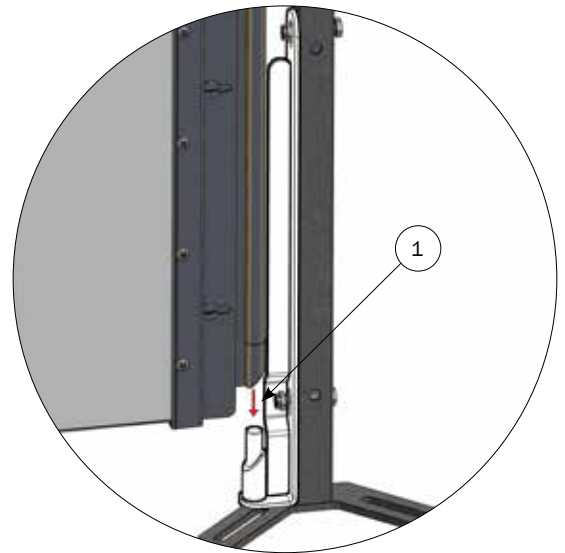
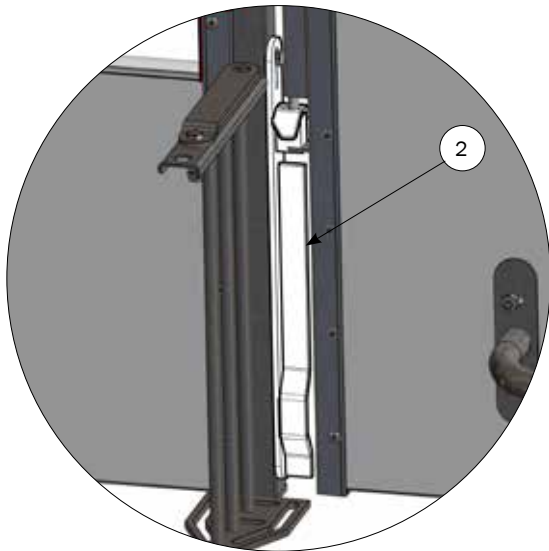


No	Item No.	Description	Pcs.
1	2720013	SAFEGUARD BAR 55 CM	1
2	2720014	SAFEGUARD BAR 138 CM	2
3	2700557	MOUNTING KIT SAFEGUARD BARS DOUBLE ON PLATE	1
4	2700558	MOUNTING KIT SAFEGUARD BARS SINGLE ON PLATE	1
5	38944	1 PCS. STIFFENING BRACKET SETFOR 3 BARS ON PLATE	4

Doors

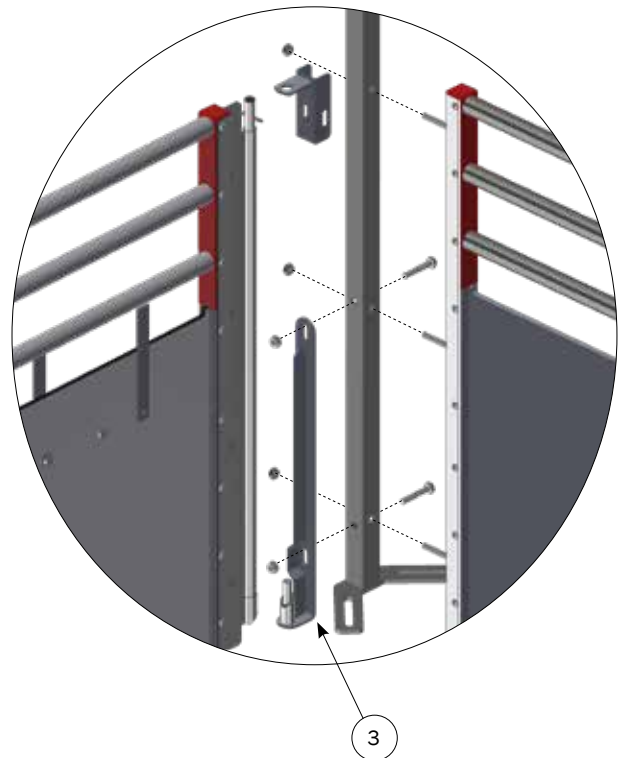
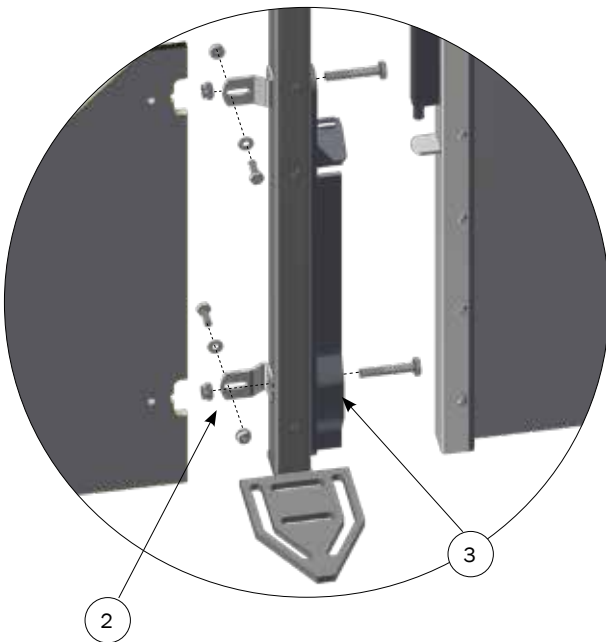
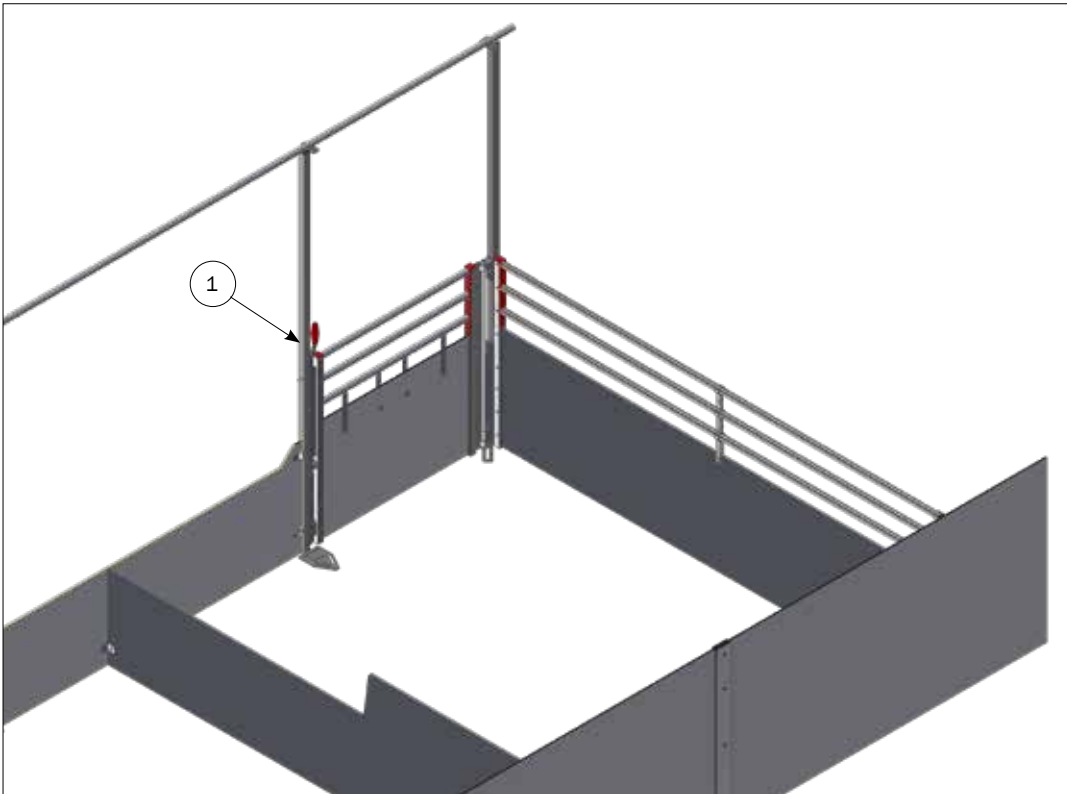


max. 5 mm



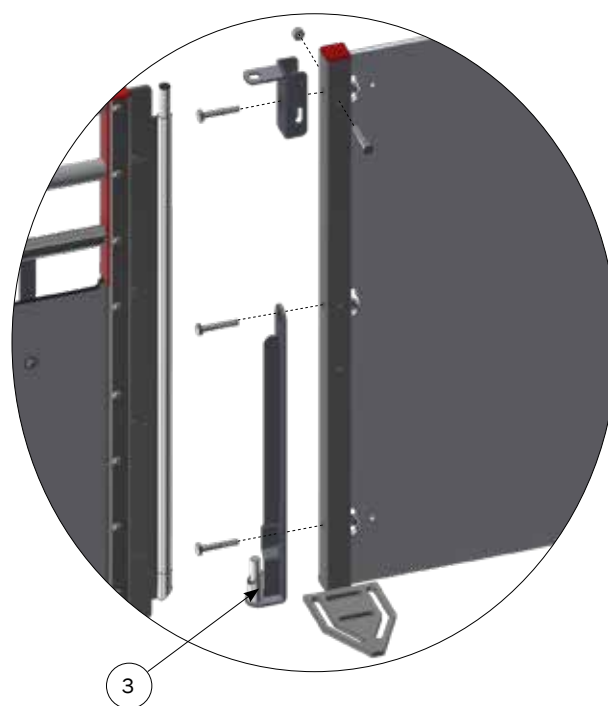
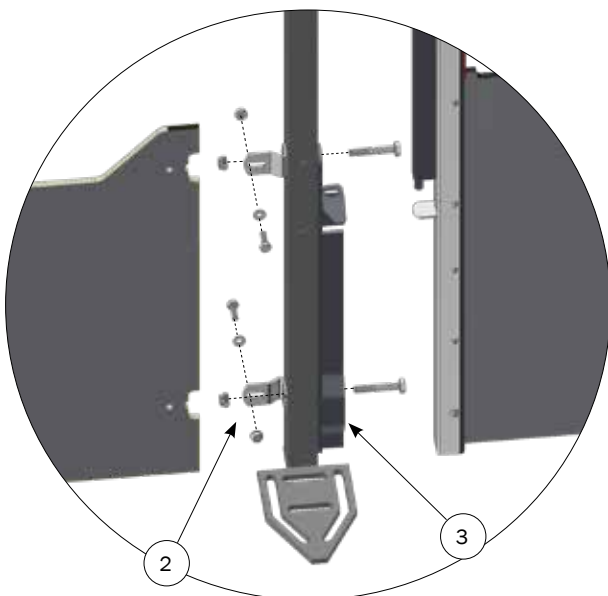
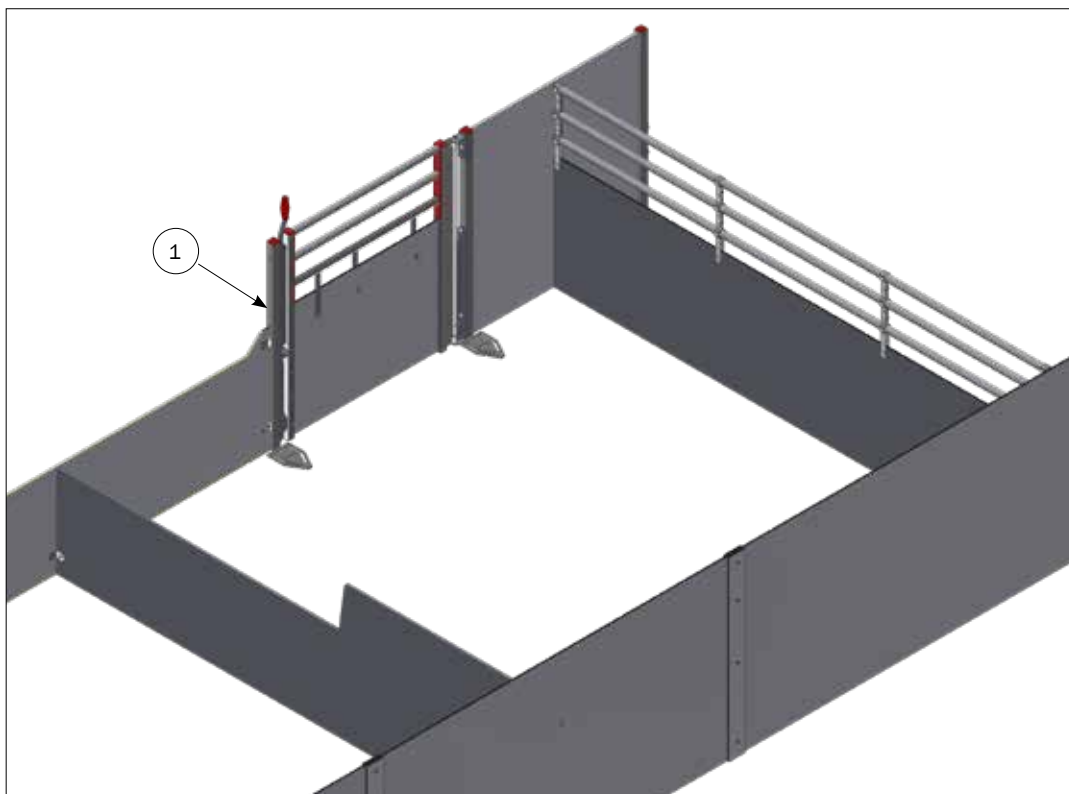
No	Item No.	Description	Pcs.
	2700278	MOUNTING KIT FOR GATE WITH PIN LOCK	
1	17363E	LOWER DOOR BRACKET COF FOR 50X50 POST	1
2	2920573	RECEIVER BRACKET FOR GATE WITH PIN LOCK	1
3	2950572	UPPER GATE BRACKET 40X40 POST	1
4	35900095	SPLIT PINS 4X40 MM A2 DIN 94	1

High posts for welsafe move



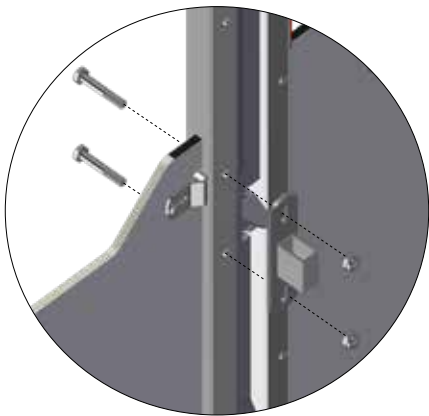
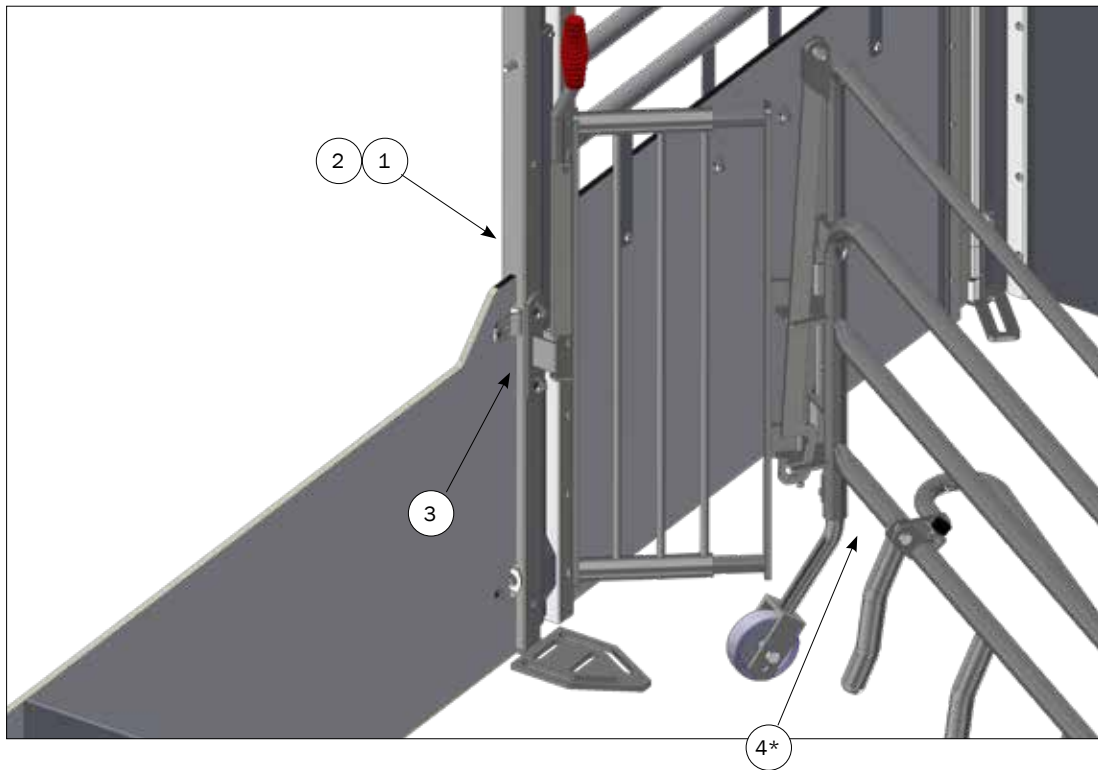
No	Item No.	Description	Pcs.
1	2700129	HIGH POSTS FOR GATE KIT FOR FRONTPART BY DOUBLE PIGLET NEST, INCL. BOLT	1
2	2700318	MOUNTING KIT FOR FRONT PART PLATE, POST/WALL	1
3	2700278	MOUNTING KIT FOR GATE WITH PIN LOCK	1

Low posts for welsafe move



No	Item No.	Description	Pcs.
1	2700275	2 LOW POSTS FOR FRONT PART INCL. BOLTS	1
2	2700318	MOUNTING KIT FOR FRONT PART PLATE, POST/WALL	1
3	2700278	MOUNTING KIT FOR GATE WITH PIN LOCK	1

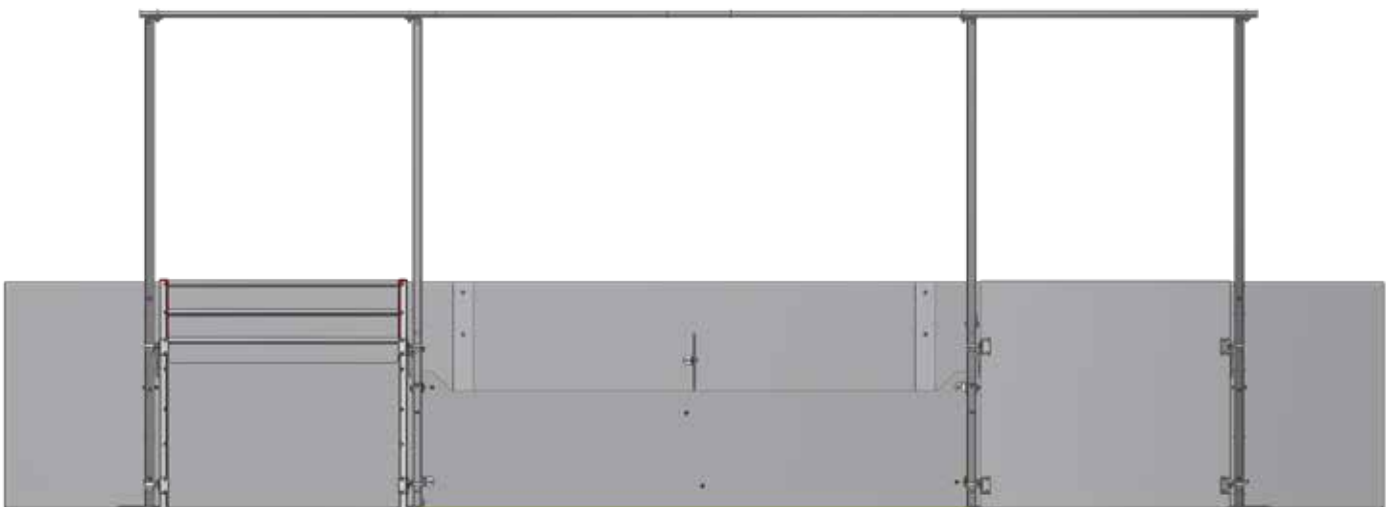
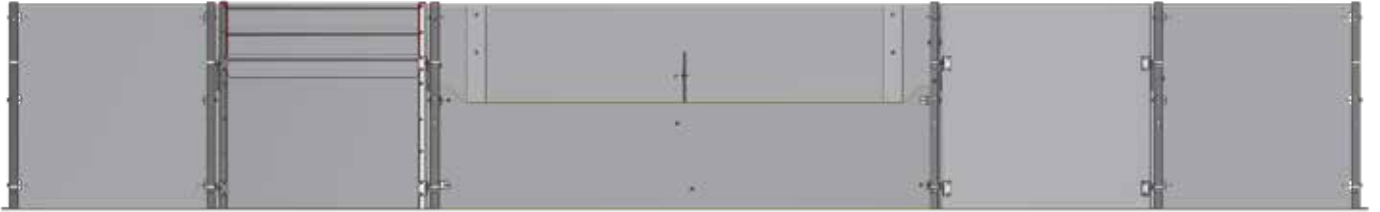
Door holder on posts



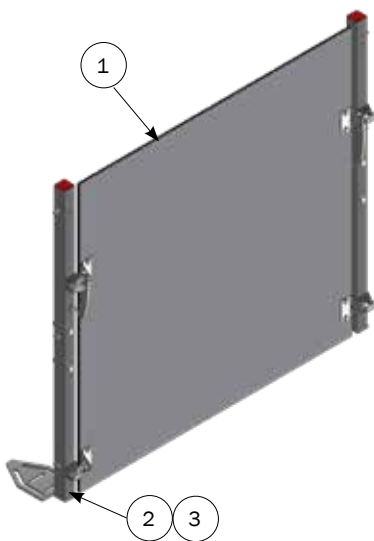
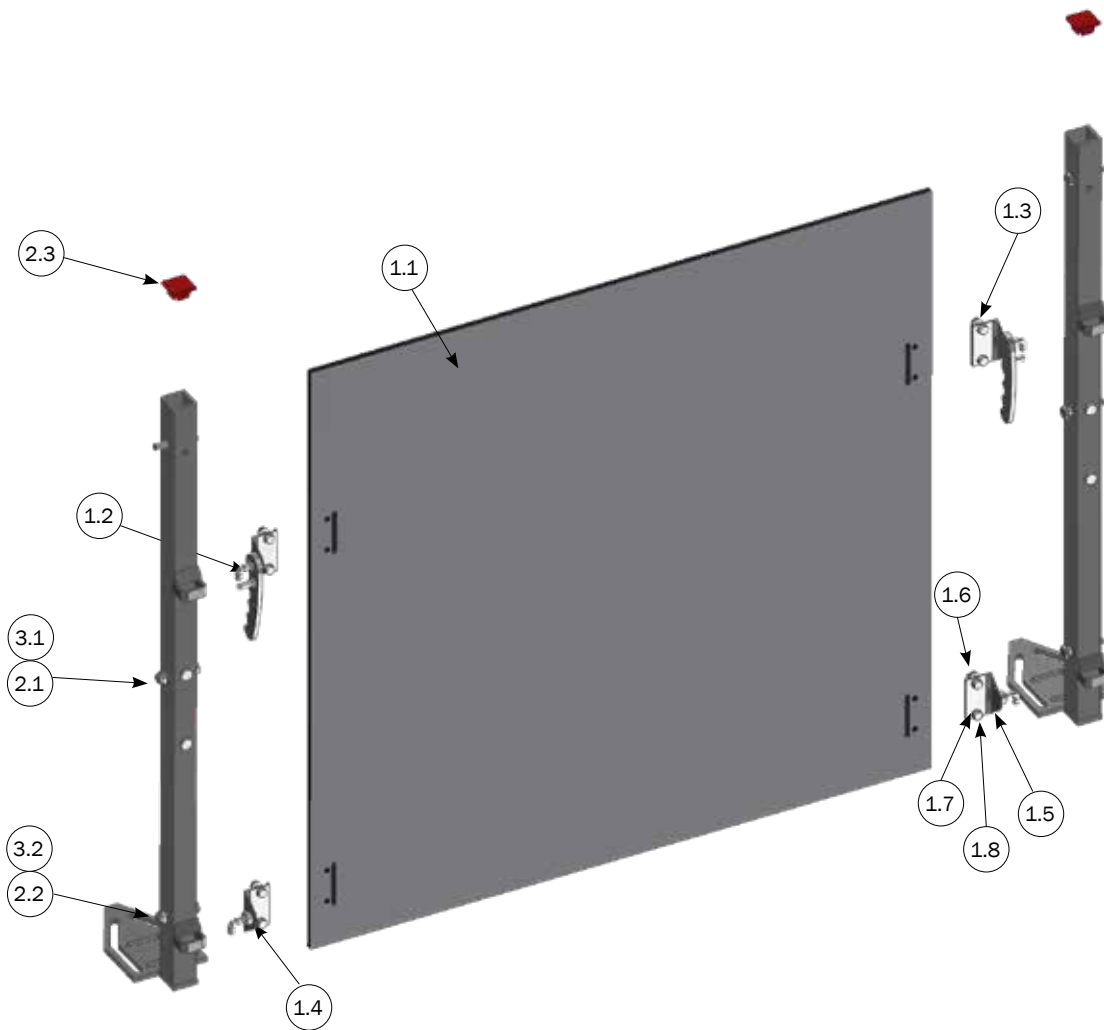
No	Item No.	Description	Pcs.
1	2700129	HIGH POSTS FOR GATE KIT FOR FRONTPART BY DOUBLE PIGLET NEST, INCL. BOLT	1
2	2700275	2 LOW POSTS FOR FRONT PART INCL. BOLTS	1
3	1915011	GATE STOP 40 MM EXCL. BOLTS AND SCREWS	1
4*	2700216	FARROWING PARTITION, RIGHT PEN, WELSAFE MOVE	1

* For mounting instruction see M-6245

Double hanging door

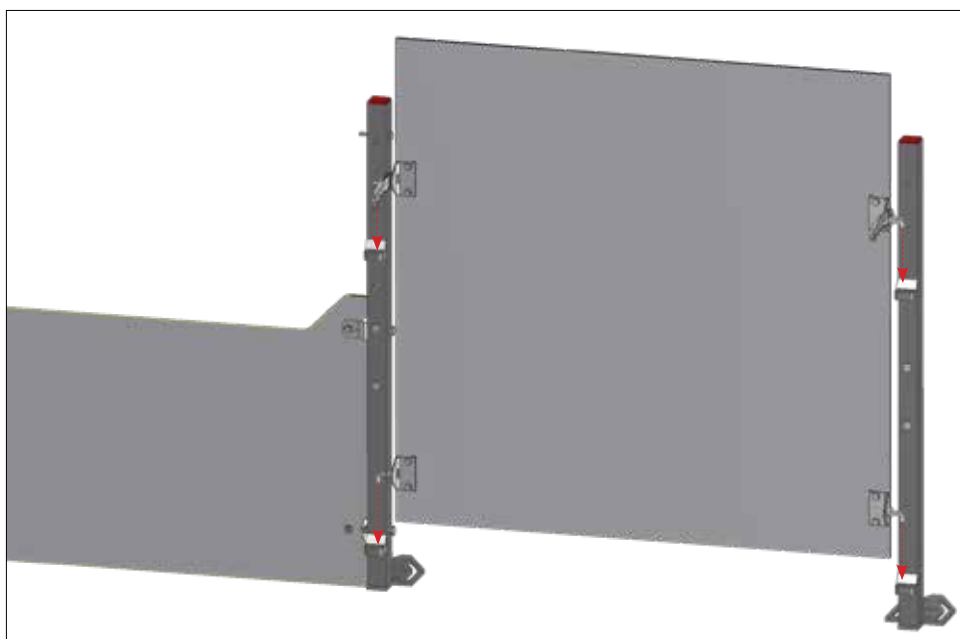
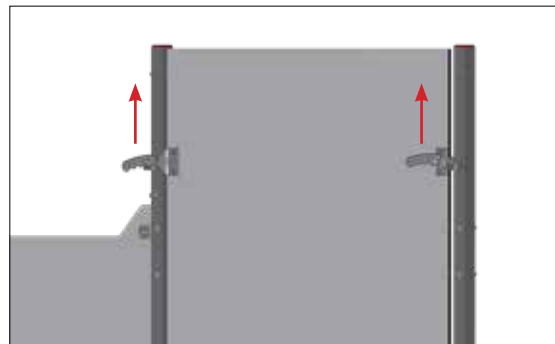
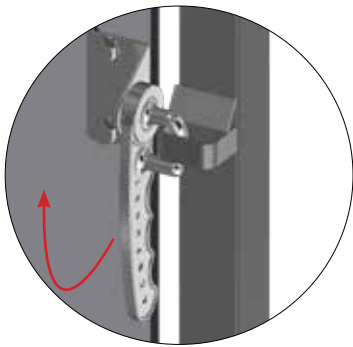
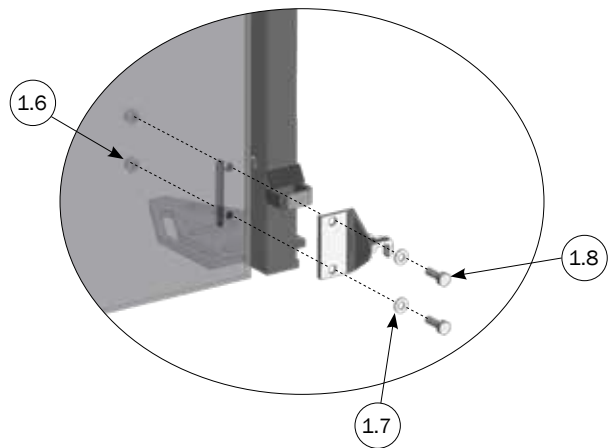
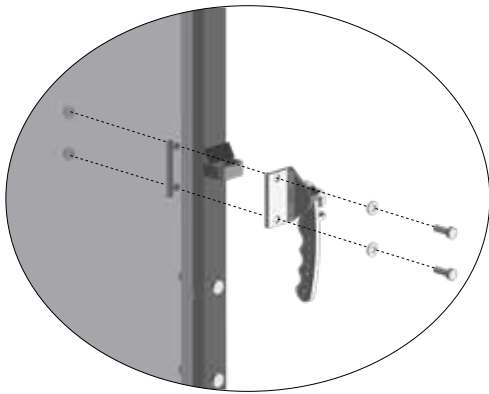


Double hanging door

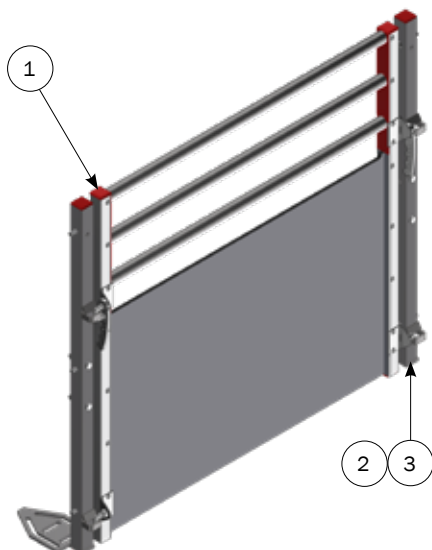
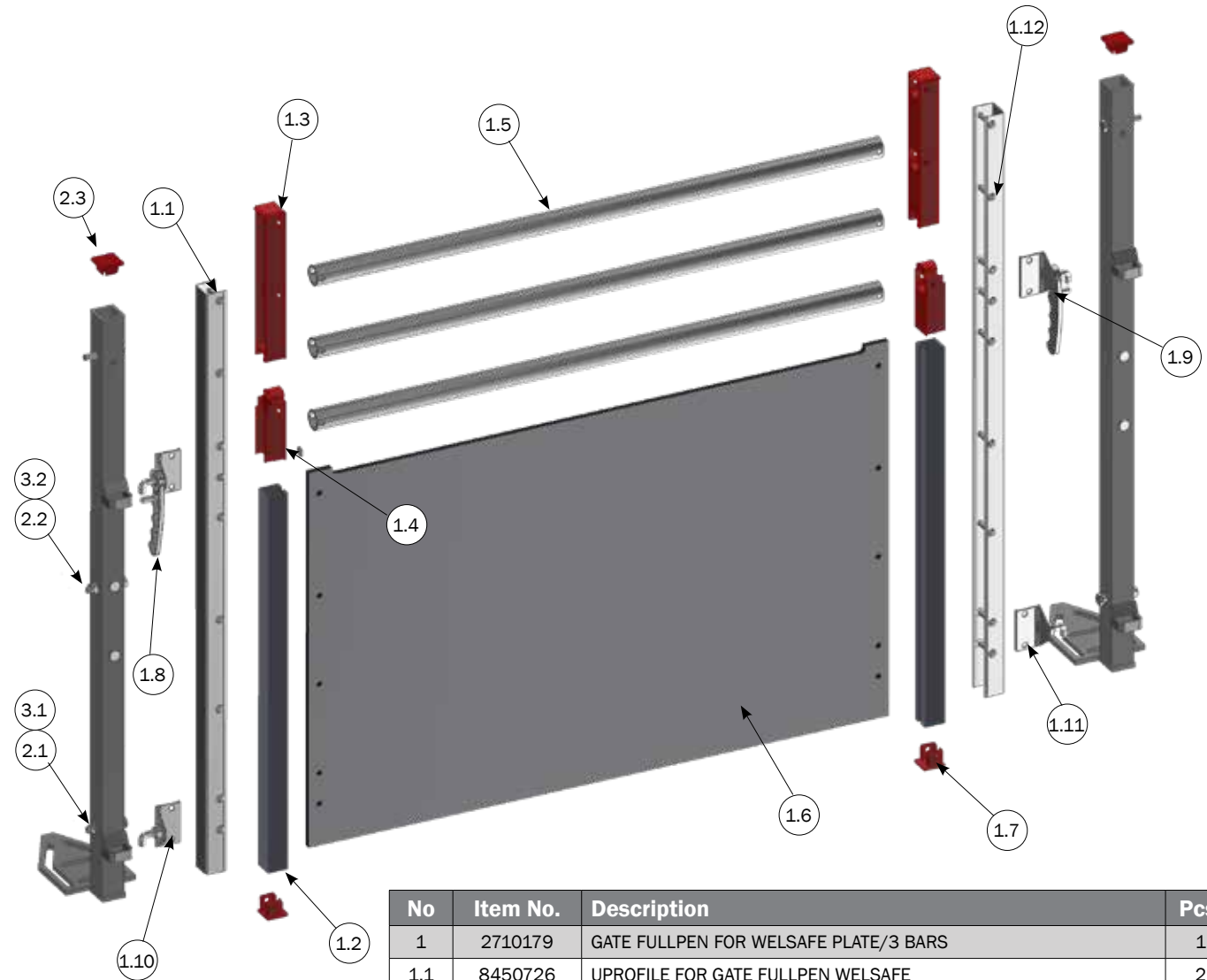


No	Item No.	Description	Pcs.
1	2710289	GATE FULLPEN FOR WELSAFE PLATE	1
1.1	8470289	PLATE FOR GATE FULLPEN WELSAFE	1
1.2	4910889	HANDLE STAINLESS STEEL LEFT	1
1.3	4910900	HANDLE STAINLESS STEEL RIGHT	1
1.4	4950887	LOWER HINGER FOR GATE STAINLESS STEEL LEFT	1
1.5	4950884	LOWER HINGER FOR GATE STAINLESS STEEL RIGHT	1
1.6	68552	COLLAR HEAD NUT M8 A2 DIN 6923	8
1.7	35600037	FLAT WASHER Ø8.4X16X1.6 MM A2 DIN 125A	8
1.8	30308025	SET SCREW M8X25 A2 DIN 933	8
2	2720456	LOW POST FOR FRONT PART AGAINST PIGLET NEST, WS WITH DOUBLE HANGED GATE	2
2.1	33900029	LOCK NUT M10 A2 DIN 985	4
2.2	32510060	MACHINE BOLT M10X60 A2 DIN 931	10
2.3	30086	PLUG 40 X 40 X 4 POST	2
3	2700429	HIGH POST WITH DOUBLE HANGED GATE, KIT FOR FRONTPART BY DOUBLE PIGLET NEST,INCL. BOLT	2
3.1	33900029	LOCK NUT M10 A2 DIN 985	4
3.2	32510060	MACHINE BOLT M10X60 A2 DIN 931	10

Double hanging door

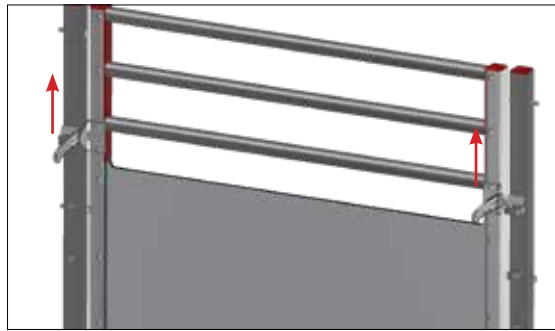
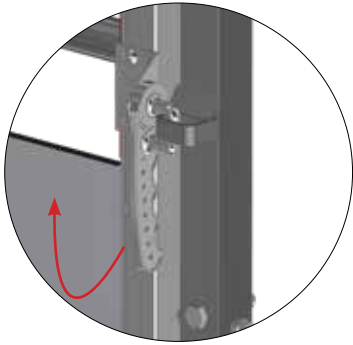
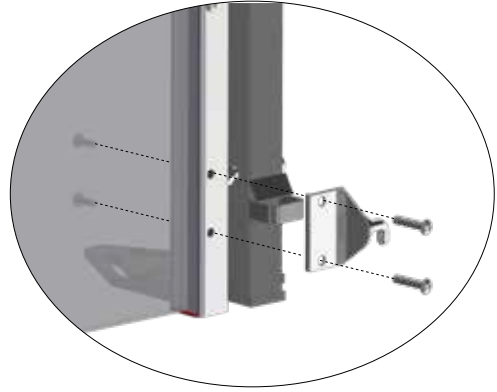
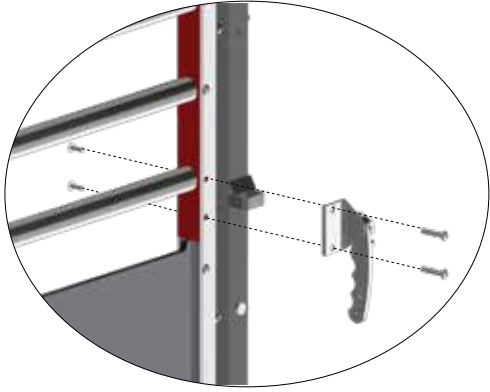


Double hanging door

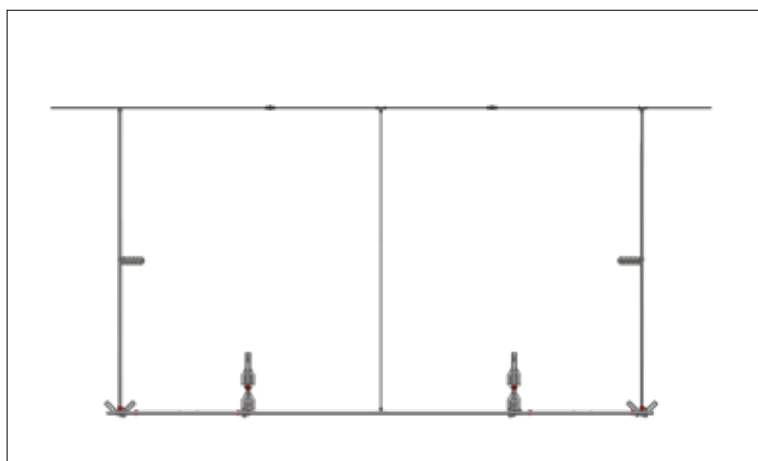
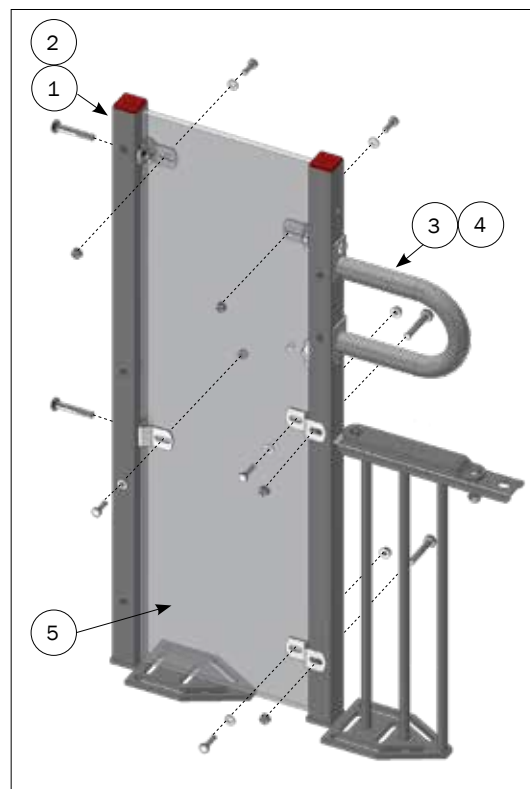
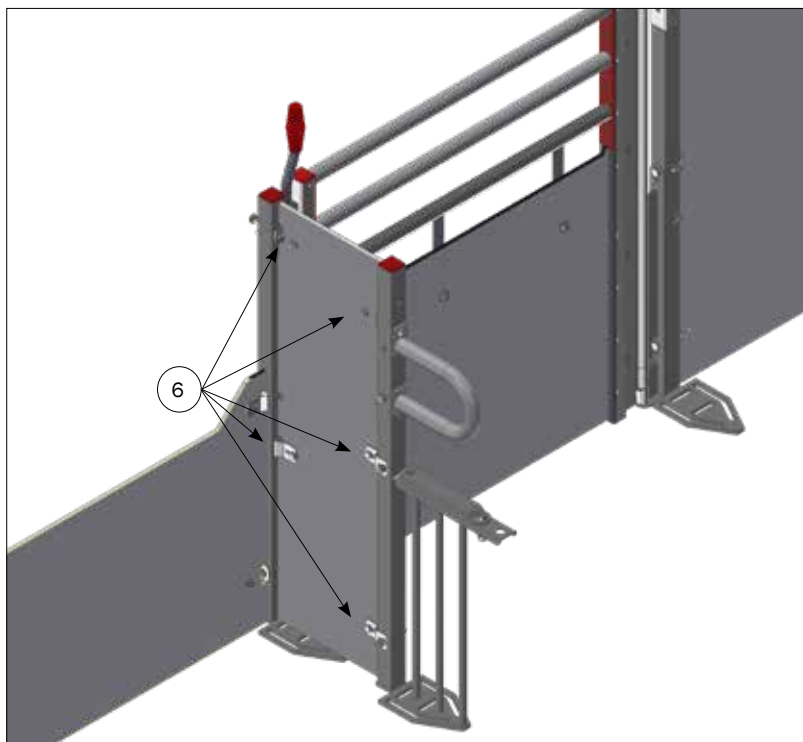


No	Item No.	Description	Pcs.
1	2710179	GATE FULLPEN FOR WELSAFE PLATE/3 BARS	1
1.1	8450726	UPROFILE FOR GATE FULLPEN WELSAFE	2
1.2	30006	PLUG PANEL TOP 2 TOP PIPES	2
1.3	30062	PLUG TOP 1 BAR COMPACT LINE	2
1.4	112406	33.7 X 2.60 PIPE GALV. PRICE PER METER, LENGTH 6 METER	3
1.5	8470180	PLATE FOR GATE FOR FULLPEN WELSAFE	1
1.6	30064	PLUG BOTTOM COMPACT LINE	2
1.7	4910889	HANDLE STAINLESS STEEL LEFT	1
1.8	4910900	HANDLE STAINLESS STEEL RIGHT	1
1.9	4950887	LOWER HINGER FOR GATE STAINLESS STEEL LEFT	1
1.10	4950884	LOWER HINGER FOR GATE STAINLESS STEEL RIGHT	1
1.11	4900466	CONNECTING SCREW SET 39-48 MM, STAINLESS	18
2	2720456	LOW POST FOR FRONT PART AGAINST PIGLET NEST, WS WITH DOUBLE HANGED GATE	2
2.1	33900029	LOCK NUT M10 A2 DIN 985	4
2.2	32510060	MACHINE BOLT M10X60 A2 DIN 931	10
2.3	30086	PLUG 40 X 40 X 4 POST	2
3	2700429	HIGH POST WITH DOUBLE HANGED GATE, KIT FOR FRONTPART BY DOUBLE PIGLET NEST,INCL. BOLT	2
3.1	33900029	LOCK NUT M10 A2 DIN 985	4
3.2	32510060	MACHINE BOLT M10X60 A2 DIN 931	10

Double hanging door

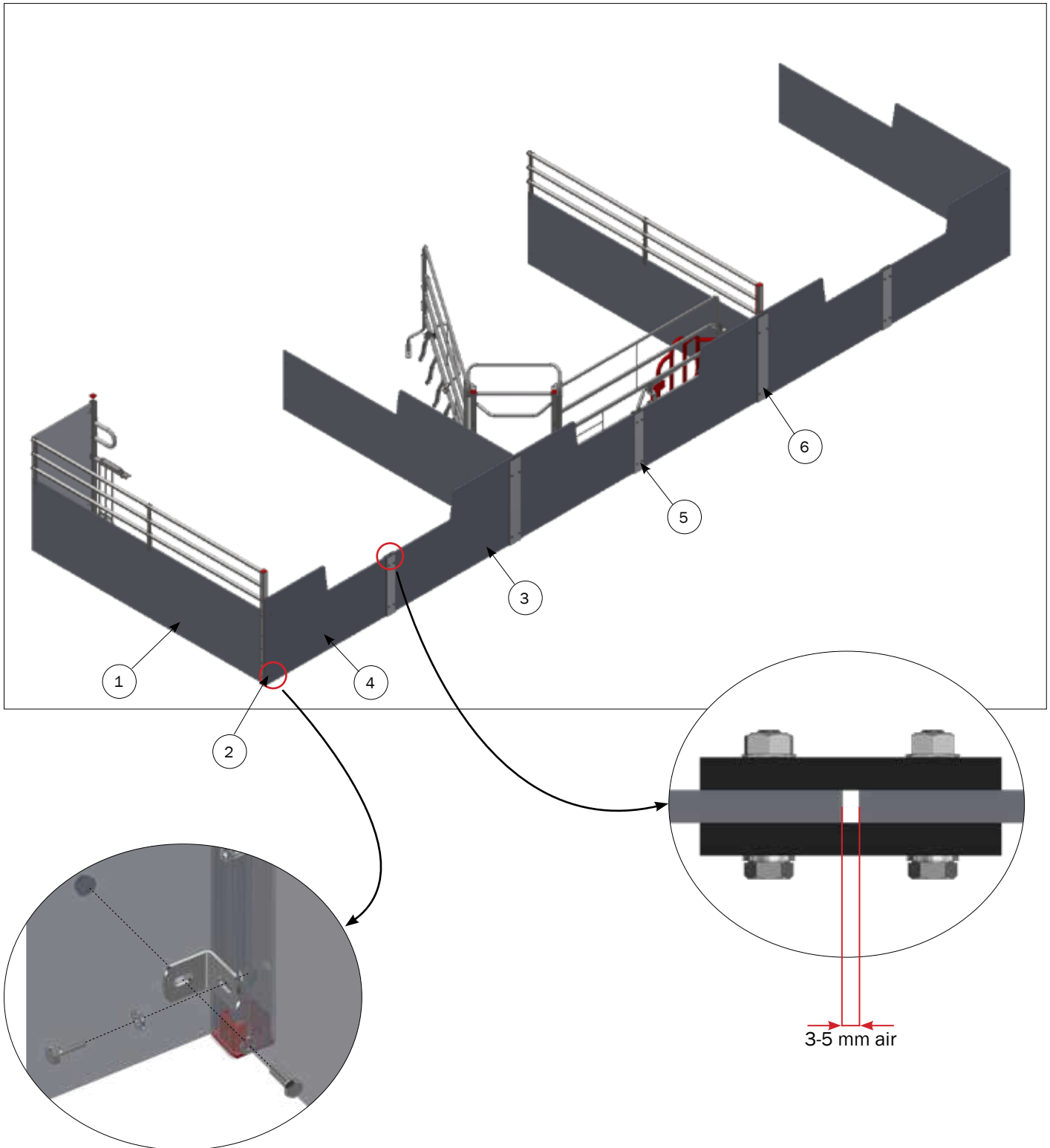


Extra furniture



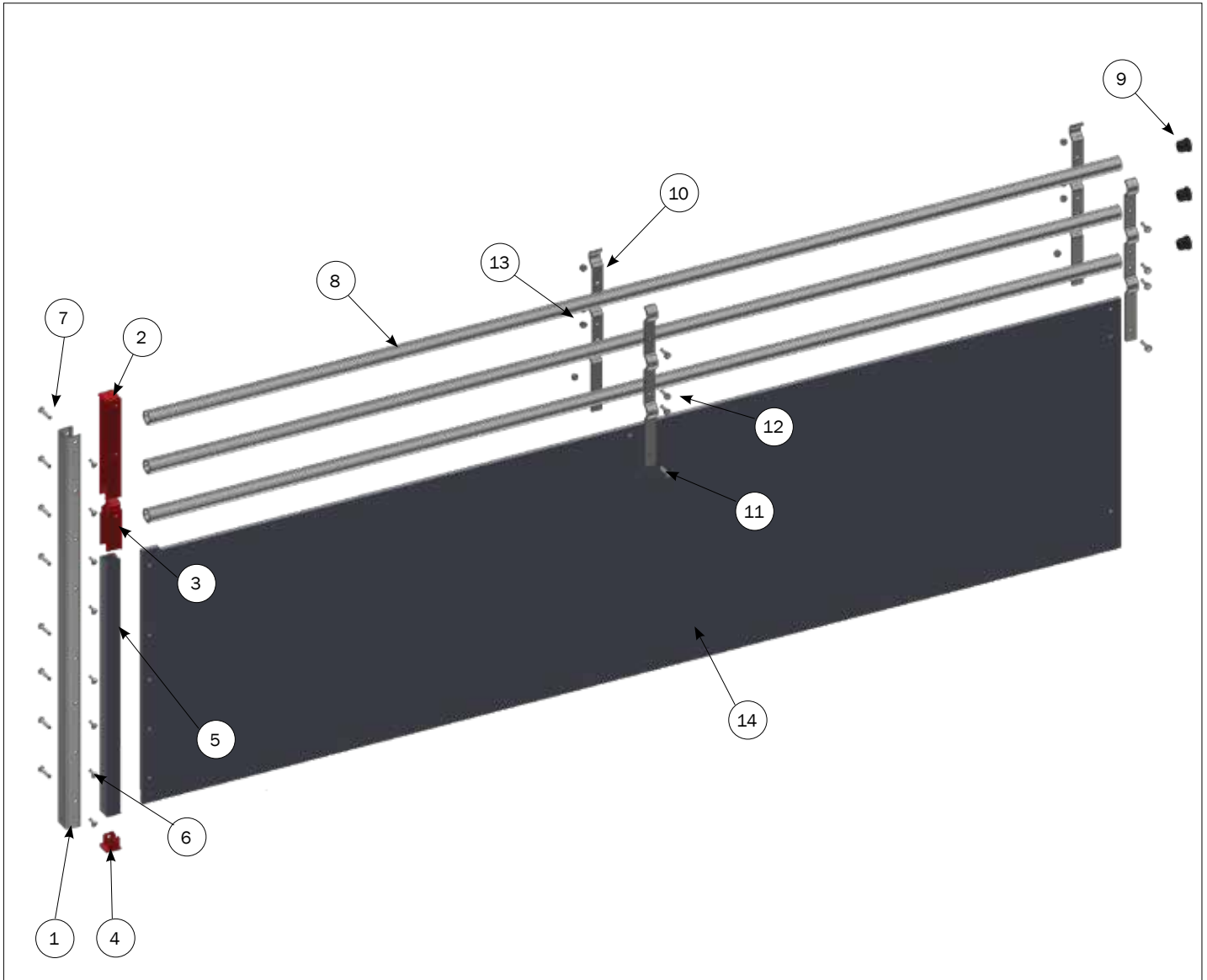
No	Item No.	Description	Pcs.
1	2700275	2 LOW POSTS FOR FRONT PART INCL. BOLTS	1
2	2700284	POST FOR FRONT PART AGAINST WALL INCL. BOLTS	
3	2700063	LOW POSTS W/GRILL KIT FOR FRONTPART BY DOUBLE PIGLET NEST,INCL. BOLT	1
4	2700096	LOW POSTS W/GRILL KIT FOR FRONTPART BY SINGLE PIGLET NEST, AGAINST WALL	
5	8470159	EXTENSION PLATE FOR WELSAFE PENS >2.6 TO 2.8 M	1
6	2700221	MOUTING KIT FOR WELSAFE WING EXTENDER	1

Front assembled



No	Item No.	Description	Pcs.
1	2710304	SIDE H100 PLATE/3 BARS UPROFILE/AGAINST WALL	1
2	2700269	MOUNTING KIT FOR PARTITION BEWEEN PIGLETS NEST, 8470010	2
3	2760331	PLATE IN FRONT OF TROUGH H 76/52, HALF PART, WELSAFE	5
4	2760332	PLATE IN FRONT OF TROUGH H 76/52, HALF PEN/ PART, W. U-PROFILE, WELSAFE	1
5	2700333	ASSEMBLY KIT H52 FOR PLATE IN FRONT OF TROUGH	3
6	2700334	ASSEMBLY KIT H76 FOR PLATE IN FRONT OF TROUGH	2

French panel



No	Item No.	Description	Pcs.
	2710304	SIDE H100 PLATE/3 BARS UPROFILE/AGAINST WALL	
1	8450597	UPROFILE H100	1
2	30006	PLUG PANEL TOP 2 TOP PIPES	1
3	30062	PLUG TOP 1 BAR COMPACT LINE	1
4	30064	PLUG BOTTOM COMPACT LINE	1
5	8500090	PVC PROFILE FOR PARTITION WITH UPROFILE	1
6	39106020	CONNECTION SCREW M6X20 STAINLESS TORX 30	8
7	39206037	SPLICING SLEEVE M6X37 STAINLESS TORX 30	8
8	112406	33.7 X 2.60 PIPE GALV. PRICE PER METER, LENGTH 6 METER	3
9	9960006	ROUND CAP BLACK (1" PIPE)	3
10	64400	STIFFENING BRACKET 3 TOP BARS	4
11	30308030	SET SCREW M8X30 A2 DIN 933	2
12	30308025	SET SCREW M8X25 A2 DIN 933	6
13	33908001	LOCK NUT M8 A2 DIN 985	8
14	8470143	COMPACT PLATE 10 MM, GREY	1