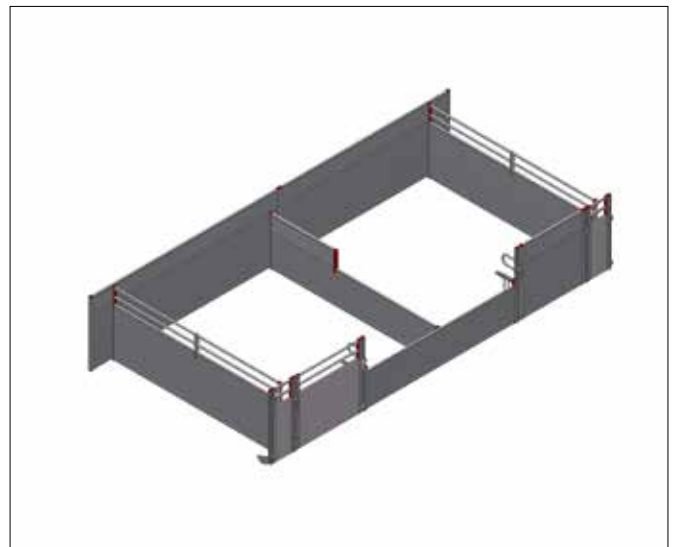
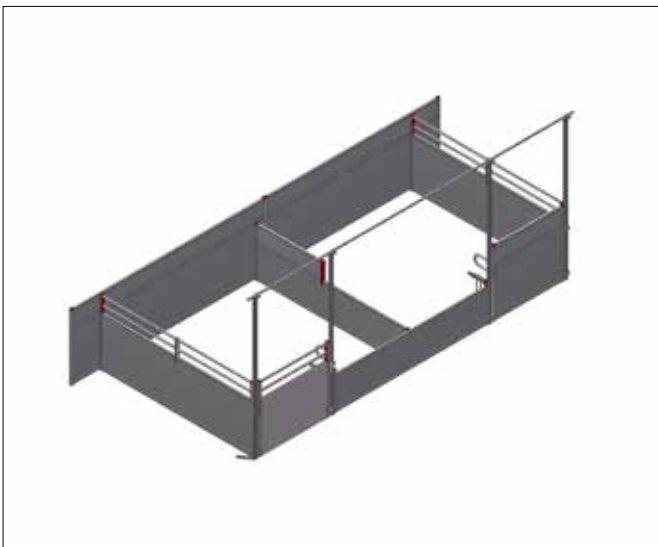
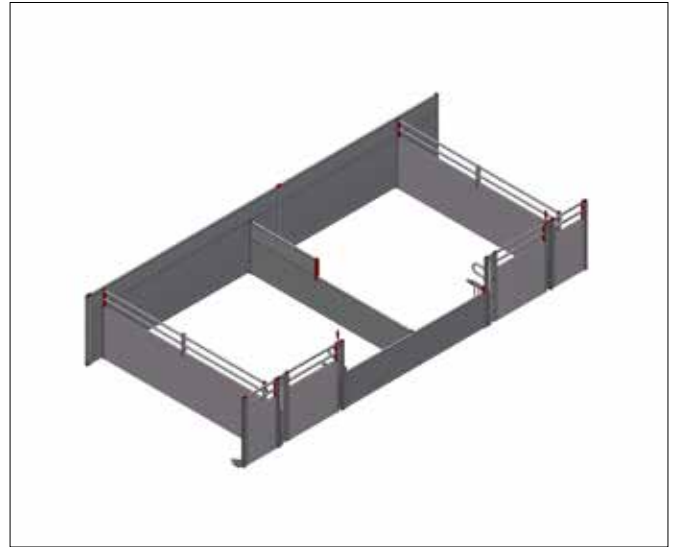
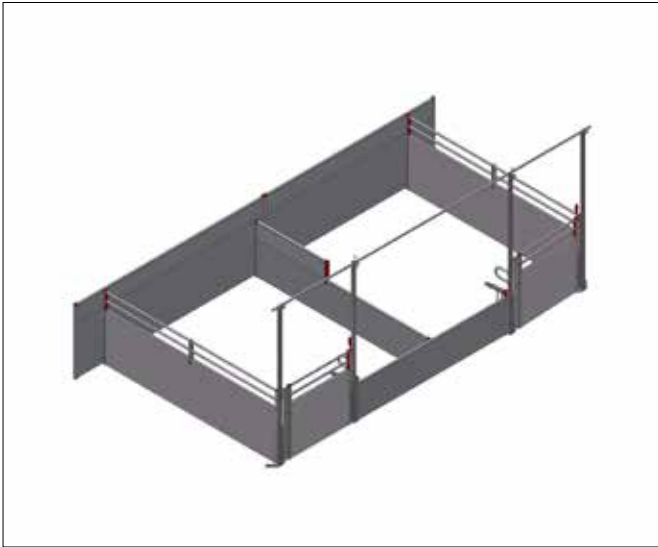


# MOUNTING INSTRUCTION



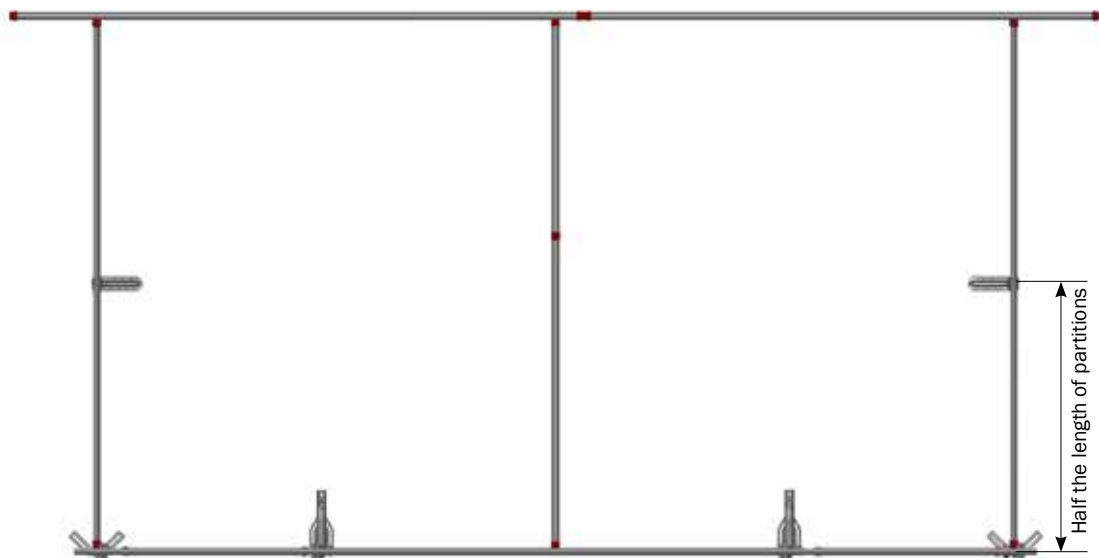
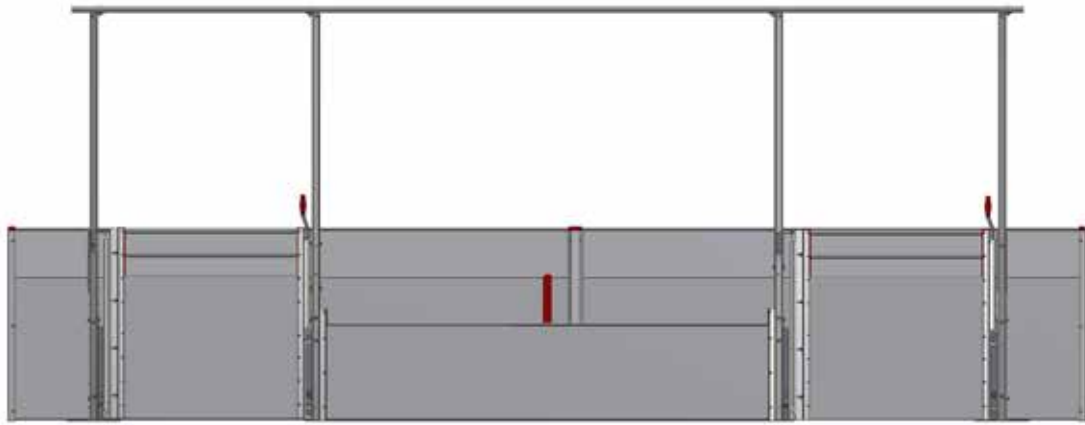
## WELSAFE STI BOARD PROFILE



**ACO FUNKI A/S**  
Kirkevænget 5  
DK-7400 Herning

Tel. +45 9711 9600  
[www.acofunki.com](http://www.acofunki.com)  
[www.egebjerg.com](http://www.egebjerg.com)

## Welsafe path with high posts 240 (245)x280

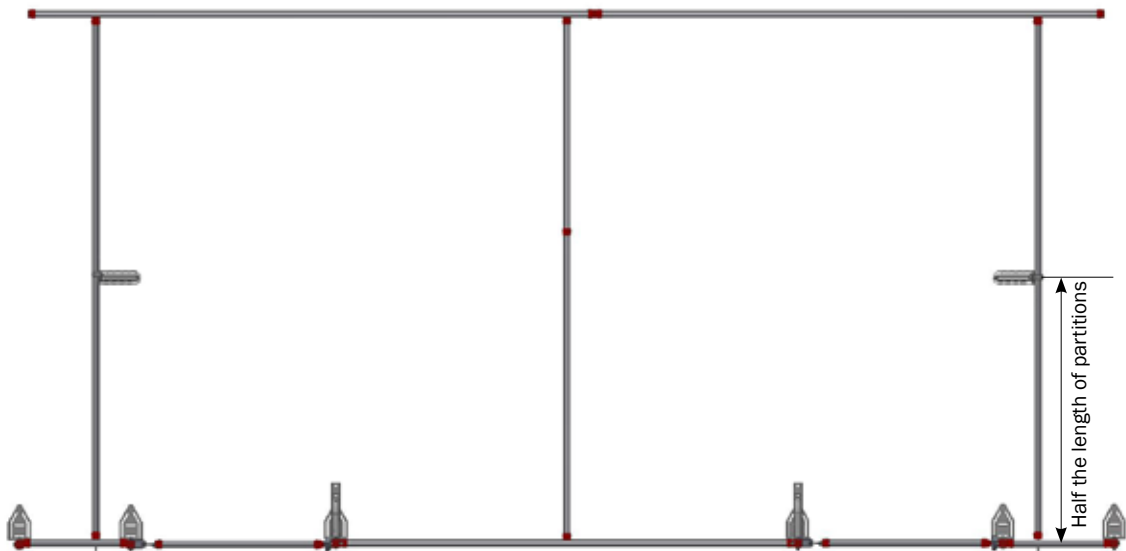


For mounting of farrowing pen, look at : M-6244 Welsafe Crate og M-6245 Welsafe Move

For mounting of water for weaners, look at : M-6208

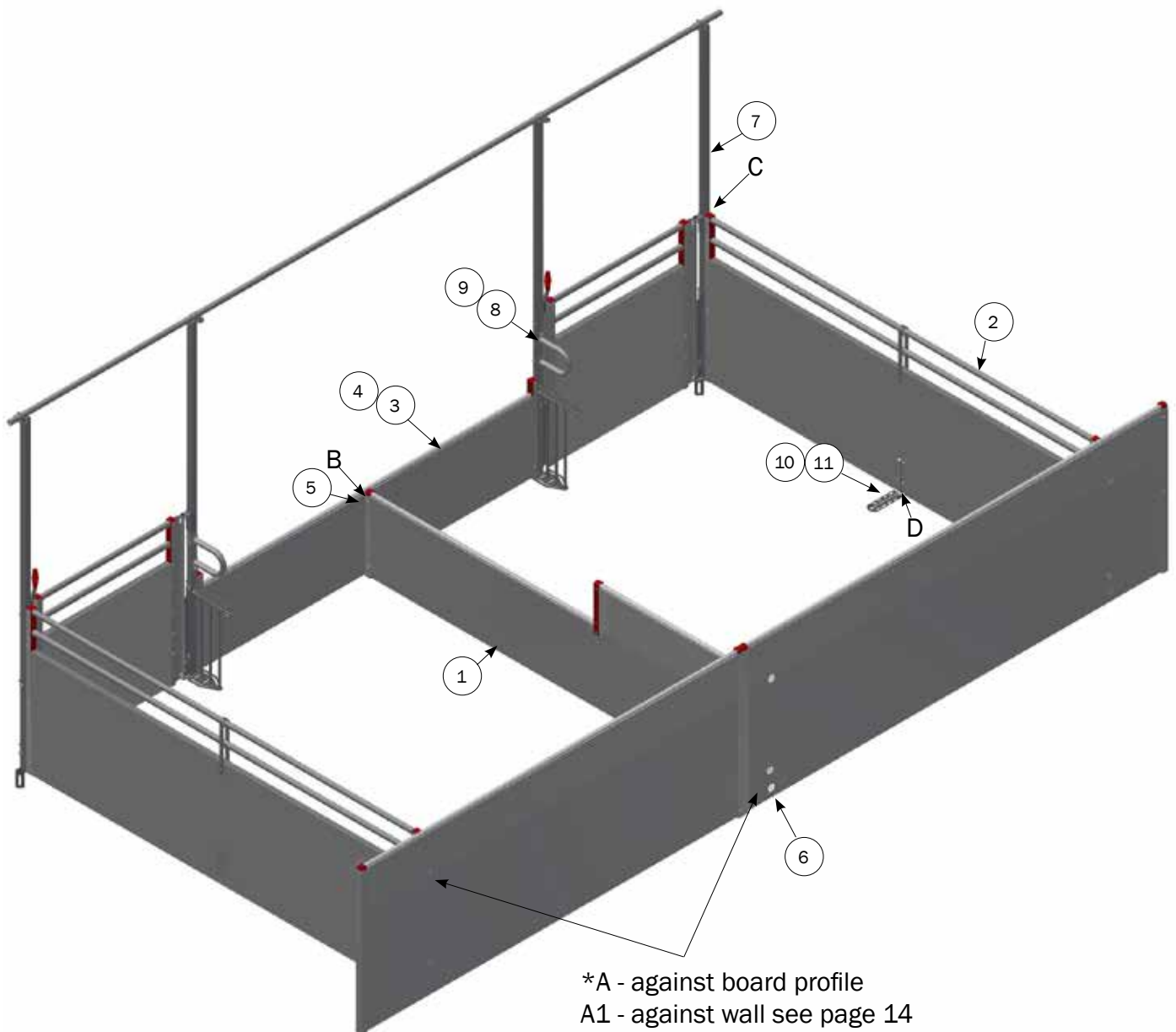
For mounting of piglet nest, look at : M-6228

## Welsafe path with low posts 240-280x280



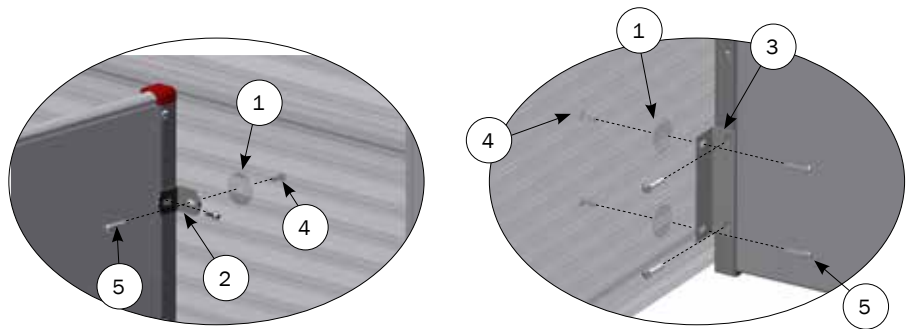
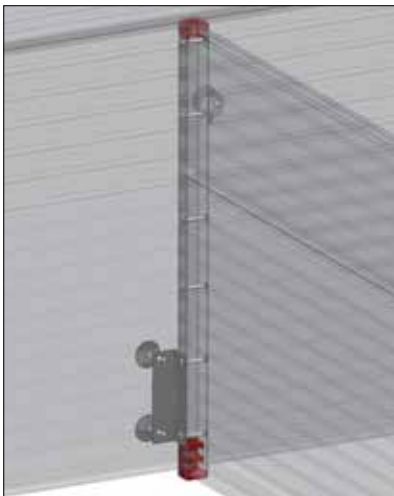
## Welsafe path with high posts

No	Item No	Description
1	2710211	SIDE H500/750 BOARD PROFILE, UPROFILE/UPROFILE, VARIABLE MAX. 2360MM - MIN. 2800MM
2	2710271	SIDE H1000 PROF. BOARD PROFILE/2 BARS FOR HIGH POST
3	2910571	FRONT PART H500 BOARD PROFILE BY DOUBLE PIGLET NEST
4	41981	FRONT PART H500 BOARD PROFILE BY SINGEL PIGLET NEST
5	38518	MOUNTING KIT FOR U-POST H50 SINGLE ON BOARD PROFILE
6	38526	MOUNTING KIT FOR U-POST AGAINST FRONT PART BOARD PROFILE
7	2700055	HIGH POST FOR PARTITION, INCL BOLTS
8	2700062	HIGH POST WITH GRILL KIT FOR FRONT PART BY DOUBLE PIGLET NEST, INCL. BOLT
9	2700130	HIGH POST FOR GATE KIT FOR FRONT PART BY SINGLE PIGLET NEST, AGAINST WALL
10	4900802	SUPPORT FOUNDATION FOR SLATS ON BOARD PROFILE
11	4900806	SUPPORT FOUNDATION FOR CONCRETE ON BOARD PROFILE



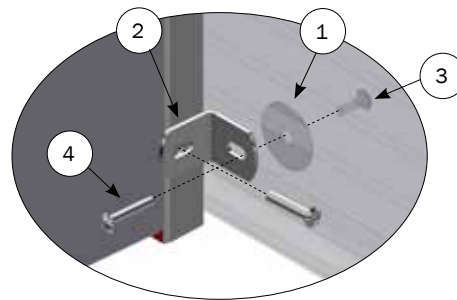
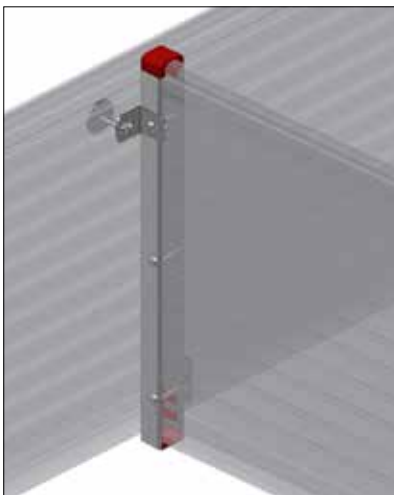
# Installation of board profile and separation against board profile

A



No	Item No	Description	Pcs.
	38526	MOUNTING KIT FOR U-POST AGAINST FRONT PART BOARD PROFILE	
1	20037	MASTER CLAMP WASHER Ø10.5X45X1.5 MM A2	3
2	30900	WALL BRACKET, SMALL	1
3	30901	ANGLE BRACKET, LONG	1
4	39106020	CONNECTION SCREW M6X20 STAINLESS TORX 30	3
5	39206037	SPLICING SLEEVE M6X37 STAINLESS TORX 30	3

B

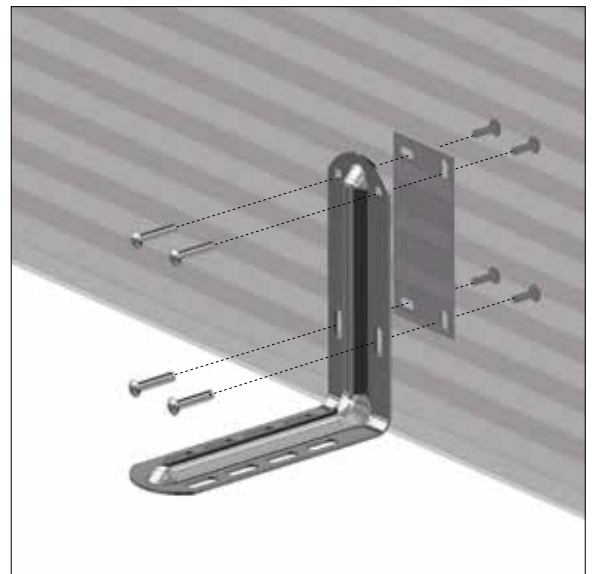


No	Item No	Description	Pcs.
	38518	MOUNTING KIT FOR U-POST H50 SINGLE ON BOARD PROFILE	
1	20037	MASTER CLAMP SKIVER Ø10,5X45X1,5 MM A2	2
2	30900	WALL BRACKET, SMALL	2
3	39106020	CONNECTION SCREW M6X20 STAINLESS TORX 30	2
4	39206037	SPLICING SLEEVE M6X37 STAINLESS TORX 30	2

C

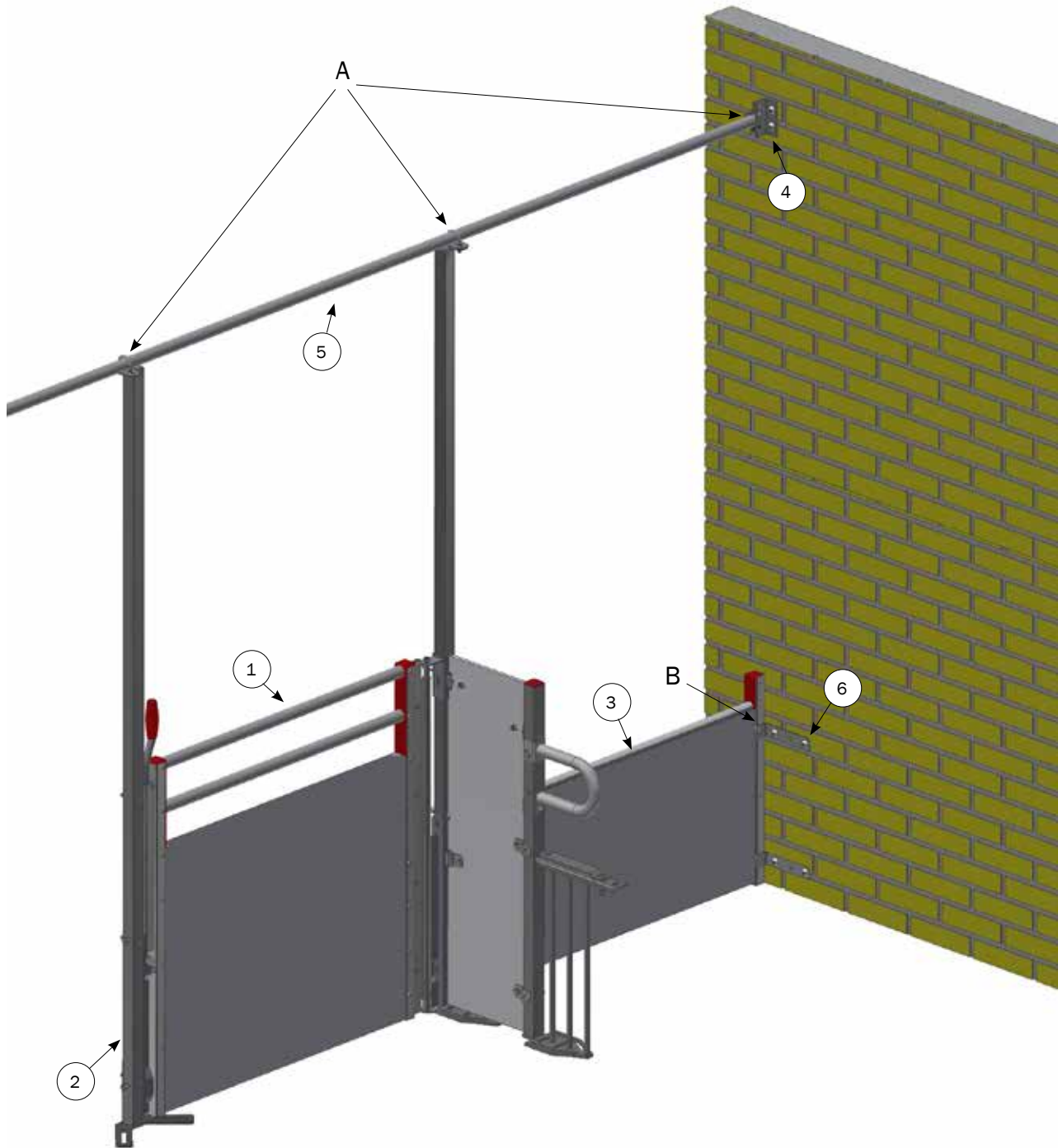


D



○ For parts list see page 4

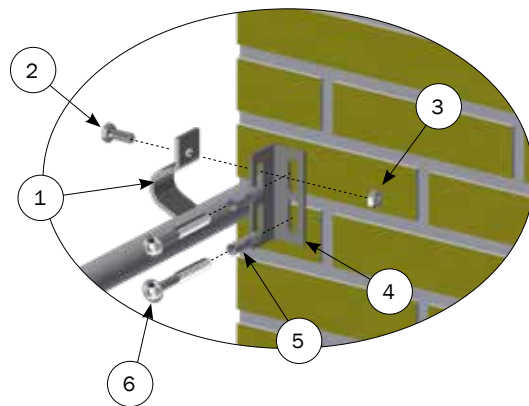
## Installation of stabilization pipes and plate against wall



No	Item No	Description	Pcs.
1	2710280	GATE H1000 BOARD PROFILE/2 BARS 90-130 CM WITH PIN LOCK	1
2	2700055	HIGH POST FOR PARTITION, INCL BOLTS	1
3	41981	FRONT PART H500 BOARD PROFILE BY SINGEL PIGLET NEST	1
4	3900019	FITTING FOR WATERPIPE, COMPLETE	1
5	1900240	PIPE 1" GALVANIZED, 6 METER WITH SPLICING SLEEVE, PRICE PER PIECE, LENGTH 6 METER	0,5m
6	38519	MOUNTING KIT FOR FRONT PART AGAINST WALL	1

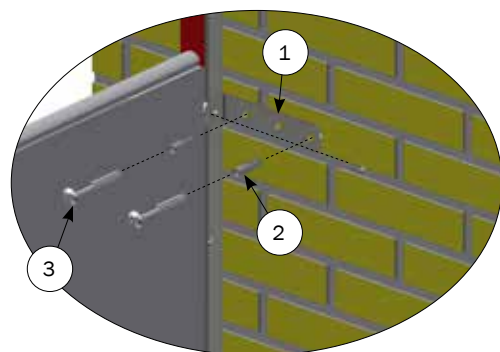
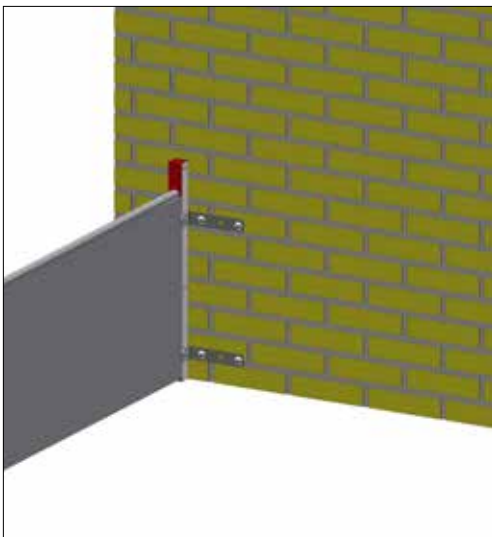
## Installation of stabilisation pipes and front part against wall

A



No	Item No	Description	Pcs.
	3900019	FITTING FOR WATERPIPE, COMPLETE	
1	16375	PIPE RETAINER 1" WITHOUT BOLT	1
2	30310025	SET SCREW M10X25 A2 DIN 933	1
3	33510017	NUT M10 A2 DIN 934 WAXED	1
4	3920096	WALL FITTING FOR WATER PIPE	1
5	39900001	WALL PLUG 12X60 MM	2
6	67444	10 X 70 BUTTON HEAD TORX 50 STAINLESS STEEL	2

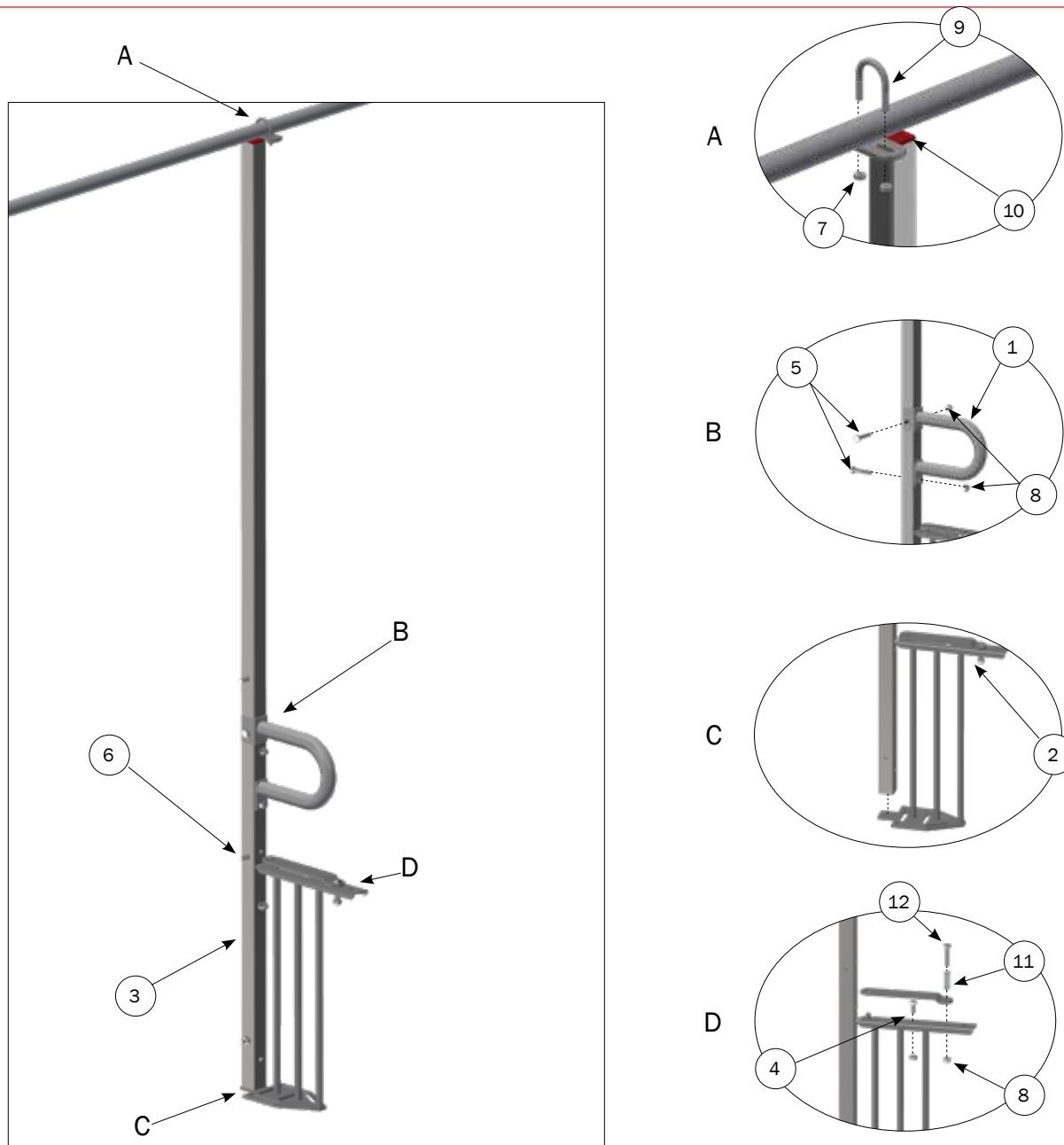
B



No	Item No	Description	Pcs.
	38519	MOUNTING KIT FOR FRONT PART AGAINST WALL	
1	30899	BRACKET FOR WALL LONG	2
2	39900001	WALL PLUG 12X60 MM	4
3	67444	10 X 70 BUTTON HEAD TORX 50 STAINLESS STEEL	4



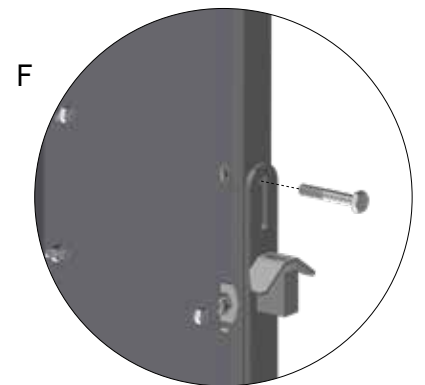
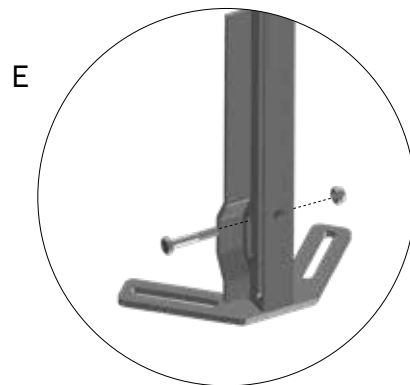
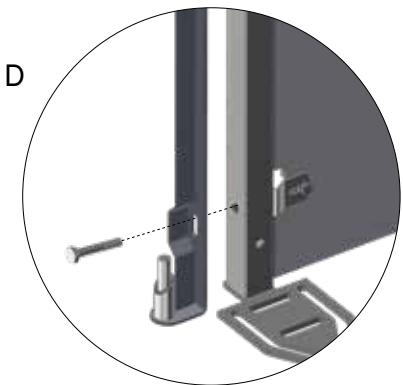
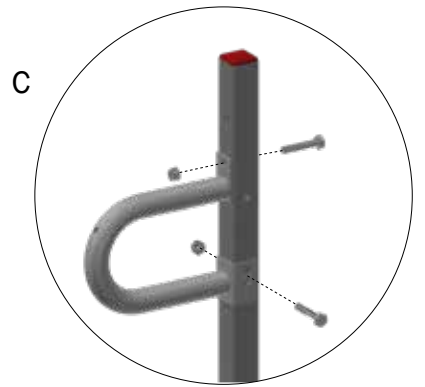
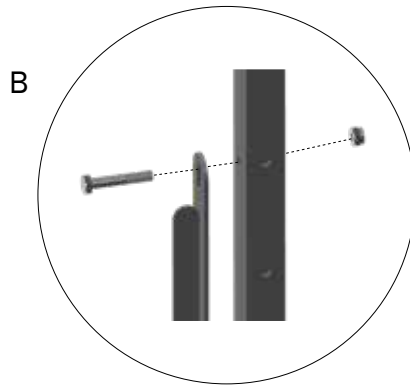
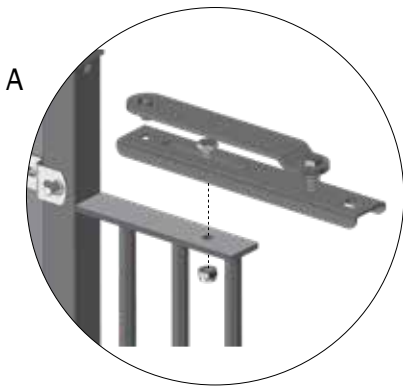
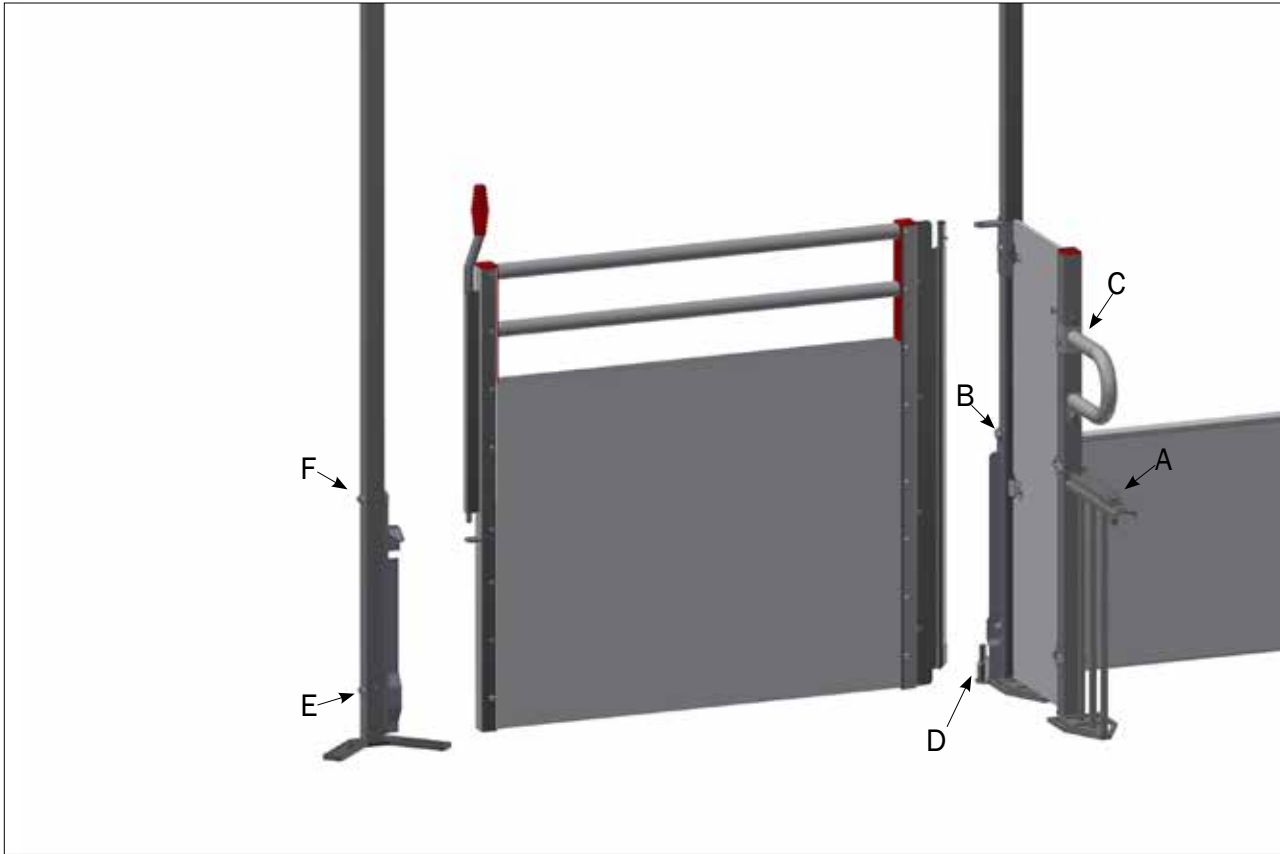
# High posts



No	Item No	Description	Pcs.
	2700095	HIGH POSTS WITH GRILL KIT FOR FRONT PART BY SINGLE PIGLET NEST, INCL. BOLT	
	2700062	HIGH POSTS WITH GRILL KIT FOR FRONT PART BY DOUBLE PIGLET NEST, INCL. BOLT	
1	1620301	GATE STOP	1
2	2710028	UPPER FIXATION BRACKET FOR PIVOTAL SIDE	1
3	2720054	HIGH POST WITH GRILLE	1
4	30310025	SET SCREW M10X25 A2 DIN 933	1
5	32510055	MACHINE BOLT M10X55 A2 DIN 931	2
6	32510060	MACHINE BOLT M10X60 A2 DIN 931	2
7	33208014	NUT M8 HDG DIN 934	2
8	33900029	LOCK NUT M10 A2 DIN 985 WAXED	3
9	90100049	U-BOLT 1" 8X50 MM GALVANIZED	1
10	9960016	CAP 40X30 BLACK	1
11	58535	SPRING 1.5 X 15 X 45.5 MM	1
12	30310050	SET SCREW M10X50 A2 DIN 933	1

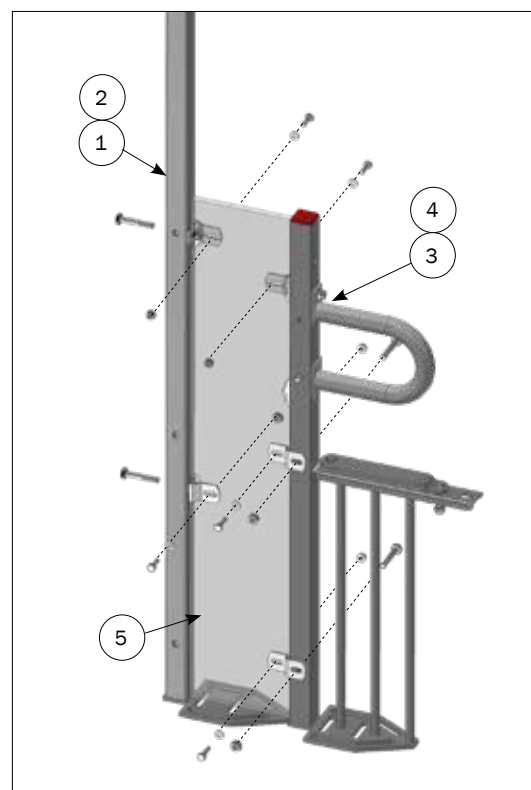
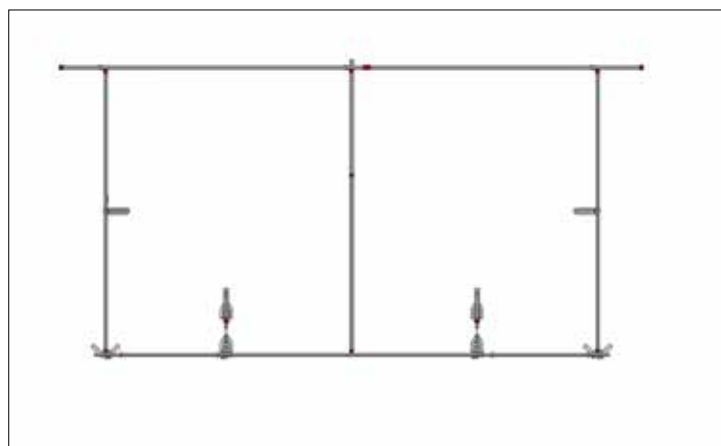
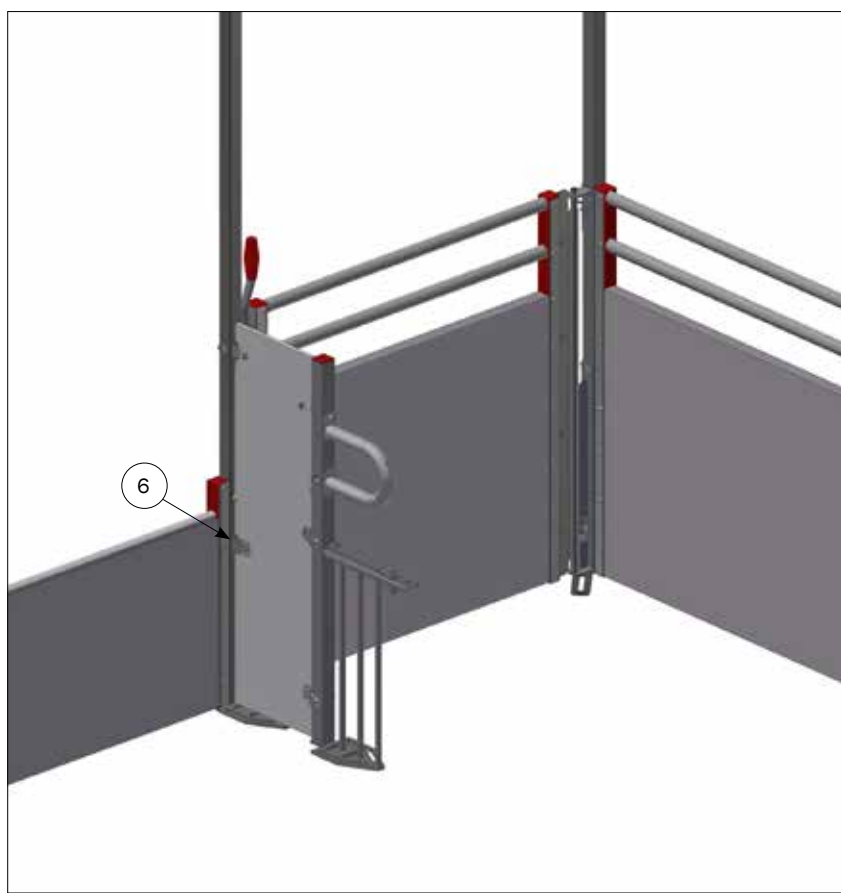


# Installation of high posts



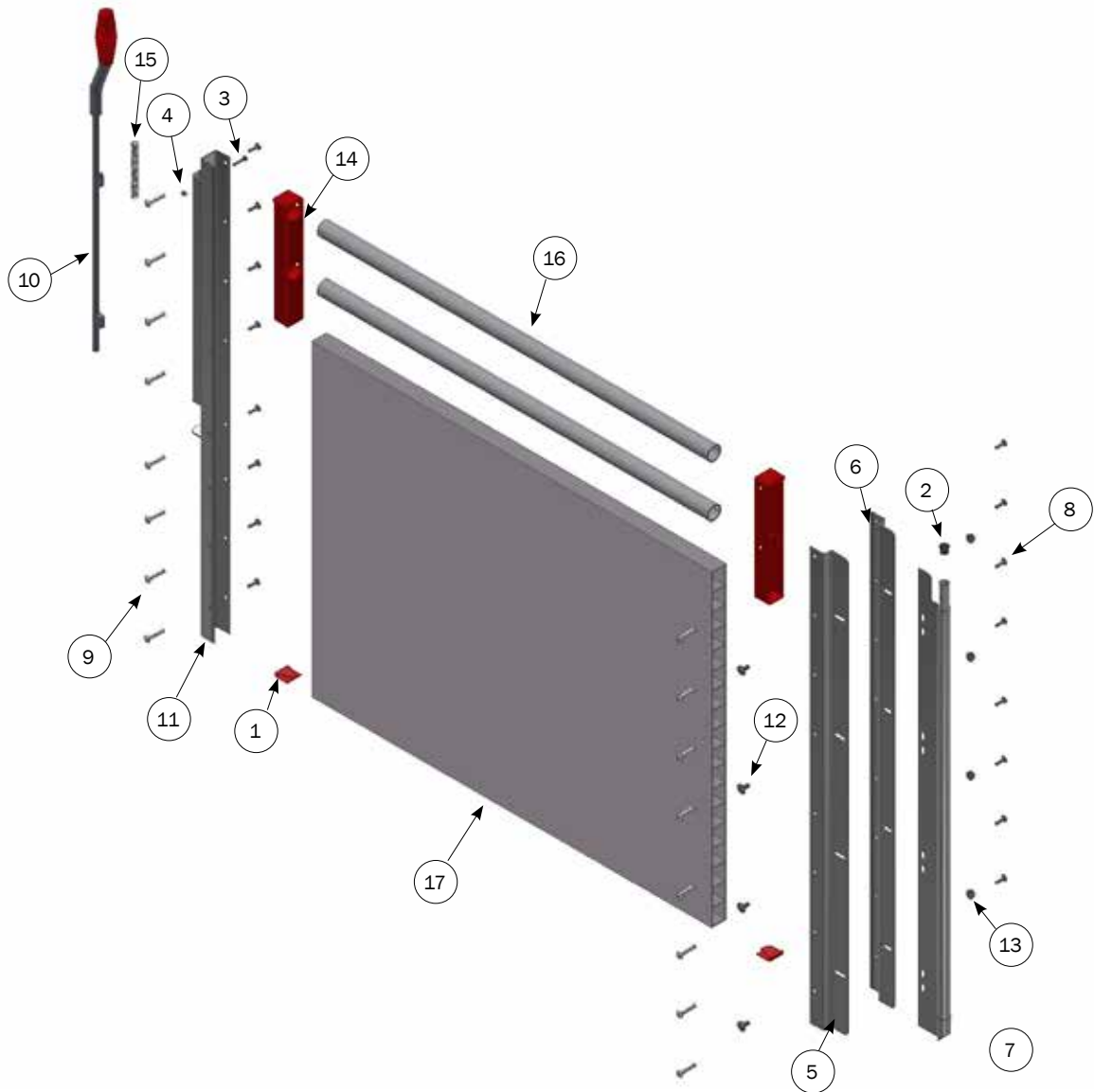
## Extra furniture

In size over 264, extra furniture must be used.



No	Item No	Description	Pcs.
1	2700129	HIGH POSTS FOR GATE KIT FOR FRONT PART BY DOUBLE PIGLET NEST, INCL. BOLT	1
2	2700130	HIGH POSTS FOR GATE KIT FOR FRON TPART BY SINGLE PIGLET NEST, AGAINST WALL	
3	2700063	LOW POSTS WITH GRILL KIT FOR FRON TPART BY DOUBLE PIGLET NEST, INCL. BOLT	1
4	2700096	LOW POSTS WITH GRILL KIT FOR FRONT PART BY SINGLE PIGLET NEST, AGAINST WALL	
5	8470159	EXTENSION PLATE FOR WELSAFE PENS >2.6 TO 2.8 M	1
6	2700221	MOUTING KIT FOR WELSAFE WING EXTENDER	1

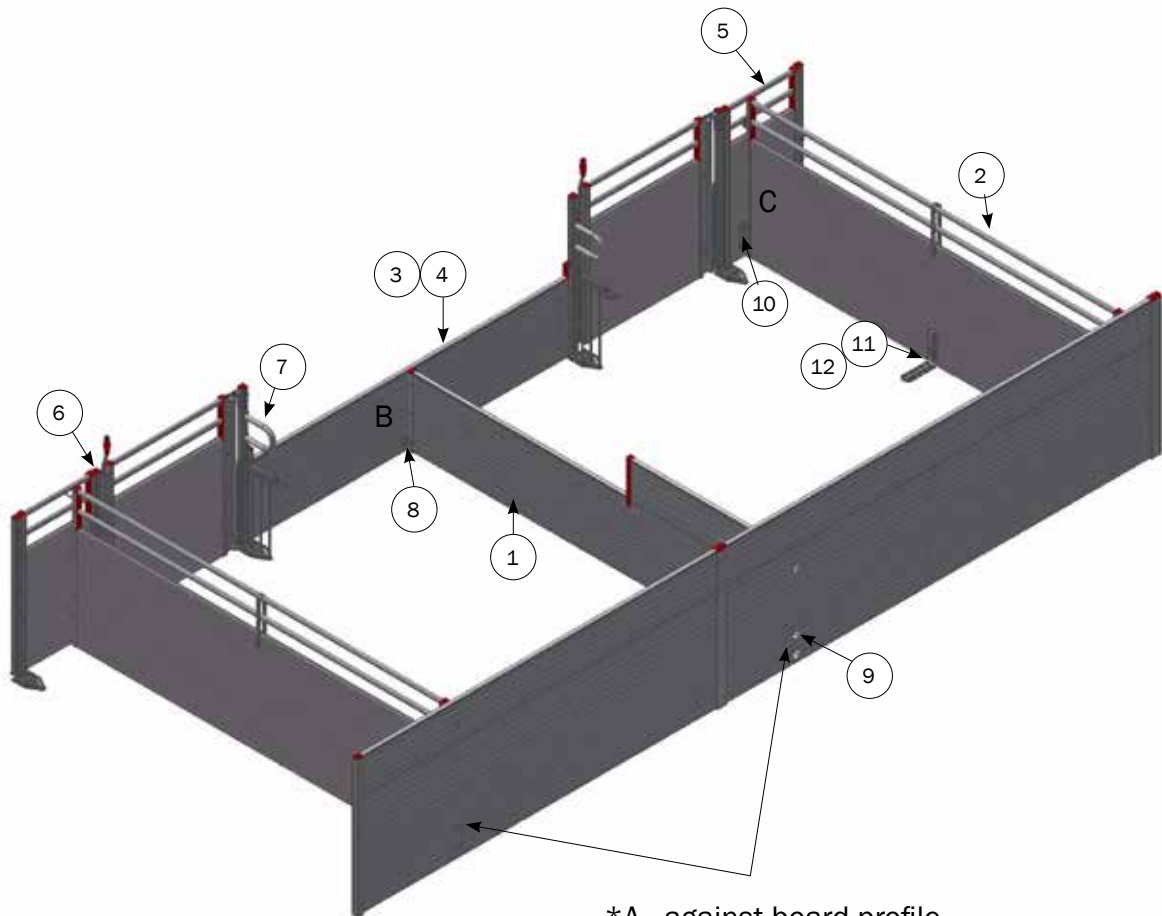
# Doors



No	Item No	Description	Pcs.
	2710280	GATE H1000 BOARD PROFILE/2 BARS 90-130 CM WITH PIN LOCK	
1	8500561	TOP-BOTTOM PLUG FLAT/FLAT BOARD PROFILE	2
2	30077	PLUG Ø18 X 0,8-2,5	1
3	30305025	SET SCREW M5X25 A2 DIN 933	1
4	33905000	LOCK NUT M5 A2 DIN 985	1
5	38811	CLEAN-O-FLEX® Z-RAIL H1000 LEFT	1
6	38812	CLEAN-O-FLEX® Z-RAIL H1000 RIGHT	1
7	38829	HINGE RAIL H100 CM INCL. PEG	1
8	39106020	CONNECTION SCREW M6X20 STAINLESS TORX 30	16
9	39206037	SPLICING SLEEVE M6X37 STAINLESS TORX 30	16
10	4105183	PIN LOCK FOR GATE INCL. GRIP	1
11	4250532	U-POST FOR GATE WITH PIN LOCK	1
12	67323	SET SCREW M8X16 A2	4
13	68552	COLLAR HEAD NUT M8 A2 DIN 6923	4
14	8500552	PLUG FLAT BOARD PROFILE TOP FOR 2 TOP BARS	2
15	9929004	COMPRESSION SPRING 1,6X12X115 MM	1
16	112406	33.7 X 2.60 PIPE GALV. PRICE PER METER, LENGTH 6 METER	2
17	8500328	BOARD PROFILE 750X35 PROF 2800	1



## Welsafe path with low posts

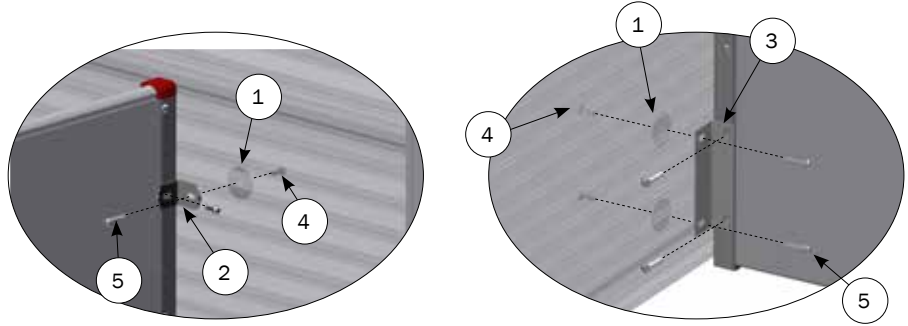
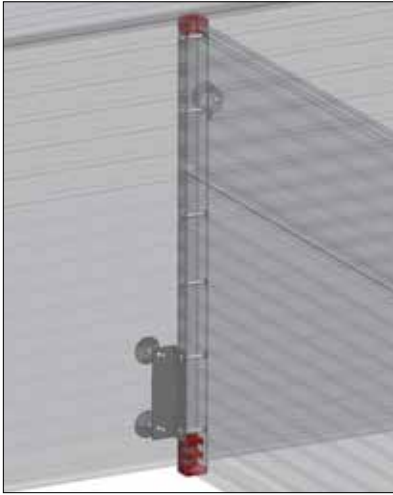


\*A - against board profile  
A1 - against wall see page 14

No	Item No	Description
1	2710211	SIDE H500/750 BOARD PROFILE, U-PROFILE/U-PROFILE, VARIABLE MAX. 2560 MM - MIN. 2360 MM
2	2710271	SIDE H1000 PROF. BOARD PROFILE/2 BARS FOR HIGH POST
3	2910571	FRONT PART H500 BOARD PROFILE BY DOUBLE PIGLET NEST
4	41981	FRONT PART H500 BOARD PROFILE BY SINGEL PIGLET NEST
5	2710250	FRONT PART H1000 PROF. BOARD PROFILE/2 BARS FOR POST, OPPOSITE PIGLET NEST
6	2700275	2 LOW POSTS FOR FRONT PART INCL. BOLTS
7	2700063	LOW POSTS WITH GRILL KIT FOR FRONT PART BY DOUBLE PIGLET NEST, INCL. BOLT
8	38518	MOUNTING KIT FOR U-POST H50 SINGLE ON BOARD PROFILE
9	38526	MOUNTING KIT FOR U-POST AGAINST FRONT PART BOARD PROFILE
10	38527	MOUNTING KIT FOR U-POST AGAINST FRONT PART BOARD PROFILE/BARS
11	4900802	SUPPORT FOUNDATION FOR SLATS ON BOARD PROFILE
12	4900806	SUPPORT FOUNDATION FOR CONCRETE ON BOARD PROFILE

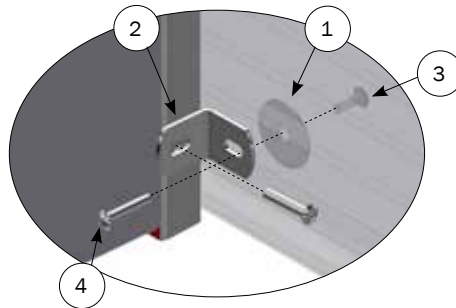
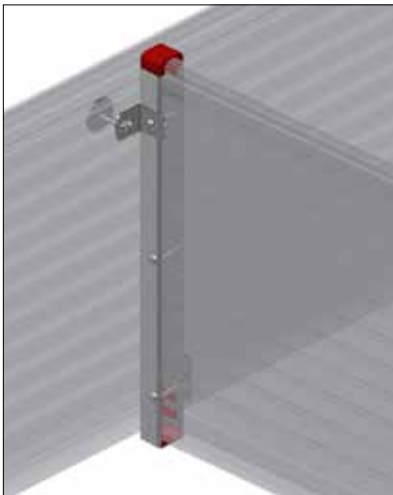
# Installation of board profile and separation against board profile

A

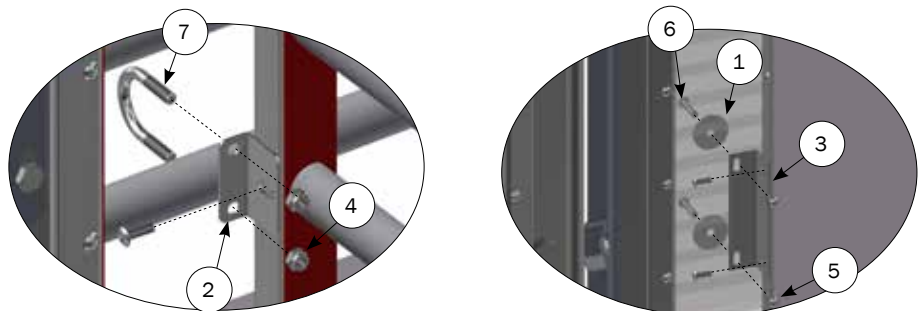
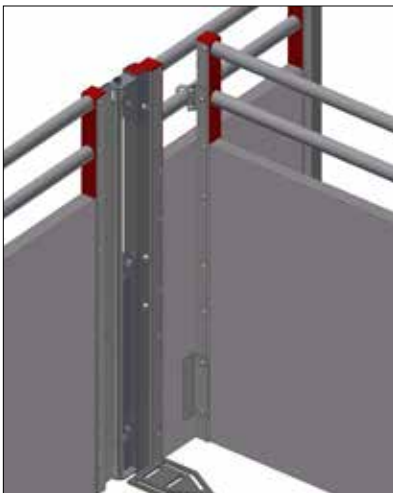


No	Item No	Description	Pcs.
	38526	MOUNTING KIT FOR U-POST AGAINST FRONT PART BOARD PROFILE	
1	20037	MASTER CLAMP WASHER Ø10.5X45X1.5 MM A2	3
2	30900	WALL BRACKET, SMALL	1
3	30901	ANGLE BRACKET, LONG	1
4	39106020	CONNECTION SCREW M6X20 STAINLESS TORX 30	3
5	39206037	SPLICING SLEEVE M6X37 STAINLESS TORX 30	3

B



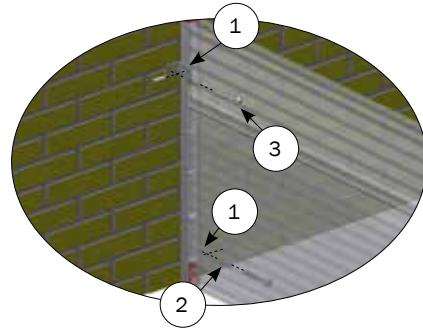
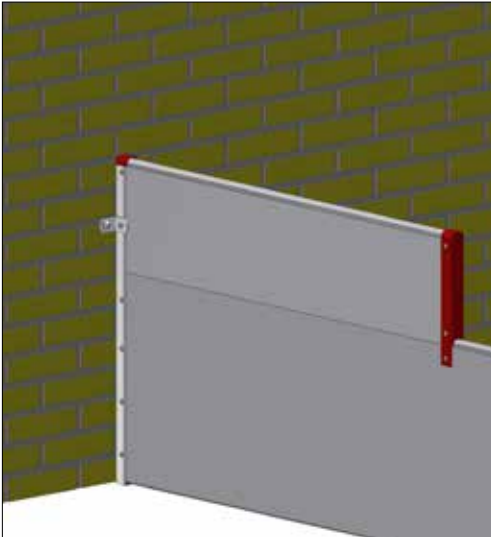
No	Item No	Description	Pcs.
	38518	MOUNTING KIT FOR U-POST H50 SINGLE ON BOARD PROFILE	
1	20037	MASTER CLAMP WASHER Ø10.5X45X1.5 MM A2	2
2	30900	WALL BRACKET, SMALL	2
3	39106020	CONNECTION SCREW M6X20 STAINLESS TORX 30	2
4	39206037	SPLICING SLEEVE M6X37 STAINLESS TORX 30	2



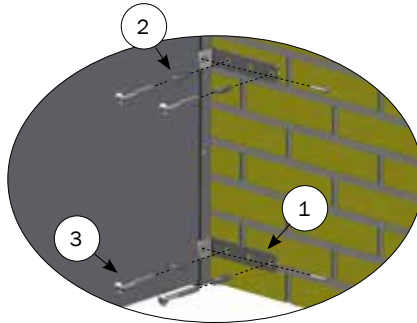
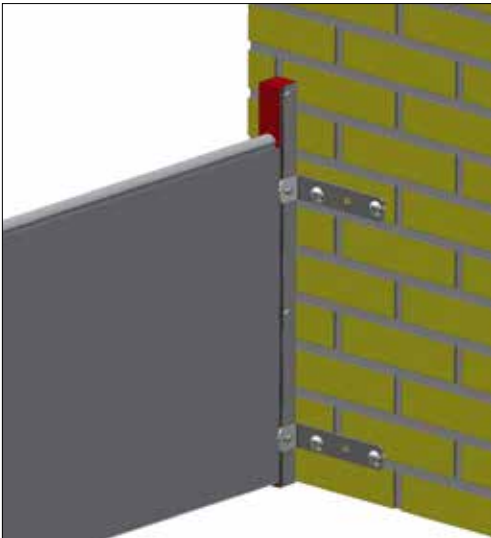
No	Item No	Description	Pcs.
	38527	MOUNTING KIT FOR U-POST AGAINST FRONT PART BOARD PROFILE/BARS	
1	20037	MASTER CLAMP WASHER Ø10.5X45X1.5 MM A2	2
2	30898	ANGLE BRACKET FOR TOPBAR, SMALL	1
3	30901	ANGLE BRACKET, LONG	1
4	33908001	LOCK NUT M8 A2 DIN 985 WAXED	2
5	39106020	CONNECTION SCREW M6X20 STAINLESS TORX 30	2
6	39206037	SPLICING SLEEVE M6X37 STAINLESS TORX 30	2
7	90100062	U-BOLT 1" M8 STAINLESS STEEL	1

# Installation of front part and separation against wall

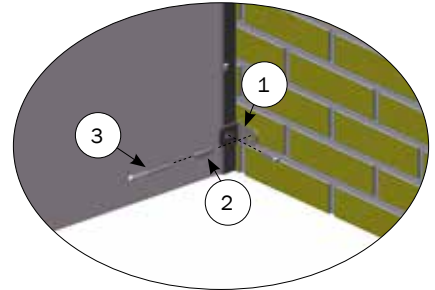
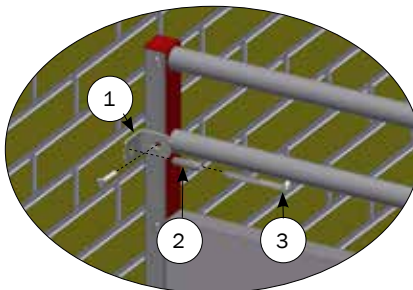
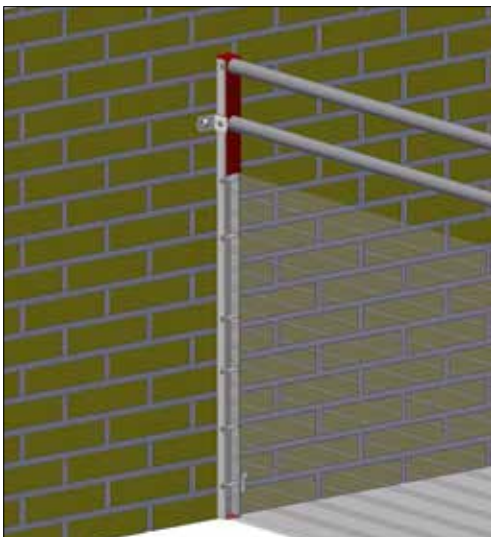
A1



No	Item No	Description	Pcs.
	38520	MOUNTING KIT FOR U-POST AGAINST WALL	
1	30906	WALL BRACKET ANGLE/PARTITION	2
2	39900001	WALL PLUG 12X60 MM	2
3	6744	10 X 70 BUTTON HEAD TORX 50 STAINLESS STEEL	2



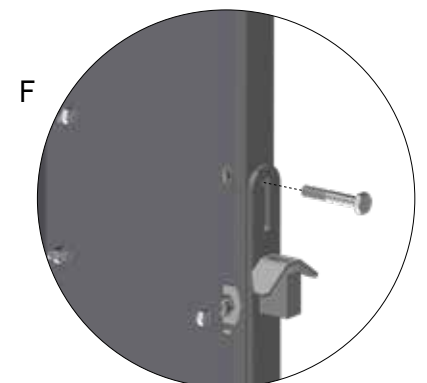
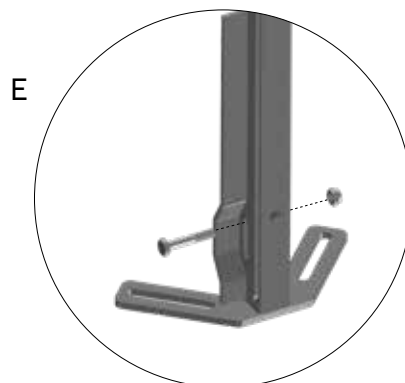
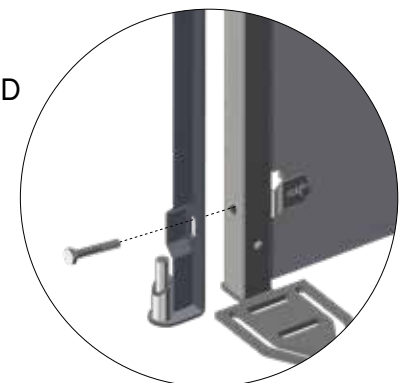
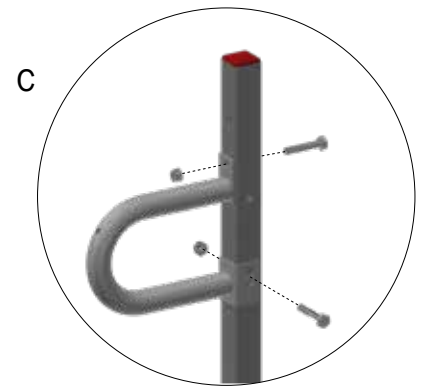
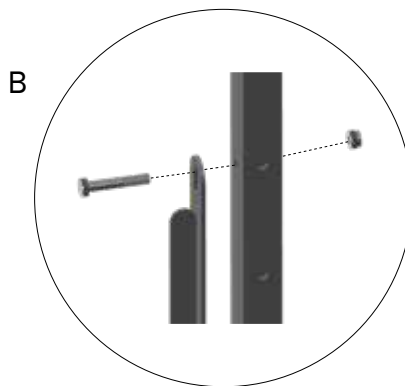
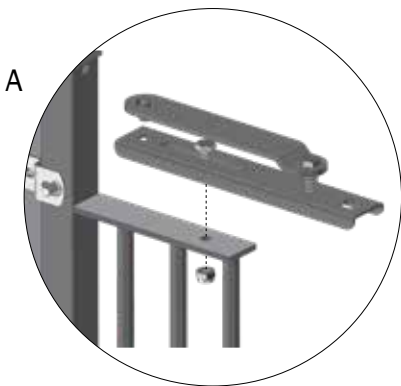
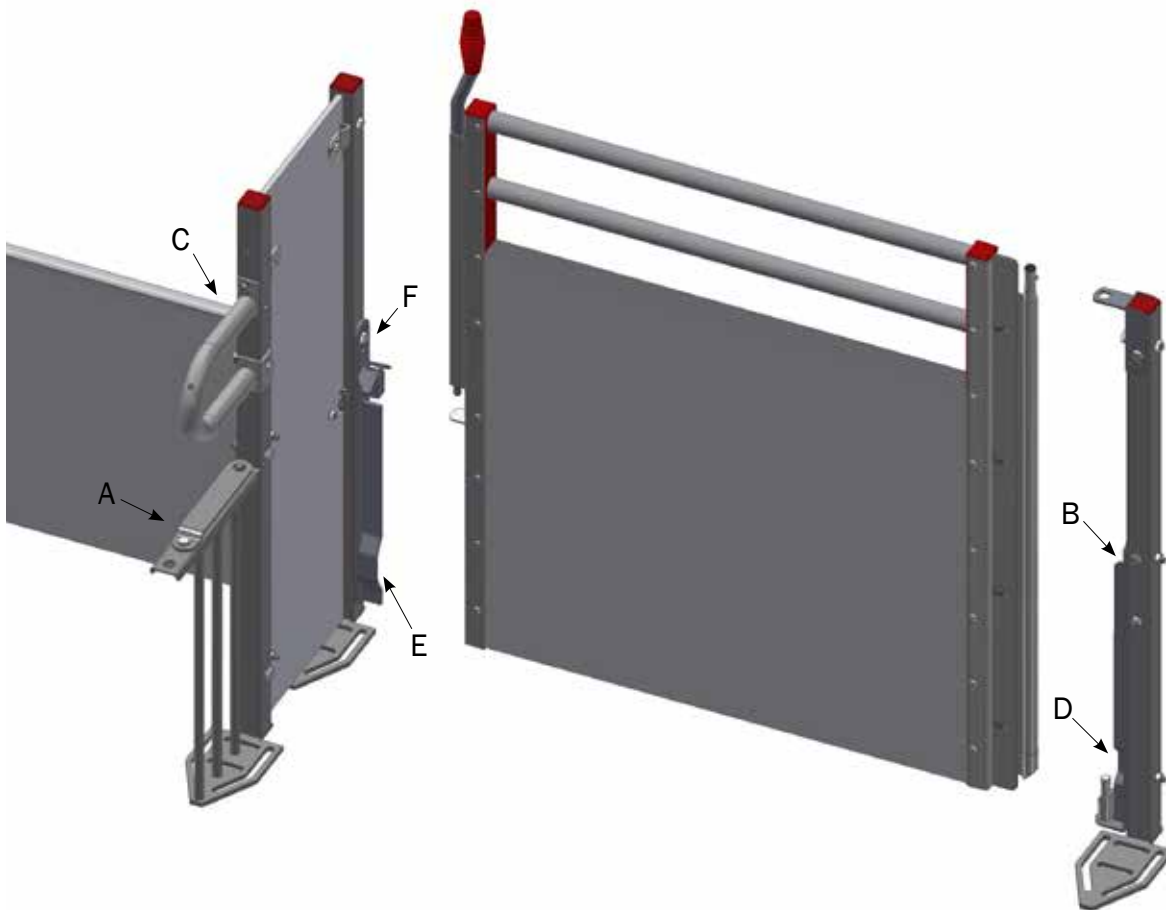
No	Item No	Description	Pcs.
	38519	MOUNTING KIT FOR FRONT PART AGAINST WALL	
1	30899	BRACKET FOR WALL LONG	2
2	39900001	WALL PLUG 12X60 MM	4
3	6744	10 X 70 BUTTON HEAD TORX 50 STAINLESS STEEL	4



No	Item No	Description	Pcs.
	38520	MOUNTING KIT FOR U-POST AGAINST WALL	
1	30906	WALL BRACKET ANGLE/PARTITION	2
2	39900001	WALL PLUG 12X60 MM	2
3	6744	10 X 70 BUTTON HEAD TORX 50 STAINLESS STEEL	2

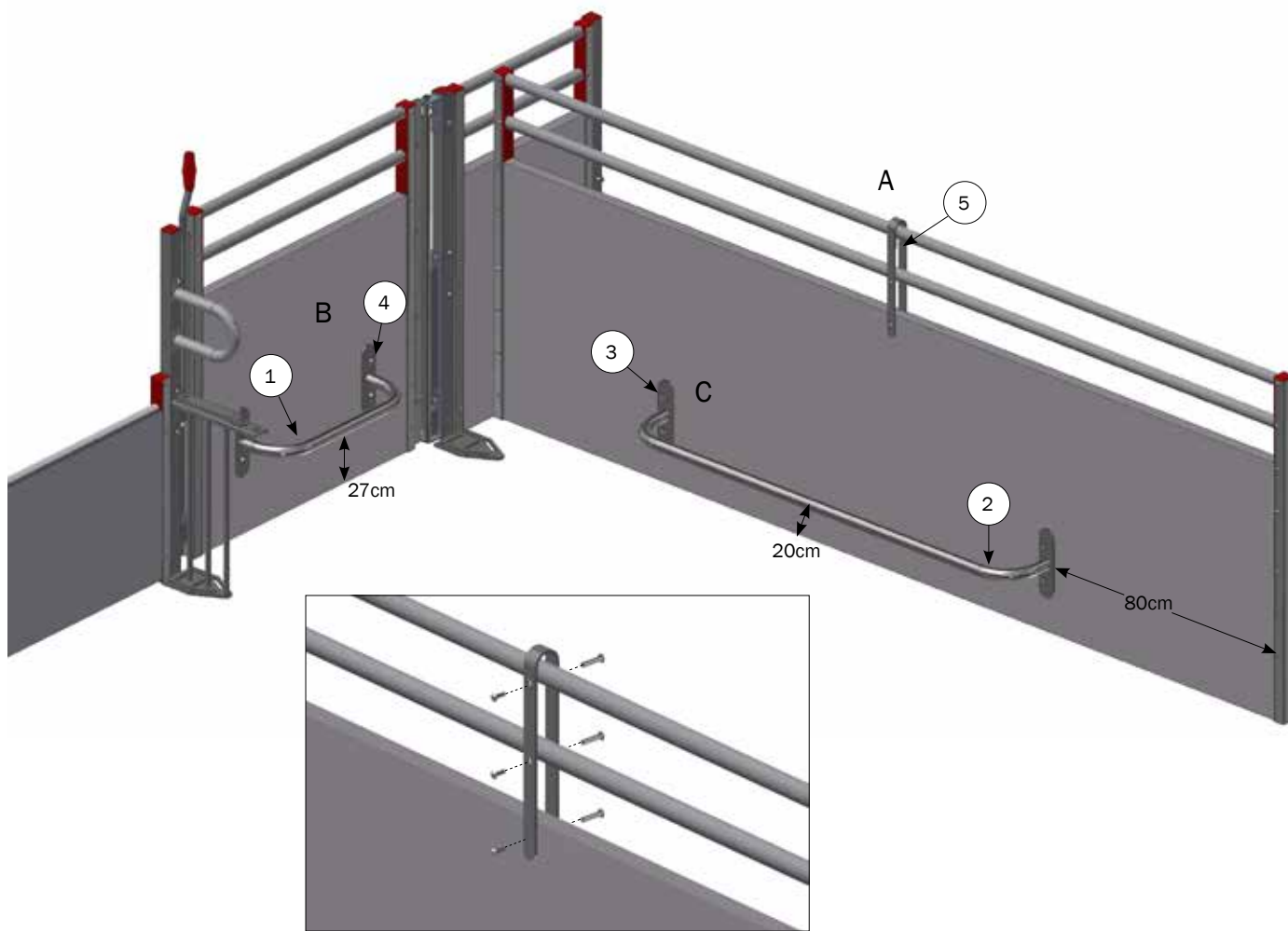


# Installation of low posts

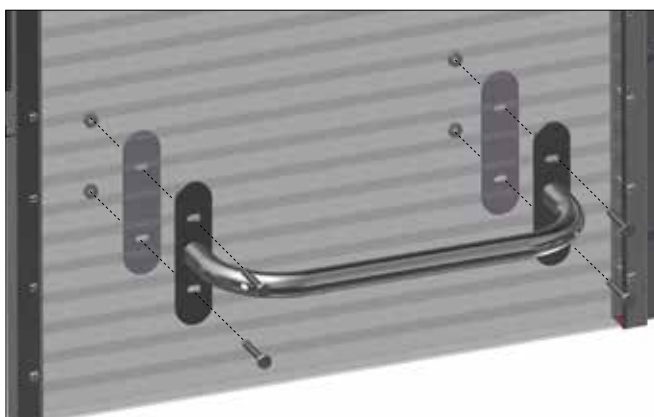




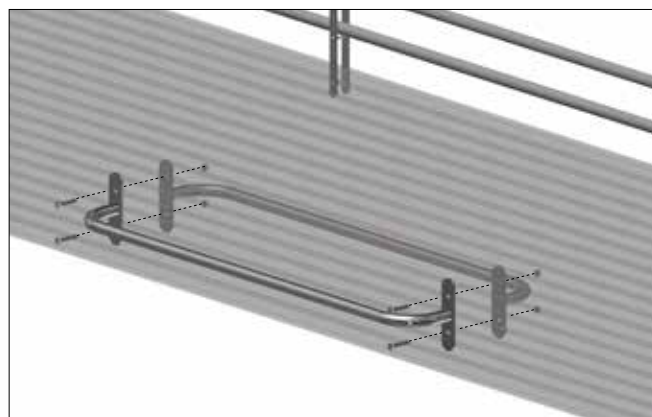
# Safeguard bar



A



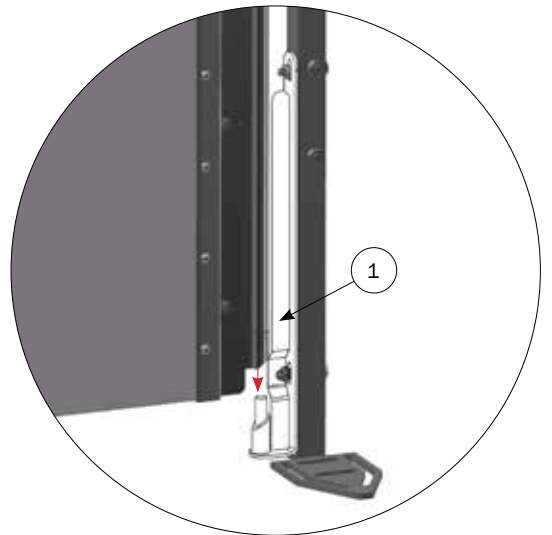
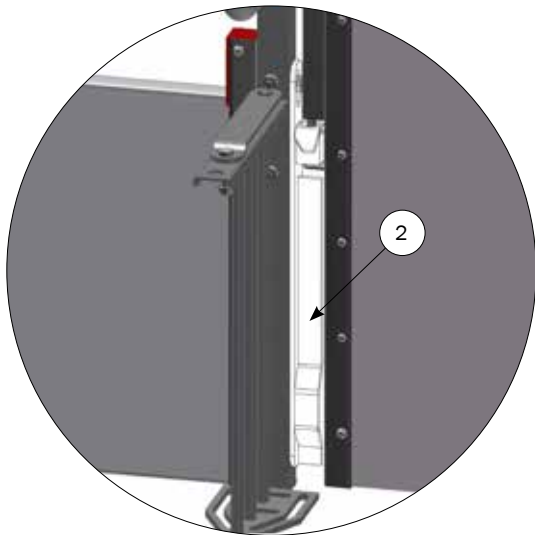
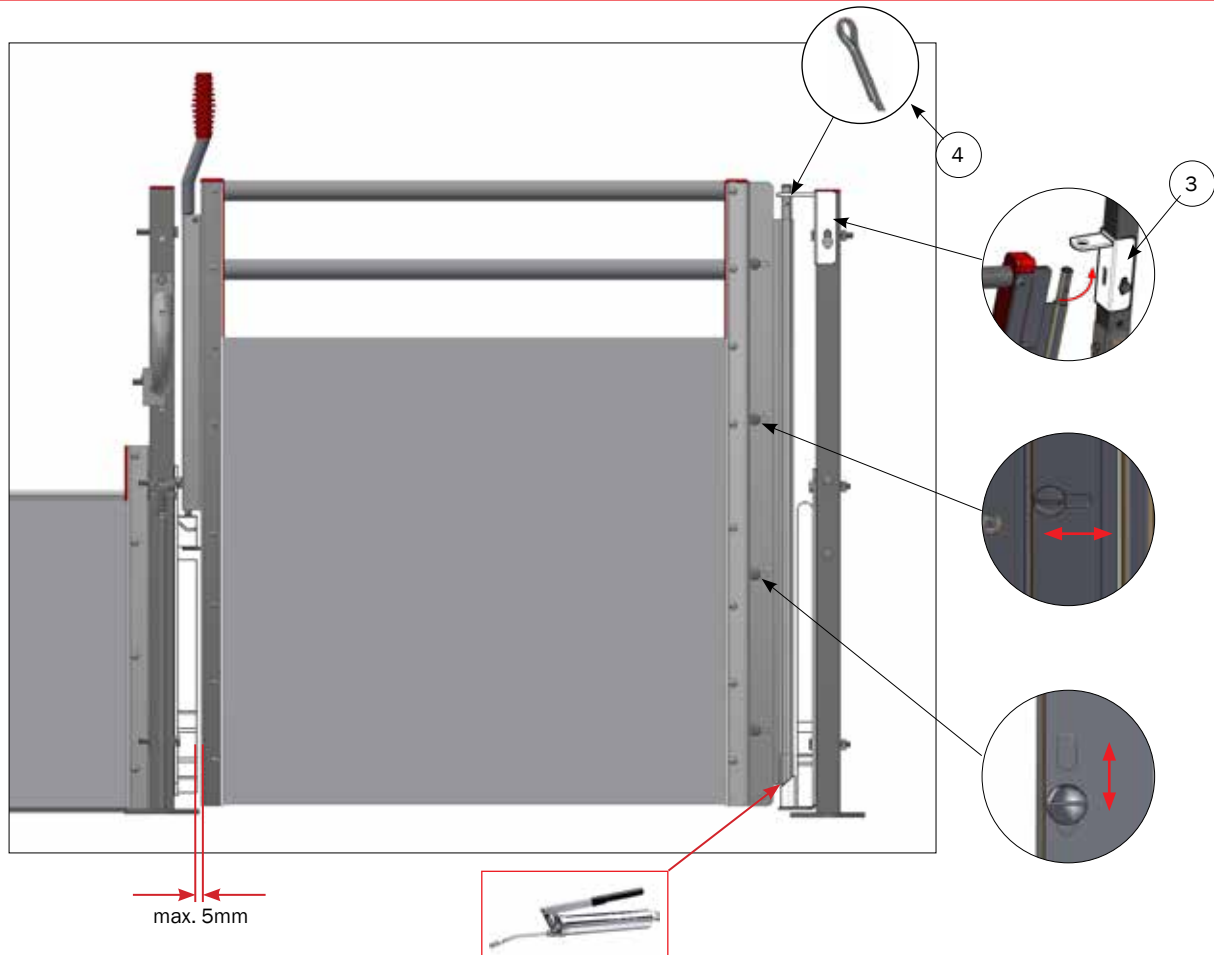
B



C

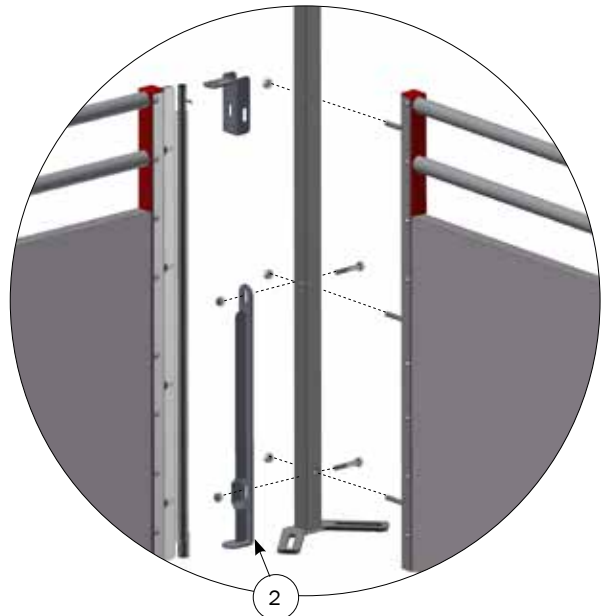
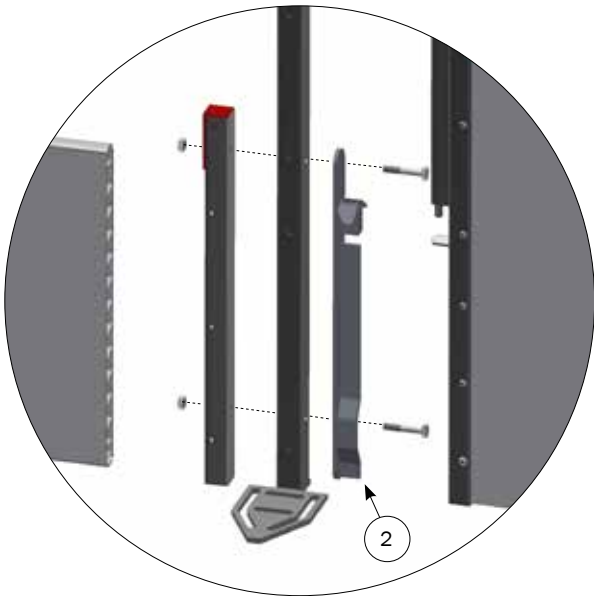
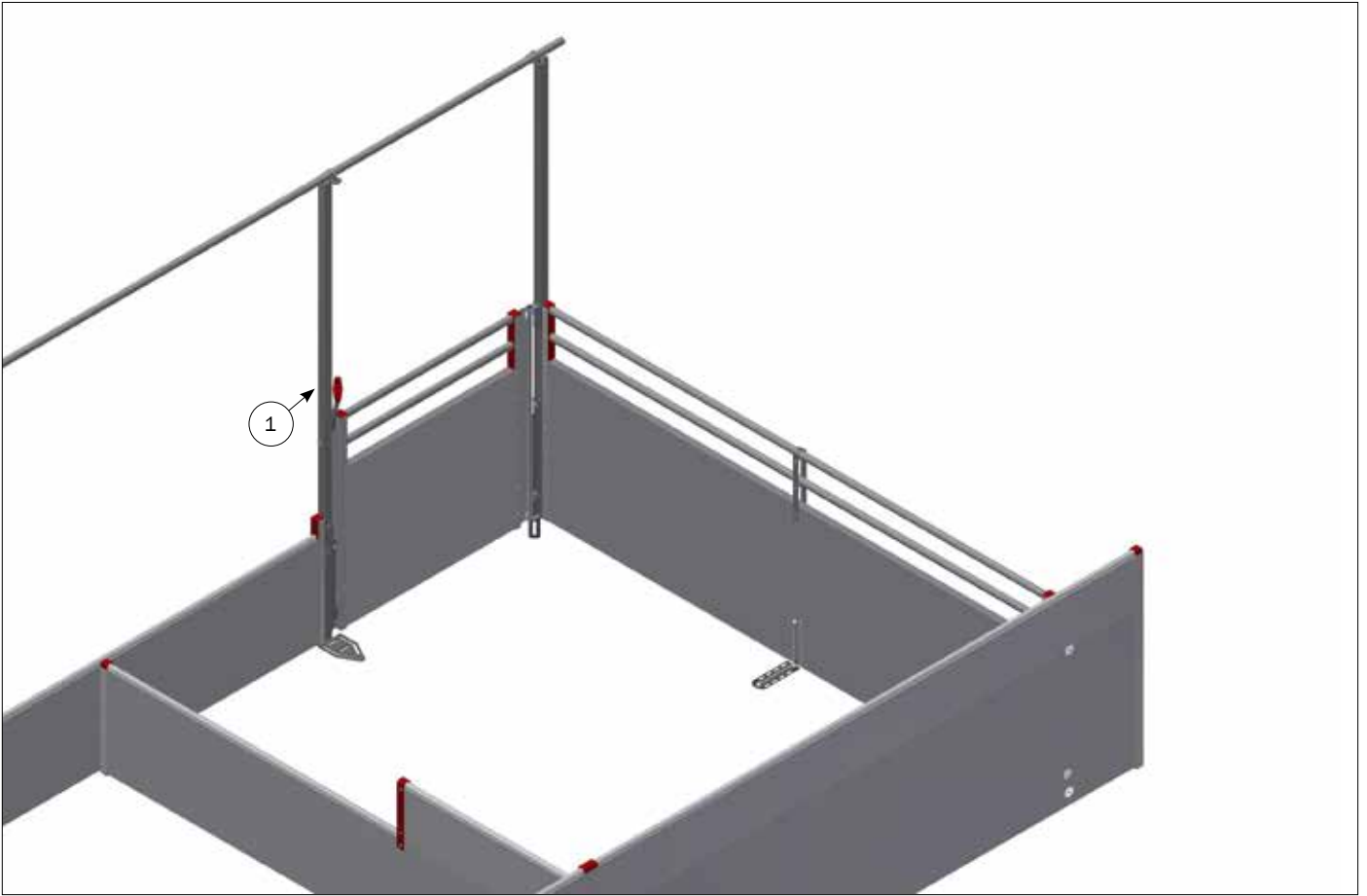
No	Item No	Description	Pcs.
1	2720013	SAFEGUARD BAR 55 CM	1
2	2720014	SAFEGUARD BAR 138 CM	1
3	45557	MOUNTING KIT FOR SAFEGUARD BARS WELSAFE DOUBLE ON BOARD PROFILE	1
4	45558	MOUNTING KIT SAFEGUARD BARS SINGLE ON BOARD PROFILE	1
5	4900331	SUPPORT FOR 35 MM BOARD PROFILE AND BARS, INCL SCREWS	1

# Doors



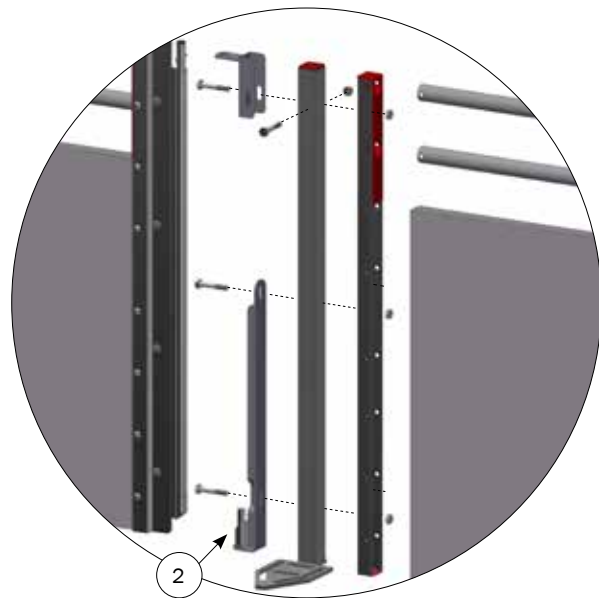
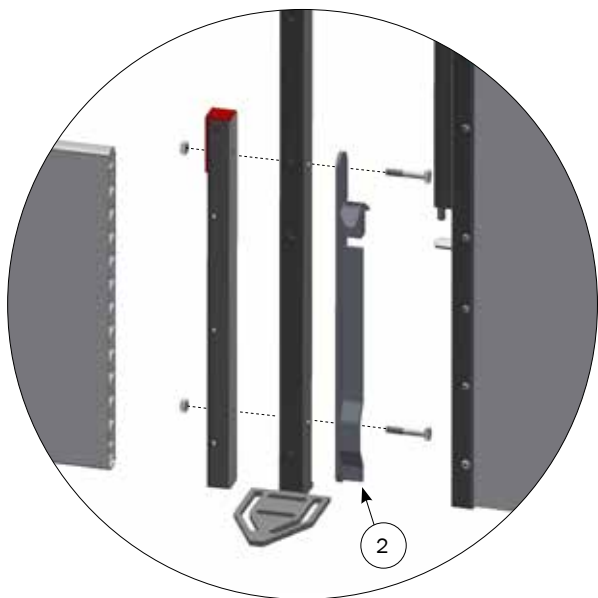
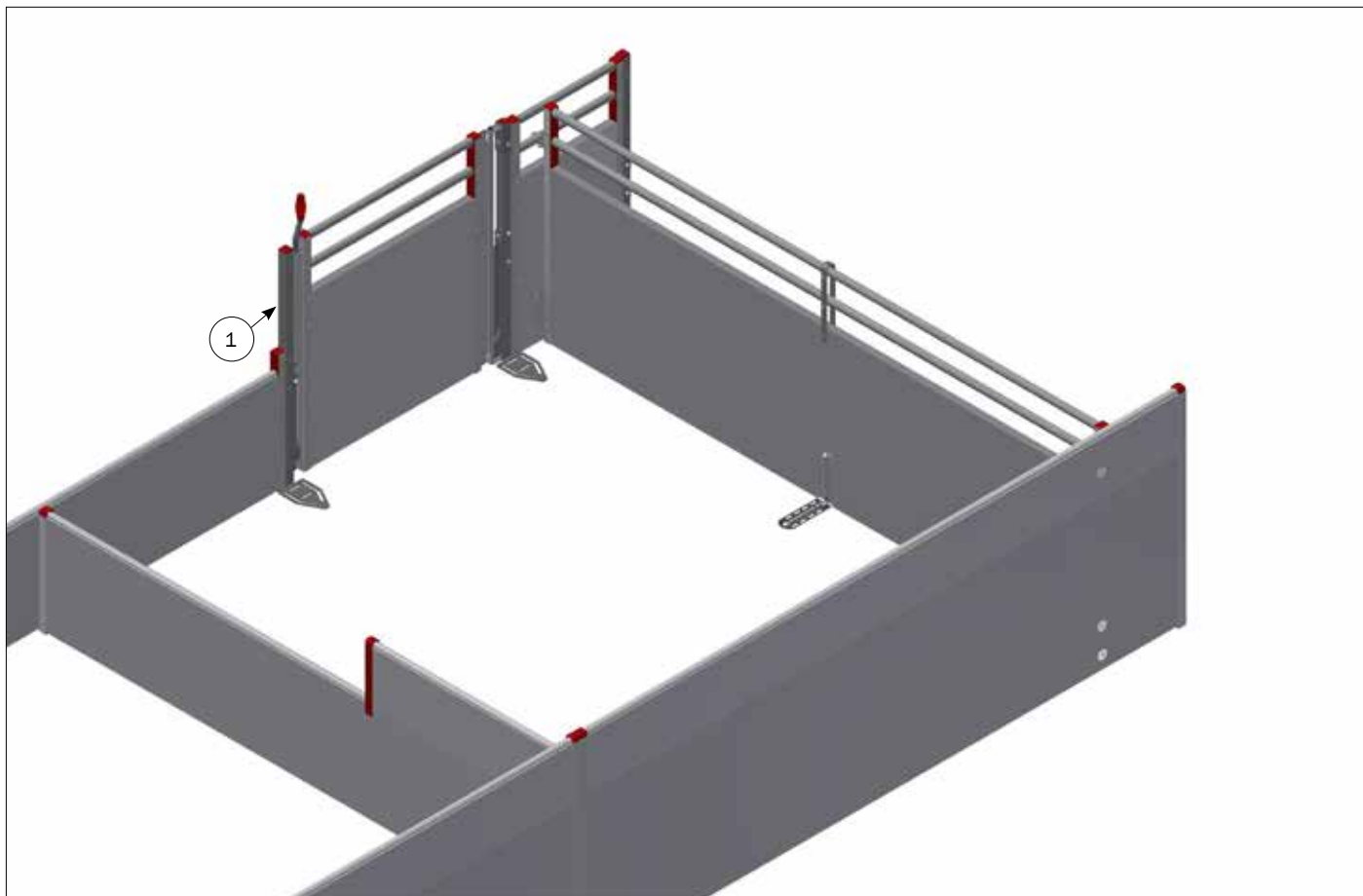
No	Item No	Description	Pcs.
	2700278	MOUNTING KIT FOR GATE WITH PIN LOCK	
1	17363E	LOWER DOOR BRACKET COF FOR 50X50 POST	1
2	2920573	MONTAGER BESLAG FOR LÅGE MED PIN LÅS	1
3	2950572	UPPER GATE BRACKET 40X40 POST	1
4	35900095	SPLIT PINS 4X40 MM A2 DIN 94	1

## High posts for welsafe move



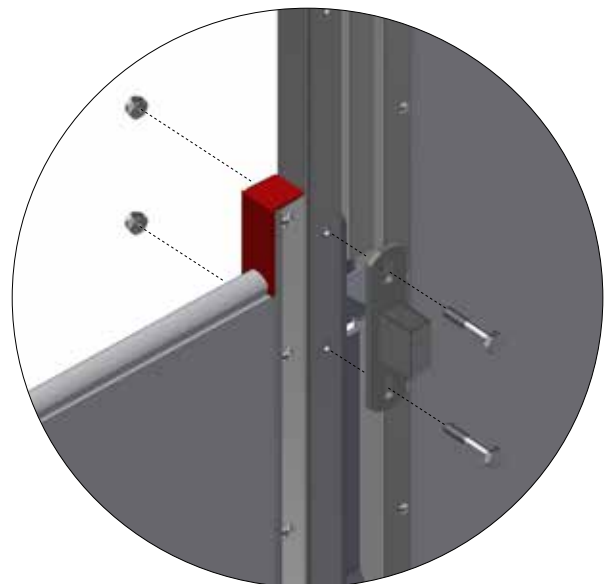
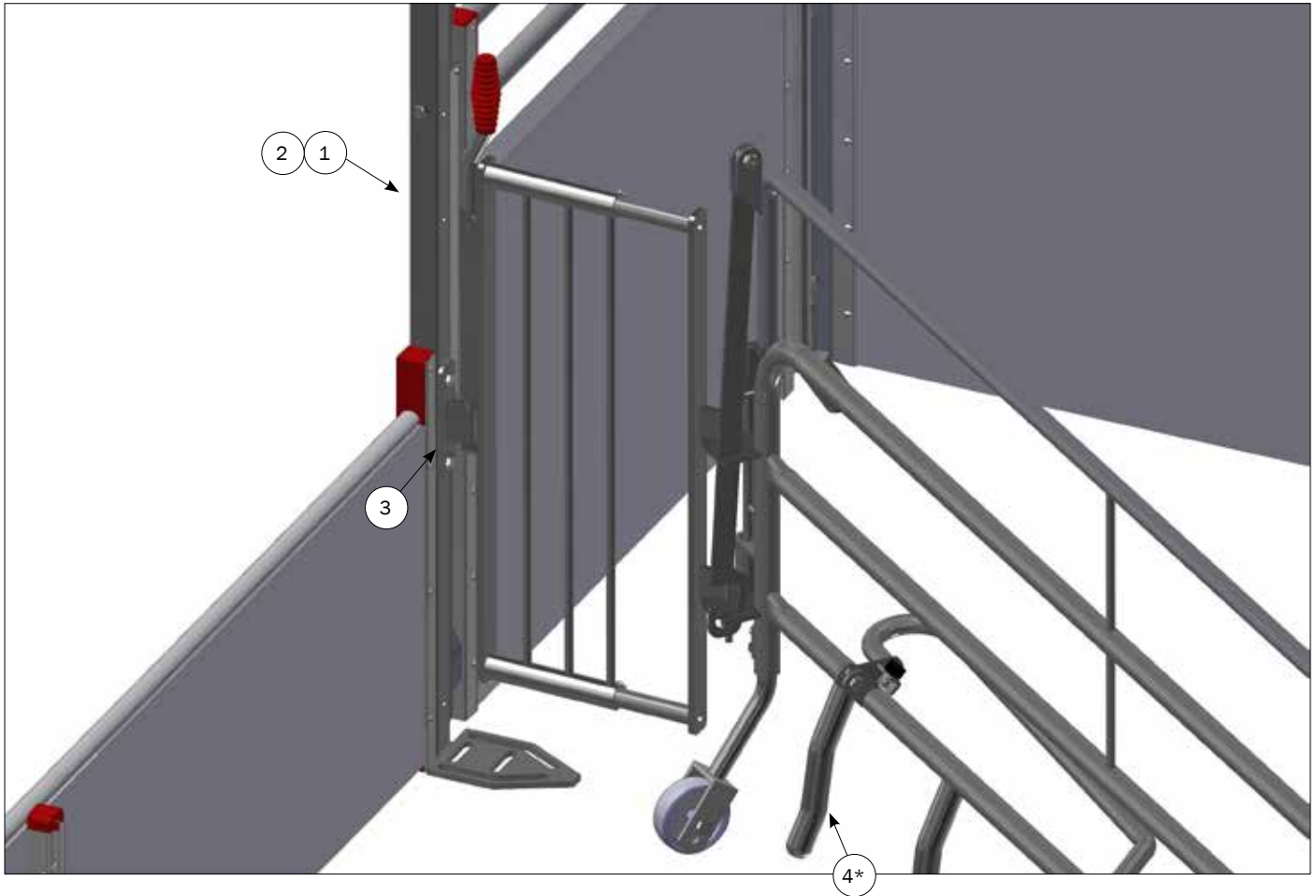
No	Item No	Description	Pcs.
1	2700129	HIGH POSTS FOR GATE KIT FOR FRONT PART BY DOUBLE PIGLET NEST, INCL. BOLT	1
2	2700278	MOUNTING KIT FOR GATE WITH PIN LOCK	1

## Low posts for welsafe move



No	Item No	Description	Pcs.
1	2700275	2 LOW POSTS FOR FRONT PART INCL. BOLTS	1
2	2700278	MOUNTING KIT FOR GATE WITH PIN LOCK	1

## Door holder on posts



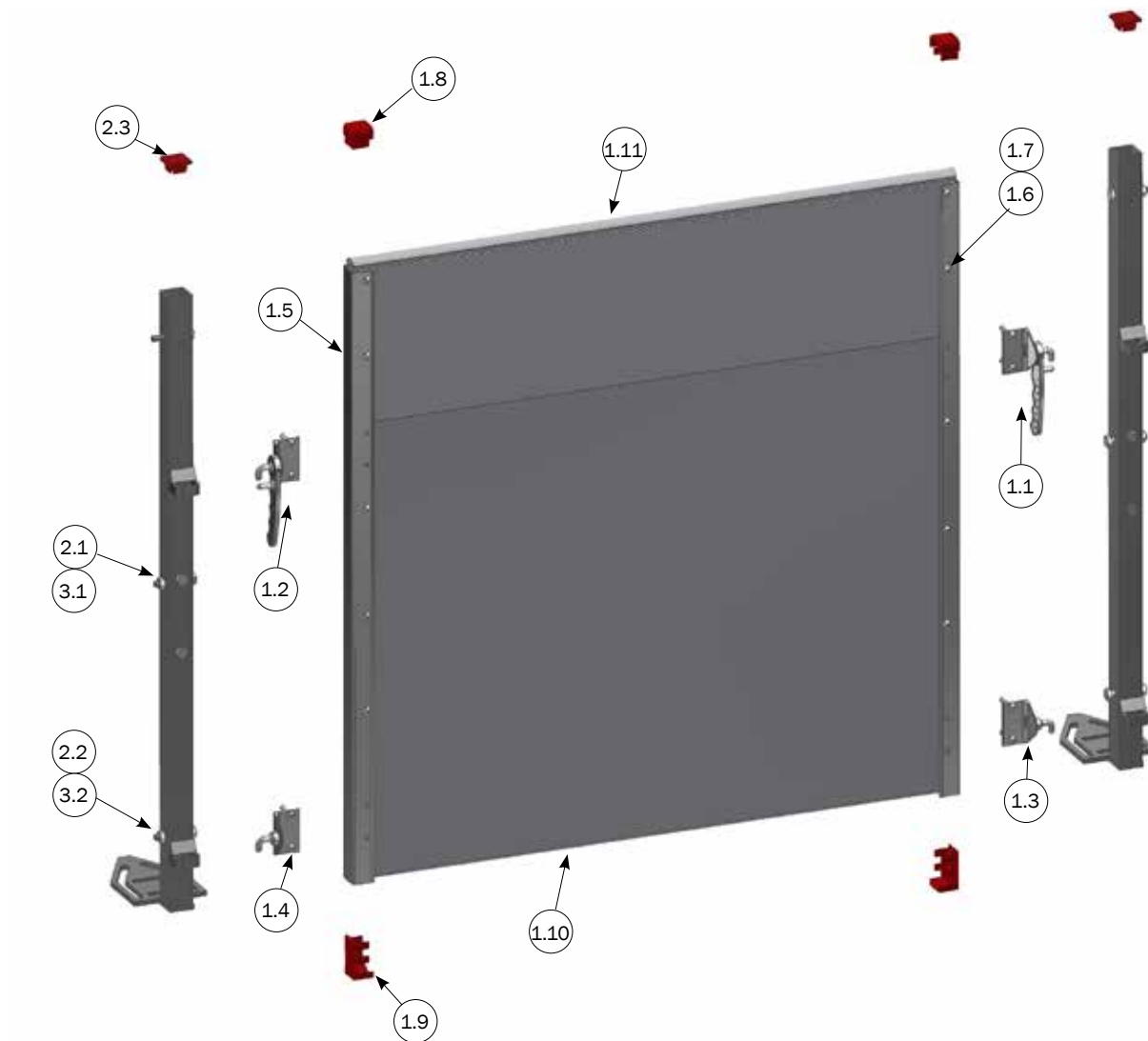
No	Item No	Description	Pcs.
1	2700129	HIGH POSTS FOR GATE KIT FOR FRONT PART BY DOUBLE PIGLET NEST, INCL. BOLT	1
2	2700275	2 LOW POSTS FOR FRONT PART INCL. BOLTS	1
3	1915011	GATE STOP 40 MM EXCL. BOLTS AND SCREWS	1
4*	2700216	FARROWING PARTITION, RIGHT PEN, WELSAFE MOVE	1

\* For mounting instruction see M-6245

# Double hanging door



# Double hanging door

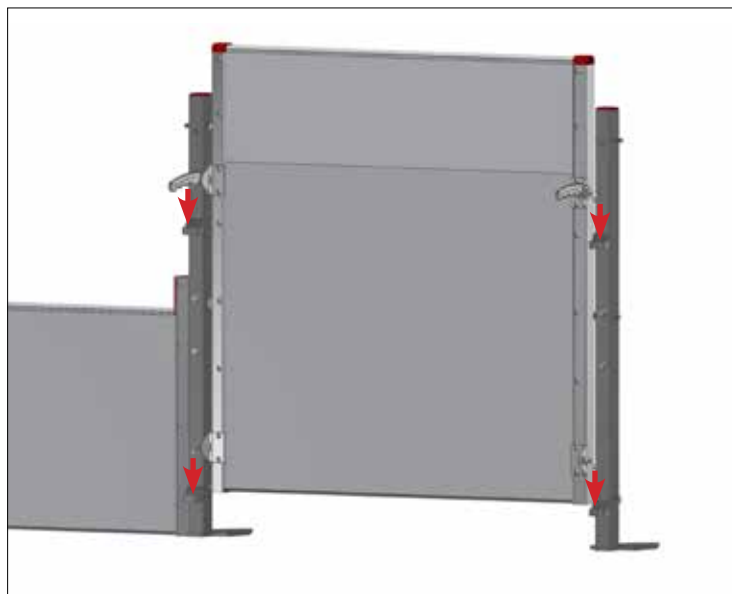
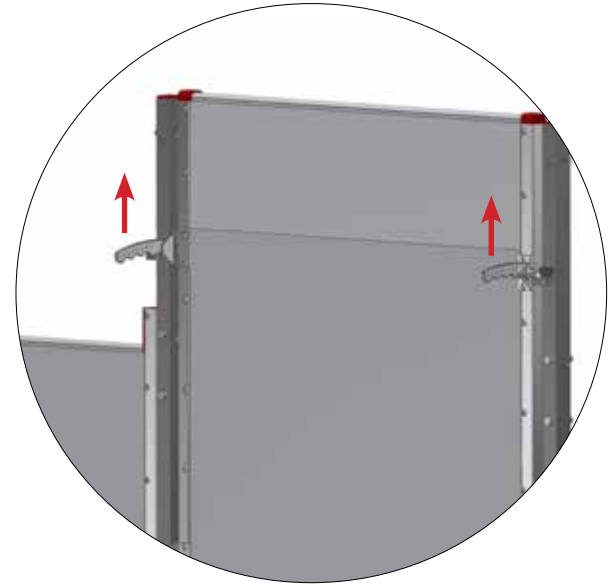
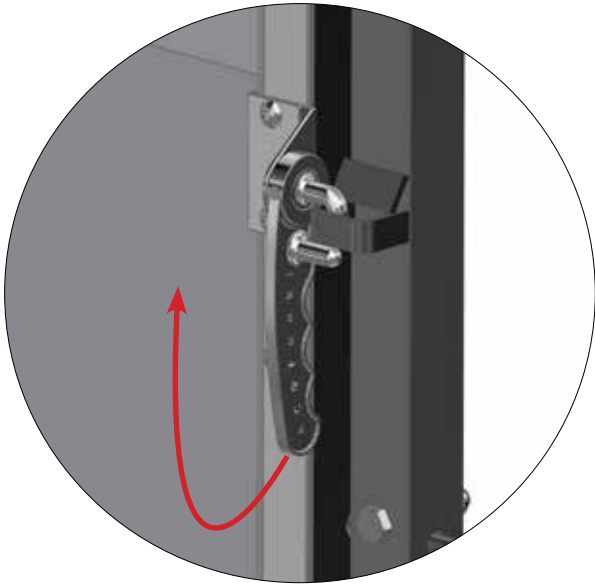
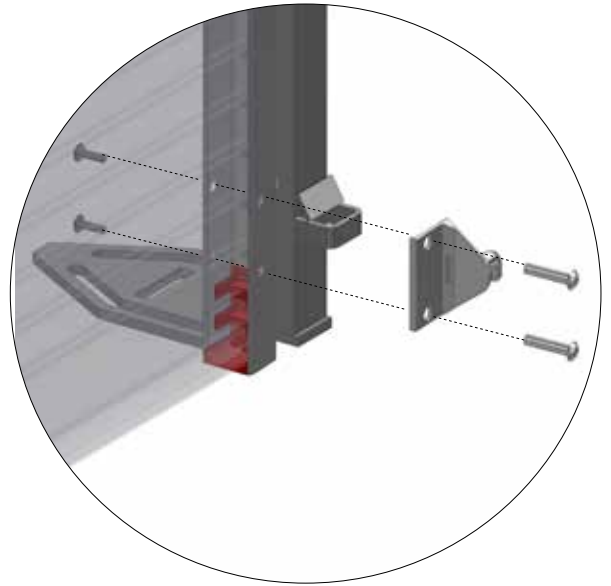
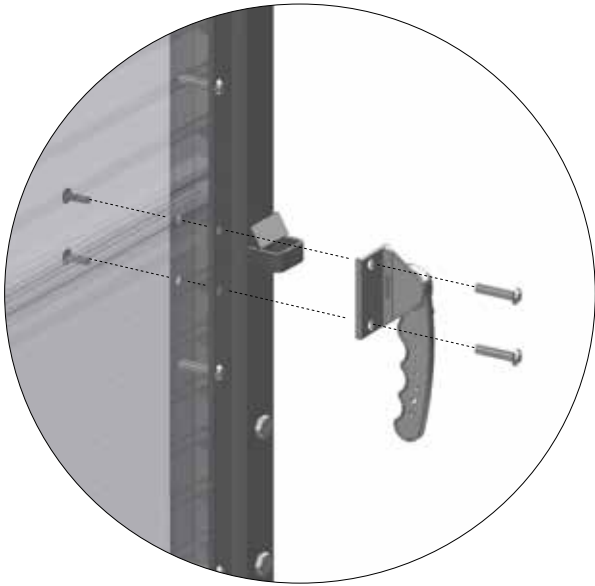


No	Item No	Description	Pcs.
1	2710288	GATE FULLPEN FOR WELSAFE BOARD PROFILE	1
1.1	4910900	HANDLE STAINLESS STEEL RIGHT	1
1.2	4910889	HANDLE STAINLESS STEEL LEFT	1
1.3	4950884	LOWER HINGER FOR GATE STAINLESS STEEL RIGHT	1
1.4	4950887	LOWER HINGER FOR GATE STAINLESS STEEL LEFT	1
1.5	8450726	U-PROFILE FOR GATE FULLPEN WELSAFE	2
1.6	39106020	CONNECTION SCREW M6X20 STAINLESS TORX 30	18
1.7	39206037	SPLICING SLEEVE M6X37 STAINLESS TORX 30	18
1.8	30001	PLUG BOARD PROFILE TOP	2
1.9	30013	PLUG BOTTOM 50 CM/75 CM BOARD PROFILE	2
1.10	30105	BOARD PROFILE 35X750 MM SPECIAL LENGTH PRICE PER METER	1
1.11	30099	BOARD PROFILE 35X250 MM SPECIAL LENGTH PRICE PER METER	1
2	2700456	LOW POSTS, FULLPEN GATE, KIT FOR FRONTPART,INCL. BOLT	2
2.1	33900029	LOCK NUT M10 A2 DIN 985 WAXED	4
2.2	32510060	MACHINE BOLT M10X60 A2 DIN 931	10
2.3	30086	PLUG FOR 40 X 40 X 4 POST	2
3	2700429	HIGH POST WITH FULLPEN GATE, KIT FOR FRONT PART BY DOUBLE PIGLET NEST,INCL. BOLT	2
3.1	33900029	LOCK NUT M10 A2 DIN 985 WAXED	4
3.2	32510055	MACHINE BOLT M10X55 A2 DIN 931	4

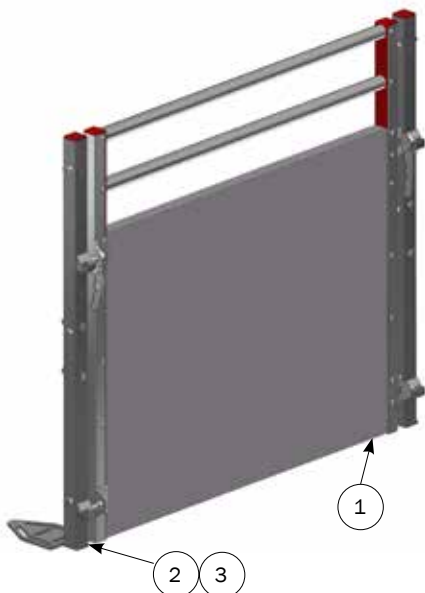
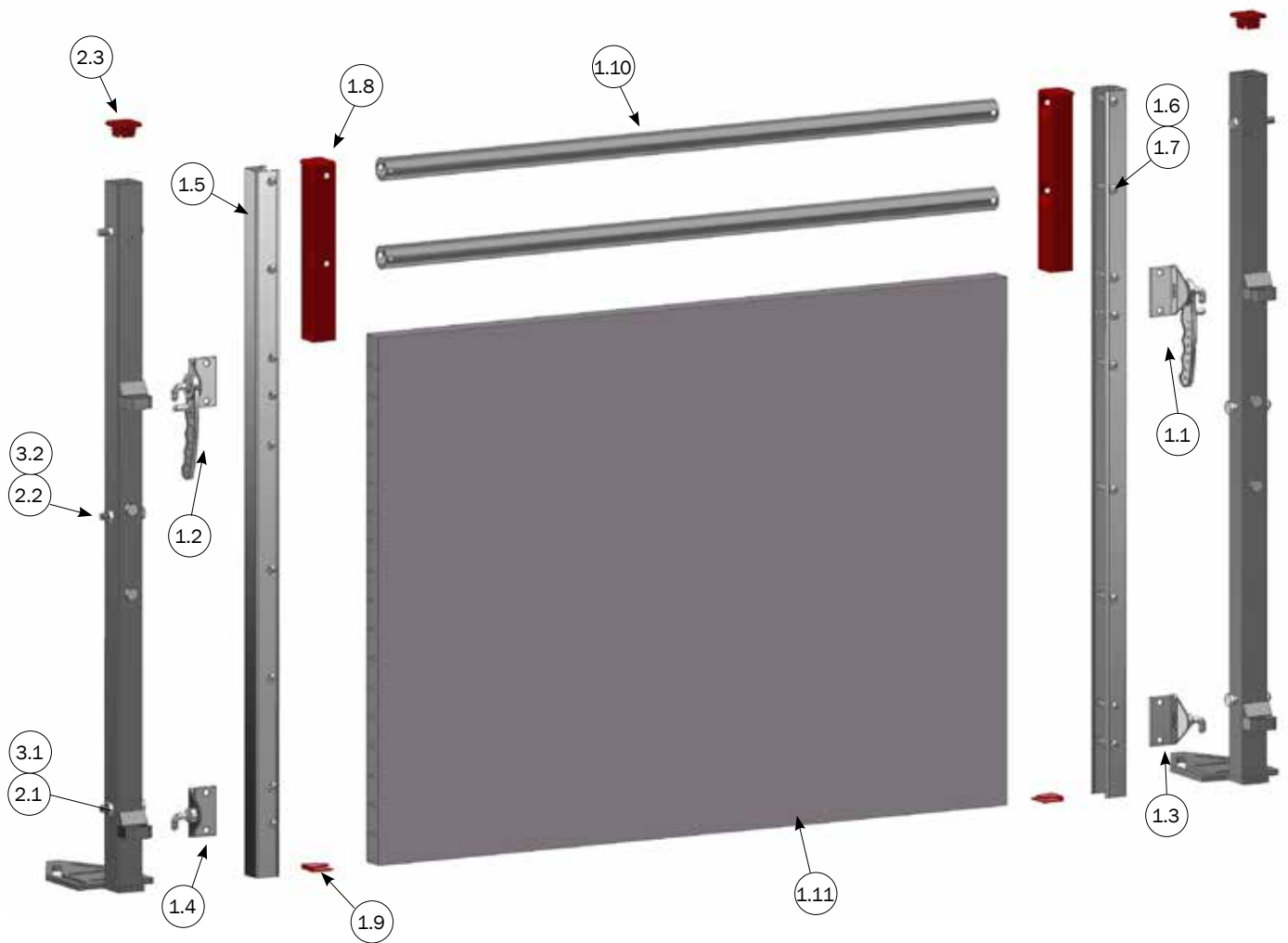
M-6247\_GB



## Double hanging door



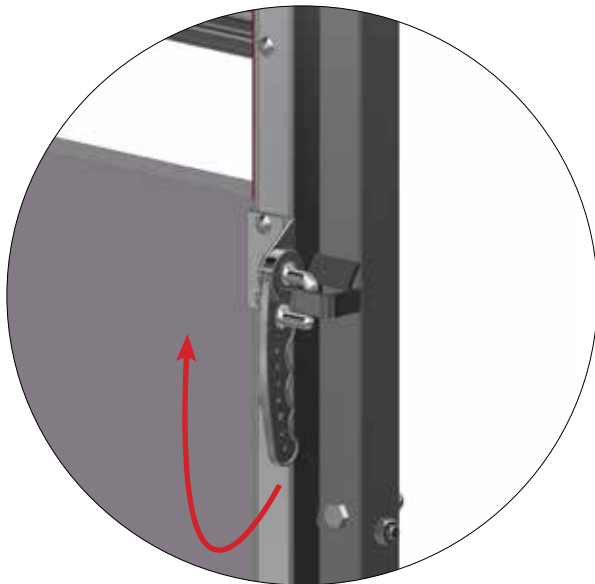
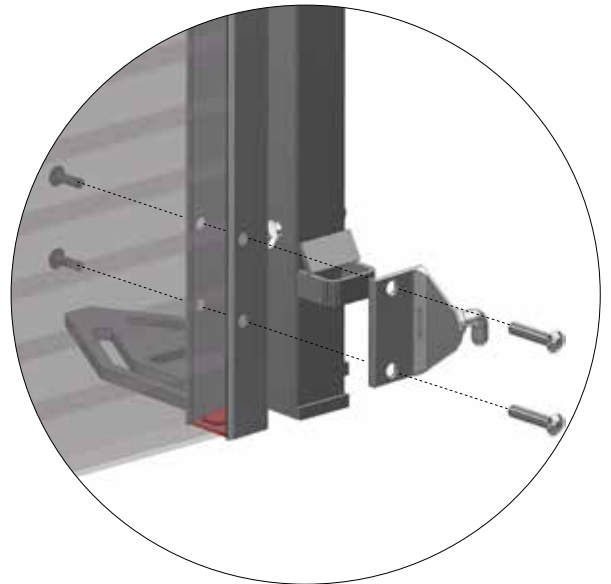
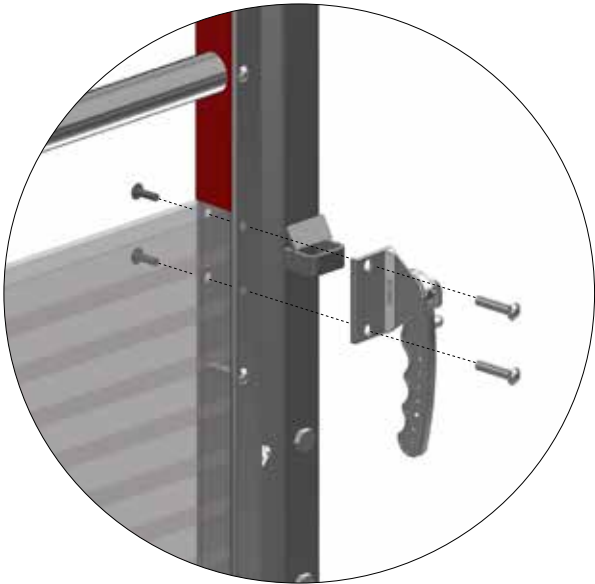
# Double hanging door



No	Item No	Description	Pcs.
1	2710178	GATE FULLPEN FOR WELSAFE PROF. BOARD PROFILE / 2 BARS	1
1.1	4910900	HANDLE STAINLESS STEEL RIGHT	1
1.2	4910889	HANDLE STAINLESS STEEL LEFT	1
1.3	4950884	LOWER HINGER FOR GATE STAINLESS STEEL RIGHT	1
1.4	4950887	LOWER HINGER FOR GATE STAINLESS STEEL LEFT	1
1.5	8450726	U-PROFILE FOR GATE FULLPEN WELSAFE	2
1.6	39106020	CONNECTION SCREW M6X20 STAINLESS TORX 30	18
1.7	39206037	SPLICING SLEEVE M6X37 STAINLESS TORX 30	18
1.8	8500552	PLUG FLAT BOARD PROFILE TOP FOR 2 TOP BARS	2
1.9	8500561	TOP-BOTTOM PLUG FLAT/FLAT BOARD PROFILE	2
1.10	112406	33.7 X 2.60 PIPE GALV. PRICE PER METER, LENGTH 6 METER	2
1.11	8500328	BOARD PROFILE 750X35 PROF 2800	1
2	2700456	LOW POSTS, FULLPEN GATE, KIT FOR FRONTPART,INCL. BOLT	2
2.1	33900029	LOCK NUT M10 A2 DIN 985 WAXED	4
2.2	32510060	MACHINE BOLT M10X60 A2 DIN 931	10
2.3	30086	PLUG FOR 40 X 40 X 4 POST	2
3	2700429	HIGH POST WITH FULLPEN GATE, KIT FOR FRONT PART BY DOUBLE PIGLET NEST,INCL. BOLT	2
3.1	33900029	LOCK NUT M10 A2 DIN 985 WAXED	4
3.2	32510055	MACHINE BOLT M10X55 A2 DIN 931	4

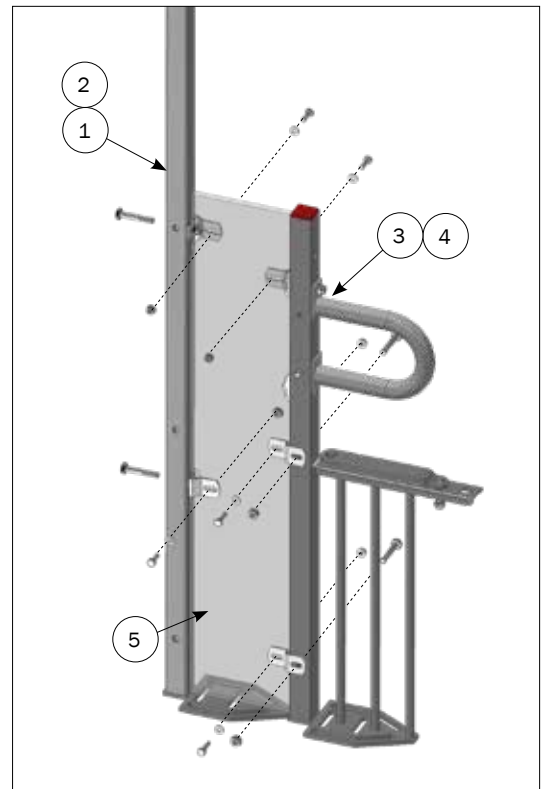
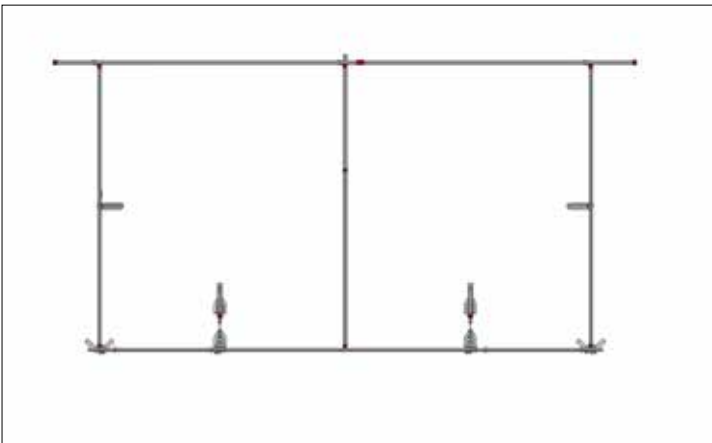
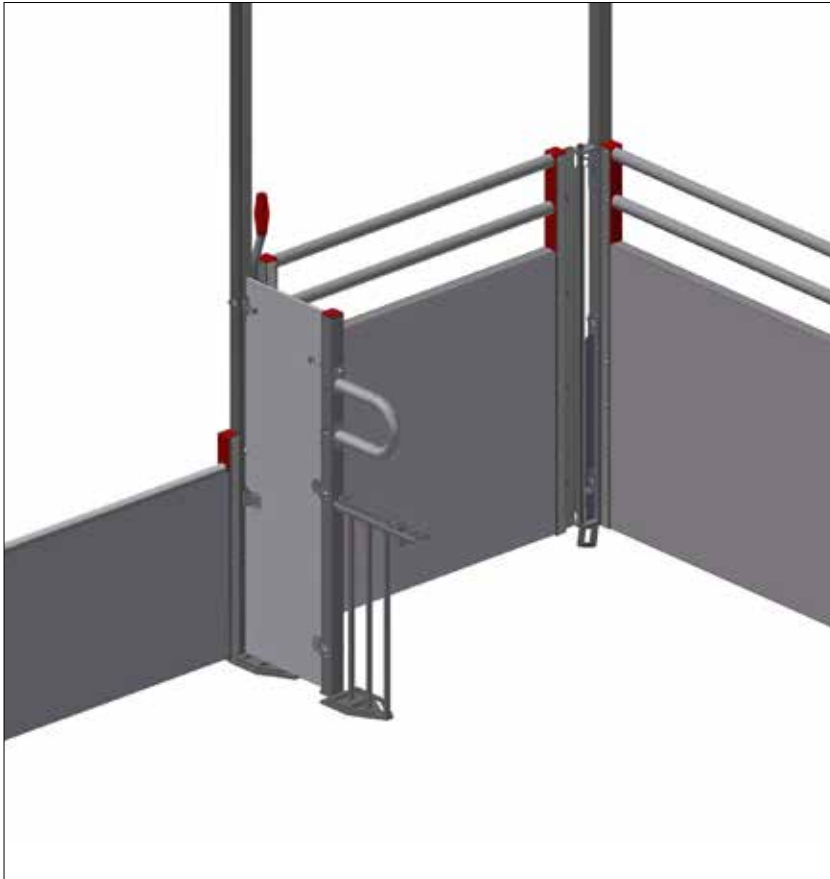
M-6247\_GB

## Double hanging door



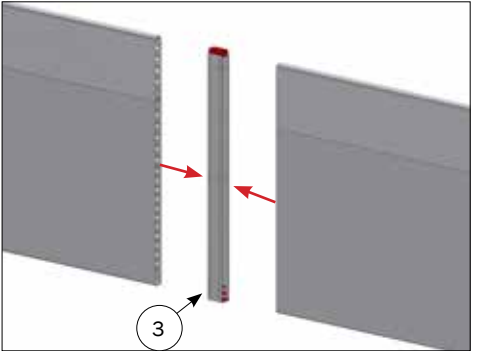
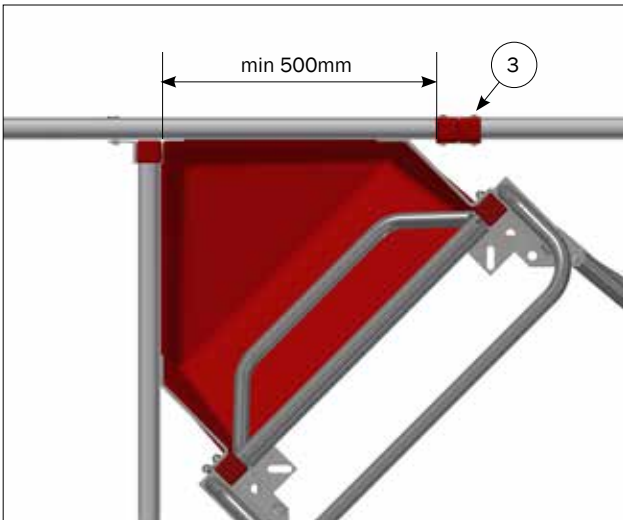
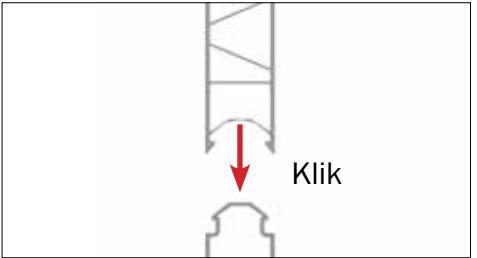
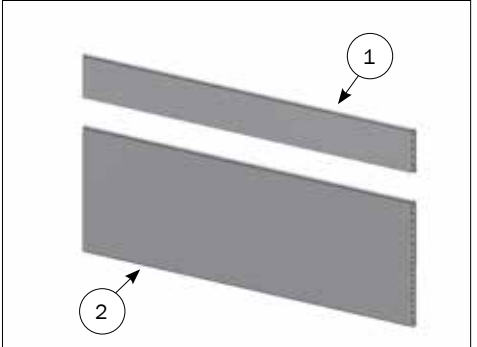
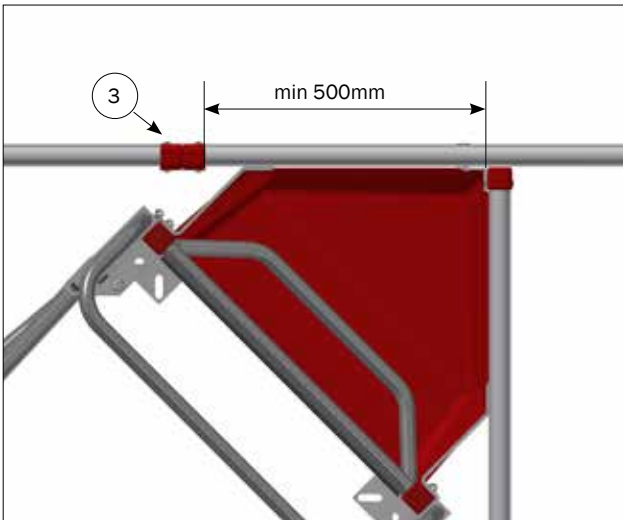
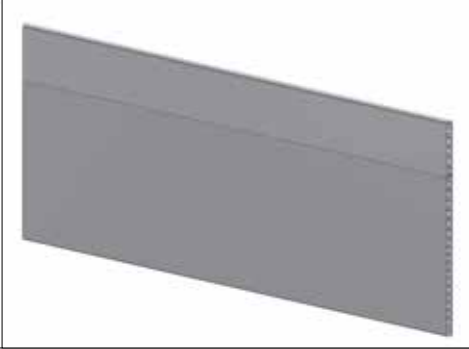
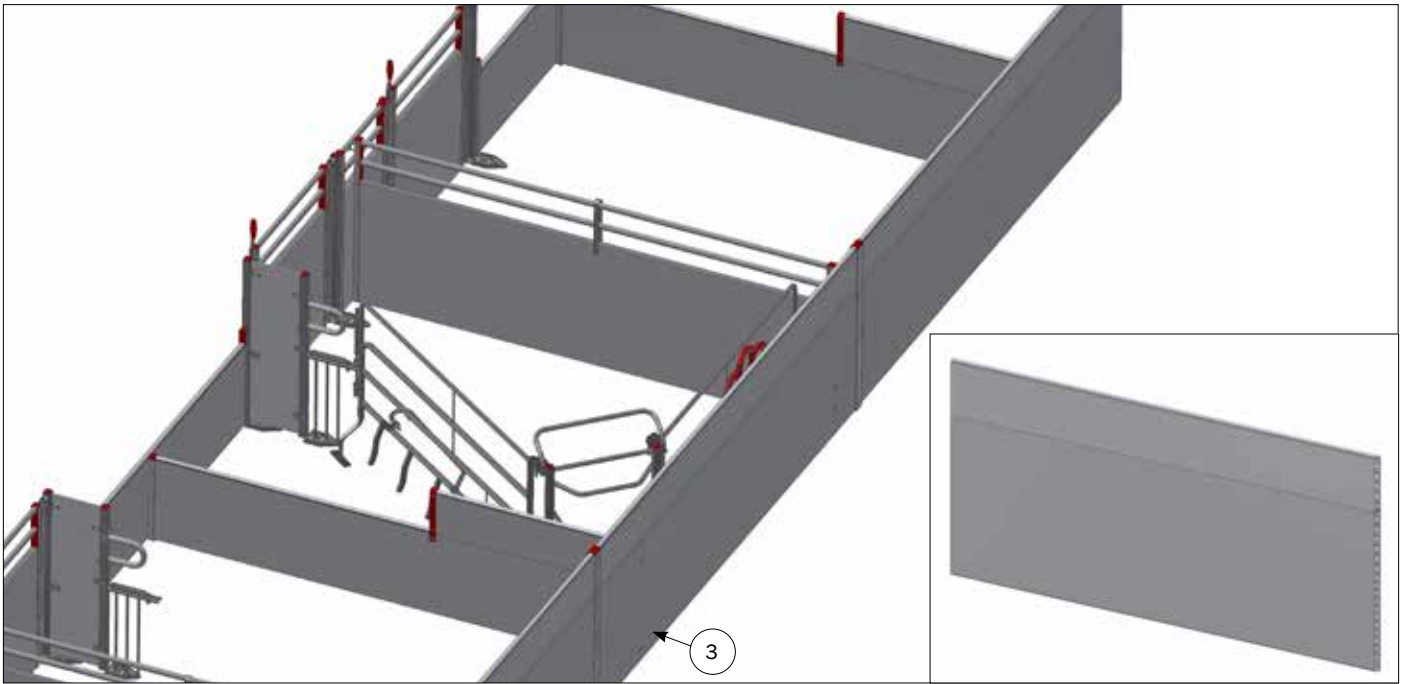
## Extra furniture

In size over 264, extra furniture must be used.



No	Item No	Description	Pcs.
1	2700129	HIGH POSTS FOR GATE KIT FOR FRONT PART BY DOUBLE PIGLET NEST, INCL. BOLT	1
2	2700130	HIGH POSTS FOR GATE KIT FOR FRONT PART BY SINGLE PIGLET NEST, AGAINST WALL	
3	2700063	LOW POSTS WITH GRILL KIT FOR FRONT PART BY DOUBLE PIGLET NEST, INCL. BOLT	1
4	2700096	LOW POSTS WITH GRILL KIT FOR FRONT PART BY SINGLE PIGLET NEST, AGAINST WALL	
5	8470159	EXTENSION PLATE FOR WELSAFE PENS >2.6 TO 2.8 M	1
6	2700221	MOUTING KIT FOR WELSAFE WING EXTENDER	1

# Wash wall assembly



No	Item No	Description
1	30100	BOARD PROFILE 35X250 MM LENGTH 6 METER
2	30106	BOARD PROFILE 35X750 MM LENGTH 6 METER
3	4100500	H-PROFILE 1005 MM INCL. CONNECTING SCREW

