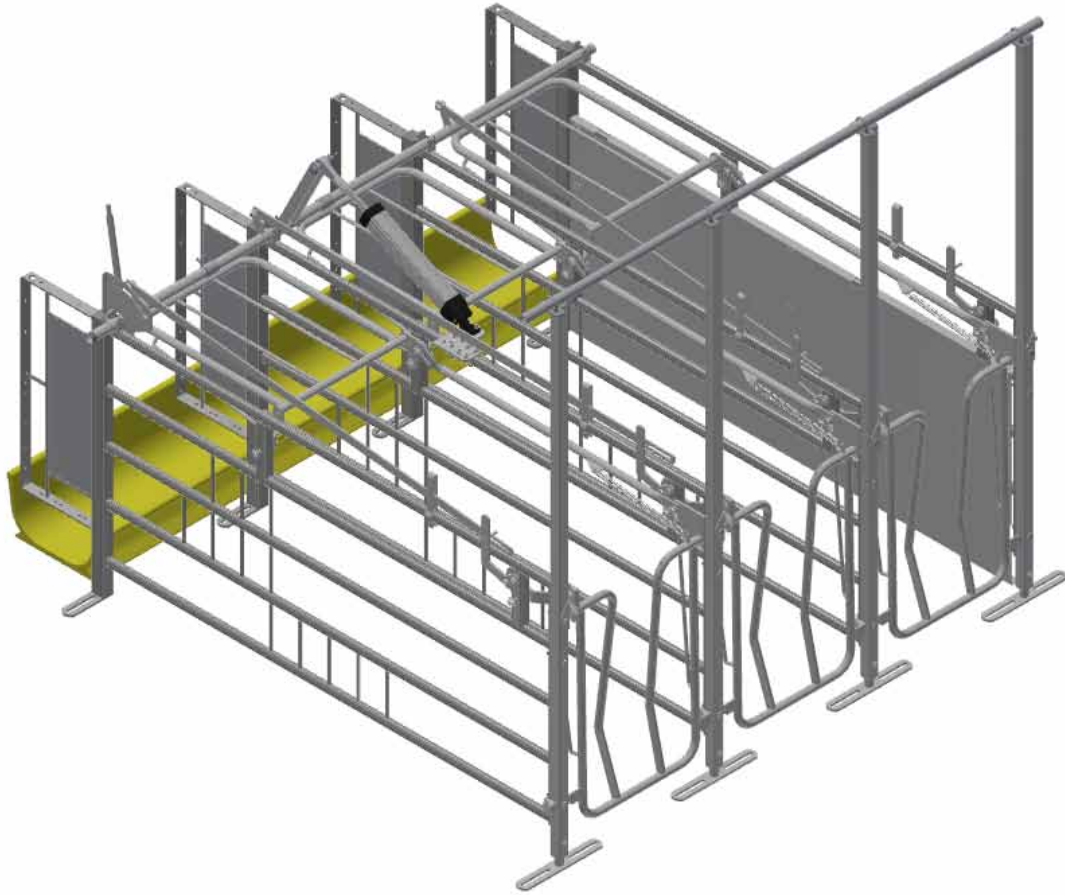


M-6145\_GB

# MOUNTING INSTRUCTION



## MULTIBOX COMFORT



**ACO FUNKI A/S**

Kirkevænget 5  
DK-7400 Herning

Tel. +45 9711 9600

Fax +45 9711 9677

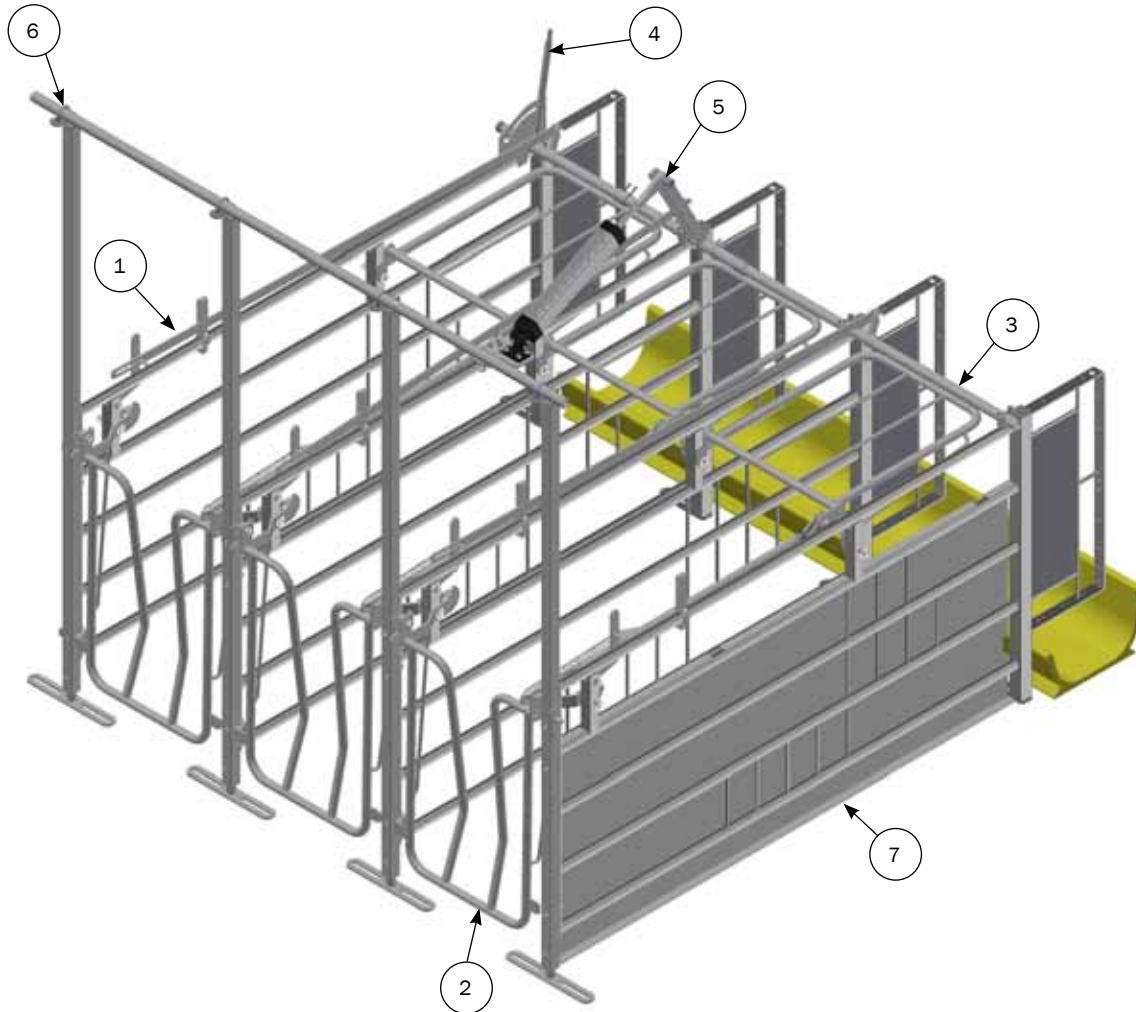
[www.acofunki.com](http://www.acofunki.com)

**DANISH DESIGN | GERMAN QUALITY | GLOBAL EXPERIENCE**

## COMPLETE MULTIBOX COMFORT WITH END PARTITION

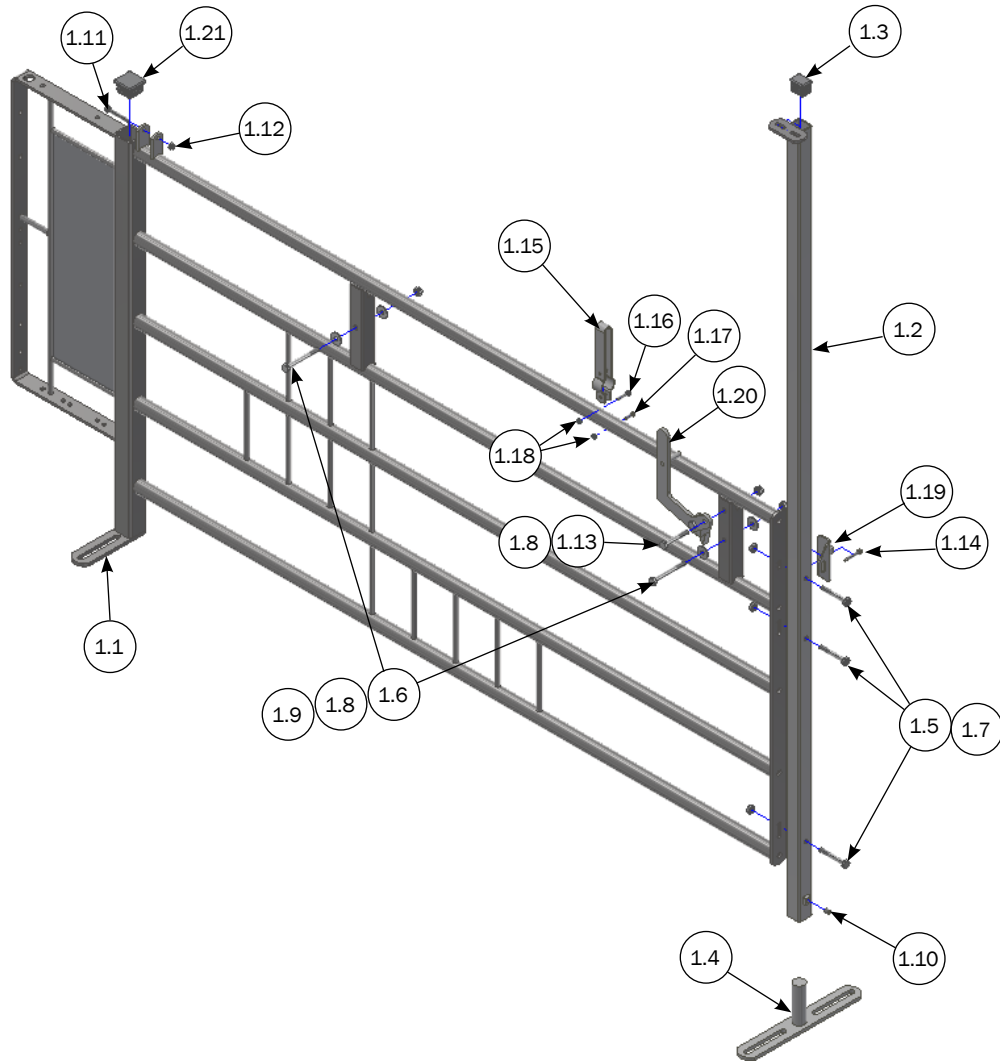
For mounting of front bars, look at mounting instruction : M-6183

For mounting of front gate, look at mounting instruction : M-6194



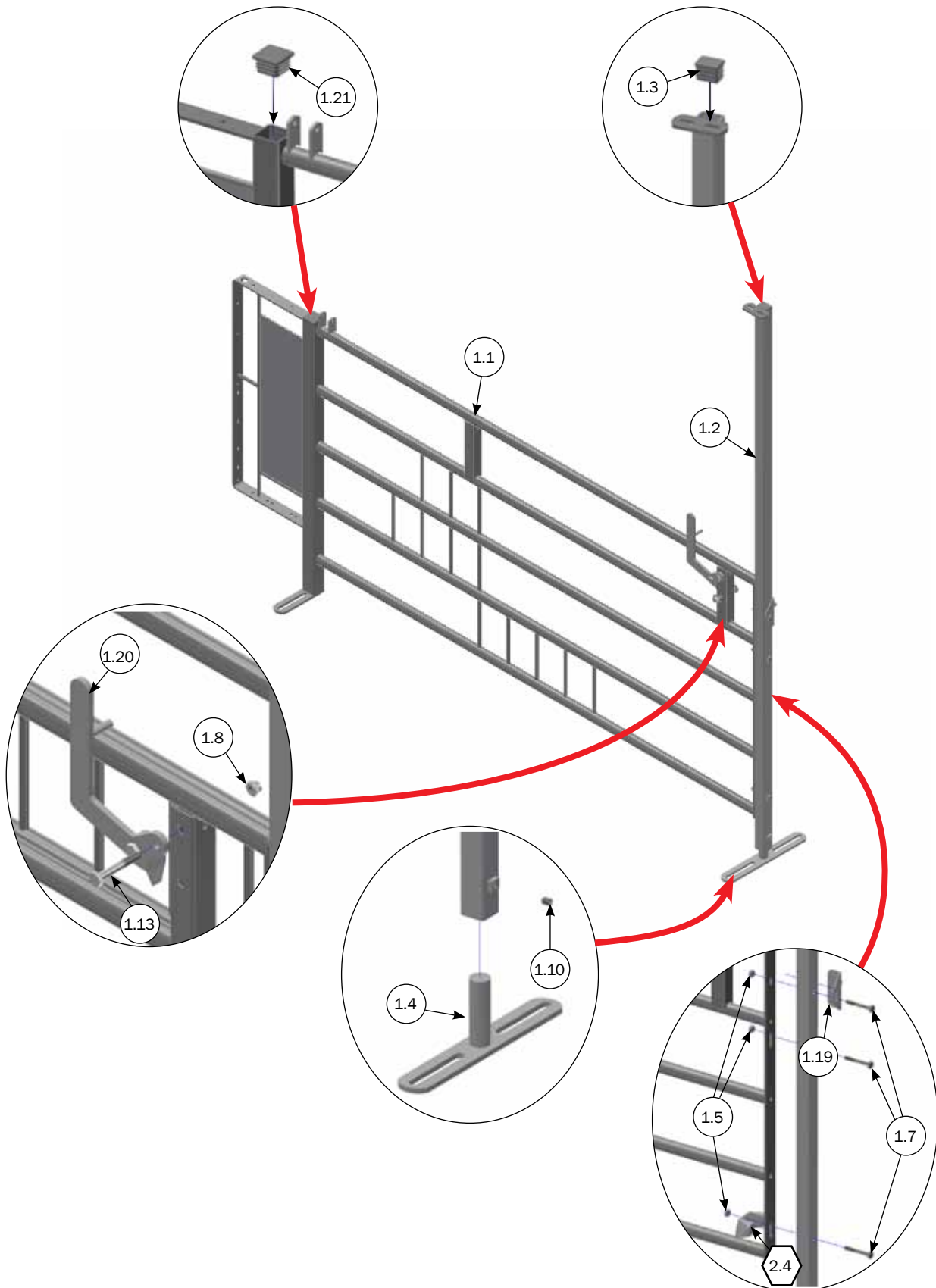
PARTS LIST		
No.	ITEM No.	DESCRIPTION
1	1600340	PARTITION MULTIBOX COMFORT, PEN LENGTH 230 CM
2	1600406	GATE SET COMFORT WIDTH 65CM
3	1900240	PIPE 1' GALVANIZED, 6 METER WSPLICING SLEEVE, PRICE PER PIECE, LENGTH 6 METER
4	1600190	CENTRALIZED GATE LOCKING
5	1600529	CENTRALIZED LOCK F/COMFORT BOX COMPRESSED AIR MAX 60 BOXES PER CYLINDER
6	1900109	U-BOLT 1' , INCL NUTS GALVANISED
7	1600376	END PARTITION KIT SHORT EXCL.PARTITION

## PARTS LIST ON PARTITION



PARTS LIST			
No.	PCS.	ITEM No.	DESCRIPTION
1	1	1600340	PARTITION MULTIBOX COMFORT, PEN LENGTH 230 CM
1.1	1	1620340	PARTITION FOR COMFORT, 230 CM
1.2	1	1620313	POST FOR PARTITION COMFORT
1.3	1	9960016	CAP 40X30 BLACK
1.4	1	1220852	FOUNDATION PLATE FOR PARTITION
1.5	3	32510070	MACHINE SCREW M10X70 A2 QUAL.10.9 DIN 931
1.6	2	32510090	MASCHINE SCREW M10X90 A2 DIN 931
1.7	3	33510017	NUT M10 A2 DIN 934
1.8	3	33900029	LOCK NUT M10 A2 DIN 985
1.9	4	35900085	NUT WASHER Ø10X10,5/30/2,5 A2DIN 9021
1.10	1	38310016	POINTED SCREW M10X16 W/POINT A2 DIN 914
1.11	1	30308060	SET SCREW M8X60 A2 DIN 933
1.12	1	33908001	LOCK NUT M8 A2 DIN 985
1.13	1	32310065	MACHINE SCREW M10X65 A2 DIN 931
1.14	1	9921502	SELF-DRILLING SCREW 6,3X38 FZB
1.15	1	0146-298	CLAMP RING FOR PIPE SUPPORT 1"
1.16	1	30206030	SET SCREW M6X30 FZB DIN 933
1.17	1	30206020	SET SCREW M6X20 FZB DIN 933
1.18	2	33206010	NUT M6 FZB DIN 934
1.19	1	1620371	ANGLE STOP FOR HOOK
1.20	1	1610377	STOP HANDLE INCL. LOCKING PAWL
1.21	1	9960005	CAP 50X50X5

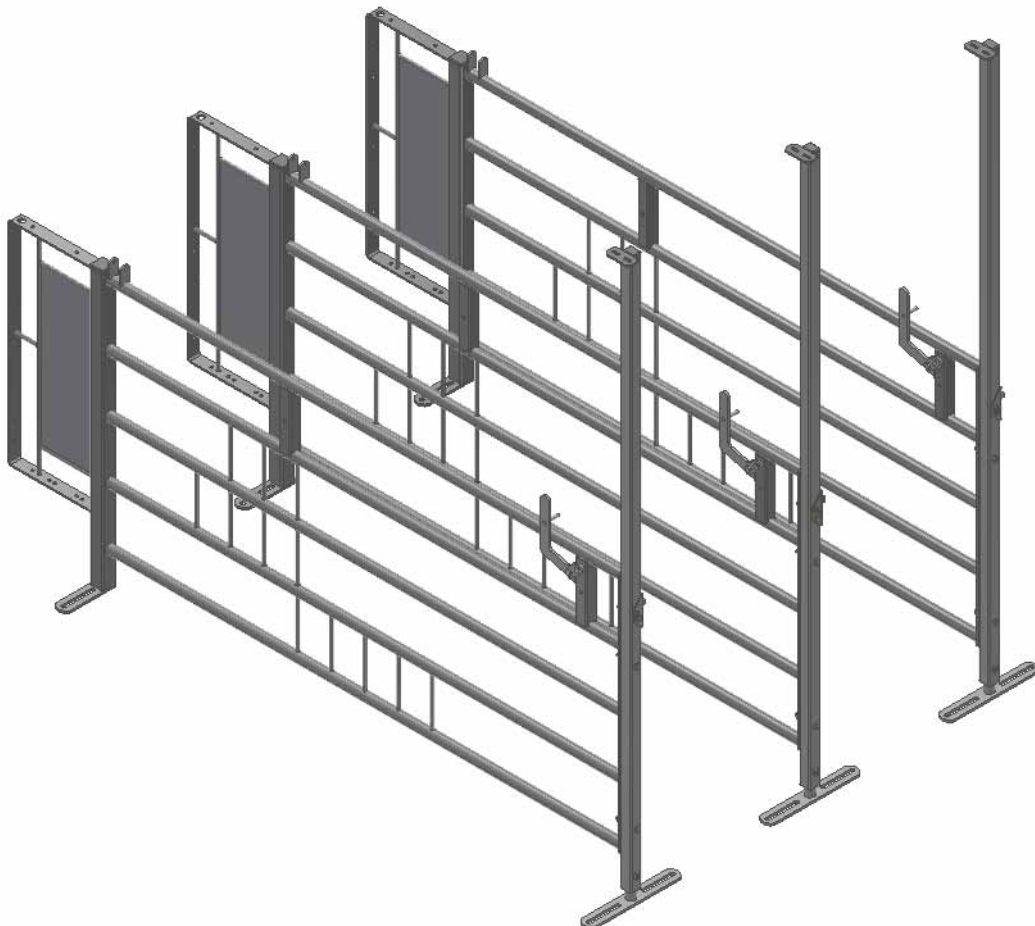
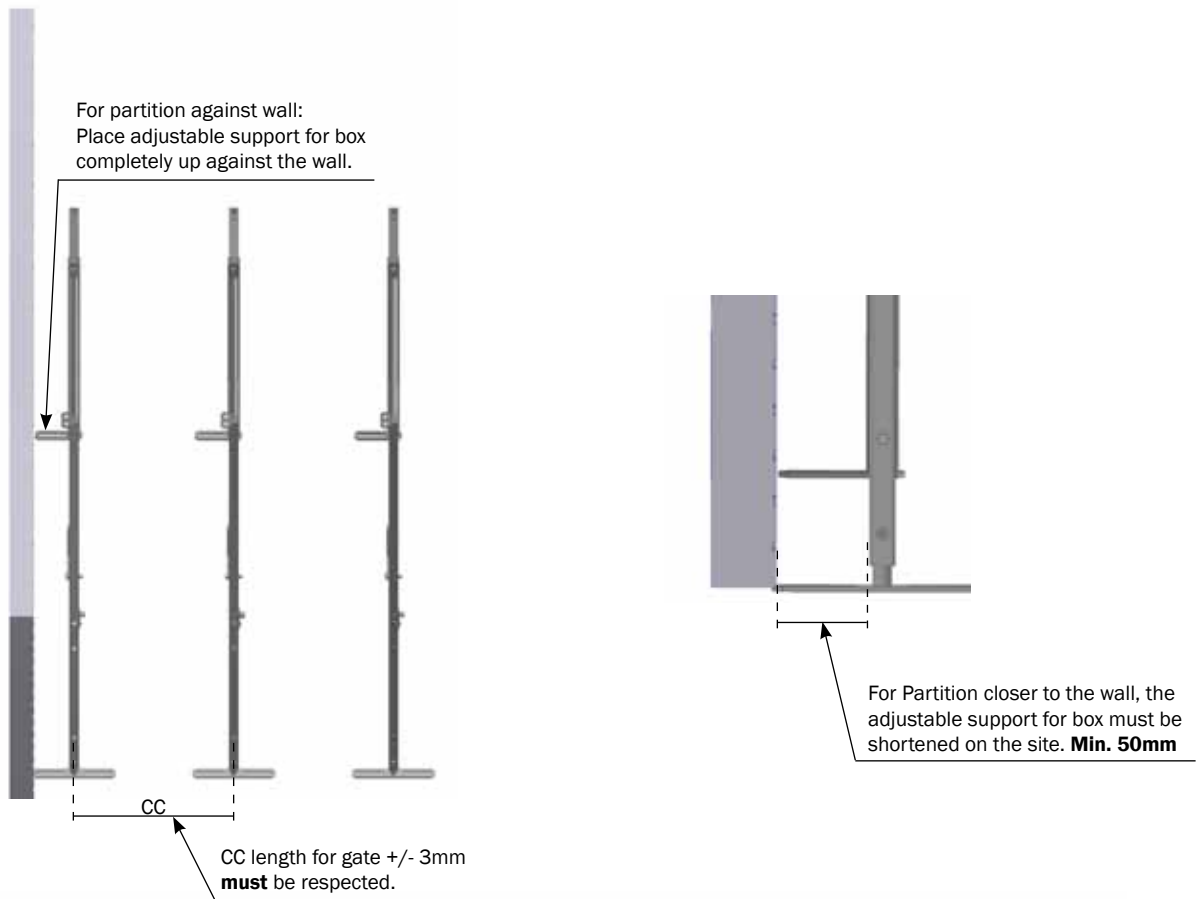
# MOUNTING OF POST ON PARTITION



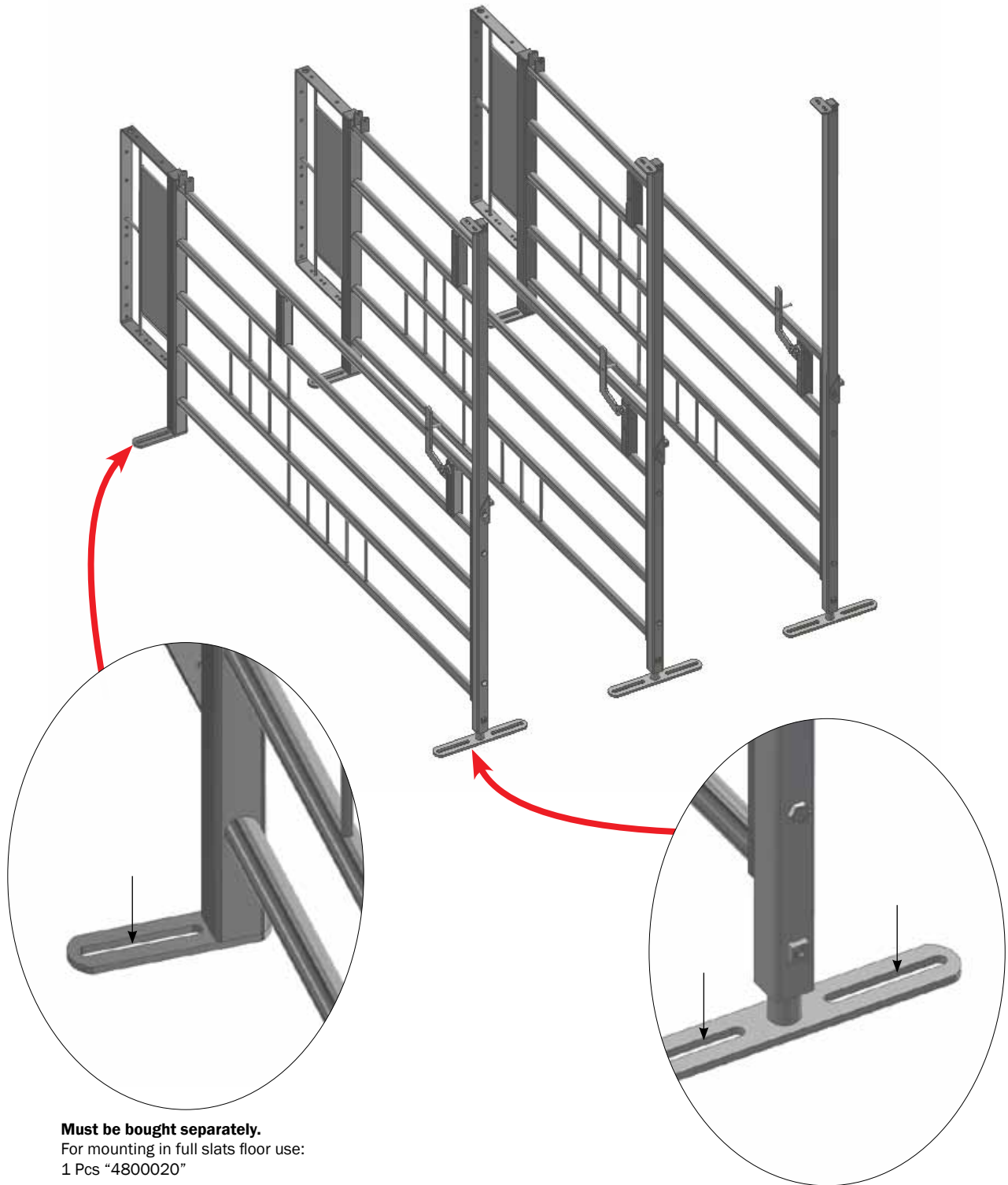
○ For parts list look at page 3

⬡ For parts list look at page 8

## MOUNTING OF PARTITION

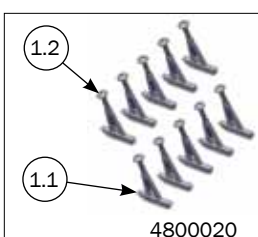


## MOUNTING IN FULL SLATS FLOOR



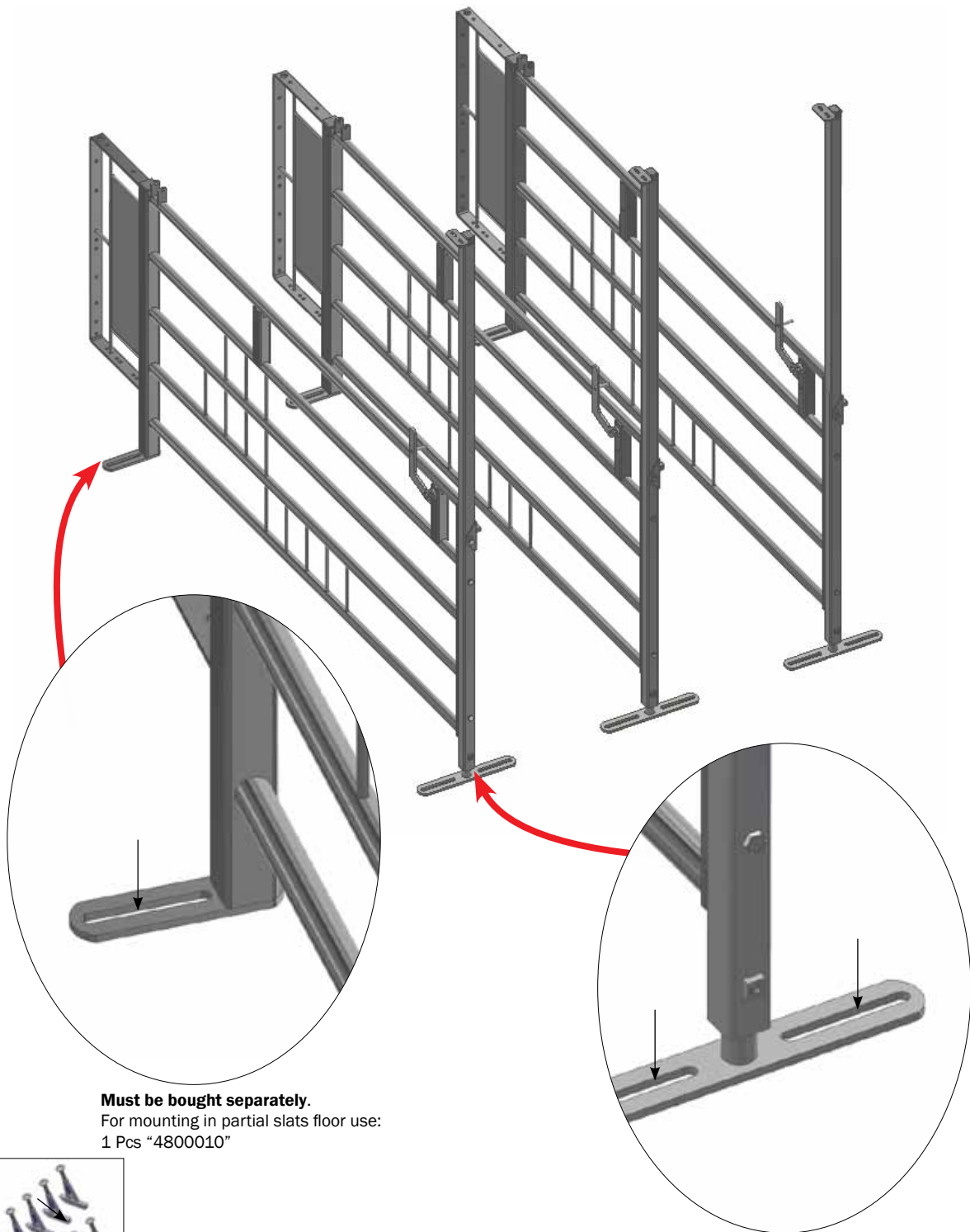
**Must be bought separately.**  
For mounting in full slats floor use:  
1 Pcs "4800020"

**Must be bought separately.**  
For mounting in full slats floor use:  
2 Pcs "4800020"



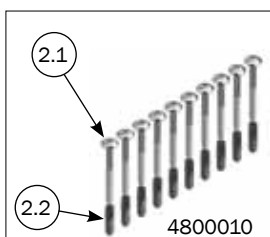
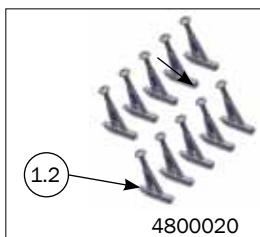
PARTS LIST			
No.	PCS.	ITEM No.	DESCRIPTION
1	1	4800020	10 PCS. T-BOLT FOR 80-130 MM CONCRETE SLATS STAINLESS STEEL
1.1	(10) 3	90100078	T-BOLT CAST M10 STAINLESS STEEL
1.2	(10) 3	30310080	BUTTON HEAD TORX 50 M10X80 STAINLESS STEEL

## MOUNTING IN PARTIAL SLATS FLOOR



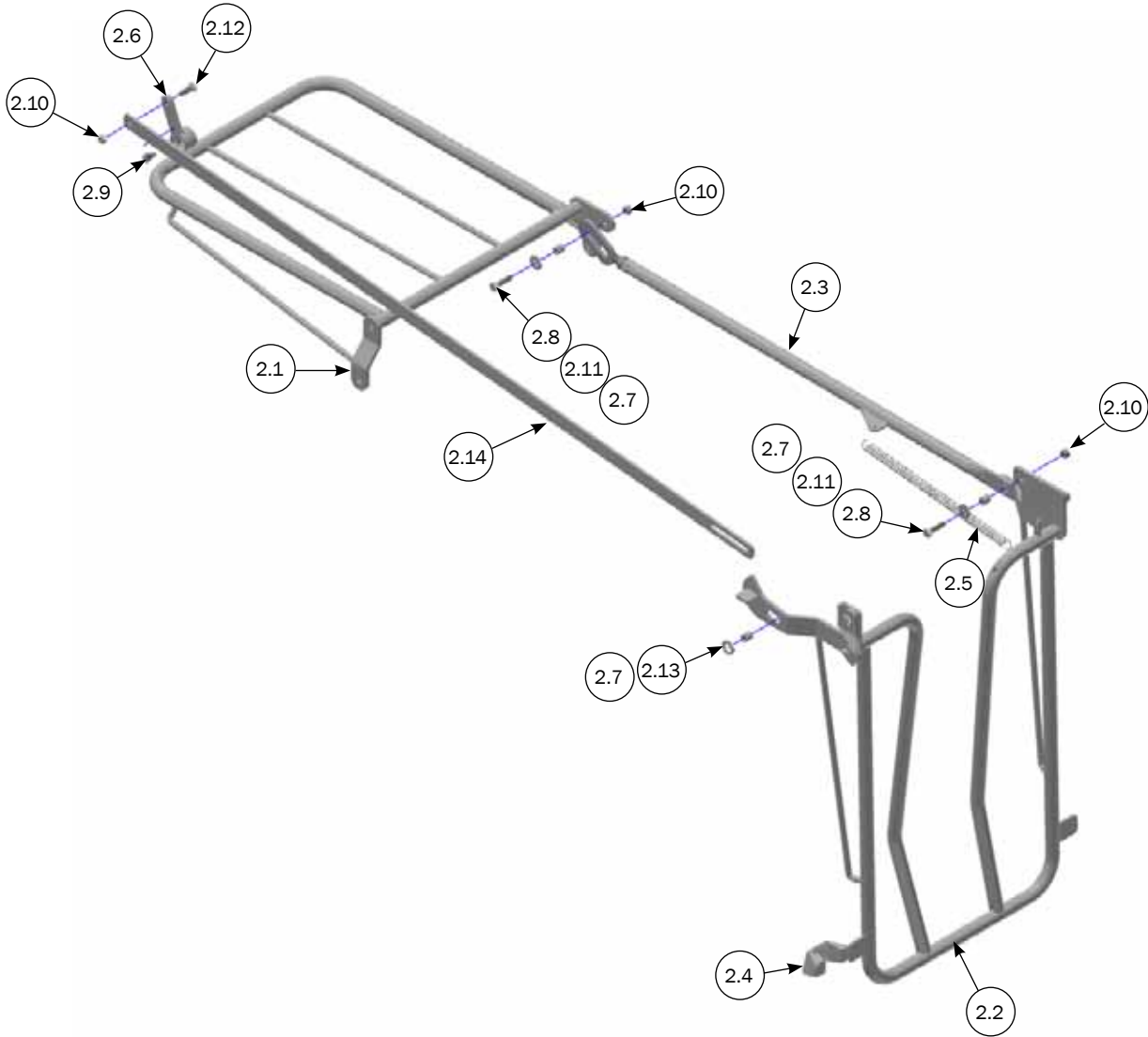
**Must be bought separately.**  
For mounting in partial slats floor use:  
1 Pcs "4800010"

**Must be bought separately.**  
For mounting in partial slats floor use:  
1 Pcs "4800020"



PARTS LIST			
No.	PCS.	ITEM No.	DESCRIPTION
1	1	4800020	10 PCS. T-BOLT FOR 80-130 MM CONCRETE SLATS STAINLESS STEEL
1.1	(10) 2	90100078	T-BOLT CAST M10 STAINLESS STEEL
1.2	(10) 2	30310080	BUTTON HEAD TORX 50 M10X80 STAINLESS STEEL
2	1	4800010	10 PCS. SS BUTTON HEAD SCREWS 10X70 + WALL PLUG
2.1	(10) 1	67444	10 X 70 BUTTON HEAD TORX 50 STAINLESS STEEL
2.2	(10) 1	39900001	WALL PLUG 12X60 MM

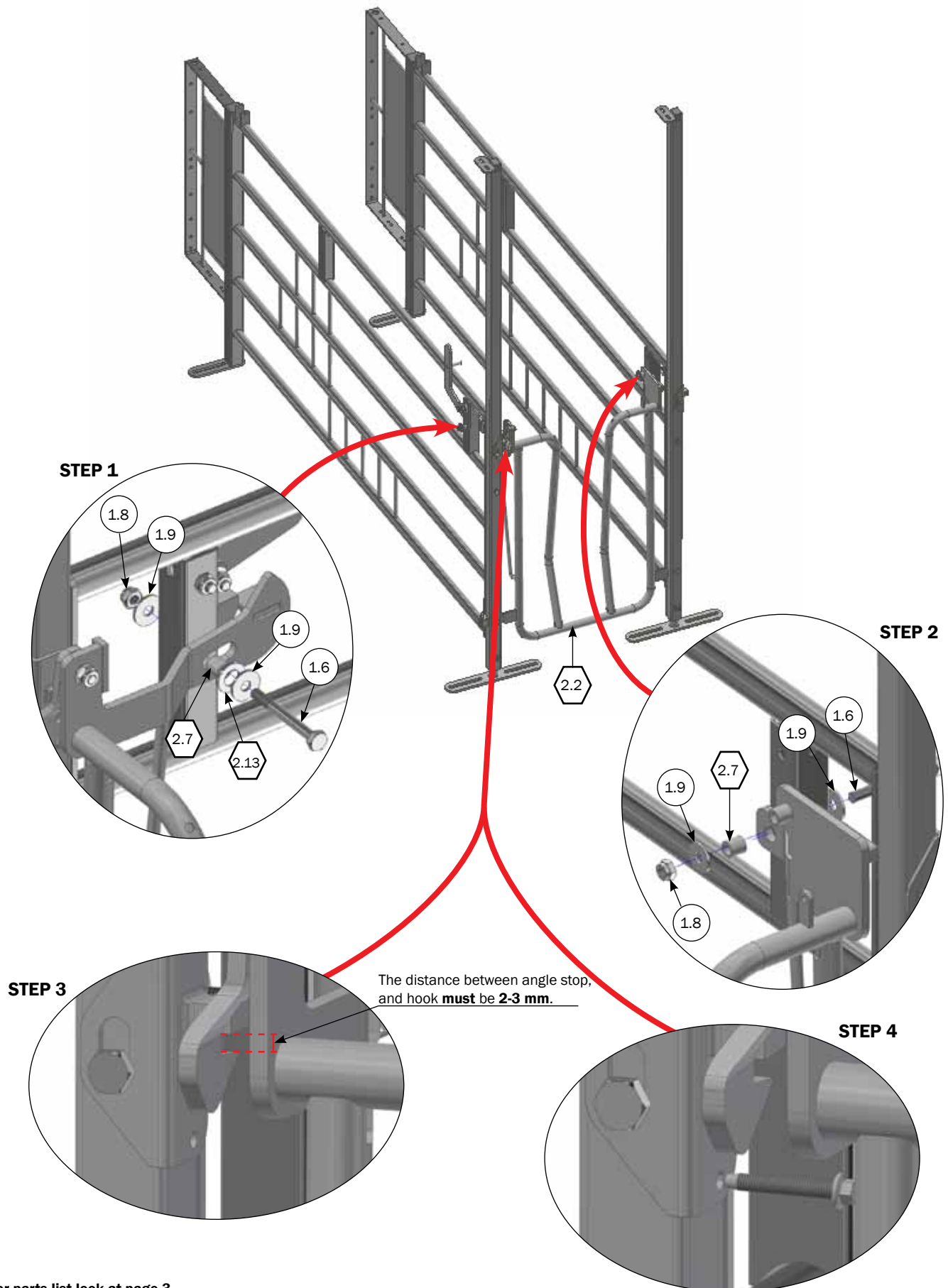
## PARTS LIST FOR GATE SET COMFORT



PARTS LIST			
No.	PCS.	ITEM No.	DESCRIPTION
		1600405	GATE SET COMFORT WIDTH 60CM
		1620405	FRONT GATE COMFORT BOX 60 CM
		1610401	REAR GATE COMFORT 60 CM C/C
		1600407	GATE SET COMFORT WIDTH 70CM
		1620407	FRONT GATE COMFORT BOX 70 CM
		1610403	REAR GATE COMFORT 70 CM C/C
2	1	1600406	GATE SET COMFORT WIDTH 65CM
2.1	1	1620306	FRONT GATE COMFORT, PEN WIDTH 65 CM
2.2	1	1610402	REAR GATE COMFORT 65 CM C/C
2.3	1	1610499	DRAWBAR SET COMFORT VER. 2
2.4	1	1620500	STOP FOR GATE COMFORT VER. 2
2.5	1	9929032	TENSION SPRING 3X20X200MM HOT DIP GALVANIZED
2.6	1	1620346	ROTATING FORK FOR CENTRAL LOCK, COMFORT
2.7	6	8100436	BUSH Ø16X3, 16 MM
2.8	2	30310040	SET SCREW M10X40 A2 DIN 933
2.9	1	30210021	BOLT WITH HALF DOG PONT M10X20 FZB DIN 564 B
2.10	3	33900029	LOCK NUT M10 A2 DIN 985
2.11	2	35900085	NUT WASHER Ø10X10,5/30/2,5 A2DIN 9021
2.12	1	30310030	SET SCREW M10X30 A2 DIN 933
2.13	1	35600041	FLAT WASHER Ø16X17/30/3 A2 DIN125 A
2.14	1	1620374	GUIDE FOR LOCKING HANDLE STRAIGHT, COMFORT



# MOUNTING OF REAR GATE ON PARTITION

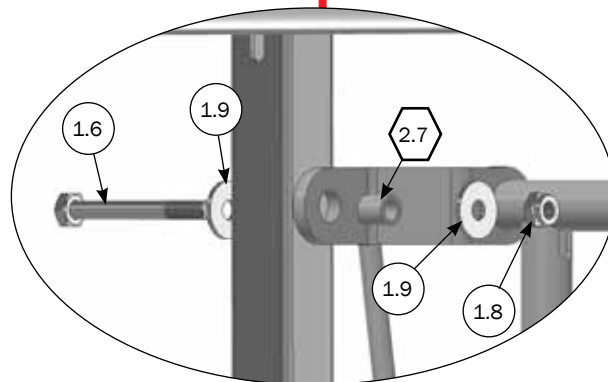
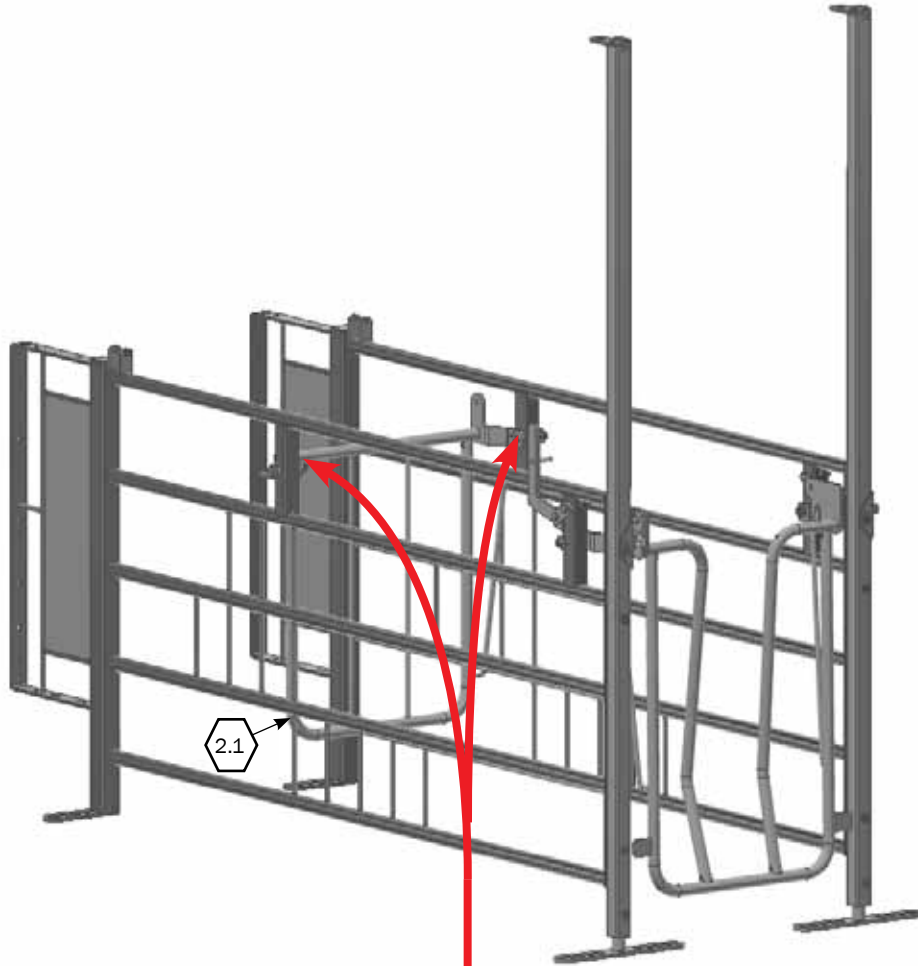


○ For parts list look at page 3

⬡ For parts list look at page 8

M-6145\_GB

## MOUNTING OF FRONT GATE ON PARTITION



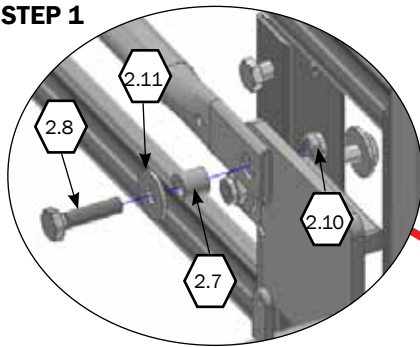
○ For parts list look at page 3

⬡ For parts list look at page 8

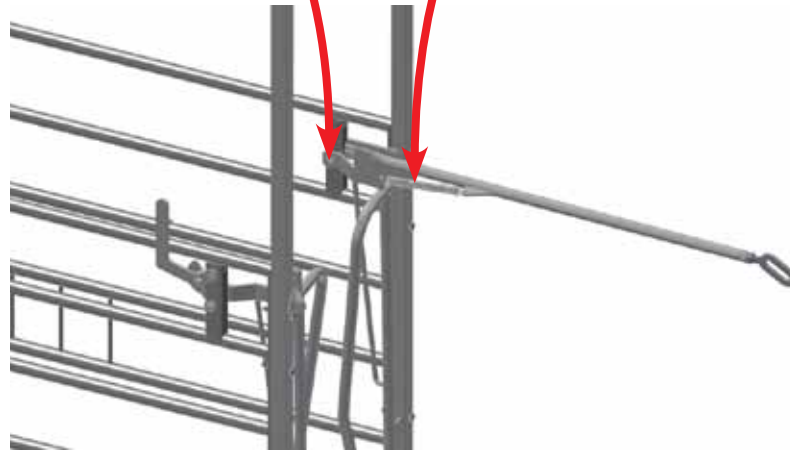
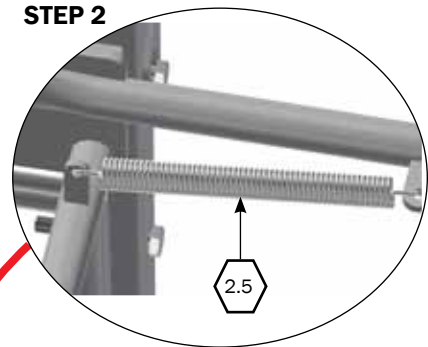
M-6145\_GB

# MOUNTING OF DRAWBAR SET AND TENSION SPRING ON PARTITION

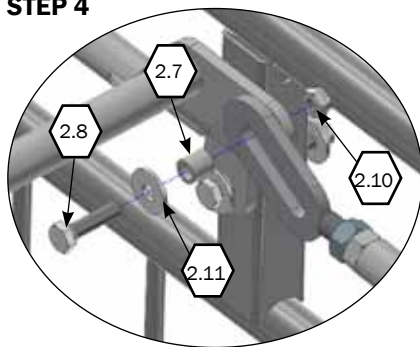
STEP 1



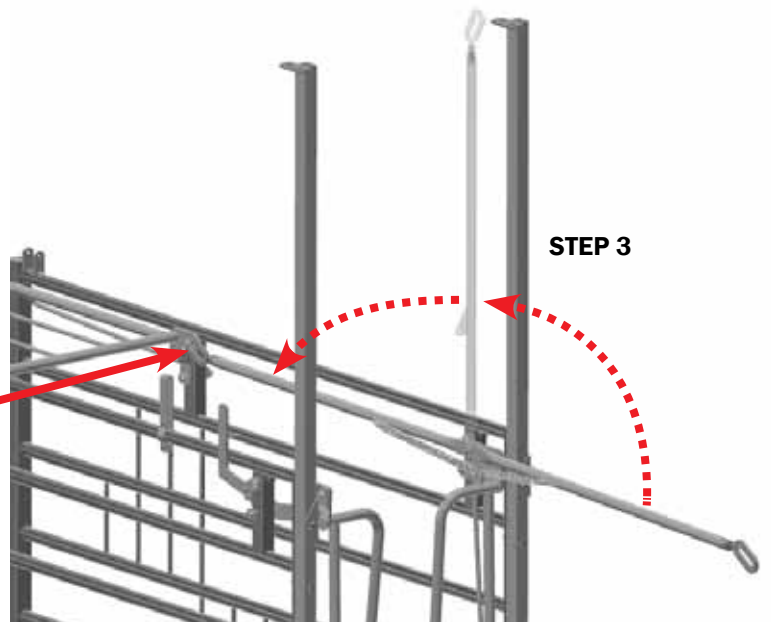
STEP 2



STEP 4



STEP 3

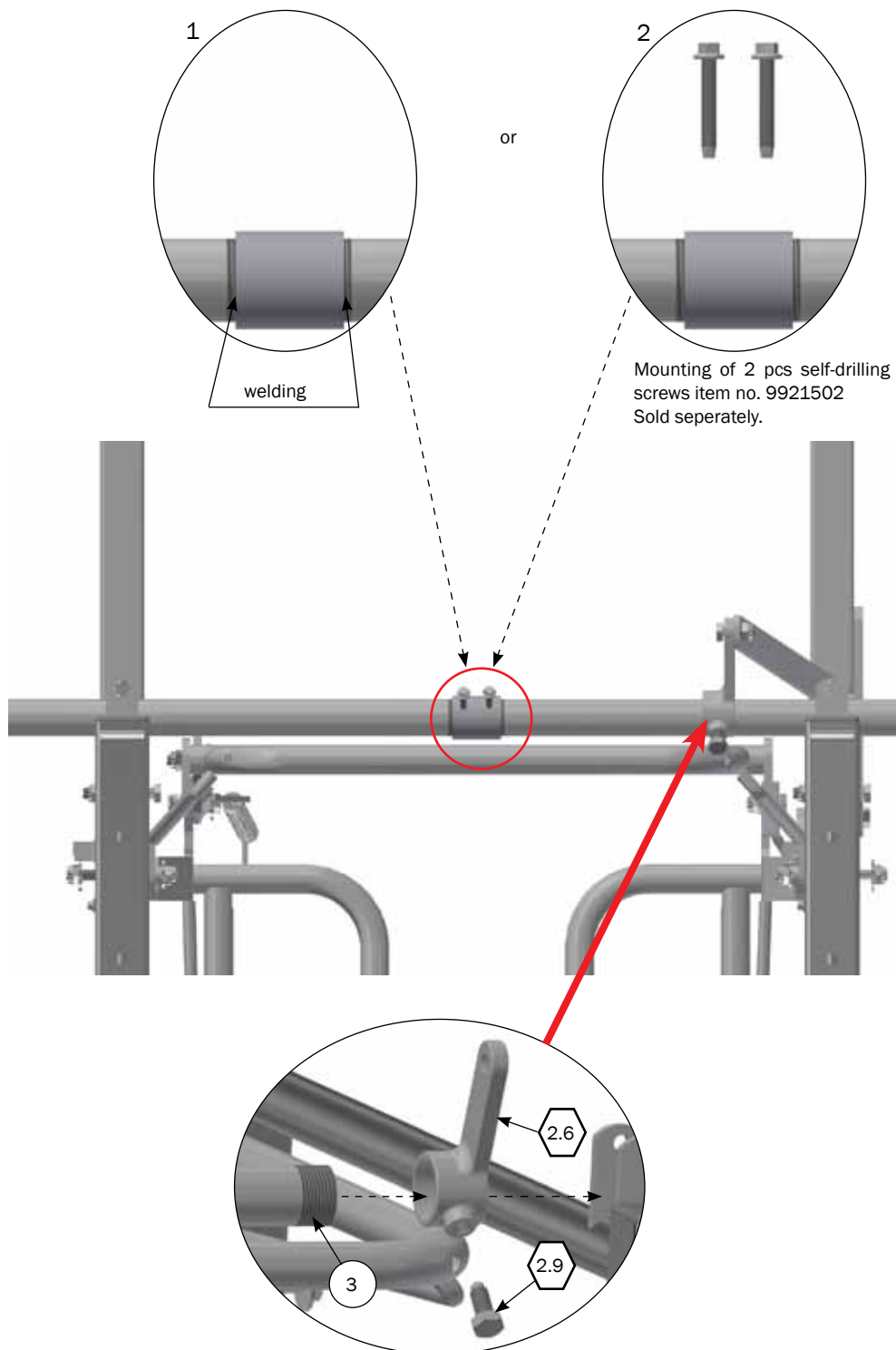


⬡ For parts list look at page 8

M-6145\_GB

# MOUNTING OF LOCKING RINGS

It's recommended when assembly of pipes :

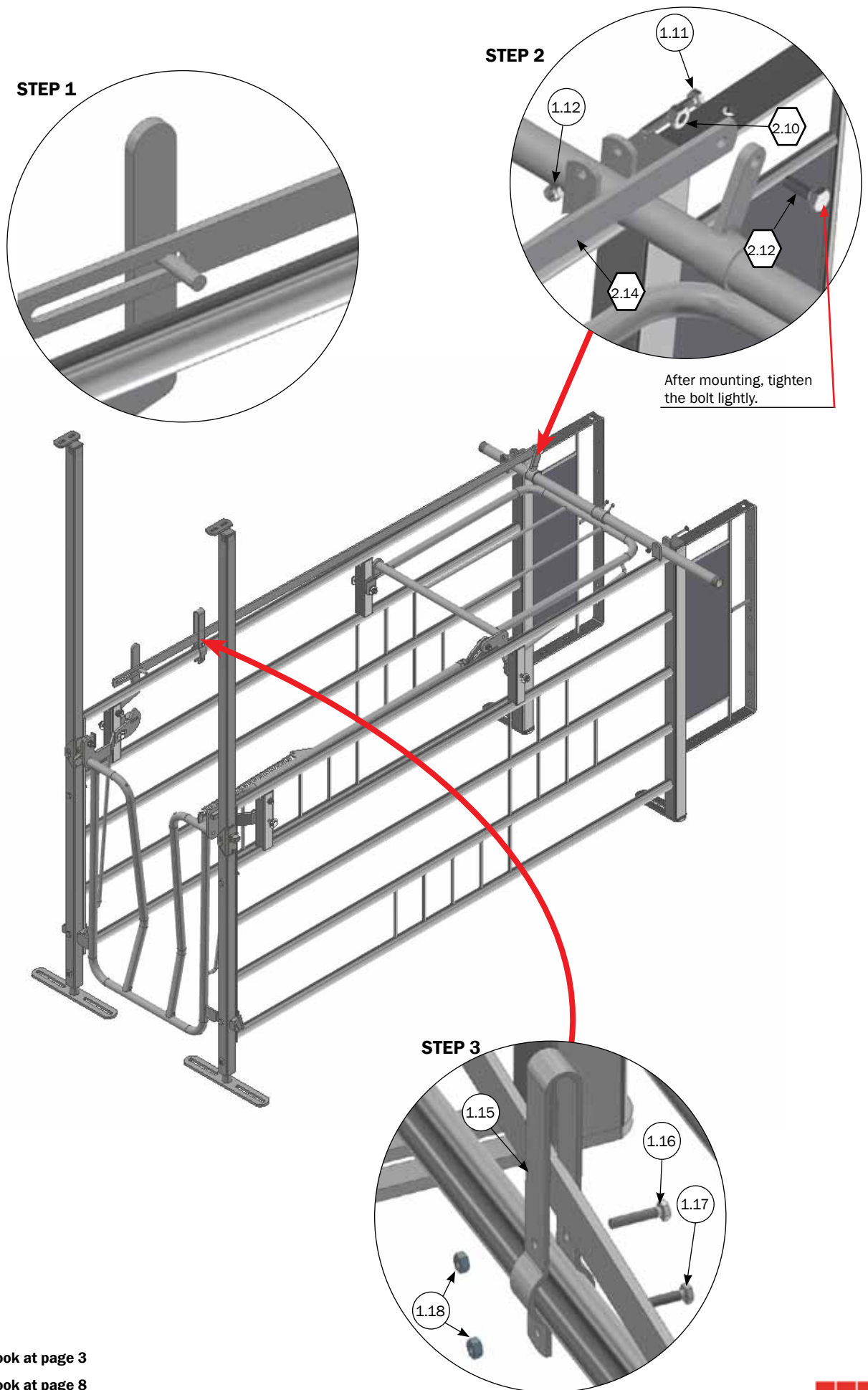


## PARTS LIST

No.	PCS.	ITEM No.	DESCRIPTION
3	1	1900240	PIPE 1' GALVANIZED, 6 METER WSPLICING SLEEVE, PRICE PER PIECE, LENGTH 6 METER

⬡ For parts list look at page 8  
M-6145\_GB

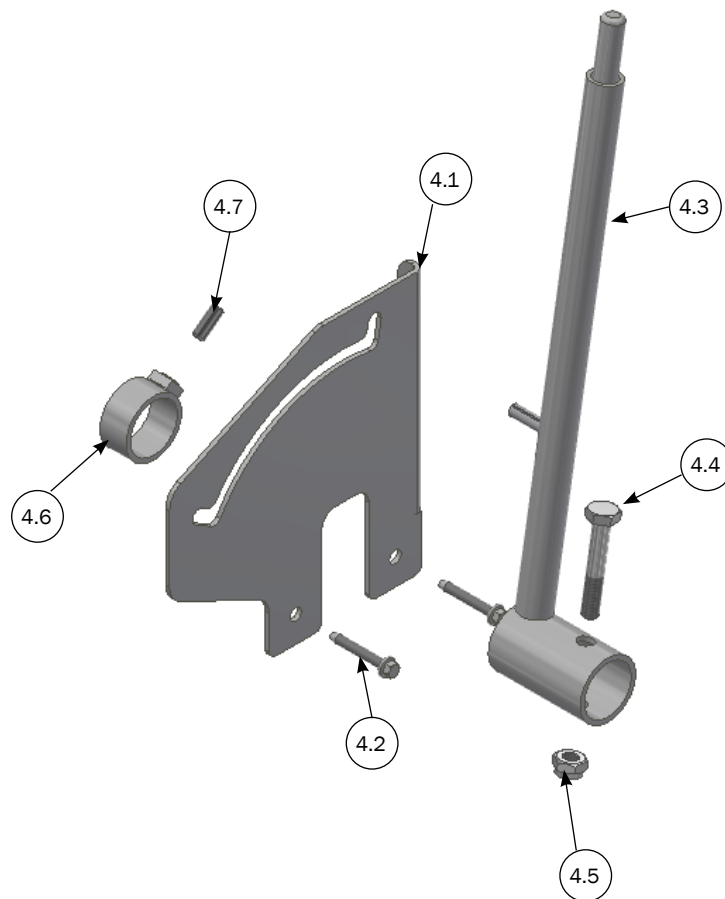
# MOUNTING OF GUIDE FOR LOCKING HANDLE STRAIGHT



○ For parts list look at page 3  
⬡ For parts list look at page 8  
M-6145\_GB

## PARTS LIST FOR CENTRAL LOCK

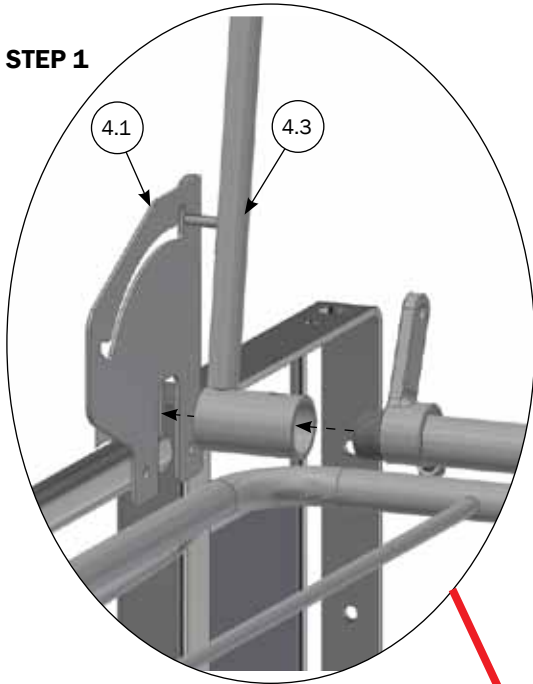
Max 20 boxes per handle.



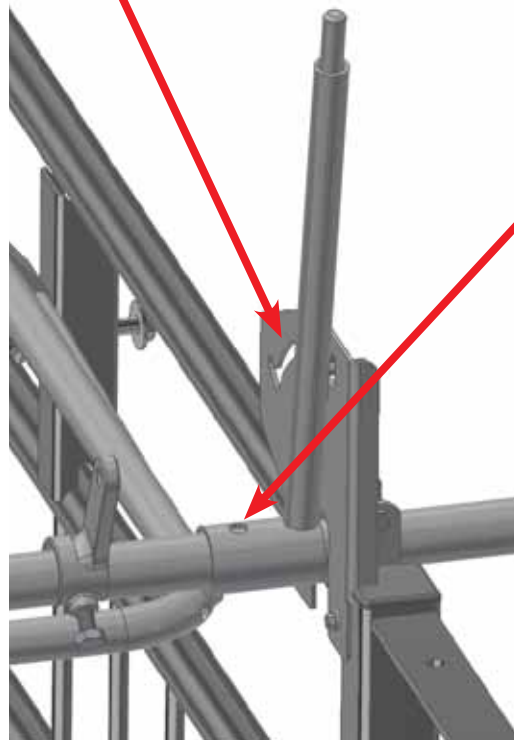
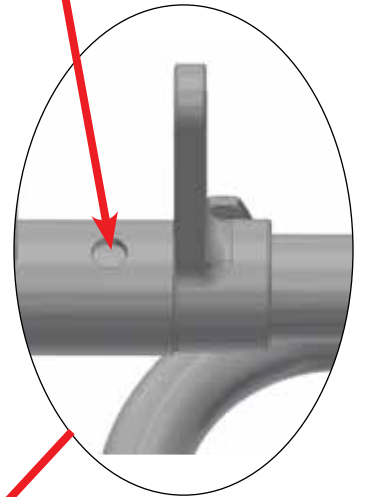
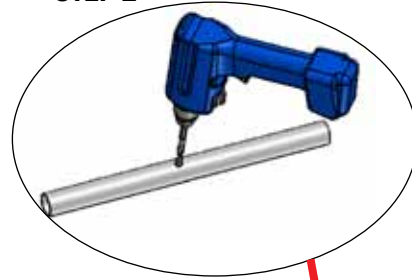
PARTS LIST			
No.	PCS.	ITEM No.	DESCRIPTION
4	1	1600190	CENTRALIZED GATE LOCKING
4.1	1	1620188	PLATE FOR CENTRALIZED LOCKING
4.2	2	9921502	SELF-DRILLING SCREW 6,3X38 FZB
4.3	1	1610150	PIN, COMPLETE
4.4	1	32510060	MACHINE SCREW M10X60 A2 DIN 931
4.5	1	33900029	LOCK NUT M10 A2 DIN 985
4.6	1	4620015	LOCKING RING FOR 1" PIPE
4.7	1	38308020	POINTED SCREW M8X20 DIN 914

## MOUNTING OF CENTRAL LOCK ON PIPES

STEP 1

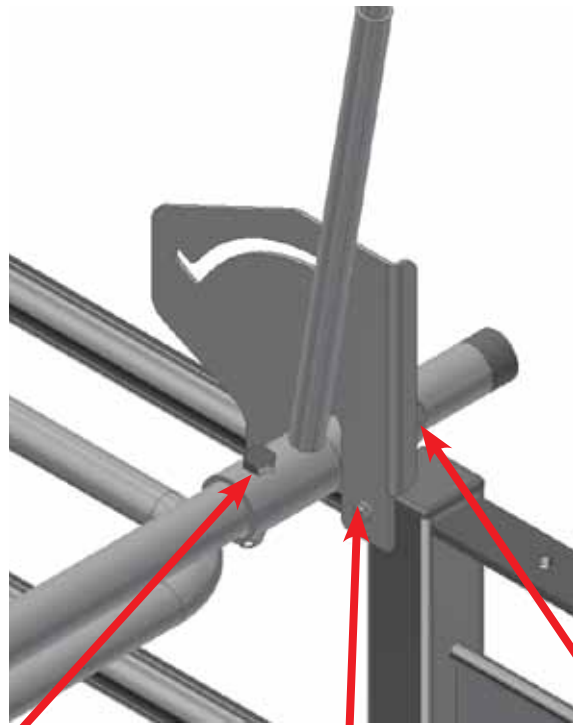


STEP 2

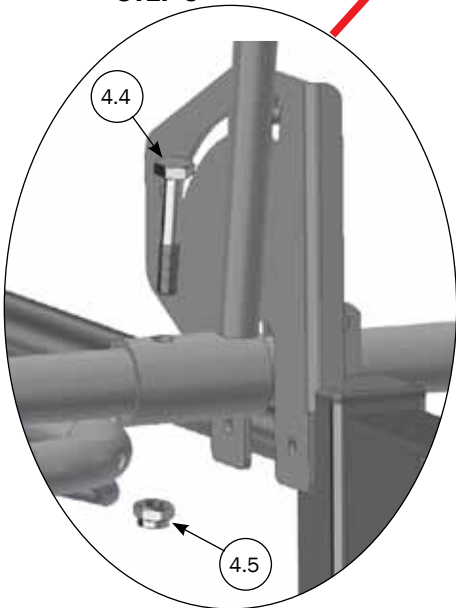


○ For parts list look at page 14  
M-6145\_GB

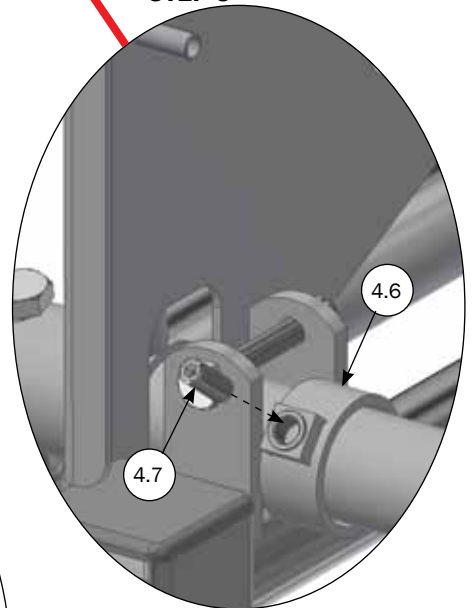
## MOUNTING OF CENTRAL LOCK ON PARTITION



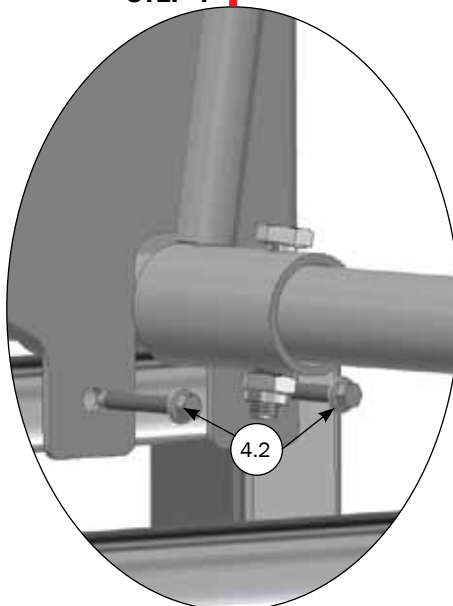
**STEP 3**



**STEP 5**



**STEP 4**

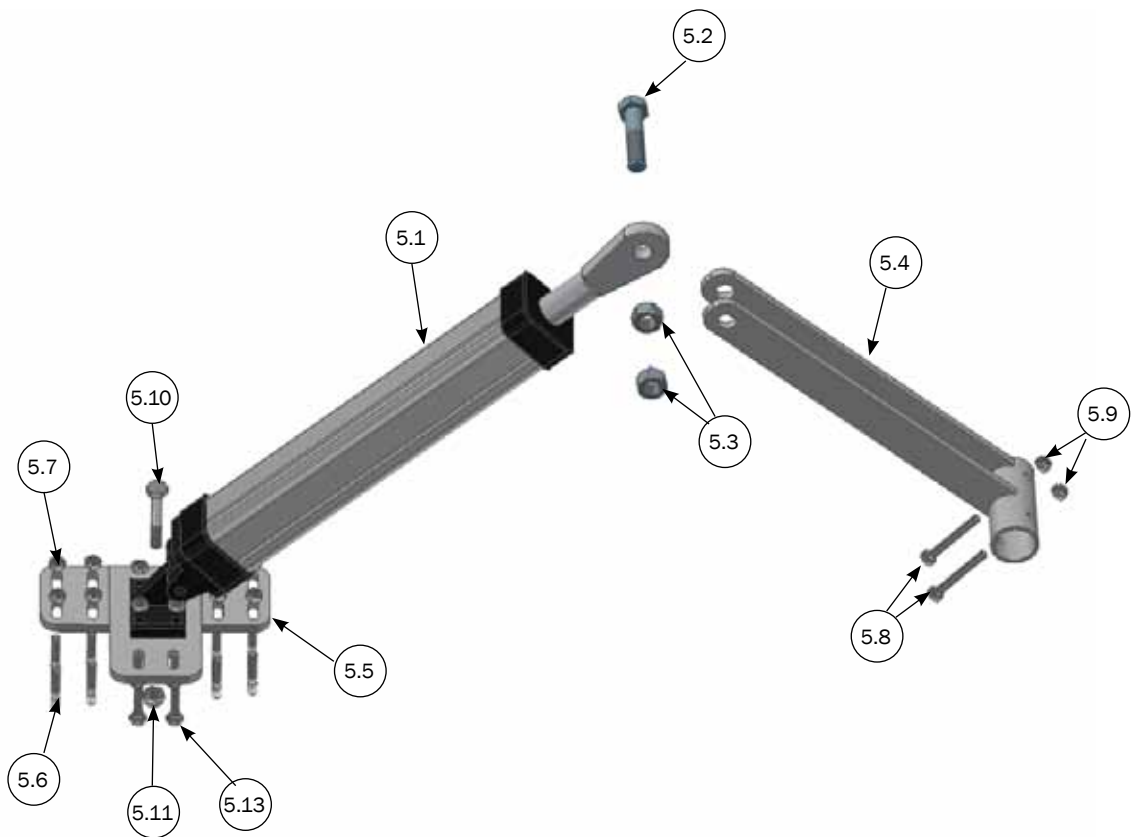


○ For parts list look at page 14  
M-6145\_GB



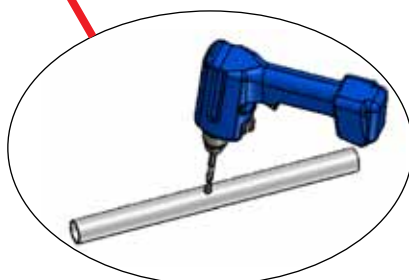
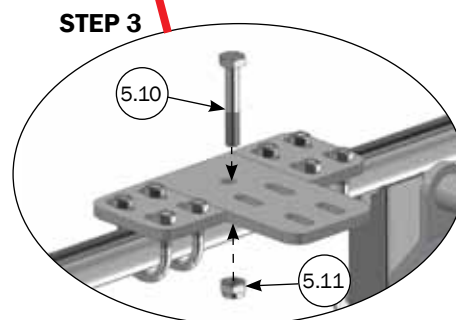
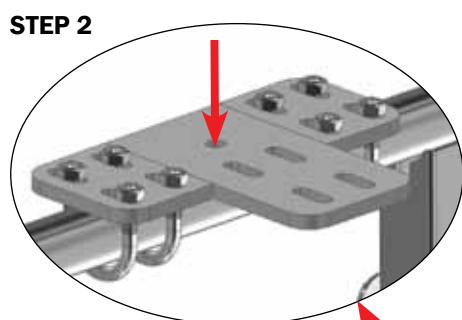
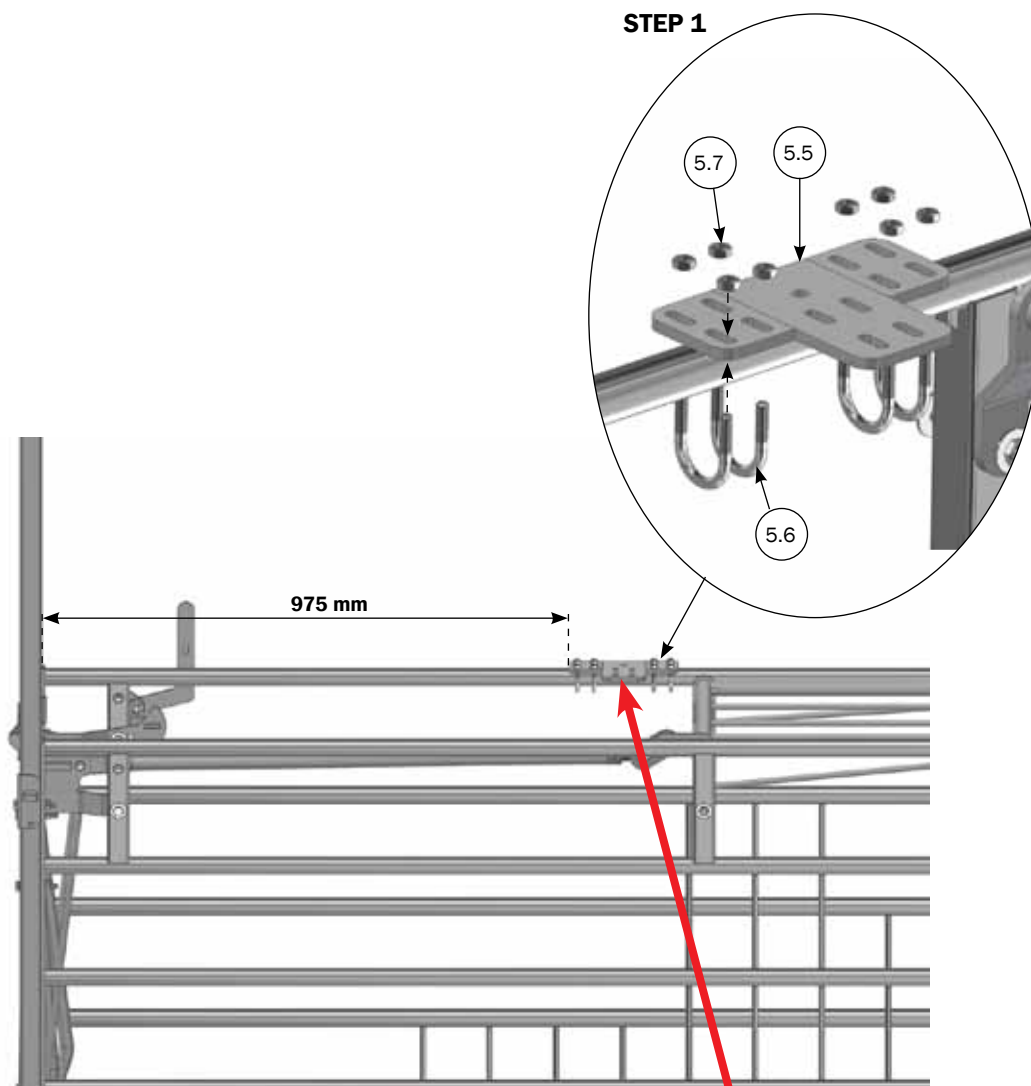
## PARTS LIST ON CENTRALIZED LOCK F/COMFORT BOX COMPRESSED AIR

Max 60 boxes per cylinder.



PARTS LIST			
No.	PCS.	ITEM No.	DESCRIPTION
5	1	1600529	CENTRALIZED LOCK F/COMFORT BOX COMPRESSED AIR MAX 60 BOXES PER CYLINDER
5.1	1	12450300	AIR CYLINDER Ø50X300MM WITH 5/3' SOLENOID VALVE 24 VDC
5.2	1	32501670	MACHINE BOLT M16X70 A2
5.3	2	33900016	NUT M16 A2 DIN 934
5.4	1	1620354	AIRLOCK ARM
5.5	1	4920531	PLATE FOR AIRLOCK
5.6	4	90100062	U-BOLT 1' STAINLESS
5.7	12	33508013	NUT M8 A2 DIN 934
5.8	2	30308060	SET SCREW M8X60 A2 DIN 933
5.9	2	33908001	LOCK NUT M8 A2 DIN 985
5.10	1	32510055	MACHINE SCREW M10X55 A2 DIN 931
5.11	1	33900029	LOCK NUT M10 A2 DIN 985
5.12	2	20200001	NYLON HOSE 8/6 - WHITE
5.13	4	30308035	SET SCREW M8X35 A2 DIN 933

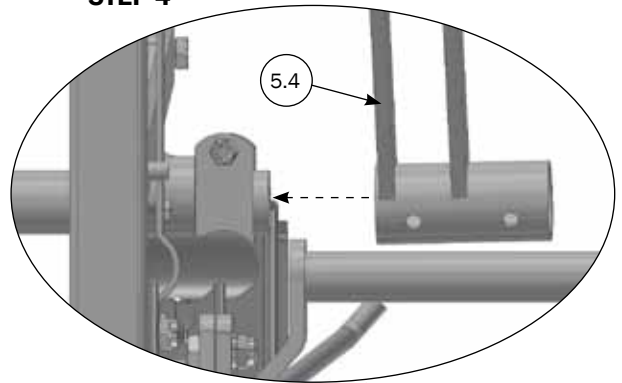
# MOUNTING OF CENTRALIZED LOCK F/COMFORT BOX COMPRESSED AIR



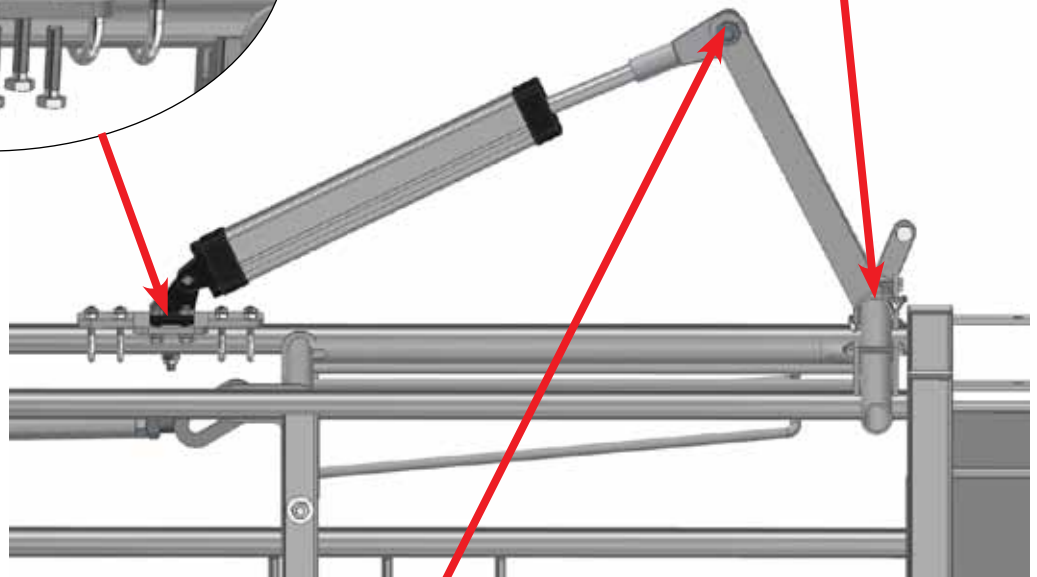
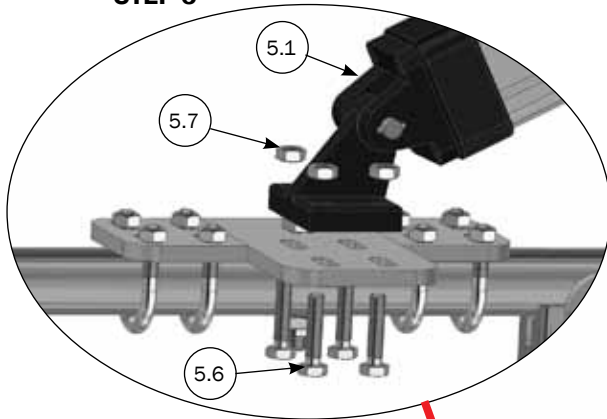
○ For parts list look at page 17  
M-6145\_GB

# MOUNTING OF CENTRALIZED LOCK F/COMFORT BOX COMPRESSED AIR

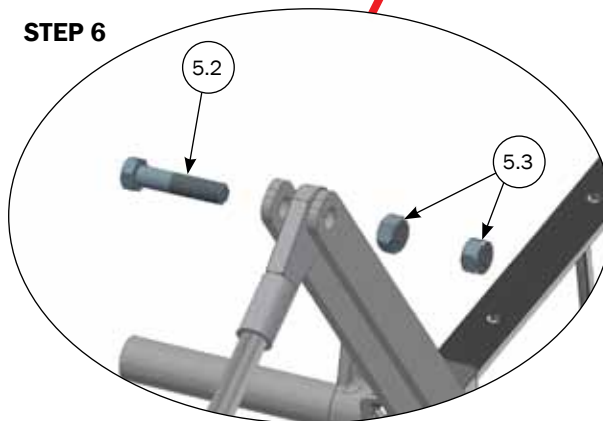
STEP 4



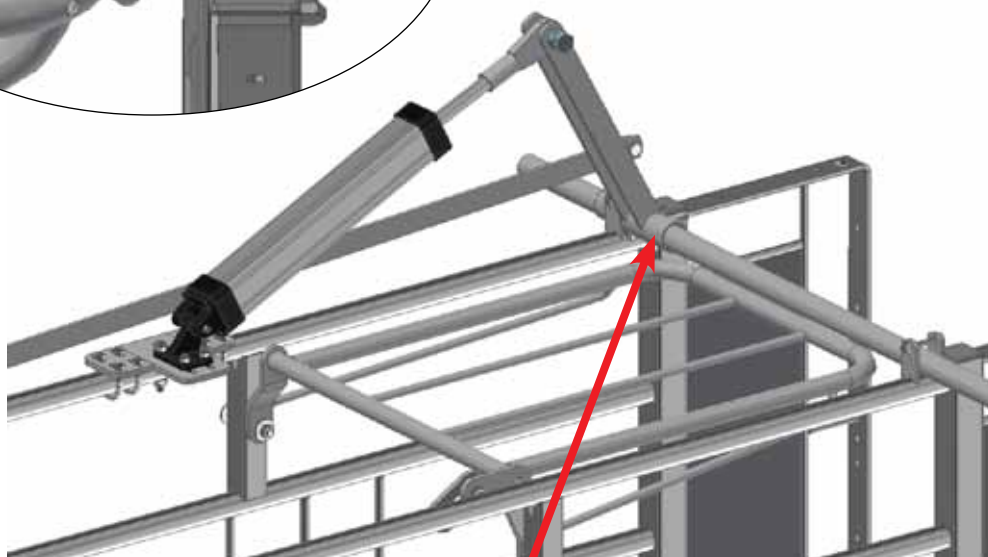
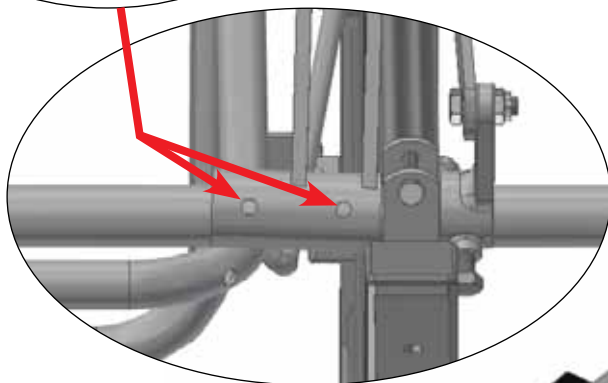
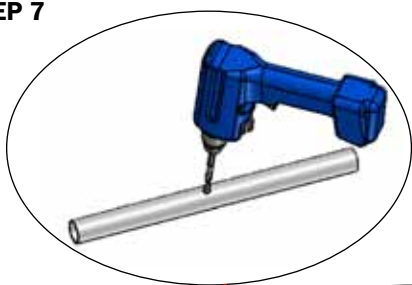
STEP 5



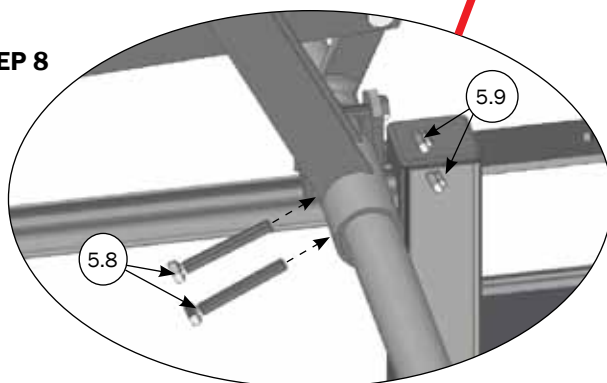
STEP 6



## STEP 7



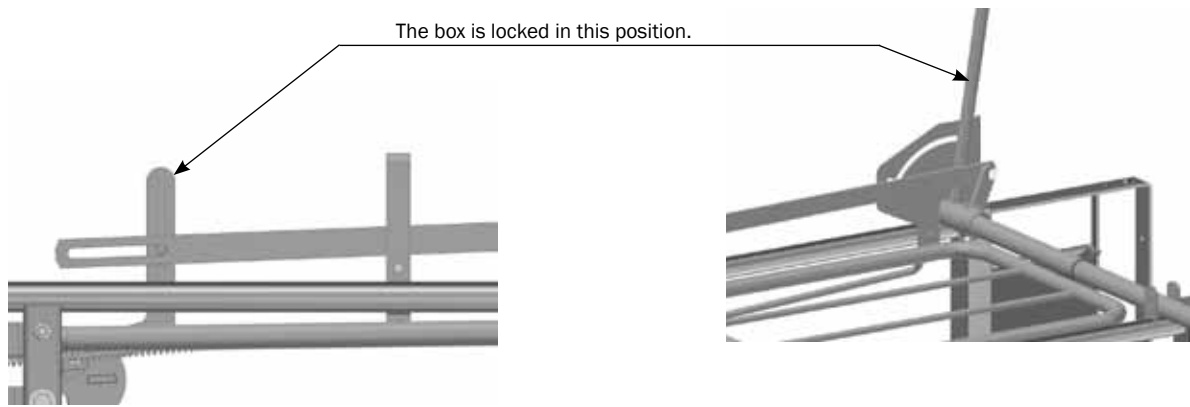
## STEP 8



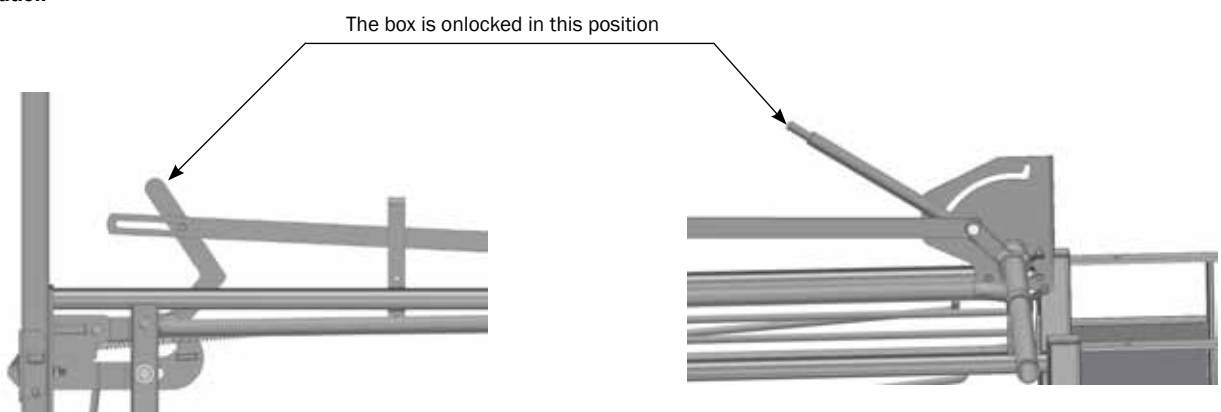
○ For parts list look at page 17  
M-6145\_GB

# POSITIONS ON CENTRAL LOCK F/COMFORT BOX MANUALLY / COMPRESSED AIR

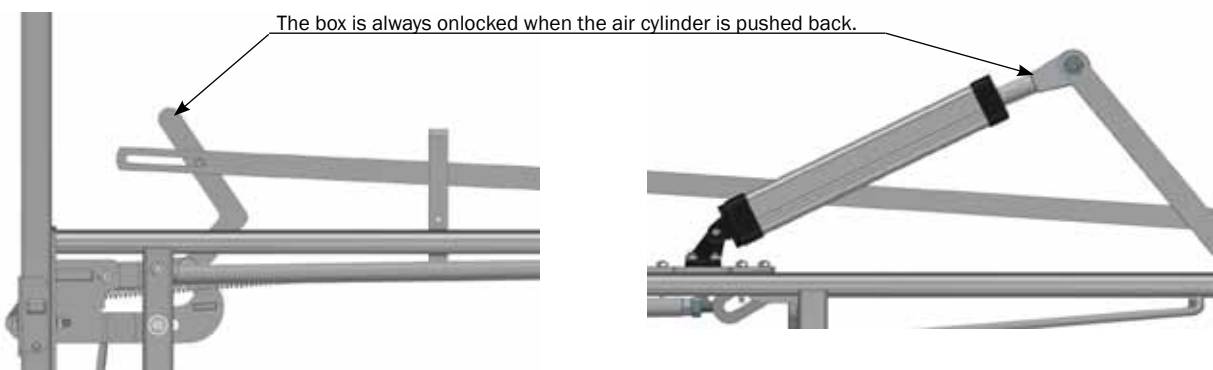
## Picture illustration



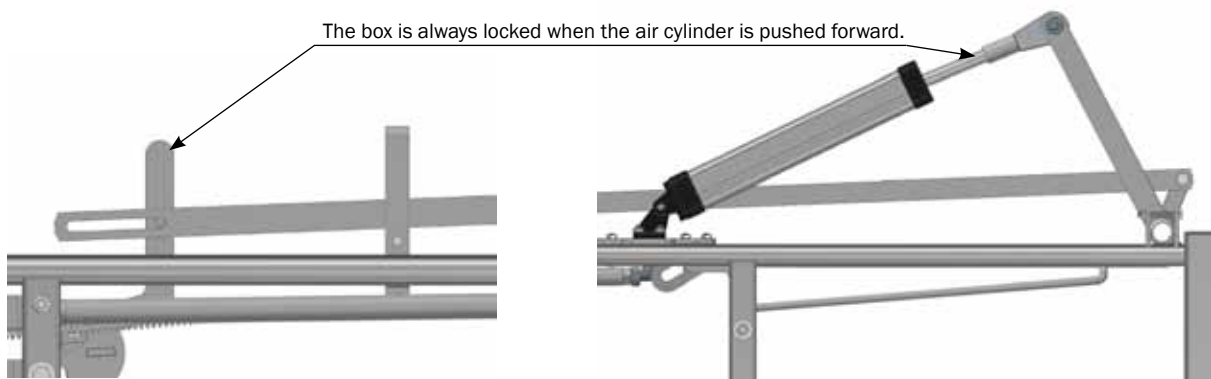
## Picture illustration



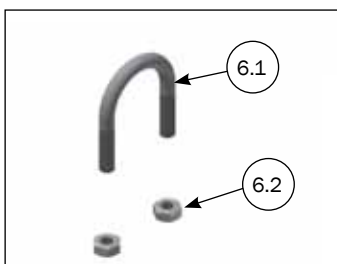
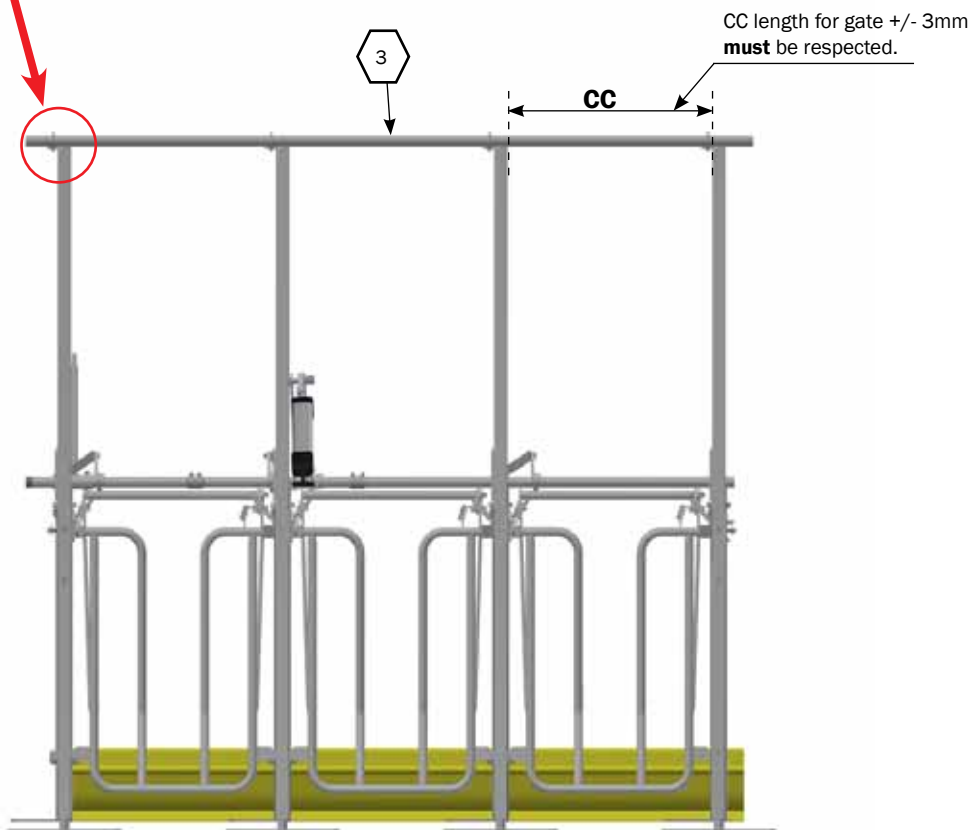
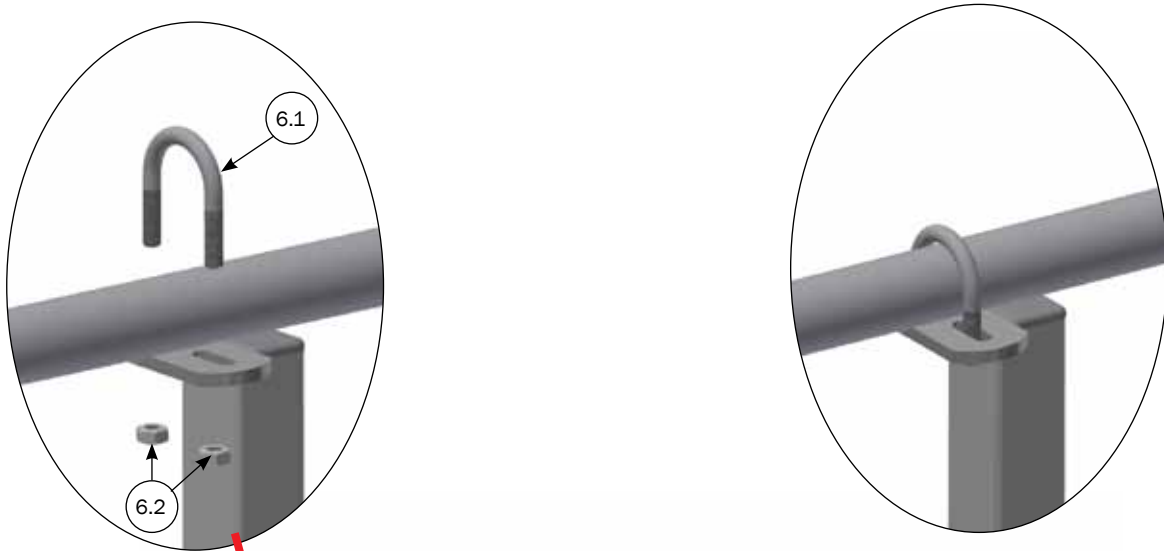
## Picture illustration



## Picture illustration



## MOUNTING OF U-BOLT ON POST FOR STABILIZATION

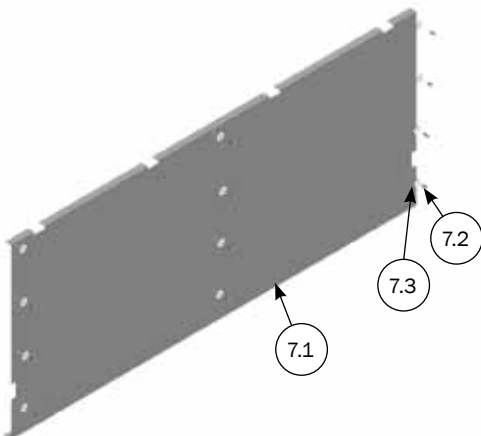
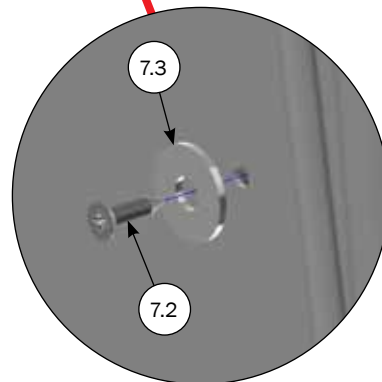
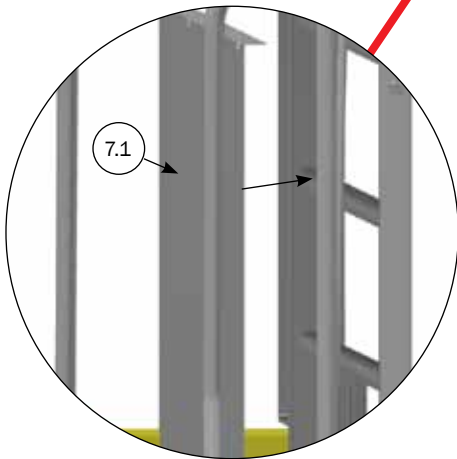
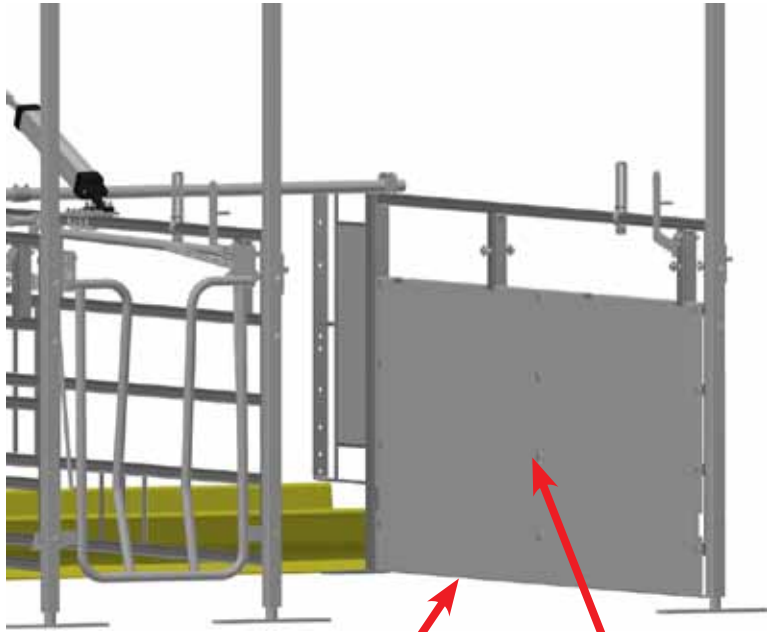


PARTS LIST			
No.	PCS.	ITEM No.	DESCRIPTION
6	1	1900109	U-BOLT 1', INCL NUTS GALVANISED
6.1	1	90100049	U-BOLT 1'X8X50 MM EL-Z
6.2	2	33208014	NUT M8 FZV DIN 934

⬡ For parts list look at page 12

M-6145\_GB

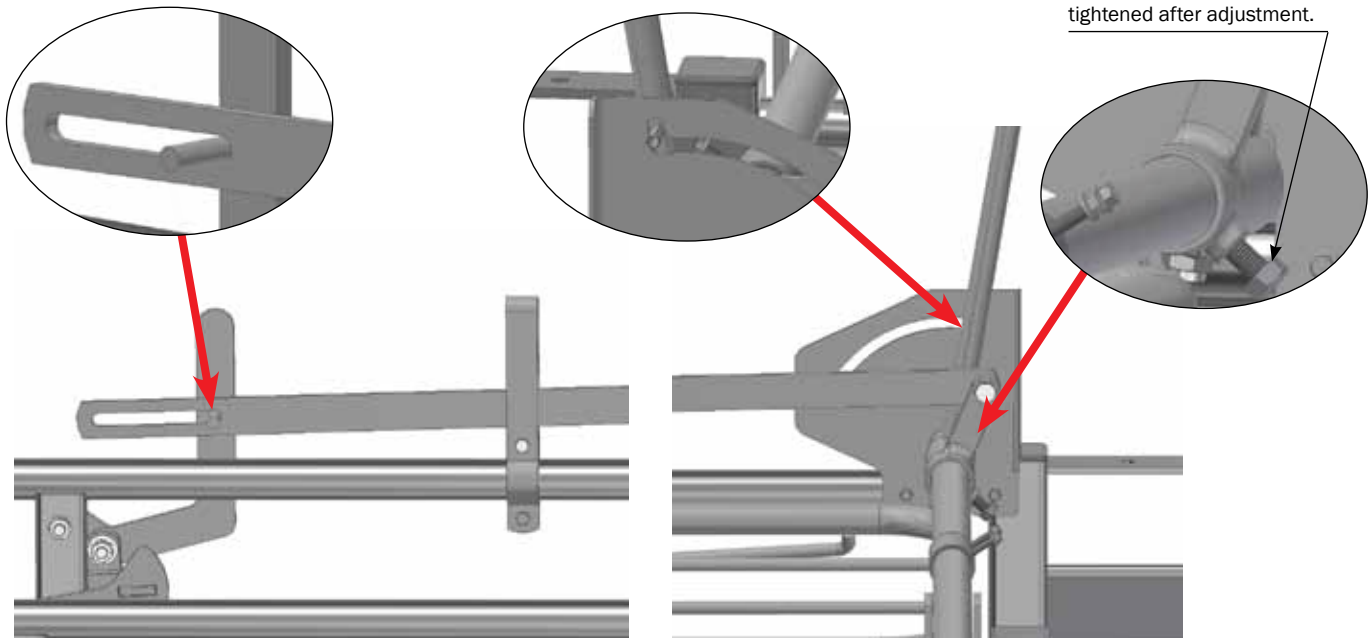
## MOUNTING OF END PARTITION KIT



PARTS LIST			
No.	PCS.	ITEM No.	DESCRIPTION
7	1	1600376	END PARTITION KIT SHORT EXCL.PARTITION
7.1	1	8440142	COVER PLATTE FOR PARTITION 240CM
7.2	1	39906025	SELF-DRILLING SCREW 6,3X25 UHFZB DIN 7504 P
7.3	1	35900085	NUT WASHER Ø10X10,5/30/2,5 A2DIN 9021

## ADJUSTMENT OF CENTRAL LOCK

Correct position after adjustment of central lock in locked position.



## MAINTENANCE OF FRONT-/REAR GATE

