

M-6190_GB

MOUNTING INSTRUCTION



JUMB-O-FINE



ACO FUNKI A/S

Kirkevænget 5
DK-7400 Herning

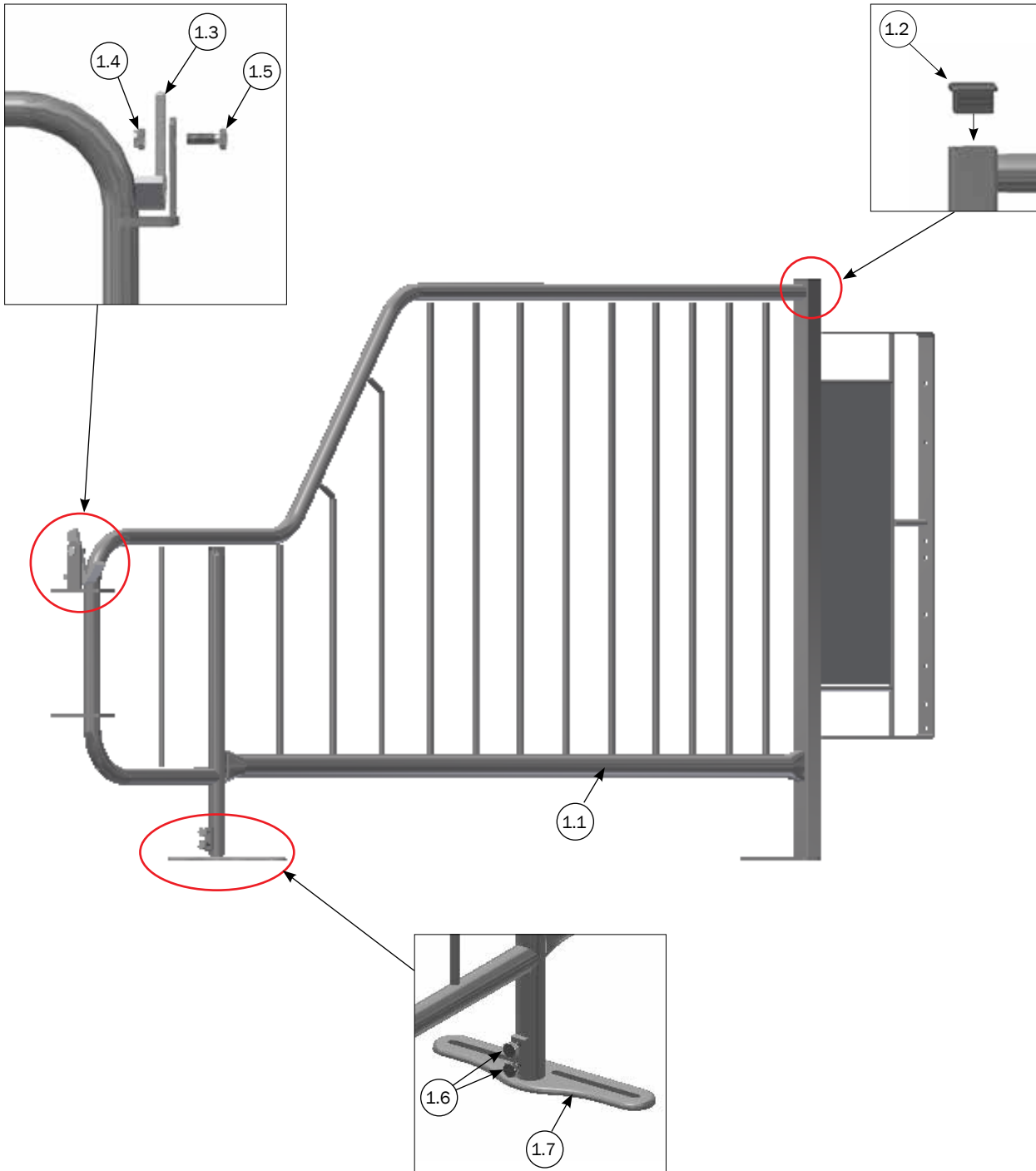
Tel. +45 9711 9600

Fax +45 9711 9677

www.acofunki.com

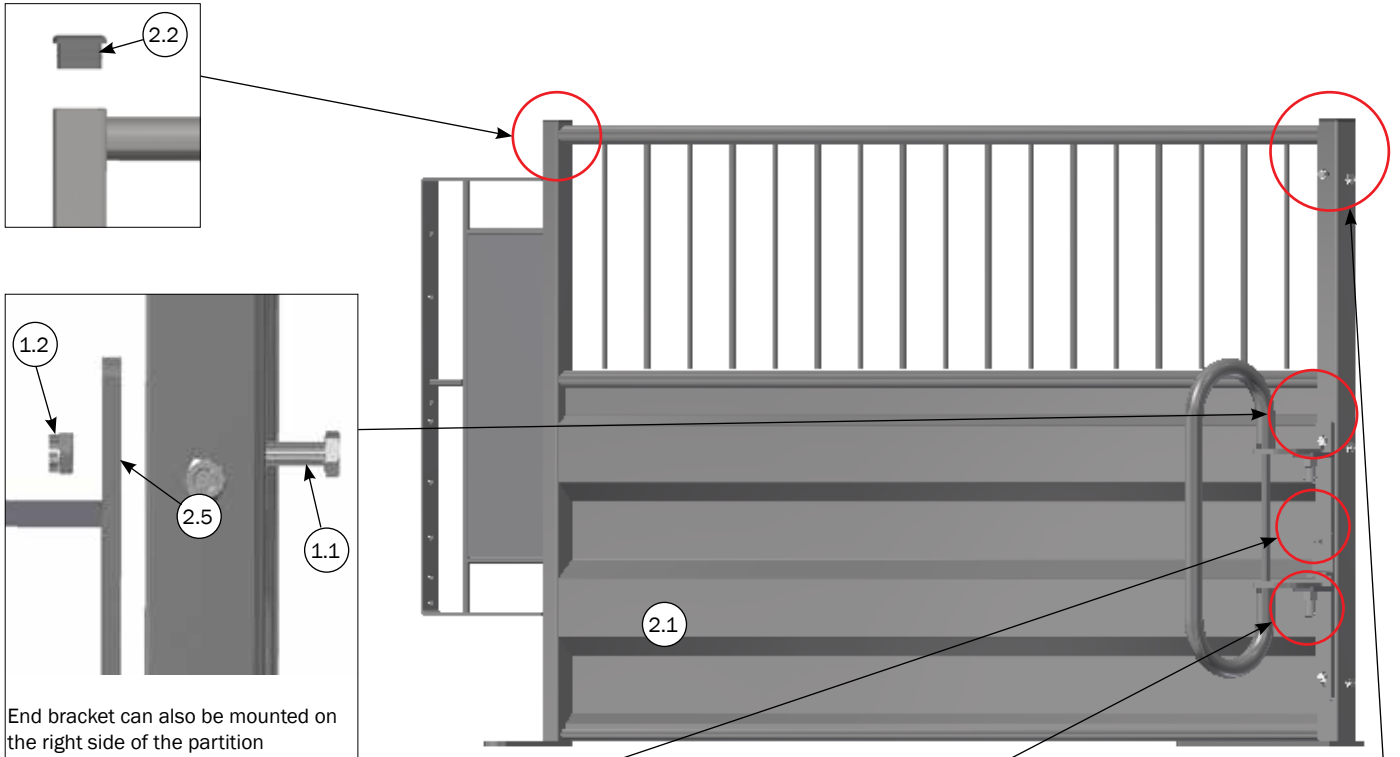
DANISH DESIGN | GERMAN QUALITY | GLOBAL EXPERIENCE

MOUNTING OF PARTITION

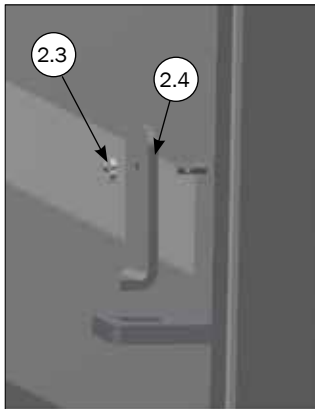


PART LIST			
NO.	PCS.	ITEM NO.	DESCRIPTION
1	1	1200500	PARTITION JUMB-O-FINE 237 CM BOX
1.1	1	1220500	PARTITION JUMB-O-FINE 237 CM
1.2	1	9960003	CAP 40 X 40 X 1.5 - 4.0
1.3	1	1215322	LOCK FOR DUO-DOOR
1.4	1	33900029	LOCK NUT M10 A2 DIN 985
1.5	1	30310030	SET SCREW M10X30 A2 DIN 933
1.6	2	30310020	SET SCREW M10X20 A2 DIN 933
1.7	1	1220420	ADJUSTABLE SUPPORT Ø25 CONFINE BOX

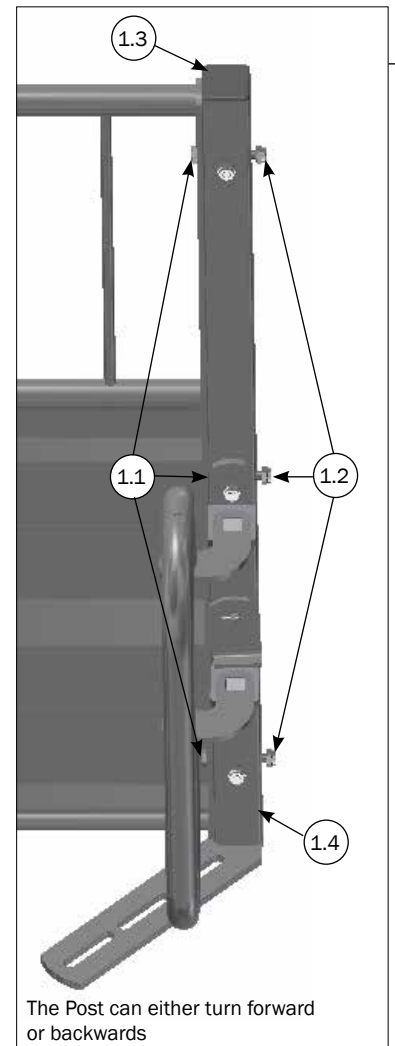
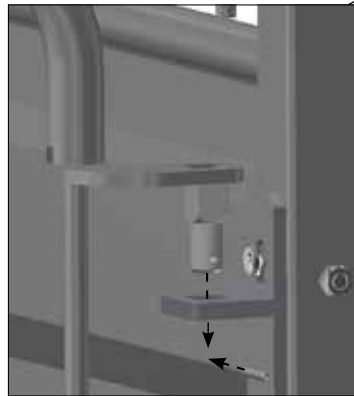
MOUNTING OF ENDEPARTITION AND POST



End bracket can also be mounted on the right side of the partition



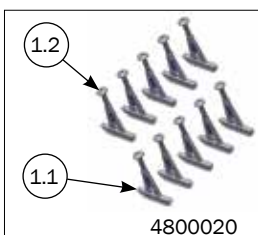
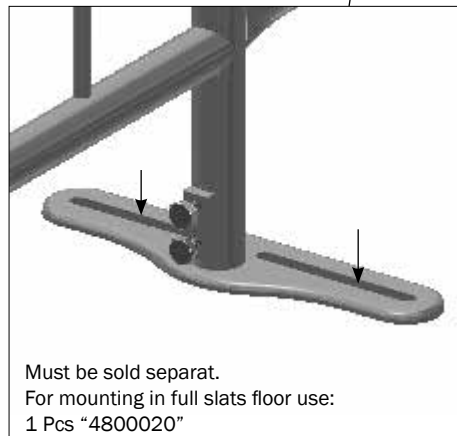
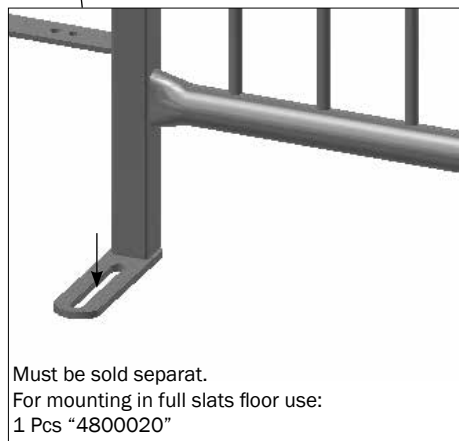
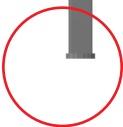
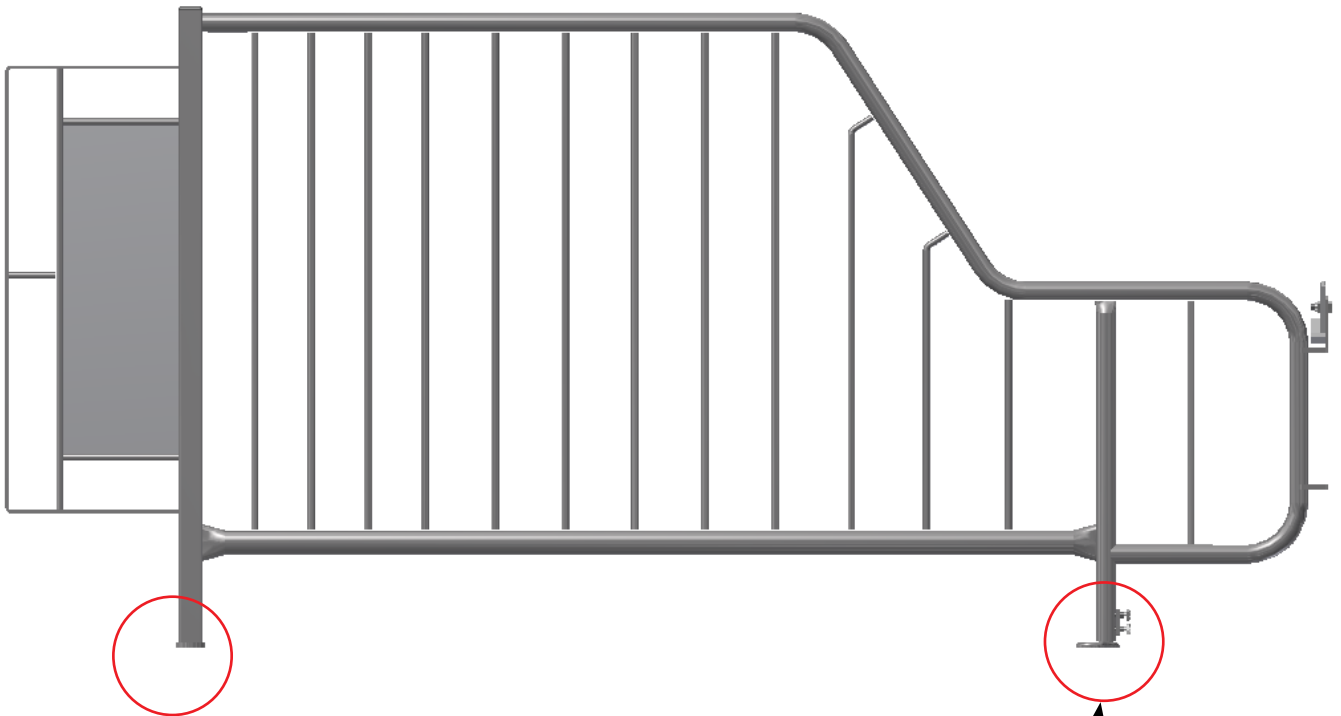
Lock latch can also be mounted on the right side of the partition



The Post can either turn forward or backwards

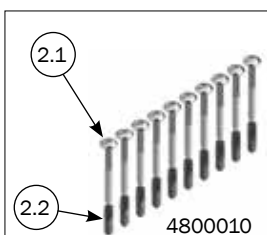
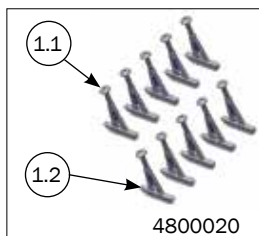
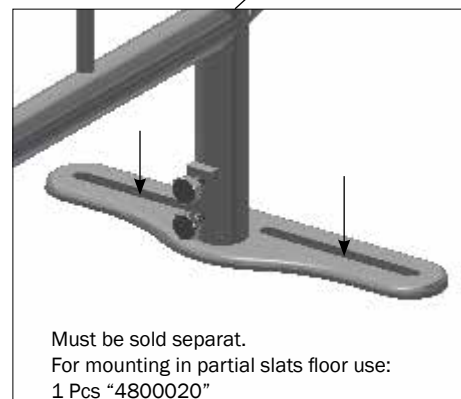
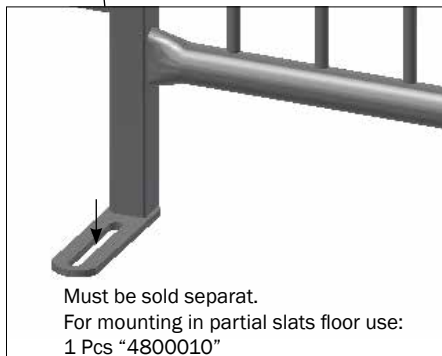
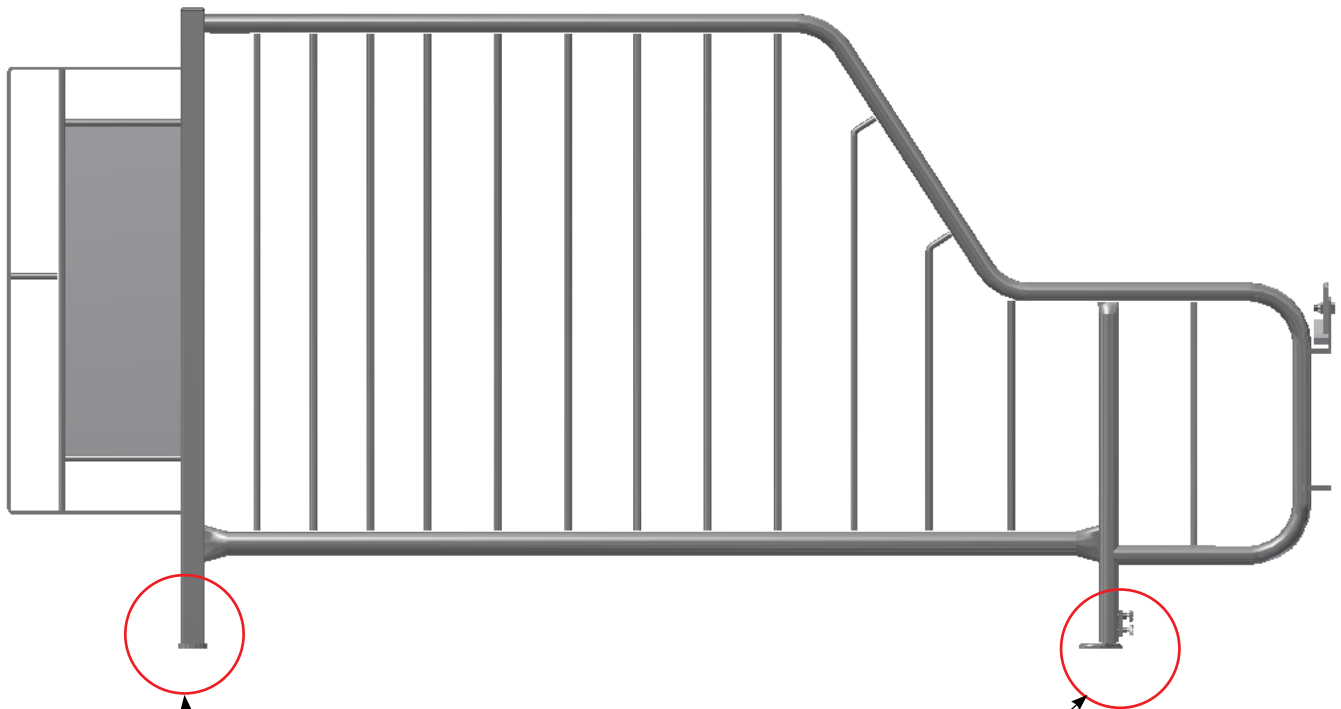
PART LIST			
NO.	PCS.	ITEM NO.	DESCRIPTION
		4000643	HIGH POST INCL. SCREWS AND NUTS
1	1	4000642	LOW POST INCL. SCREWS AND NUTS
1.1	6	32510070	MACHINE SCREW M10X70 A2 QUAL.10.9 DIN 931
1.2	6	33900029	LOCK NUT M10 A2 DIN 985
1.3	1	9960005	CAP 50X50X5
1.4	1	4020642	LOW POST
2	1	1200501	END PARTITION JUMB-O-FINE 237CM BOX
2.1	1	1220501	END PARTITION JUMB-O-FINE 195CM
2.2	6	9960003	CAP 40 X 40 X 1.5 - 4.0
2.3	6	35900108	SPLIT 3,2 X 20 A2
2.4	1	58821	LOCK LATCH F/SALOONGATE
2.5	1	1220498	END BRACKET FOR DUOGATE

MOUNTING IN FULL SLATS FLOOR



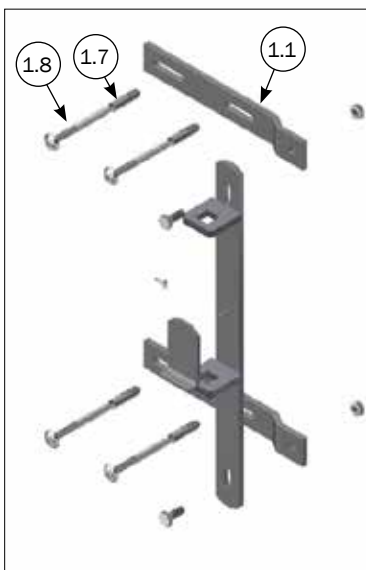
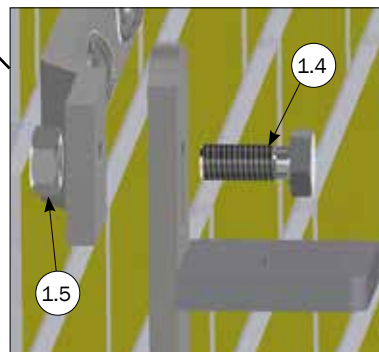
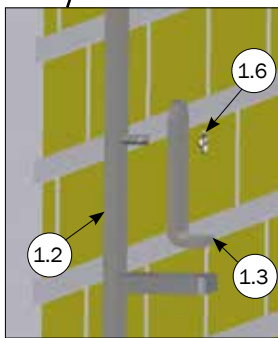
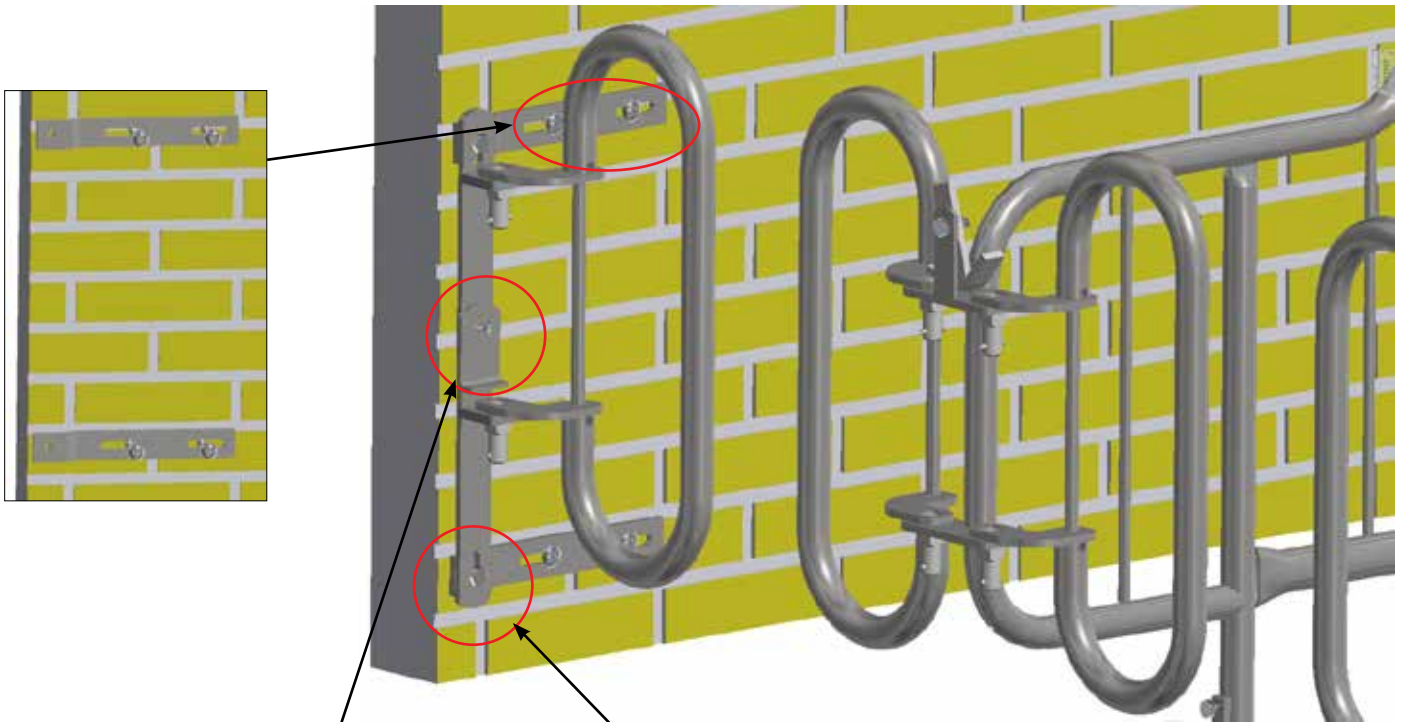
PART LIST			
NO.	PCS.	ITEM NO.	DESCRIPTION
1	1	4800020	10 PCS. T-BOLT FOR CONCRETE SLATS STAINLESS STEEL
1.1	(10) 3	90100078	T-BOLT CAST M10 STAINLESS STEEL
1.2	(10) 3	30310080	BUTTON HEAD TORX 50 M10X80 STAINLESS STEEL

MOUNTING IN PARTIAL SLATS FLOOR



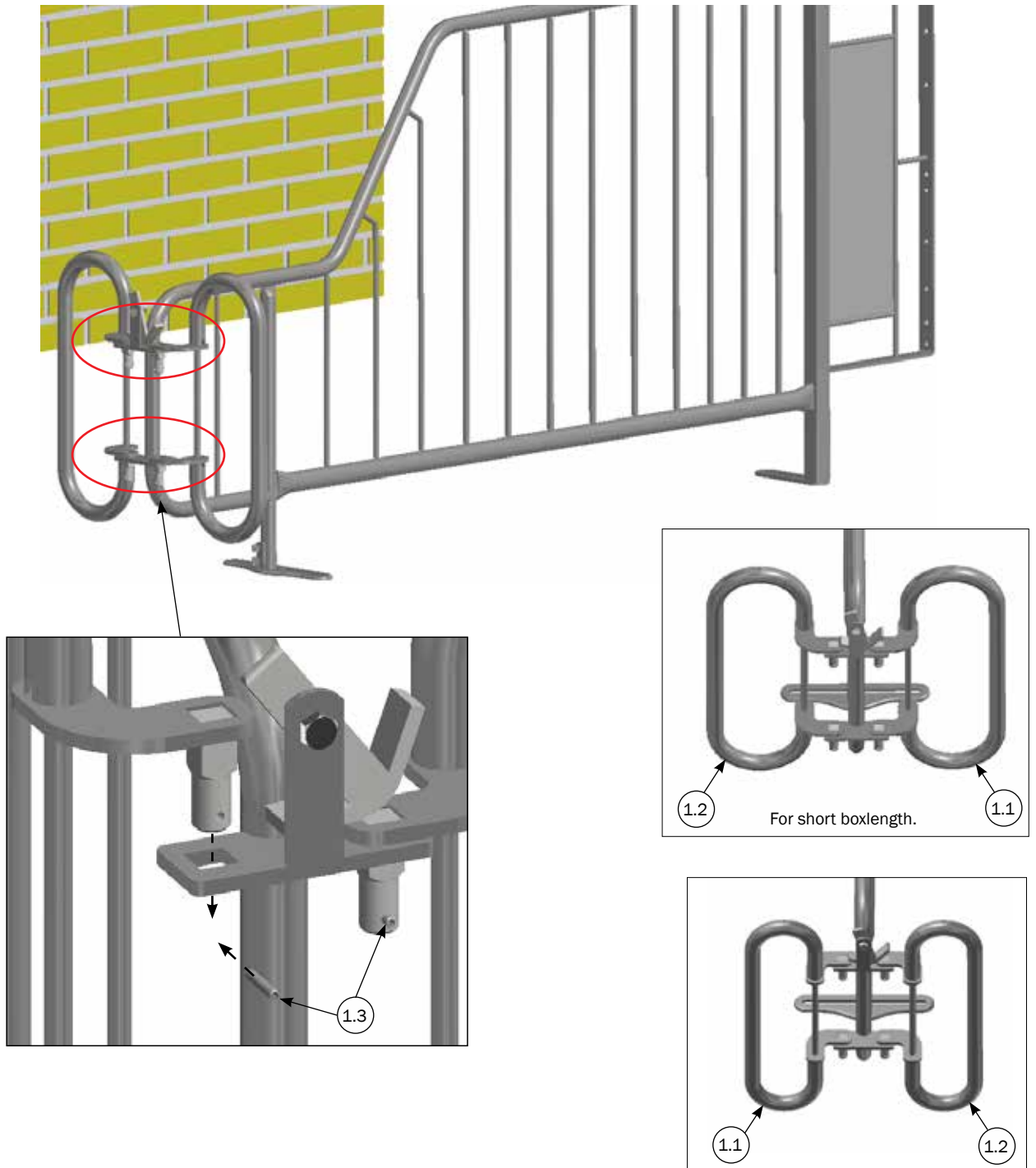
PART LIST			
NO.	PCS.	ITEM NO.	DESCRIPTION
1	1	4800020	10 PCS. T-BOLT FOR CONCRETE SLATS STAINLESS STEEL
1.1	(10) 2	90100078	T-BOLT CAST M10 STAINLESS STEEL
1.2	(10) 2	30310080	BUTTON HEAD TORX 50 M10X80 STAINLESS STEEL
2	1	4800010	10 PCS. SS BUTTON HEAD SCREWSM10X70 + WALL PLUG
2.1	(10) 1	67444	M10 X 70 BUTTON HEAD TORX 50 STAINLESS STEEL
2.2	(10) 1	39900001	WALL PLUG 12X60 MM

MOUNTING OF END BRACKET IN WALL



PART LIST			
NO.	PCS.	ITEM NO.	DESCRIPTION
1	1	1200498	END BRACKET FOR DUOGATE INCL.SCREWS
1.1	2	58816HG	BRACKETS FOR SALOONGATE
1.2	1	1220498	END BRACKET FOR DUOGATE
1.3	1	58821	LOCK LATCH F/SALOONGATE
1.4	2	30310025	SET SCREW M10X25 A2 DIN 933
1.5	2	33510017	NUT M10 A2 DIN 934
1.6	1	35900108	SPLIT 3,2 X 20 A2
1.7	4	39900001	WALL PLUG 12X60 MM
1.8	4	67444	M10 X 70 BUTTON HEAD TORX 50 STAINLESS STEEL

MOUNTING OF DUO GATE



PART LIST			
NO.	PCS.	ITEM NO.	DESCRIPTION
		1200575	DUOGATE BOX WIDTH 71-78 CM
1	1	1200565	DUOGATE BOX WIDTH 62-70 CM
1.1	1	1220510	DUOGATE RIGHT NARROW
1.2	1	1220509	DUOGATE LEFT NARROW
1.3	2	35900012	TENSION PIN Ø5X30 BLACK DIN 1481

For further information see also:

M-6183 FRONT BARS
M-6191 MAITING GATE
M-6194 FRONT GATES
M-8025 SUSPENDED STAINLESS TROUGH