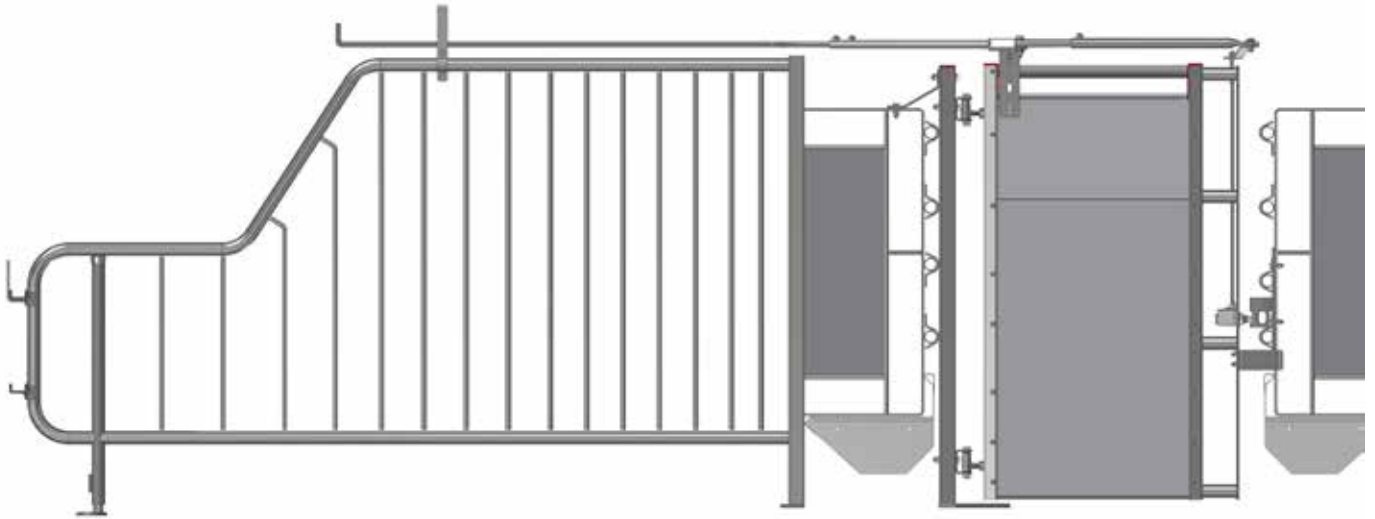


MOUNTING INSTRUCTION



MATING GATE

AISLE WIDTH 70-105 CM



ACO FUNKI A/S

Kirkevænget 5
DK-7400 Herning

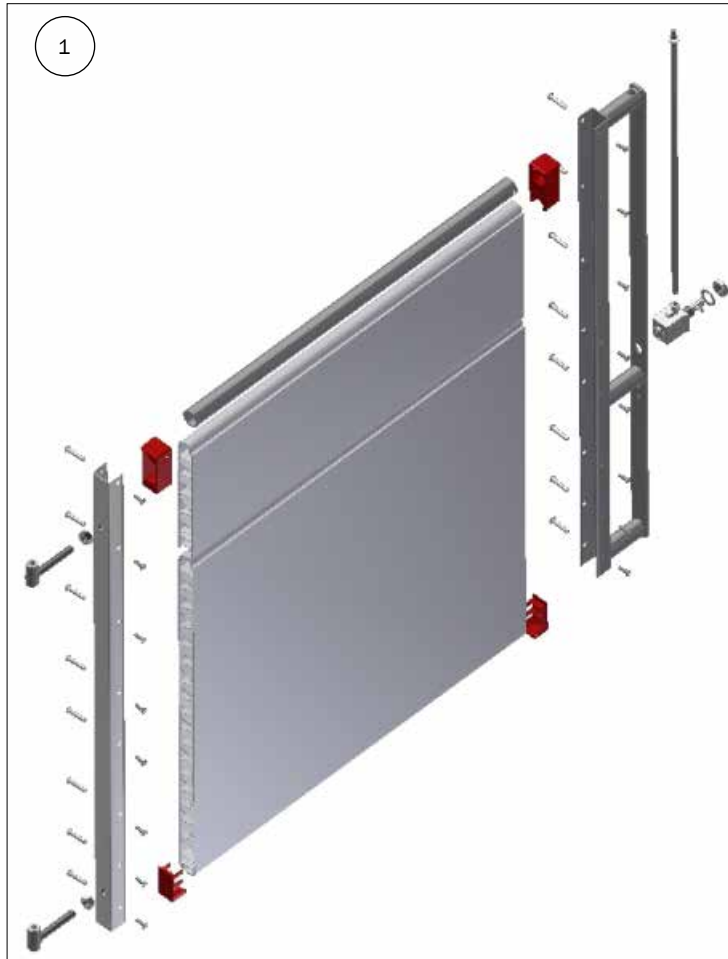
Tel. +45 9711 9600

Fax +45 9711 9677

www.acofunki.com

DANISH DESIGN | GERMAN QUALITY | GLOBAL EXPERIENCE

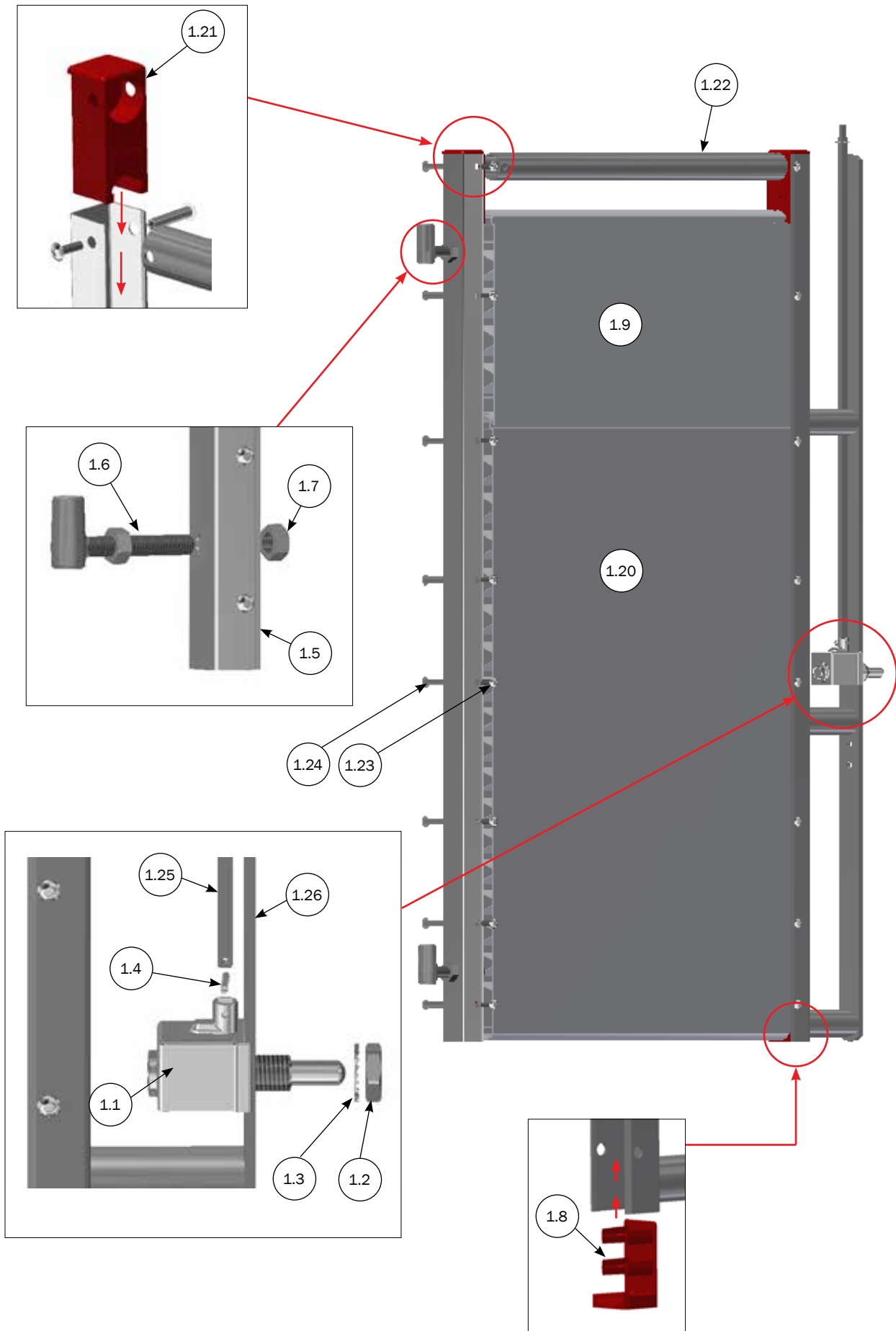
UNASSEMBLED MATING GATE



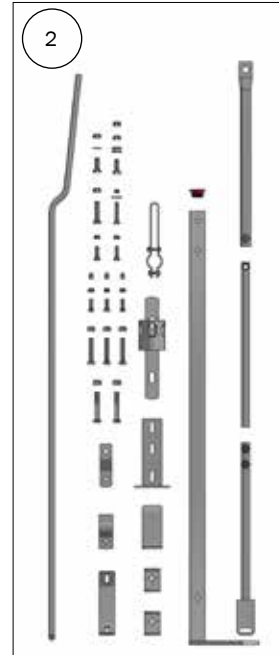
PART LIST

NO.	PCS.	ITEM NO.	DESCRIPTION
1	1	1900295	UNASSEMBLED MATING GATE H110,JUMBOFINE AND LD BOX, BOARDPROFILE/BAR ON-SITE CUSTOMIZATION
1.1	1	17120	CASE TURN LOCK
1.2	1	68593	LOCK NUT A2 20 X 1,5
1.3	1	68763	LOCK WASHER 20 MM DIN6798A
1.4	1	68895	4 X 20 RIVET
1.5	1	4050833	UPROFILE H1090 WITH NUT
1.6	2	4550427	INN-O-FLEX STUD BOLT COMPLET
1.7	2	68598	NUT 14 MM SS
1.8	2	30013	PLUG PANEL BOTTOM 50 CM/75 CM PANEL
1.9	1	8535004	BOARDPROFILE 35X250 MM L792 MM
1.20	1	8535005	BOARDPROFILE 35X750 MM L792 MM
1.21	2	8530058	TOP PLUG 1 BARS 35 MM
1.22	1	8140127	PIPE GALV. 1' WITH HOLE L765 MM
1.23	16	39106020	CONNECTION SCREW M6X20 STAINLESS TORX 30
1.24	16	39206037	SPLICING SLEEVE M6X37 STAINLESS TORX 30
1.25	1	1920292	TURN ROD 61,8 CM
1.26	1	1920275	FRONT PART FOR MATING PART

MOUNTING OF UNASSEMBLED MATING GATE



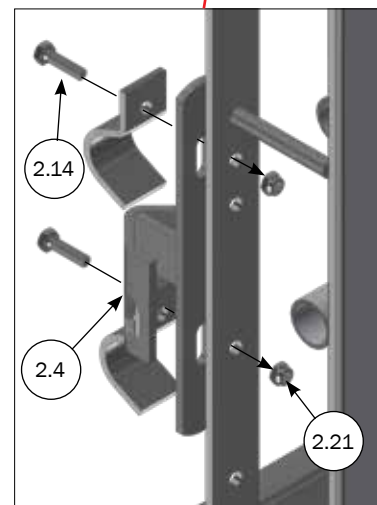
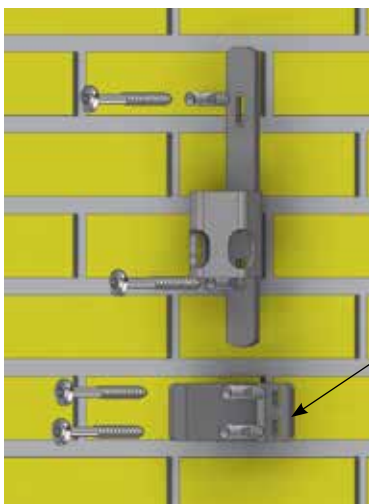
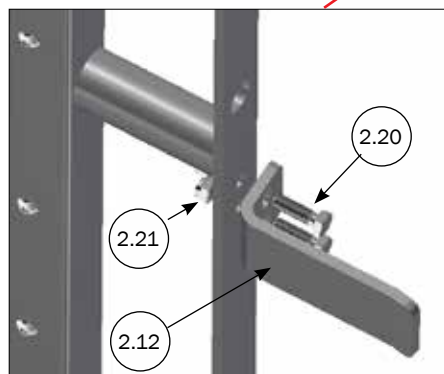
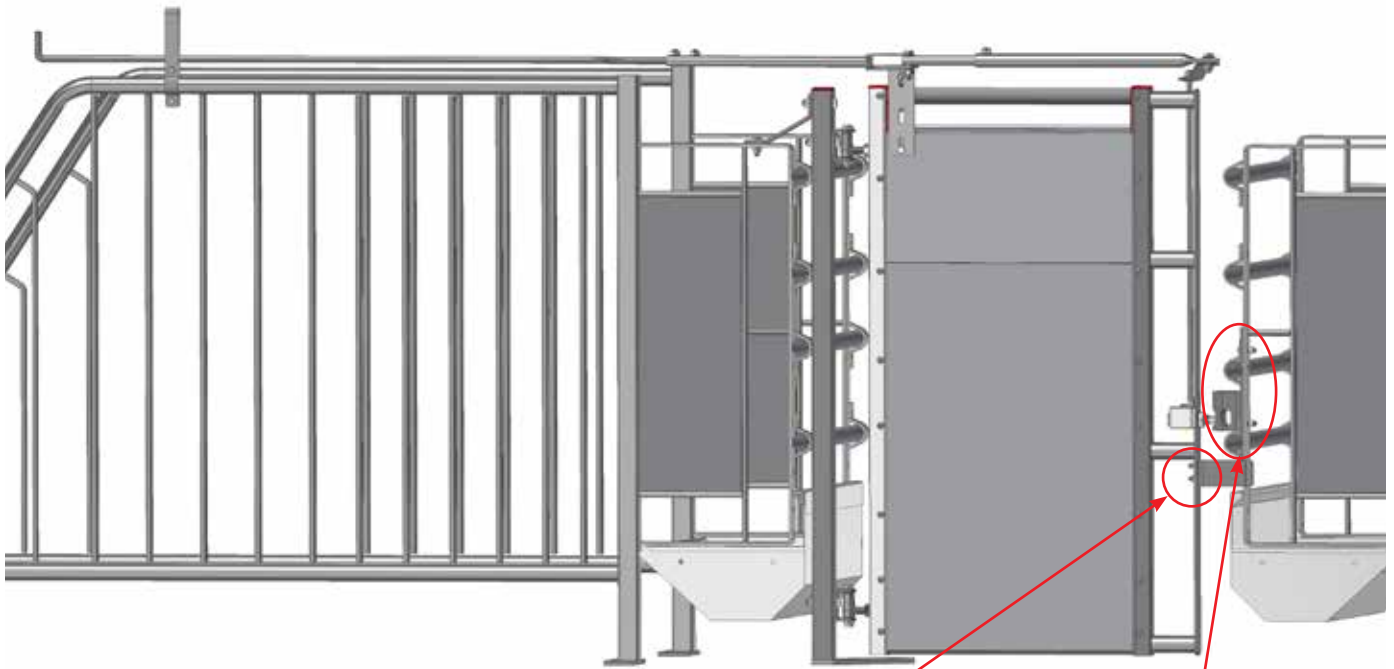
ASSEMBLED MATING GATE



PART LIST

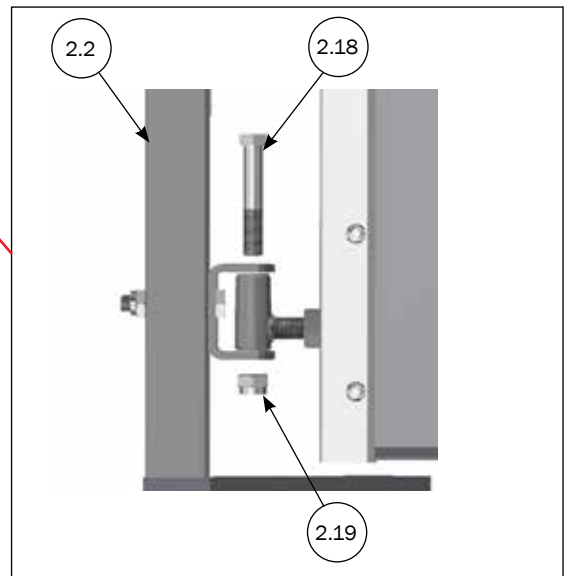
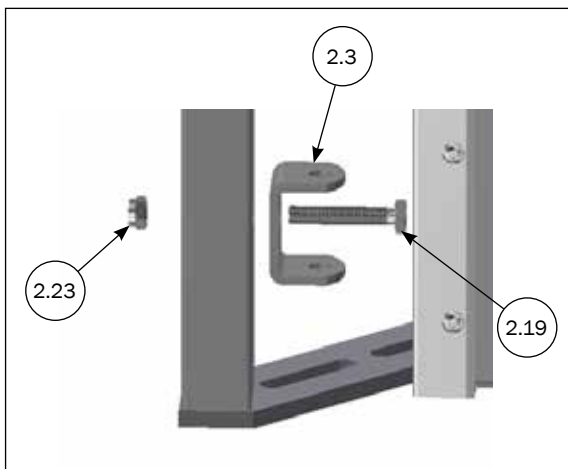
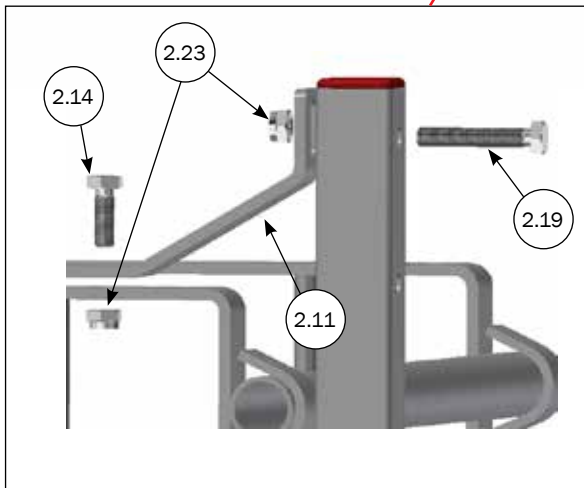
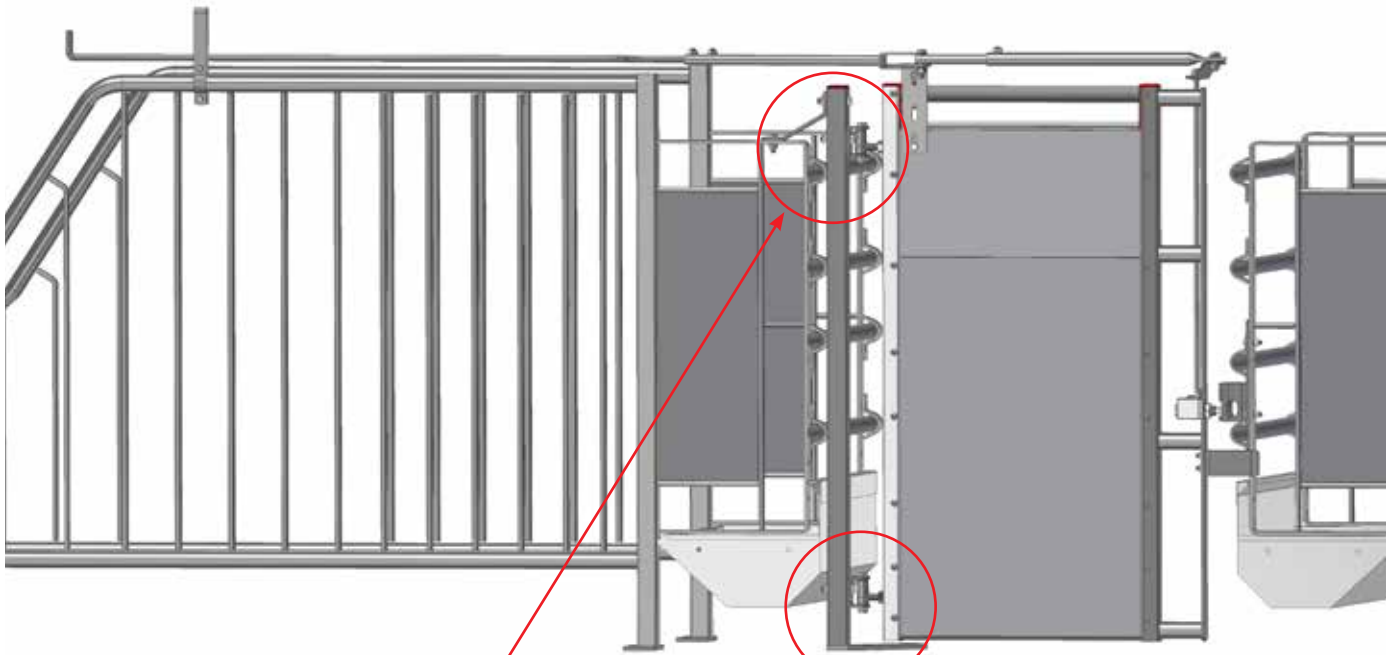
NO.	PCS.	ITEM NO.	DESCRIPTION
1	1	1910275	ASSEMBLED MATING GATE H1.10 FOR JUMBOFINE AND LD BOX
2	1	1900274	KIT FOR MATING GATE JUMBOFINEAND LD W/PEN FRONT BARS AISLE WIDTH 70-105 CM
2.1	1	16375	PIPE RETAINER 1' WITHOUT BOLT
2.2	1	1920276	POST FOR MATING GATE
2.3	2	29715HG	INN-O-FLEX HINGE BRACKET
2.4	1	29739	INN-O-FLEX RECEIVER BRACKET FRONT PIPES
2.5	1	1920273	TORQUE PLATE
2.6	1	1920274	RELEASE ARM
2.7	1	1920278	ROUND STEEL FOR PULL ROD
2.8	1	1920277	1/2' PART OF PULL ROD
2.9	1	1920271	3/4' PART OF PULL ROD
2.10	1	1920272	20 MM PART OF PULL ROD
2.11	1	1920283	SUPPORT FOR POST
2.12	1	1920282	GATE STOP
2.13	1	42229	BUSHING FOR FENDER FARROWING CRATE
2.14	2	30310030	SET SCREW M10X30 A2 DIN 933
2.15	1	30310050	SET SCREW M10X50 A2 DIN 933
2.16	3	38310016	POINTED SCREW M10X16 W/POINT A2 DIN 914
2.17	2	33912000	LOCK NUT M12 A2 DIN 985
2.18	2	67549	12 X 80 HEX HEAD BOLT A2
2.19	3	30310060	SET SCREW M10X60 A2 DIN 933
2.20	3	30308025	SET SCREW M8X25 A2 DIN 933
2.21	6	33908001	LOCK NUT M8 A2 DIN 985
2.22	2	30308030	SET SCREW M8X30 A2 DIN 933
2.23	7	33900029	LOCK NUT M10 A2 DIN 985
2.24	1	35600038	FACE PLATE 10 MM ST DIN 125
2.25	1	30308050	SET SCREW M8X50 A2 DIN 933
2.26	1	35600058	NUT WASHER Ø8X8,4/24/2 A2 DIN9021
2.27	1	30085	TOP CAP 40X40X2
2.28	1	0146-298	CLAMP RING FOR PIPE SUPPORT 1'
2.29	1	30306030	SET SCREW M6X30 A2 DIN 933
2.30	2	33506011	COLLAR HEAD NUT M6 A2 DIN 6923
2.31	1	30306020	SET SCREW M6X20 A2 DIN 933

MOUNTING OF BUSHING FOR FENDER

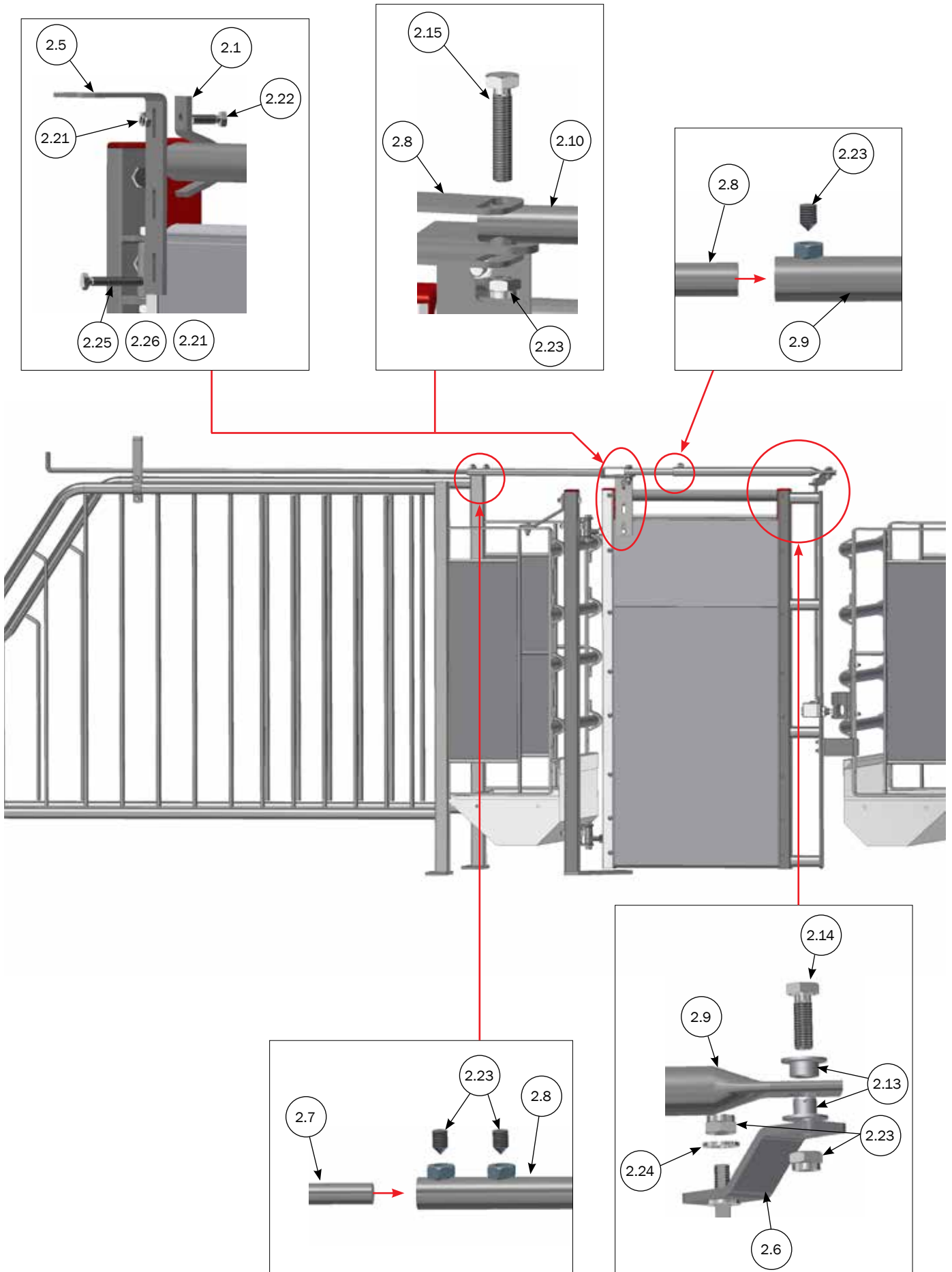


For mounting the bushing for fender against the wall use:
" 4800016 " 10 PCS. SS BUTTON HEAD SCREWS M8X60 + DOWEL
Is sold separat.

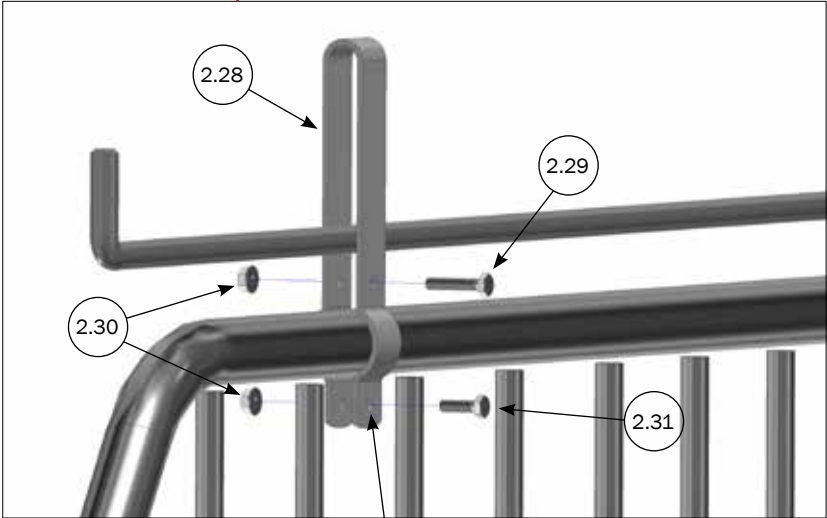
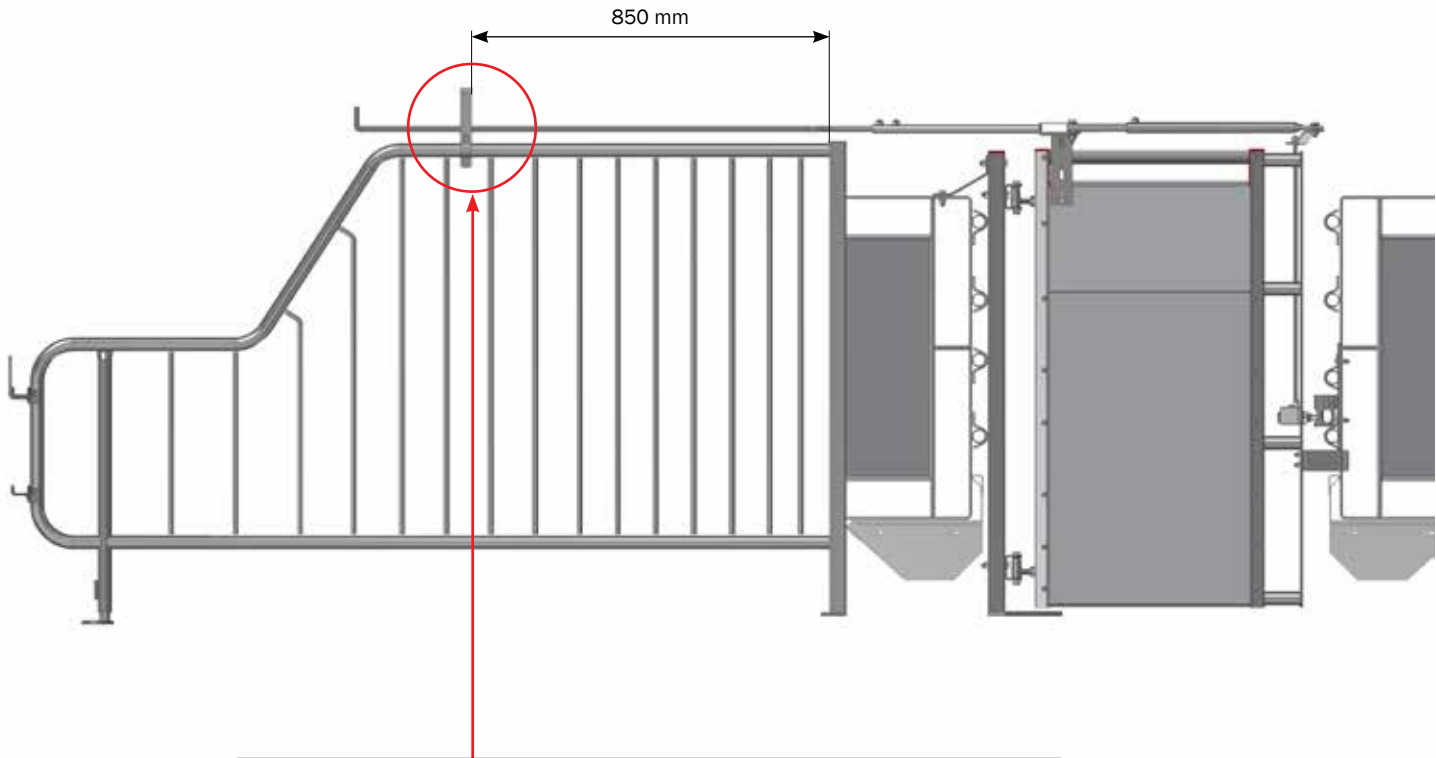
MOUNTING OF POST AND MATING GATE



MOUNTING OF PULL ROD TO MATING GATE



MOUNTING OF PULL ROD TO MATING GATE



**TIGHTEN LOWER
BOLT FIRST!**