

M-6194\_GB

# MOUNTING INSTRUCTION



## FRONT GATES HIGH/LOW

WIDTH 60-65-70CM



**ACO FUNKI A/S**

Kirkevænget 5  
DK-7400 Herning

Tel. +45 9711 9600

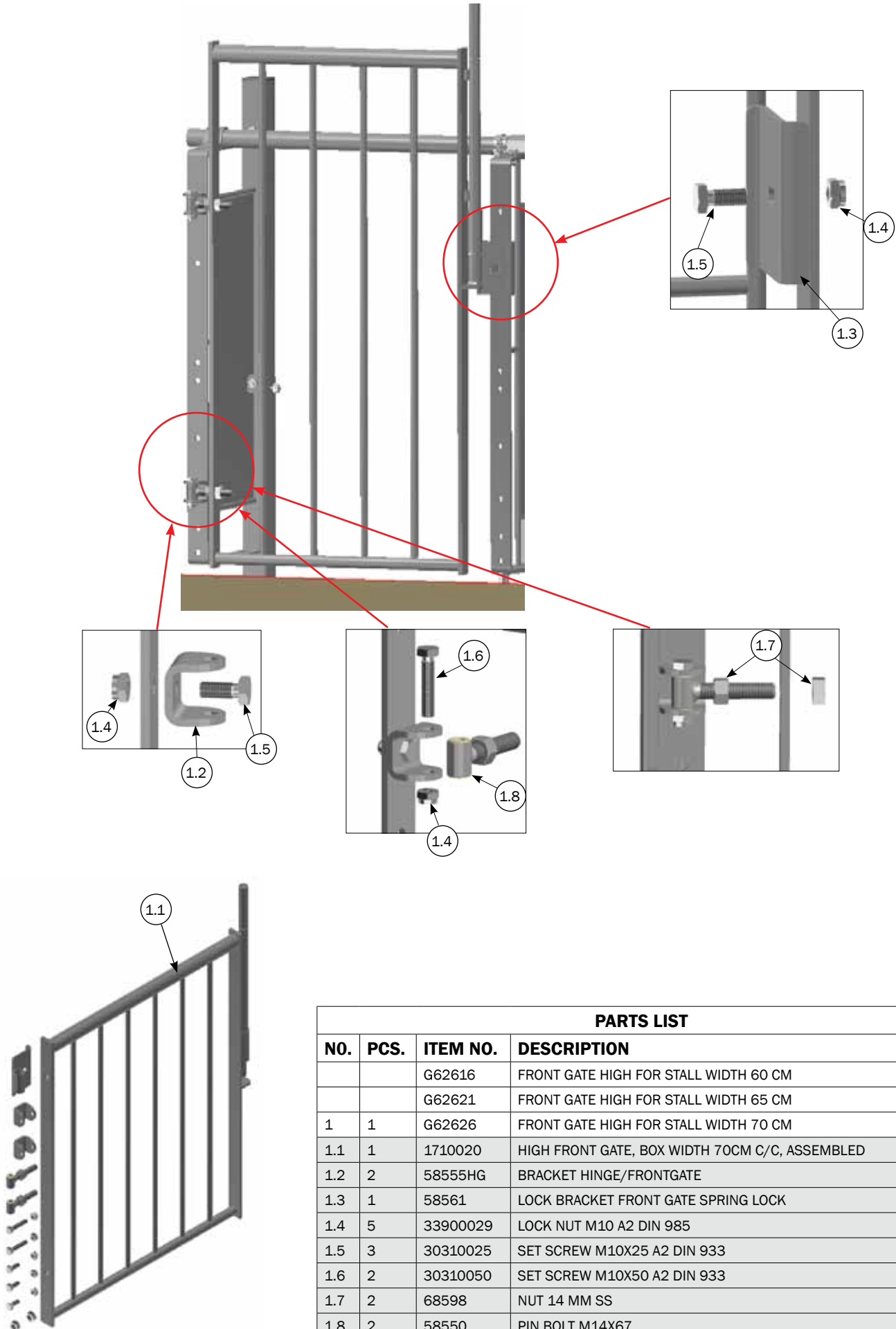
Fax +45 9711 9677

[www.acofunki.com](http://www.acofunki.com)

**FUNKI**

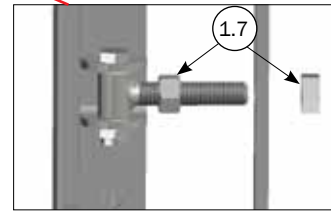
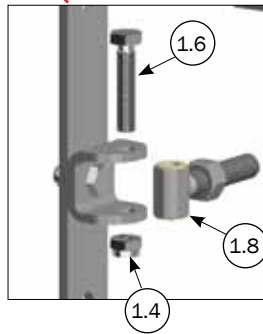
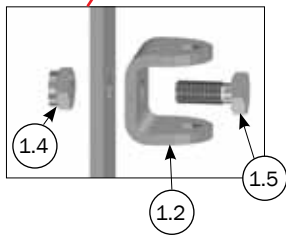
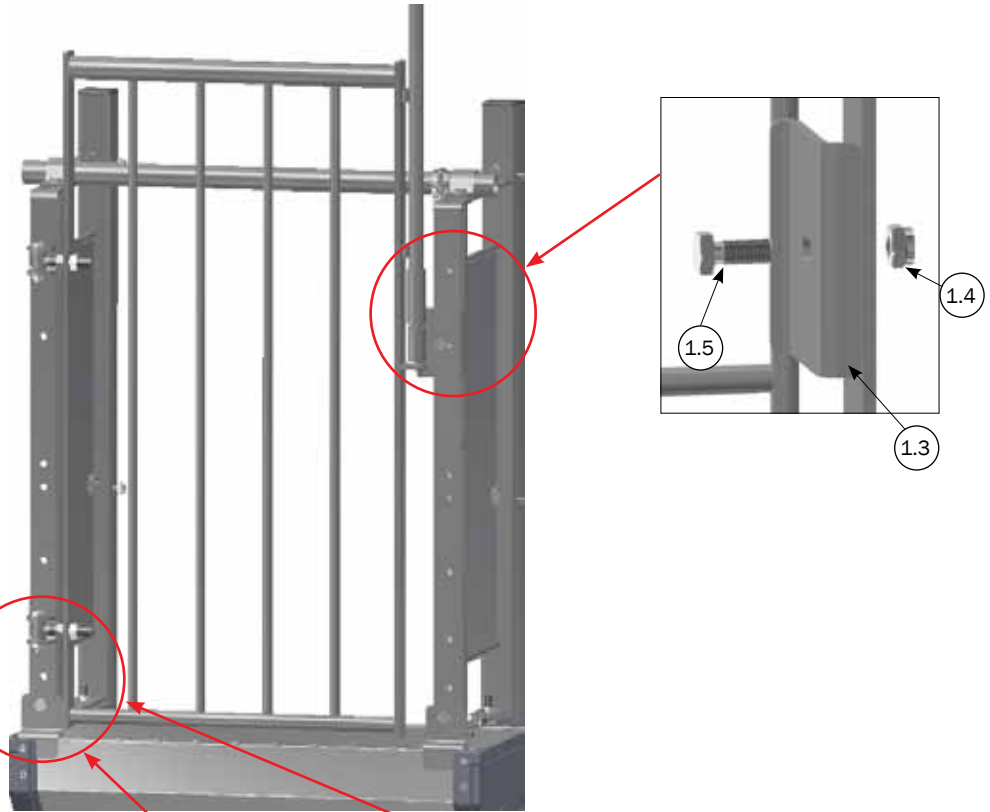
**DANISH DESIGN | GERMAN QUALITY | GLOBAL EXPERIENCE**

# HIGH FRONT GATE FOR POLY TROUGH



PARTS LIST			
NO.	PCS.	ITEM NO.	DESCRIPTION
		G62616	FRONT GATE HIGH FOR STALL WIDTH 60 CM
		G62621	FRONT GATE HIGH FOR STALL WIDTH 65 CM
1	1	G62626	FRONT GATE HIGH FOR STALL WIDTH 70 CM
1.1	1	1710020	HIGH FRONT GATE, BOX WIDTH 70CM C/C, ASSEMBLED
1.2	2	58555HG	BRACKET HINGE/FRONTGATE
1.3	1	58561	LOCK BRACKET FRONT GATE SPRING LOCK
1.4	5	33900029	LOCK NUT M10 A2 DIN 985
1.5	3	30310025	SET SCREW M10X25 A2 DIN 933
1.6	2	30310050	SET SCREW M10X50 A2 DIN 933
1.7	2	68598	NUT 14 MM SS
1.8	2	58550	PIN BOLT M14X67

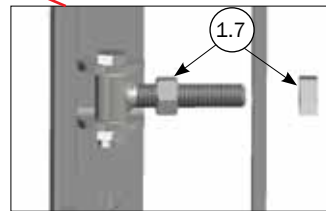
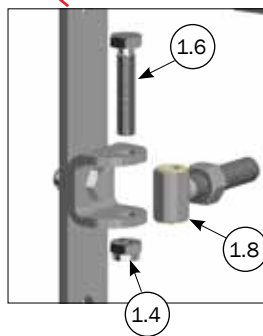
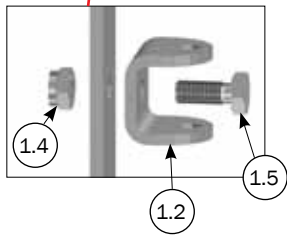
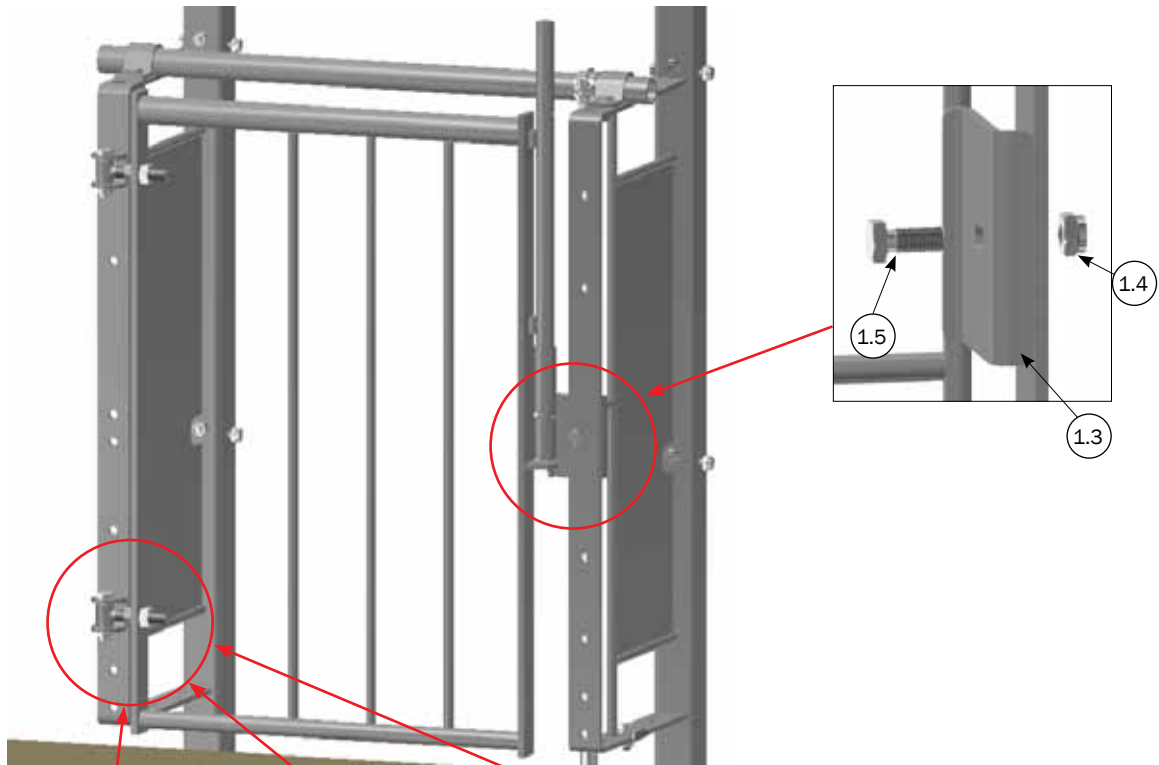
# HIGH FRONT GATE TROUGH STAINLESS STEEL



## PARTS LIST

NO.	PCS.	ITEM NO.	DESCRIPTION
		G62616	FRONT GATE HIGH FOR STALL WIDTH 60 CM
		G62621	FRONT GATE HIGH FOR STALL WIDTH 65 CM
1	1	G62626	FRONT GATE HIGH FOR STALL WIDTH 70 CM
1.1	1	1710020	HIGH FRONT GATE, BOX WIDTH 70CM C/C, ASSEMBLED
1.2	2	58555HG	BRACKET HINGE/FRONTGATE
1.3	1	58561	LOCK BRACKET FRONT GATE SPRING LOCK
1.4	5	33900029	LOCK NUT M10 A2 DIN 985
1.5	3	30310025	SET SCREW M10X25 A2 DIN 933
1.6	2	30310050	SET SCREW M10X50 A2 DIN 933
1.7	2	68598	NUT 14 MM SS
1.8	2	58550	PIN BOLT M14X67

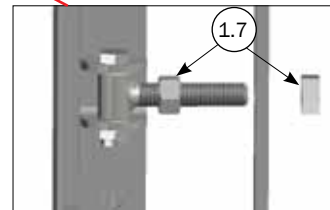
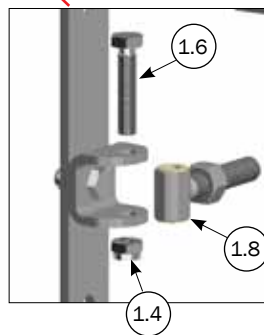
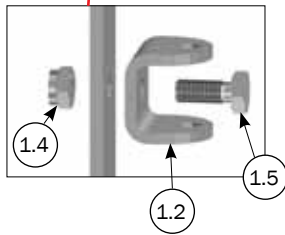
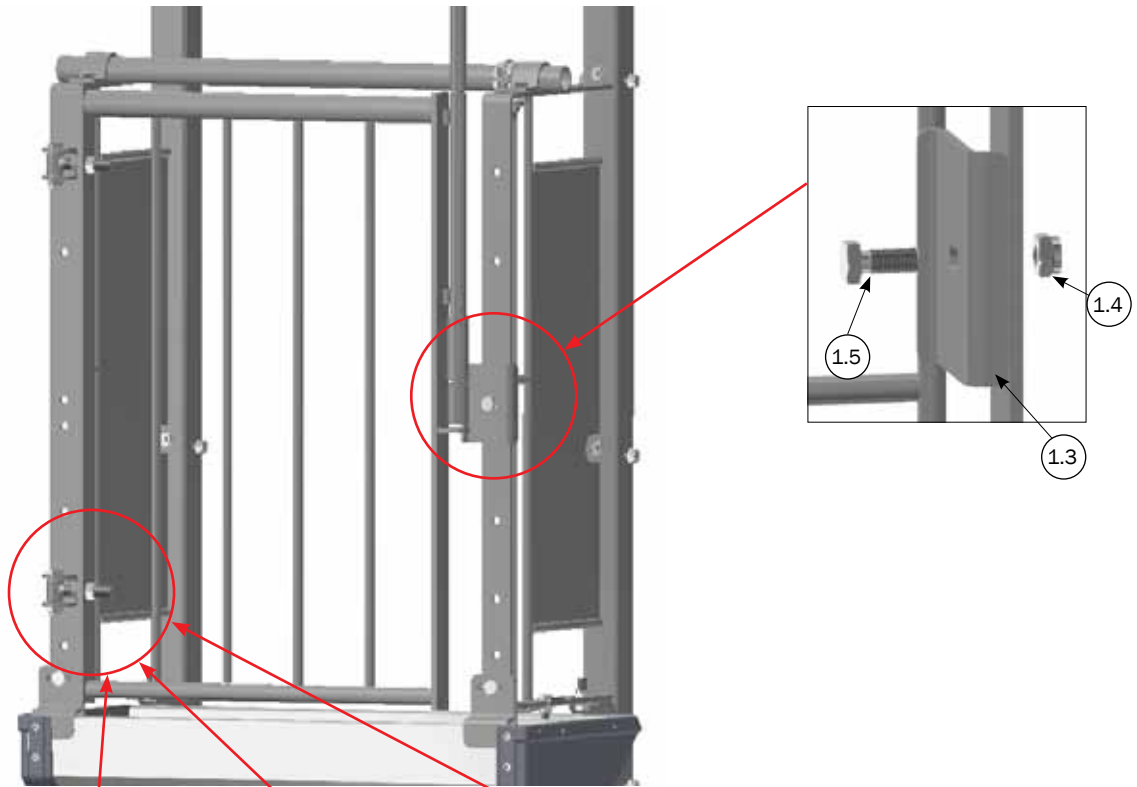
# LOW FRONT GATE POLY TROUGH



## PARTS LIST

NO.	PCS.	ITEM NO.	DESCRIPTION
		G62615	FRONT GATE FOR STALL WIDTH 60 CM
		G62620	FRONT GATE FOR STALL WIDTH 65 CM
1	1	G62625	FRONT GATE FOR STALL WIDTH 70 CM
1.1	1	1710023	LOW FRONT GATE, BOX WIDTH 70CM C/C, ASSEMBLED
1.2	2	58555HG	BRACKET HINGE/FRONTGATE
1.3	1	58561	LOCK BRACKET FRONT GATE SPRING LOCK
1.4	5	33900029	LOCK NUT M10 A2 DIN 985
1.5	3	30310025	SET SCREW M10X25 A2 DIN 933
1.6	2	30310050	SET SCREW M10X50 A2 DIN 933
1.7	2	68598	NUT 14 MM SS
1.8	2	58550	PIN BOLT M14X67

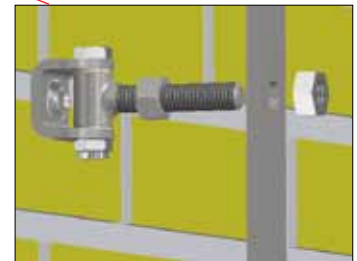
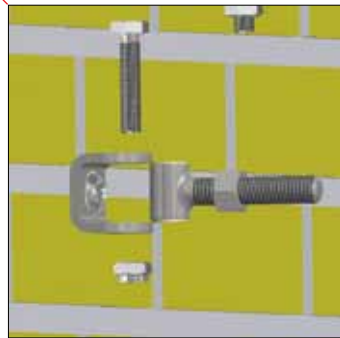
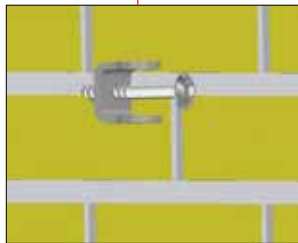
## LOW FRONT GATE TROUGH STAINLESS STEEL



### PARTS LIST

NO.	PCS.	ITEM NO.	DESCRIPTION
		G62615	FRONT GATE FOR STALL WIDTH 60 CM
		G62620	FRONT GATE FOR STALL WIDTH 65 CM
1	1	G62625	FRONT GATE FOR STALL WIDTH 70 CM
1.1	1	1710023	LOW FRONT GATE, BOX WIDTH 70CM C/C, ASSEMBLED
1.2	2	58555HG	BRACKET HINGE/FRONTGATE
1.3	1	58561	LOCK BRACKET FRONT GATE SPRING LOCK
1.4	5	33900029	LOCK NUT M10 A2 DIN 985
1.5	3	30310025	SET SCREW M10X25 A2 DIN 933
1.6	2	30310050	SET SCREW M10X50 A2 DIN 933
1.7	2	68598	NUT 14 MM SS
1.8	2	58550	PIN BOLT M14X67

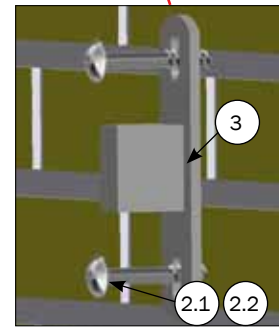
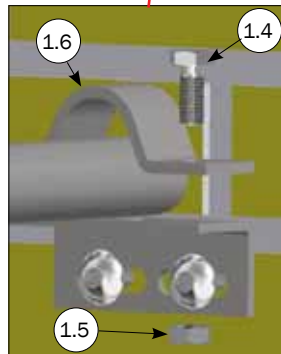
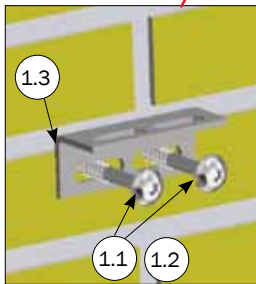
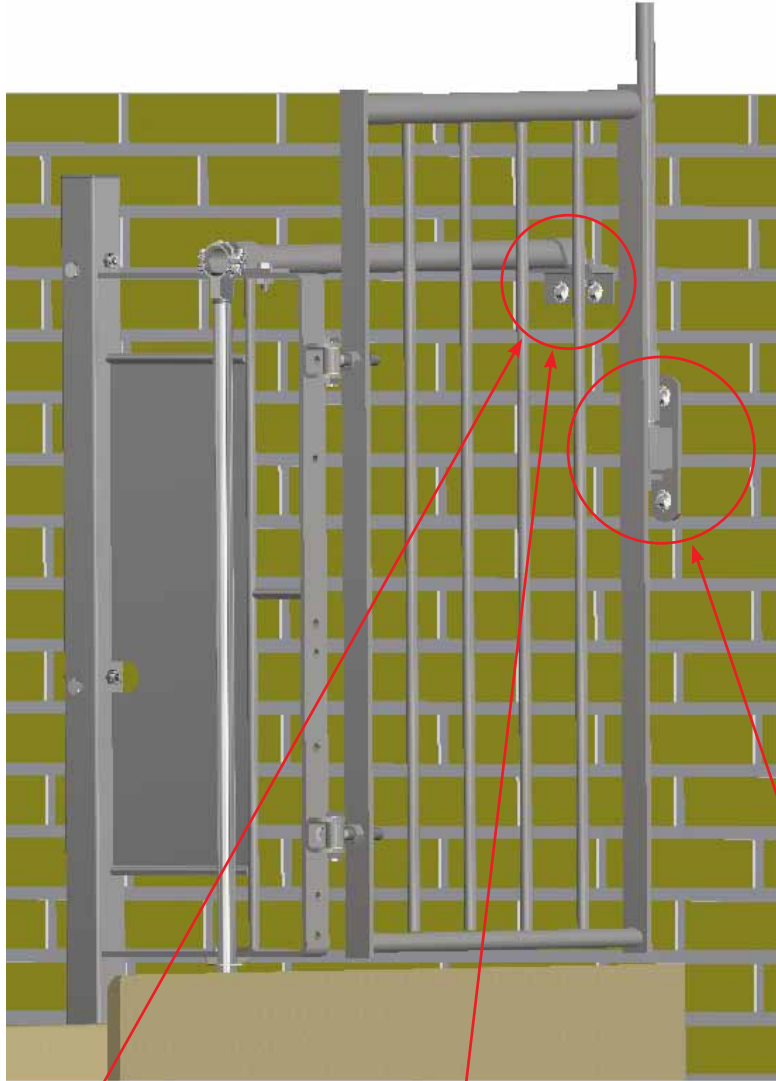
## HIGH FRONT GATE WITH POLY TROUGH MOUNTED ON WALL



Wall Bracket is mounted with  
"4800010" 10 PCS. SS BUTTON HEAD SCREWS M10X70 + WALL PLUG

STYK LISTE			
NR.	STK.	VARE NR.	BESKRIVELSE
1	1	4800010	10 PCS. SS BUTTON HEAD SCREWS M10X70 + WALL PLUG
1.1	(10) 2	67444	M10 X 70 BUTTON HEAD TORX 50 STAINLESS STEEL
1.2	(10) 2	39900001	WALL PLUG 12X60 MM

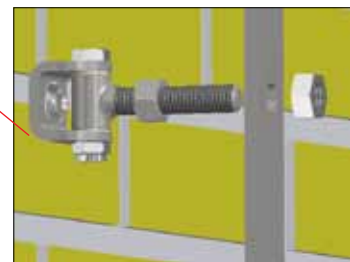
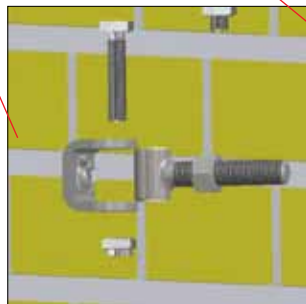
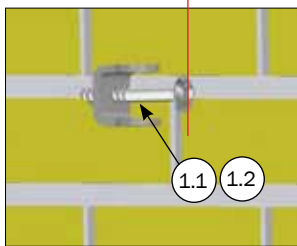
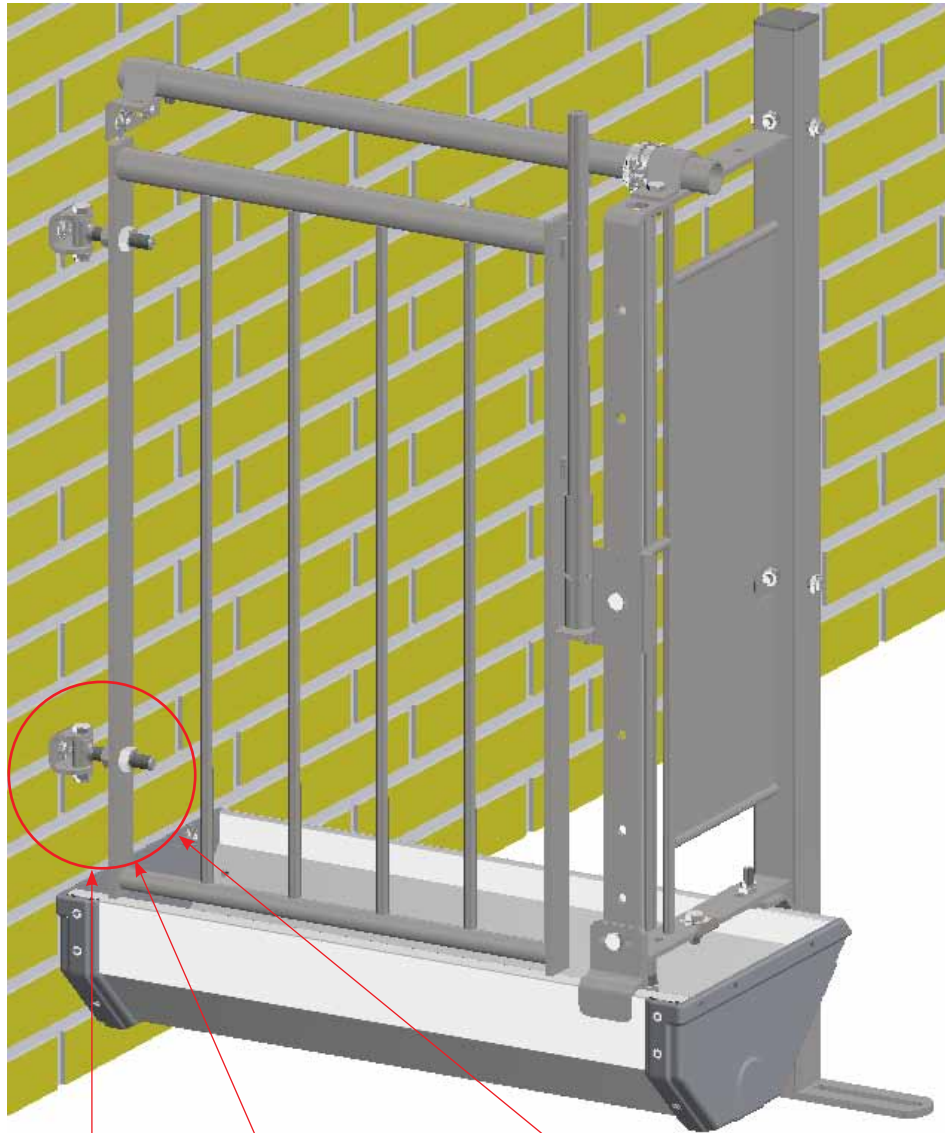
# HIGH FRONT GATE WITH POLY TROUGH MOUNTED AGAINST WALL



## PARTS LIST

NO.	PCS.	ITEM NO.	DESCRIPTION
1	1	3900019	FITTING FOR WATERPIPE COMPLET
1.1	2	67444	M10 X 70 BUTTON HEAD TORX 50 STAINLESS STEEL
1.2	2	39900001	WALL PLUG 12X60 MM
1.3	1	3920096	WALL FITTING FOR WATER PIPE
1.4	1	30310025	SET SCREW M10X25 A2 DIN 933
1.5	1	33510017	NUT M10 A2 DIN 934
1.6	1	16375	PIPE RETAINER 1 WITHOUT BOLT
2	1	4800010	10 PCS. SS BUTTON HEAD SCREWSM10X70 + WALL PLUG
2.1	(10) 2	67444	M10 X 70 BUTTON HEAD TORX 50 STAINLESS STEEL
2.2	(10) 2	39900001	WALL PLUG 12X60 MM
3	1	1915011	LOCK BRACKET WALL/SPRING LOCK

## LOW FRONT GATE WITH TROUGH STAINLESS STEEL MOUNTED ON WALL



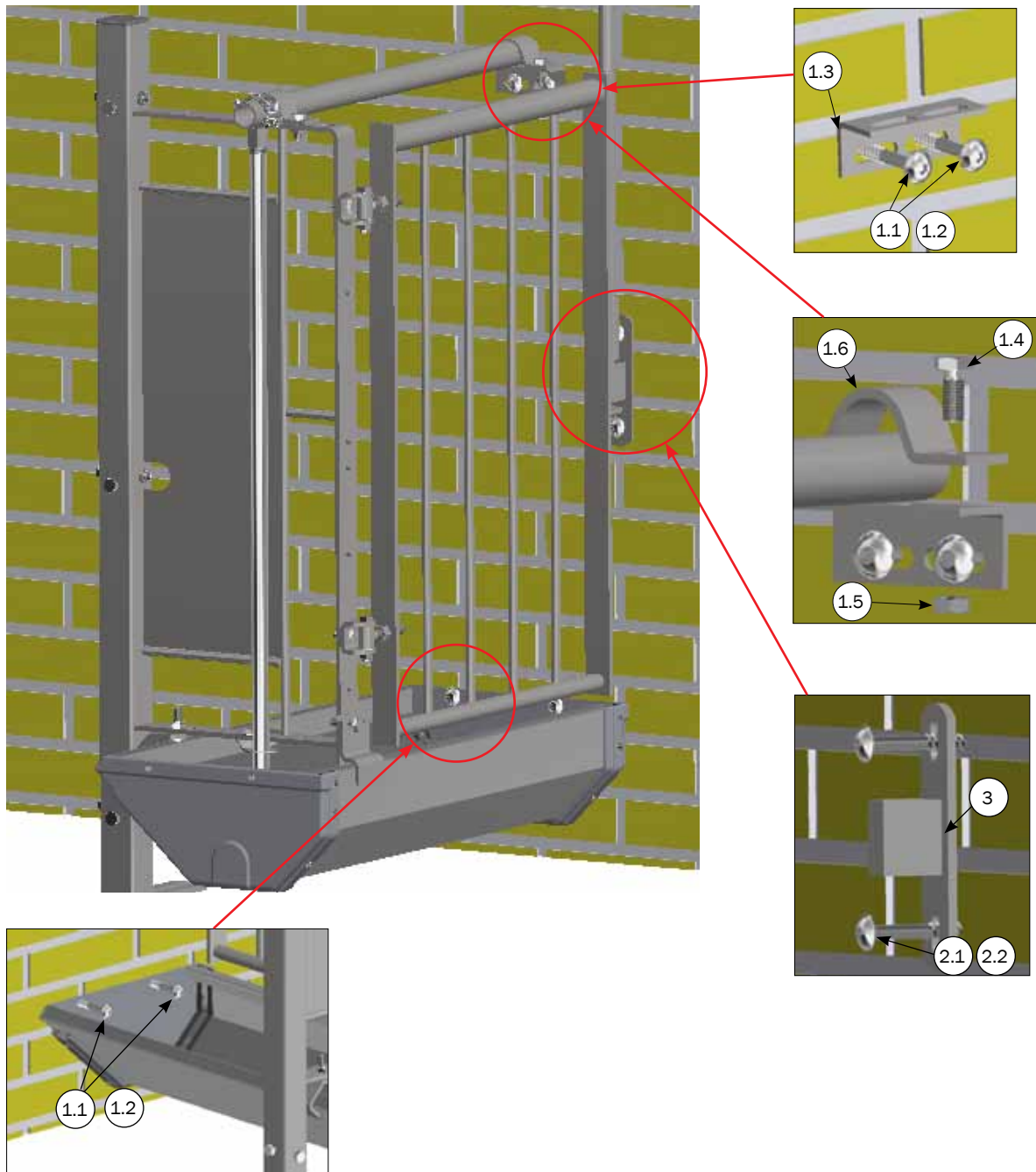
Wall Bracket is mounted with  
 "4800010" 10 PCS. SS BUTTON HEAD SCREWS M10X70 + WALL PLUG

### PARTS LIST

NO.	PCS.	ITEM NO.	DESCRIPTION
1	1	4800010	10 PCS. SS BUTTON HEAD SCREWS M10X70 + WALL PLUG
1.1	(10) 2	67444	M10 X 70 BUTTON HEAD TORX 50 STAINLESS STEEL
1.2	(10) 2	39900001	WALL PLUG 12X60 MM

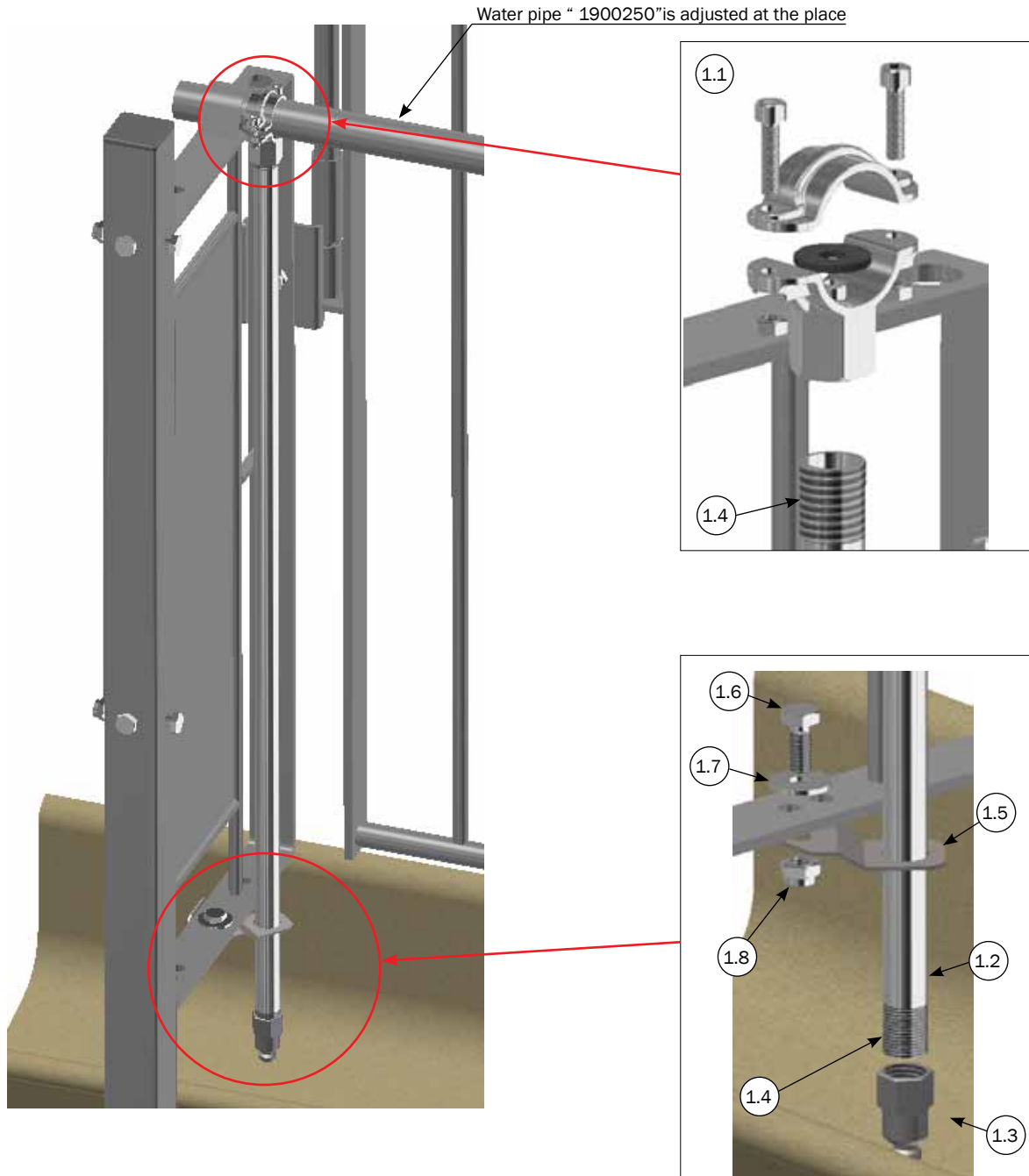


## LOW FRONT GATE WITH TROUGH STAINLESS STEEL MOUNTED AGAINST WALL



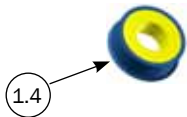
PARTS LIST			
NO.	PCS.	ITEM NO.	DESCRIPTION
1	1	3900019	FITTING FOR WATERPIPE COMPLET
1.1	2	67444	M10 X 70 BUTTON HEAD TORX 50 STAINLESS STEEL
1.2	2	39900001	WALL PLUG 12X60 MM
1.3	1	3920096	WALL FITTING FOR WATER PIPE
1.4	1	30310025	SET SCREW M10X25 A2 DIN 933
1.5	1	33510017	NUT M10 A2 DIN 934
1.6	1	16375	PIPE RETAINER 1 WITHOUT BOLT
2	1	4800010	10 PCS. SS BUTTON HEAD SCREWS M10X70 + WALL PLUG
2.1	(10) 4	67444	M10 X 70 BUTTON HEAD TORX 50 STAINLESS STEEL
2.2	(10) 4	39900001	WALL PLUG 12X60 MM
3	1	1915011	LOCK BRACKET WALL/SPRING LOCK

## WATER FOR POLY TROUGH

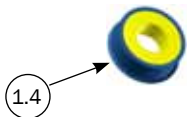
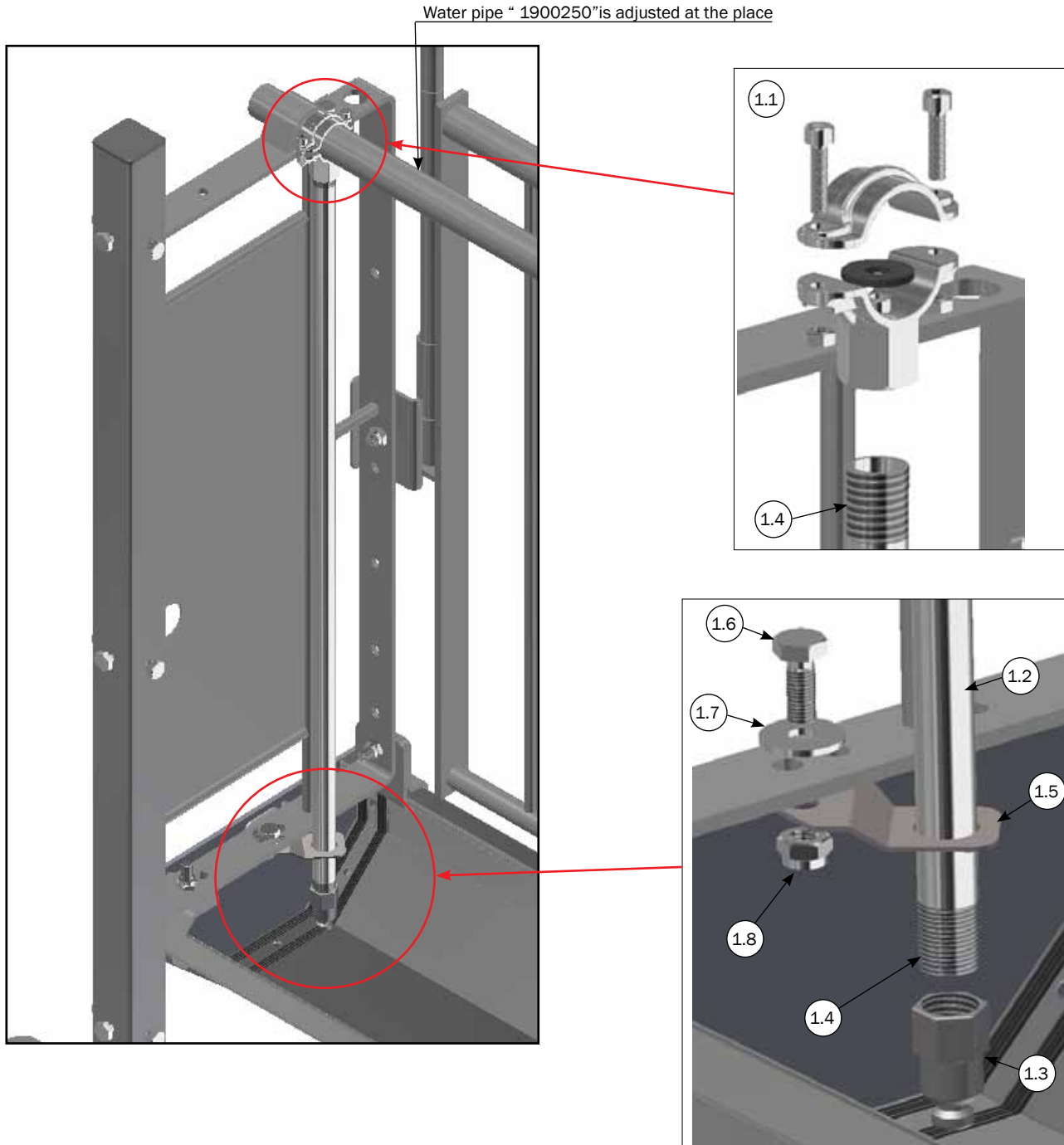


### PARTS LIST

NO.	PCS.	ITEM NO.	DESCRIPTION
1	1	58956	WATER PIPE SET STAINLESS STEEL FOR 2 SOWS, POLYMER TROUGH
1.1	1	93164	DRILL CLAMP 1-1/2" STAINLESS STEEL
1.2	1	94039	NIPPLE PIPE 1/2" STAINLESS STEEL 830 MM W/THREAD
1.3	1	93305	PRESS NIPPLE SS INTERNAL THREAD
1.4	1 meter	29100001	THREAD TAPE 1 ROLL = 10 M
1.5	1	20001	WATER PIPE BRACKET FOR FREE ACCESS 2011
1.6	1	30310025	SET SCREW M10X25 A2 DIN 933
1.7	1	35900085	NUT WASHER Ø10X10,5/30/2,5 A2DIN 9021
1.8	1	33900029	LOCK NUT M10 A2 DIN 985



## WATER FOR TROUGH STAINLESS STEEL



PARTS LIST			
NO.	PCS.	ITEM NO.	DESCRIPTION
1	1	58955	WATER PIPE SET STAINLESS STEEL FOR 2 SOWS, STEELTROUGH
1.1	1	93164	DRILL CLAMP 1-1/2" STAINLESS STEEL
1.2	1	94039	NIPPLE PIPE 1/2" STAINLESS STEEL 830 MM W/THREAD
1.3	1	93305	PRESS NIPPLE SS INTERNAL THREAD
1.4	1 meter	29100001	THREAD TAPE 1 ROLL = 10 M
1.5	1	20001	WATER PIPE BRACKET FOR FREE ACCESS 2011
1.6	1	30310025	SET SCREW M10X25 A2 DIN 933
1.7	1	35900085	NUT WASHER Ø10X10,5/30/2,5 A2DIN 9021
1.8	1	33900029	LOCK NUT M10 A2 DIN 985