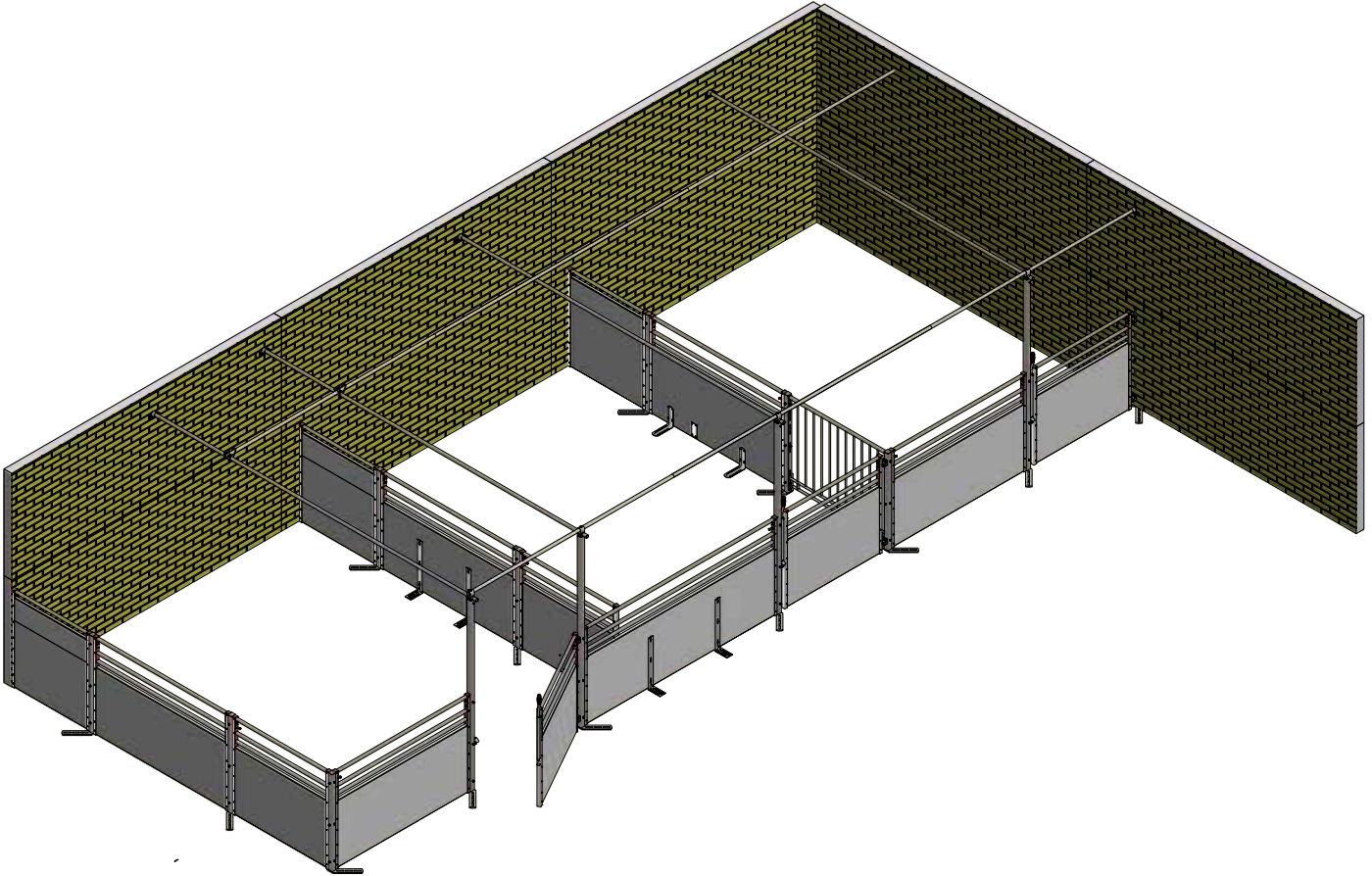


M-6196_GB

MOUNTING INSTRUCTION



INN-O-FLEX
35 MM

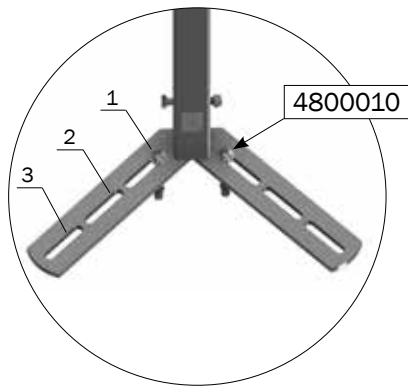


ACO FUNKI A/S
Kirkevænget 5
DK-7400 Herning

Tel. +45 9711 9600
Fax +45 9711 9677
www.acofunki.com

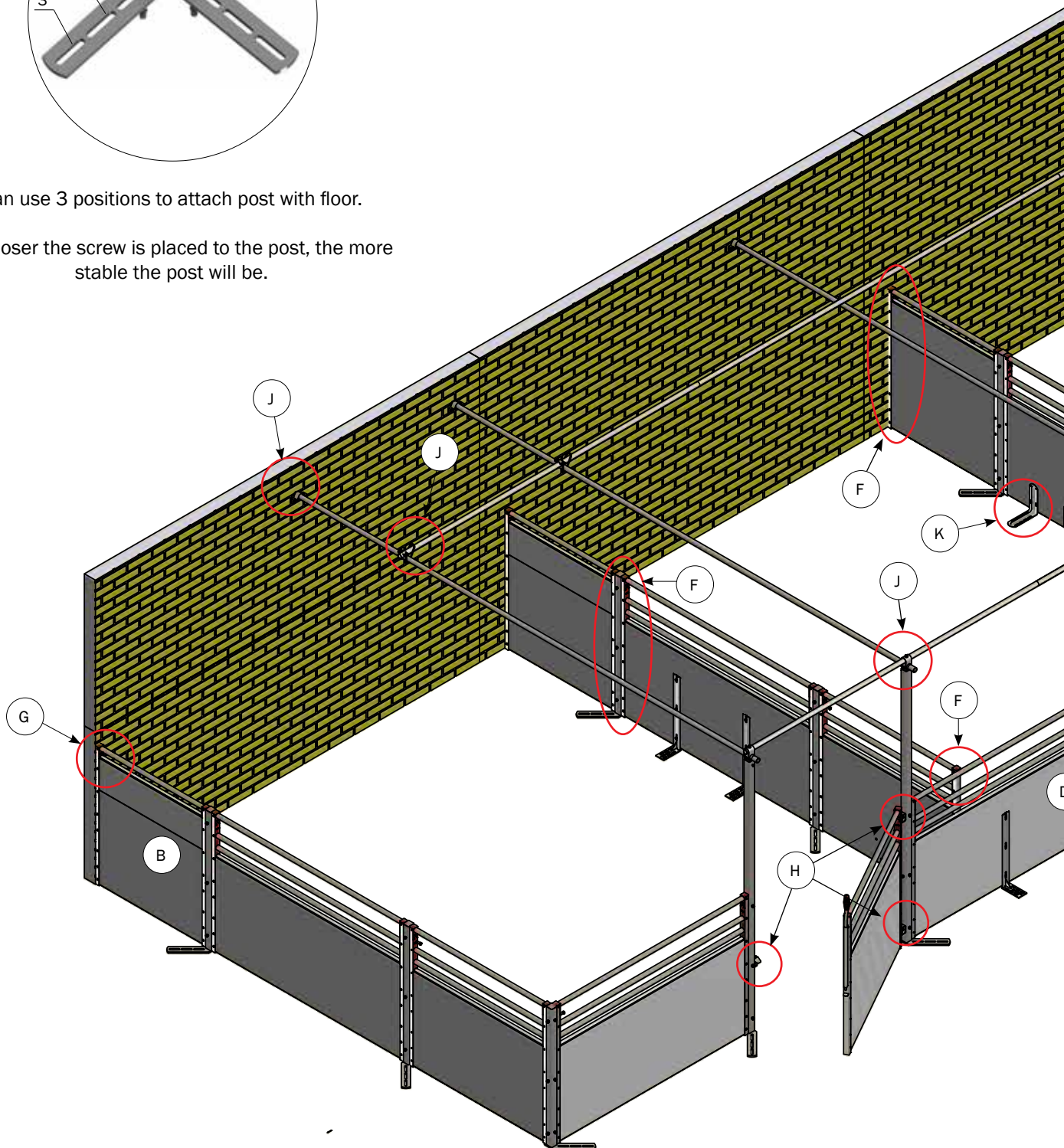
DANISH DESIGN | GERMAN QUALITY | GLOBAL EXPERIENCE

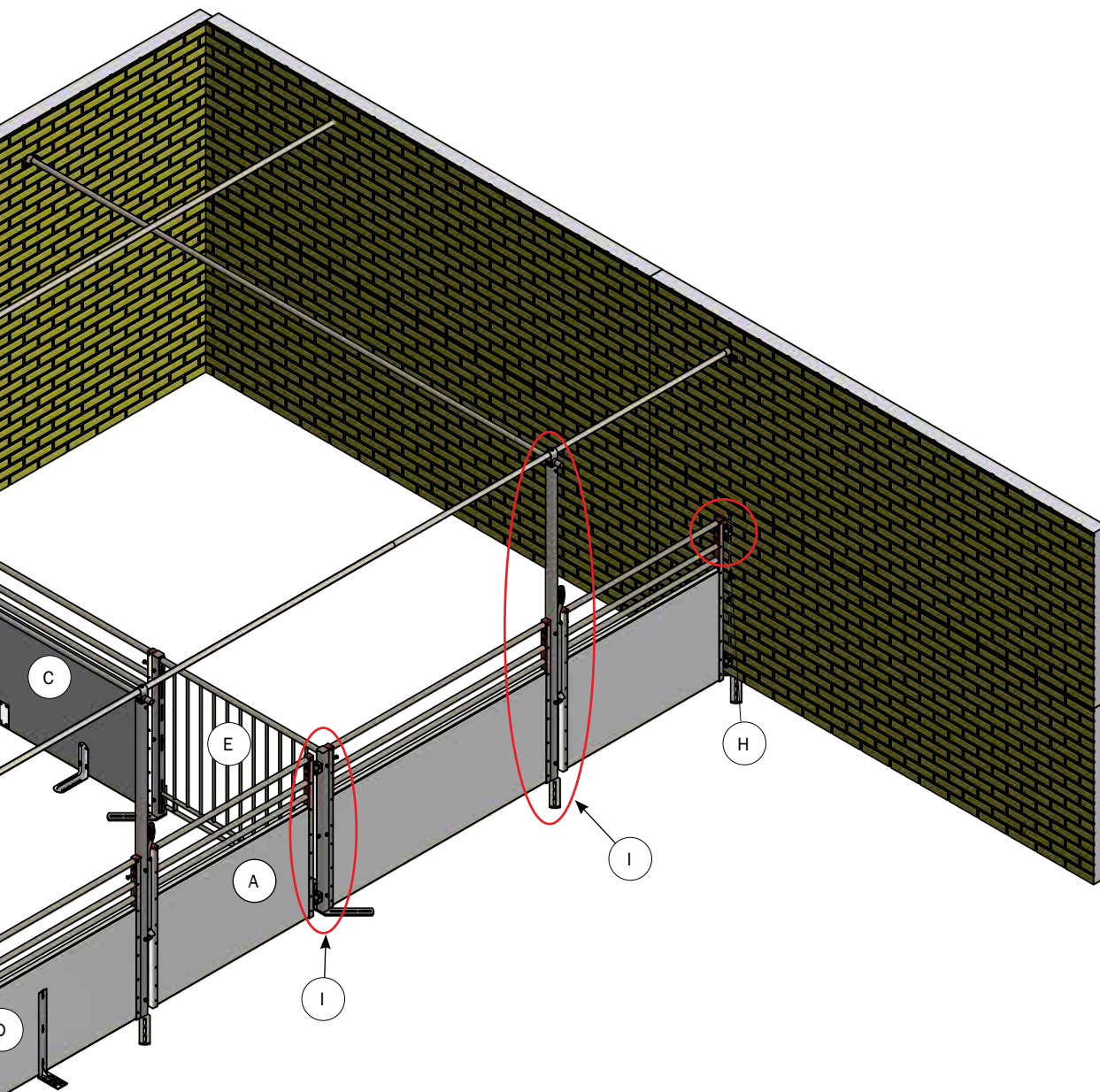
PRODUCT AND ASSEMBLY OVERVIEW FOR INN-O-FLEX 35MM



Can use 3 positions to attach post with floor.

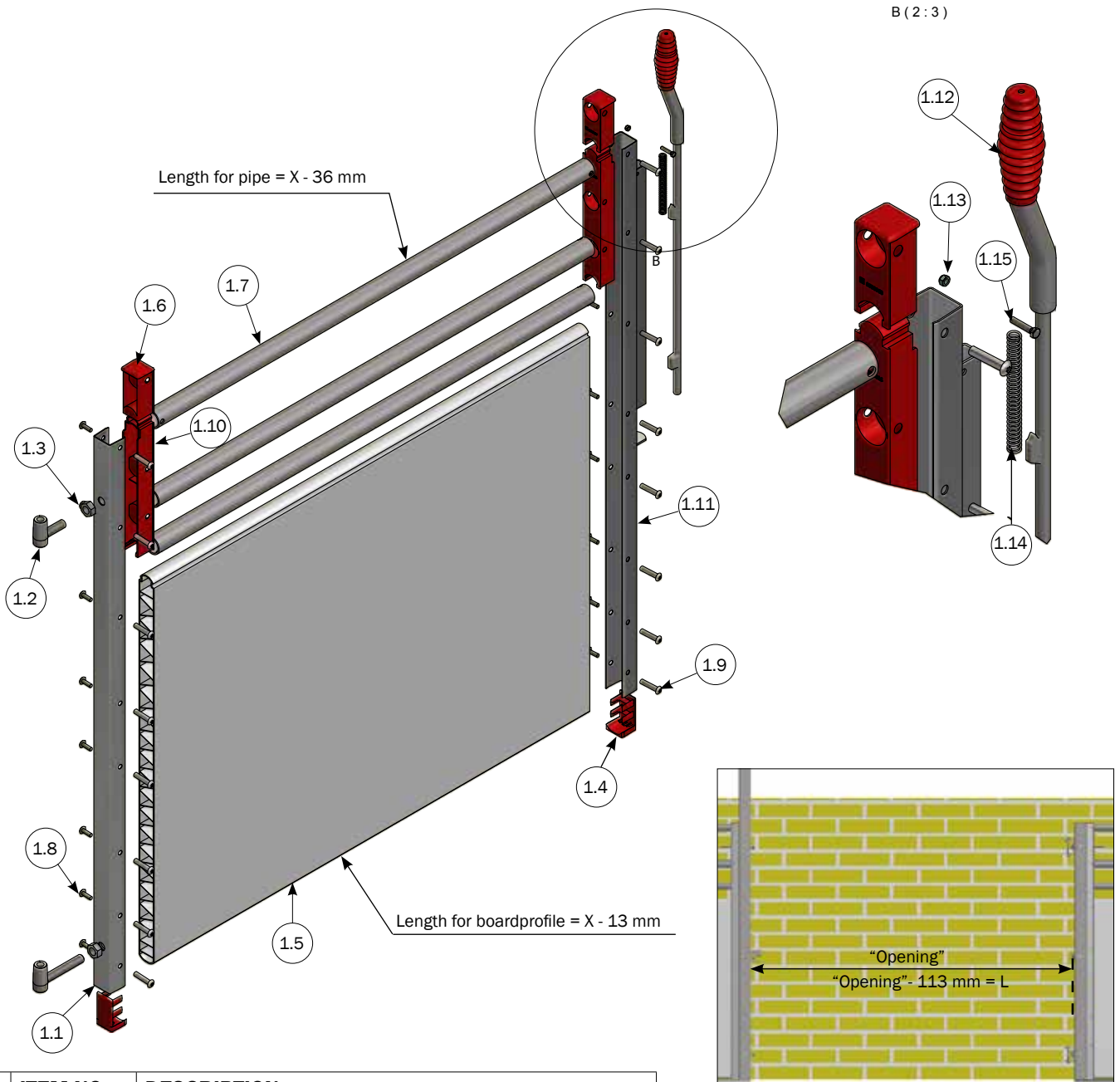
The closer the screw is placed to the post, the more stable the post will be.





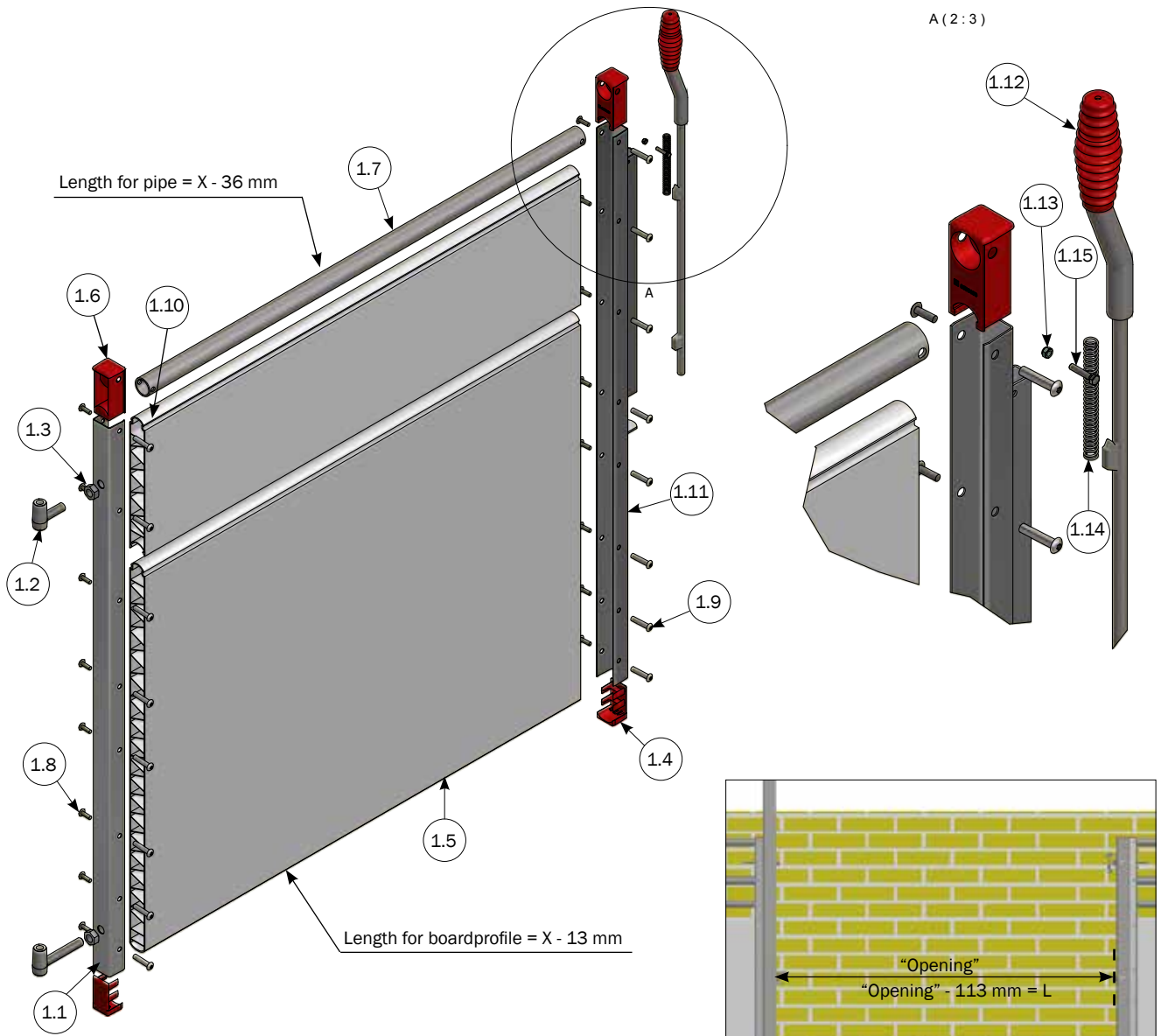
NO.	PAGE	DESCRIPTION
A	4-9	PARTS LIST OF GATE
B	10-11	PARTS LIST OF SIDE WITH BAR/BOARDPROFILE
C	12-13	PARTS LIST OF SIDE WITH BAR/BOARDPROFILE AND SINGLE BOLT
D	14-15	PARTS LIST OF SIDE WITH BAR/BOARDPROFILE AND DOUBLE BOLT
E	16-17	GRILLE 200-2500 MM
F	18-19	MOUNTING OF ASSEMBLY FOR CORNER/EXTENSION/END POST
G	20-21	MOUNTING OF U-POST AGAINST WALL
H	22-25	MOUNTING OF GATE AGAINST WALL/POST
I	26-28	MOUNTING OF LOW/HIGH POST
J	29-33	MOUNTING OF STABILIZATIONPIPES
K	34-35	MOUNTING OF STABILIZATION IN RESTING AREA

GATE FOR INN-O-FLEX 35 MM H110 3 BAR/BOARDPROFILE WITH PIN LOCK

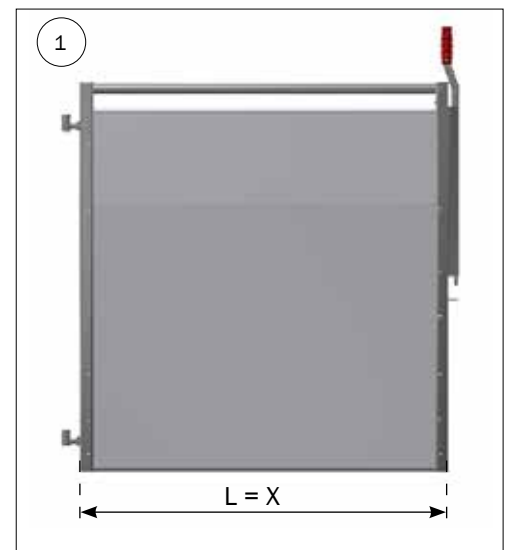


NO.	ITEM NO.	DESCRIPTION
1	4010796	GATE H110 3 BAR/BOARDPROFILE WITH PIN LOCK, INN-O-FLEX 35
1.1	4050833	UPROFILE H1090 WITH NUT
1.2	4550427	INN-O-FLEX STUD BOLT COMPLET
1.3	68598	NUT 14 MM SS
1.4	30013	PLUG PANEL BOTTOM 50 CM/ 75 CM PANEL
1.5	30105	BOARDPROFILE 35X750 MM SPEC. LENGTH PRICE PER METER
1.6	8530058	TOP PLUG 1 BARS 35 MM
1.7	112406	33.7 X 2.65 PIPE GALV. PRICE PER METER, LENGTH 6 METER
1.8	39106020	CONNECTION SCREW M6X20 STAINLESS TORX 30
1.9	39206037	SPLICING SLEEVE M6X37 STAINLESS TORX 30
1.10	8530016	PLUG 2 BARS 35 MM
1.11	4050832	UPOST FOR GATE WITH PIN LOCK,INN-O-FLEX 35
1.12	4105183	PIN LOCK FOR GATE INCL. GRIP
1.13	3390500	LOCK NUT M5 A2 DIN 985
1.14	9929004	COMPRESSION SPRING 1,6X12X115 MM
1.15	30305025	SET SCREW M5X25 A2 DIN 933

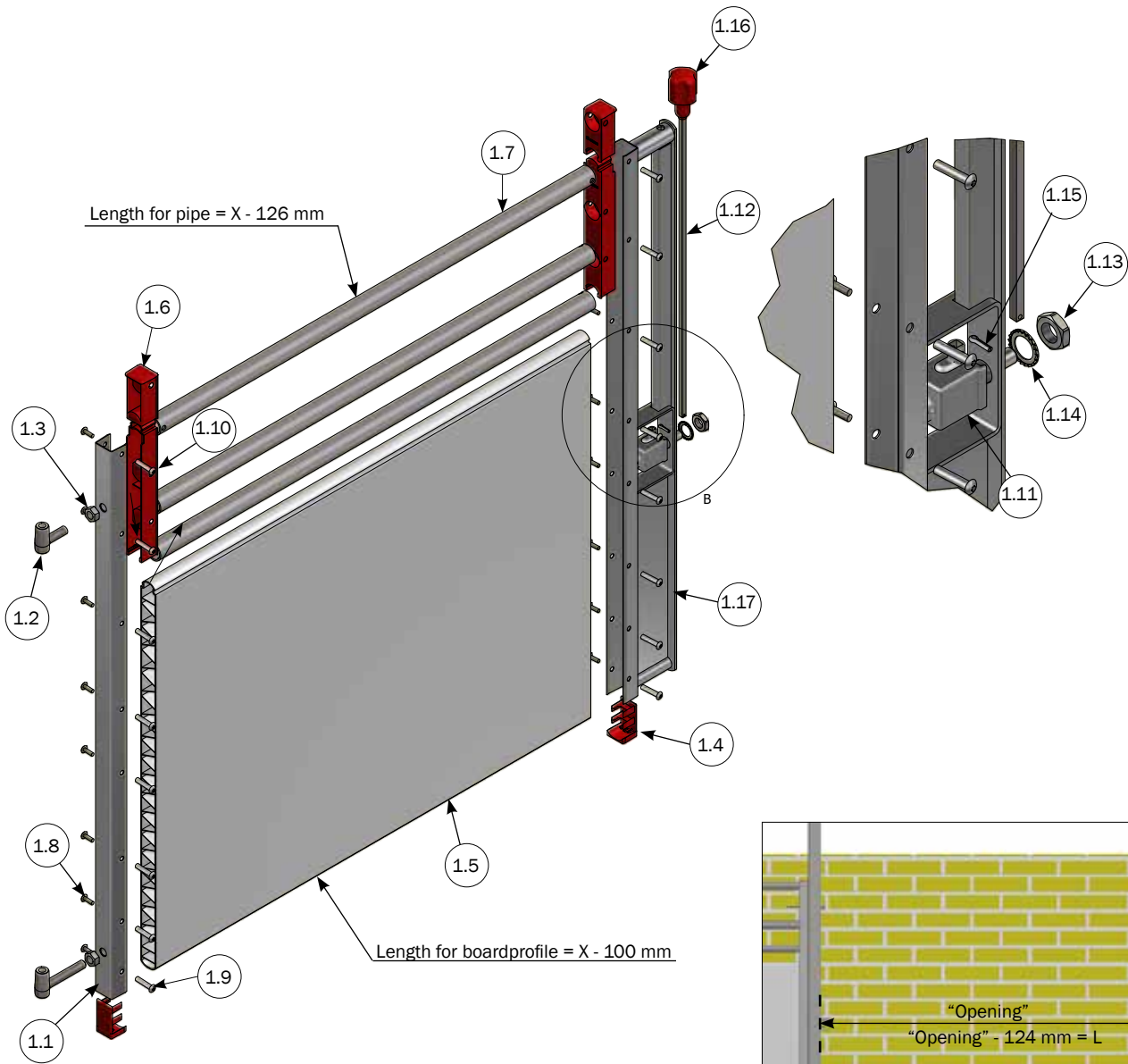
GATE FOR INN-O-FLEX 35 MM H110 1 BAR/BOARDPROFILE WITH PIN LOCK



NO.	ITEM NO.	DESCRIPTION
1	4010797	GATE H110 1 BAR/BOARDPROFILE WITH PIN LOCK, INN-O-FLEX 35
1.1	4050833	UPROFILE H1090 WITH NUT
1.2	4550427	INN-O-FLEX STUD BOLT COMPLET
1.3	68598	NUT 14 MM SS
1.4	30013	PLUG PANEL BOTTOM 50 CM/75 CM PANEL
1.5	30105	BOARDPROFILE 35X750 MM SPEC. LENGTH PRICE PER METER
1.6	8530058	TOP PLUG 1 BARS 35 MM
1.7	112406	33.7 X 2.65 PIPE GALV. PRICE PER METER, LENGTH 6 METER
1.8	39106020	CONNECTION SCREW M6X20 STAINLESS TORX 30
1.9	39206037	SPLICING SLEEVE M6X37 STAINLESS TORX 30
1.10	30099	BOARDPROFILE 35X250 MM SPEC. LENGTH PRICE PER METER
1.11	4050832	UPOST FOR GATE WITH PIN LOCK,INN-O-FLEX 35
1.12	4105183	PIN LOCK FOR GATE INCL. GRIP
1.13	3390500	LOCK NUT M5 A2 DIN 985
1.14	9929004	COMPRESSION SPRING 1,6X12X115 MM
1.15	30305025	SET SCREW M5X25 A2 DIN 933



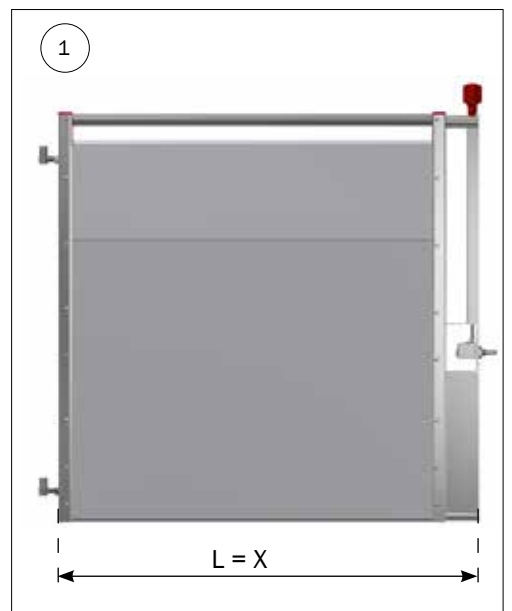
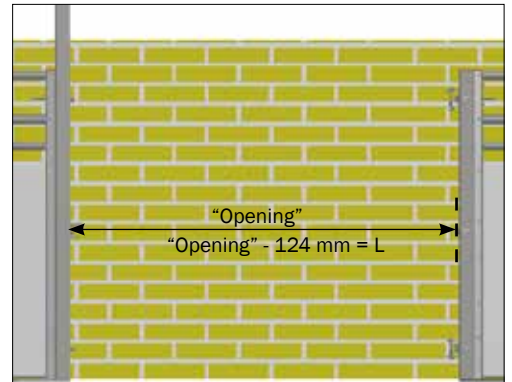
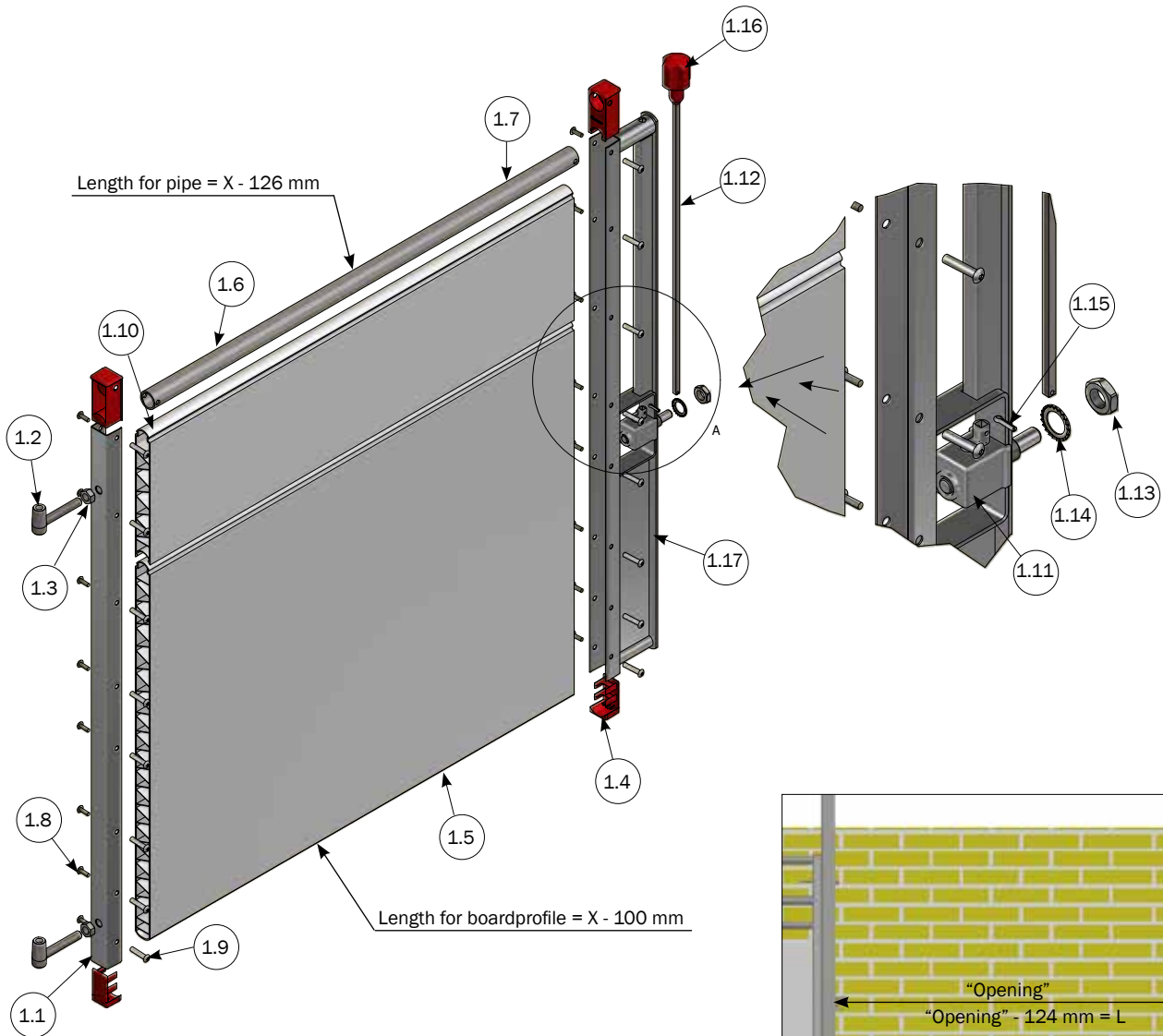
GATE FOR INN-O-FLEX 35 MM H110 3 BAR/PROFILEBOARD WITH TWIST



NO.	ITEM NO.	DESCRIPTION
1	4010798	GATE H110 3 BAR/BOARDPROFILE WITH TWIST, INN-O-FLEX 35
1.1	4050833	UPROFILE H1090 WITH NUT
1.2	4550427	INN-O-FLEX STUD BOLT COMPLET
1.3	68598	NUT 14 MM SS
1.4	30013	PLUG PANEL BOTTOM 50 CM/75 CM PANEL
1.5	30105	BOARDPROFILE 35X750 MM SPEC. LENGTH PRICE PER METER
1.6	8530058	TOP PLUG 1 BARS 35 MM
1.7	112406	33.7 X 2.65 PIPE GALV. PRICE PER METER, LENGTH 6 METER
1.8	39106020	CONNECTION SCREW M6X20 STAINLESS TORX 30
1.9	39206037	SPLICING SLEEVE M6X37 STAINLESS TORX 30
1.10	8530016	PLUG 2 BARS 35 MM
1.11	17120	CASE TURN LOCK
1.12	8050114	TURN ROD 645 MM
1.13	68593	LOCK NUT A2 20 X 1,5
1.14	68763	LOCK WASHER 20 MM DIN6798A
1.15	68895	4 X 20 RIVET
1.16	30020	KNOB TURN ROD CLEAN-O-FLEX®/INN-O-FLEX
1.17	4050831	ADAPTER FOR GATE WITH TWIST

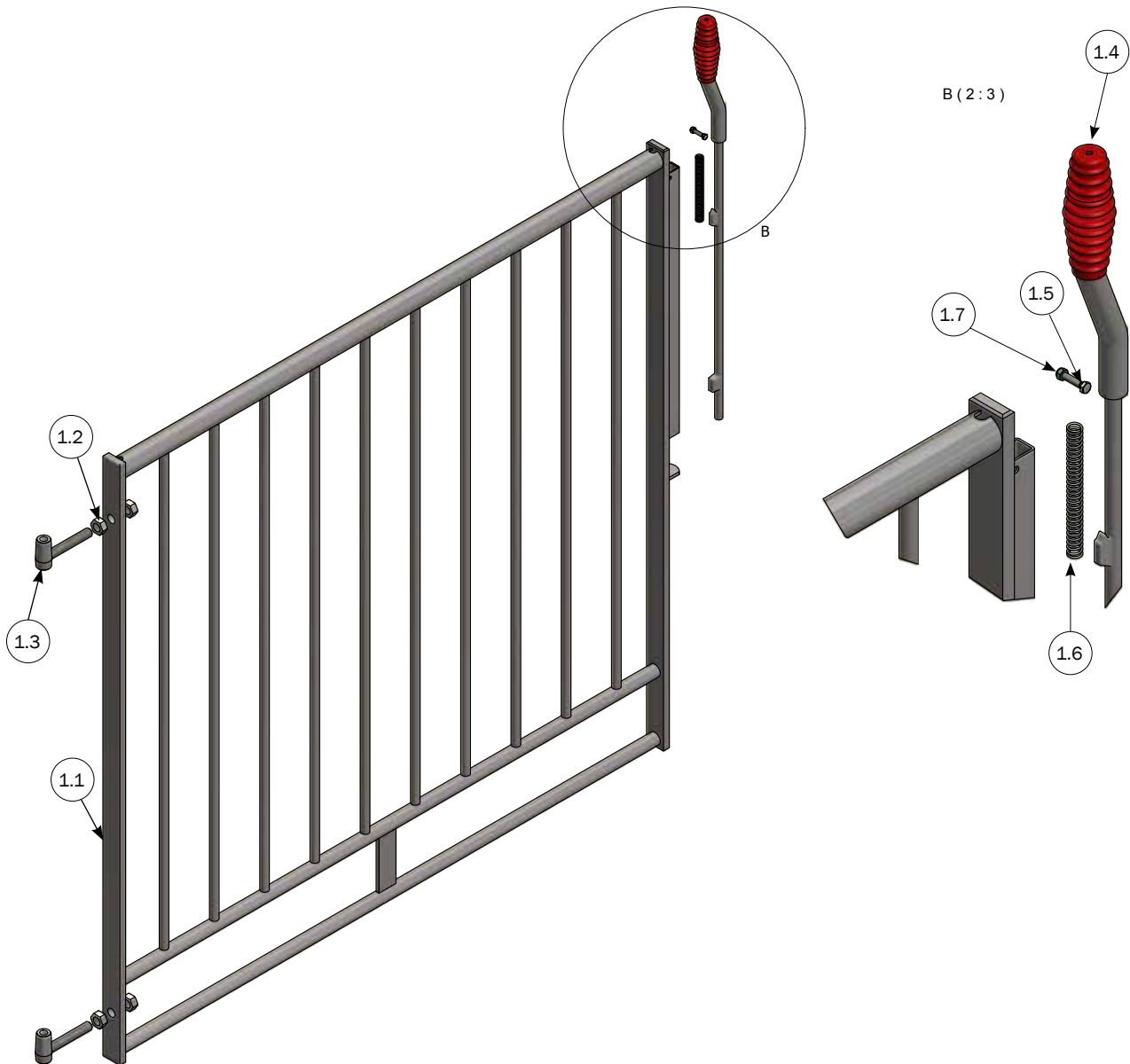
GATE FOR INN-O-FLEX 35 MM H110 1 BAR/BOARDPROFILE WITH TWIST

A(2:3)

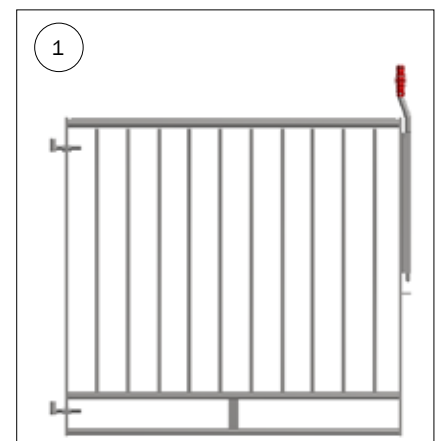


NO.	ITEM NO.	DESCRIPTION
1	4010799	GATE H110 1 BAR/BOARDPROFILE WITH TWIST, INN-O-FLEX 35
1.1	4050833	UPROFILE H1090 WITH NUT
1.2	4550427	INN-O-FLEX STUD BOLT COMPLET
1.3	68598	NUT 14 MM SS
1.4	30013	PLUG PANEL BOTTOM 50 CM/75 CM PANEL
1.5	30105	BOARDPROFILE 35X750 MM SPEC. LENGTH PRICE PER METER
1.6	8530058	TOP PLUG 1 BARS 35 MM
1.7	112406	33.7 X 2.65 PIPE GALV. PRICE PER METER, LENGTH 6 METER
1.8	39106020	CONNECTION SCREW M6X20 STAINLESS TORX 30
1.9	39206037	SPLICING SLEEVE M6X37 STAINLESS TORX 30
1.10	30099	BOARDPROFILE 35X250 MM SPEC. LENGTH PRICE PER METER
1.11	17120	CASE TURN LOCK
1.12	8050114	TURN ROD 645 MM
1.13	68563	NUT M10 A2 DIN 934
1.14	68763	LOCK WASHER 20 MM DIN6798A
1.15	68895	4 X 20 RIVET
1.16	30020	KNOB TURN ROD CLEAN-O-FLEX®/INN-O-FLEX
1.17	4050831	ADAPTER FOR GATE WITH TWIST

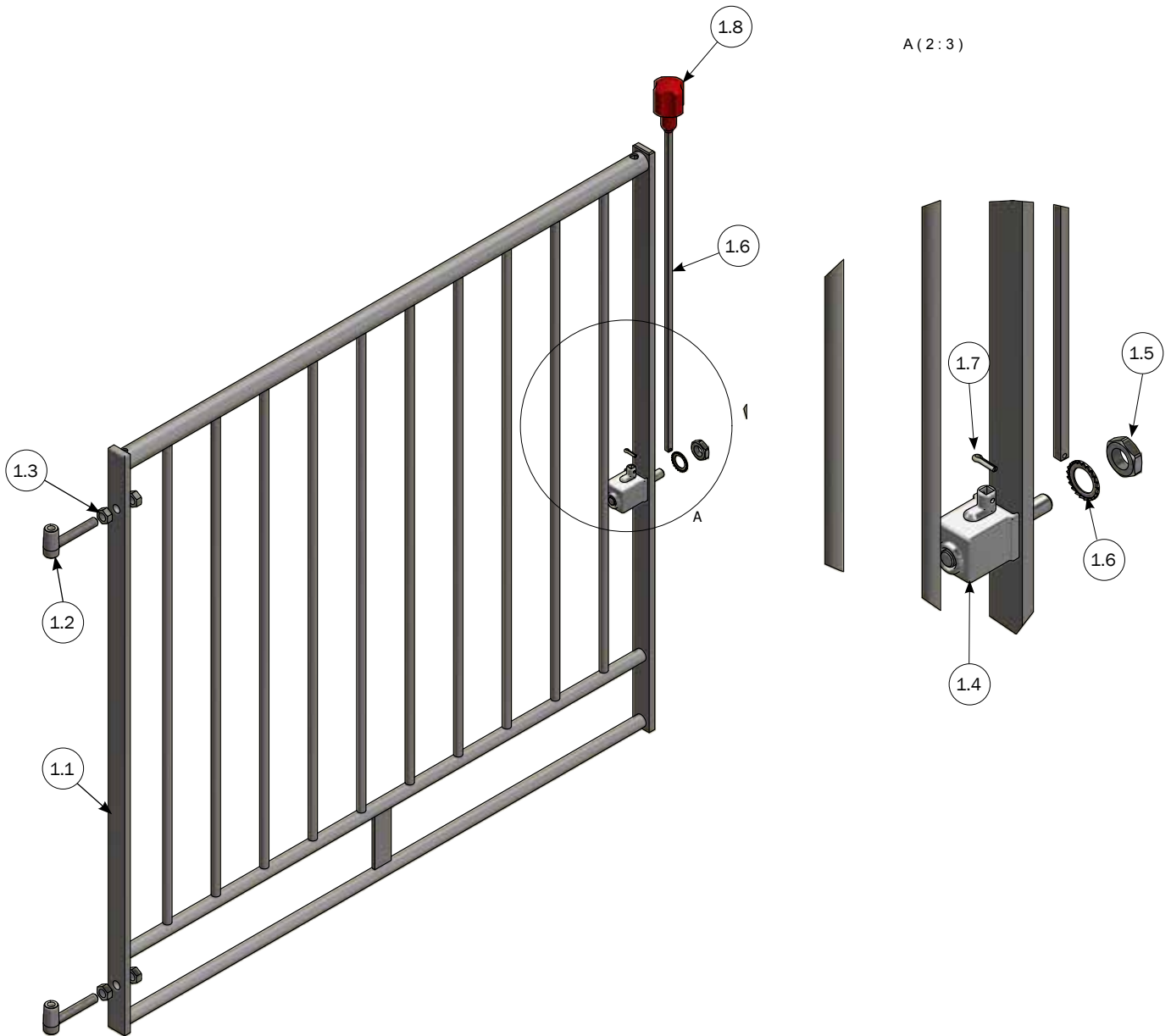
GRILLE GATE FOR INN-O-FLEX 35 MM H110 1250-1750 MM WITH PIN LOCK



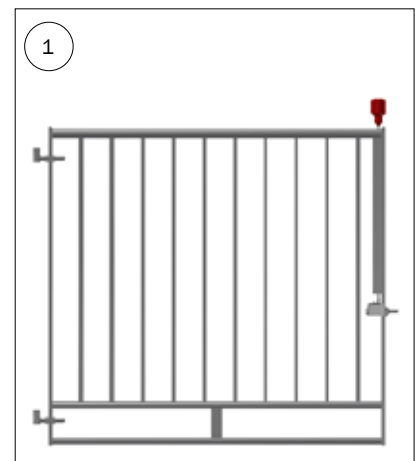
NO.	ITEM NO.	DESCRIPTION
	4010638	GATE H110 GRILLE L1250-1750 MM WITH PIN LOCK, INN-O-FLEX
	4010637	GATE H110 GRILLE L1750 MM WITH PIN LOCK, INN-O-FLEX
	4010636	GATE H110 GRILLE L1450 MM WITH PIN LOCK, INN-O-FLEX
1	4010635	GATE H110 GRILLE L1250 MM WITH PIN LOCK, INN-O-FLEX
1.1	4020635	GRILLE GATE 1250 MM FOR PIN LOCK
1.2	4550427	INN-O-FLEX STUD BOLT COMPLET
1.3	68598	NUT 14 MM SS
1.4	4105183	PIN LOCK FOR GATE INCL. GRIP
1.5	33905000	LOCK NUT M5 A2 DIN 985
1.6	9929004	COMPRESSION SPRING 1,6X12X115 MM
1.7	30305025	SET SCREW M5X25 A2 DIN 933



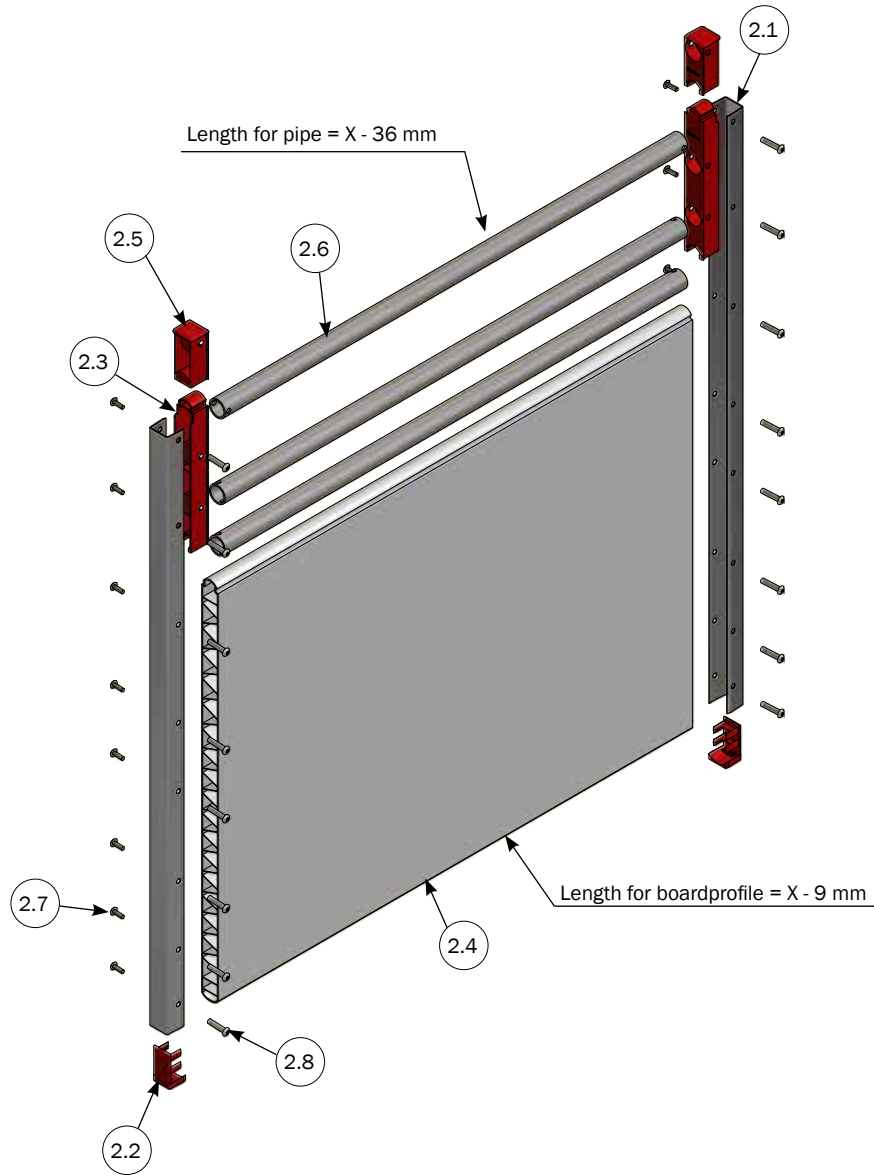
GRILLE GATE FOR INN-O-FLEX 35 MM H110 1250-1750MM WITH TWIST



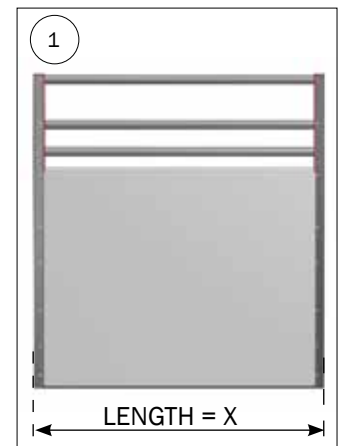
NO.	ITEM NO.	DESCRIPTION
	4010648	GATE H110 GRILLE L1250-1750 MM WITH TWIST, INN-O-FLEX
	4010647	GATE H110 GRILLE L1750 MM WITH TWIST, INN-O-FLEX
	4010646	GATE H110 GRILLE L1450 MM WITH TWIST, INN-O-FLEX
1	4010645	GATE H110 GRILLE L1250 MM WITH TWIST, INN-O-FLEX
1.1	4020645	GRILLE GATE 1250 MM FOR TWIST
1.2	4550427	INN-O-FLEX STUD BOLT COMPLET
1.3	68598	NUT 14 MM SS
1.4	17120	CASE TURN LOCK
1.5	68593	LOCK NUT A2 20 X 1,5
1.6	68763	LOCK WASHER 20 MM DIN6798A
1.7	68895	4 X 20 RIVET
1.8	30020	KNOB TURN ROD CLEAN-O-FLEX®/INN-O-FLEX
1.9	8050114	TURN ROD 645 MM



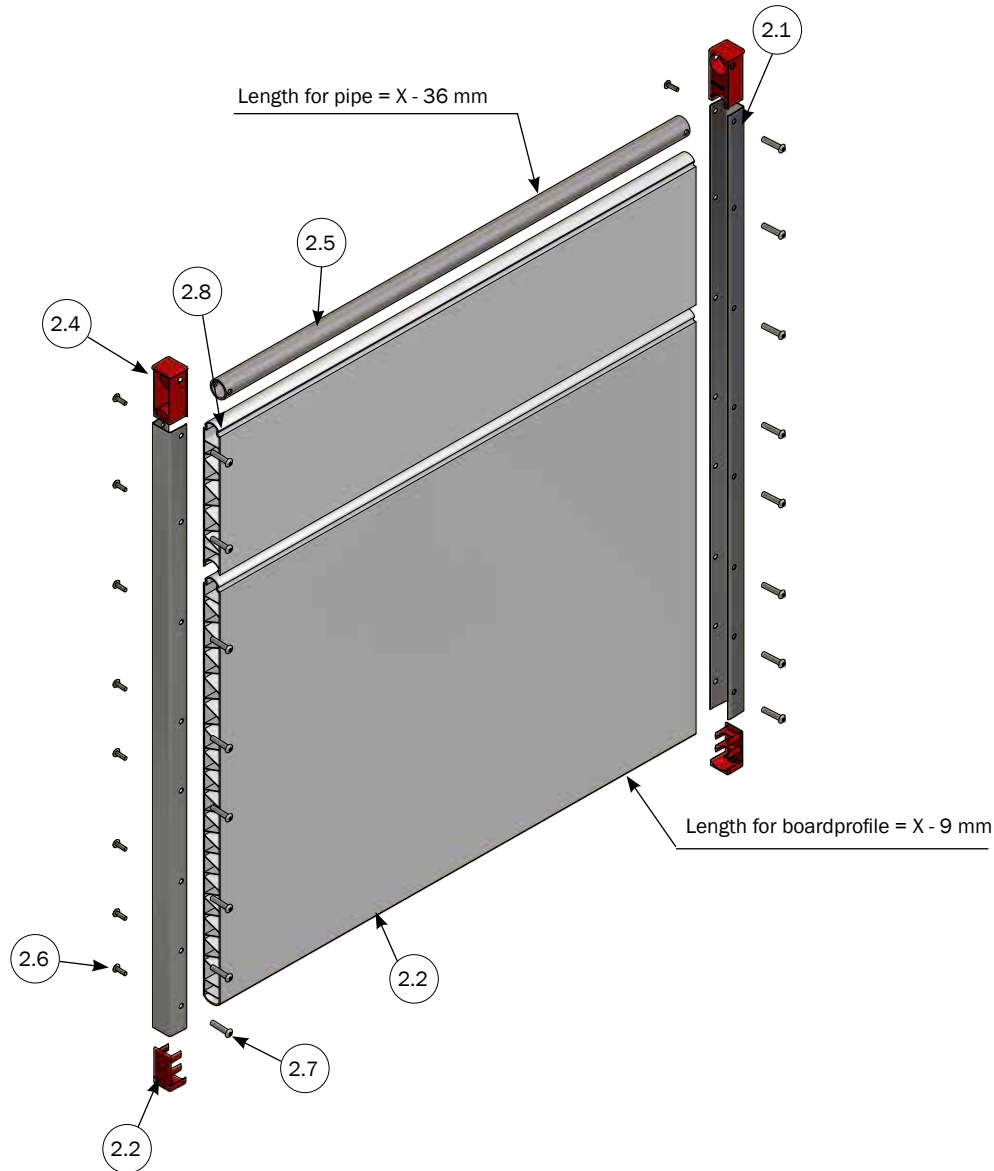
SIDE FOR INN-O-FLEX 35 MM H110 WITH 3 BAR/BOARDPROFILE



PARTS LIST			
NO.	PCS.	ITEM NO.	DESCRIPTION
1	1	4010738	SIDE H110 3 BAR/BOARDPROFILE,INN-O-FLEX 35
2	1	4010738U	UNSAMPLED SIDE H110 3 BAR/BOARDPROFILE,INN-O-FLEX 35
2.1	2	8450562	UPROFILE H1090
2.2	2	30013	PLUG PANEL BOTTOM 50 CM/75 CM PANEL
2.3	2	8530016	PLUG 2 BARS 35 MM
2.4	LBM	30105	BOARDPROFILE 35X750 MM SPEC. LENGTH PRICE PER METER
2.5	2	8530058	TOP PLUG 1 BARS 35 MM
2.6	LBM	112406	33.7 X 2.65 PIPE GALV. PRICE PER METER, LENGTH 6 METER
2.7	16	39106020	CONNECTION SCREW M6X20 STAINLESS TORX 30
2.8	16	39206037	SPLICING SLEEVE M6X37 STAINLESS TORX 30



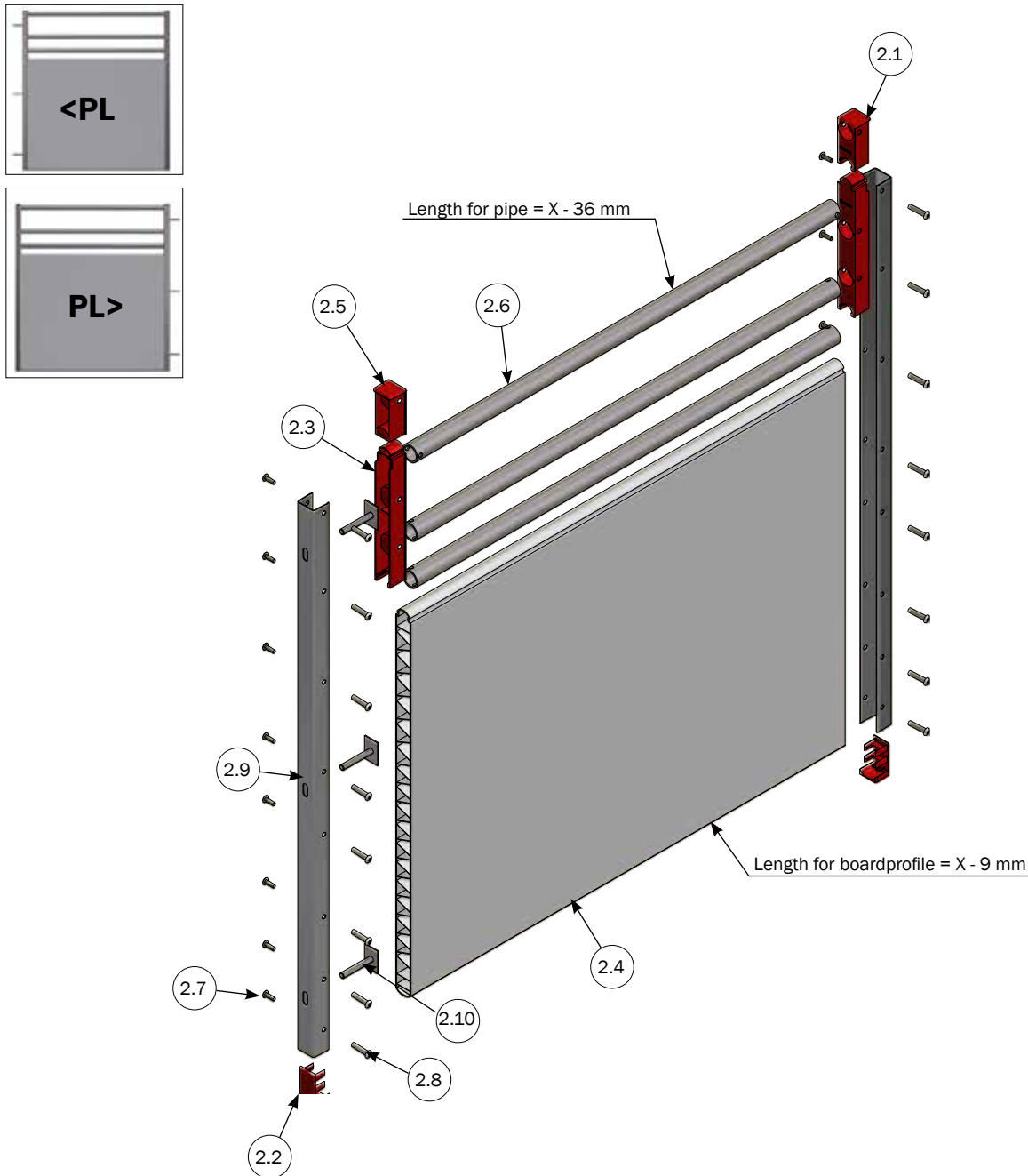
SIDE FOR INN-O-FLEX 35 MM H110 WITH 1 BAR/BOARDPROFILE



PARTS LIST			
NO.	PCS.	ITEM NO.	DESCRIPTION
1	1	4010741	SIDE H110 1 BAR/BOARDPROFILE,INN-O-FLEX 35
2	1	4010741U	UNSAMPLED SIDE H110 1 BAR/BOARDPROFILE,INN-O-FLEX 35
2.1	2	8450562	UPROFILE H1090
2.2	2	30013	PLUG PANEL BOTTOM 50 CM/75 CM PANEL
2.3	LBM	30105	BOARDPROFILE 35X750 MM SPEC. LENGTH PRICE PER METER
2.4	2	8530058	TOP PLUG 1 BARS 35 MM
2.5	LBM	112406	33.7 X 2.65 PIPE GALV. PRICE PER METER, LENGTH 6 METER
2.6	16	39106020	CONNECTION SCREW M6X20 STAINLESS TORX 30
2.7	16	39206037	SPLICING SLEEVE M6X37 STAINLESS TORX 30
2.8	LBM	30099	BOARDPROFILE 35X250 MM SPEC. LENGTH PRICE PER METER

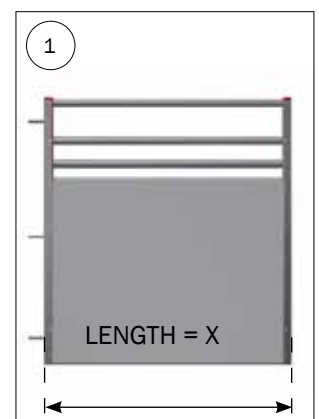


SIDE FOR INN-O-FLEX 35 MM H110 3 BAR/BOARDPROFILE WITH SINGLE BOLT

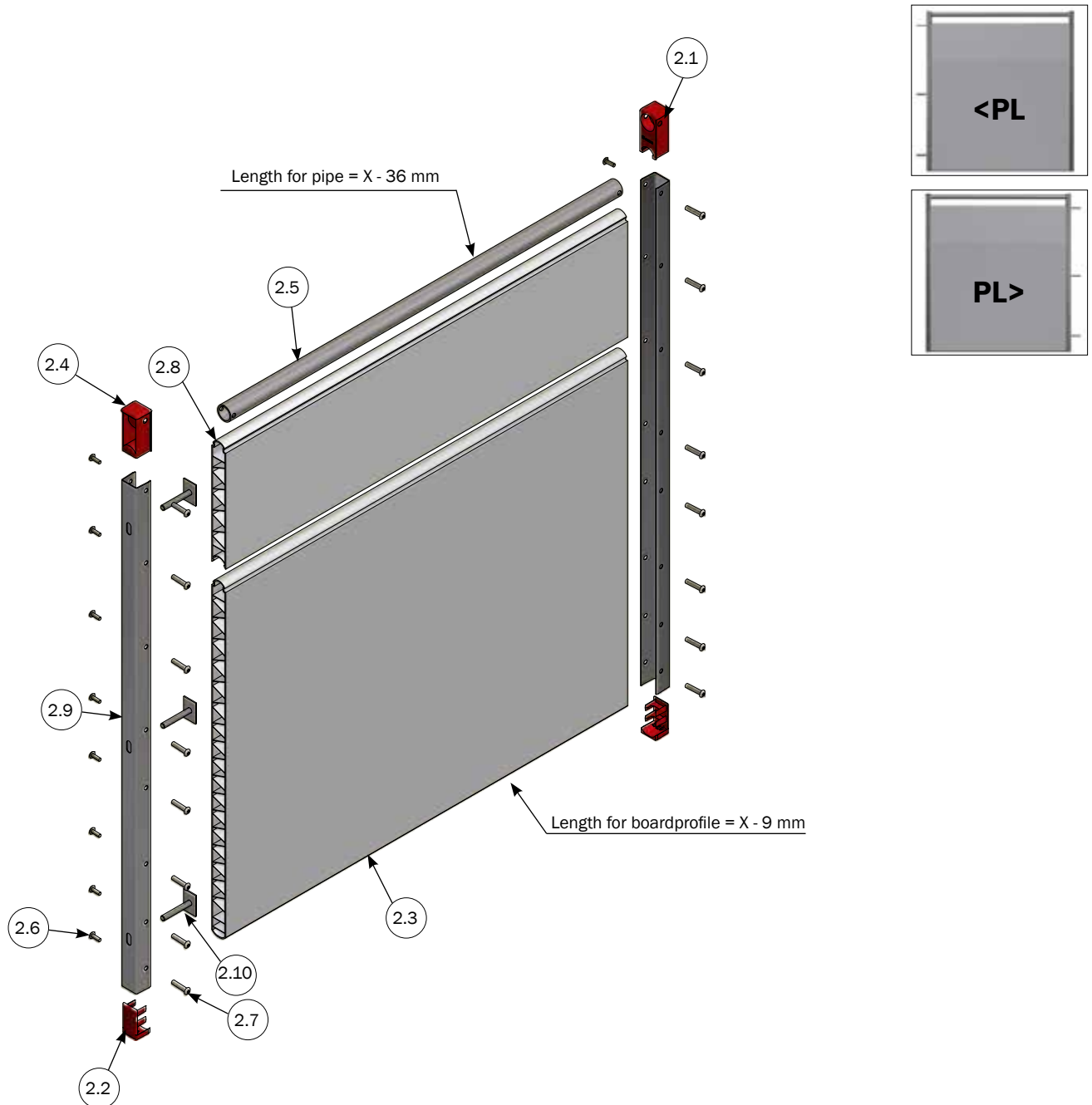


PARTS LIST

NO.	PCS.	ITEM NO.	DESCRIPTON
1	1	4010739	SIDE H110 3 BAR/BOARDPROFILE WITH SINGLE BOLT, INN-O-FLEX 35
2	1	4010739U	UNSAMPLED SIDE H110 3 BAR/BOARDPROFILE WITH SINGLE BOLT, INN-O-FLEX 35
2.1	2	8450562	UPROFILE H1090
2.2	2	30013	PLUG PANEL BOTTOM 50 CM/75 CM PANEL
2.3	2	8530016	PLUG 2 BARS 35 MM
2.4	LBM	30105	BOARDPROFILE 35X750 MM SPEC. LENGTH PRICE PER METER
2.5	2	8530058	TOP PLUG 1 BARS 35 MM
2.6	LBM	112406	33.7 X 2.65 PIPE GALV. PRICE PER METER, LENGTH 6 METER
2.7	16	39106020	CONNECTION SCREW M6X20 STAINLESS TORX 30
2.8	16	39206037	SPLICING SLEEVE M6X37 STAINLESS TORX 30
2.9	1	8450567	UPROFILE H1090 WITH HOLE FOR BOLT
2.10	3	29695	M10 X 70 BOLT SPEC. HEAD F/INN-O-FLEX

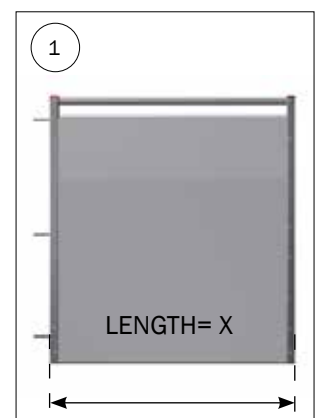


SIDE FOR INN-O-FLEX 35 MM H110 1 BAR/BOARDPROFILE WITH SINGLE BOLT

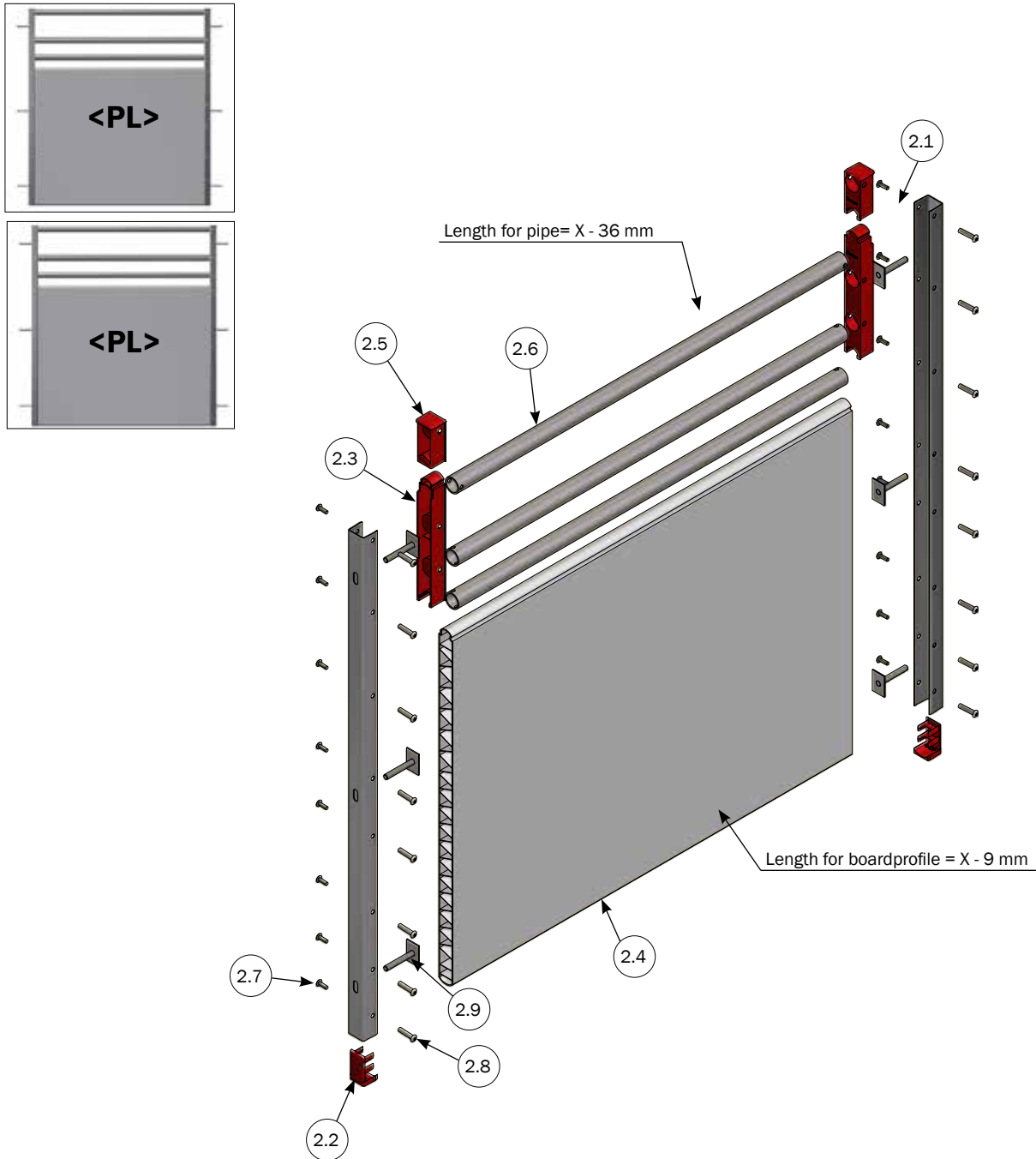


PARTS LIST

NO.	PCS.	ITEM NO.	DESCRIPTION
1	1	4010742	SIDE H110 1 BAR/BOARDPROFILE WITH SINGLE BOLT, INN-O-FLEX 35
2	1	4010742U	UNSAMPLED SIDE H110 1 BAR/BOARDPROFILE WITH SINGLE BOLT, INN-O-FLEX 35
2.1	2	8450562	UPROFILE H1090
2.2	2	30013	PLUG PANEL BOTTOM 50 CM/75 CM PANEL
2.3	LBM	30105	BOARDPROFILE 35X750 MM SPEC. LENGTH PRICE PER METER
2.4	2	8530058	TOP PLUG 1 BARS 35 MM
2.5	LBM	112406	33.7 X 2.65 PIPE GALV. PRICE PER METER, LENGTH 6 METER
2.6	16	39106020	CONNECTION SCREW M6X20 STAINLESS TORX 30
2.7	16	39206037	SPLICING SLEEVE M6X37 STAINLESS TORX 30
2.8	LBM	30099	BOARDPROFILE 35X250 MM SPEC. LENGTH PRICE PER METER
2.9	1	8450567	UPROFILE H1090 WITH HOLE FOR BOLT
2.10	3	29695	M10 X 70 BOLT SPEC. HEAD F/INN-O-FLEX

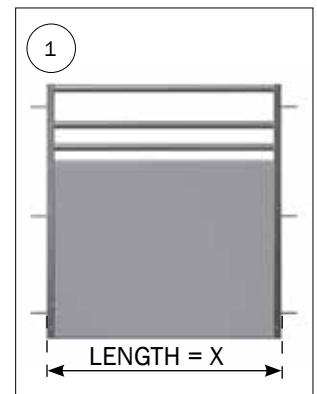


SIDE FOR INN-O-FLEX 35 MM H110 3 BAR/BOARDPROFILE WITH DOUBLE BOLT

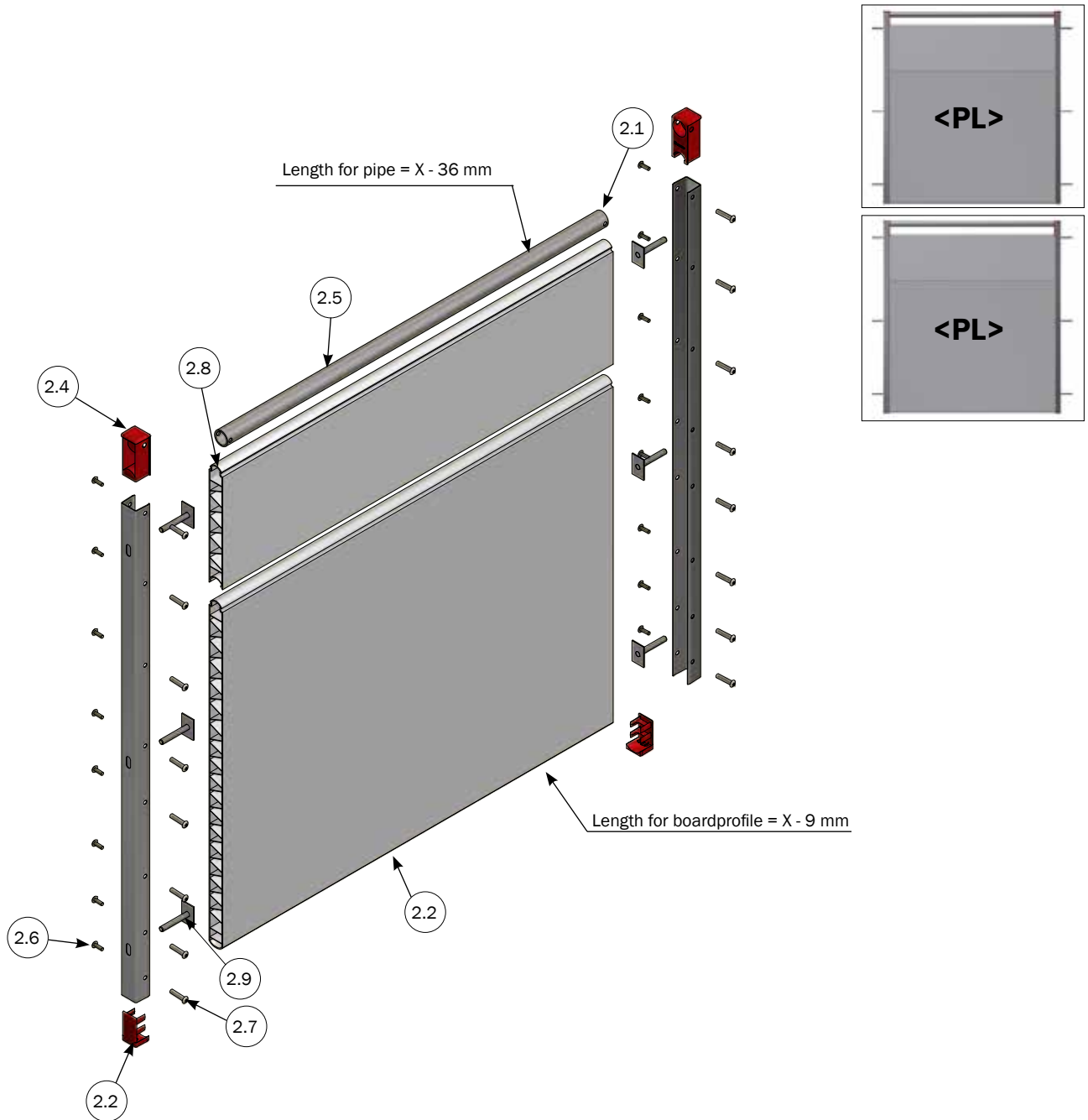


PARTS LIST

NO.	PCS.	ITEM NO.	DESCRIPTION
1	1	4010740	SIDE H110 3 BAR/BOARDPROFILE WITH DOUBLE BOLT, INN-O-FLEX 35
2	1	4010740U	UNASEMPLED SIDE H110 3 BAR/BOARDPROFILE WITH DOUBLE BOLT, INN-O-FLEX 35
2.1	2	8450567	UPROFILE H1090 WITH HOLE FOR BOLT
2.2	2	30013	PLUG PANEL BOTTOM 50 CM/75 CM PANEL
2.3	2	8530016	PLUG 2 BARS 35 MM
2.4	LBM	30105	BOARDPROFILE 35X750 MM SPEC. LENGTH PRICE PER METER
2.5	2	8530058	TOP PLUG 1 BARS 35 MM
2.6	LBM	112406	33.7 X 2.65 PIPE GALV. PRICE PER METER, LENGTH 6 METER
2.7	16	39106020	CONNECTION SCREW M6X20 STAINLESS TORX 30
2.8	16	39206037	SPLICING SLEEVE M6X37 STAINLESS TORX 30
2.9	6	29695	M10 X 70 BOLT SPEC. HEAD F/INN-O-FLEX

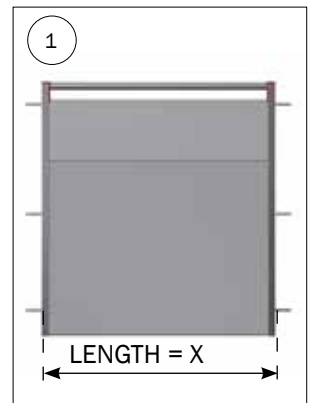


SIDE FOR INN-O-FLEX 35 MM H110 1 BAR/BOARDPROFILE WITH DOUBLE BOLT

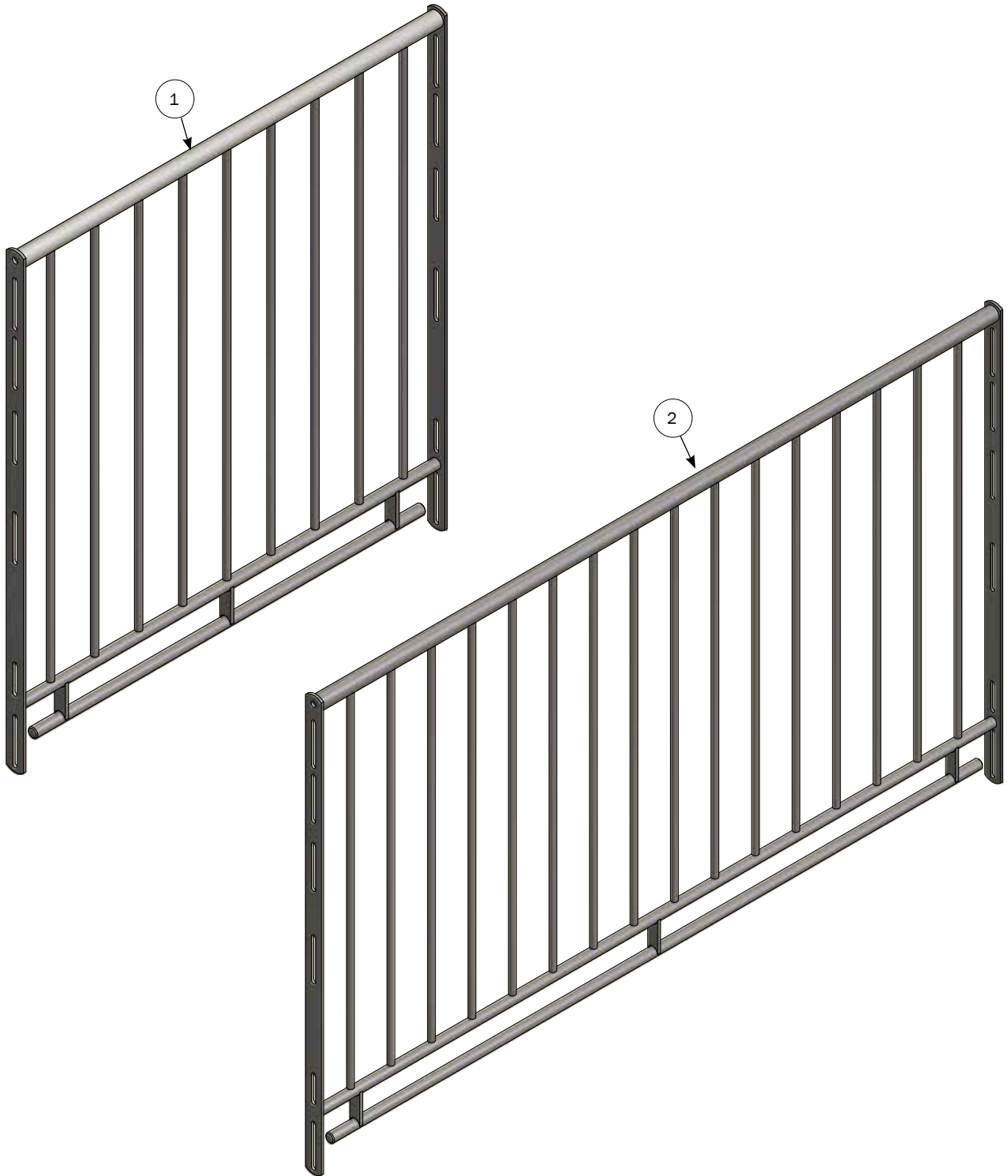


PARTS LIST

NO.	PCS.	ITEM NO.	DESCRIPTON
1	1	4010743	SIDE H110 1 BAR/BOARDPROFILE WITH DOUBLE BOLT, INN-O-FLEX 35
2	1	4010743U	UNASAMPLED SIDE H110 1 BAR/BOARDPROFILE WITH DOUBLE BOLT, INN-O-FLEX 35
2.1	2	8450567	UPROFILE H1090 WITH HOLE FOR BOLT
2.2	2	30013	PLUG PANEL BOTTOM 50 CM/75 CM PANEL
2.3	LBM	30105	BOARDPROFILE 35X750 MM SPEC. LENGTH PRICE PER METER
2.4	2	8530058	TOP PLUG 1 BARS 35 MM
2.5	LBM	112406	33.7 X 2.65 PIPE GALV. PRICE PER METER, LENGTH 6 METER
2.6	16	39106020	CONNECTION SCREW M6X20 STAINLESS TORX 30
2.7	16	39206037	SPLICING SLEEVE M6X37 STAINLESS TORX 30
2.8	LBM	30099	BOARDPROFILE 35X250 MM SPEC. LENGTH PRICE PER METER
2.9	6	29695	M10 X 70 BOLT SPEC. HEAD F/INN-O-FLEX

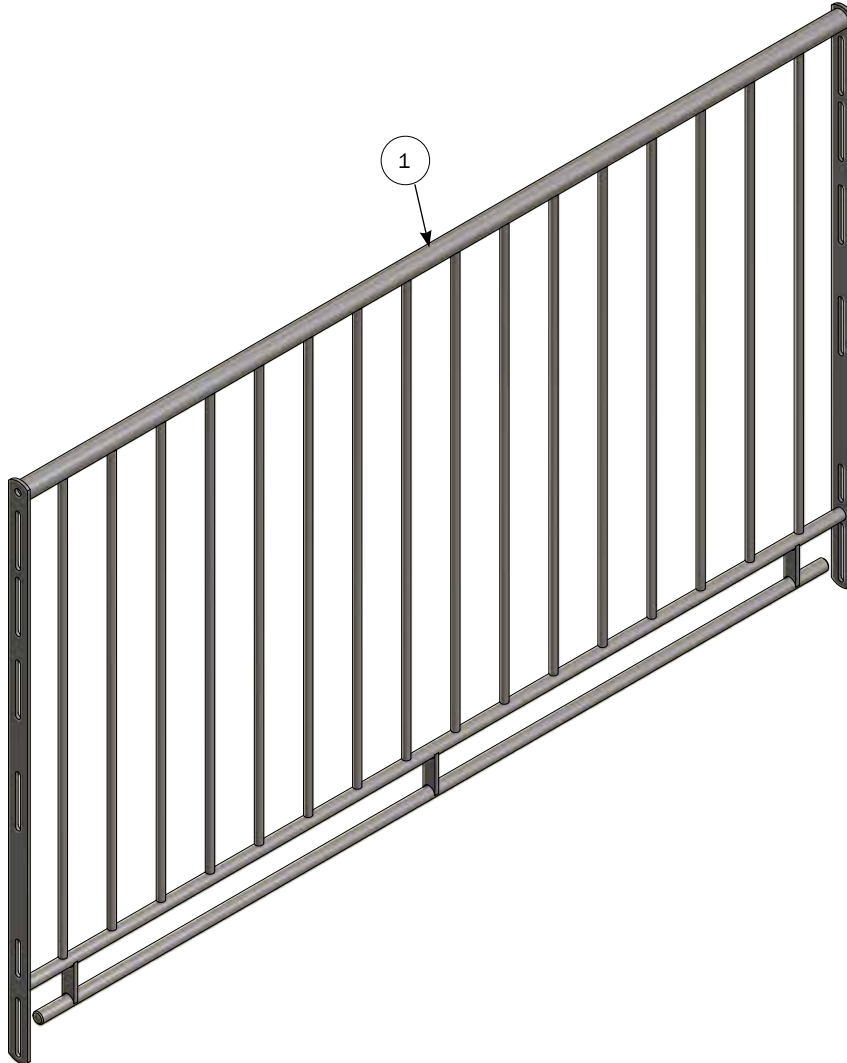


GRILLE FOR INN-O-FLEX 35MM H110MM 200-2500 MM



NO.	ITEM NO.	DESCRIPTION
1	4020939	GRILLE H1100, L:200-1000 MM
2	4020944	GRILLE H110, L:1750 - 2500 MM

GRILLE FOR INN-O-FLEX 35MM H110MM 1000-1750 MM



NO.	ITEM NO.	DESCRIPTION
	4020940	GRILLE H110, L:1250 MM
	4020941	GRILLE H110, L:1250 MM
	4020942	GRILLE H110, L:1450 MM
1	4020943	GRILLE H110, L:1750 MM

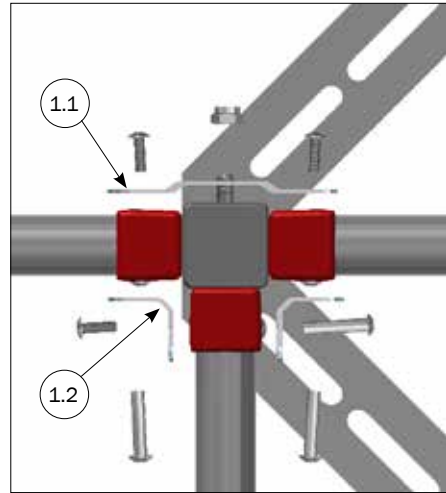
INN-O-FLEX ASSEMBLY FOR CORNER



Mounting with bolt from "side with bolt"



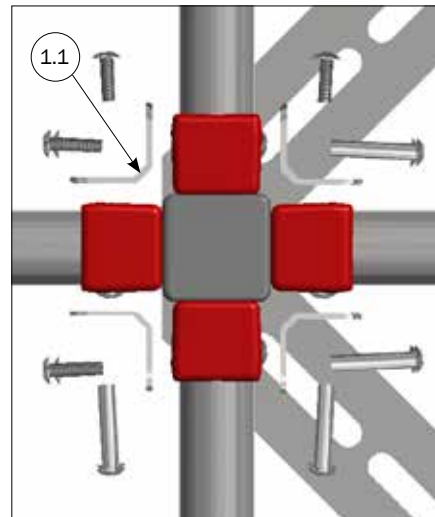
Mounting with connection screw from side.



PARTS LIST			
NO.	PCS.	ITEM NO.	DESCRIPTION
1	1	4000923	INN-O-FLEX ASSEMBLY FOR PANELT-PCS.
1.1	2	29760	INN-O-FLEX ASSEMBLY BRACKET DOUBLE
1.2	4	8450561	INN-O-FLEX CORNER BRACKET

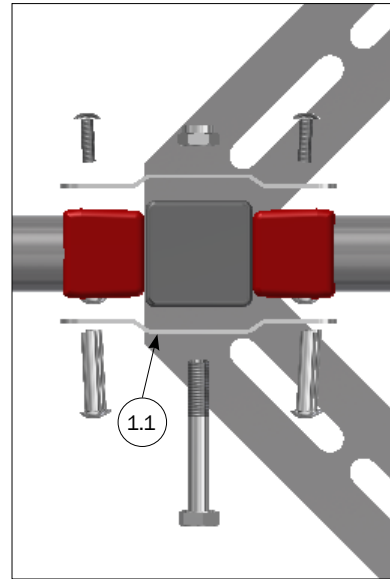
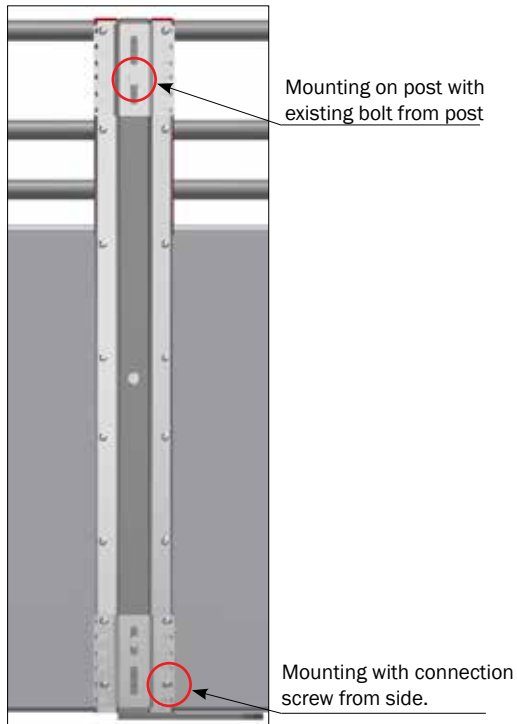


Mounting with connection screw from side.



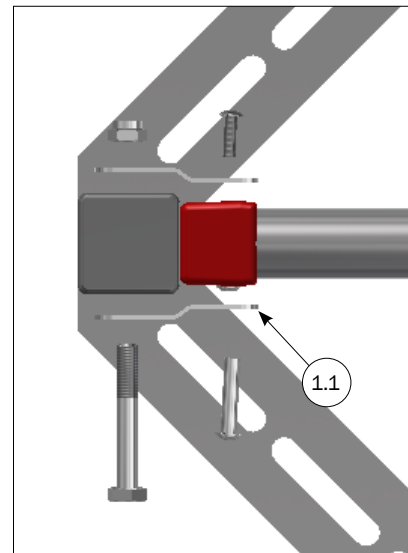
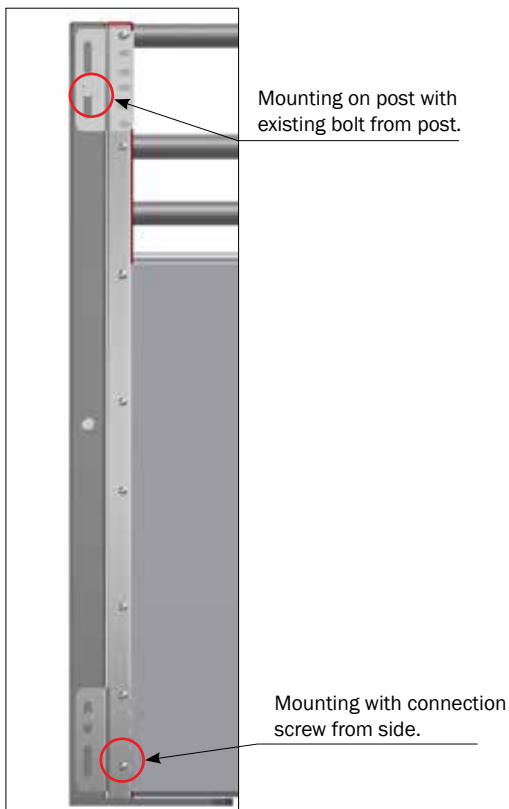
PARTS LIST			
NO.	PCS.	ITEM NO.	DESCRIPTION
1	1	4000924	INN-O-FLEX ASSEMBLY FOR PANELCROSS PCS.
1.1	4	29760	INN-O-FLEX ASSEMBLY BRACKET DOUBLE

INN-O-FLEX ASSEMBLY FOR EXTENSION/END POST



PARTS LIST

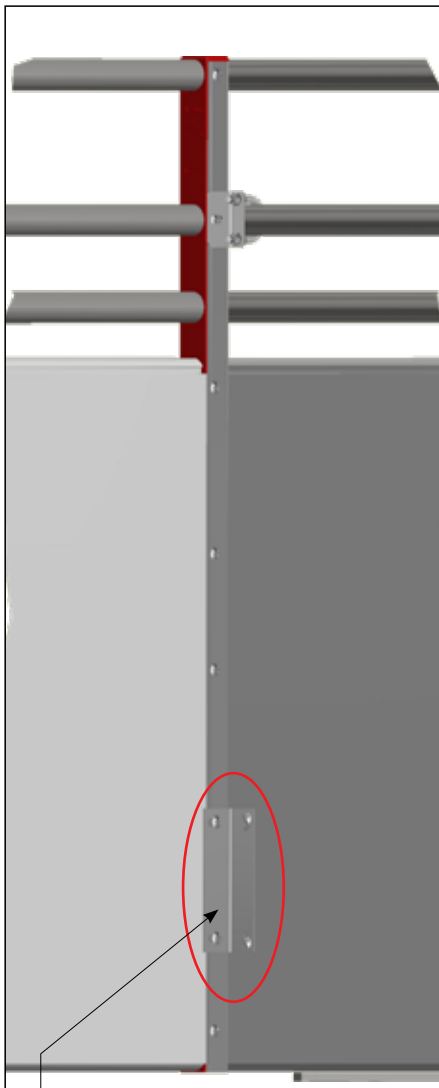
NO.	PCS.	ITEM NO.	DESCRIPTION
1	1	29800	INN-O-FLEX ASSEMBLY BOARDPROFILE DOUBLE
1.1	4	29760	INN-O-FLEX ASSEMBLY BRACKET DOUBLE



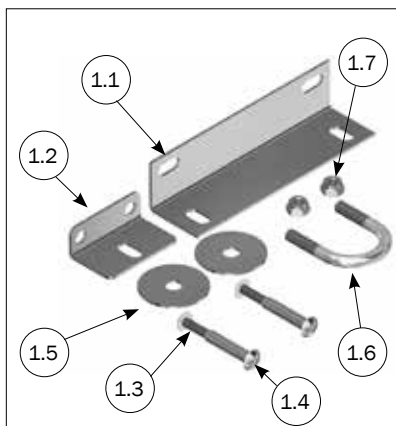
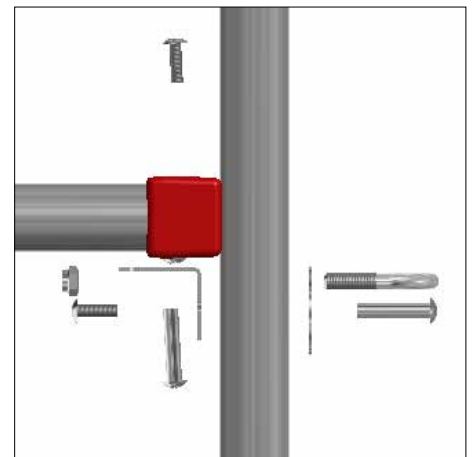
PARTS LIST

NO.	PCS.	ITEM NO.	DESCRIPTION
1	1	29805	INN-O-FLEX ASSEMBLY BOARDPROFILE SINGLE
1.1	4	29750	INN-O-FLEX ASSEMBLY FITTING RIGHT

MOUNTING KIT FOR U-POST AGAINST FRONT PART BOARDPROFILE/BARS



Mounting with connection screw from side.

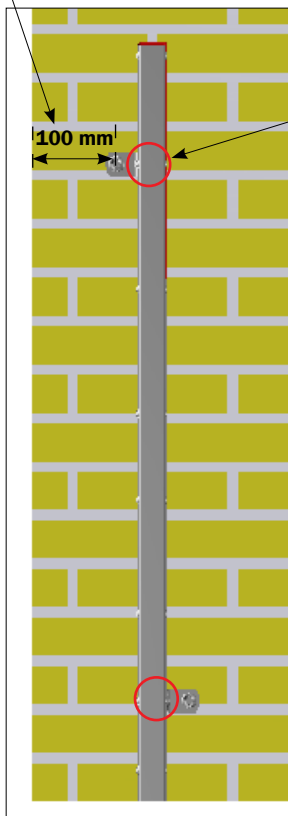


PARTS LIST

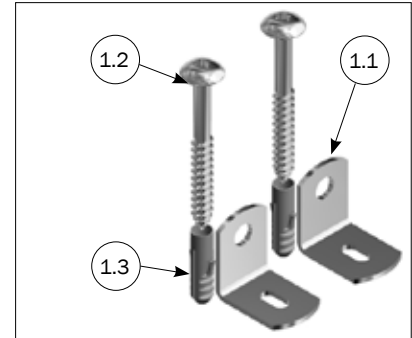
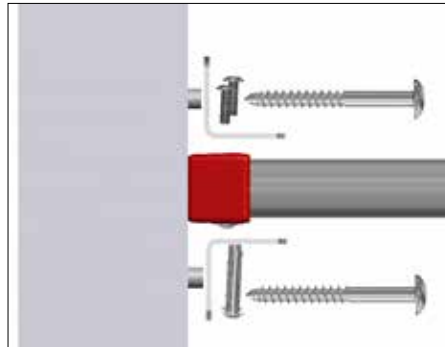
NO.	PCS.	ITEM NO.	DESCRIPTION
1	1	38527	MOUNT KIT F/U-POST AGAINST FRONT PART BOARDPROFILE/BARS
1.1	1	30901	ANGLE BRACKET, LONG
1.2	1	30898	ANGLE BRACKET FOR TOPBAR SMALL
1.3	2	39106020	CONNECTION SCREW M6X20 STAINLESS TORX 30
1.4	2	39206037	SPLICING SLEEVE M6X37 STAINLESS TORX 30
1.5	2	20037	HIGH DUO DOOR 27 SINGLE, BOX WIDTH 62-70 CM
1.6	1	90100062	U-BOLT 1' STAINLESS
1.7	2	33908001	LOCK NUT M8 A2 DIN 985

MONTING KIT FOR U-POST AGAINST WALL WITH MORE THAN 100 MM DISTANCE

For mounting of post in wall is "38520" in use.
Minimum 100 mm from edge of wall to bracket.



Mounting with connection screw from side.

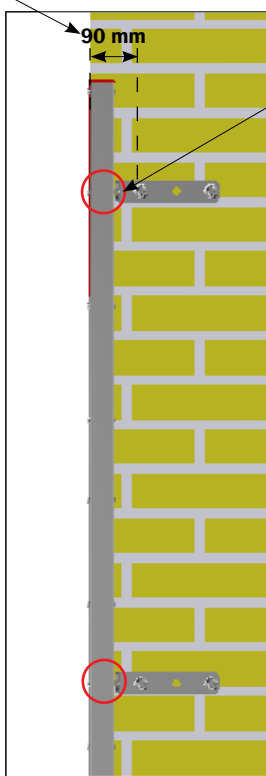


PARTS LIST

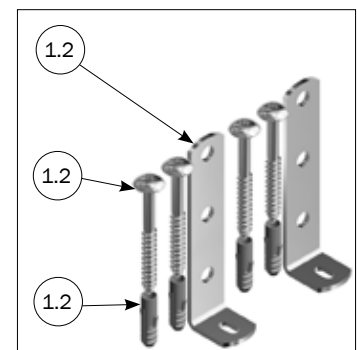
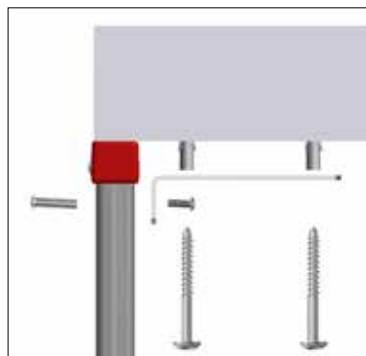
NO.	PCS.	ITEM NO.	DESCRIPTION
1	1	38520	MOUNT KIT FOR U-POST AGAINST WALL
1.1	2	30906	WALL BRACKET ANGLE/PANEL
1.2	2	67444	10 X 70 BUTTON HEAD TORX 50 STAINLESS STEEL
1.3	2	39900001	WALL PLUG 12X60 MM

MOUNTING KIT FOR FRONT PARTS AGAINST WALL WITH DISTANCE LESS THAN 100 MM

Below 100 mm from edge of wall to bracket must "38519" be in use



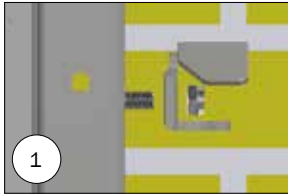
Mounting with connection screw from side.



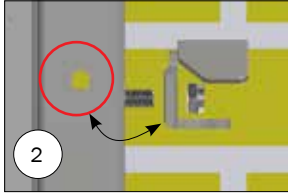
PARTS LIST

NO.	PCS.	ITEM NO.	DESCRIPTION
1	1	38519	MOUNTING KIT FOR FRONT PART AGAINST WALL
1.1	2	30899	BRACKET FOR WALL LONG
1.2	4	67444	10 X 70 BUTTON HEAD TORX 50 STAINLESS STEEL
1.3	4	39900001	WALL PLUG 12X60 MM

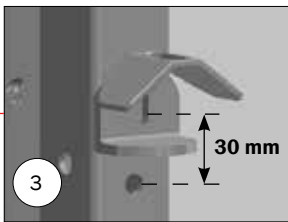
MOUNTING KIT FOR GATE WITH PIN LOCK



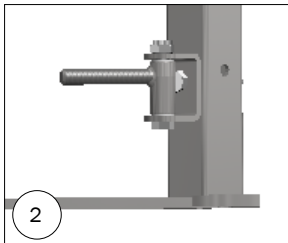
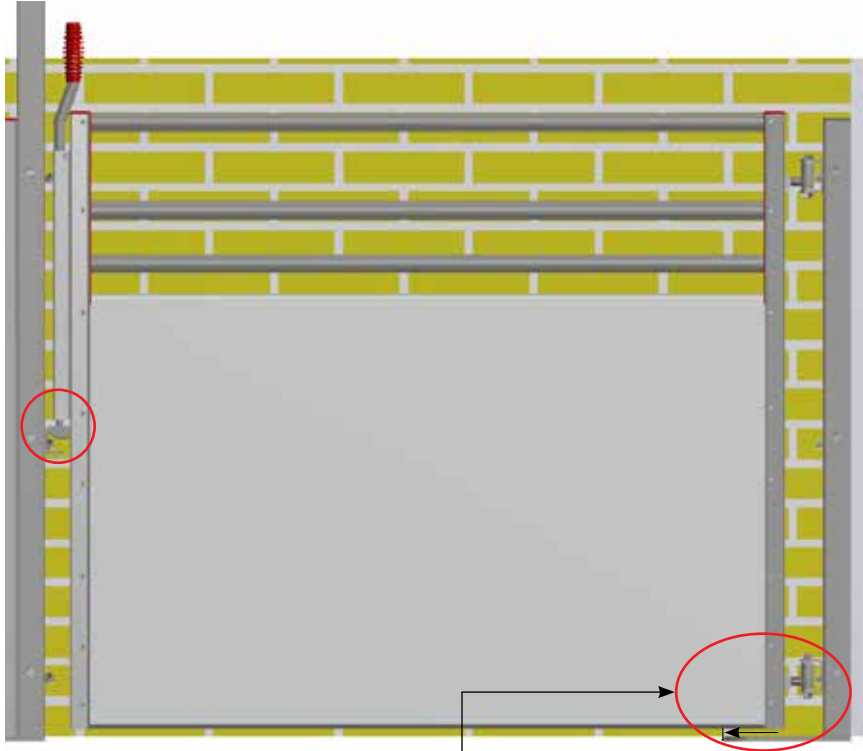
1
Mounting of bracket is bolt from post in use



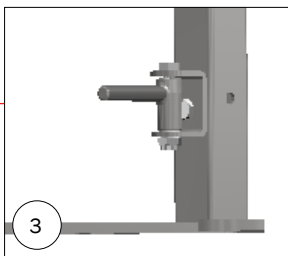
2
Mounting of bracket is bolt from post in use. Post is turned so footplates is turning out/inside.



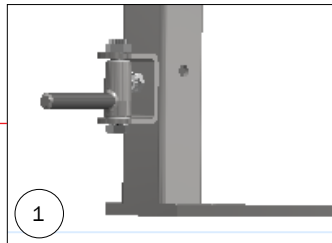
3
Mounting of drop latch "make new hole with M10 thread at the place. Must be ordered separately:
Set screw for mounting " 30310025"
SET SCREW M10X25 A2 DIN 933



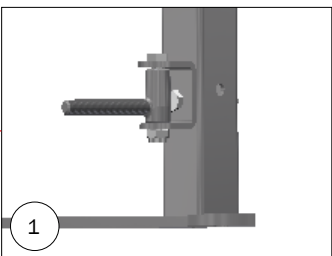
2
Distance between floor and bottom of gate is 30 mm



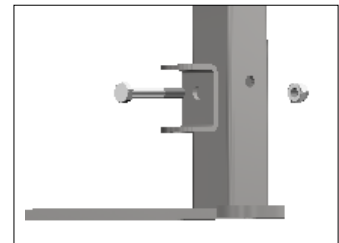
3
Distance between floor and bottom of gate is 40 mm



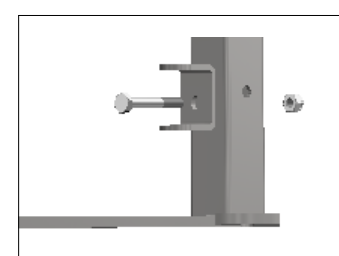
1
Distance between floor and bottom of gate is 10 mm



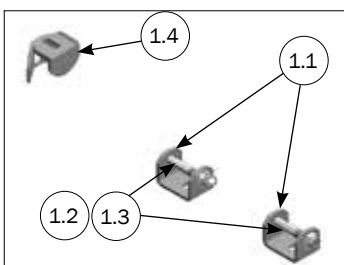
1
Distance between floor and bottom of gate is 20 mm



Bracket is mounted with bolt from post



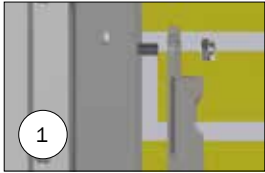
Bracket is mounted with bolt from post



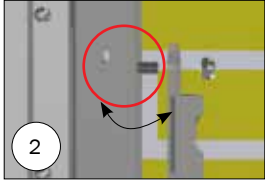
PARTS LIST

NO.	PCS.	ITEM NO.	DESCRIPTION
1	1	4000904	KIT FOR GATE WITH PIN BOLT
1.1	2	29715HG	INN-O-FLEX HINGE BRACKET
1.2	2	67549	M12 X 80 HEX HEAD BOLT A2
1.3	2	33912000	LOCK NUT M12 A2 DIN 985
1.4	1	1915043	DROP LATCH 40 MM.

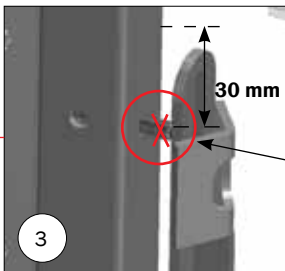
MOUNTING KIT FOR GATE WITH TWIST



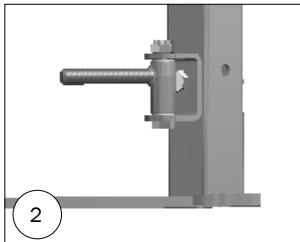
1
Mounting of bracket is bolt from post in use



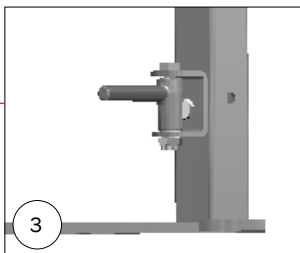
2
Mounting of bracket is bolt from post in use. Post is turned so footplates is turning out/inside.



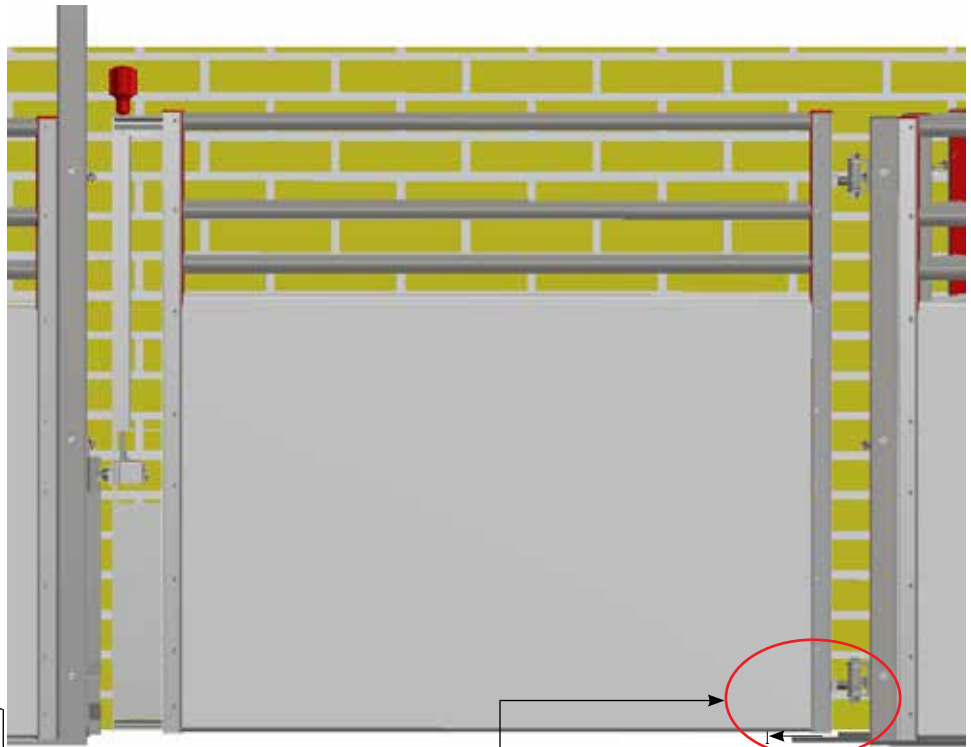
3
Mounting of receiverbracket "make new hole with M10 thread at the place".
Must be ordered separately:
Set screw for mounting " 30310025"
SET SCREW M10X25 A2 DIN 933



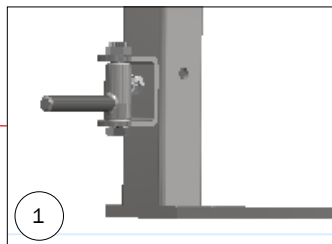
2
Distance between floor and bottom of gate is 30 mm



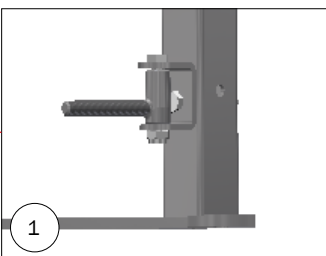
3
Distance between floor and bottom of gate is 40 mm



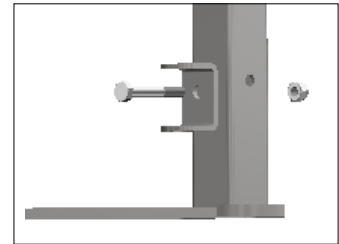
Existing bolt is cut of for mounting of bracket.



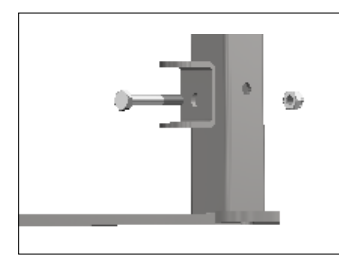
1
Distance between floor and bottom of gate is 10 mm



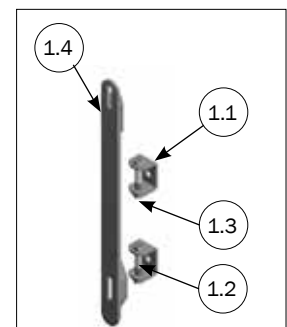
1
Distance between floor and bottom of gate is 20 mm



Bracket is mounted with bolt from post



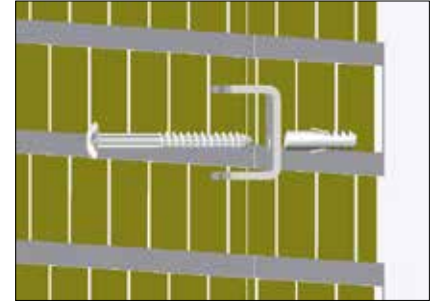
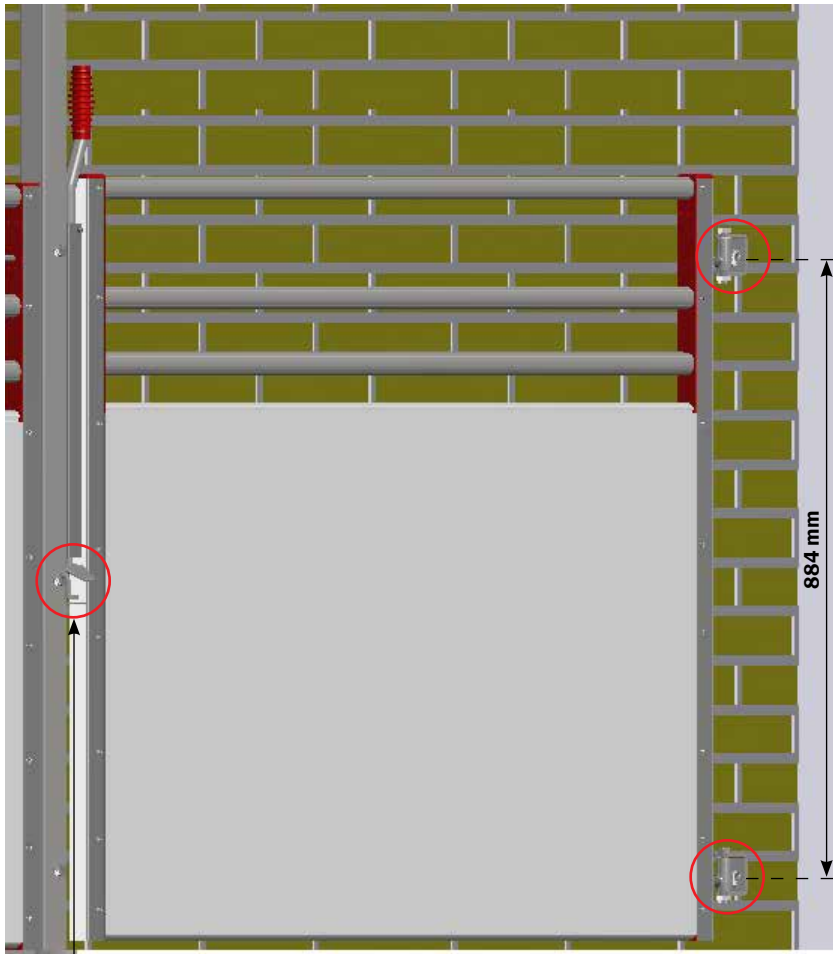
Bracket is mounted with bolt from post



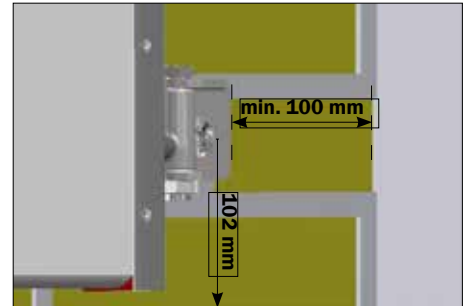
PARTS LIST

NO.	PCS.	ITEM NO.	DESCRIPTION
1	1	4000896	KIT FOR GATE WITH TWISTLOCK
1.1	2	29715HG	INN-O-FLEX HINGE BRACKET
1.2	2	67549	M12 X 80 HEX HEAD BOLT A2
1.3	2	33912000	LOCK NUT M12 A2 DIN 985
1.4	1	29728	INN-O-FLEX RECEIVERBRACKET

MOUNTING OF GATE WITH PIN LOCK AGAINST WALL



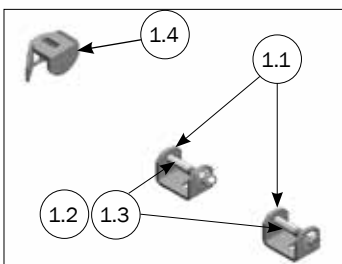
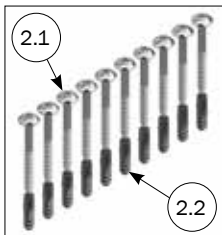
Mounting on wall "4800010"
10 PCS. SS BUTTON HEAD SCREWS 10X70
+ WALL PLUG



Distance from edge of wall to bracket min. 100 mm
distance from floor to hole on bracket is 102 mm



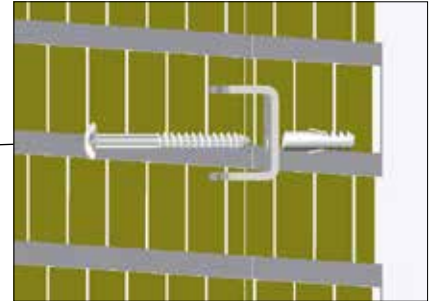
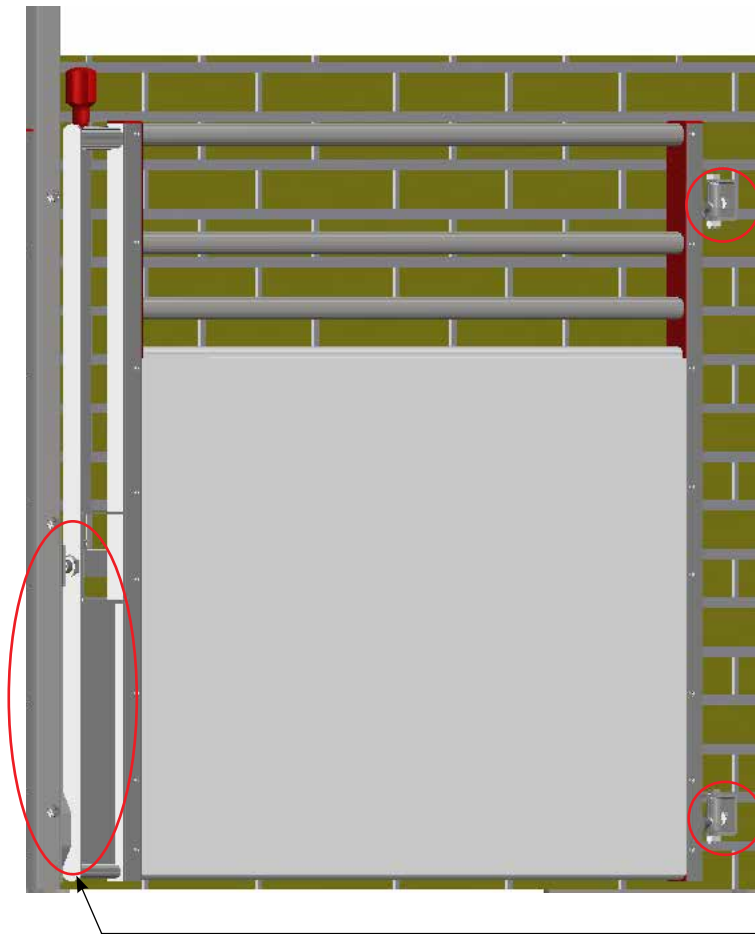
Bracket is mounted with bolt
from post.



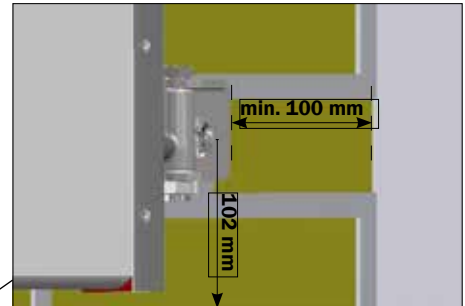
PARTS LIST

NO.	PCS.	ITEM NO.	DESCRIPTION
1	1	4000904	KIT FOR GATE WITH PIN BOLT
1.1	2	29715HG	INN-O-FLEX HINGE BRACKET
1.2	2	67549	12 X 80 HEX HEAD BOLT A2
1.3	2	33912000	LOCK NUT M12 A2 DIN 985
1.4	1	1915043	DROP LATCH 40 MM.
2	1	4800010	10 PCS. SS BUTTON HEAD SCREWS M10X70 + WALL PLUG
2.1	(10) 2	67444	M10 X 70 BUTTON HEAD TORX 50 STAINLESS STEEL
2.2	(10) 2	39900001	WALL PLUG 12X60 MM

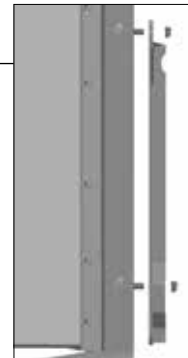
MOUNTING OF GATE WITH TWIST AGAINST WALL



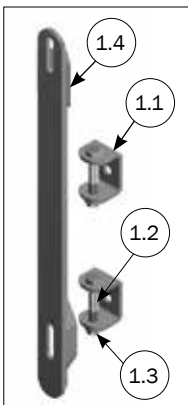
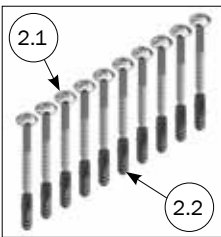
Mounting on wall "4800010"
10 PCS. SS BUTTON HEAD SCREWS 10X70
+ WALL PLUG



Distance from eadg of to bracket min. 100 mm
distance from floor to hole on bracket is 102 mm



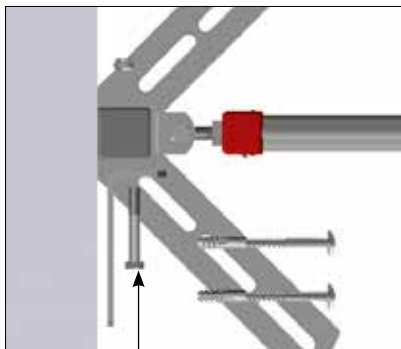
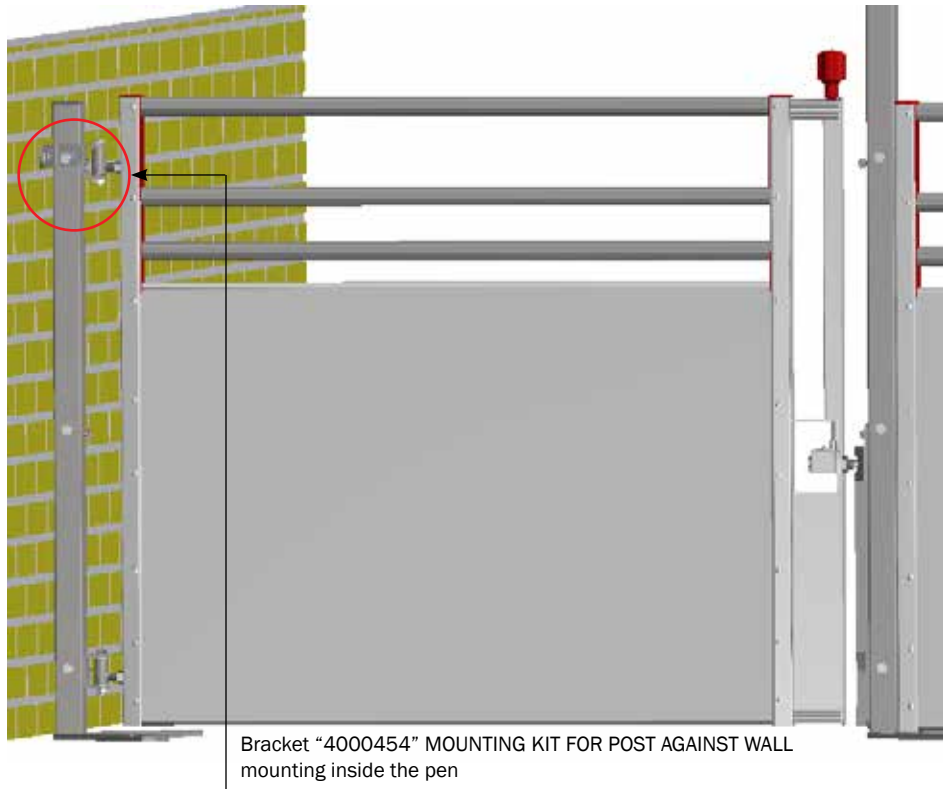
Bracket is mounted with bolt
from post.



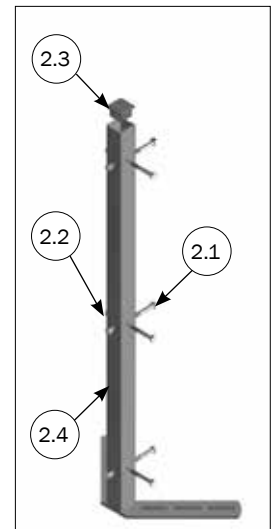
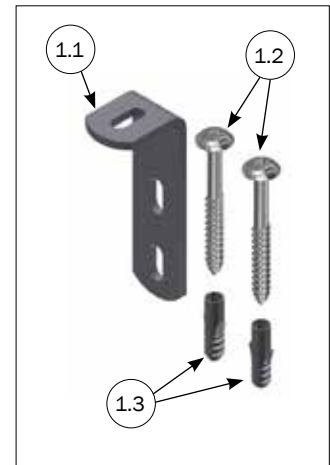
PARTS LIST

NO.	PCS.	ITEM NO.	DESCRIPTION
1	1	4000896	SÆT TIL LÅGE MED TWISTLÅS
1.1	2	29715HG	INN-O-FLEX HÆNGSELBESLAG
1.2	2	67549	12 X 80 MASKINBOLT A2
1.3	2	33912000	LÅSEMØTRIK M12 A2 VOKSBEH. DIN985
1.4	1	29728	INN-O-FLEX MODTAGERBESLAG
2	1	4800010	10 STK RF FRANSK M10x70 + DYBEL
2.1	(10) 2	67444	FRANSK SKRUE M10 X 70 TORX 50 RF
2.2	(10) 2	39900001	DYBEL 12X60 MM

MOUNTING OF POST AGAINST WALL



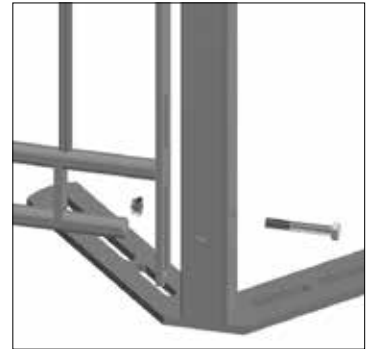
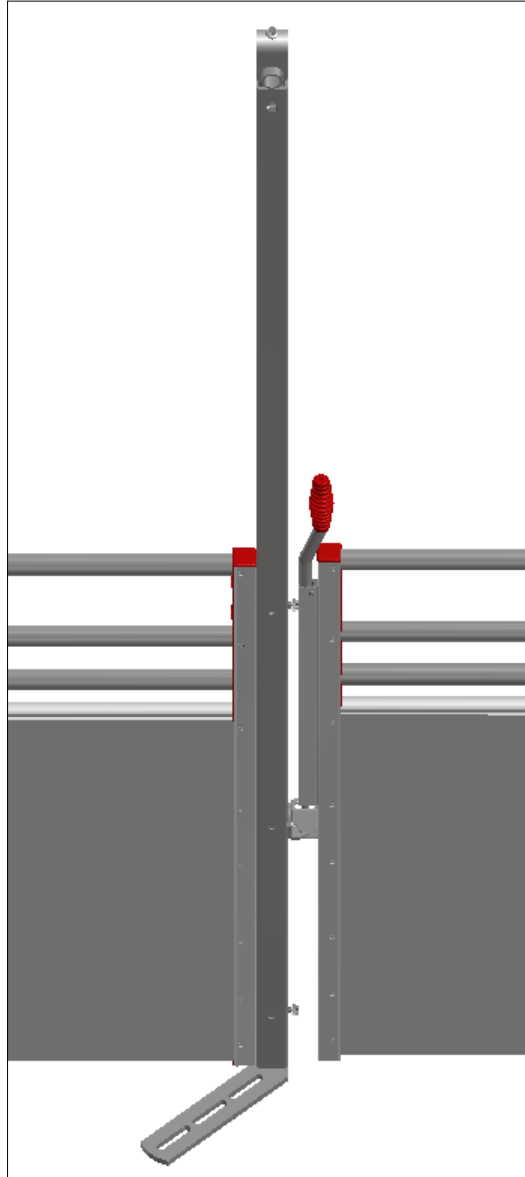
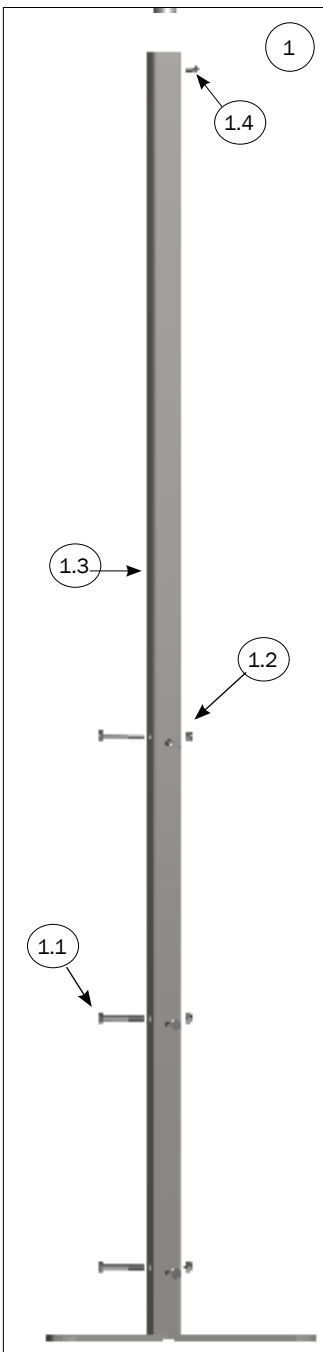
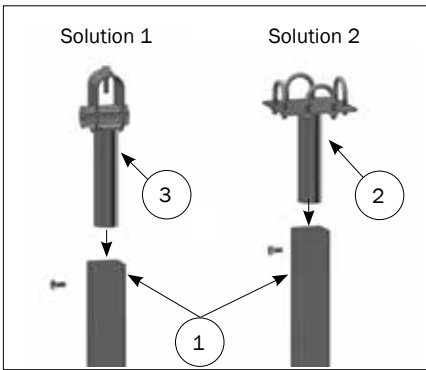
Bracket is mounted with bolt from post



PARTS LIST

NO.	PCS.	ITEM NO.	DESCRIPTION
1	1	4000454	MOUNTING KIT FOR POST AGAINST WALL
1.1	2	4020299	WALL FITTING FOR FRAME
1.2	2	67444	10 X 70 BUTTON HEAD TORX 50 STAINLESS STEEL
1.3	2	39900001	WALL PLUG 12X60 MM
2	1	4000642	LOW POST INCL. SCREWS AND NUTS
2.1	6	32510075	MACHINE SCREW M10X70 A2 QUAL.10.9 DIN 931
2.2	6	33900029	LOCK NUT M10 A2 DIN 985
2.3	1	9960005	CAP 50X50X5
2.4	1	4020642	LOW POST

MOUNTING OF HIGH POST

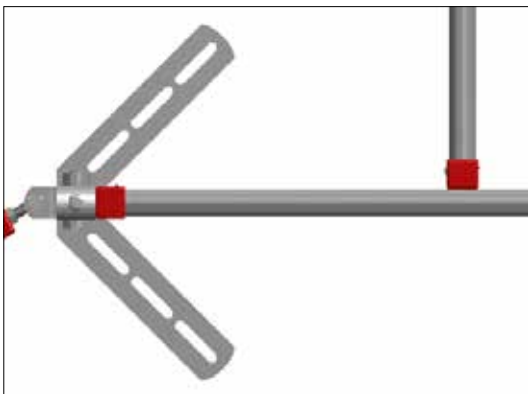
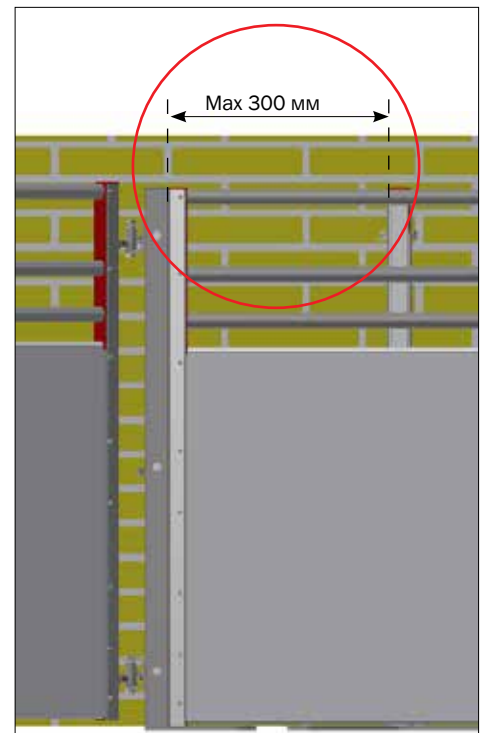
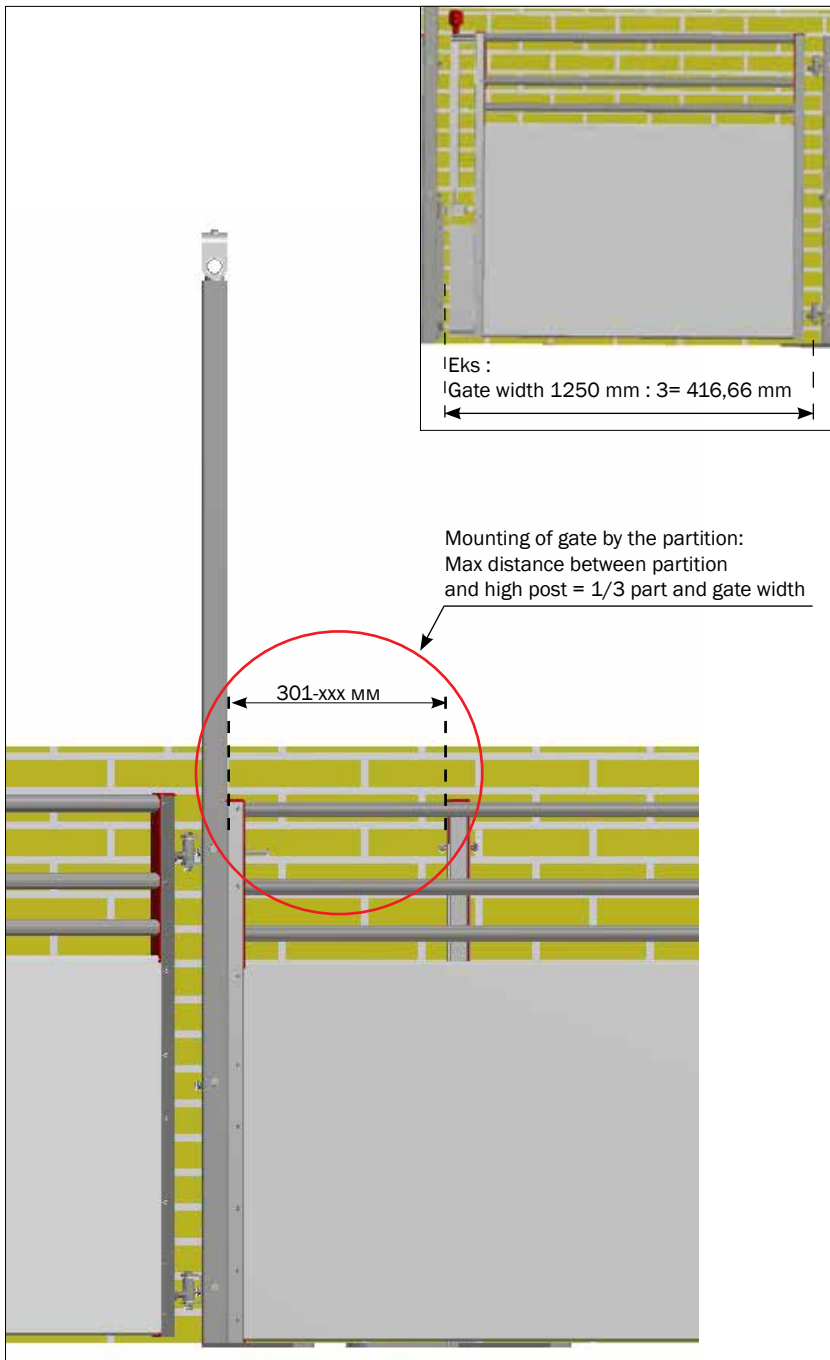


POS. 1.1 is not in use.
When mounting of post against
side "

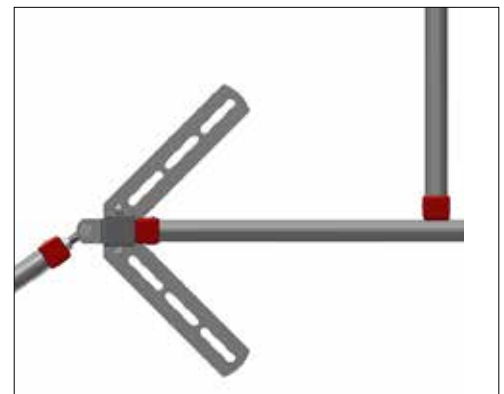
PARTS LIST

NO.	PCS.	ITEM NO.	DESCRIPTION
1	1	4000643	HIGH POST INCL. SCREWS AND NUTS
1.1	6	32510075	MACHINE SCREW M10X70 A2 QUAL.10.9 DIN 931
1.2	6	33900029	LOCK NUT M10 A2 DIN 985
1.3	1	4020643	HIGH POST
1.4	1	30308016	SET SCREW M8X16 A2 DIN 933
2	1	1900320	CROSS CONNECTION WITH 1" U-BOLT
3	1	1900080	CROSS CONNECTION 1"X1" WITH Ø38 MM PIPE, INCL BOLT

MOUNTING OF GATE ON HIGH/LOW POST

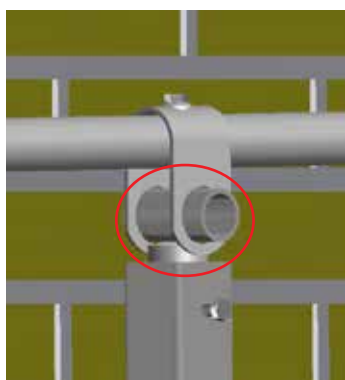
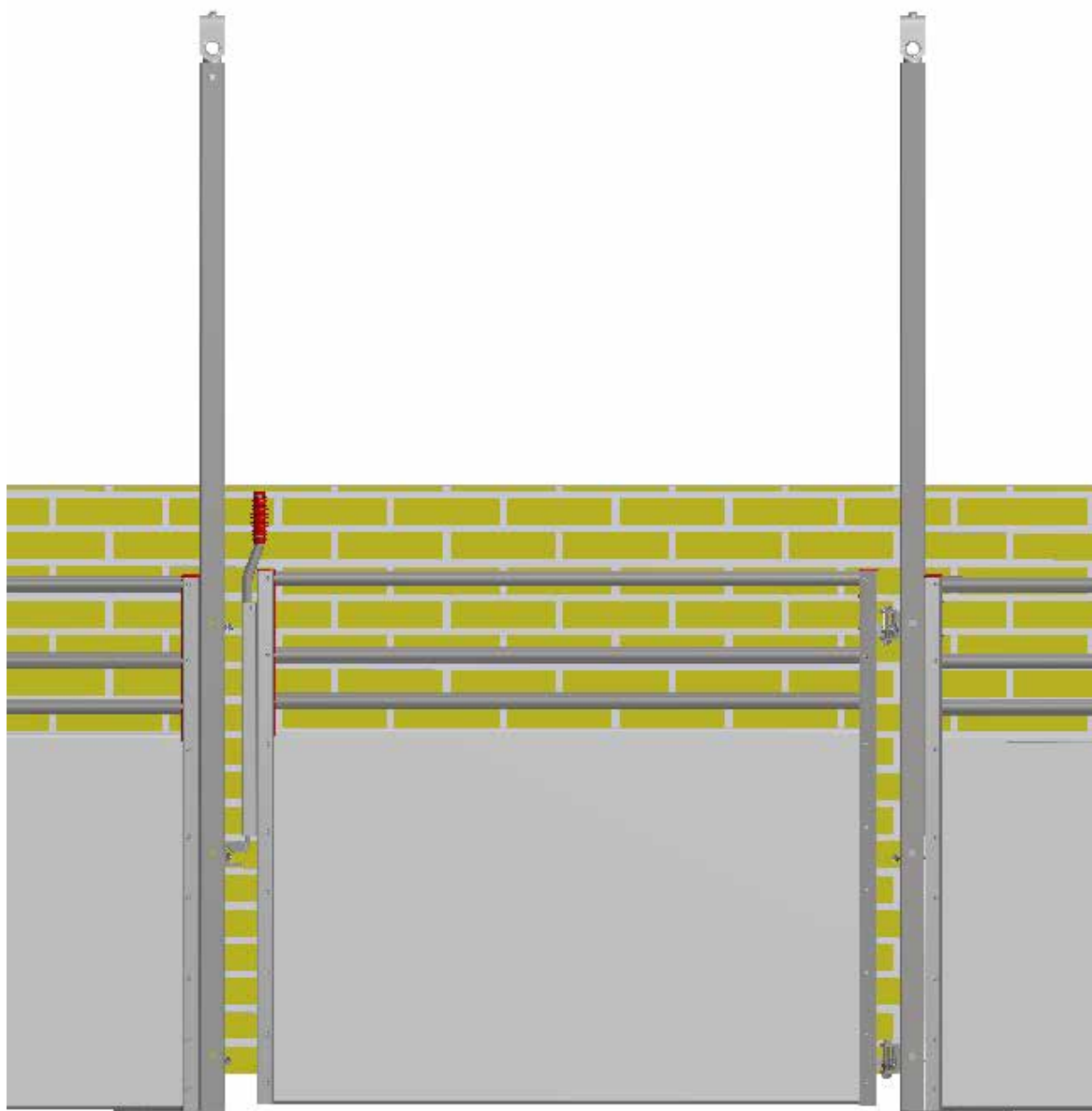


More than 300 mm from corner can **only high post** be used for mounting gate on post

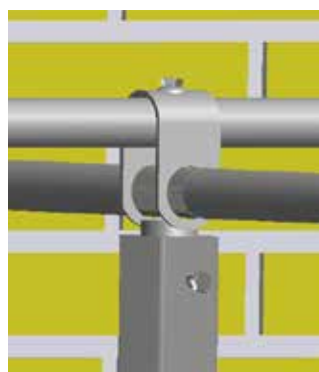


Below 300 mm from corner can low post be used for mounting gate on post.

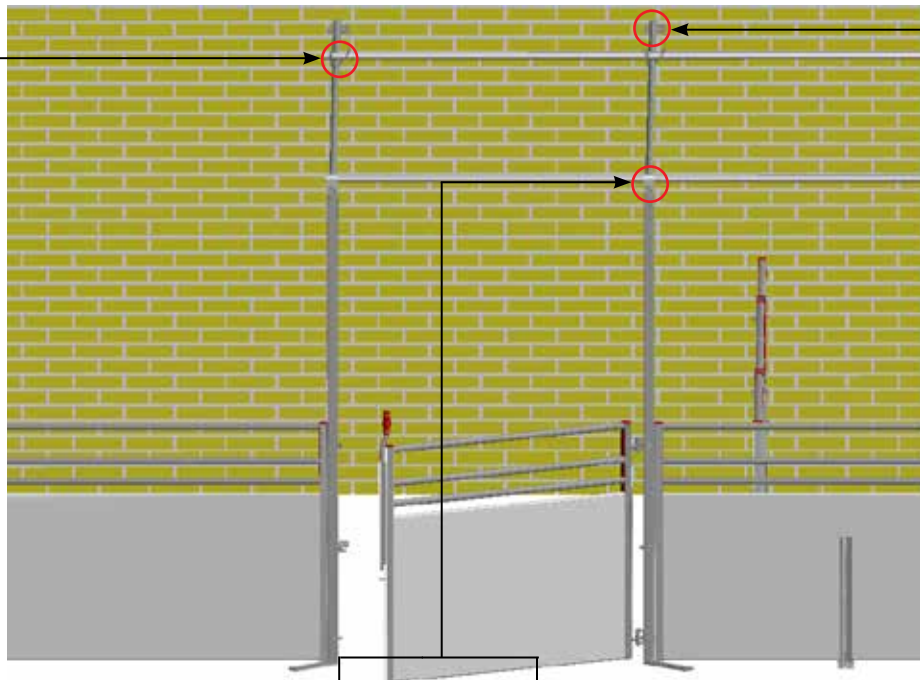
MOUNTING OF PIPES ON HIGH POST



PIPE 70 MM is only in use with mounting of **1** pipe.

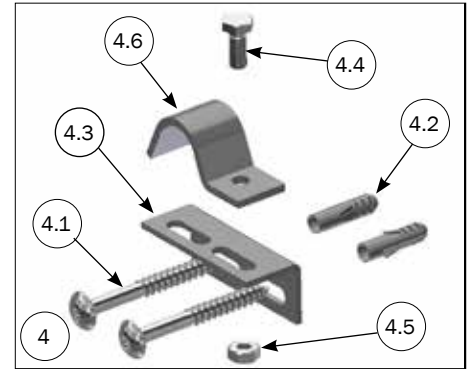
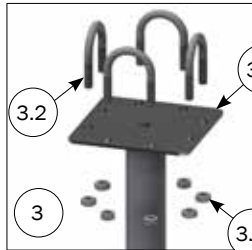
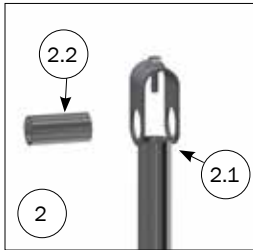
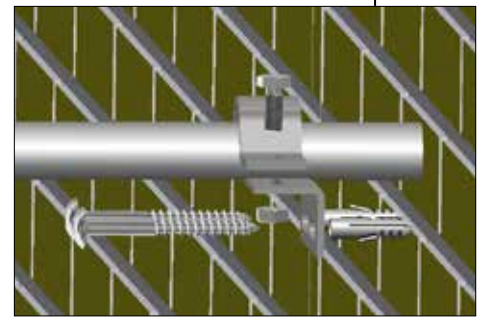
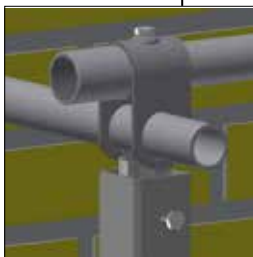


MOUNTING OF PIPE



Solution 1

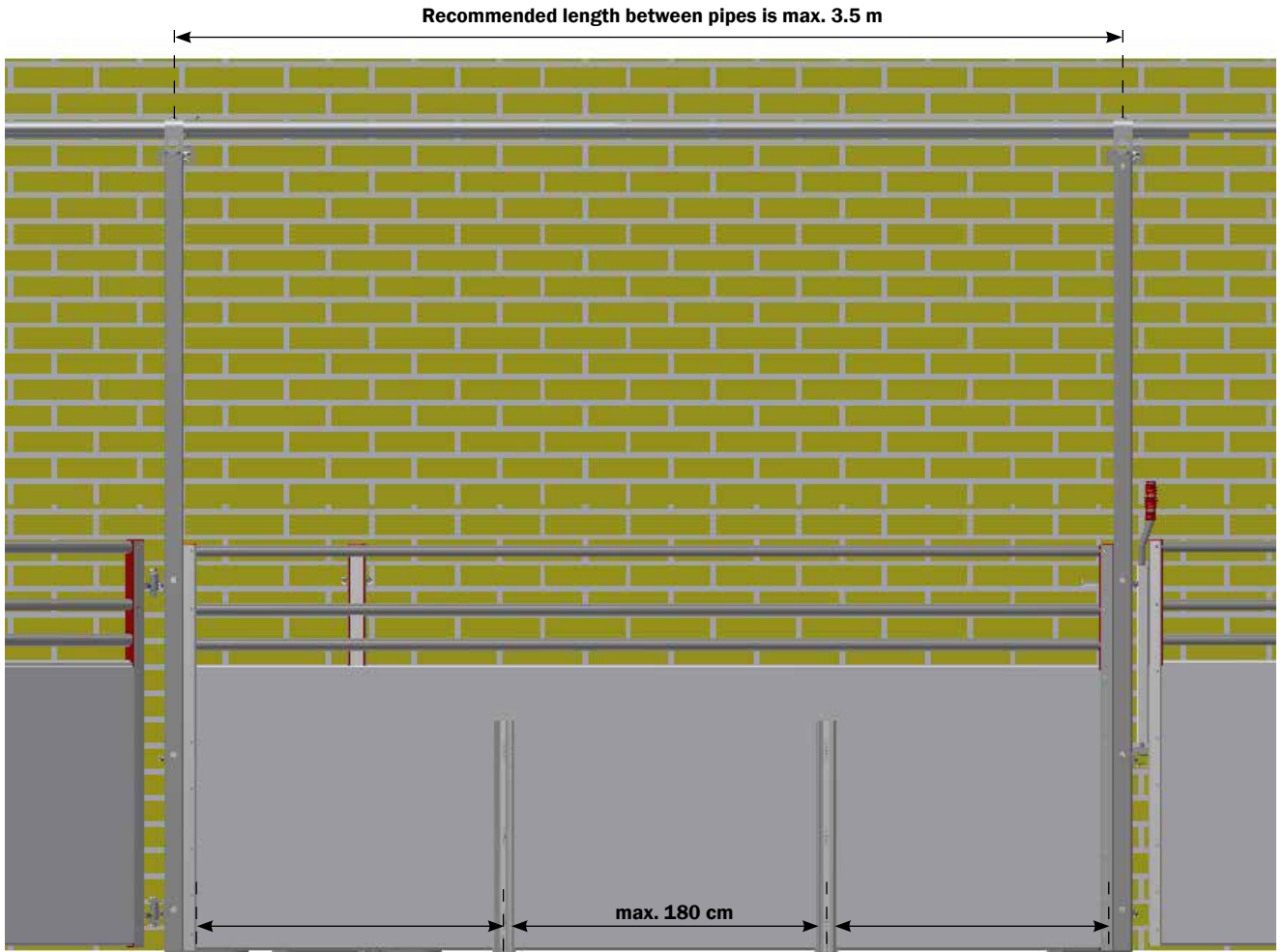
Solution 2



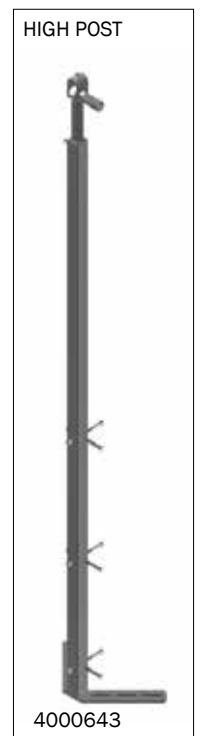
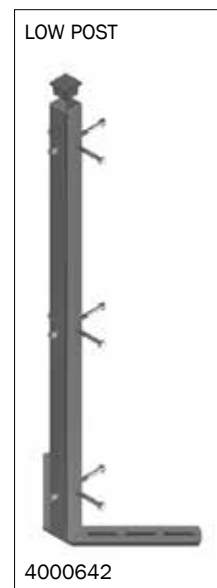
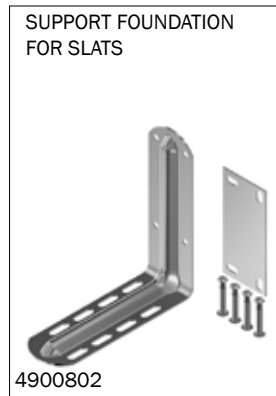
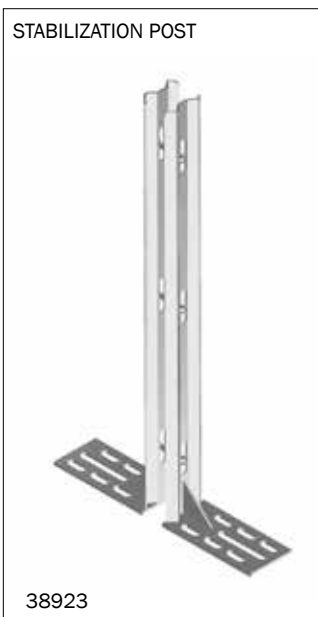
PARTS LIST

NO.	PCS.	ITEM NO.	DESCRIPTION
1	1	9930014	WINDING CLAMP 1"X1"
2	1	1900080	CROSS CONNECTION 1"X1" WITH Ø38 MM PIPE, INCL BOLT
2.1	1	1910080	DOG CLAMP WITH PIPE
2.2	1	8100240	1" GALVANIZED PIPE L=70 MM
3	1	1900320	CROSS CONNECTION WITH 1" U-BOLT
3.1	1	1920320	CROSS CONNECTION FOR 1" U-BOLT, SUPPORT
3.2	4	90100049	U-CLAMP 1" 8X50 MM GALVANIZED
3.3	8	33208014	NUT M8 HDG DIN 934
4	1	3900019	FITTING FOR WATERPIPE, COMPLETE
4.1	2	67444	10 X 70 BUTTON HEAD TORX 50 STAINLESS STEEL
4.2	2	39900001	WALL PLUG 12X60 MM
4.3	1	3920096	WALL FITTING FOR WATER PIPE
4.4	1	30310025	SET SCREW M10X25 A2 DIN 933
4.5	1	33510017	NUT M10 A2 DIN 934 WAXED
4.6	1	16375	PIPE RETAINER 1" WITHOUT BOLT

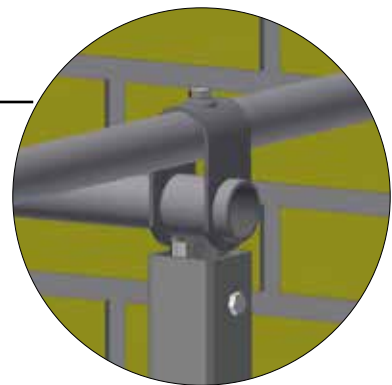
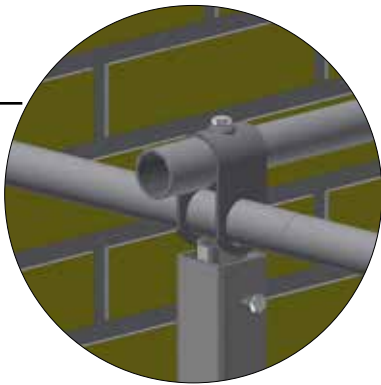
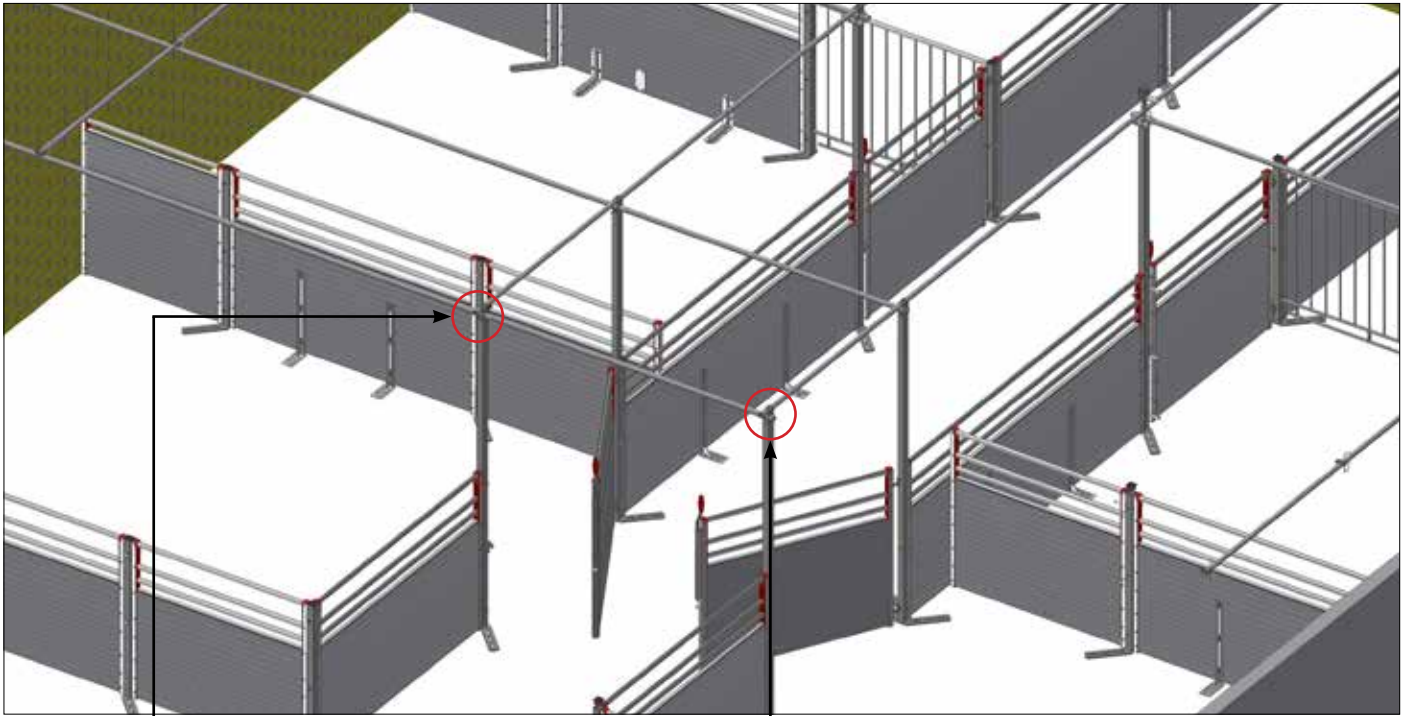
STABILIZATION



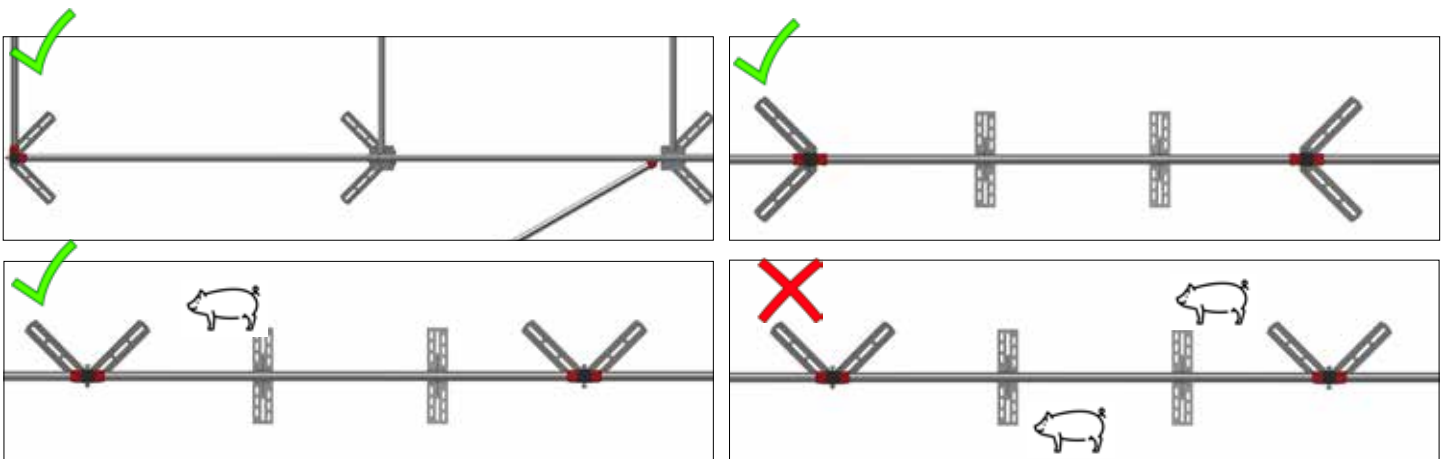
For stabilization of side must there for each 180 cm be mounted on post or base plate.



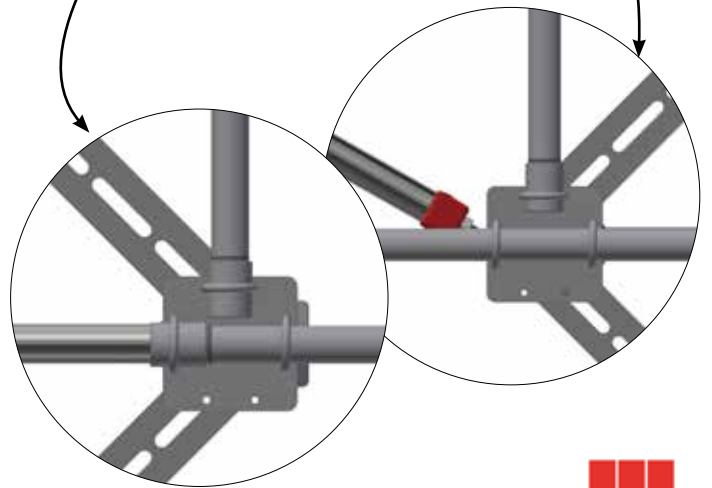
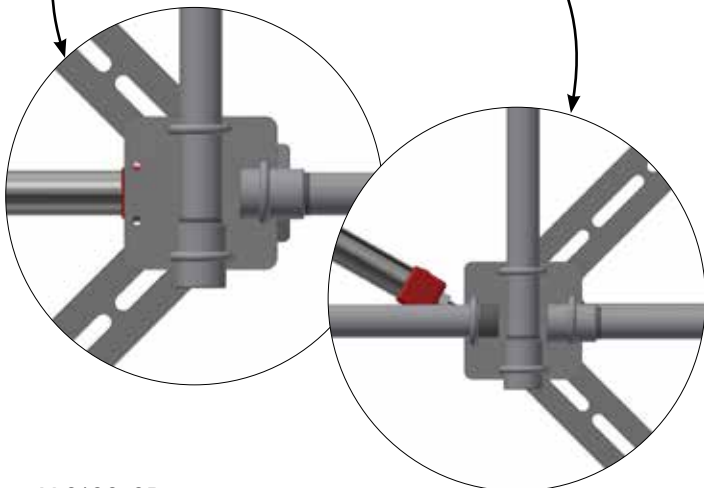
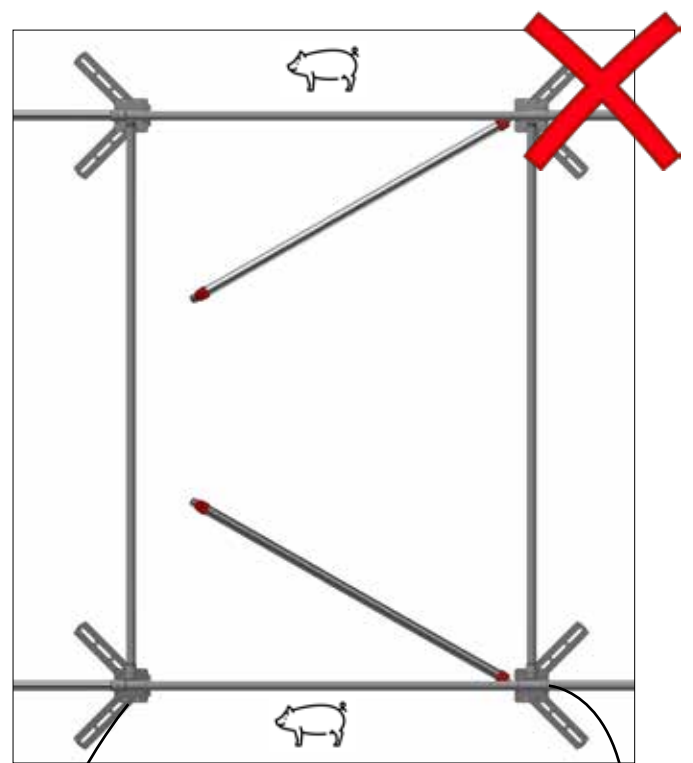
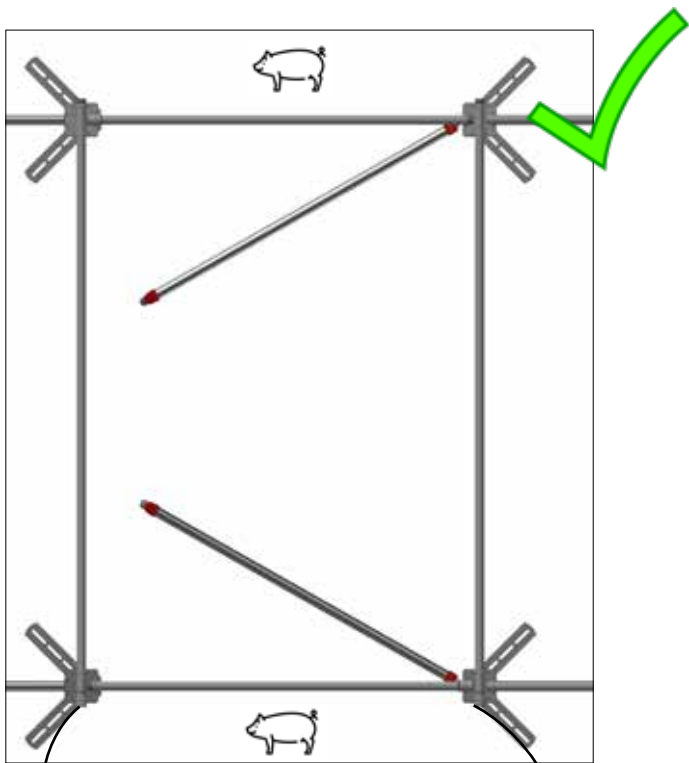
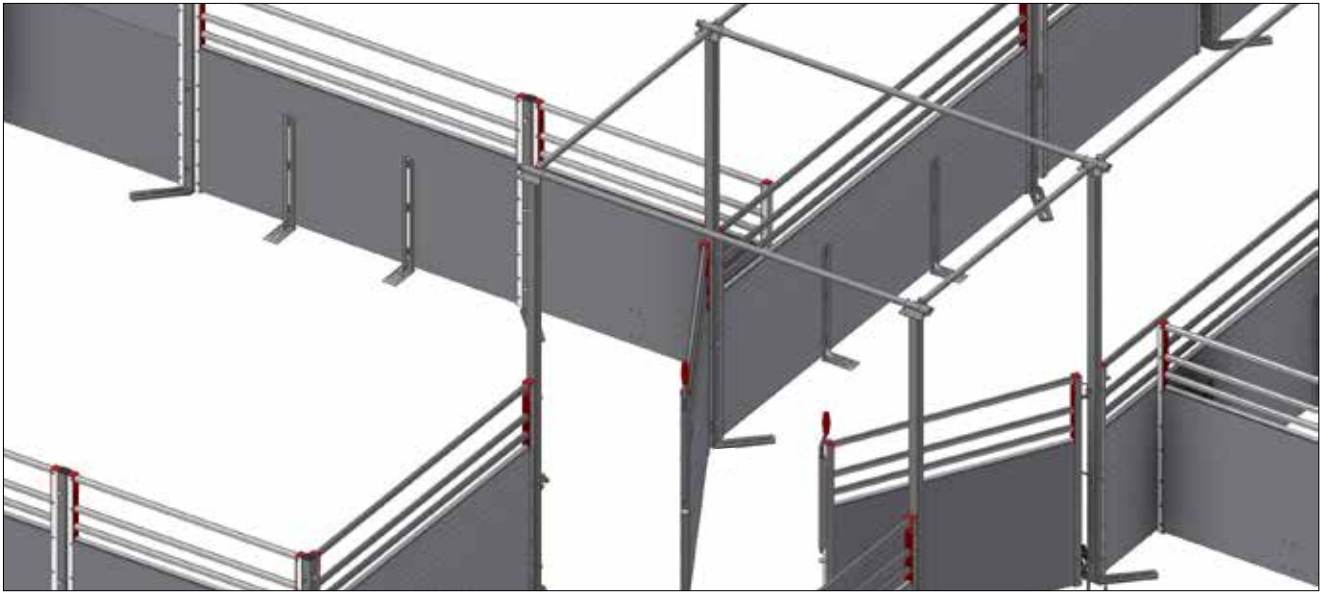
STABILIZATION OF POSTS WHERE THE PIPE REACHES THE WALL



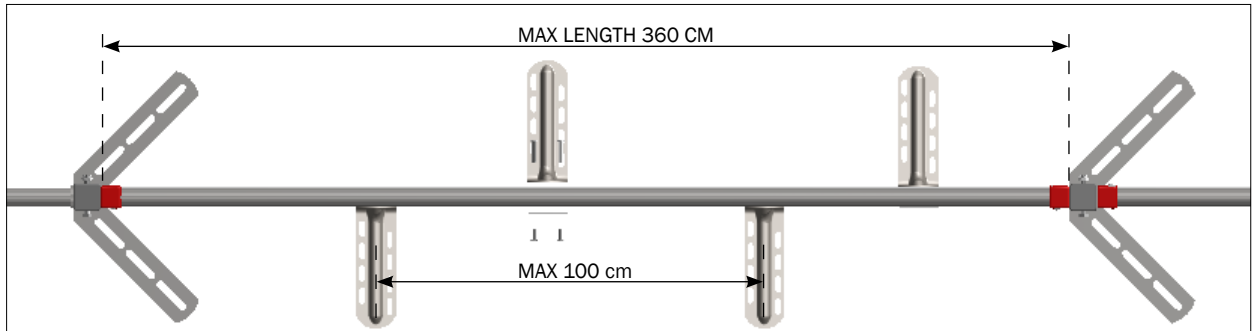
Direction of the post's footplate in relation to best stabilization



STABILIZING POSTS WHERE THE PIPE CANNOT REACH THE WALL



STABILIZATION IN RESTING AREA WITH LOW SUPPORT FOUNDATION



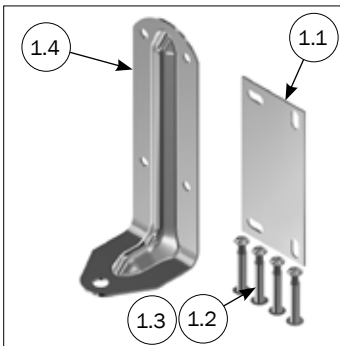
For stabilization in resting area must for each 100 cm be mounted: "4900802 or "4900806"



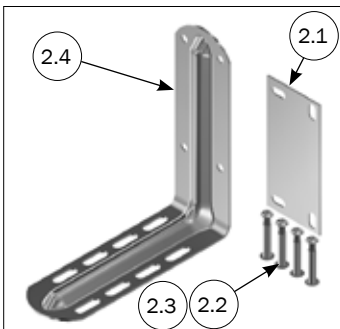
4900806
SUPPORT FOUNDATION FOR CONCRETE
CLEAN-O-FLEX



4900802
SUPPORT FOUNDATION FOR SLATS
CLEAN-O-FLEX

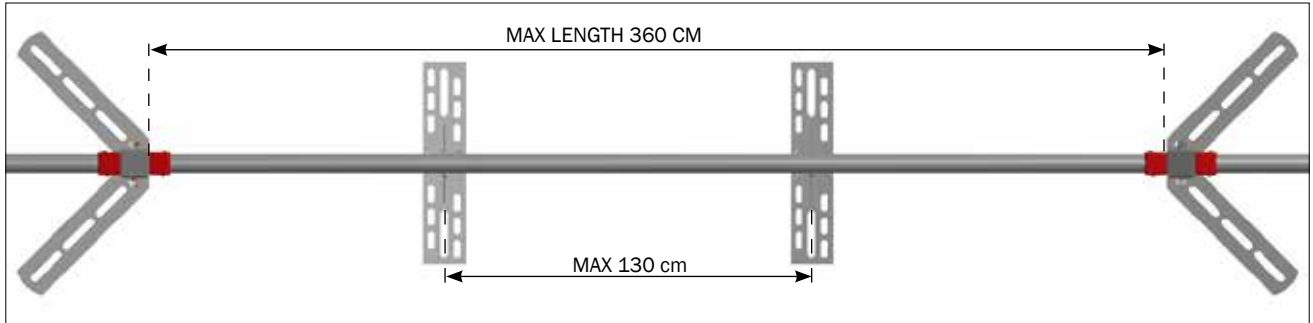


PARTS LIST			
NO.	PCS.	ITEM NO.	DESCRIPTION
1	1	4900806	SUPPORT FOUNDATION FOR CONCRETE CLEAN-O-FLEX
1.1	1	30903	ASSEMBLY BRACKET FLAT IRON, LARGE
1.2	4	39106020	CONNECTION SCREW M6X20 STAINLESS TORX 30
1.3	4	39206037	SPLICING SLEEVE M6X37 STAINLESS TORX 30
1.4	1	30806	SET SCREW M8X60 A2 DIN 933

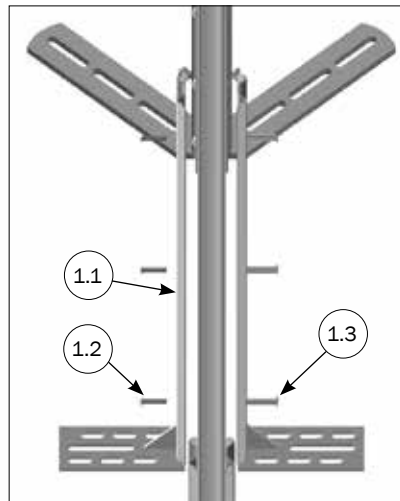


PARTS LIST			
NO.	PCS.	ITEM NO.	DESCRIPTION
2	1	4900802	SUPPORT FOUNDATION FOR SLATS CLEAN-O-FLEX
2.1	1	30903	ASSEMBLY BRACKET FLAT IRON, LARGE
2.2	4	39106020	CONNECTION SCREW M6X20 STAINLESS TORX 30
2.3	4	39206037	SPLICING SLEEVE M6X37 STAINLESS TORX 30
2.4	1	30802	SINGLE FOOTBRACKET FOR SLATS

STABILIZATION IN RESTING AREA WITH POST FOR BOARDPROFILE



For stabilization in resting area must there for each 130 cm be mounted: "38923"



38923
STABILIZATION POST BOARDPROFILE H75/
H100 EX. BOLT FOR FLOOR



PARTS LIST

NO.	PCS.	ITEM NO.	DESCRIPTION
1	1	38923	STABILIZATION POST BOARDPROFILE H75/H100 EX. BOLT FOR FLOOR
1.1	2	38910	STABILIZATIONS POST H75 CLEAN-O-FLEX 63 CM
1.2	3	39106020	CONNECTION SCREW M6X20 STAINLESS TORX 30
1.3	3	39206037	SPLICING SLEEVE M6X37 STAINLESS TORX 30

