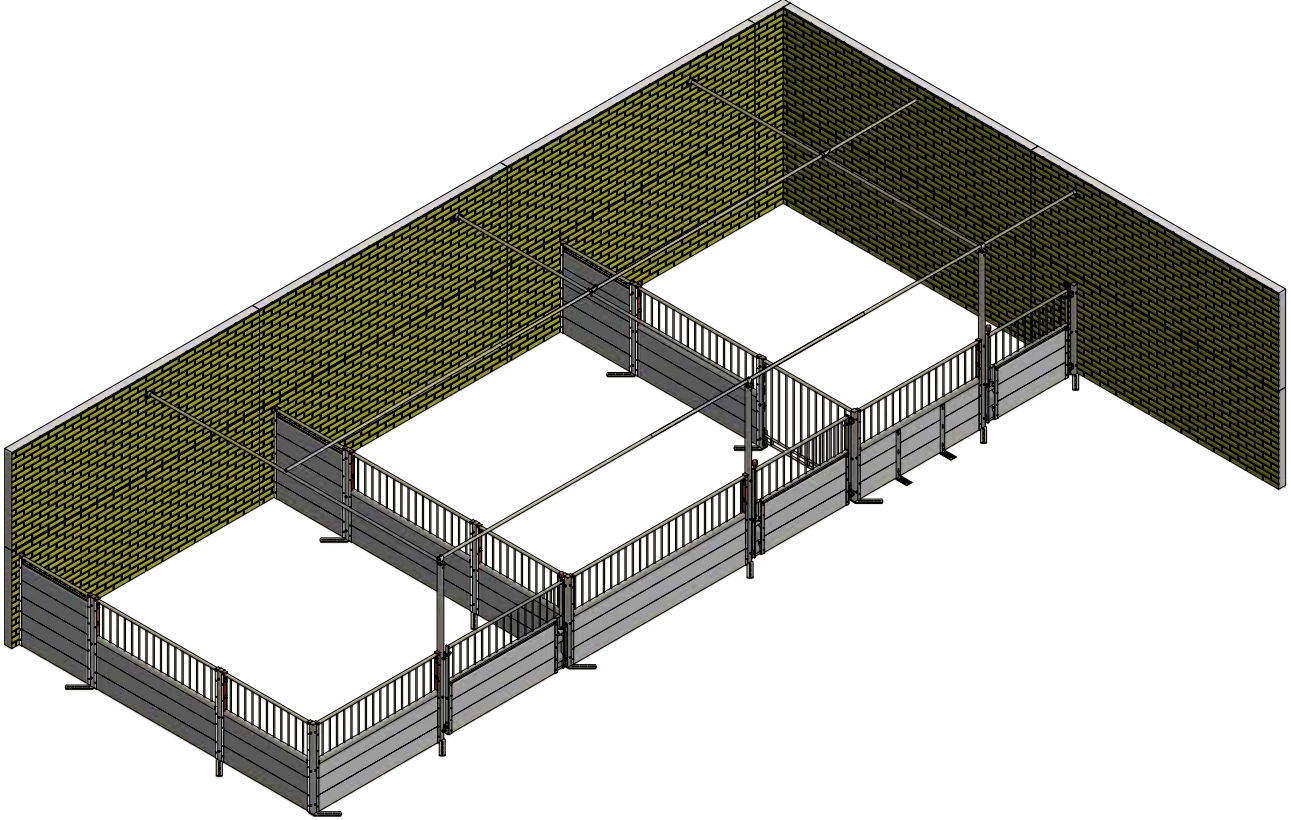


M-6197\_GB

# MOUNTING INSTRUCTION



**INN-O-FLEX**  
**40 MM**

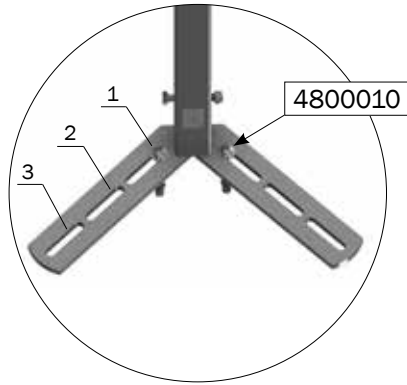


**ACO FUNKI A/S**  
Kirkevænget 5  
DK-7400 Herning

Tel. +45 9711 9600  
Fax +45 9711 9677  
[www.acofunki.com](http://www.acofunki.com)

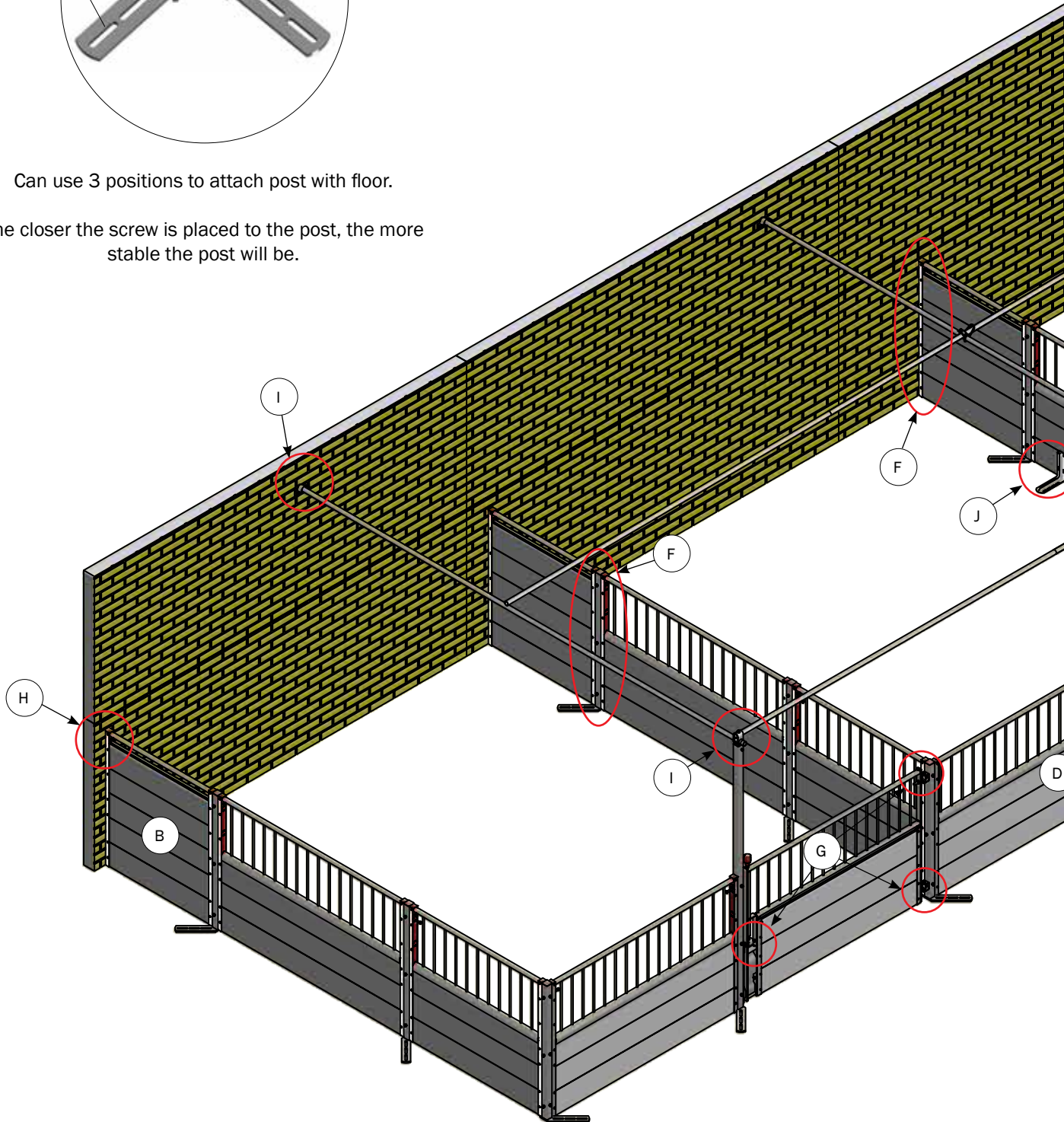
**DANISH DESIGN | GERMAN QUALITY | GLOBAL EXPERIENCE**

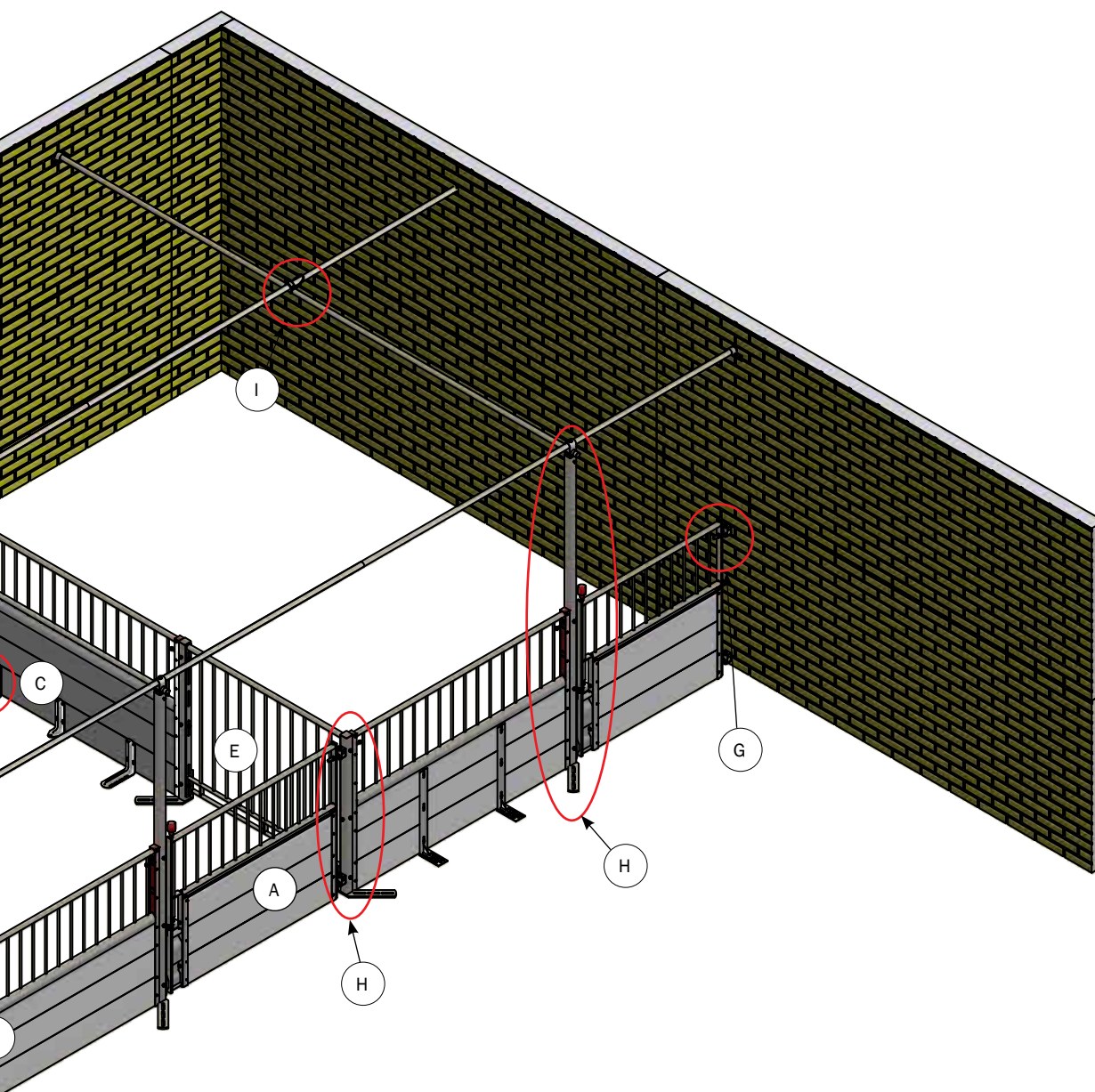
## PRODUCT AND MOUNTING OVERVIEW FOR INN-O-FLEX 40 MM



Can use 3 positions to attach post with floor.

The closer the screw is placed to the post, the more stable the post will be.

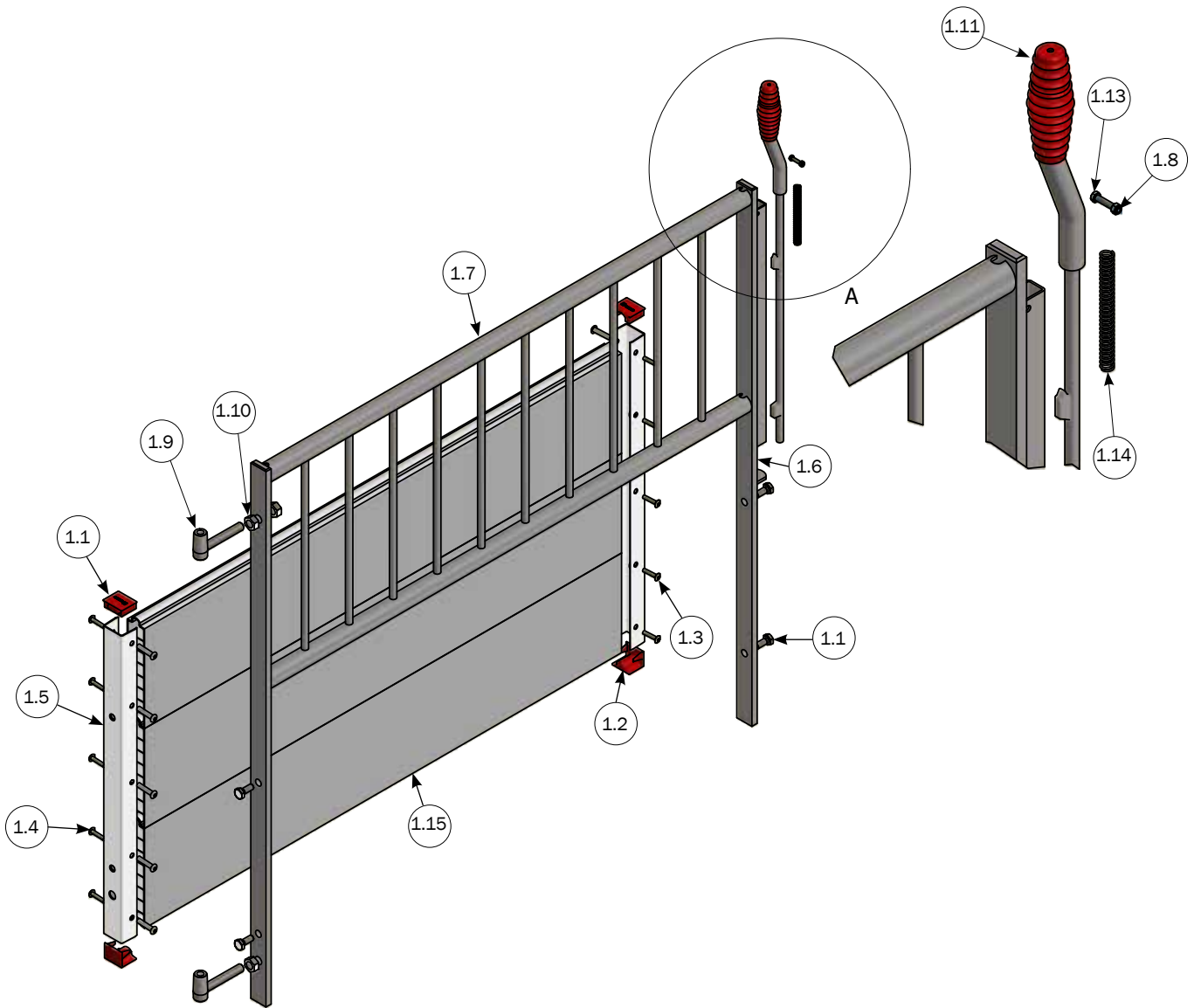




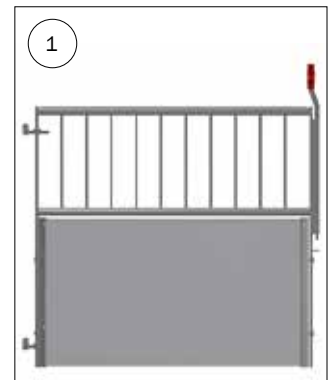
NO.	PAGE	DESCRIPTION
A	4-9	PARTS LIST FOR GATE
B	10-11	PARTS LIST FOR UNASSAMBLED SIDE
C	12-13	PARTS LIST FOR UNASSAMBLED SIDE WITH SINGLE BOLT
D	14-15	PARTS LIST FOR UNASSAMBLED SIDE WITH DOUBLE BOLT
B	16	OVERVIEW FOR SIDE
C	17	OVERVIEW FOR SIDE WITH SINGLE BOLT
D	18	OVERVIEW FOR SIDE WITH DOUBLE BOLT
E	19	OVERVIEW FOR GRILLE
F	20-21	MOUNTING OF ASSEMBLY FOR CORNER/EXTENSION/END POST
G	20-25	MOUNTING OF GATE
H	26-29	MOUNTING OF LOW/HIGH POST
I	30-34	MOUNTING OF STABILIZATION PIPES
J	35-36	MOUNTING OF STABILIZATION IN RESTING AREA

# GATE FOR INN-O-FLEX 40 MM H110 WITH PIN LOCK

A ( 0.40 : 1 )

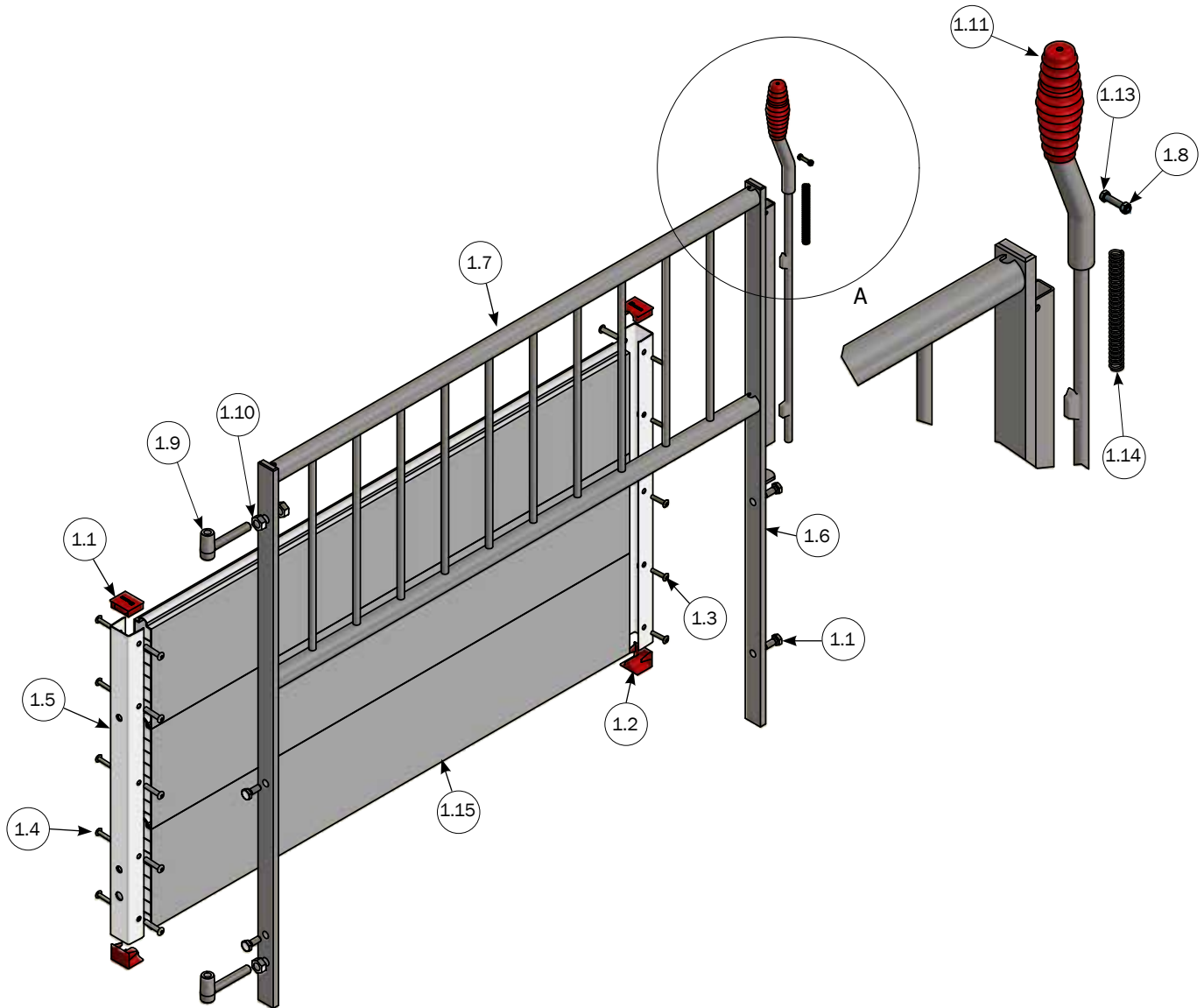


NO.	ITEM NO.	DESCRIPTION
	4010917	GATE H110 GRILLE/BOARDPROFILE 1750 MM WITH PIN LOCK, INN-O-FLEX 40
	4010916	GATE H110 GRILLE/BOARDPROFILE 1450 MM WITH PIN LOCK, INN-O-FLEX 40
1	4010915	GATE H110 GRILLE/BOARDPROFILE 1250 MM WITH PIN LOCK, INN-O-FLEX 40
1.1	8500232	LOW TOP INSERT 40 MM
1.2	8500231	BOTTOM INSERT 40 MM
1.3	39206037	SPLICING SLEEVE M6X37 STAINLESS TORX 30
1.4	39106030	CONNECTION SCREW M6X30 STAINLESS TORX 30
1.5	4050048	UPROFILE H616 WITH 3 NUT
1.6	4050049	UPROFILE H616 WITH 2 NUT
1.7	4020915	TOP GRILLE 1250 MM FOR GATE PIN LOCK
1.8	30310025	SET SCREW M10X25 A2 DIN 933
1.9	4550427	INN-O-FLEX STUD BOLT COMPLET
1.10	68598	NUT M14 SS
1.11	4105183	PIN LOCK FOR GATE INCL. GRIP
1.12	30205025	SET SCREW M5X25 FZB DIN 933
1.13	33905008	LOCK NUT M5 ST DIN 980
1.14	9929004	COMPRESSION SPRING 1,6X12X115 MM
1.15	8460531	BOARDPROFILE 40 MM L1104 MM

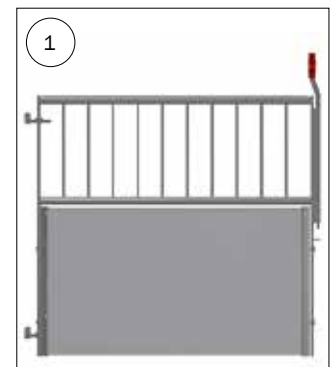


# GATE FOR INN-O-FLEX 40 MM H110 1250-1750 MM WITH PIN LOCK

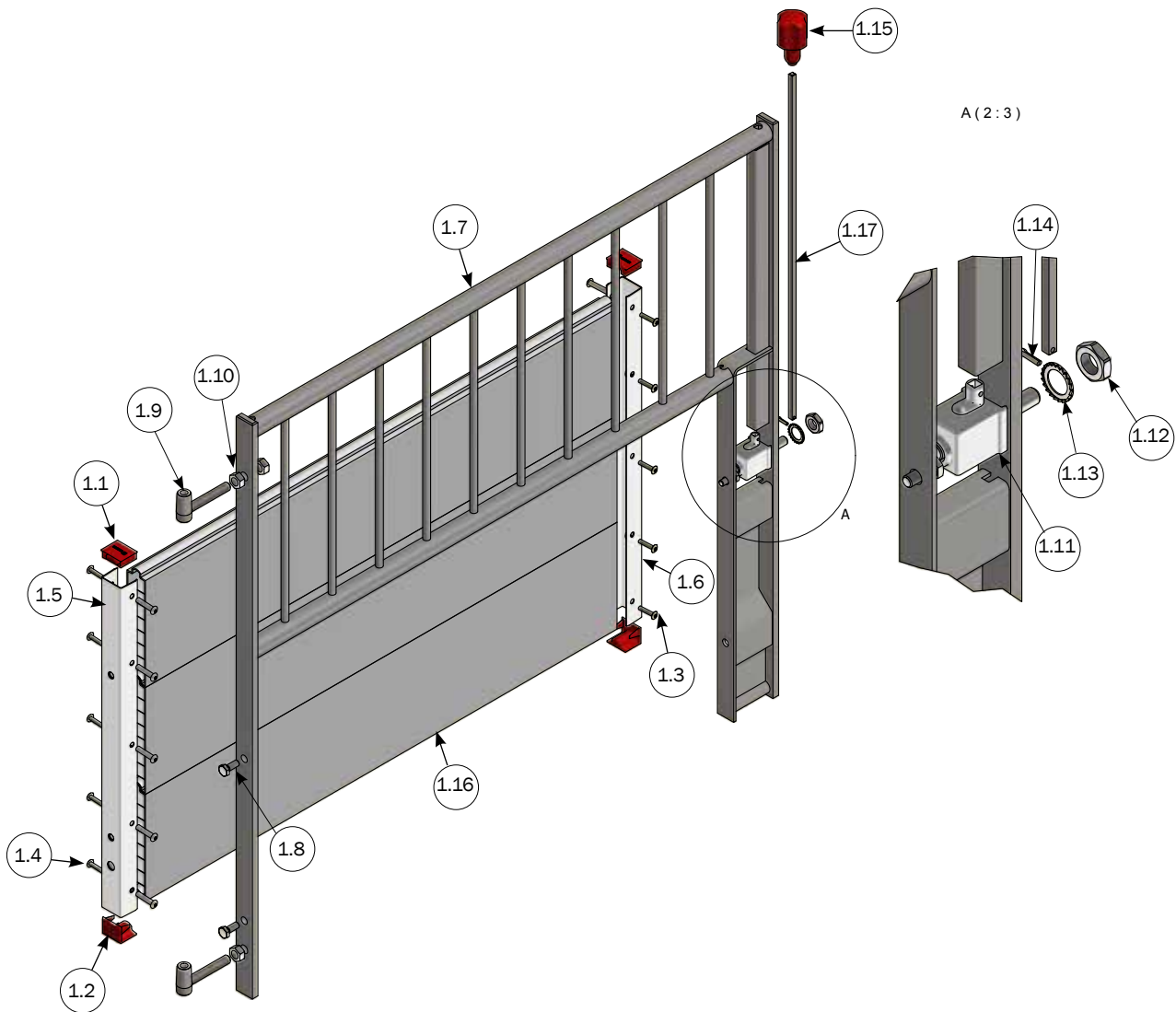
A ( 0.40 : 1 )



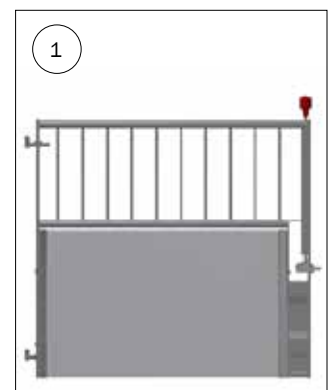
NO.	ITEM NO.	DESCRIPTION
1	4010918	GATE H110 GRILLE/BOARDPROFILE 1250-1750 MM WITH PIN LOCK, INN-O-FLEX 40
1.1	8500232	LOW TOP INSERT 40 MM
1.2	8500231	BOTTOM INSERT 40 MM
1.3	39206037	SPLICING SLEEVE M6X37 STAINLESS TORX 30
1.4	39106030	CONNECTION SCREW M6X30 STAINLESS TORX 30
1.5	4050048	UPROFILE H616 WITH 3 NUT
1.6	4050049	UPROFILE H616 WITH 2 NUT
1.7	4020915	TOP GRILLE 1250 MM FOR GATE PIN LOCK
1.8	30310025	SET SCREW M10X25 A2 DIN 933
1.9	4550427	INN-O-FLEX STUD BOLT COMPLET
1.10	68598	NUT M14 SS
1.11	4105183	PIN LOCK FOR GATE INCL. GRIP
1.12	30205025	SET SCREW M5X25 FZB DIN 933
1.13	33905008	LOCK NUT M5 ST DIN 980
1.14	9929004	COMPRESSION SPRING 1,6X12X115 MM
1.15	8460534	BOARDPROFILE 40 MM L1500 MM



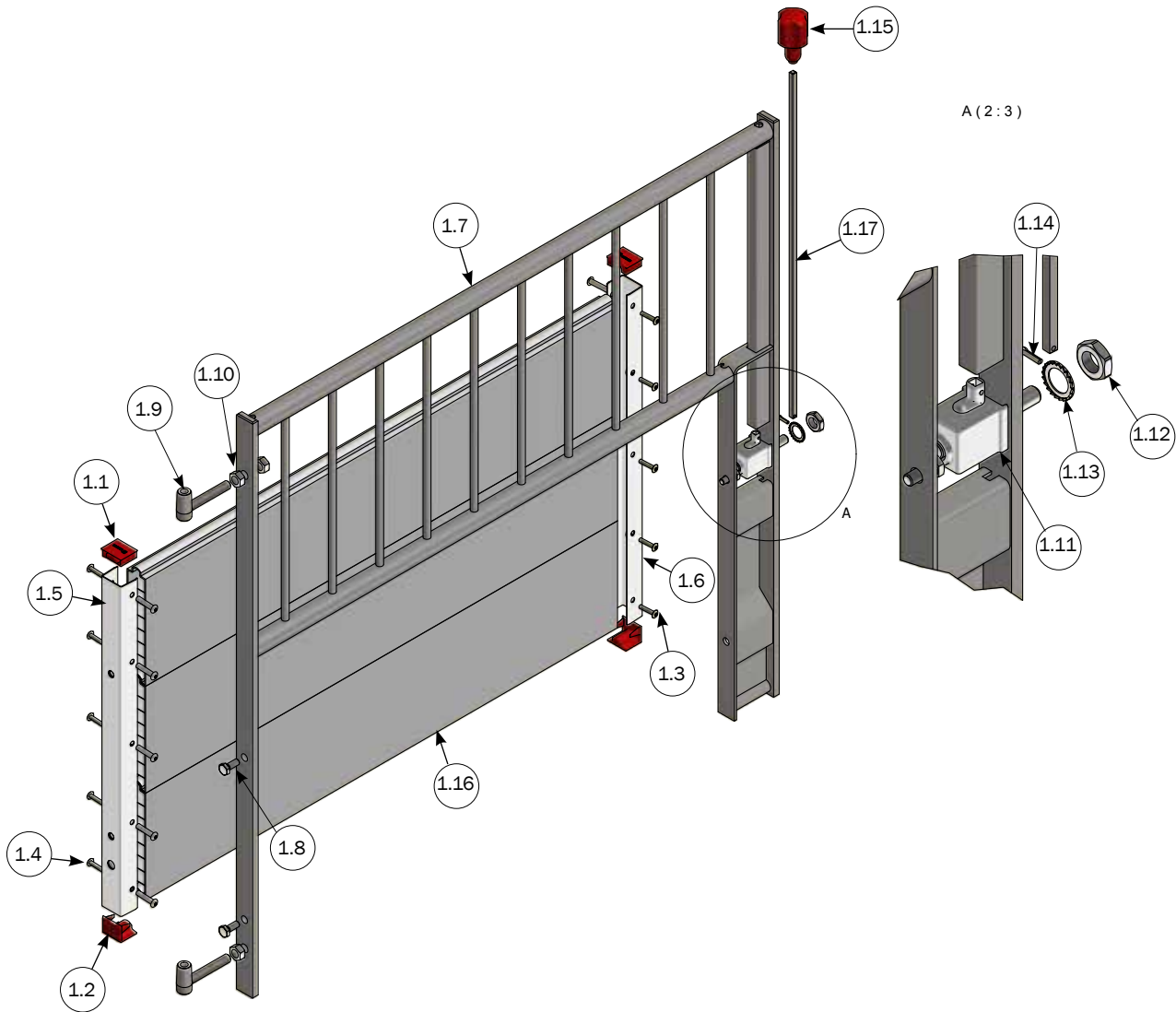
## GATE FOR INN-O-FLEX 40 MM H110 WITH TWIST



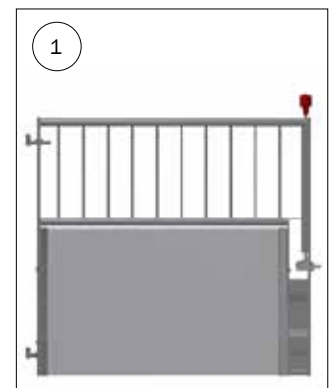
NO.	ITEM NO.	DESCRIPTION
	4010907	GATE H110 GRILLE/BOARDPROFILE 1450 MM WITH TWIST, INN-O-FLEX40
	4010906	GATE H110 GRILLE/BOARDPROFILE 1450 MM WITH TWIST, INN-O-FLEX40
1	4010905	GATE H110 GRILLE/BOARDPROFILE 1250 MM WITH TWIST, INN-O-FLEX40
1.1	8500232	LOW TOP INSERT 40 MM
1.2	8500231	BOTTOM INSERT 40 MM
1.3	39206037	SPLICING SLEEVE M6X37 STAINLESS TORX 30
1.4	39106030	CONNECTION SCREW M6X30 STAINLESS TORX 30
1.5	4050048	UPROFILE H616 WITH 3 NUT
1.6	4050049	UPROFILE H616 WITH 2 NUT
1.7	4020905	TOP GRILL 1250 MM FOR GATE TWIST
1.8	30310025	SET SCREW M10X25 A2 DIN 933
1.9	4550427	INN-O-FLEX STUD BOLT COMPLET
1.10	68598	NUT M14 SS
1.11	17120	CASE TURN LOCK
1.12	68593	LOCK NUT A2 20 X 1,5
1.13	68763	LOCK WASHER 20 MM DIN6798A
1.14	68895	4 X 20 RIVET
1.15	30020	KNOB TURN ROD CLEAN-O-FLEX®/INN-O-FLEX
1.16	8460541	BOARDPROFILE 40 MM L1019 MM
1.17	8050114	TURN ROD 645 MM



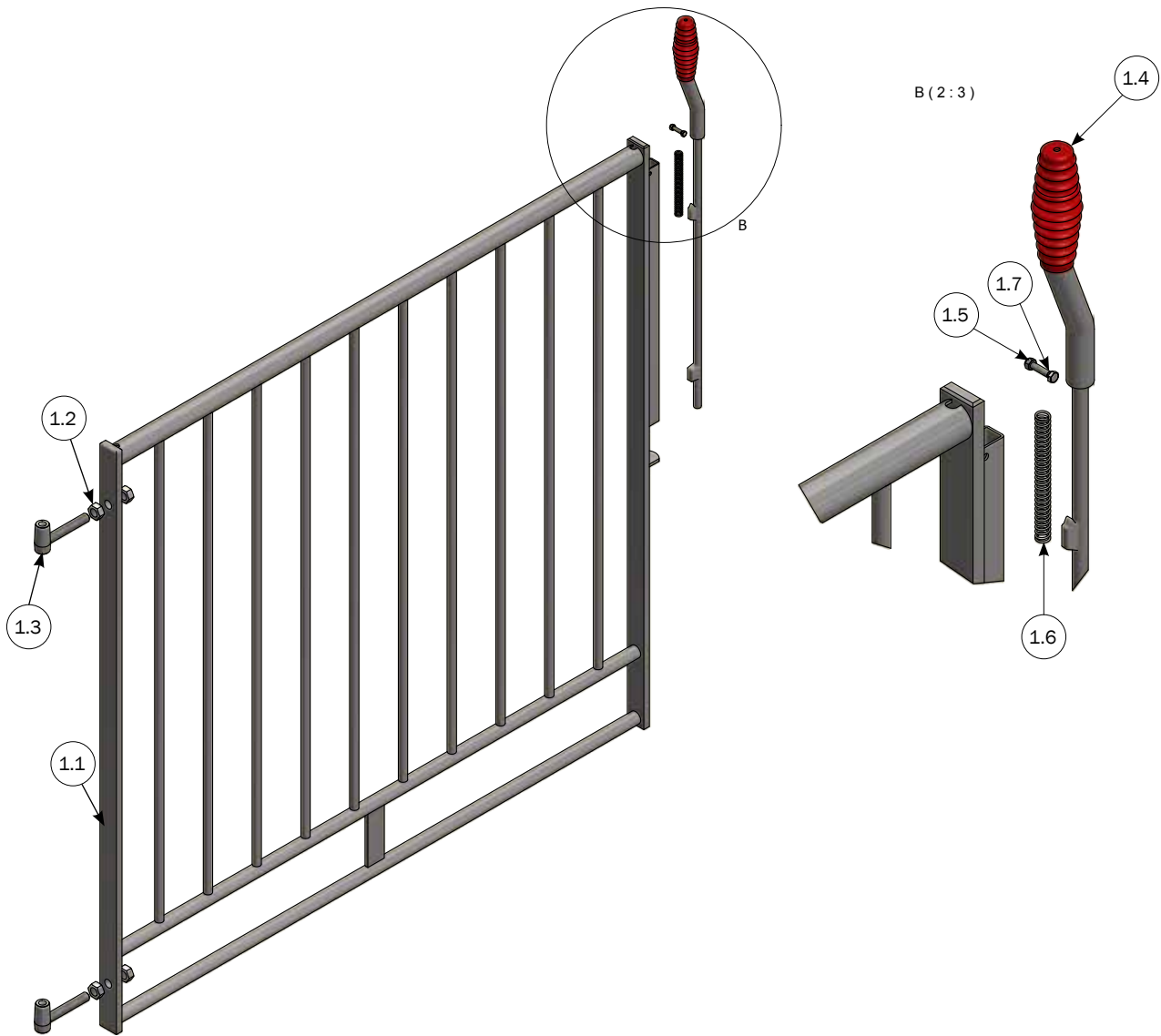
## GATE FOR INN-O-FLEX 40 MM H110 1250-1750 MM WITH TWIST



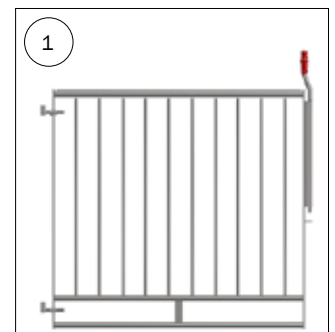
NO.	ITEM NO.	DESCRIPTION
1	4010908	GATE H110 GRILLE/BOARDPROFILE 1250-1750 MM WITH TWIST, INN-O-FLEX 40
1.1	8500232	LOW TOP INSERT 40 MM
1.2	8500231	BOTTOM INSERT 40 MM
1.3	39206037	SPLICING SLEEVE M6X37 STAINLESS TORX 30
1.4	39106030	CONNECTION SCREW M6X30 STAINLESS TORX 30
1.5	4050048	UPROFILE H616 WITH 3 NUT
1.6	4050049	UPROFILE H616 WITH 2 NUT
1.7	4020908	TOP GRILEL 1250-1750 MM FOR GATE TWIST
1.8	30310025	SET SCREW M10X25 A2 DIN 933
1.9	4550427	INN-O-FLEX STUD BOLT COMPLET
1.10	68598	NUT M14 SS
1.11	17120	CASE TURN LOCK
1.12	68593	LOCK NUT A2 20 X 1,5
1.13	68763	LOCK WASHER 20 MM DIN6798A
1.14	68895	4 X 20 RIVET
1.15	30020	KNOB TURN ROD CLEAN-O-FLEX®/INN-O-FLEX
1.16	8460541	BOARDPROFILE 40 MM L1019 MM
1.17	8050114	TURN ROD 645 MM



# GRILLE GATE FOR INN-O-FLEX 40 MM H110 1250 MM WITH PIN LOCK

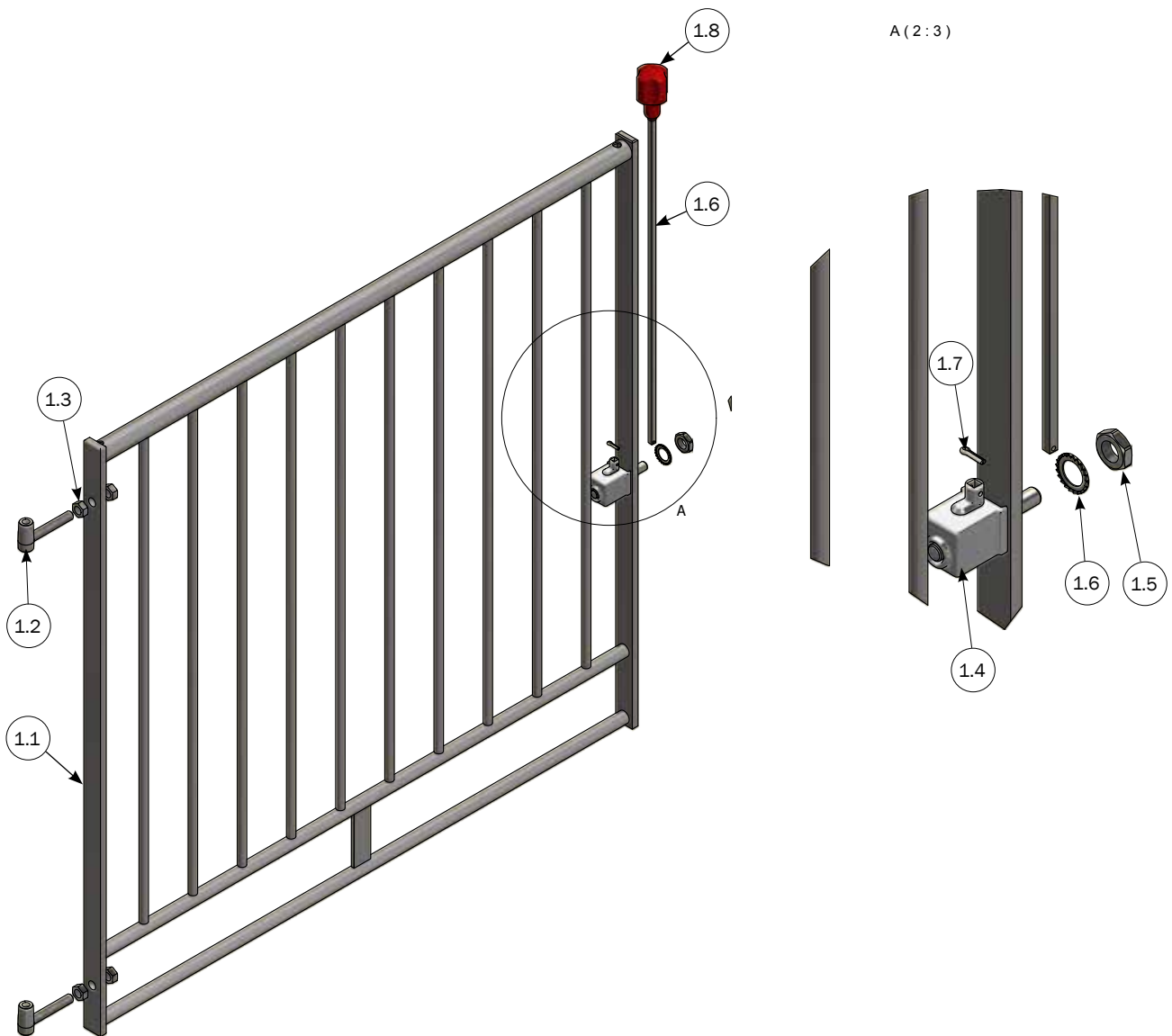


NO.	ITEM NO.	DESCRIPTION
	4010638	GATE H110 GRILLE L1250-1750 MM WITH PIN LOCK, INN-O-FLEX
	4010637	GATE H110 GRILLE L1750 MM WITH PIN LOCK, INN-O-FLEX
	4010636	GATE H110 GRILLE L1450 MM WITH PIN LOCK, INN-O-FLEX
1	4010635	GATE H110 GRILLE L1250 MM WITH PIN LOCK, INN-O-FLEX
1.1	4020635	GRILLE GATE 1250 MM FOR PIN LOCK
1.2	4550427	INN-O-FLEX STUD BOLT COMPLET
1.3	68598	NUT M14 SS
1.4	4105183	PIN LOCK FOR GATE INCL. GRIP
1.5	33905000	LOCK NUT M5 A2 DIN 985
1.6	9929004	COMPRESSION SPRING 1,6X12X115 MM
1.7	30305025	SET SCREW M5X25 A2 DIN 933

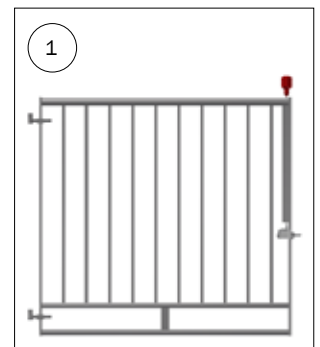




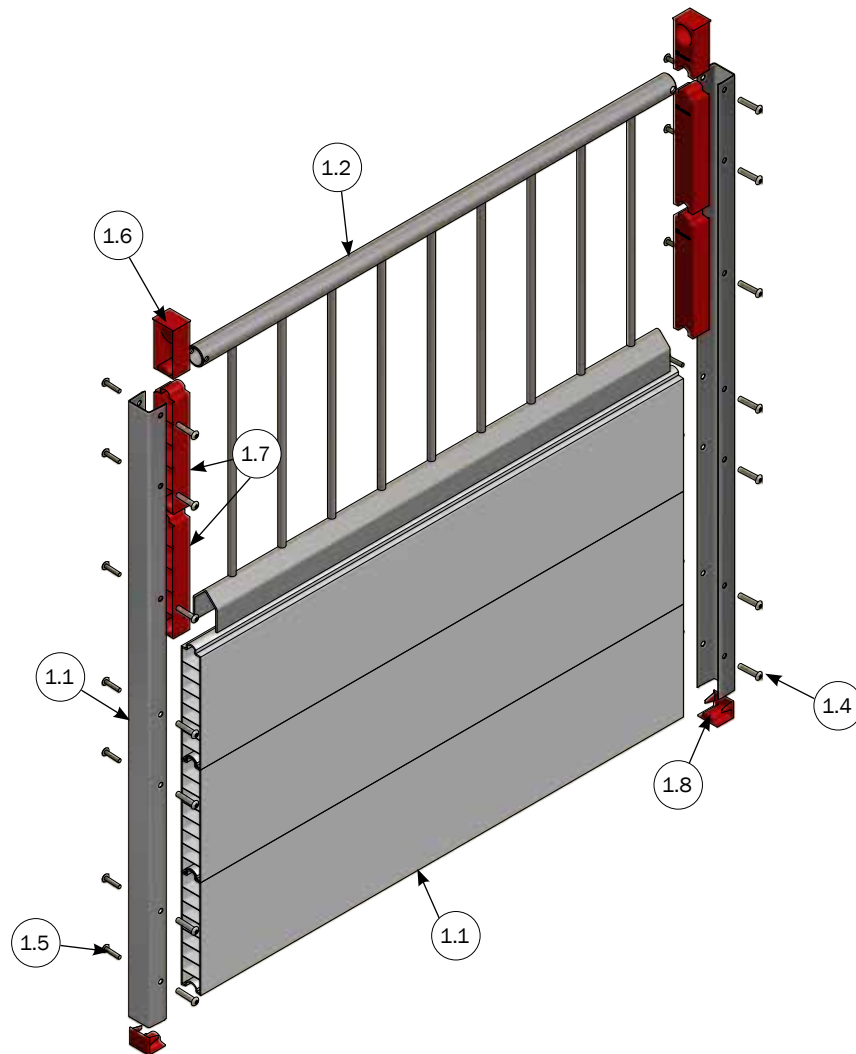
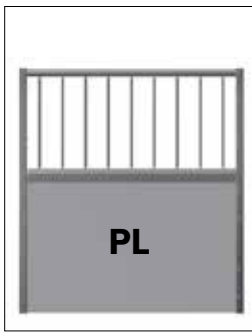
# GRILLE GATE FOR INN-O-FLEX 40 MM H110 1250-1750 MM WITH TWIST



NO.	ITEM NO.	DESCRIPTION
	4010648	GATE H110 GRILLE L1250-1750 MM WITH TWIST, INN-O-FLEX
	4010647	GATE H110 GRILLE L1750 MM WITH WIST, INN-O-FLEX
	4010646	GATE H110 GRILLE L1450 MM WITH WIST, INN-O-FLEX
1	4010645	GATE H110 GRILLE L1250 MM WITH WIST, INN-O-FLEX
1.1	4020645	GRILLE GATE 1250 MM FOR TWIST
1.2	4550427	INN-O-FLEX STUD BOLT COMPLET
1.3	68598	NUT M14 SS
1.4	17120	CASE TURN LOCK
1.5	68593	LOCK NUT A2 20 X 1,5
1.6	68763	LOCK WASHER 20 MM DIN6798A
1.7	68895	4 X 20 RIVET
1.8	30020	KNOB TURN ROD CLEAN-O-FLEX®/INN-O-FLEX
1.9	8050114	TURN ROD 645 MM



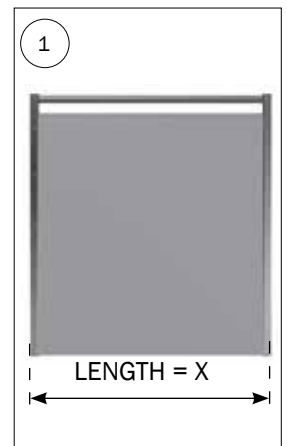
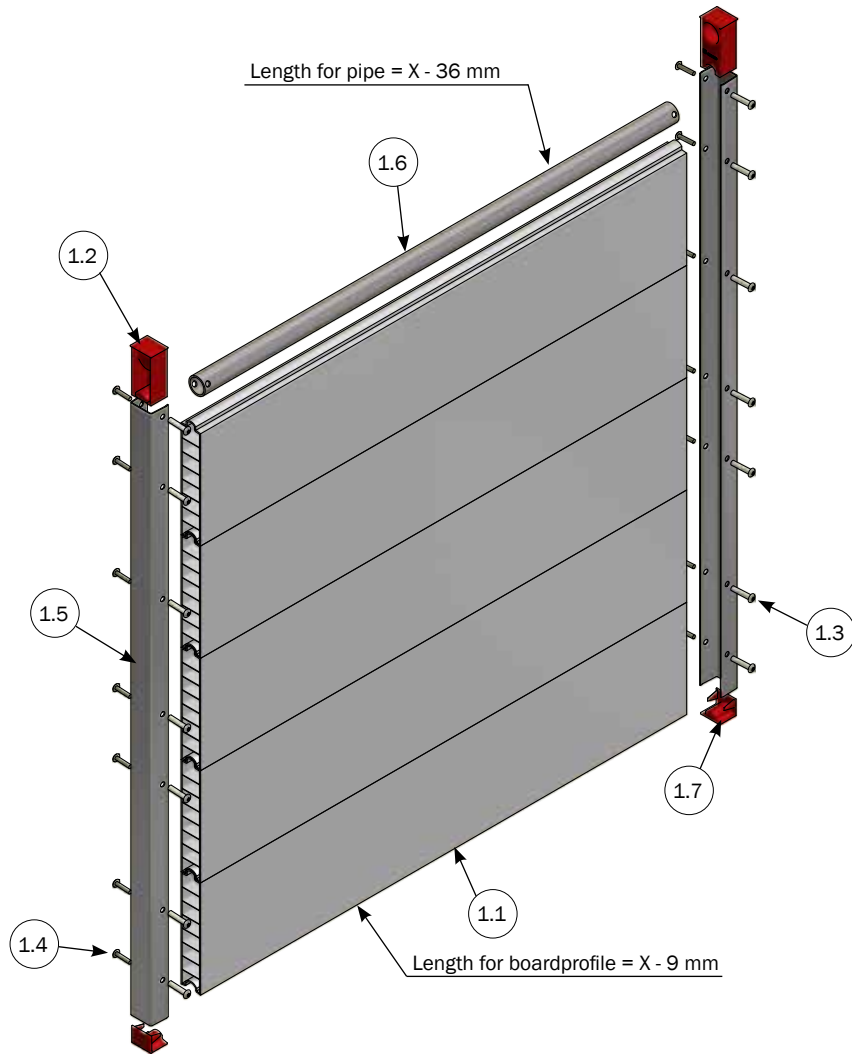
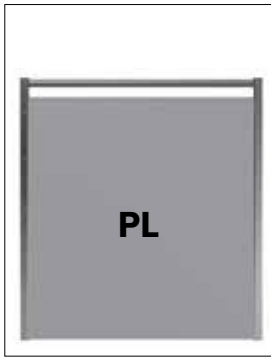
# UNASSAMBLED SIDE FOR INN-O-FLEX 40 MM H110 1000-2500 MM WITH GRILLE/BOARDPROFILE



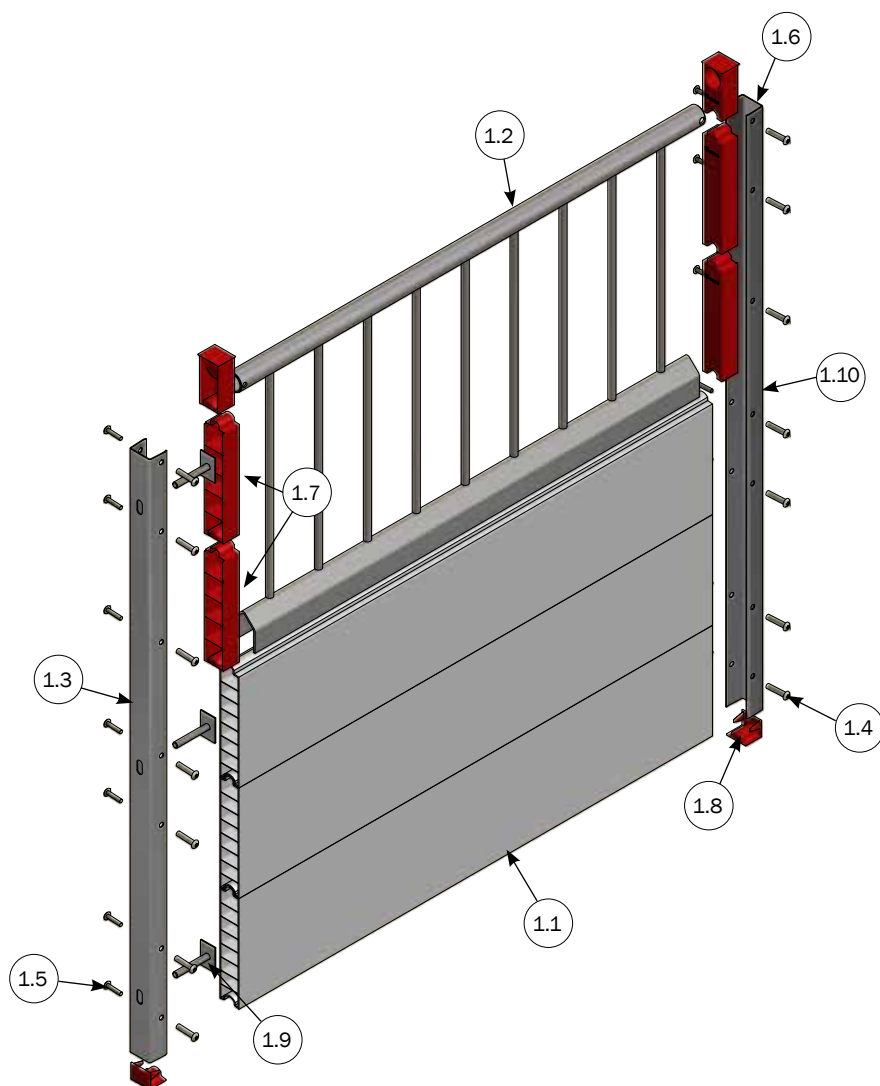
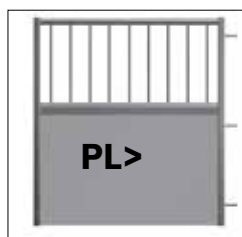
NO.	PCS.	ITEM NO.	DESCRIPTION
		4010993U	UNASSAMBLED SIDE H110 GRILL/BOARDPROFILE 2500 MM, INN-O-FLEX 40
		8540003	BOARDPROFILE 40 MM L2476 MM
		4020046	TOP GRILLE 2500 MM
		4010992U	UNASSAMBLED SIDE H110 GRILL/BOARDPROFILE 1750 MM, INN-O-FLEX 40
		8540002	BOARDPROFILE 40 MM L1738 MM
		4020045	TOP GRILLE 1750 MM
		4010991U	UNASSAMBLED SIDE H110 GRILL/BOARDPROFILE 1250 MM, INN-O-FLEX 40
		8540001	BOARDPROFILE 40 MM L1238 MM
		4020044	TOP GRILLE 1250 MM
1	1	4010990U	UNASSAMBLED SIDE H110 GRILL/BOARDPROFILE 1000 MM, INN-O-FLEX 40
1.1	3	8540000	BOARDPROFILE 40 MM L988 MM
1.2	1	4020043	TOP GRILLE 1000 MM
1.3	2	8450568	UPROFILE H1090
1.4	14	39206037	SPLICING SLEEVE M6X37 STAINLESS TORX 30
1.5	14	39106030	CONNECTION SCREW M6X30 STAINLESS TORX 30
1.6	2	8500229	TOP INSERT 40 MM
1.7	4	8500230	INSERT 40 MM
1.8	2	8500231	BOTTOM INSERT 40 MM



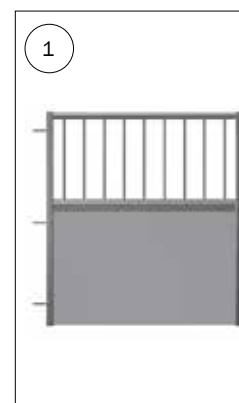
# UNASSAMPLED SIDE FOR INN-O-FLEX 40 MM H110 100-3600 MM WITH 1 BAR/BOARDPROFILE



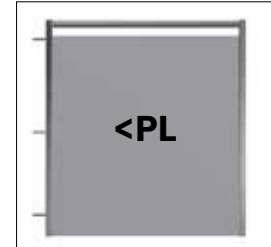
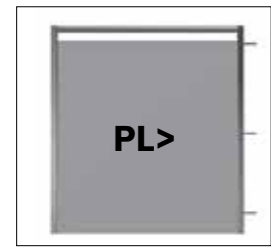
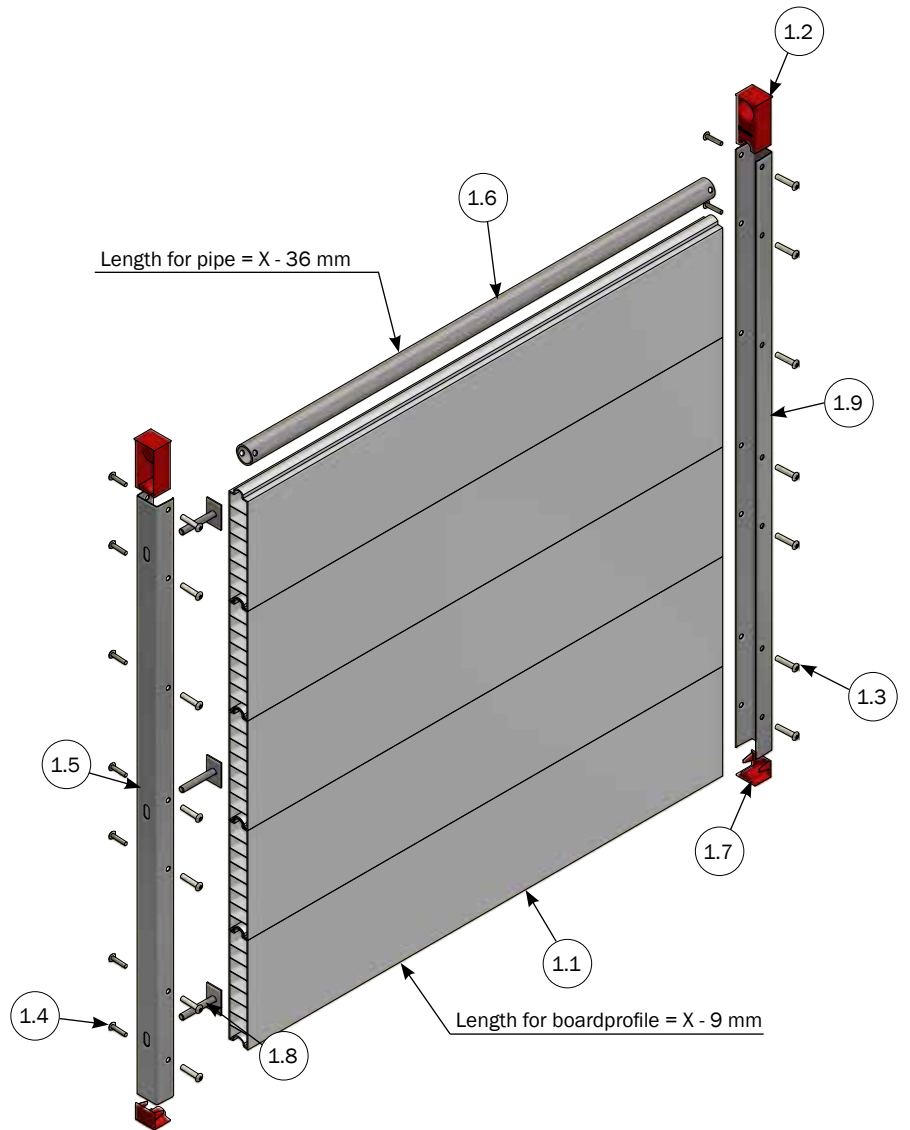
NO.	PCS.	ITEM NO.	DESCRIPTION
1	1	4010984U	UNASSAMBLD SIDE H110 5 BOARDPROFILE/1 BAR, INN-O-FLEX 40
1.1	LBM	9340461	BOARDPROFILE 40X200 TONGUE/GROOVE SPEC. LENGTH PRICE PER METER
1.2	2	8500229	TOP INSERT 40 MM
1.3	14	39206037	SPLICING SLEEVE M6X37 STAINLESS TORX 30
1.4	14	39106030	CONNECTION SCREW M6X30 STAINLESS TORX 30
1.5	2	8450568	UPROFILE H1090
1.6	LBM	112406	33.7 X 2.65 PIPE GALV. PRICE PER METER, LENGTH 6 METER
1.7	2	8500231	BOTTOM INSERT 40 MM



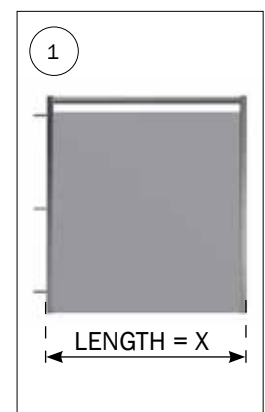
NO.	PCS.	ITEM NO.	DESCRIPTION
		4010989U	KIT FOR SIDE H110 GRILLE/BOARDPROFIL 2500 MM SINGLE BOLT, INN-O-FLEX 40
		8540003	BOARDPROFILE 40 MM L2476 MM
		4020046	TOP GRILLE 2500 MM
		4010988U	KIT FOR SIDE H110 GRILLE/BOARDPROFILE 1750 MM SINGLE BOLT, INN-O-FLEX 40
		8540002	BOARDPROFILE 40 MM L1738 MM
		4020045	TOP GRILLE 1750 MM
		4010987U	KIT FOR SIDE H110 GRILLE/BOARDPROFILE 1250 MM SINGLE BOLT, INN-O-FLEX 40
		8540001	BOARDPROFILE 40 MM L1238 MM
		4020044	TOP GRILLE 1250 MM
1	1	4010986U	KIT FOR SIDE H110 GRILLE/BOARDPROFILE 1000 MM SINGLE BOLT, INN-O-FLEX 40
1.1	3	8540000	BOARDPROFILE 40 MM L988 MM
1.2	1	4020043	TOP GRILLE 1000 MM
1.3	1	8450569	UPROFILE H1090 WITH HOLE
1.4	14	39206037	SPLICING SLEEVE M6X37 STAINLESS TORX 30
1.5	14	39106030	CONNECTION SCREW M6X30 STAINLESS TORX 30
1.6	2	8500229	TOP INSERT 40 MM
1.7	4	8500230	INDSATS 40 MM
1.8	2	8500231	BOTTOM INSERT 40 MM
1.9	3	29695	M10 X 70 BOLT SPEC. HEAD F/INN-O-FLEX
1.10	1	8450568	UPROFILE H1090



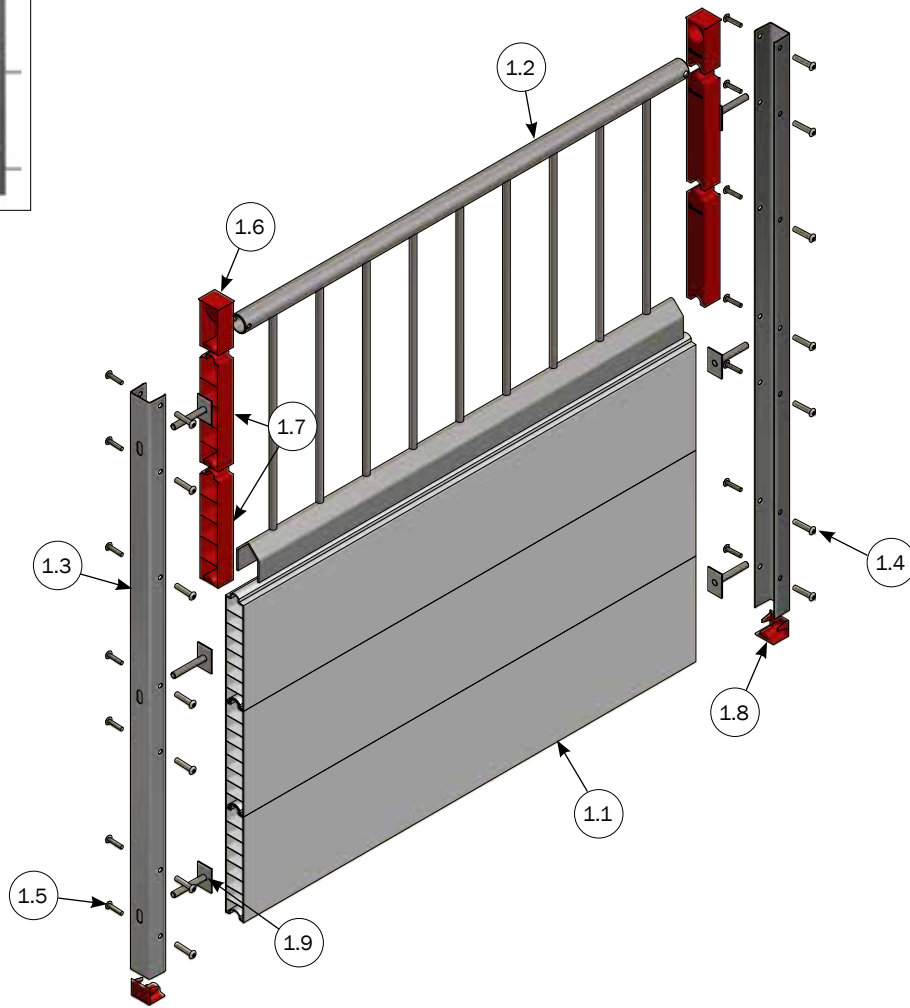
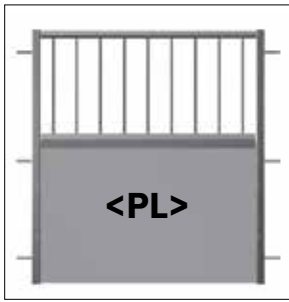
# UNASSSEMBLED SIDE FOR INN-O-FLEX 40 MM H110 100-3600 MM 1 BAR/BOARDPROFILE/SINGLE BOLT



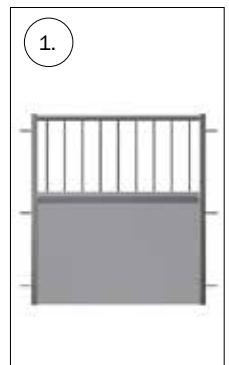
NO.	PCS.	ITEM NO.	DESCRIPTION
1	1	4010983U	KIT FOR SIDE H110 5 BOARDPROFILE/1 BARS SINGLE BOLT
1.1	LBM	9340461	BOARDPROFILE 40X200 TONGUE/GROOVE SPEC. LENGTH PRICE PER METER
1.2	1	8500229	TOP INSERT 40 MM
1.3	14	39206037	SPLICING SLEEVE M6X37 STAINLESS TORX 30
1.4	14	39106030	CONNECTION SCREW M6X30 STAINLESS TORX 30
1.5	1	8450569	UPROFILE H1090 WITH HOLE
1.6	LBM	112406	33.7 X 2.65 PIPE GALV. PRICE PER METER, LENGTH 6 METER
1.7	2	8500231	BOTTOM INSERT 40 MM
1.8	3	29695	M10 X 70 BOLT SPEC. HEAD F/INN-O-FLEX
1.9	1	8450568	UPROFILE H1090



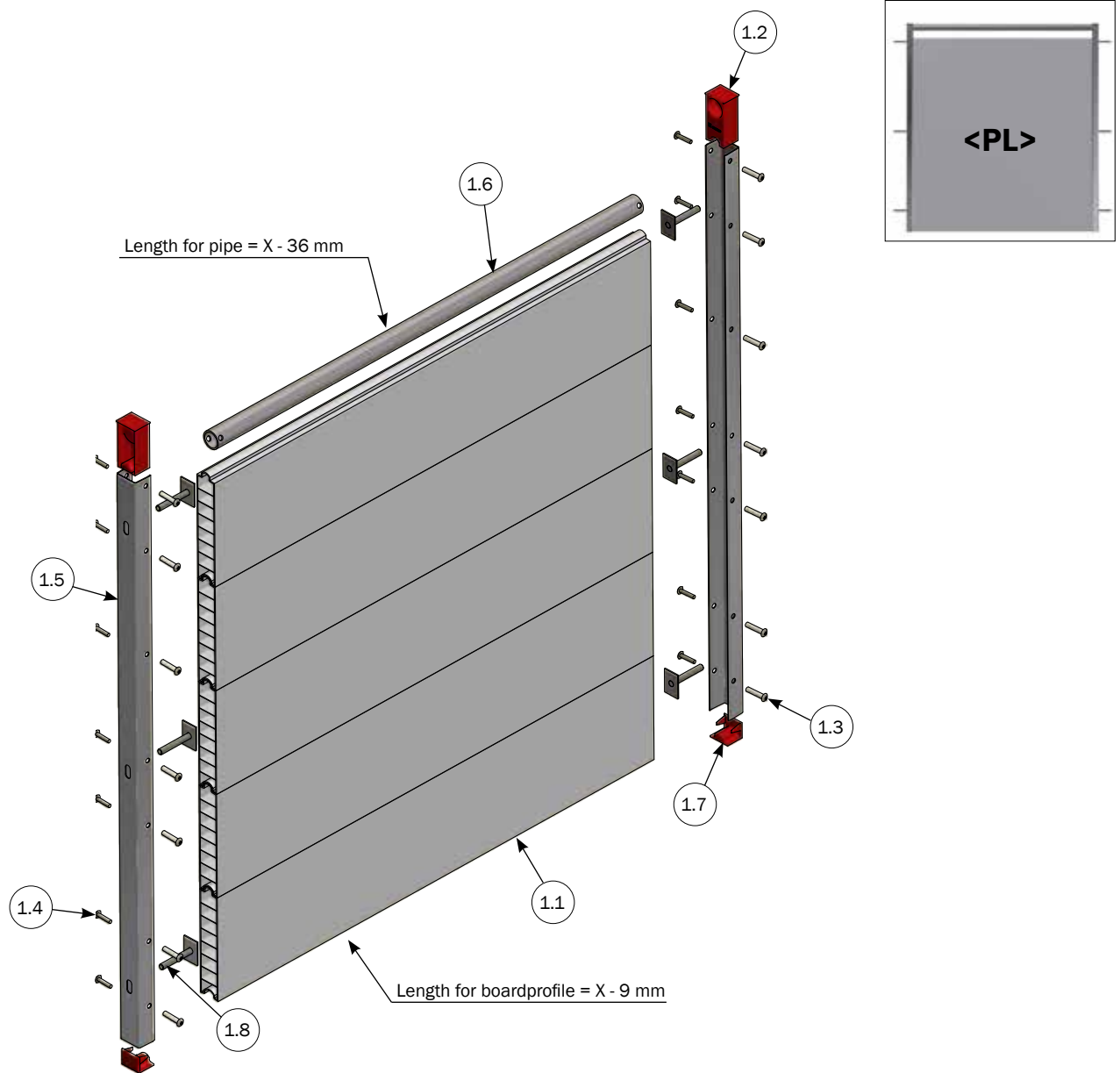
# UNASSAMBLED SIDE FOR INN-O-FLEX 40 MM H110 WITH GRILLE/BOARDPROFIL/DOUBLE BOLT



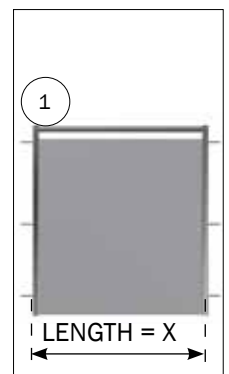
NO.	PCS.	ITEM NO.	DESCRIPTION
		4010997U	UNASSAMBLED SIDE H110 GRILLE/BOARDPROFILE 2500 MM DOUBLE BOLT, INN-O-FLEX 40
		8540003	BOARDPROFILE 40 MM L2476 MM
		4020046	TOP GRILLE 2500 MM
		4010996U	UNASSAMBLED SIDE H110 GRILLE/BOARDPROFILE 1750 MM DOUBLE BOLT, INN-O-FLEX 40
		8540002	BOARDPROFILE 40 MM L1738 MM
		4020045	TOP GRILLE 1750 MM
		4010995U	UNASSAMBLED SIDE H110 GRILLE/BOARDPROFILE 1250 MM DOUBLE BOLT, INN-O-FLEX 40
		8540001	BOARDPROFILE 40 MM L1238 MM
		4020044	TOP GRILLE 1250 MM
1	1	4010994U	UNASSAMBLED SIDE H110 GRILLE/BOARDPROFILE 1000 MM DOUBLE BOLT, INN-O-FLEX 40
1.1	3	8540000	BOARDPROFILE 40 MM L988 MM
1.2	1	4020043	TOP GRILLE 1000 MM
1.3	2	8450569	UPROFILE H1090 WITH HOLE
1.4	14	39206037	SPLICING SLEEVE M6X37 STAINLESS TORX 30
1.5	14	39106030	CONNECTION SCREW M6X30 STAINLESS TORX 30
1.6	2	8500229	TOP INSERT 40 MM
1.7	4	8500230	INDSATS 40 MM
1.8	2	8500231	BOTTOM INSERT 40 MM
1.9	6	29695	M10 X 70 BOLT SPEC. HEAD F/INN-O-FLEX



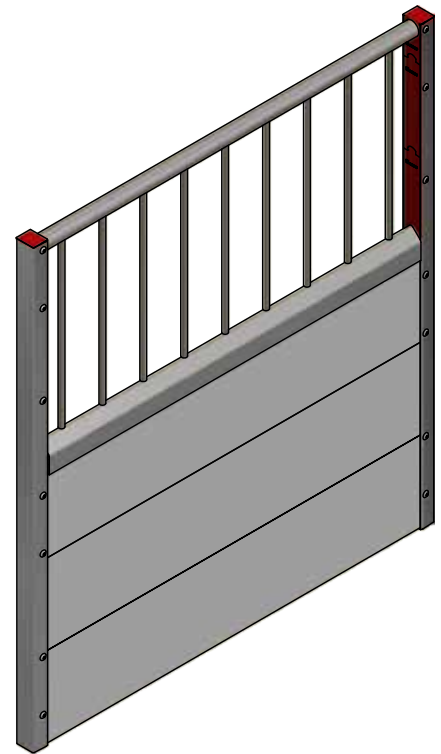
# UNASSAMBLED SIDE FOR INN-O-FLEX 40 MM H100 100-3600 MM 1 BAR/BOARDPROFILE/DOUBLE BOLT



NO.	PCS.	ITEM NO.	DESCRIPTION
1	1	4010985U	UNASSAMBLED SIDE H110 5 BOARDPROFILE/1 BAR DOUBLE BOLT, INN-O-FLEX 40
1.1	LBM	9340461	BOARDPROFILE 40X200 TONGUE/GROOVE SPEC. LENGTH PRICE PER METER
1.2	2	8500229	TOP INSERT 40 MM
1.3	14	39206037	SPLICING SLEEVE M6X37 STAINLESS TORX 30
1.4	14	39106030	CONNECTION SCREW M6X30 STAINLESS TORX 30
1.5	2	8450569	UPROFILE H1090 WITH HOLE
1.6	LBM	112406	33.7 X 2.65 PIPE GALV. PRICE PER METER, LENGTH 6 METER
1.7	2	8500231	BOTTOM INSERT 40 MM
1.8	6	29695	M10 X 70 BOLT SPEC. HEAD F/INN-O-FLEX



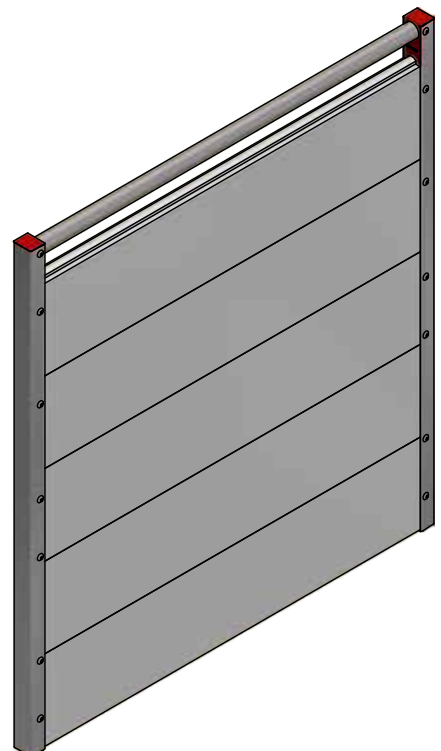
## SIDE FOR INN-O-FLEX 40 MM H110 1000-2500 MM GRILLE/BOARDPROFILE



ITEM NO.	DESCRIPTION
4010993	SIDE H110 GRILLE/BOARDPROFILE 2500 MM, INN-O-FLEX 40
4010992	SIDE H110 GRILLE/BOARDPROFILE 1750 MM, INN-O-FLEX 40
4010991	SIDE H110 GRILLE/BOARDPROFILE 1250 MM, INN-O-FLEX 40
4010990	SIDE H110 GRILLE/BOARDPROFILE 1000 MM, INN-O-FLEX 40

---

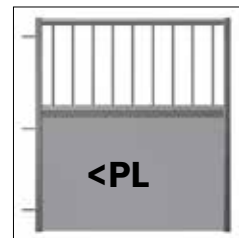
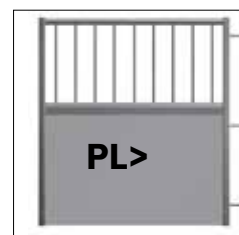
## SIDE FOR INN-O-FLEX 40 MM H110 100-3600 MM 1 BAR/BOARDPROFILE



ITEM NO.	DESCRIPTION
4010984	SIDE H110 5 BOARDPROFILE/1 BAR, INN-O-FLEX 40

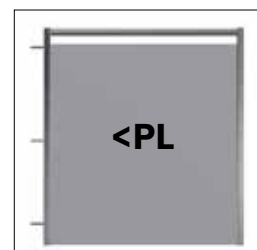
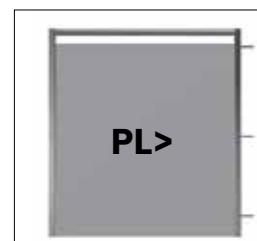
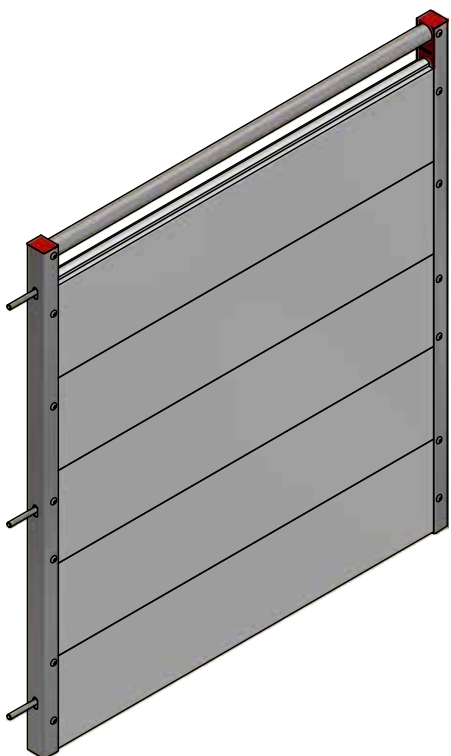


## SIDE TIL INN-O-FLEX 40 MM H110 1000-2500 MM MED GITTER/PLANKE/ENKELT BOLT



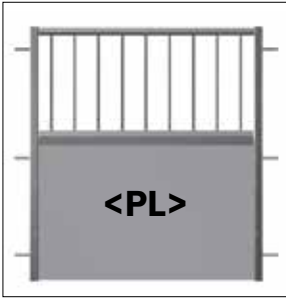
VARE NR.	BESKRIVELSE
4010989	SIDE H110 GRILLE/BOARDPROFILE 2500 MM SINGLE BOLT, INN-O-FLEX 40
4010988	SIDE H110 GRILL/BOARDPROFILE 1750 MM SINGLE BOLT, INN-O-FLEX 40
4010987	SIDE H110 GRILL/BOARDPROFILE 1250 MM SINGLE BOLT, INN-O-FLEX 40
4010986	SIDE H110 GRILL/BOARDPROFILE 1000 MM SINGLE BOLT, INN-O-FLEX 40

## SIDE TIL INN-O-FLEX 40 MM H110 100-3600 MM MED 1 RØR/PLANKE/ENKELT BOLT



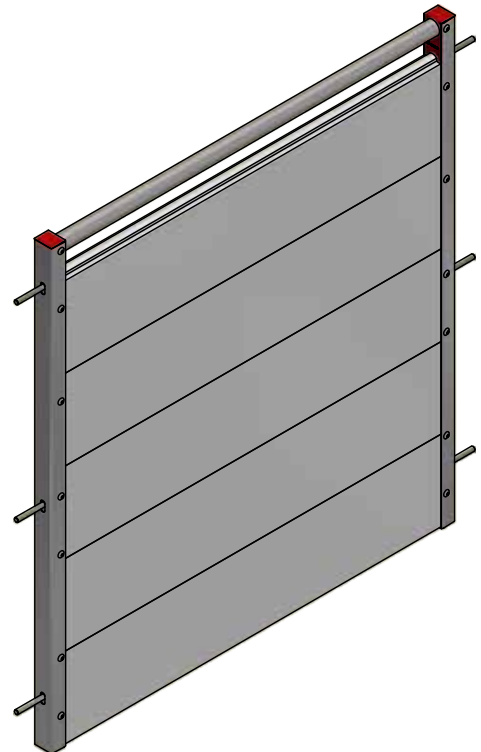
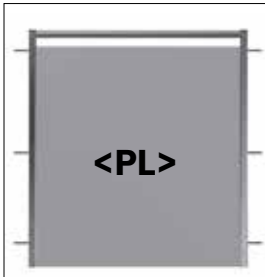
ITEM NO.	DESCRIPTION
4010983	SIDE H110 5 BOARDPROFILE/1 BAR SINGLE BOLT, INN-O-FLEX 40

**SIDE FOR INN-O-FLEX 40 MM H110 WITH GRILLE/BOARDPROFIL/DOUBLE BOLT**



ITEM NO.	DESCRIPTION
4010997	SIDE H110 GRILLE/BOARDPROFILE 2500 MM DOUBLE BOLT, INN-O-FLEX 40
4010996	SIDE H110 GRILLE/BOARDPROFILE 1750 MM DOUBLE BOLT, INN-O-FLEX 40
4010995	SIDE H110 GRILLE/BOARDPROFILE 1250 MM DOUBLE BOLT, INN-O-FLEX 40
4010994	SIDE H110 GRILLE/BOARDPROFILE 1000 MM DOUBLE BOLT, INN-O-FLEX 40

**SIDE FOR INN-O-FLEX 40 MM H100 100-3600 MM 1 BAR/BOARDPROFILE/DOUBLE BOLT**



ITEM NO.	DESCRIPTION
4010985	SIDE H110 5 BOARDPROFILE/1 BAR DOUBLE BOLT, INN-O-FLEX 40

## GRILLE FOR INN-O-FLEX 40MM H110MM 1000-1750 MM



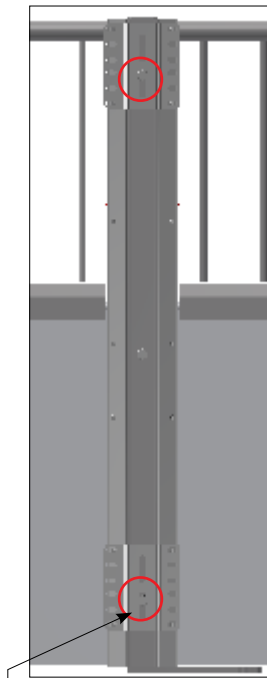
ITEM NO.	DESCRIPTION
4020940	GRILLE H110, L:1000 MM
4020941	GRILLE H110, L:1250 MM
4020942	GRILLE H110, L:1450 MM
4020943	GRILLE H110, L:1750 MM

## GRILLE FOR INN-O-FLEX 40MM H110MM 200-2500 MM

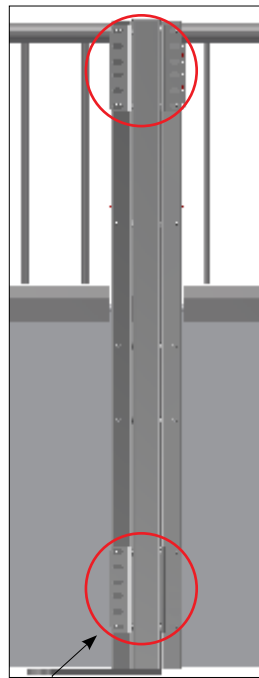


ITEM NO.	DESCRIPTION
4020939	GRILLE H110, L:200-1000 MM
4020944	GRILLE H110, L:1750 - 2500 MM

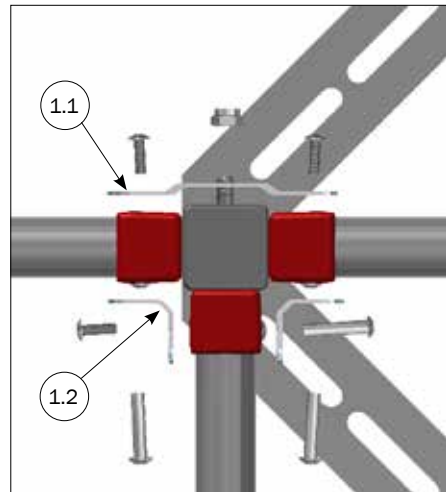
## INN-O-FLEX ASSEMBLY FOR CORNER



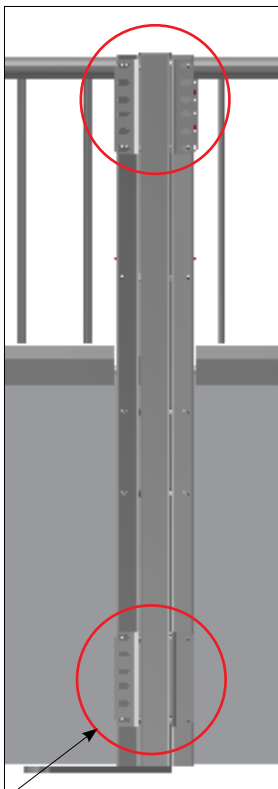
Mounting with bolt from "side with bolt"



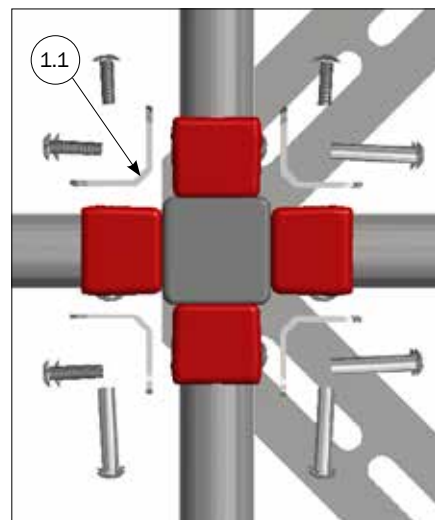
Mounting with connection screw from side.



PARTS LIST			
NO.	PCS.	ITEM NO.	DESCRIPTION
1	1	4000923	INN-O-FLEX ASSEMBLY FOR PANELT-PCS.
1.1	2	29760	INN-O-FLEX ASSEMBLY BRACKET DOUBLE
1.2	4	8450561	INN-O-FLEX CORNER BRACKET

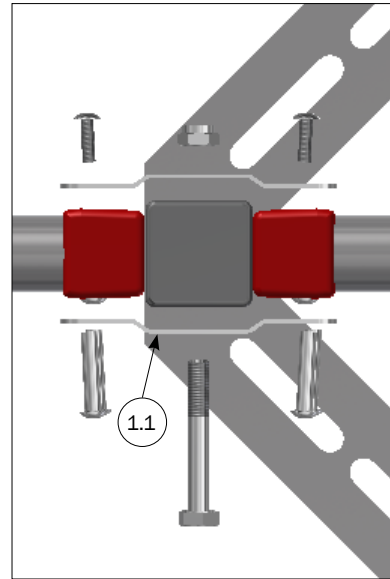
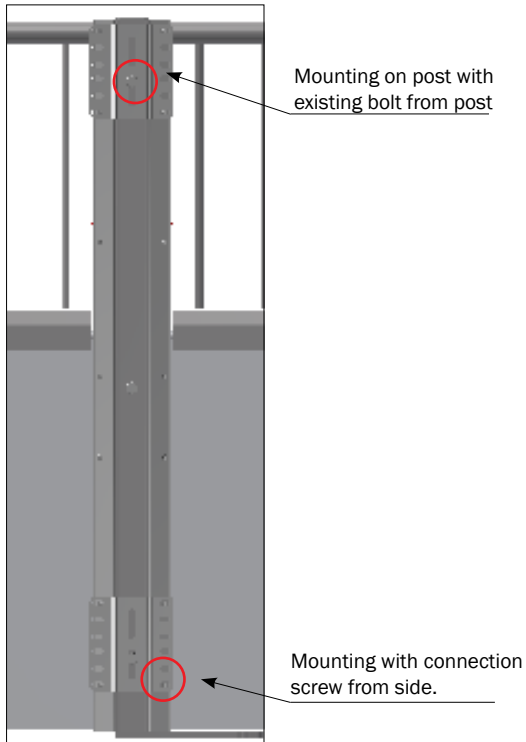


Mounting with connection screw from side.

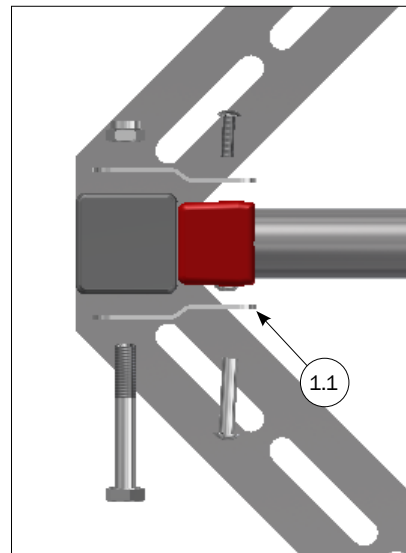
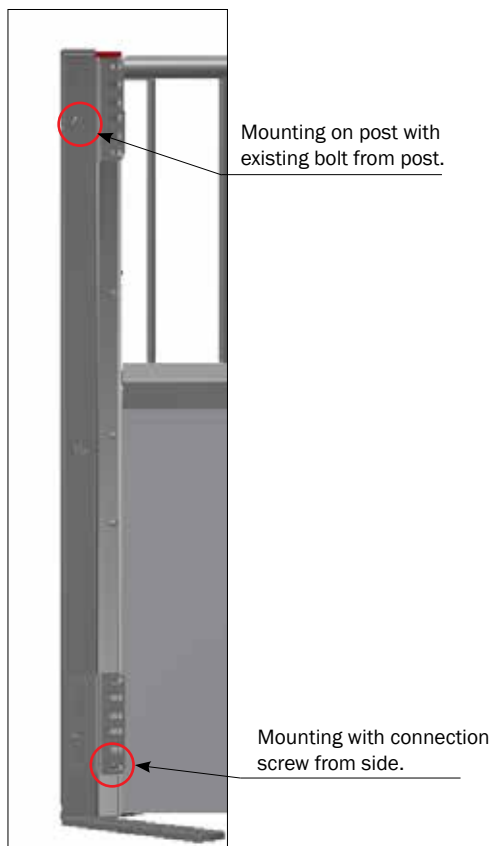


PARTS LIST			
NO.	PCS.	ITEM NO.	DESCRIPTION
1	1	4000924	INN-O-FLEX ASSEMBLY FOR PANELCROSS PCS.
1.1	4	29760	INN-O-FLEX ASSEMBLY BRACKET DOUBLE

## INN-O-FLEX ASSEMBLY FOR EXTENSION/END POST

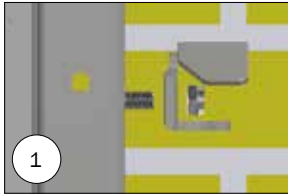


PARTS LIST			
NO.	PCS.	ITEM NO.	DESCRIPTION
1	1	29800	INN-O-FLEX ASSEMBLY BOARDPROFILE DOUBLE
1.1	4	29760	INN-O-FLEX ASSEMBLY BRACKET DOUBLE

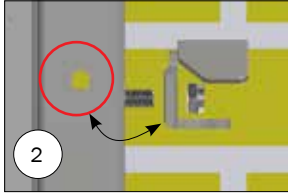


PARTS LIST			
NO.	PCS.	ITEM NO.	DESCRIPTION
1	1	29805	INN-O-FLEX ASSEMBLY BOARDPROFILE SINGLE
1.1	4	29750	INN-O-FLEX ASSEMBLY FITTING RIGHT

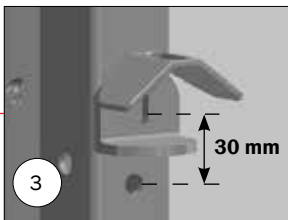
# MOUNTING KIT FOR GATE WITH PIN LOCK



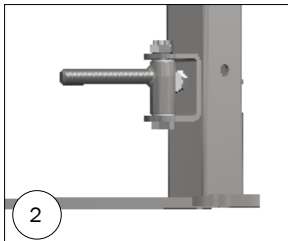
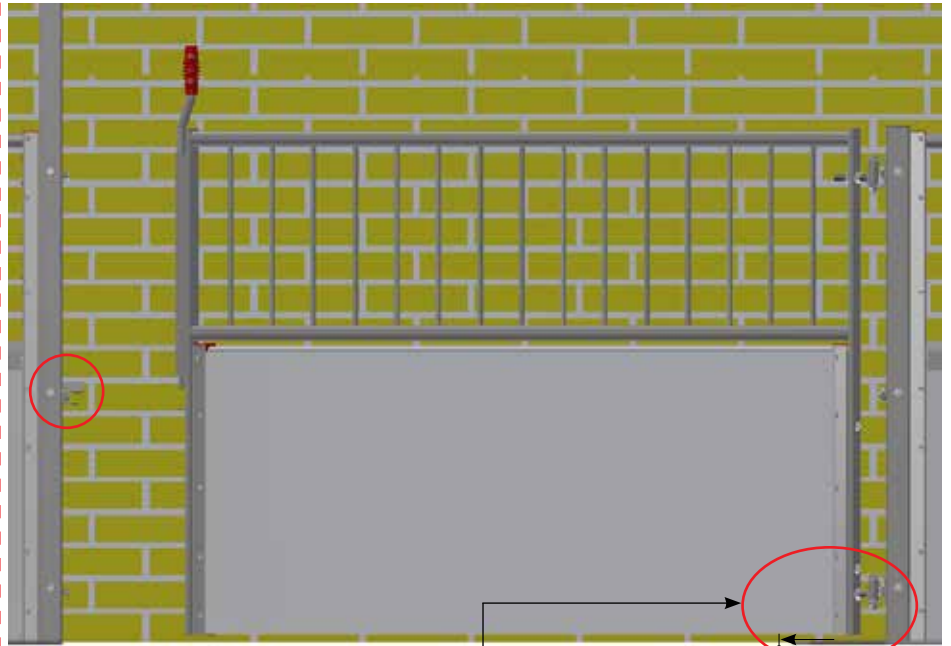
1  
Mounting of bracket is bolt from post in use



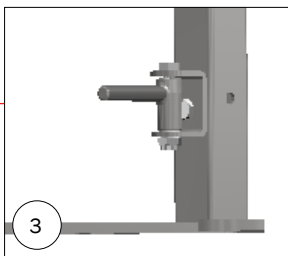
2  
Mounting of bracket is bolt from post in use. Post is turned so footplates is turning out/inside.



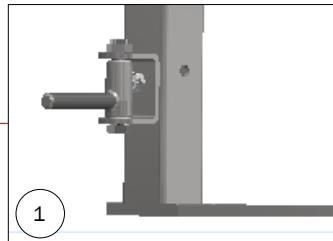
3  
Mounting of drop latch "make new hole with M10 thread at the place. Must be ordered separately:  
Set screw for mounting " 30310025"  
SET SCREW M10X25 A2 DIN 933



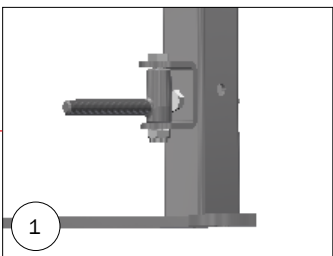
2  
Distance between floor and bottom of gate is 30 mm



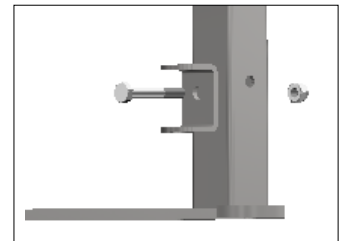
3  
Distance between floor and bottom of gate is 40 mm



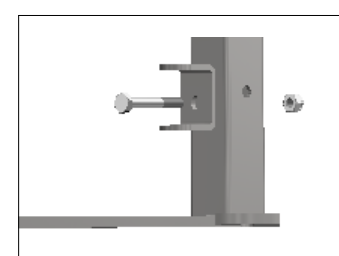
1  
Distance between floor and bottom of gate is 10 mm



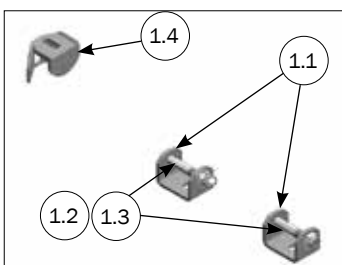
1  
Distance between floor and bottom of gate is 20 mm



Bracket is mounted with bolt from post

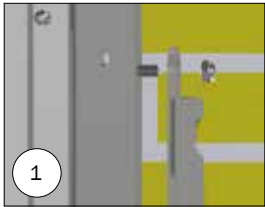


Bracket is mounted with bolt from post

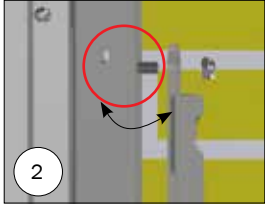


PARTS LIST			
NO.	PCS.	ITEM NO.	DESCRIPTION
1	1	4000904	KIT FOR GATE WITH PIN BOLT
1.1	2	29715HG	INN-O-FLEX HINGE BRACKET
1.2	2	67549	M12 X 80 HEX HEAD BOLT A2
1.3	2	33912000	LOCK NUT M12 A2 DIN 985
1.4	1	1915043	DROP LATCH 40 MM.

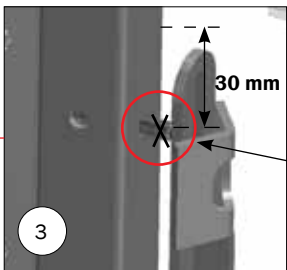
# MOUNTING KIT FOR GATE WITH TWIST



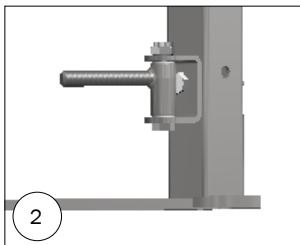
1  
Mounting of bracket is bolt from post in use



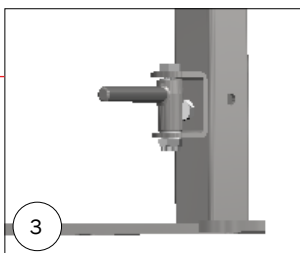
2  
Mounting of bracket is bolt from post in use. Post is turned so footplates is turning out/inside.



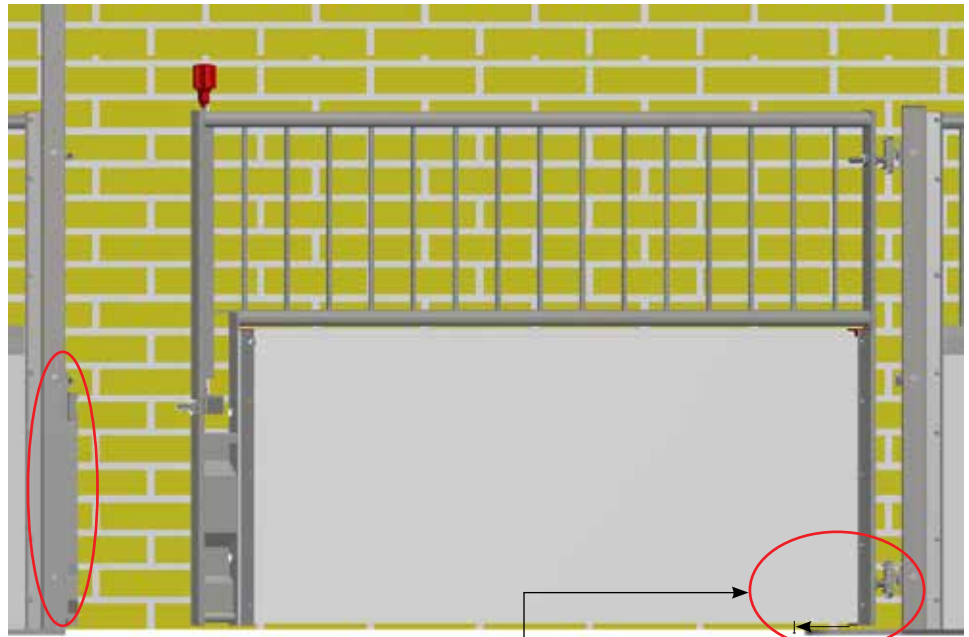
3  
Mounting of receiverbracket "make new hole with M10 thread at the place".  
Must be ordered separately:  
Set screw for mounting " 30310025"  
SET SCREW M10X25 A2 DIN 933



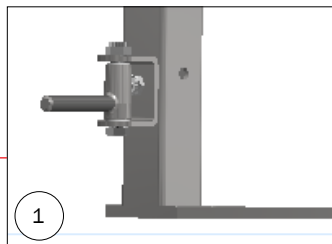
2  
Distance between floor and bottom of gate is 30 mm



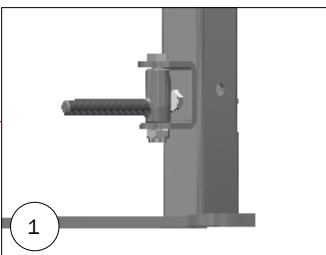
3  
Distance between floor and bottom of gate is 40 mm



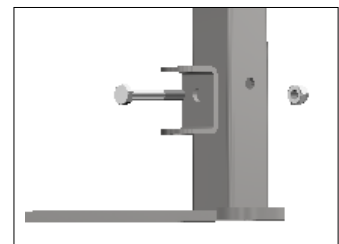
Existing bolt is cut of for mounting of bracket.



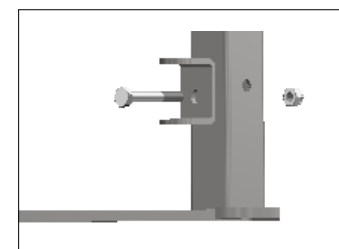
1  
Distance between floor and bottom of gate is 10 mm



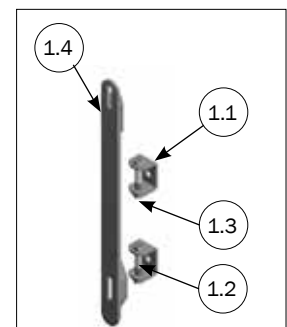
1  
Distance between floor and bottom of gate is 20 mm



Bracket is mounted with bolt from post

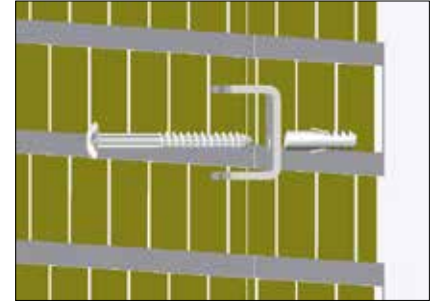
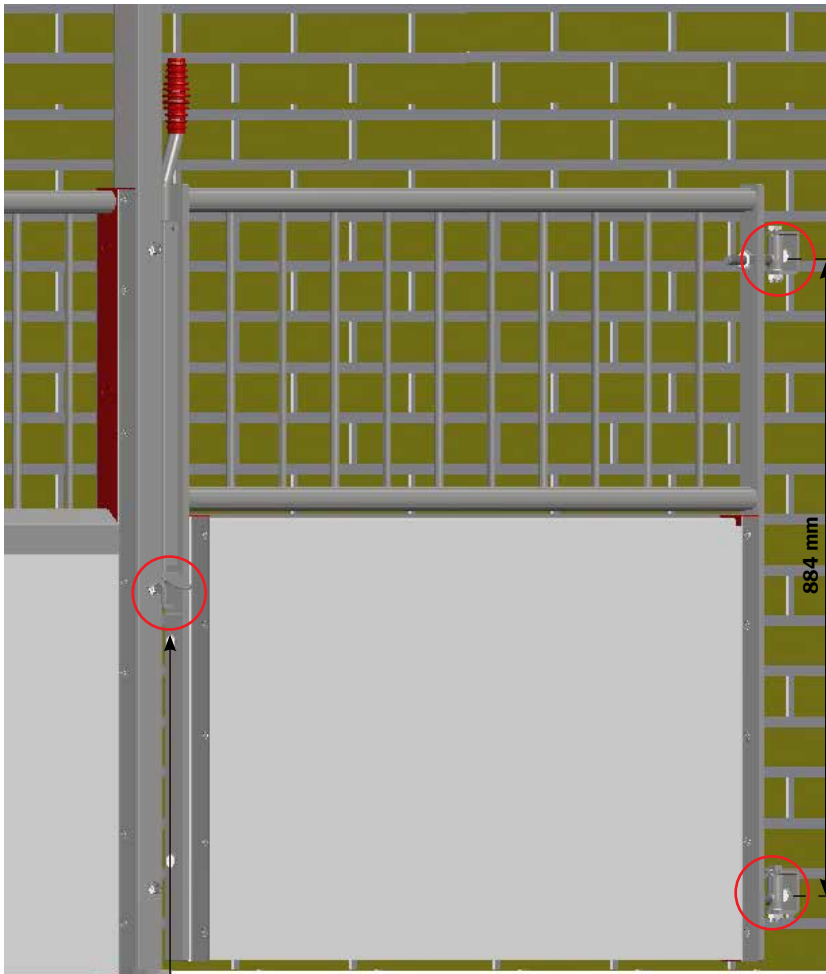


Bracket is mounted with bolt from post

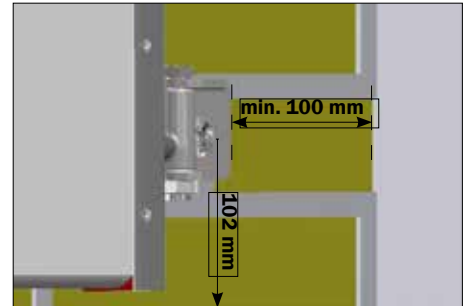


PARTS LIST			
NO.	PCS.	ITEM NO.	DESCRIPTION
1	1	4000896	KIT FOR GATE WITH TWISTLOCK
1.1	2	29715HG	INN-O-FLEX HINGE BRACKET
1.2	2	67549	M12 X 80 HEX HEAD BOLT A2
1.3	2	33912000	LOCK NUT M12 A2 DIN 985
1.4	1	29728	INN-O-FLEX RECEIVERBRACKET

## MOUNTING OF GATE WITH PIN LOCK AGAINST WALL



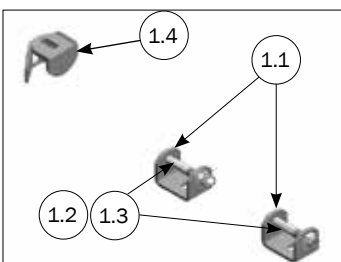
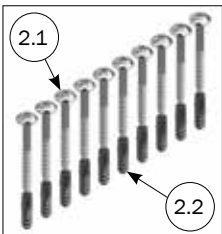
Mounting on wall "4800010"  
10 PCS. SS BUTTON HEAD SCREWS 10X70  
+ WALL PLUG



Distance from edge of wall to bracket min. 100 mm  
distance from floor to hole on bracket is 102 mm



Bracket is mounted with bolt  
from post.

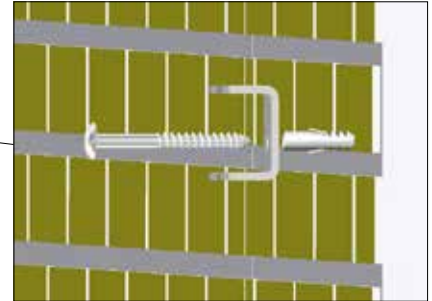
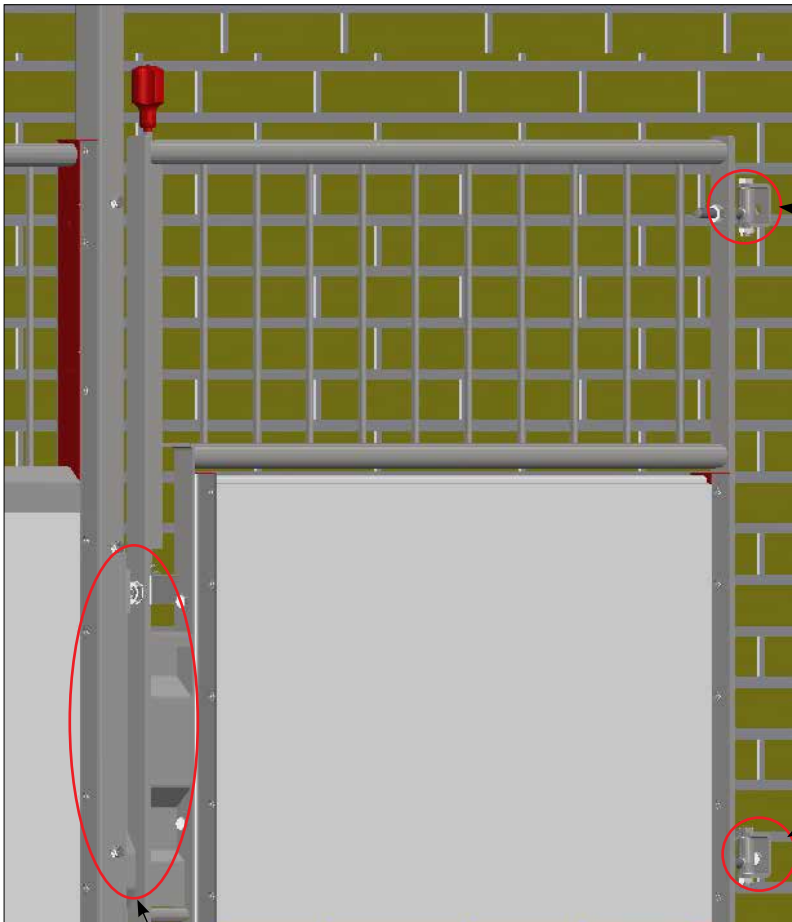


### PARTS LIST

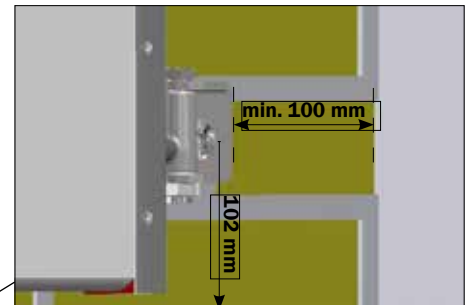
NO.	PCS.	ITEM NO.	DESCRIPTION
1	1	4000904	KIT FOR GATE WITH PIN BOLT
1.1	2	29715HG	INN-O-FLEX HINGE BRACKET
1.2	2	67549	12 X 80 HEX HEAD BOLT A2
1.3	2	33912000	LOCK NUT M12 A2 DIN 985
1.4	1	1915043	DROP LATCH 40 MM.
2	1	4800010	10 PCS. SS BUTTON HEAD SCREWS M10X70 + WALL PLUG
2.1	(10) 2	67444	M10 X 70 BUTTON HEAD TORX 50 STAINLESS STEEL
2.2	(10) 2	39900001	WALL PLUG 12X60 MM



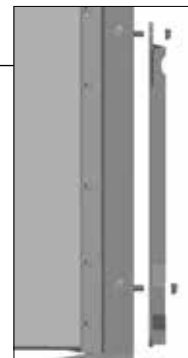
## MOUNTING OF GATE WITH TWIST AGAINST WALL



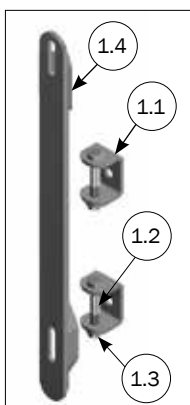
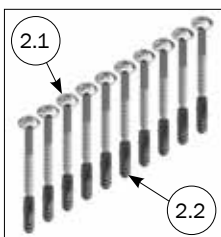
Mounting on wall "4800010"  
10 PCS. SS BUTTON HEAD SCREWS 10X70  
+ WALL PLUG



Distance from eadg of to bracket min. 100 mm  
distance from floor to hole on bracket is 102 mm

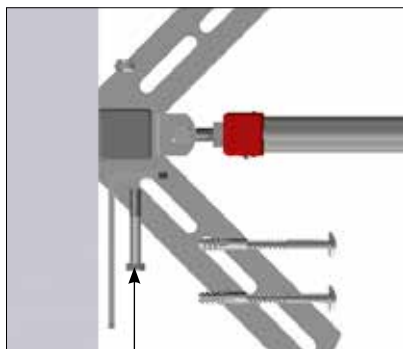
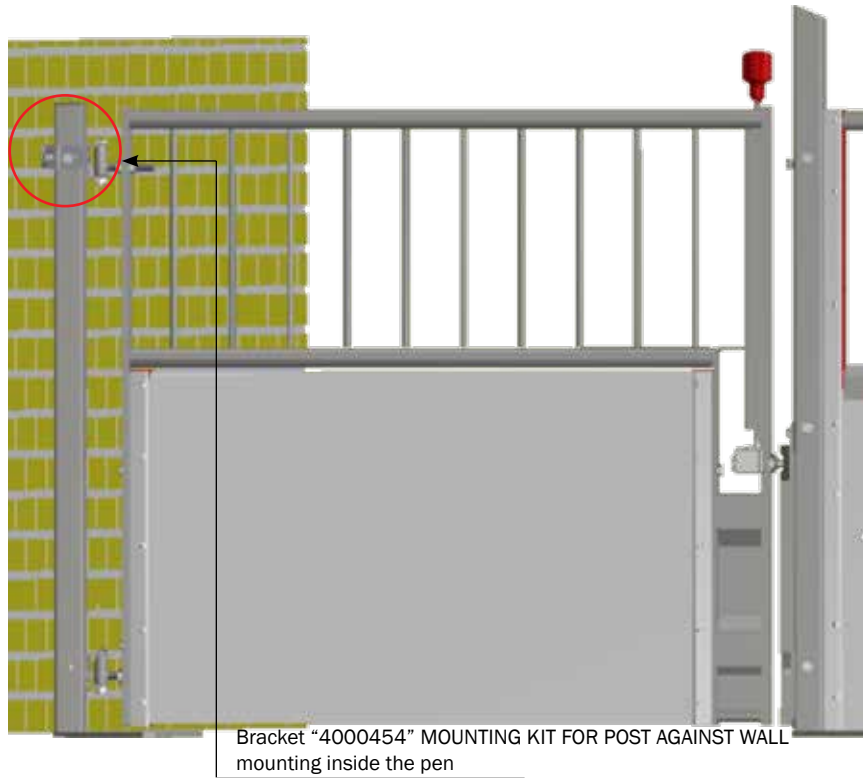


Bracket is mounted with bolt  
from post.

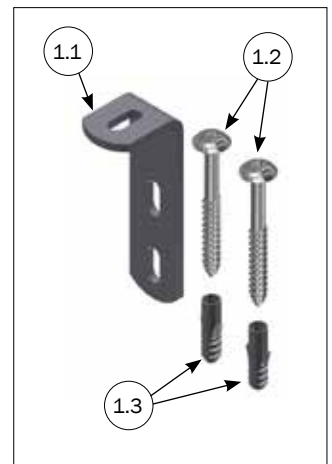


PARTS LIST			
NO.	PCS.	ITEM NO.	DESCRIPTION
1	1	4000896	SÆT TIL LÅGE MED TWISTLÅS
1.1	2	29715HG	INN-O-FLEX HÆNGSELBESLAG
1.2	2	67549	12 X 80 MASKINBOLT A2
1.3	2	33912000	LÅSEMØTRIK M12 A2 VOKSBEH. DIN985
1.4	1	29728	INN-O-FLEX MODTAGERBESLAG
2	1	4800010	10 STK RF FRANSK M10x70 + DYBEL
2.1	(10) 2	67444	FRANSK SKRUE M10 X 70 TORX 50 RF
2.2	(10) 2	39900001	DYBEL 12X60 MM

## MOUNTING OF POST AGAINST WALL



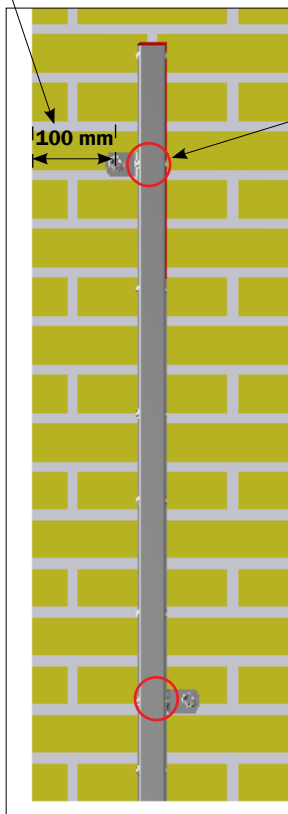
Bracket is mounted with bolt  
from post



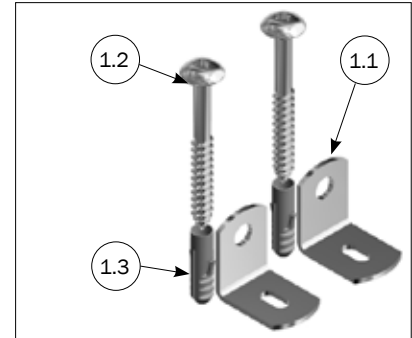
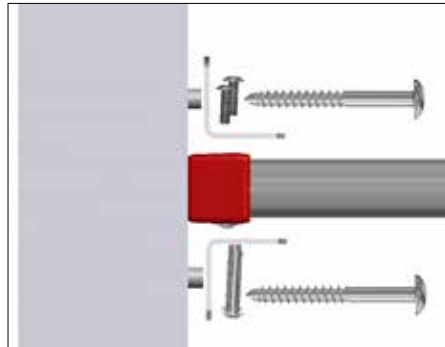
PARTS LIST			
NO.	PCS.	ITEM NO.	DESCRIPTION
1	1	4000454	MOUNTING KIT FOR POST AGAINST WALL
1.1	1	4020299	WALL FITTING FOR FRAME
1.2	2	67444	10 X 70 BUTTON HEAD TORX 50 STAINLESS STEEL
1.3	2	39900001	WALL PLUG 12X60 MM

## MONTING KIT FOR U-POST AGAINST WALL WITH MORE THAN 100 MM DISTANCE

For mounting of post in wall is "38520" in use.  
Minimum 100 mm from edge of wall to bracket.



Mounting with connection screw from side.

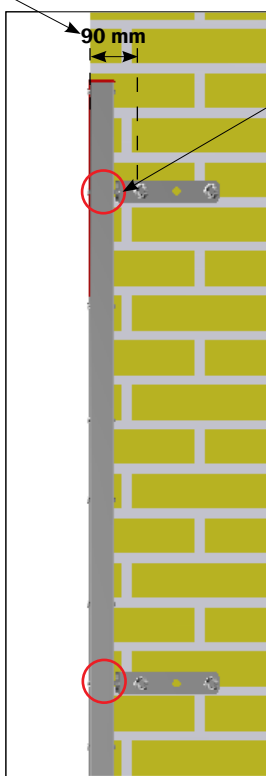


### PARTS LIST

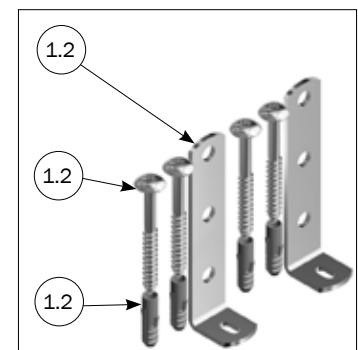
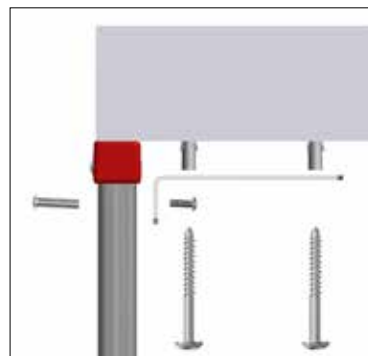
NO.	PCS.	ITEM NO.	DESCRIPTION
1	1	38520	MOUNT KIT FOR U-POST AGAINST WALL
1.1	2	30906	WALL BRACKET ANGLE/PANEL
1.2	2	67444	10 X 70 BUTTON HEAD TORX 50 STAINLESS STEEL
1.3	2	39900001	WALL PLUG 12X60 MM

## MOUNTING KIT FOR FRONT PARTS AGAINST WALL WITH DISTANCE LESS THAN 100 MM

Below 100 mm from edge of wall to bracket must "38519" be in use



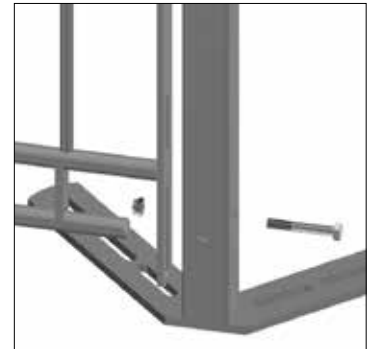
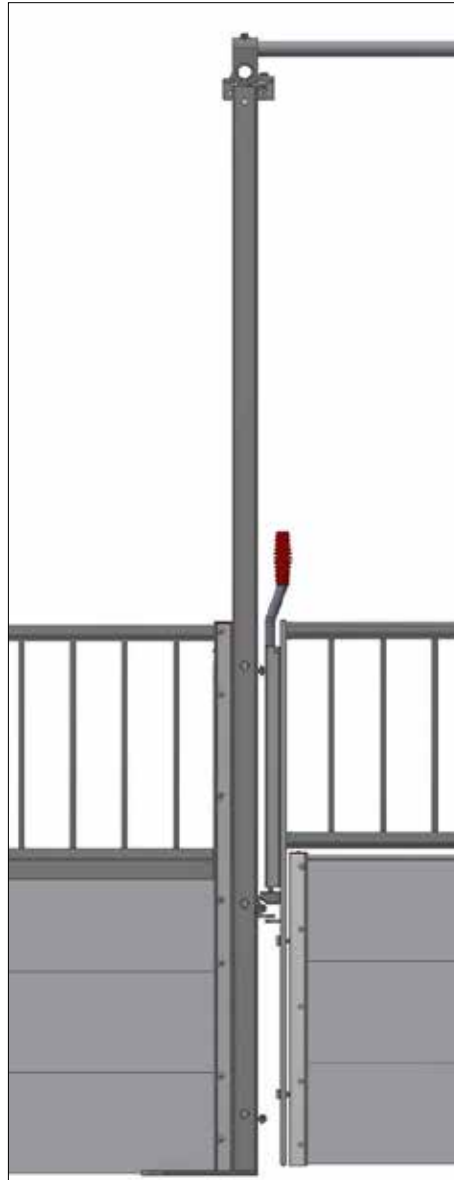
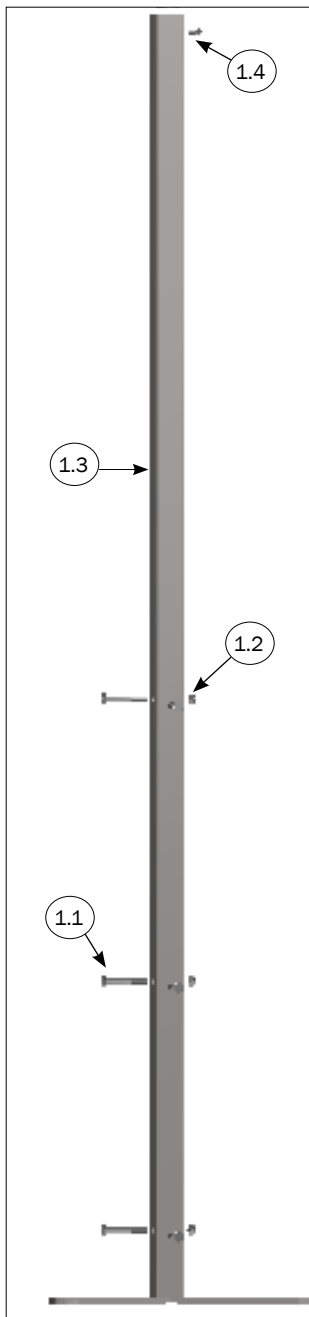
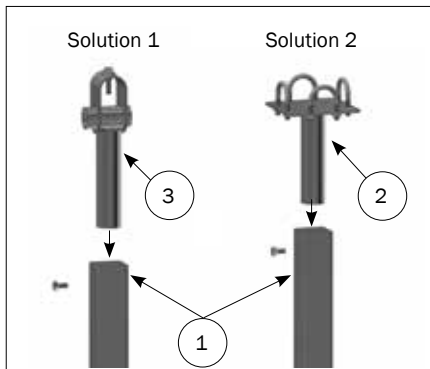
Mounting with connection screw from side.



### PARTS LIST

NO.	PCS.	ITEM NO.	DESCRIPTION
1	1	38519	MOUNTING KIT FOR FRONT PART AGAINST WALL
1.1	2	30899	BRACKET FOR WALL LONG
1.2	4	67444	10 X 70 BUTTON HEAD TORX 50 STAINLESS STEEL
1.3	4	39900001	WALL PLUG 12X60 MM

## MOUNTING OF HIGH POST



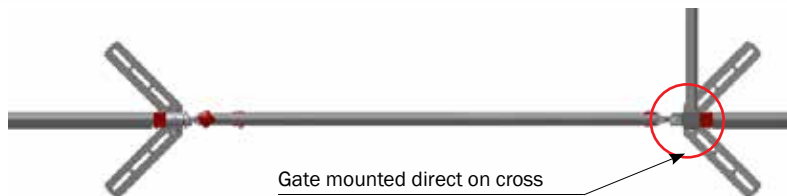
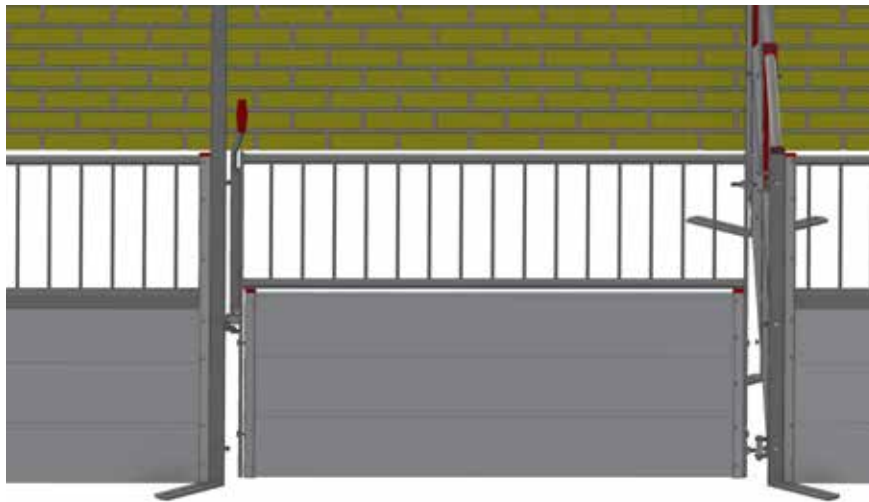
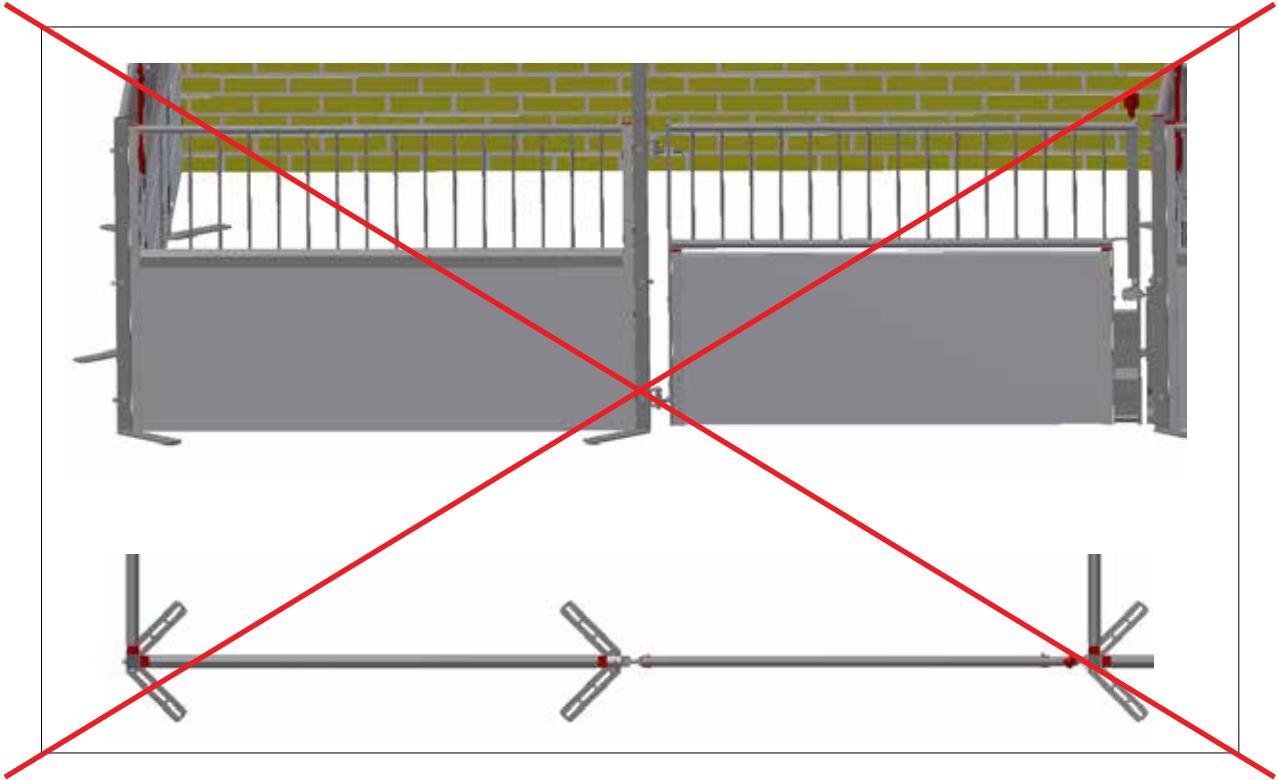
**POS. 1.1** is not in use.  
When mounting of post against  
side "

### PARTS LIST

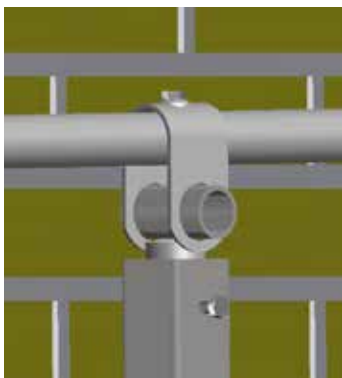
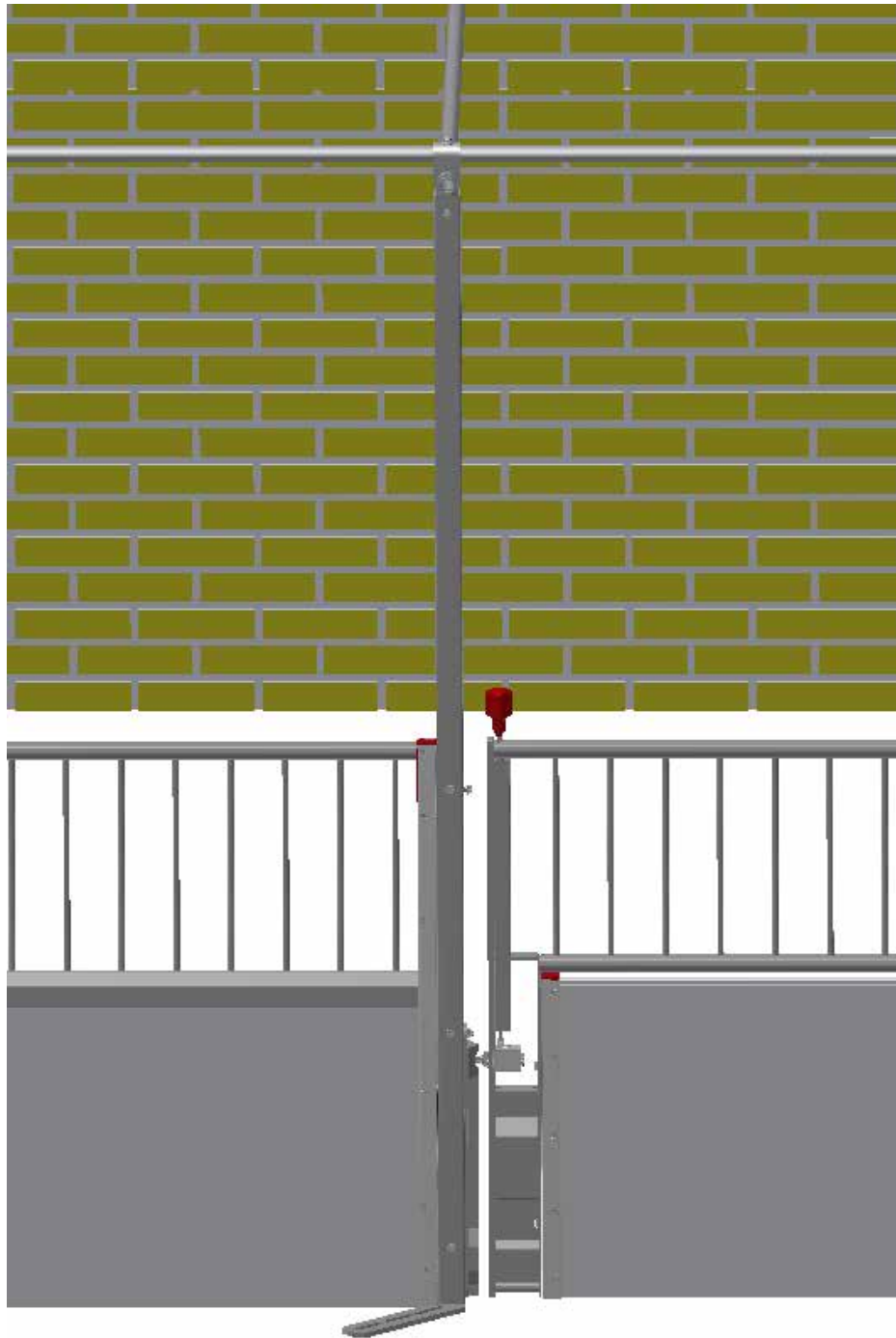
NO.	PCS.	ITEM NO.	DESCRIPTION
1	1	4000643	HIGH POST INCL. SCREWS AND NUTS
1.1	6	32510075	MACHINE SCREW M10X70 A2 QUAL.10.9 DIN 931
1.2	6	33900029	LOCK NUT M10 A2 DIN 985
1.3	1	4020643	HIGH POST
1.4	1	30308016	SET SCREW M8X16 A2 DIN 933
2	1	1900320	CROSS CONNECTION WITH 1" U-BOLT
3	1	1900080	CROSS CONNECTION 1"X1" WITH Ø38 MM PIPE, INCL BOLT

## MOUNTING OF GATE ON LOW/HIGH POST

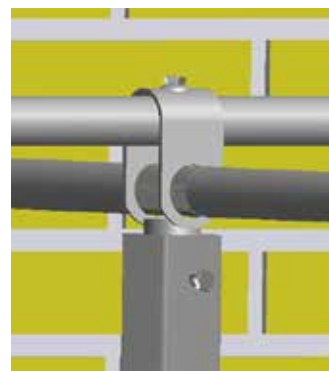
Gate **must be** mounted direct on cross



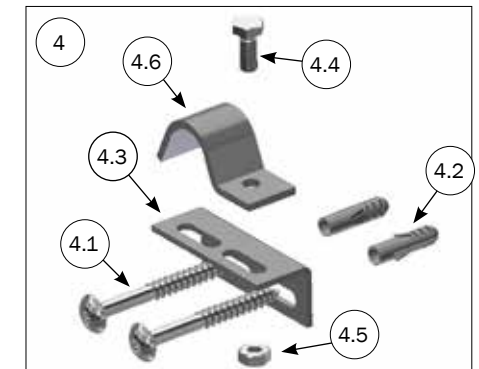
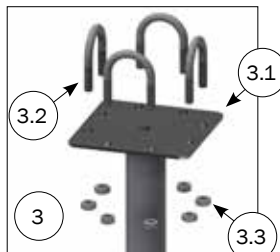
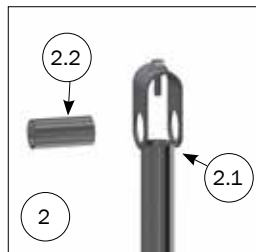
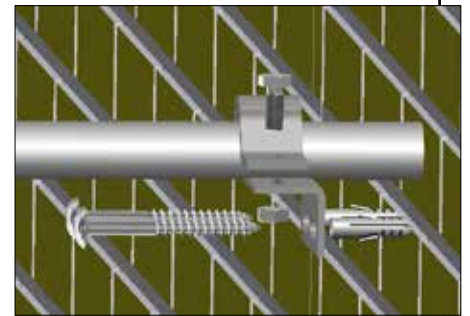
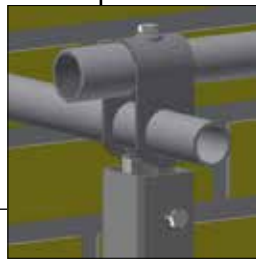
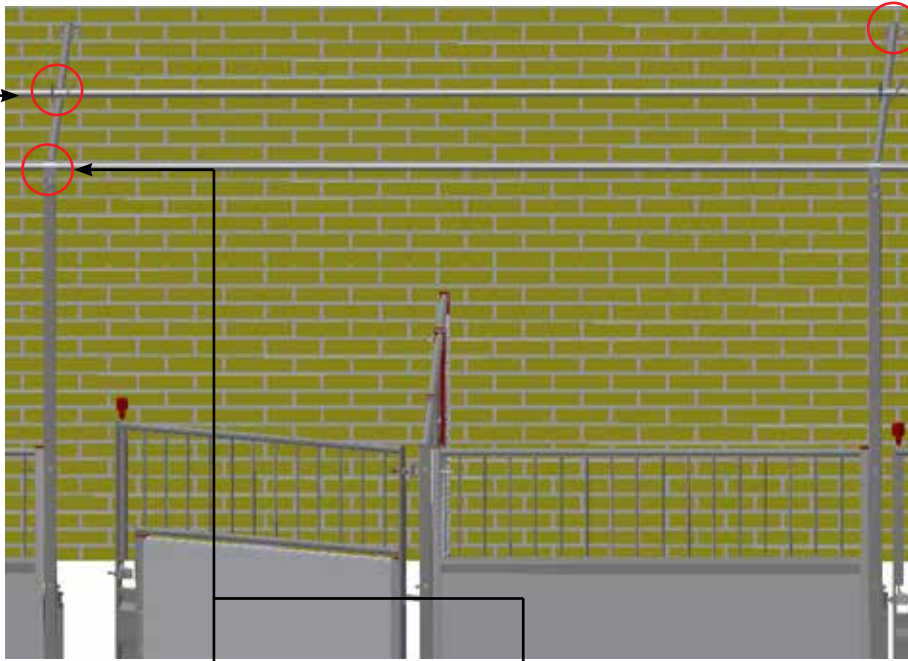
## MOUNTING OF PIPE ON HIGH POST



**PIPE 70 MM** is only in use when one pipe is mounted.



## MOUNTING OF PIPE

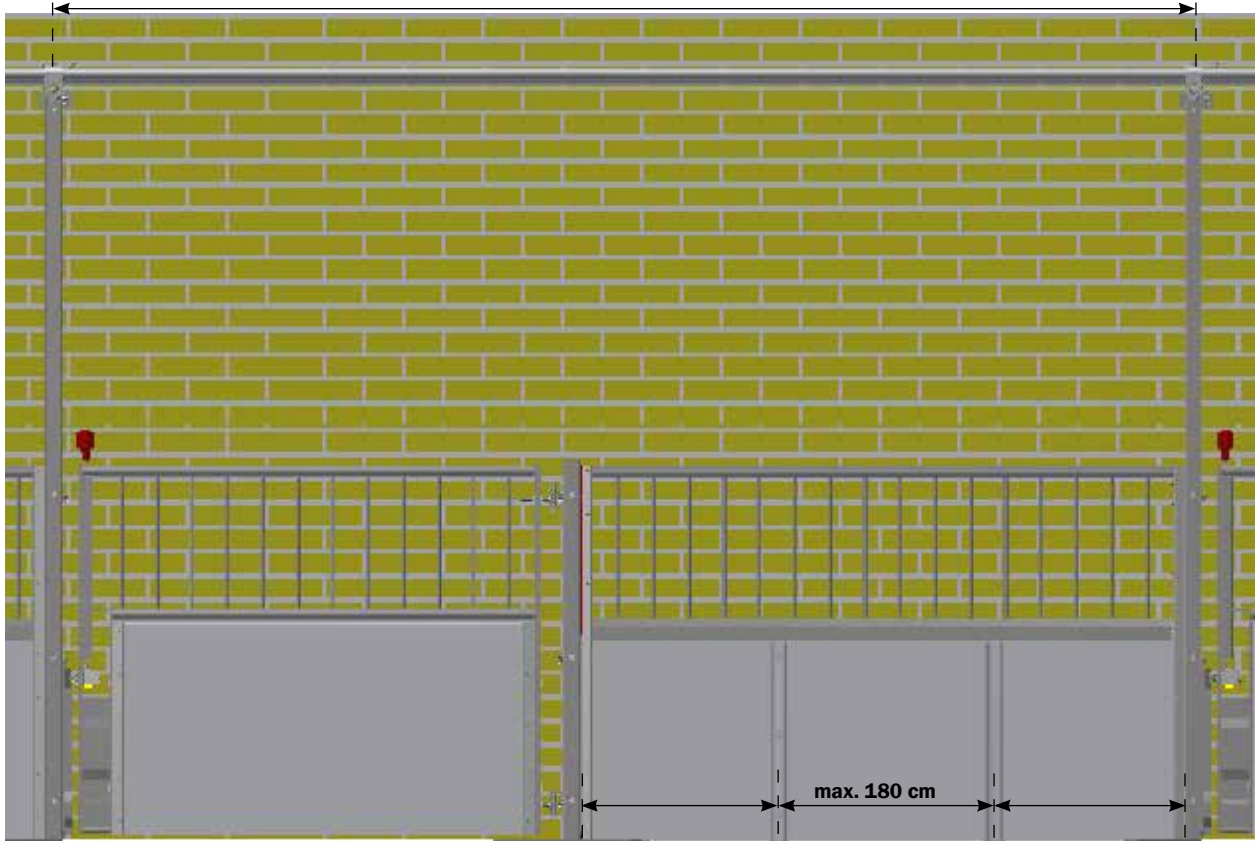


### PARTS LIST

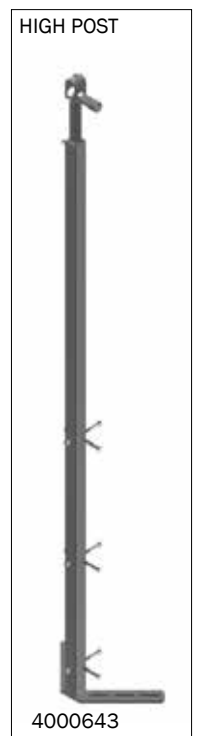
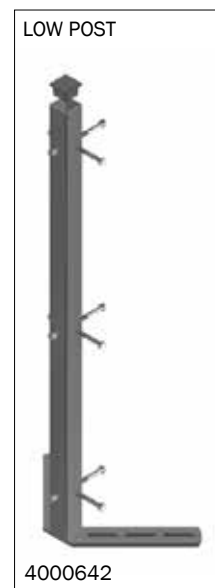
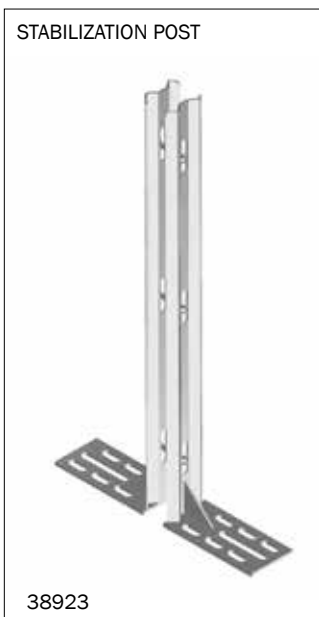
NO.	PCS.	ITEM NO.	DESCRIPTION
1	1	9930014	WINDING CLAMP 1"X1"
2	1	1900080	CROSS CONNECTION 1"X1" WITH Ø38 MM PIPE, INCL BOLT
2.1	1	1910080	DOG CLAMP WITH PIPE
2.2	1	8100240	1" GALVANIZED PIPE L=70 MM
3	1	1900320	CROSS CONNECTION WITH 1" U-BOLT
3.1	1	1920320	CROSS CONNECTION FOR 1" U-BOLT, SUPPORT
3.2	4	90100049	U-CLAMP 1" 8X50 MM GALVANIZED
3.3	8	33208014	NUT M8 HDG DIN 934
4	1	3900019	FITTING FOR WATERPIPE, COMPLETE
4.1	2	67444	10 X 70 BUTTON HEAD TORX 50 STAINLESS STEEL
4.2	2	39900001	WALL PLUG 12X60 MM
4.3	1	3920096	WALL FITTING FOR WATER PIPE
4.4	1	30310025	SET SCREW M10X25 A2 DIN 933
4.5	1	33510017	NUT M10 A2 DIN 934 WAXED
4.6	1	16375	PIPE RETAINER 1" WITHOUT BOLT

# STABILISERING

Recommended length between pipes is max. 3.5 m



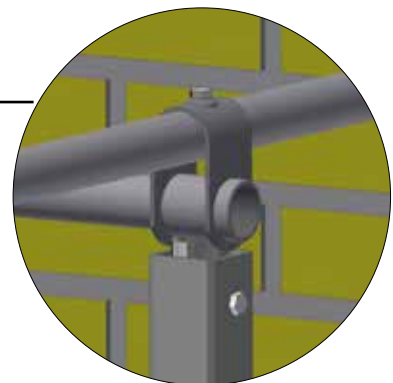
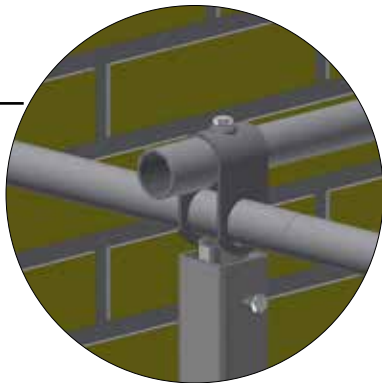
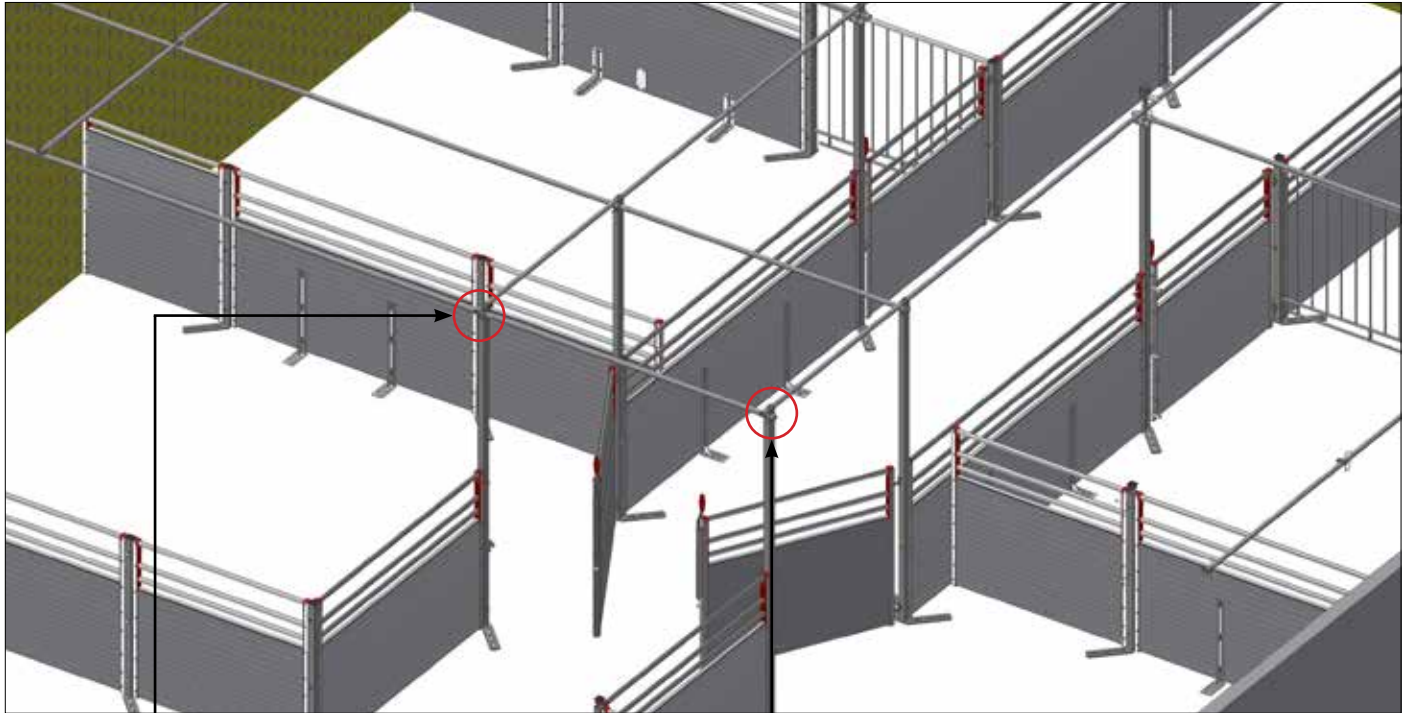
For stabilization of side must there for each 180 cm be mounted on post or base plate.



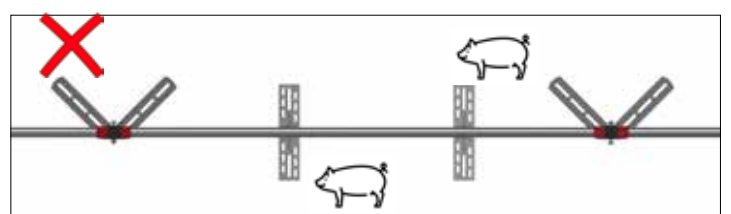
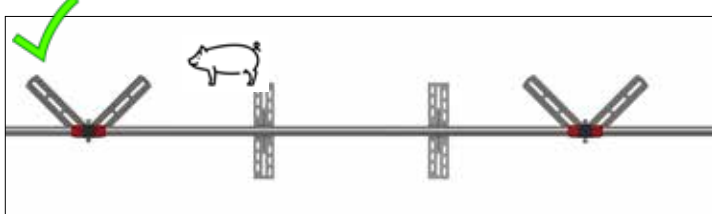
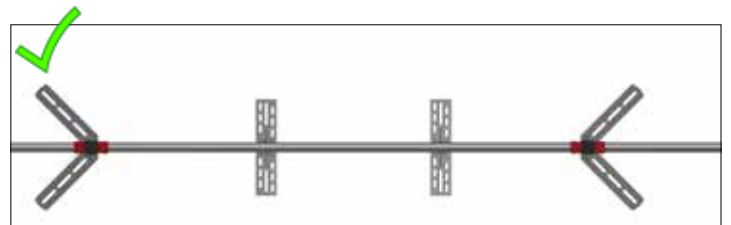
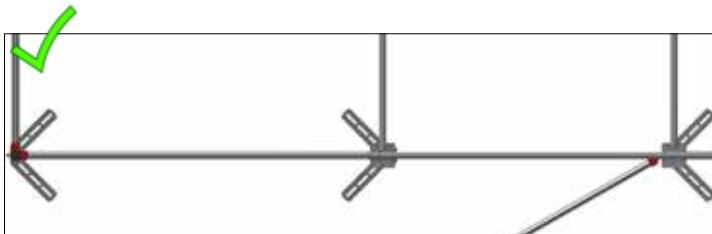


## STABILIZATION OF POSTS WHERE THE PIPE REACHES THE WALL

**ATTENTION!** Rules are exemplified with illustrations for INN-O-FLEX 35mm. The same rules apply to INN-O-FLEX 40mm

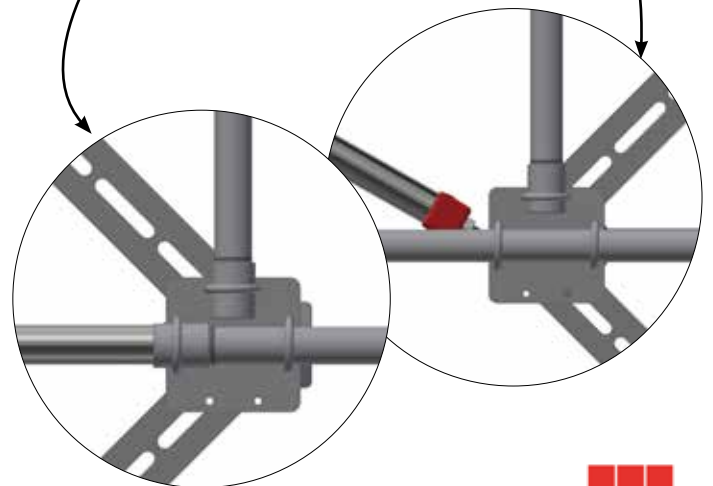
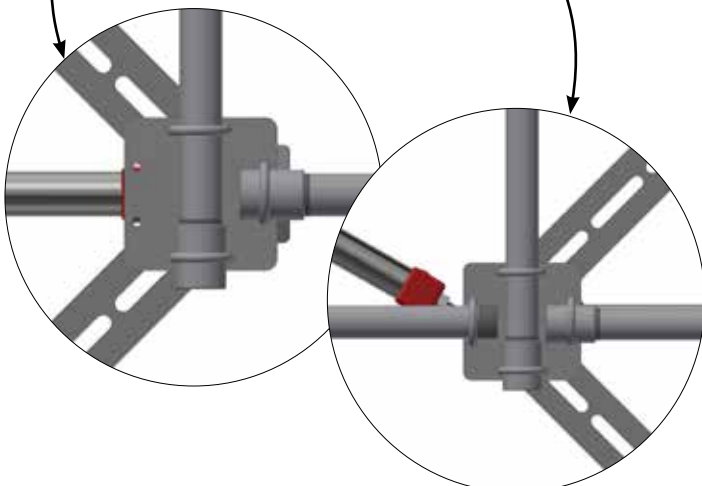
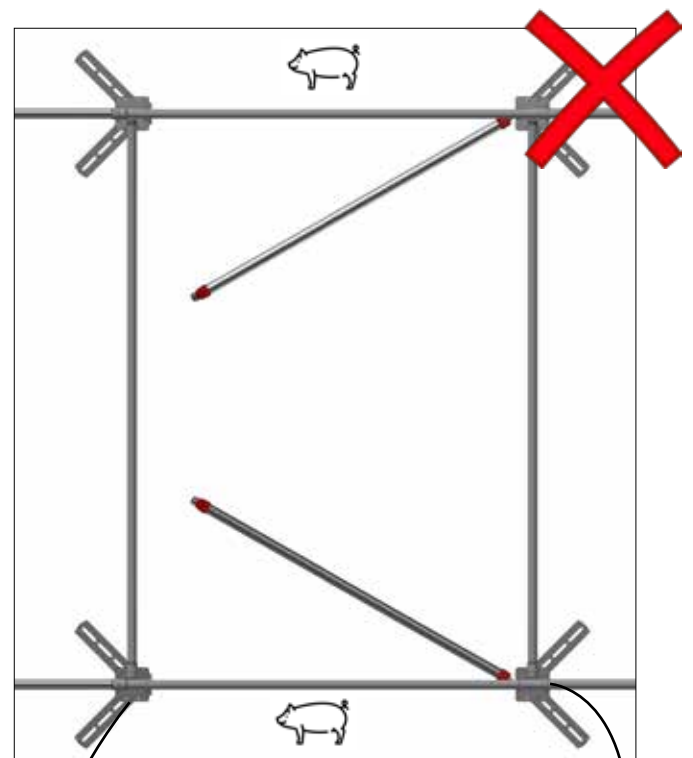
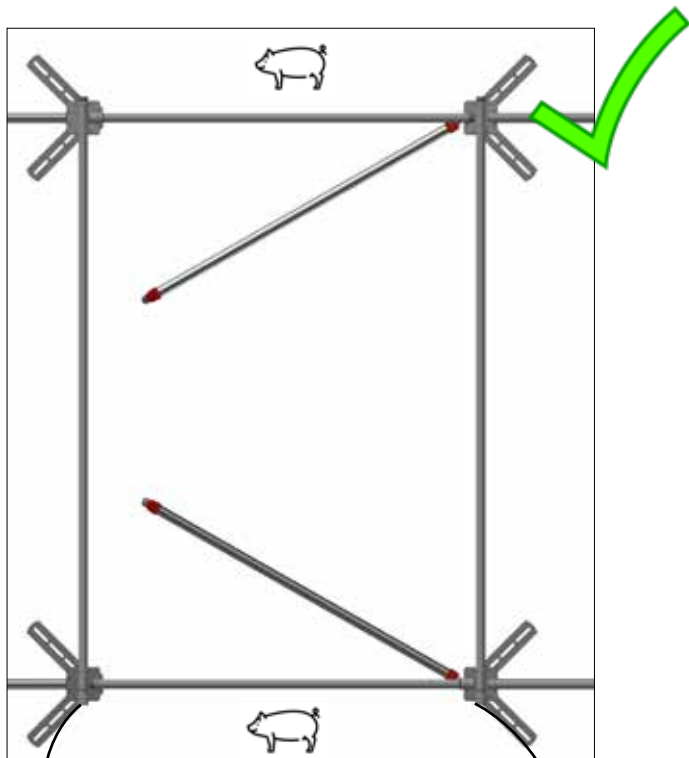
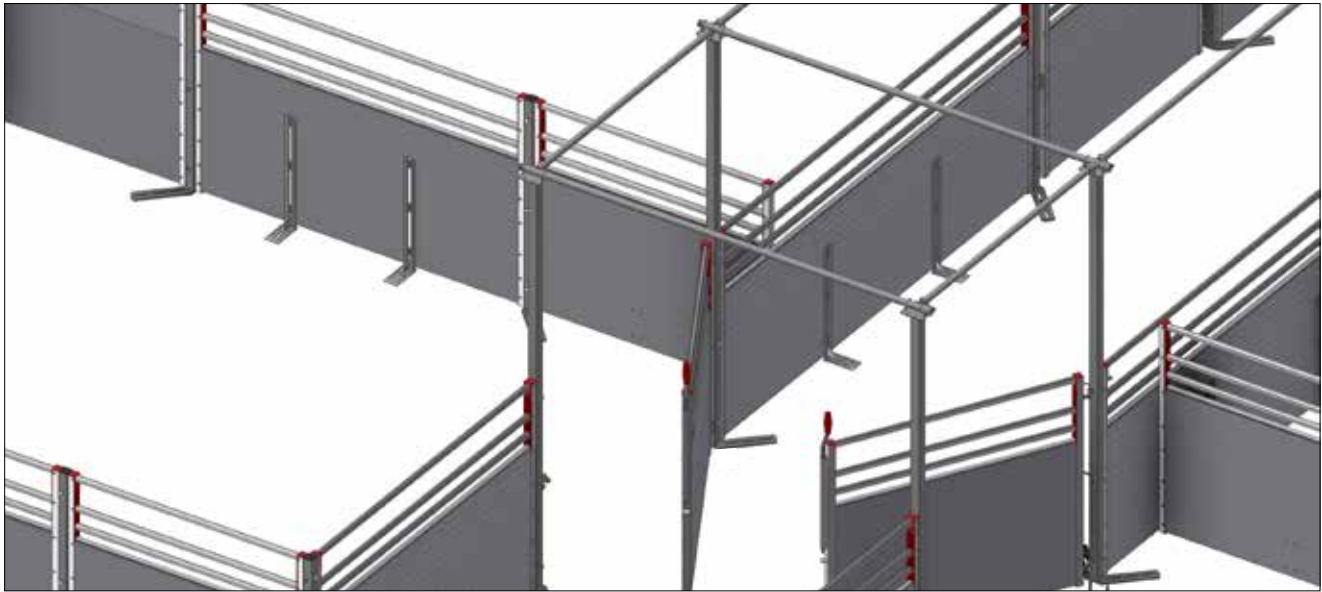


Direction of the post's footplate in relation to best stabilization

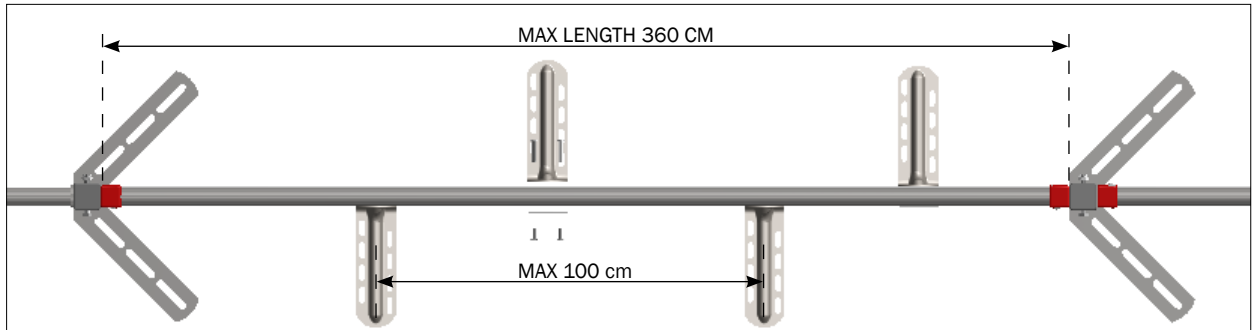


## STABILIZING POSTS WHERE THE PIPE CANNOT REACH THE WALL

**ATTENTION!** Rules are exemplified with illustrations for INN-O-FLEX 35mm. The same rules apply to INN-O-FLEX 40mm



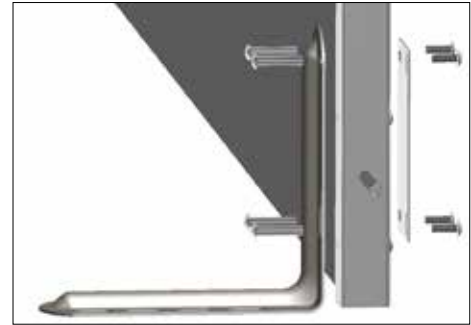
# STABILIZATION IN RESTING AREA WITH LOW SUPPORT FOUNDATION



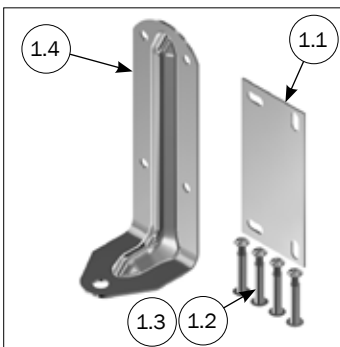
For stabilization in resting area must for each 100 cm be mounted:  
"4900802 or"4900806"



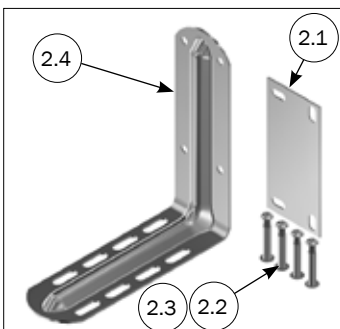
4900806  
SUPPORT FOUNDATION FOR CONCRETE  
CLEAN-O-FLEX



4900802  
SUPPORT FOUNDATION FOR SLATS  
CLEAN-O-FLEX

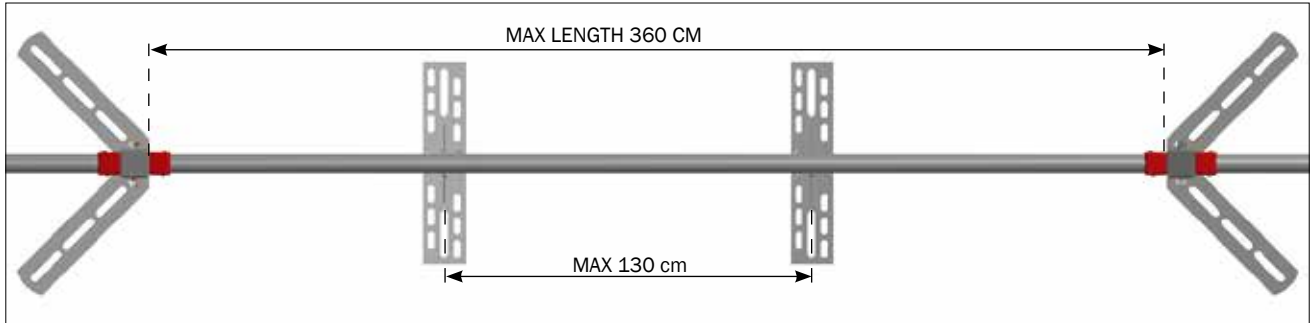


PARTS LIST			
NO.	PCS.	ITEM NO.	DESCRIPTION
1	1	4900806	SUPPORT FOUNDATION FOR CONCRETE CLEAN-O-FLEX
1.1	1	30903	ASSEMBLY BRACKET FLAT IRON, LARGE
1.2	4	39106020	CONNECTION SCREW M6X20 STAINLESS TORX 30
1.3	4	39206037	SPLICING SLEEVE M6X37 STAINLESS TORX 30
1.4	1	30806	SET SCREW M8X60 A2 DIN 933

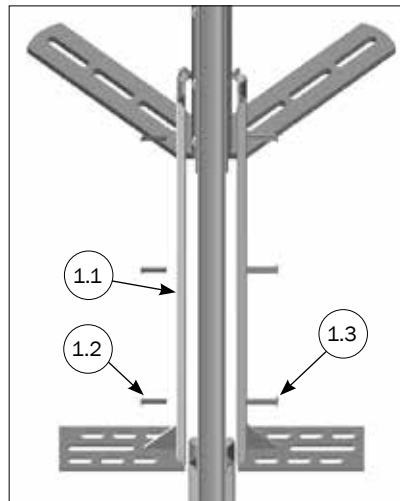


PARTS LIST			
NO.	PCS.	ITEM NO.	DESCRIPTION
2	1	4900802	SUPPORT FOUNDATION FOR SLATS CLEAN-O-FLEX
2.1	1	30903	ASSEMBLY BRACKET FLAT IRON, LARGE
2.2	4	39106020	CONNECTION SCREW M6X20 STAINLESS TORX 30
2.3	4	39206037	SPLICING SLEEVE M6X37 STAINLESS TORX 30
2.4	1	30802	SINGLE FOOTBRACKET FOR SLATS

## STABILIZATION IN RESTING AREA WITH POST FOR BOARDPROFILE



For stabilization in resting area must there for each 130 cm be mounted: "38923"



38923  
STABILIZATION POST BOARDPROFILE H75/  
H100 EX. BOLT FOR FLOOR



### PARTS LIST

NO.	PCS.	ITEM NO.	DESCRIPTION
1	1	38923	STABILIZATION POST BOARDPROFILE H75/H100 EX. BOLT FOR FLOOR
1.1	2	38910	STABILIZATIONS POST H75 CLEAN-O-FLEX 63 CM
1.2	3	39106020	CONNECTION SCREW M6X20 STAINLESS TORX 30
1.3	3	39206037	SPLICING SLEEVE M6X37 STAINLESS TORX 30