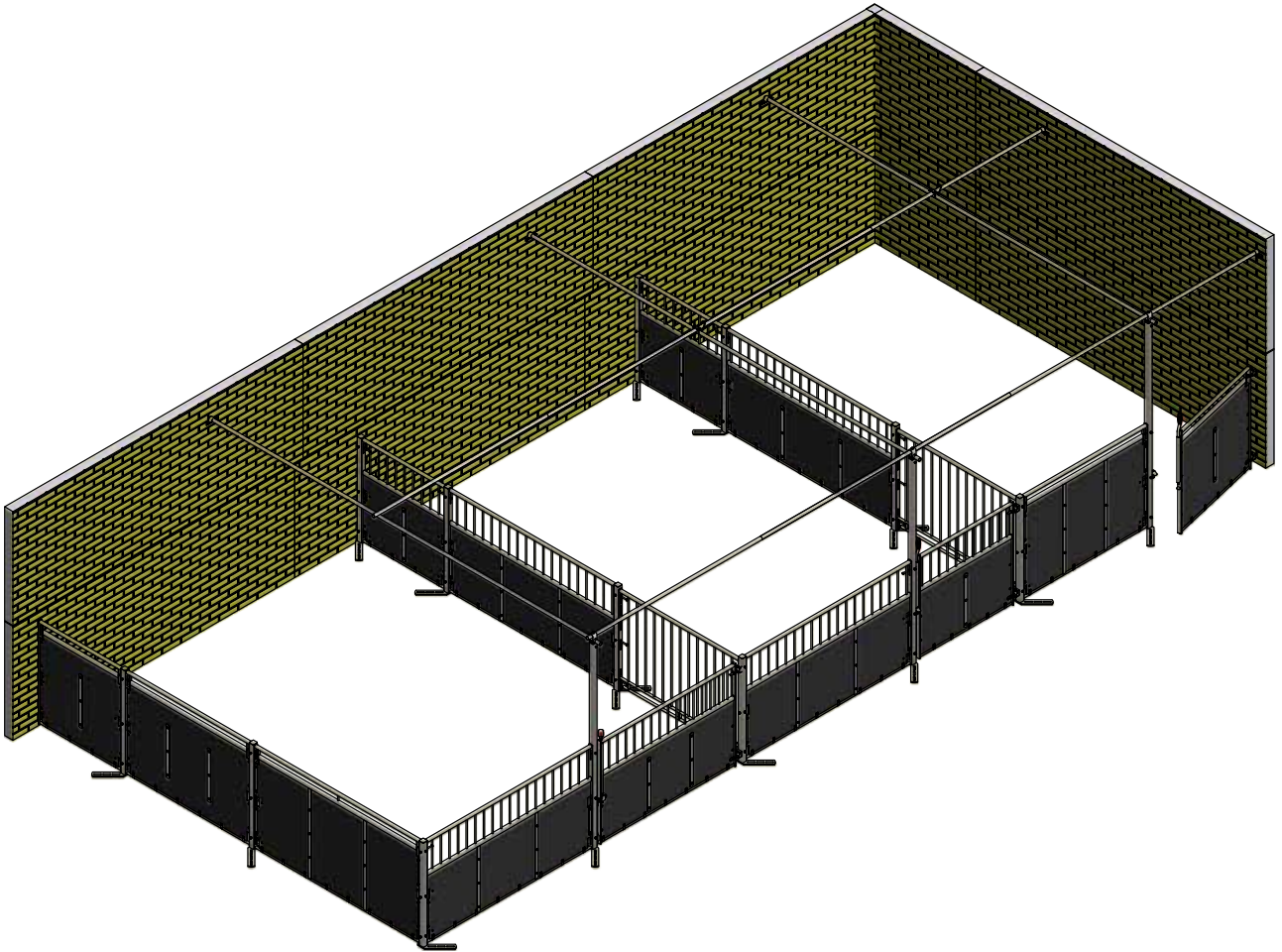


MOUNTING INSTRUCTION



INN-O-FLEX
10 MM

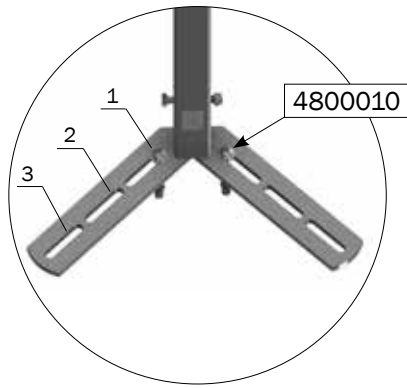


ACO FUNKI A/S
Kirkevænget 5
DK-7400 Herning

Tel. +45 9711 9600
Fax +45 9711 9677
www.acofunki.com

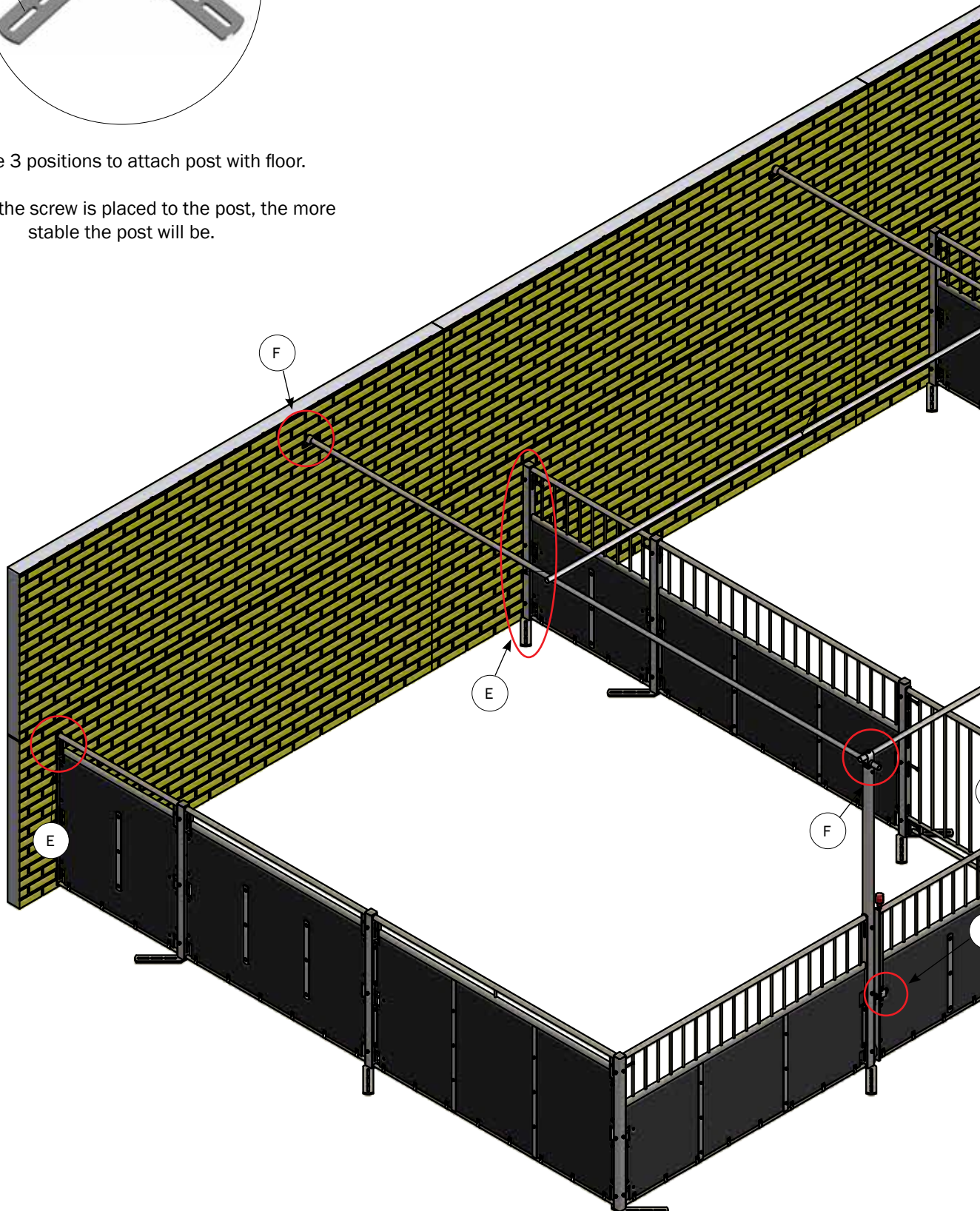
DANISH DESIGN | GERMAN QUALITY | GLOBAL EXPERIENCE

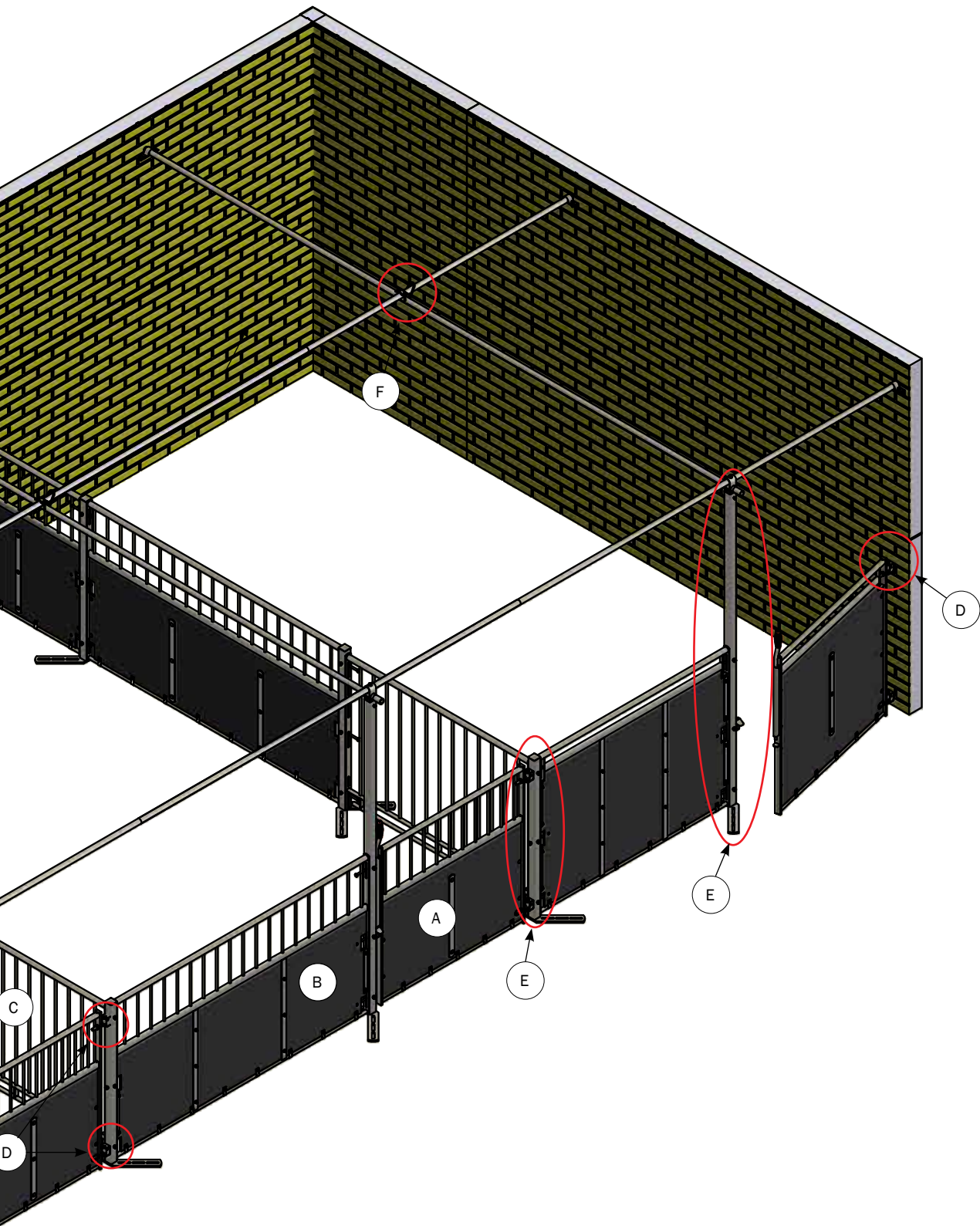
PRODUCT AND MOUNTING OVERVIEW FOR INN-O-FLEX 10MM



Can use 3 positions to attach post with floor.

The closer the screw is placed to the post, the more stable the post will be.

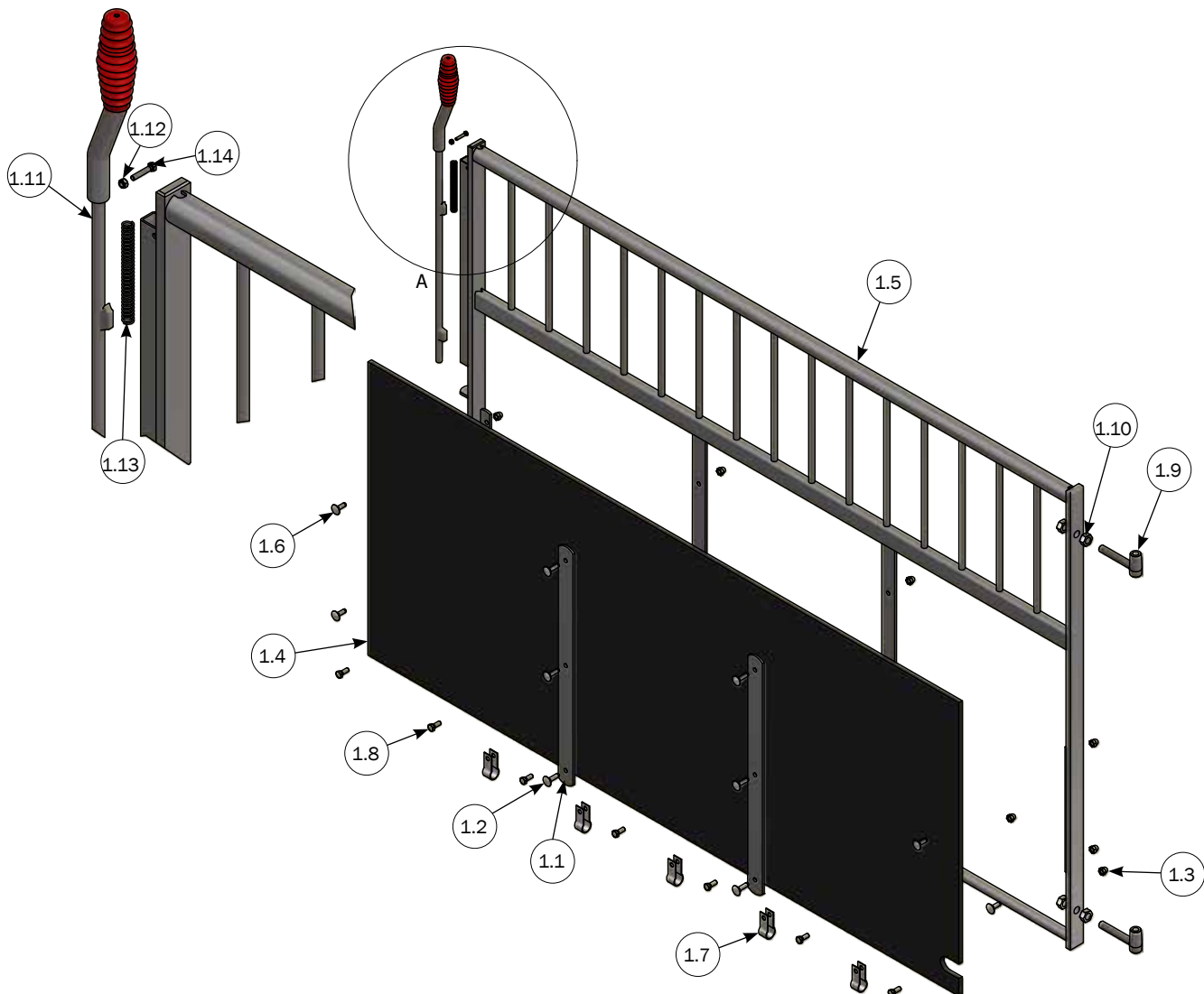




NO.	PAGE	DESCRIPTION
A	4-9	PARTS LIST OF GATE
B	10-13	PARTS LIST OF SIDE
C	14-15	GRILLE OVERVIEW
D	16-20	MOUNTING OF GATE
E	21-22	MOUNTING OG LOW/HIGH POST
F	23-26	MOUNTING OF STABILIZATIONPIPE

GATE FOR INN-O-FLEX 10 MM H110 GRILLE/PLATE 1600-1790 MM WITH PIN LOCK

A (0.40 : 1)

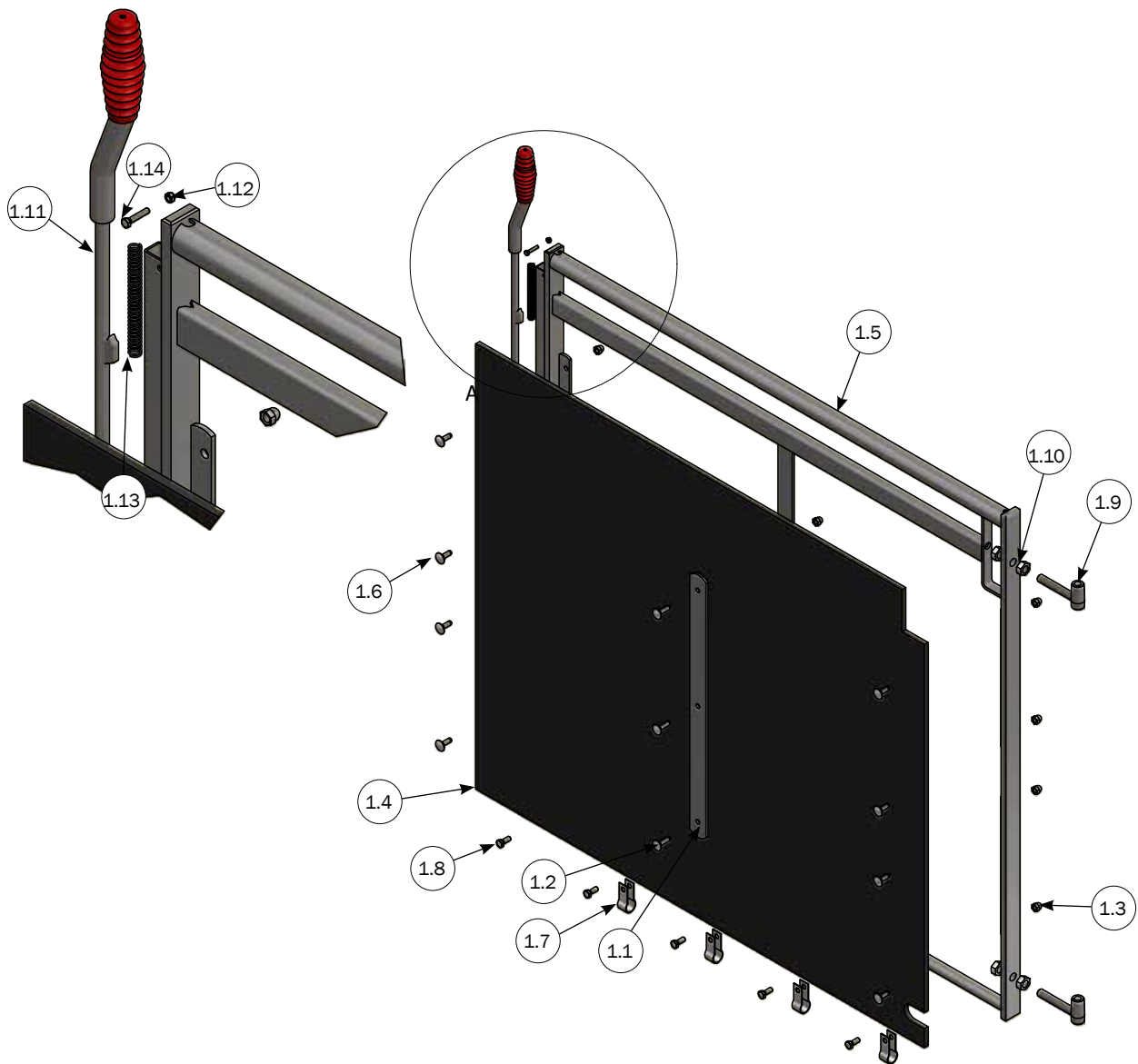


NO.	ITEM NO.	DESCRIPTION
1	4010598	GATE H110 PLATE/GRILLE 1600-1790 MM WITH PIN LOCK, INN-O-FLEX 10
1.1	4920410	BACKSTOP H560
1.2	36308030	MUSHROOMHEADED BOLT M8X30 A2 DIN 603
1.3	33208001	CAP NUT M8 A2 DIN 1587
1.4	8460537	PLATE 10 MM H690 L1600-1790 MM GATE WITH PIN LOCK
1.5	4020598	GATE H110 GRILLE/PLATE 1600-1790 MM FOR PIN LOCK
1.6	36308025	MUSHROOMHEADED BOLT M8X25 A2 DN 603
1.7	97079	U-BRACKET RECO PLATE
1.8	30308020	SET SCREW M8X20 A2 DIN 933
1.9	4550427	INN-O-FLEX STUD BOLT COMPLET
1.10	68598	NUT M14 SS
1.11	4105183	PIN LOCK FOR GATE INCL. GRIP
1.12	33905000	LOCK NUT M5 A2 DIN 985
1.13	9929004	COMPRESSION SPRING 1,6X12X115 MM
1.14	30305025	SET SCREW M5X25 A2 DIN 933



GATE FOR INN-O-FLEX 10 MM H110 PLATE 1200-1790 MM WITH PIN LOCK

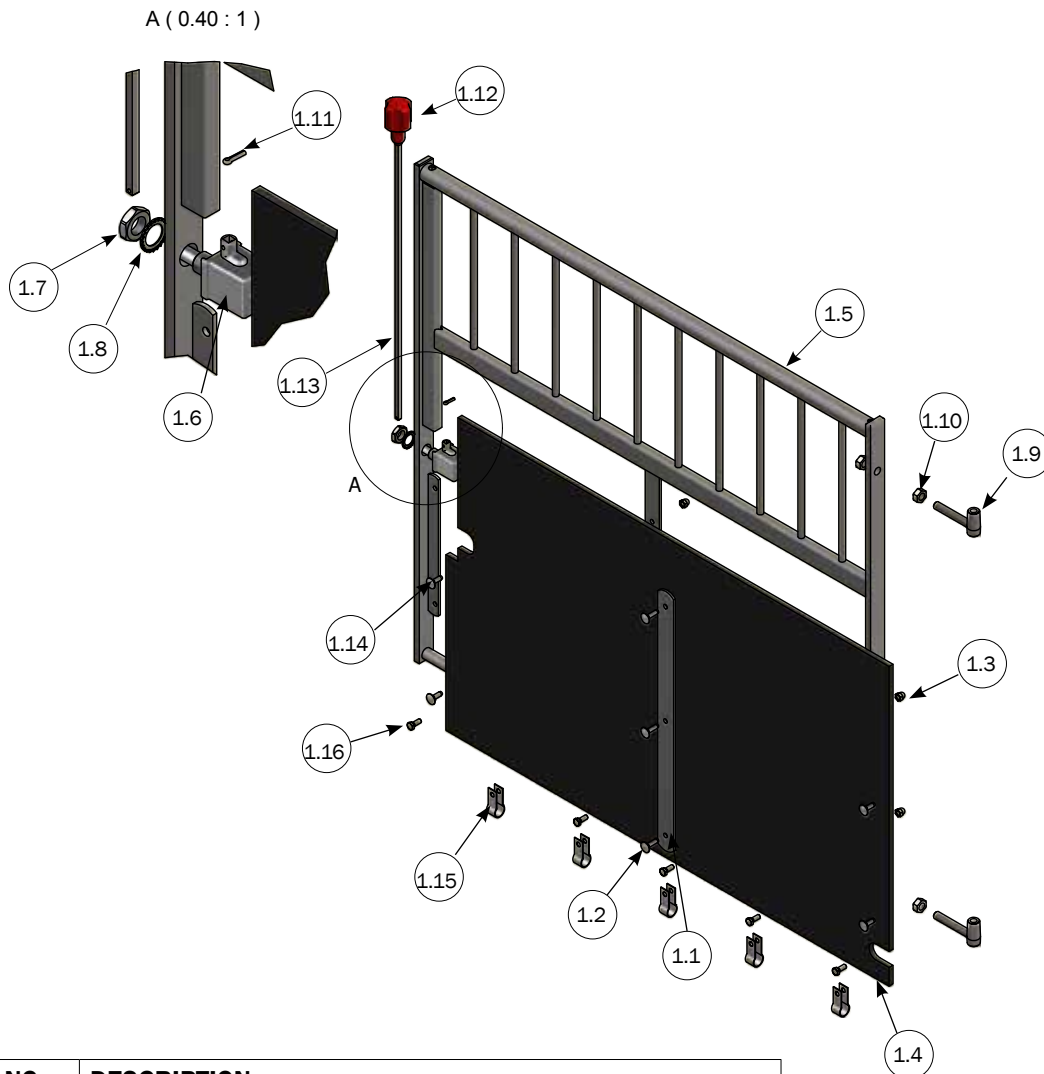
A (0.40 : 1)



NO.	ITEM NO.	DESCRIPTION
	4010588	GATE H110 PLATE 1600-1790 MM WITH PIN LOCK, INN-O-FLEX 10
	4010587	GATE H110 PLATE 1400-1590 MM WITH PIN LOCK, INN-O-FLEX 10
1	4010586	GATE H110 PLATE 1200-1390 MM WITH PIN LOCK, INN-O-FLEX 10
1.1	4920410	BACKSTOP H560
1.2	36308030	MUSHROOMHEADED BOLT M8X30 A2 DIN 603
1.3	33208001	CAP NUT M8 A2 DIN 1587
1.4	8460535	PLATE 10 MM H690 L1200-1390 MM GATE WITH PIN LOCK
1.5	4020596	GATE H110 GRILL/PLATE 1200-1390 MM FOR PIN LOCK
1.6	36308025	MUSHROOMHEADED BOLT M8X25 A2 DN 603
1.7	97079	U-BRACKET RECO PLATE
1.8	30308020	SET SCREW M8X20 A2 DIN 933
1.9	4550427	INN-O-FLEX STUD BOLT COMPLET
1.10	68598	NUT M14 SS
1.11	4105183	PIN LOCK FOR GATE INCL. GRIP
1.12	33905000	LOCK NUT M5 A2 DIN 985
1.13	9929004	COMPRESSION SPRING 1,6X12X115 MM
1.14	30305025	SET SCREW M5X25 A2 DIN 933



GATE FOR INN-O-FLEX 10 MM H110 PLATE/GRILLE 1200-1790 MM WITH TWIST

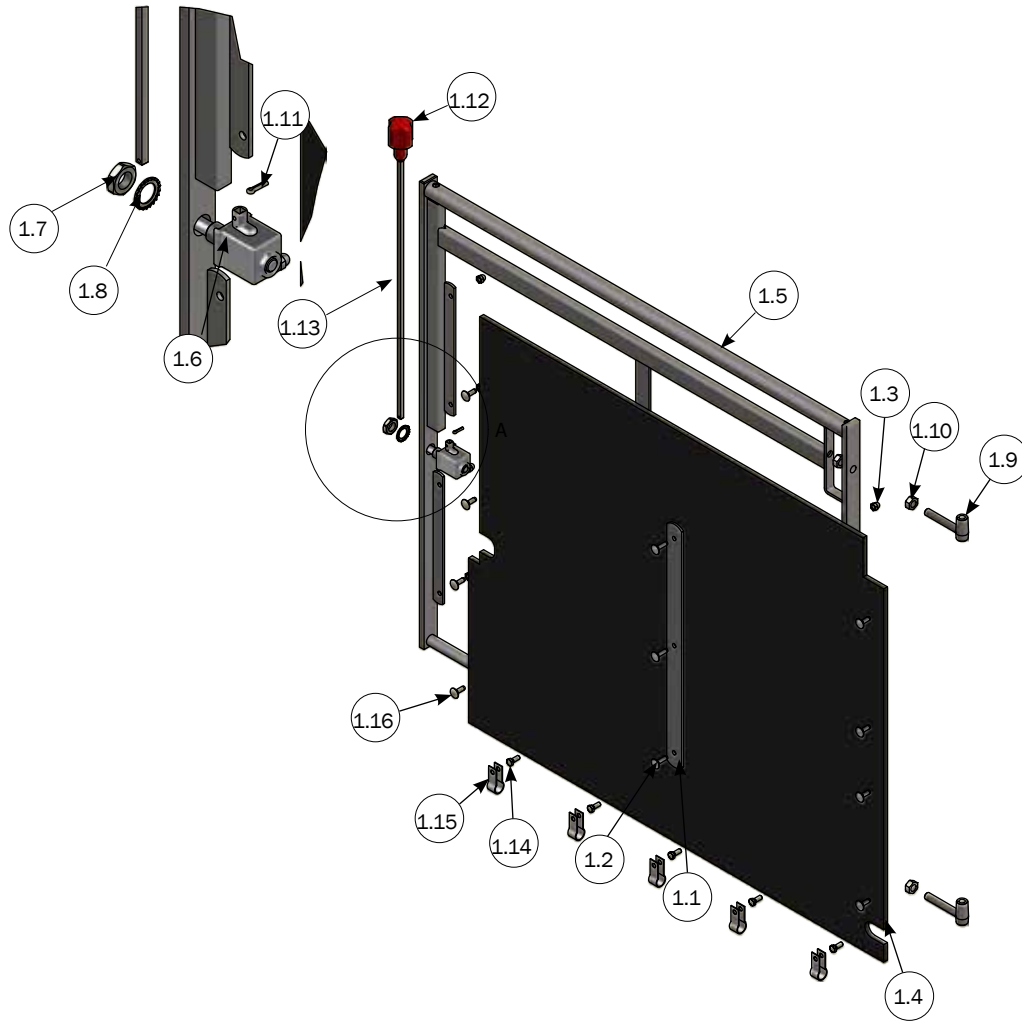


NO.	ITEM NO.	DESCRIPTION
	4010578	GATE H110 PLATE/GRILL 1600-1790 MM WITH TWIST, INN-O-FLEX 10
	4010577	GATE H110 PLATE/GRILL 1400-1590 MM WITH TWIST, INN-O-FLEX 10
1	4010576	GATE H110 PLATE/GRILL 1200-1390 MM WITH TWIST, INN-O-FLEX 10
1.1	4920410	BACKSTOP H560
1.2	36308030	MUSHROOMHEADED BOLT M8X30 A2 DIN 603
1.3	33208001	CAP NUT M8 A2 DIN 1587
1.4	8460521	PLATE 10 MM H690 L1200-1390 MM FOR GATE WITH TWIST
1.5	4020576	GATE H110 GRILL/PLATE 1200-1390 MM FOR TWIST
1.6	17120	CASE TURN LOCK
1.7	68593	LOCK NUT A2 20 X 1,5
1.8	68763	LOCK WASHER 20 MM DIN6798A
1.9	4550427	INN-O-FLEX STUD BOLT COMPLET
1.10	68598	NUT M14 SS
1.11	68895	4 X 20 RIVET
1.12	30020	KNOB TURN ROD CLEAN-O-FLEX®/INN-O-FLEX
1.13	8050114	TURN ROD 645 MM
1.14	36308025	MUSHROOMHEADED BOLT M8X25 A2 DN 603
1.15	97079	U-BRACKET RECO PLATE
1.16	30308020	SET SCREW M8X20 A2 DIN 933



GATE FOR INN-O-FLEX 10 MM H110 PLATE 1200-1790 MM WITH TWIST

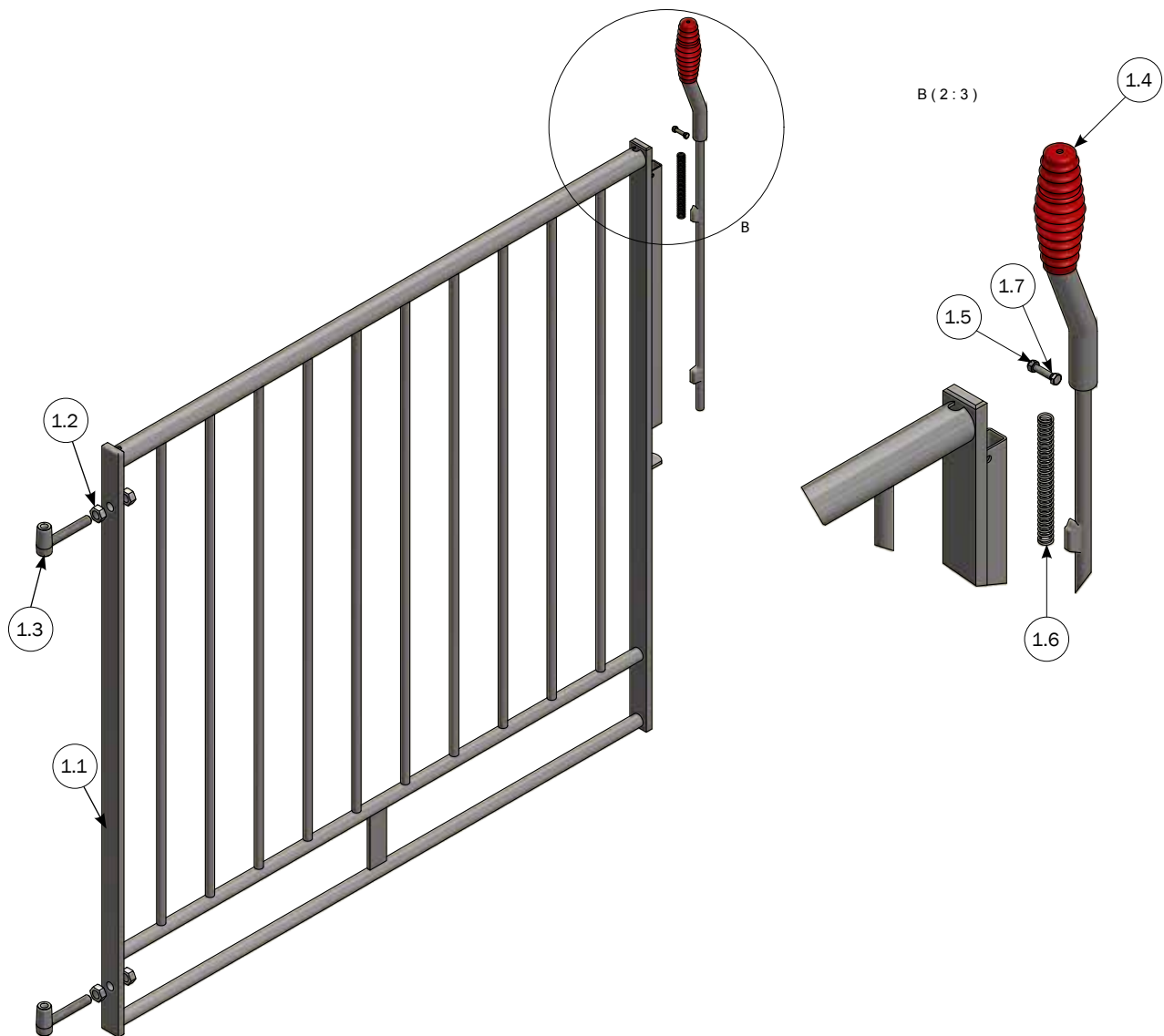
A (0.40 : 1)



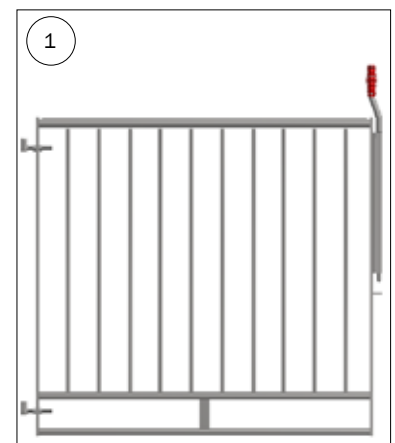
NO.	ITEM NO.	DESCRIPTION
	4010568	GATE H110 PLATE 1600-1790 MM WITH TWIST, INN-O-FLEX 10
	4010567	GATE H110 PLATE 1400-1590 MM WITH TWIST, INN-O-FLEX 10
1	4010566	GATE H110 PLATE 1200-1390 MM WITH TWIST, INN-O-FLEX 10
1.1	4920410	BACKSTOP H560
1.2	36308030	MUSHROOMHEADED BOLT M8X30 A2 DIN 603
1.3	33208001	CAP NUT M8 A2 DIN 1587
1.4	8460538	PLATE 10 MM H950 L1200-1390 MM FOR GATE WITH TWIST
1.5	4020566	GATE H110 1 BAR/PLATE 1200-1390 MM FOR TWIST
1.6	17120	CASE TURN LOCK
1.7	68593	LOCK NUT A2 20 X 1,5
1.8	68763	LOCK WASHER 20 MM DIN6798A
1.9	4550427	INN-O-FLEX STUD BOLT COMPLET
1.10	68598	NUT M14 SS
1.11	68895	4 X 4 X 20 RIVET
1.12	30020	KNOB TURN ROD CLEAN-O-FLEX®/INN-O-FLEX
1.13	8050114	TURN ROD 645 MM
1.14	36308025	MUSHROOMHEADED BOLT M8X25 A2 DN 603
1.15	97079	U-BRACKET RECO PLATE
1.16	30308020	SET SCREW M8X20 A2 DIN 933



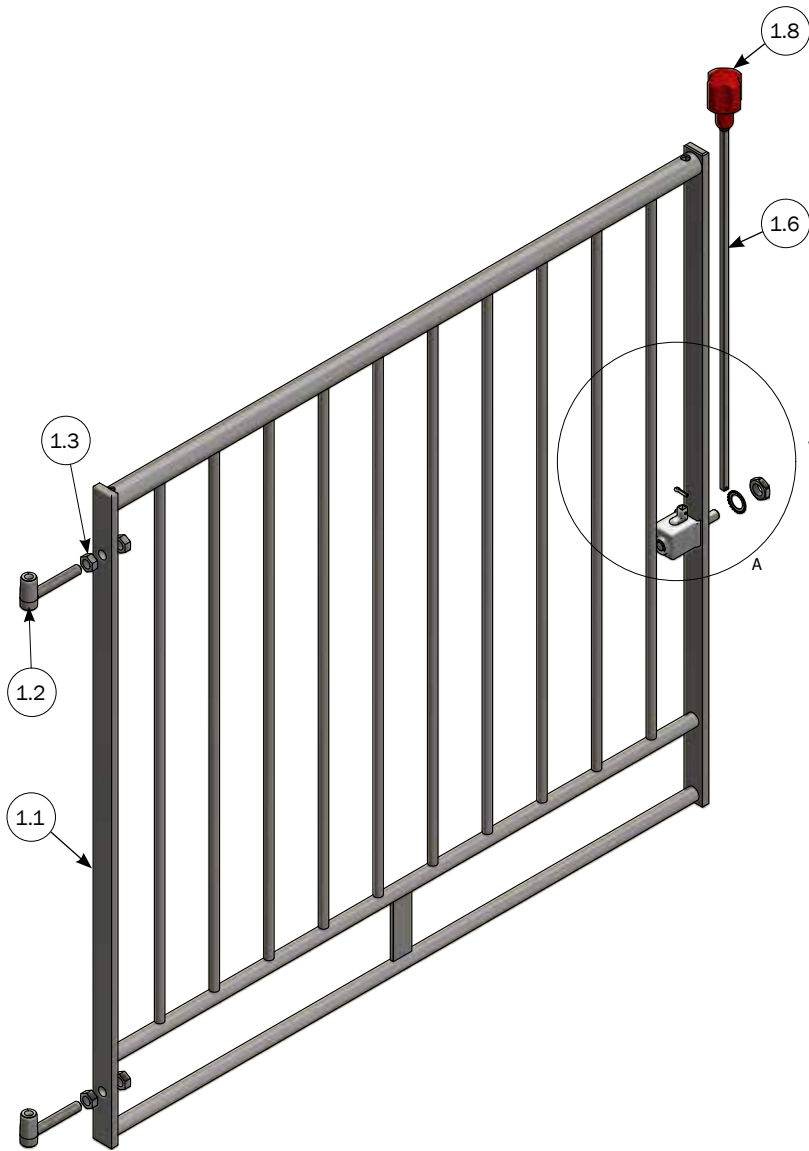
GRILLE GATE FOR INN-O-FLEX 10 MM H110 WITH PIN LOCK



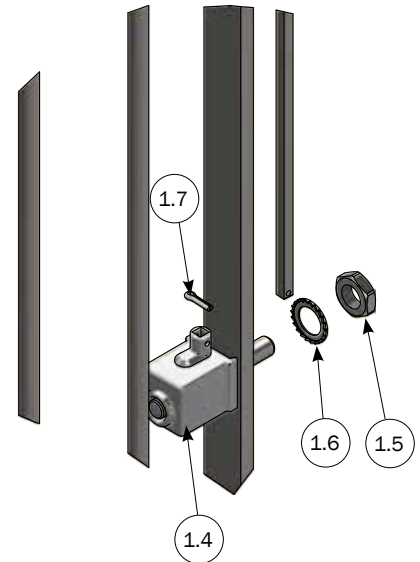
NO.	ITEM NO.	DESCRIPTION
	4010638	GATE H110 GRILLE L1250-1750 MM WITH PIN LOCK, INN-O-FLEX
	4010637	GATE H110 GRILLE L1750 MM WITH PIN LOCK, INN-O-FLEX
	4010636	GATE H110 GRILLE L1450 MM WITH PIN LOCK, INN-O-FLEX
1	4010635	GATE H110 GRILLE L1250 MM WITH PIN LOCK, INN-O-FLEX
1.1	4020635	GRILLE 1250 MM FOR PIN LOCK
1.2	4550427	INN-O-FLEX STUD BOLT COMPLET
1.3	68598	NUT M14 SS
1.4	4105183	PIN LOCK FOR GATE INCL. GRIP
1.5	33905000	LOCK NUT M5 A2 DIN 985
1.6	9929004	COMPRESSION SPRING 1,6X12X115 MM
1.7	30305025	SET SCREW M5X25 A2 DIN 933



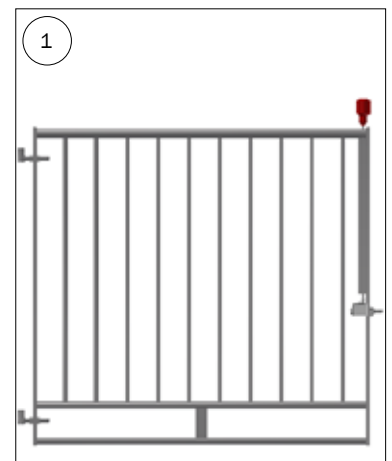
GRILLE GATE FOR INN-O-FLEX 10 MM H110 WITH TWIST



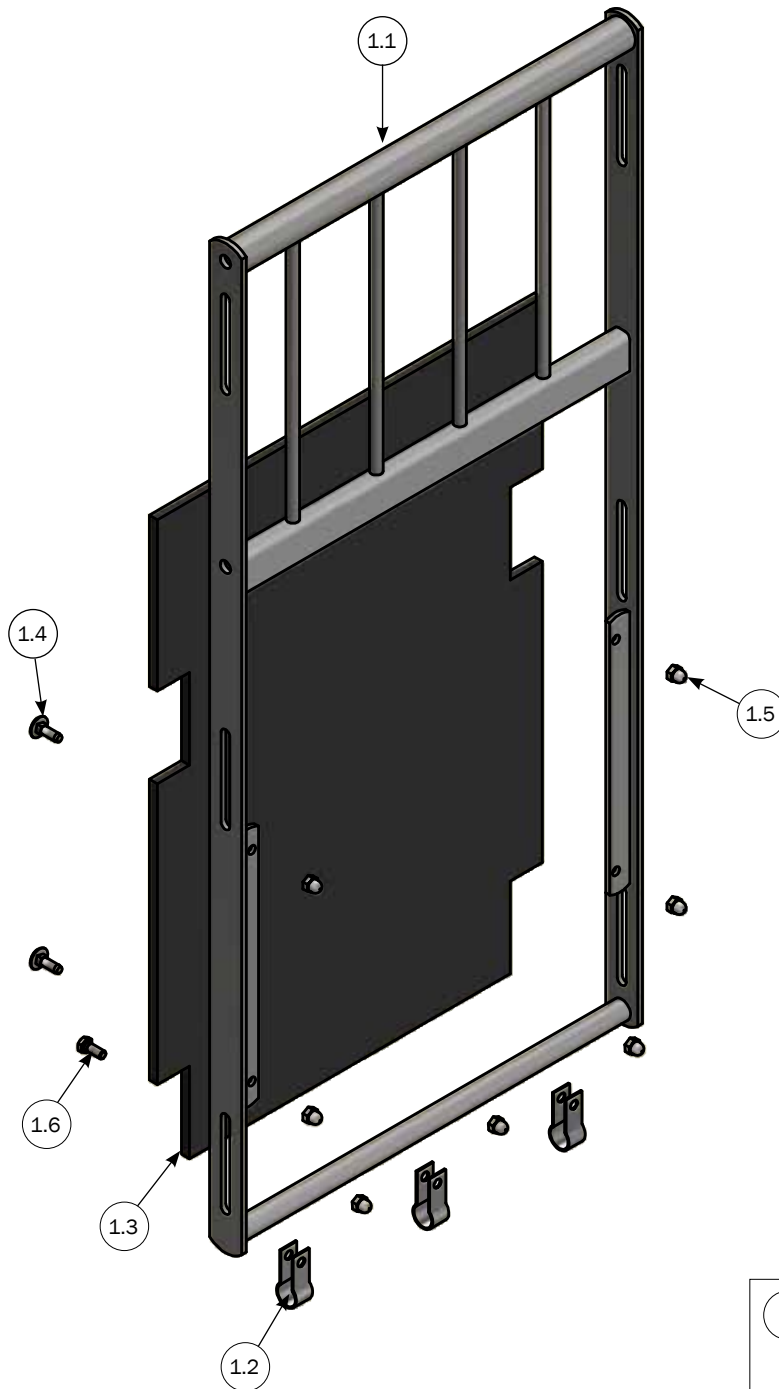
A (2:3)



NO.	ITEM NO.	DESCRIPTION
	4010648	GATE H110 GRILLE L1250-1750 MM WITH TWIST, INN-O-FLEX
	4010647	GATE H110 GRILLE L1750 MM WITH TWIST, INN-O-FLEX
	4010646	GATE H110 GRILLE L1450 MM WITH TWIST, INN-O-FLEX
1	4010645	GATE H110 GRILLE L1250 MM WITH TWIST, INN-O-FLEX
1.1	4020645	GRILLE GATE 1250 MM FOR TWIST
1.2	4550427	INN-O-FLEX STUD BOLT COMPLET
1.3	68598	NUT M14 SS
1.4	17120	CASE TURN LOCK
1.5	68593	LOCK NUT A2 20 X 1,5
1.6	68763	LOCK WASHER 20 MM DIN6798A
1.7	68895	4 X 20 RIVET
1.8	30020	KNOB TURN ROD CLEAN-O-FLEX®/INN-O-FLEX
1.9	8050114	TURN ROD 645 MM

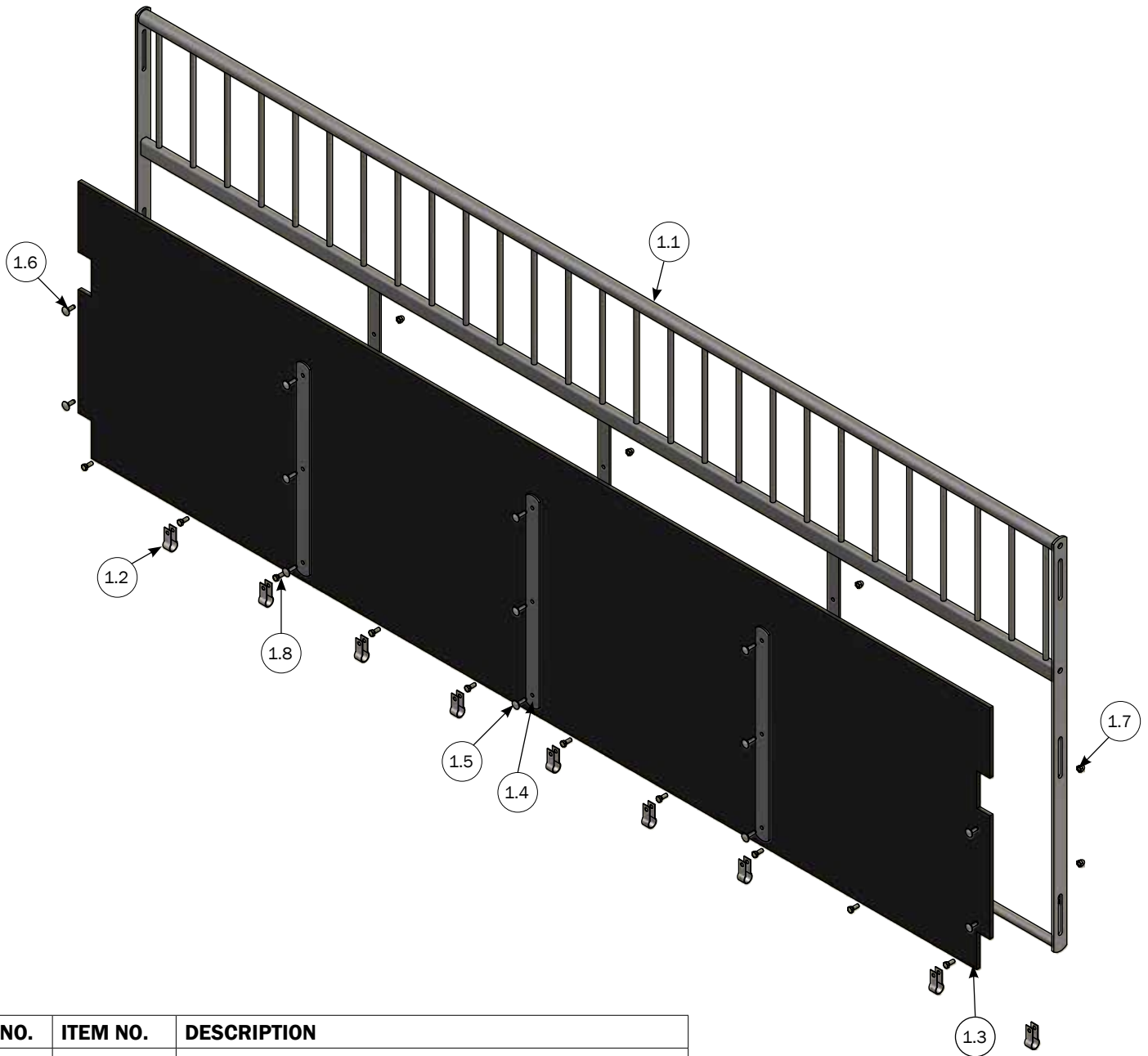


SIDE FOR INN-O-FLEX 10 MM H110 PLATE/GRILLE 0-500 MM

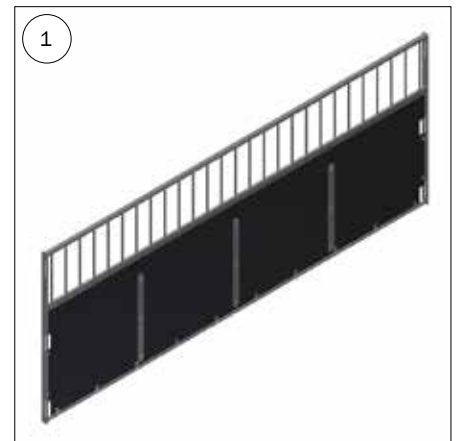


NO.	ITEM NO.	DESCRIPTION
1	4010590	SIDE H110 PLATE/GRILLE 0-500 MM, INN-O-FLEX 10
1.1	4020590	PARTITION H110 GRILLE/PLATE 0-500 MM
1.2	97079	U-BRACKET RECO PLATE
1.3	8460515	PLATE 10 MM H710 L0-500 MM
1.4	36308025	MUSHROOMHEADED BOLT M8X25 A2 DN 603
1.5	33208001	CAP NUT M8 A2 DIN 1587
1.6	30308020	SET SCREW M8X20 A2 DIN 933

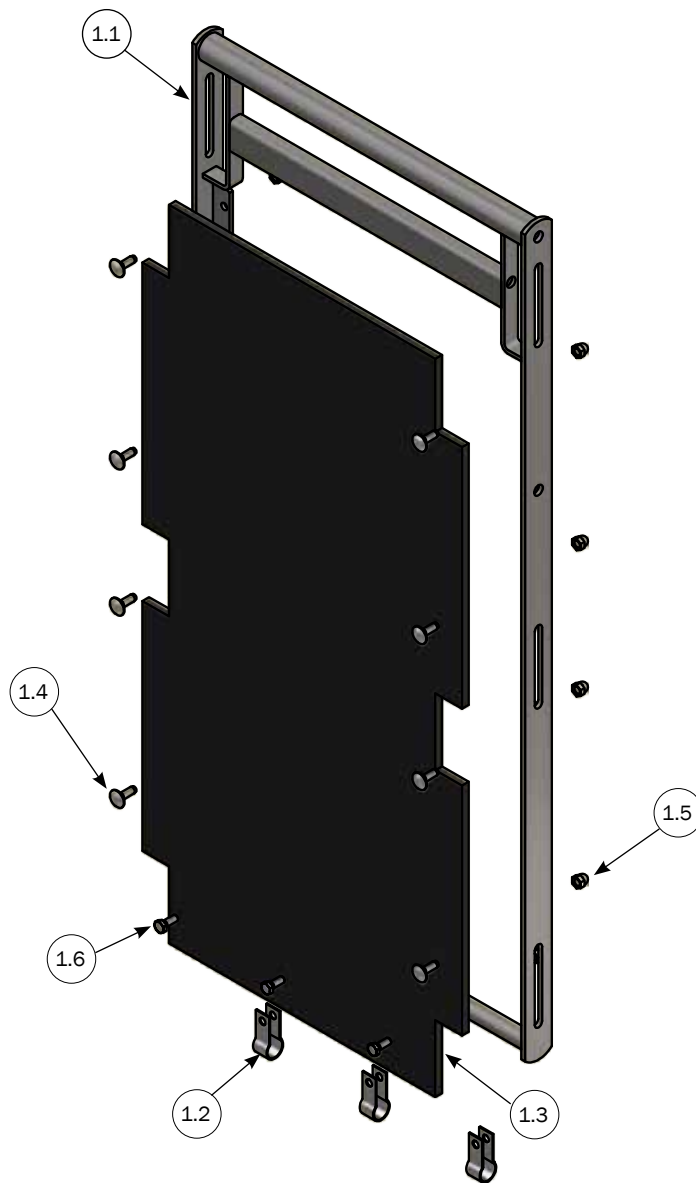
SIDE FOR INN-O-FLEX 10 MM H110 PLATE/GRILLE 501-2800 MM



NO.	ITEM NO.	DESCRIPTION
	4010591	SIDE H110 PLATE/GRILLE 501-1000 MM, INN-O-FLEX 10
	4010592	SIDE H110 PLATE/GRILLE 1001-1500 MM, INN-O-FLEX 10
	4010593	SIDE H110 PLATE/GRILLE 1501-2000 MM, INN-O-FLEX 10
	4010594	SIDE H110 PLATE/GRILLE 2001-2500 MM, INN-O-FLEX 10
1	4010595	SIDE H110 PLATE/GRILLE 2501-2800 MM, INN-O-FLEX 10
1.1	4020595	PARTITION H110 GRILLE/PLATE 2500-2800 MM
1.2	97079	U-BRACKET RECO PLATE
1.3	8460520	PLATE 10 MM H710 L2500-2800 MM
1.4	4920410	BACKSTOP H560
1.5	36308030	MUSHROOMHEADED BOLT M8X30 A2 DIN 603
1.6	36308025	MUSHROOMHEADED BOLT M8X25 A2 DN 603
1.7	33208001	CAP NUT M8 A2 DIN 1587
1.8	30308020	SET SCREW M8X20 A2 DIN 933

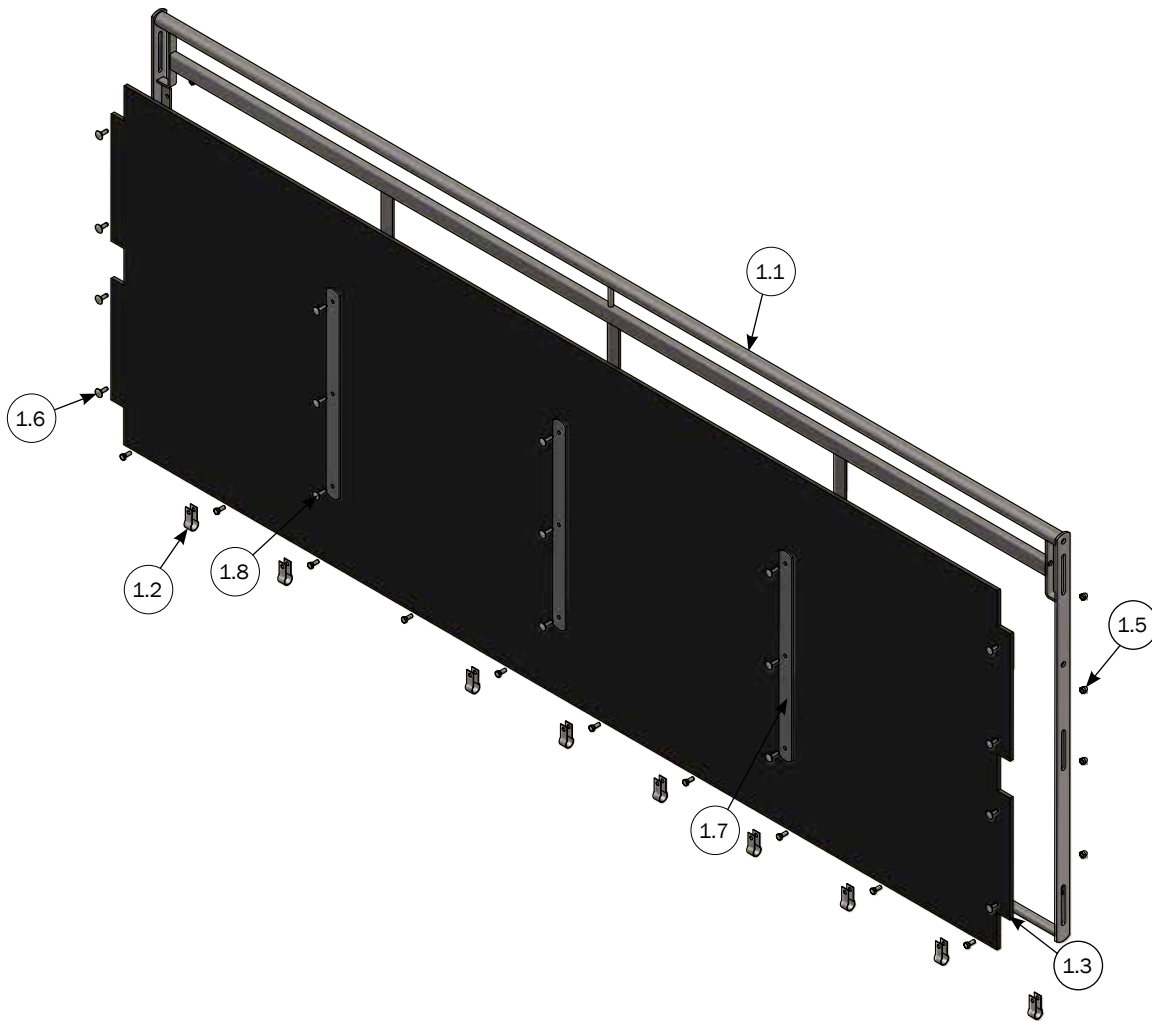


SIDE FOR INN-O-FLEX 10 MM H110 1 BAR/PLATE 0-500 MM

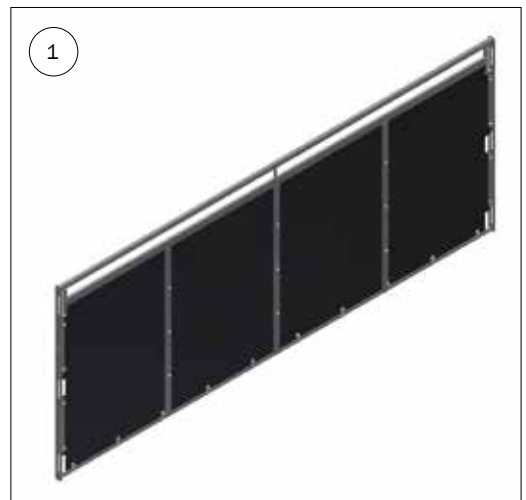


NO.	ITEM NO.	DESCRIPTION
1	4010580	SIDE H110 PLATE 0-500 MM, INN-O-FLEX 10
1.1	4020580	PARTITION H110 1 BAR/PLATE 0-500 MM
1.2	97079	U-BRACKET RECO PLATE
1.3	8460525	PLATE 10 MM H960 L0-500 MM
1.4	36308025	MUSHROOMHEADED BOLT M8X25 A2 DN 603
1.5	33208001	CAP NUT M8 A2 DIN 1587
1.6	30308020	SET SCREW M8X20 A2 DIN 933

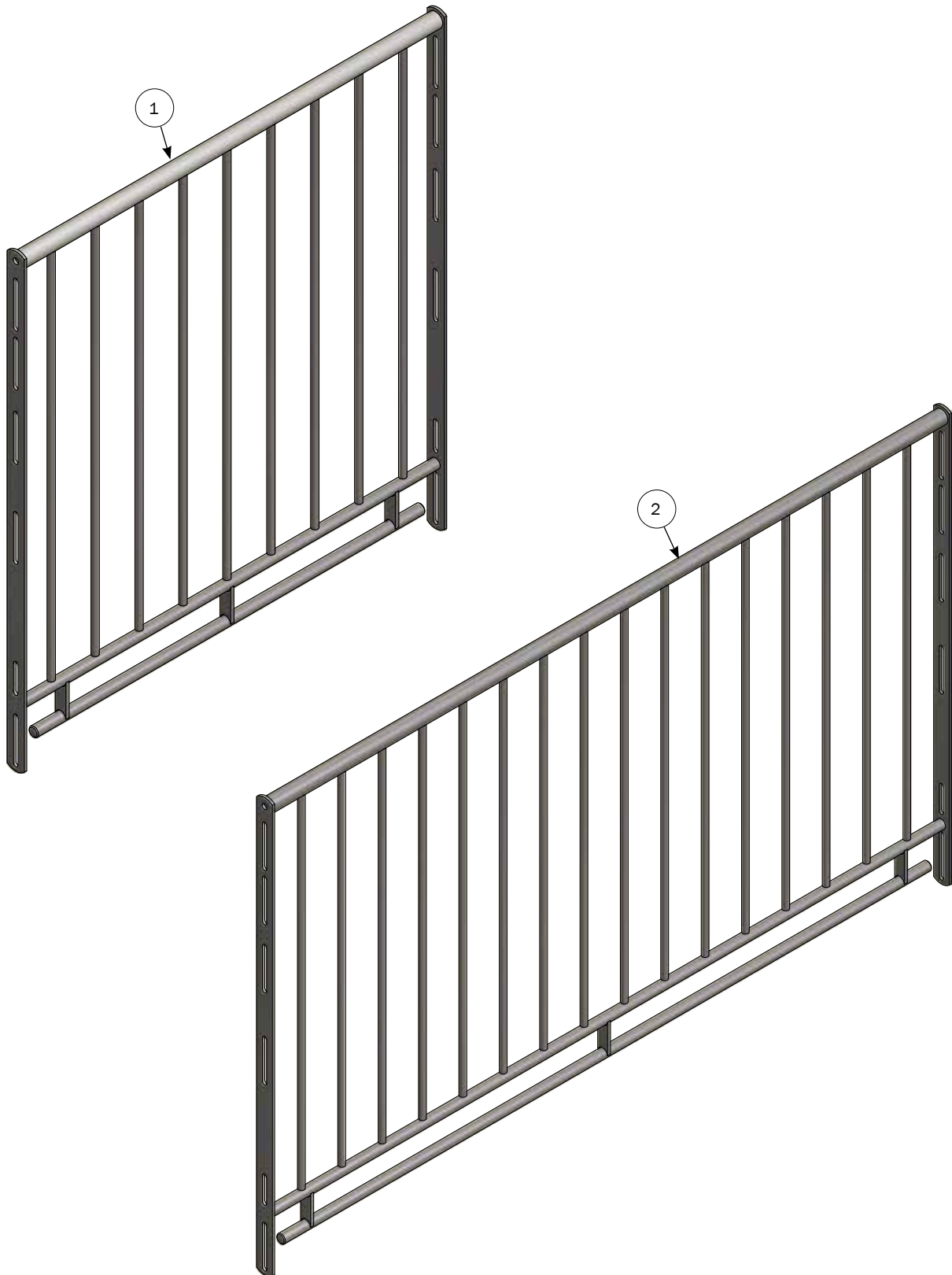
SIDE FOR INN-O-FLEX 10 MM H110 1 BAR/PLATE 501-2800 MM



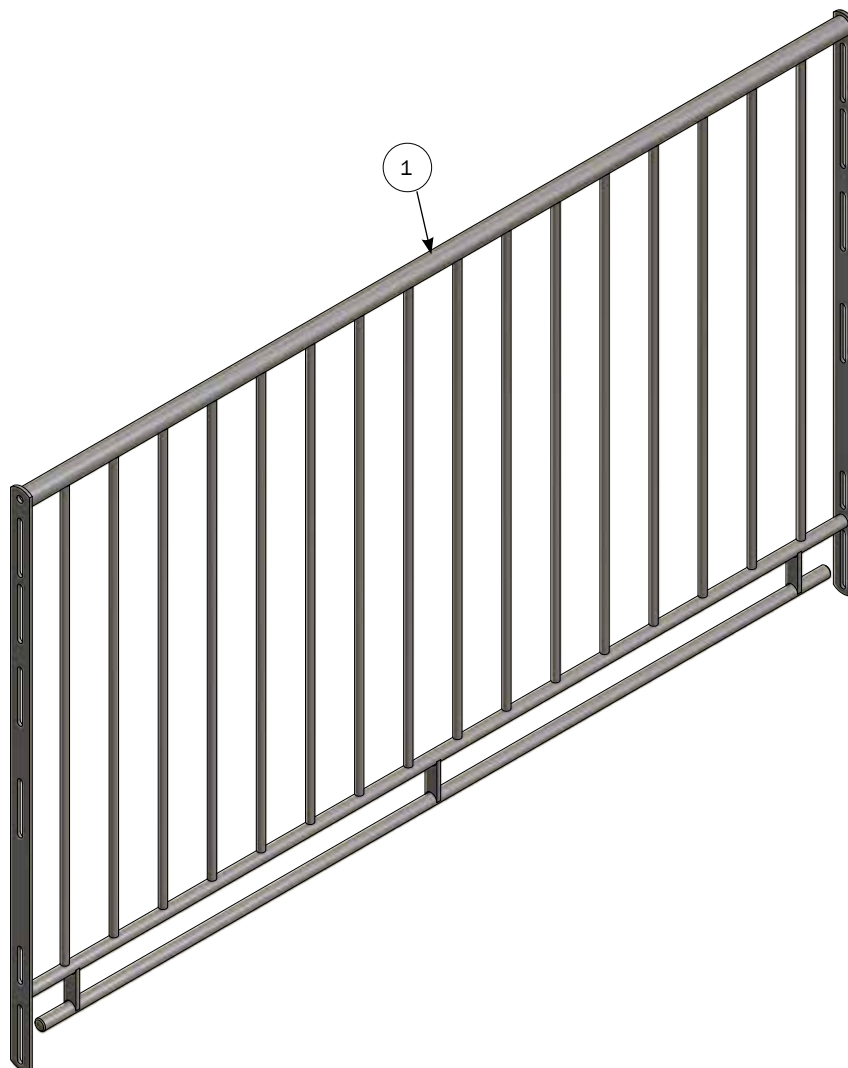
NO.	ITEM NO.	DESCRIPTIN
	4010581	SIDE H110 PLATE 500-1000 MM, INN-O-FLEX 10
	4010582	SIDE H110 PLATE 1000-1500 MM, INN-O-FLEX 10
	4010583	SIDE H110 PLATE 1500-2000 MM, INN-O-FLEX 10
	4010584	SIDE H110 PLATE 2000-2500 MM, INN-O-FLEX 10
1	4010585	SIDE H110 PLATE 2500-2800 MM, INN-O-FLEX 10
1.1	4020585	PARTITION H110 1 BAR/PLATE 2500-2800 MM
1.2	97079	U-BRACKET RECO PLATE
1.3	8460530	PLATE 10 MM H960 L2500-2800 MM
1.4	36308025	MUSHROOMHEADED BOLT M8X25 A2 DN 603
1.5	33208001	CAP NUT M8 A2 DIN 1587
1.6	30308020	SET SCREW M8X20 A2 DIN 933
1.7	4920410	BACKSTOP H560
1.8	36308030	MUSHROOMHEADED BOLT M8X30 A2 DIN 603



GRILLE FOR INN-O-FLEX 10 MM H110 200-2500 MM

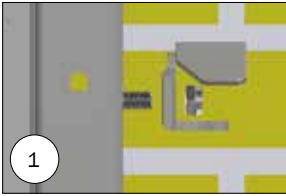


NO.	ITEM NO.	DESCRIPTION
1	4020939	GRILLE H110, L:200-1000 MM
2	4020944	GRILLE H110, L:1750 - 2500 MM

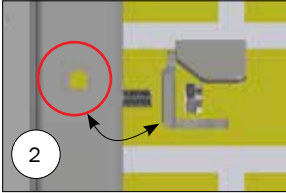


NO.	VARE NO.	DESCRIPTION
	4020940	GRILLE H110, L:1000 MM
	4020941	GRILLE H110, L:1250 MM
	4020942	GRILLE H110, L:1450 MM
1	4020943	GRILLE H110, L:1750 MM

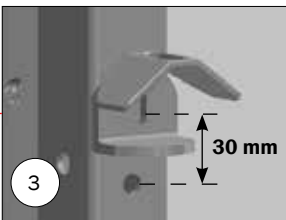
MOUNTING KIT FOR GATE WITH PIN LOCK



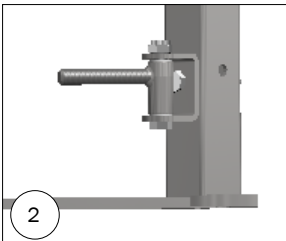
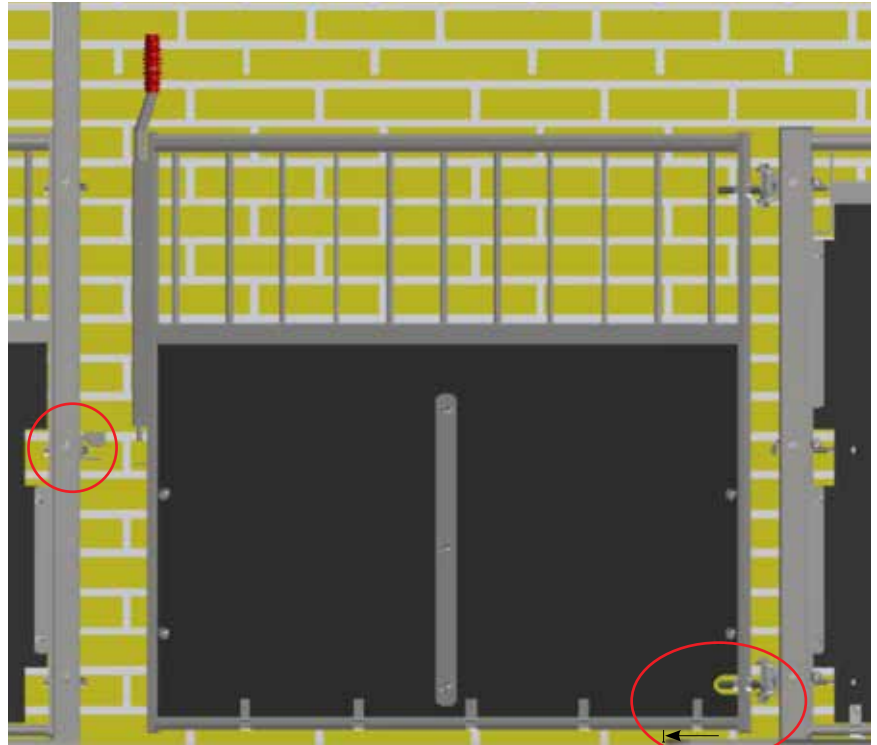
1
Mounting of bracket is bolt from post in use



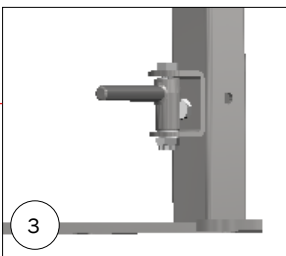
2
Mounting of bracket is bolt from post in use. Post is turned so footplates is turning out/inside.



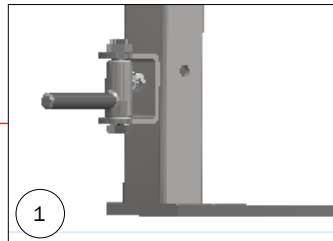
3
Mounting of drop latch "make new hole with M10 thread at the place. Must be ordered separately:
Set screw for mounting " 30310025"
SET SCREW M10X25 A2 DIN 933



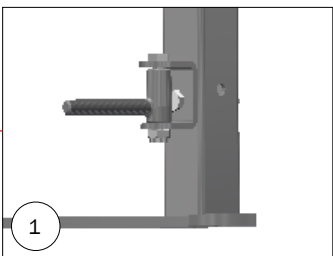
2
Distance between floor and bottom of gate is 30 mm



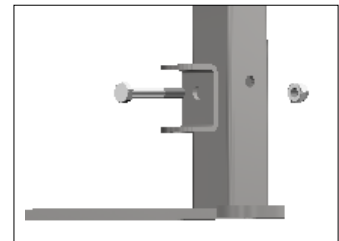
3
Distance between floor and bottom of gate is 40 mm



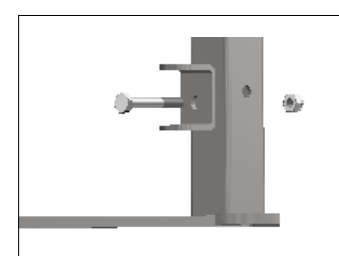
1
Distance between floor and bottom of gate is 10 mm



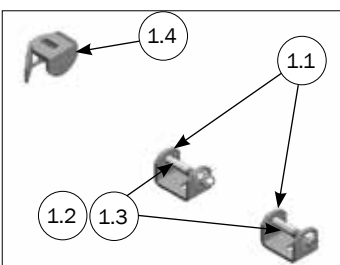
1
Distance between floor and bottom of gate is 20 mm



Bracket is mounted with bolt from post



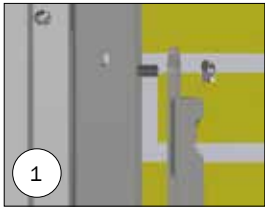
Bracket is mounted with bolt from post



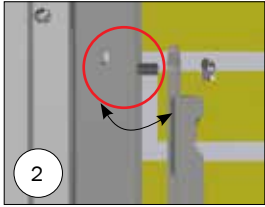
PARTS LIST

NO.	PCS.	ITEM NO.	DESCRIPTION
1	1	4000904	KIT FOR GATE WITH PIN BOLT
1.1	2	29715HG	INN-O-FLEX HINGE BRACKET
1.2	2	67549	M12 X 80 HEX HEAD BOLT A2
1.3	2	33912000	LOCK NUT M12 A2 DIN 985
1.4	1	1915043	DROP LATCH 40 MM.

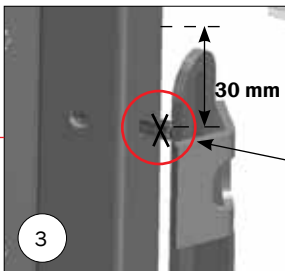
MOUNTING KIT FOR GATE WITH TWIST



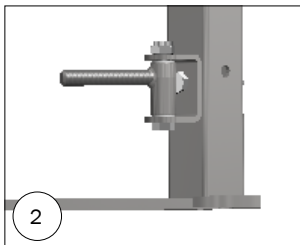
1
Mounting of bracket is bolt from post in use



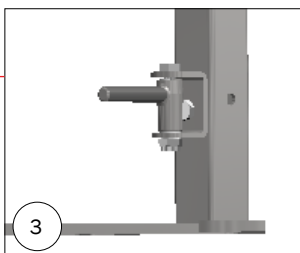
2
Mounting of bracket is bolt from post in use. Post is turned so footplates is turning out/inside.



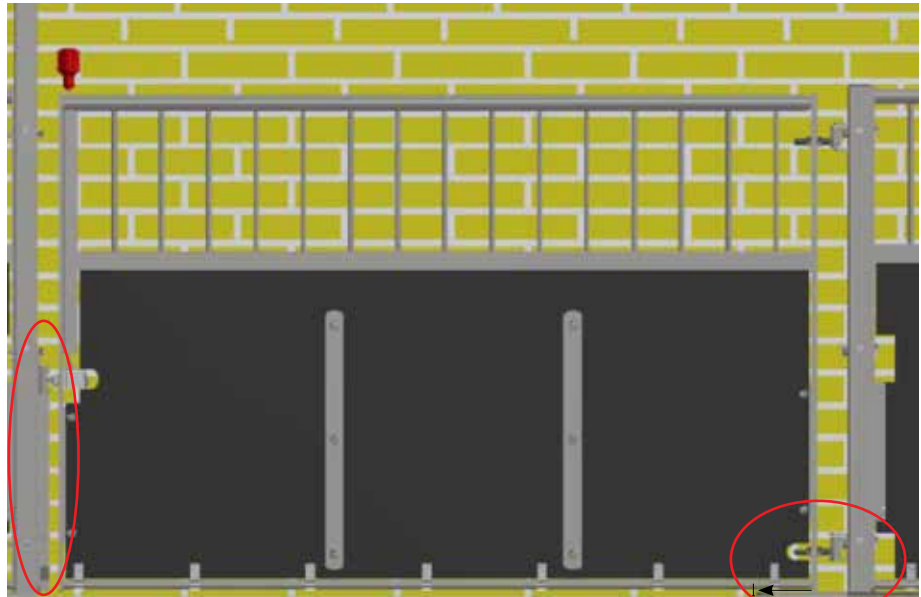
3
Mounting of receiverbracket "make new hole with M10 thread at the place".
Must be ordered separately:
Set screw for mounting "30310025"
SET SCREW M10X25 A2 DIN 933



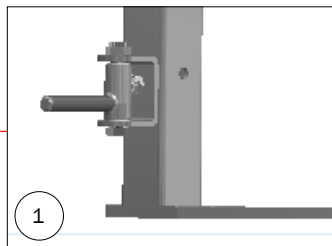
2
Distance between floor and bottom of gate is 30 mm



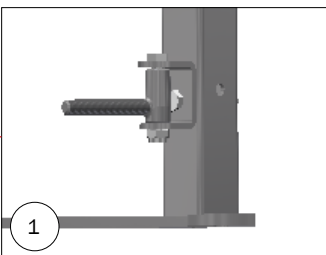
3
Distance between floor and bottom of gate is 40 mm



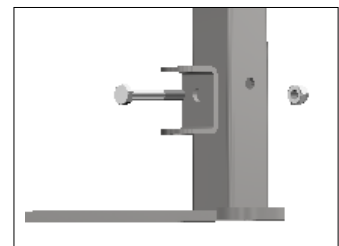
Existing bolt is cut of for mounting of bracket.



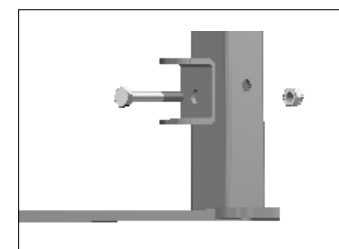
1
Distance between floor and bottom of gate is 10 mm



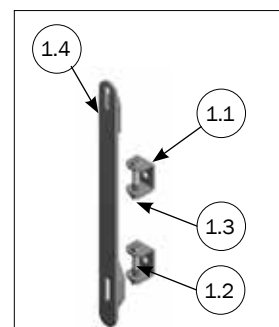
1
Distance between floor and bottom of gate is 20 mm



Bracket is mounted with bolt from post

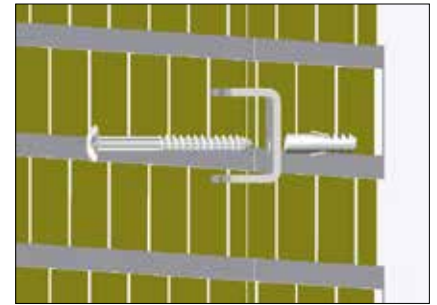
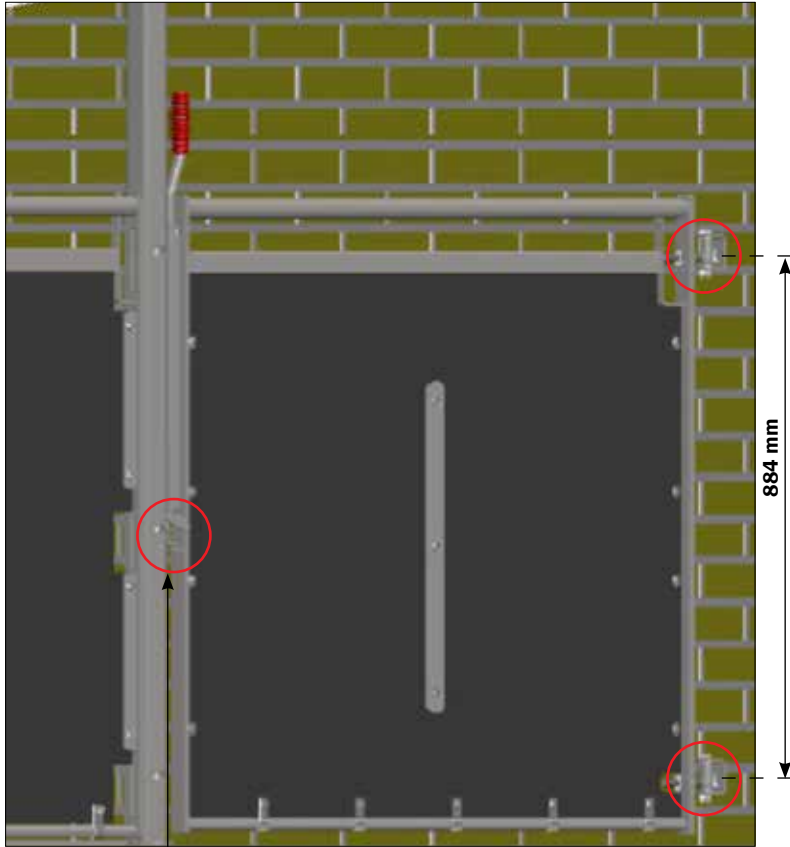


Bracket is mounted with bolt from post

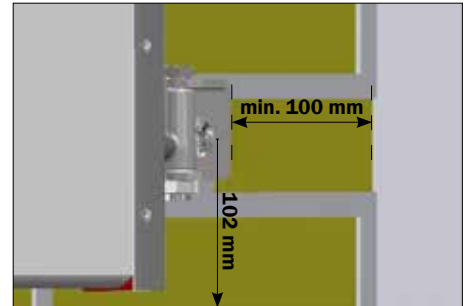


PARTS LIST			
NO.	PCS.	ITEM NO.	DESCRIPTION
1	1	4000896	KIT FOR GATE WITH TWISTLOCK
1.1	2	29715HG	INN-O-FLEX HINGE BRACKET
1.2	2	67549	M12 X 80 HEX HEAD BOLT A2
1.3	2	33912000	LOCK NUT M12 A2 DIN 985
1.4	1	29728	INN-O-FLEX RECEIVERBRACKET

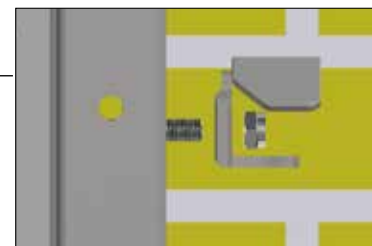
MOUNTING OF GATE AGAINST WALL



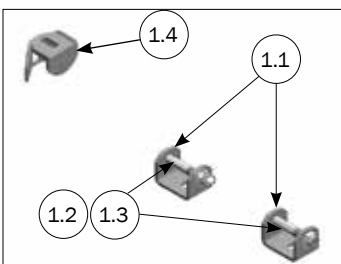
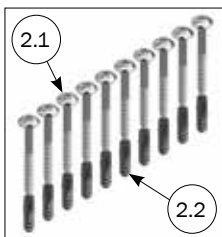
Mounting on wall "4800010"
10 PCS. SS BUTTON HEAD SCREWS 10X70
+ WALL PLUG



Distance from edge of wall to bracket min. 100 mm
distance from floor to hole on bracket is 102 mm



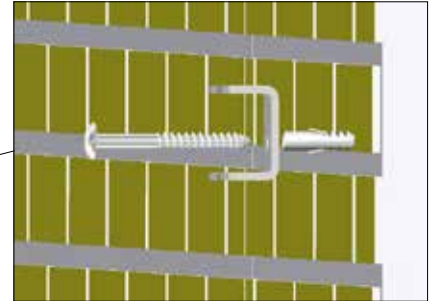
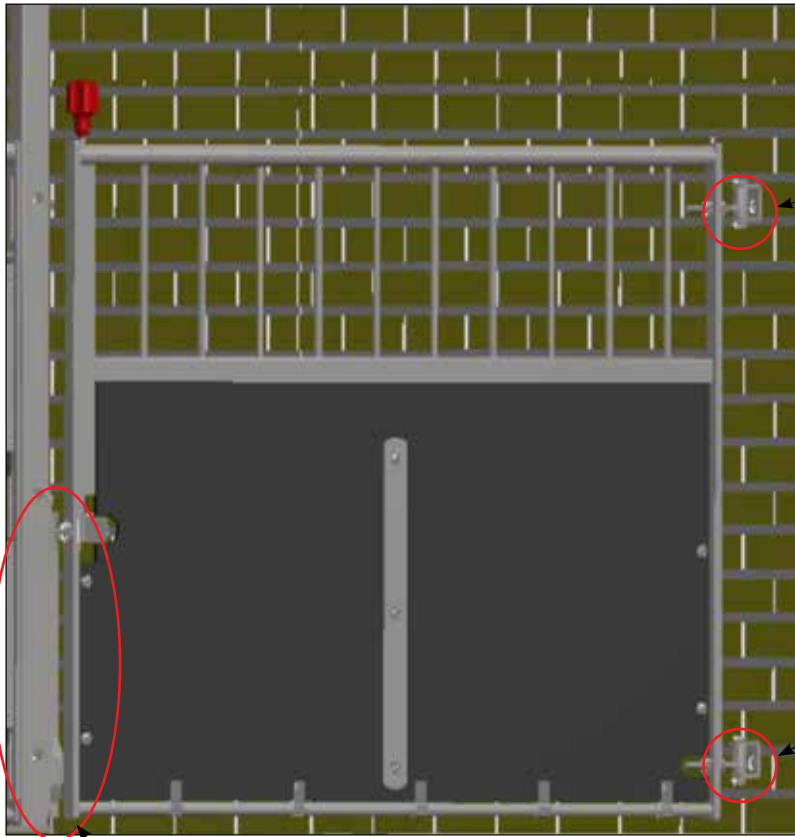
Bracket is mounted with bolt
from post.



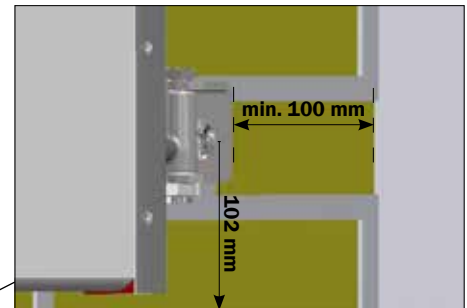
PARTS LIST

NO.	PCS.	ITEM NO.	DESCRIPTION
1	1	4000904	KIT FOR GATE WITH PIN BOLT
1.1	2	29715HG	INN-O-FLEX HINGE BRACKET
1.2	2	67549	M12 X 80 HEX HEAD BOLT A2
1.3	2	33912000	LOCK NUT M12 A2 DIN 985
1.4	1	1915043	DROP LATCH 40 MM.
2	1	4800010	10 PCS. SS BUTTON HEAD SCREWS 10X70 + WALL PLUG
2.1	(10) 2	67444	10 X 70 BUTTON HEAD TORX 50 STAINLESS STEEL
2.2	(10) 2	39900001	WALL PLUG 12X60 MM

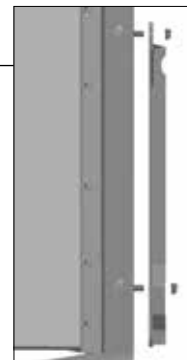
MOUNTING OF GATE WITH TWIST AGAINST WALL



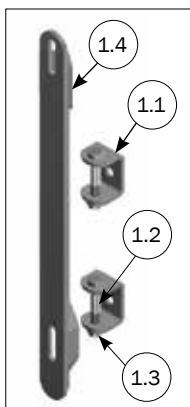
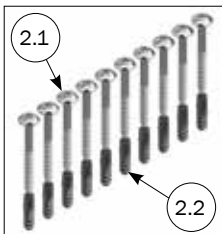
Mounting on wall "4800010"
10 PCS. SS BUTTON HEAD SCREWS 10X70
+ WALL PLUG



Distance from edge of wall to bracket min. 100 mm
distance from floor to hole on bracket is 102 mm



Bracket is mounted with bolt
from post.

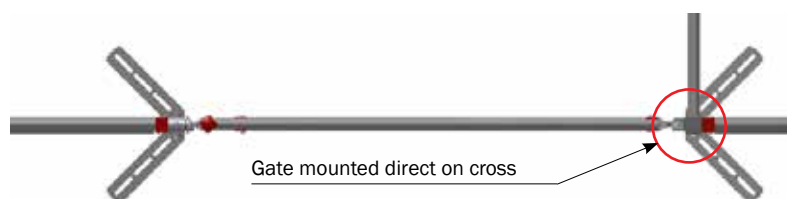
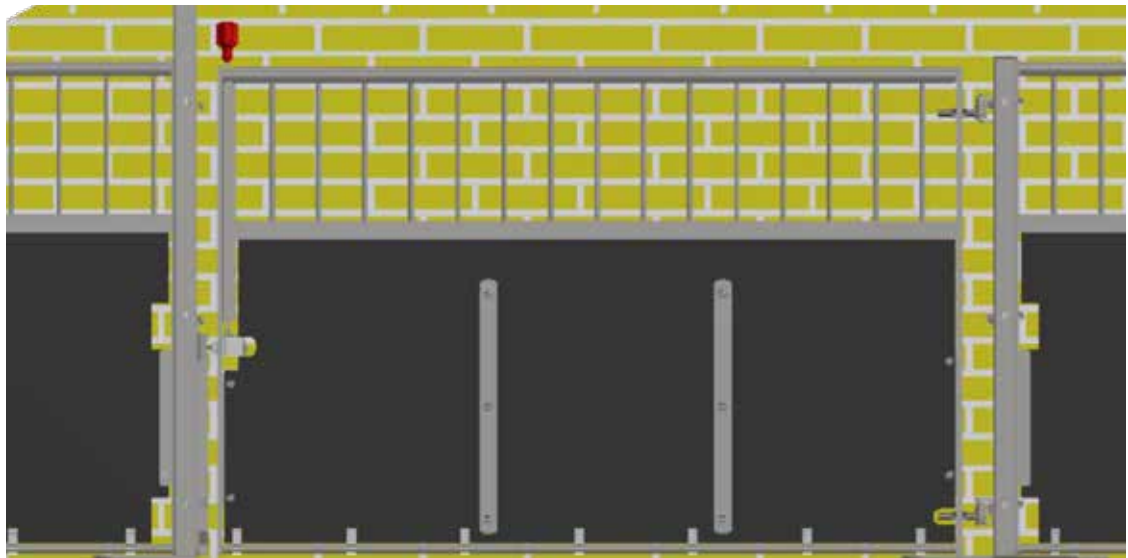
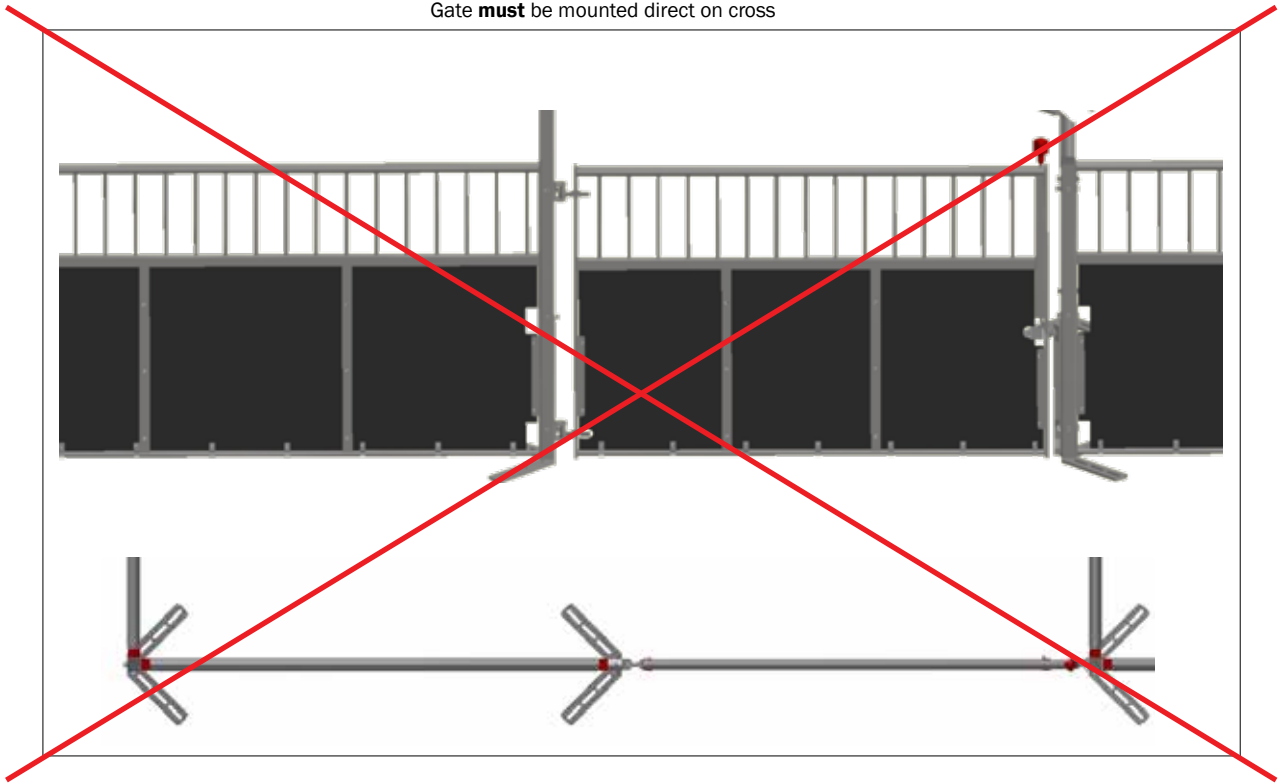


PARTS LIST

NO.	PCS.	ITEM NO.	DESCRIPTION
1	1	4000896	KIT FOR GATE WITH TWISTLOCK
1.1	2	29715HG	INN-O-FLEX HINGE BRACKET
1.2	2	67549	M12 X 80 HEX HEAD BOLT A2
1.3	2	33912000	LOCK NUT M12 A2 DIN 985
1.4	1	29728	INN-O-FLEX RECEIVERBRACKET
2	1	4800010	10 PCS. SS BUTTON HEAD SCREWS 10X70 + WALL PLUG
2.1	(10) 2	67444	10 X 70 BUTTON HEAD TORX 50 STAINLESS STEEL
2.2	(10) 2	39900001	WALL PLUG 12X60 MM

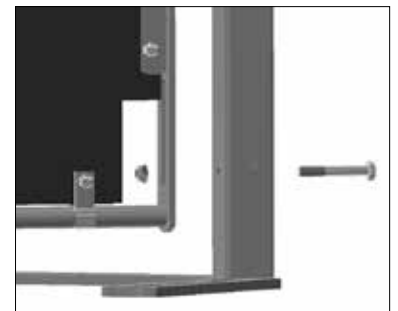
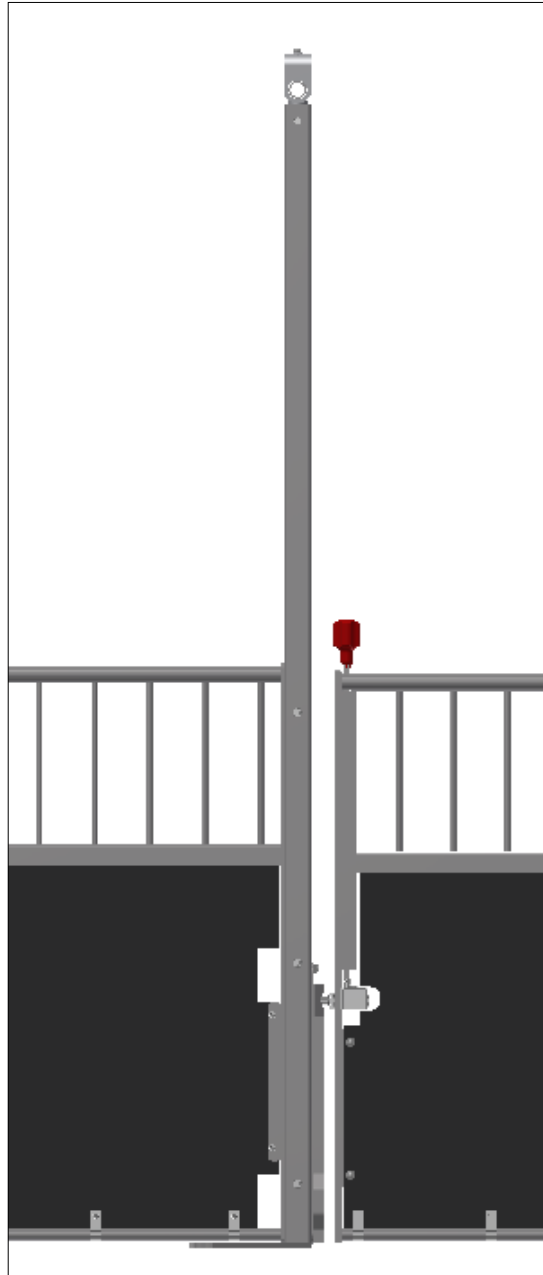
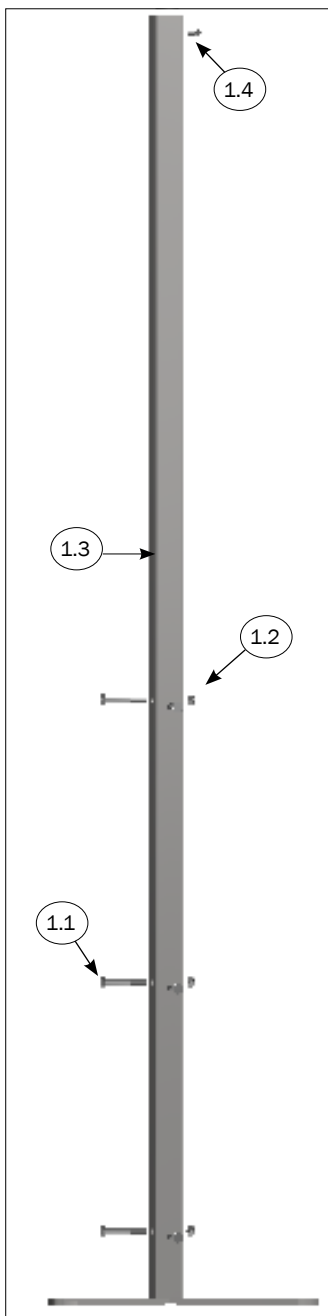
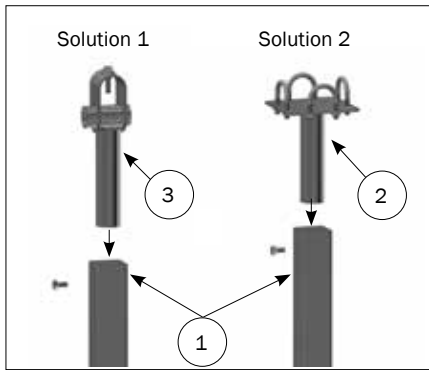
MOUNTING OF GATE ON HIGH/LOW POST

Gate **must** be mounted direct on cross



Gate mounted direct on cross

MOUNTING OF HIGH POST

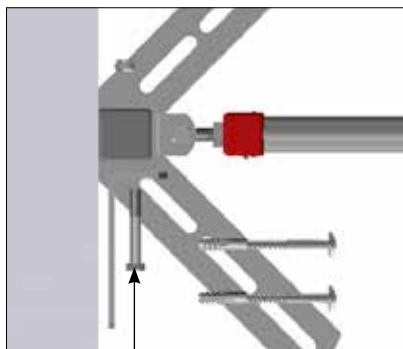
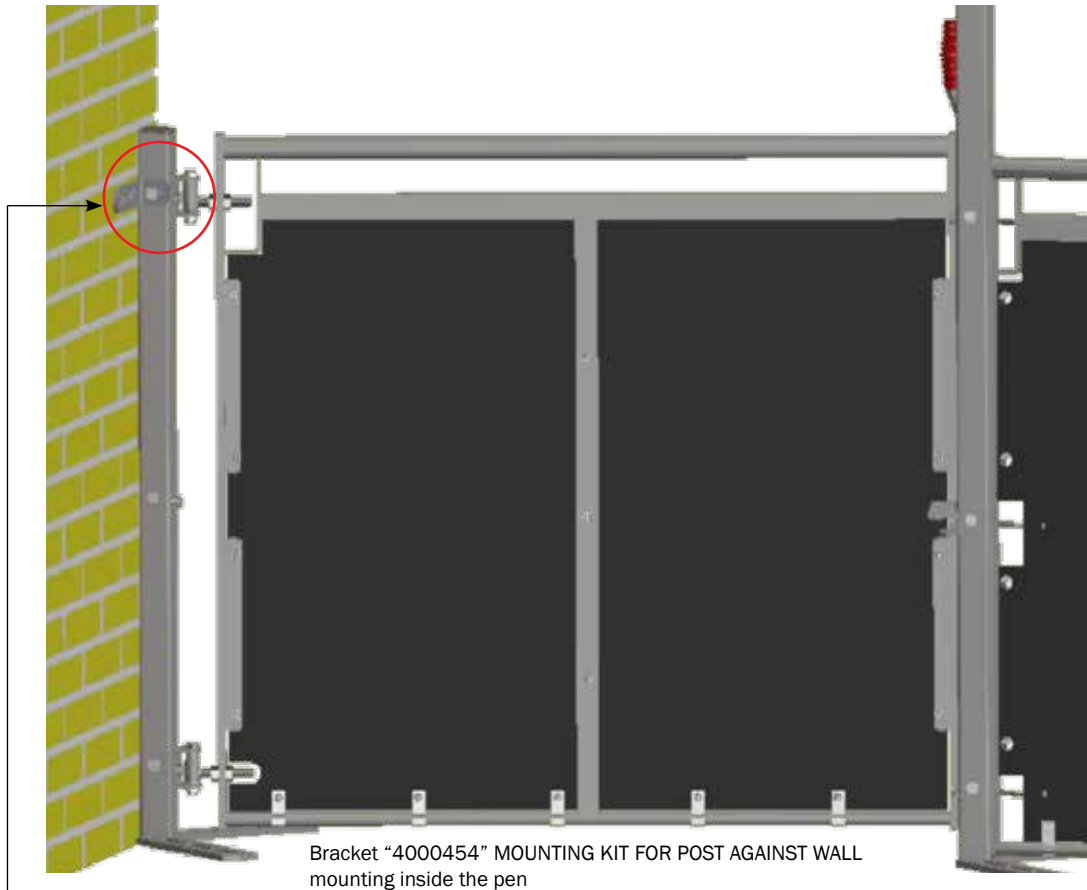


POS. 1.1 is not in use.
When mounting of post against
side “

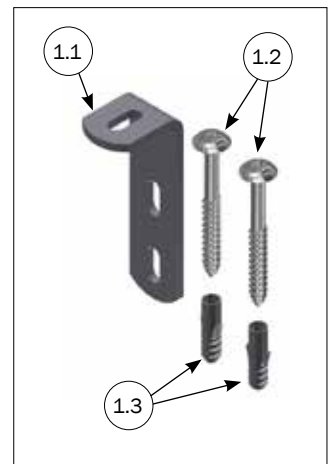
PARTS LIST

NO.	PCS.	ITEM NO.	DESCRIPTION
1	1	4000643	HIGH POST INCL. SCREWS AND NUTS
1.1	6	32510075	MACHINE SCREW M10X70 A2 QUAL.10.9 DIN 931
1.2	6	33900029	LOCK NUT M10 A2 DIN 985
1.3	1	4020643	HIGH POST
1.4	1	30308016	SET SCREW M8X16 A2 DIN 933
2	1	1900320	CROSS CONNECTION WITH 1" U-BOLT
3	1	1900080	CROSS CONNECTION 1"X1" WITH Ø38 MM PIPE, INCL BOLT

MOUNTING OF POST AGAINST WALL

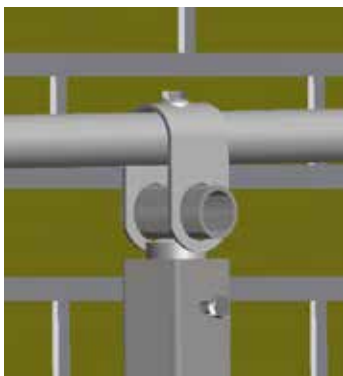
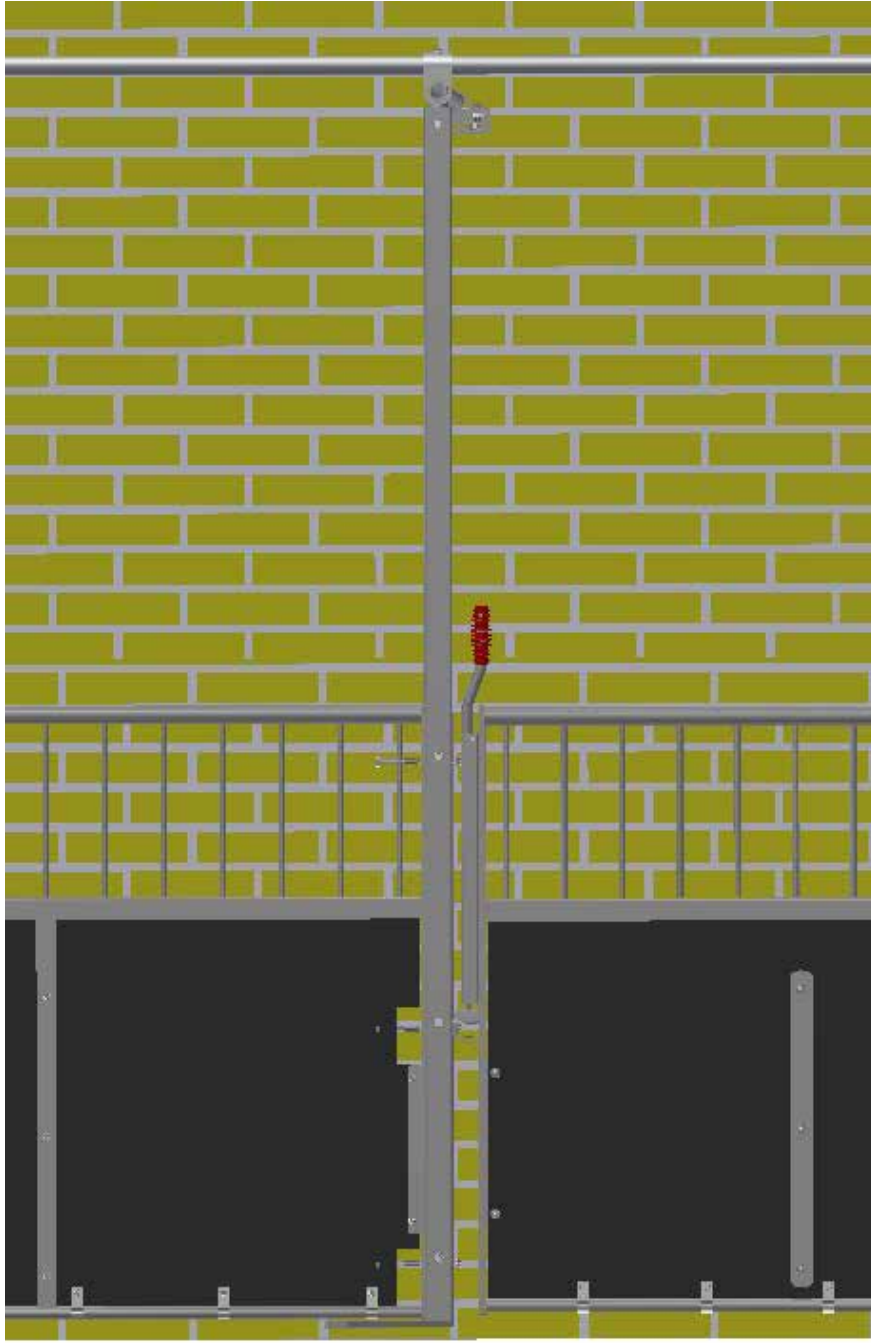


Bracket is mounted with bolt from post

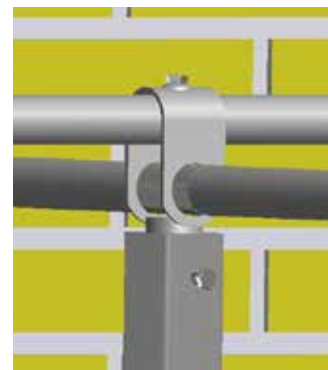


PARTS LIST			
NO.	PCS.	ITEM NO.	DESCRIPTION
1	1	4000454	MOUNTING KIT FOR POST AGAINST WALL
1.1	1	4020299	WALL FITTING FOR FRAME
1.2	2	67444	10 X 70 BUTTON HEAD TORX 50 STAINLESS STEEL
1.3	2	39900001	WALL PLUG 12X60 MM

MOUNTING OF PIPE ON HIGH POST

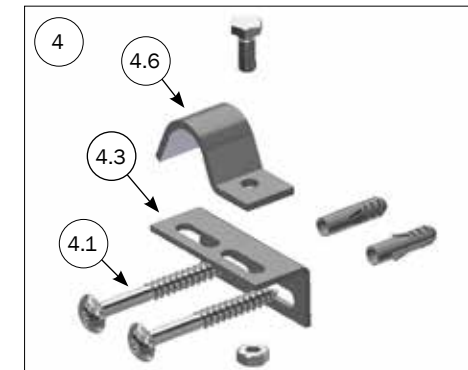
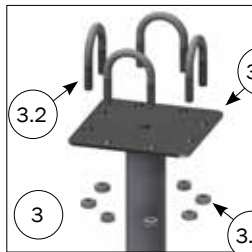
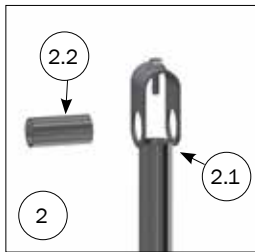
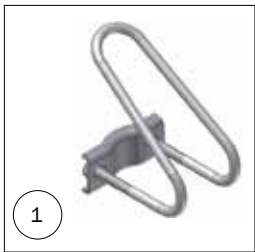
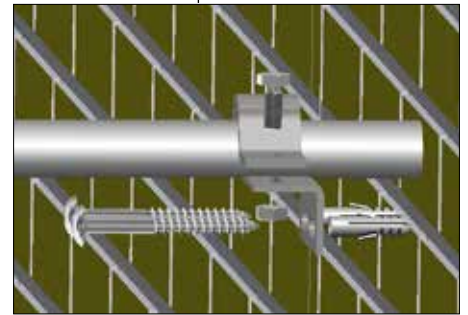
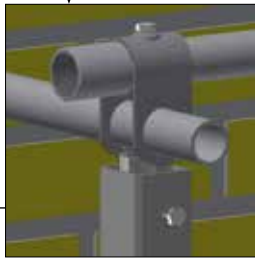
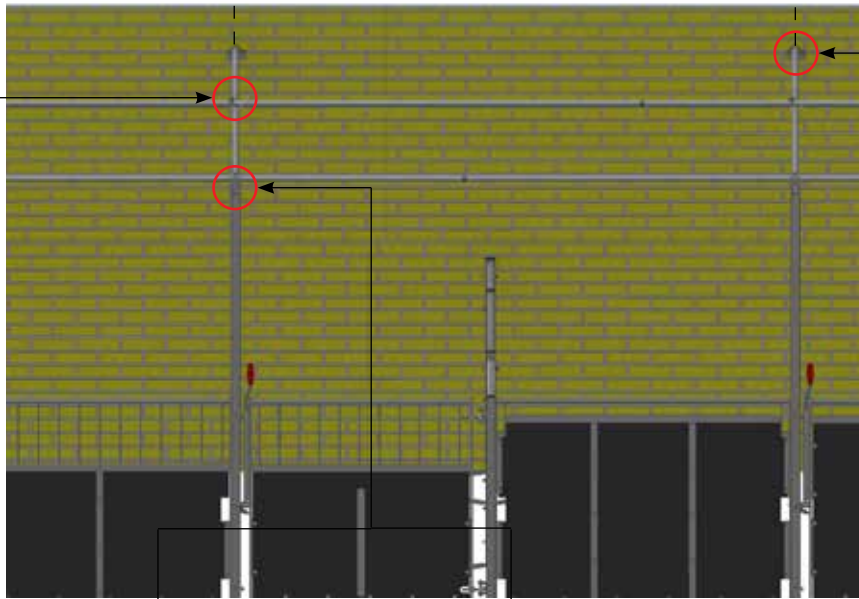


PIPE 70 MM is only in use when one pipe is mounted.



MOUNTING OF PIPE

Recommended length between pipes is max. 3.5 m

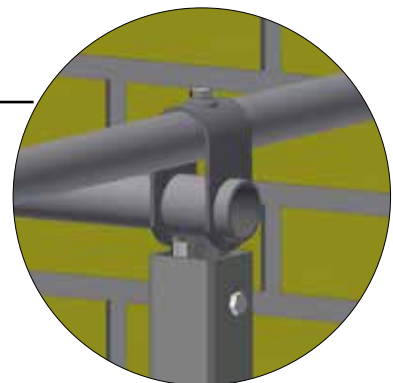
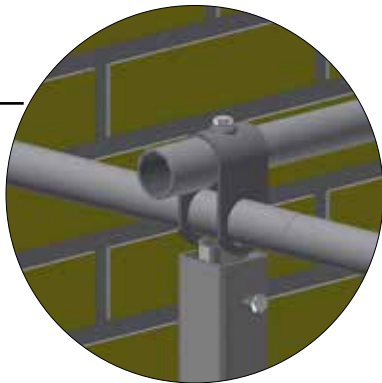
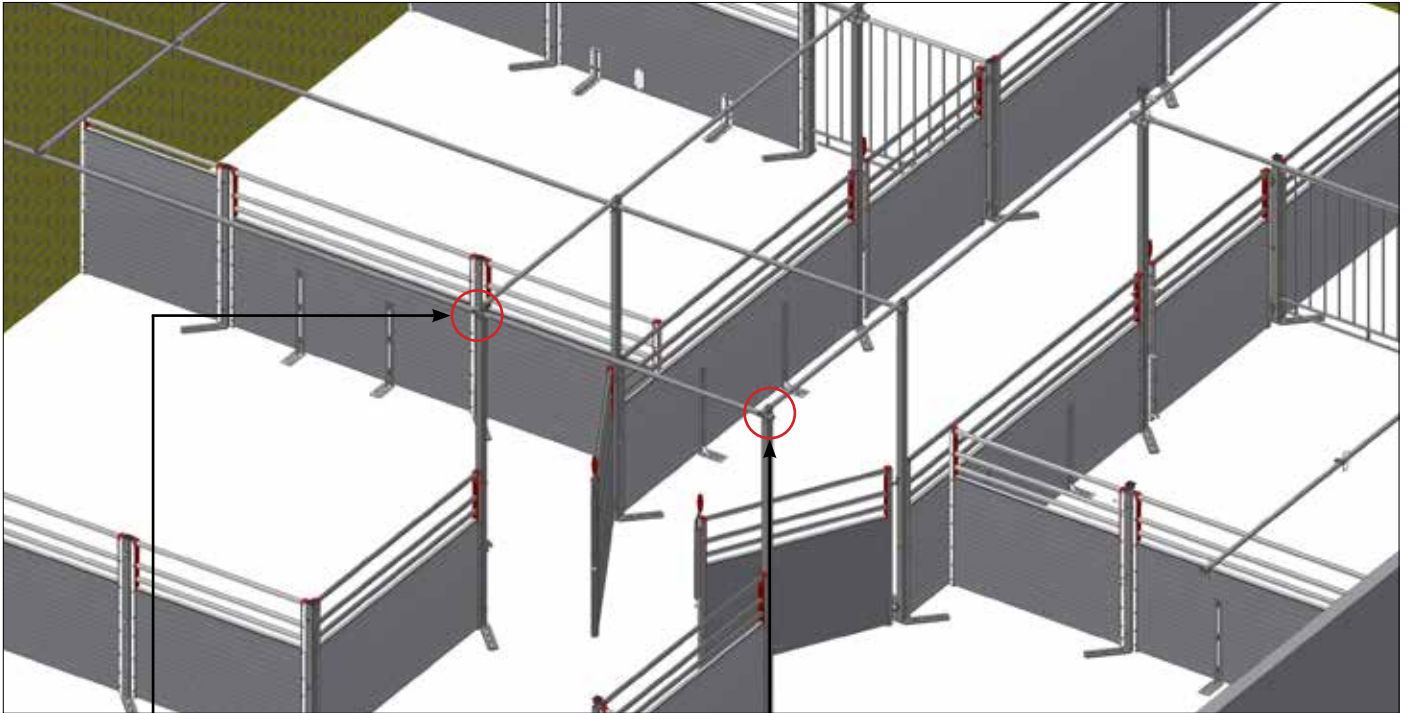


PARTS LIST

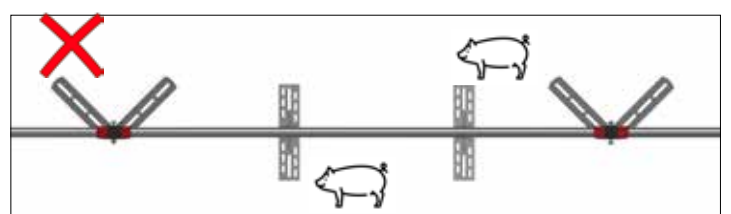
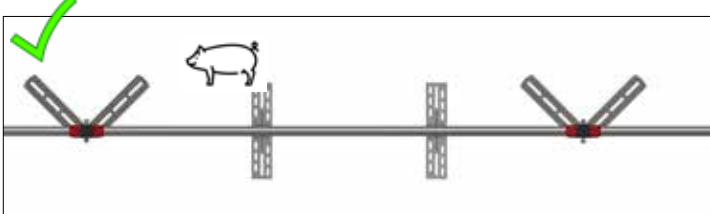
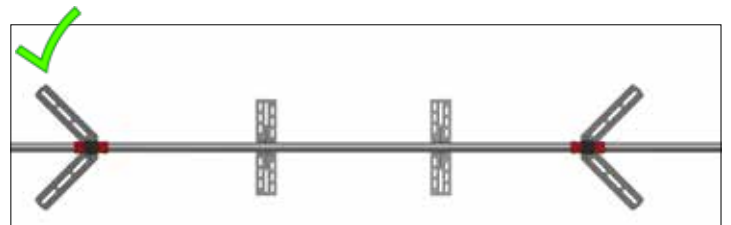
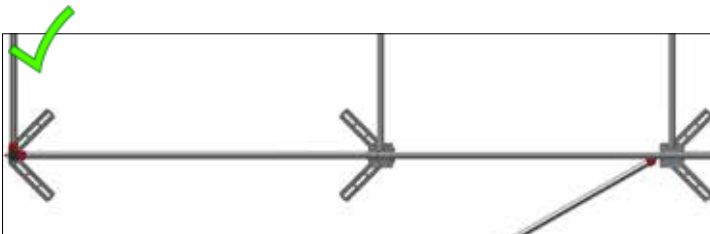
NO.	PCS.	ITEM NO.	DESCRIPTION
1	1	9930014	WINDING CLAMP 1"X1"
2	1	1900080	CROSS CONNECTION 1"X1" WITH Ø38 MM PIPE, INCL BOLT
2.1	1	1910080	DOG CLAMP WITH PIPE
2.2	1	8100240	1" GALVANIZED PIPE L=70 MM
3	1	1900320	CROSS CONNECTION WITH 1" U-BOLT
3.1	1	1920320	CROSS CONNECTION FOR 1" U-BOLT, SUPPORT
3.2	4	90100049	U-CLAMP 1" 8X50 MM GALVANIZED
3.3	8	33208014	NUT M8 HDG DIN 934
4	1	3900019	FITTING FOR WATERPIPE, COMPLETE
4.1	2	67444	10 X 70 BUTTON HEAD TORX 50 STAINLESS STEEL
4.2	2	39900001	WALL PLUG 12X60 MM
4.3	1	3920096	WALL FITTING FOR WATER PIPE
4.4	1	30310025	SET SCREW M10X25 A2 DIN 933
4.5	1	33510017	NUT M10 A2 DIN 934 WAXED
4.6	1	16375	PIPE RETAINER 1" WITHOUT BOLT

STABILIZATION OF POSTS WHERE THE PIPE REACHES THE WALL

ATTENTION! Rules are exemplified with illustrations for INN-O-FLEX 35mm. The same rules apply to INN-O-FLEX 10mm



Direction of the post's footplate in relation to best stabilization



STABILIZING POSTS WHERE THE PIPE CANNOT REACH THE WALL

ATTENTION! Rules are exemplified with illustrations for INN-O-FLEX 35mm. The same rules apply to INN-O-FLEX 10mm

