

# MOUNTING INSTRUCTION



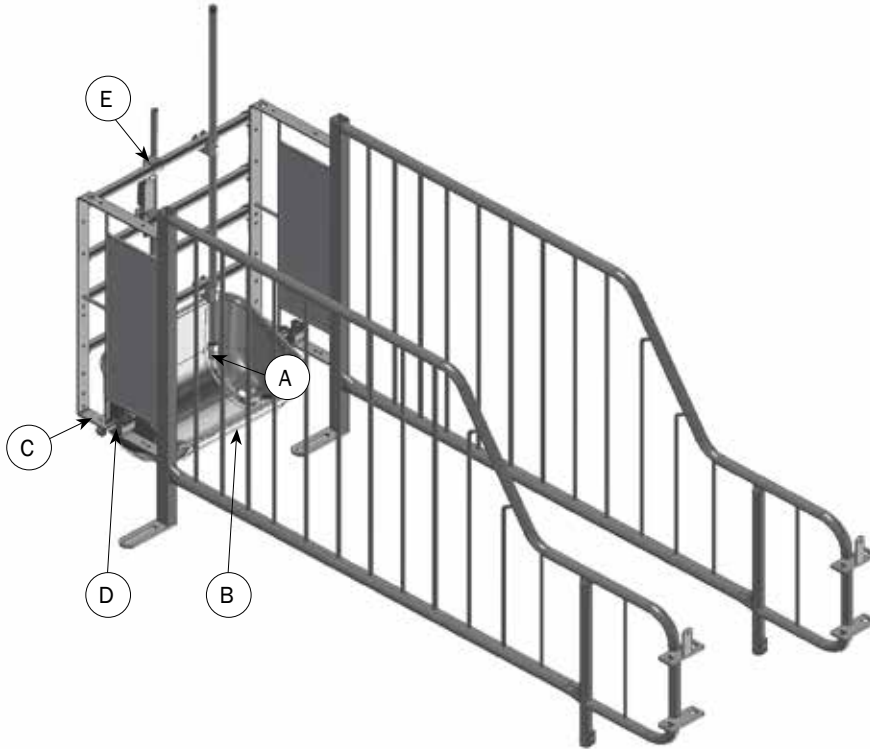
## TILT TROUGH FOR BOX



**ACO FUNKI A/S**  
Kirkevænget 5  
DK-7400 Herning

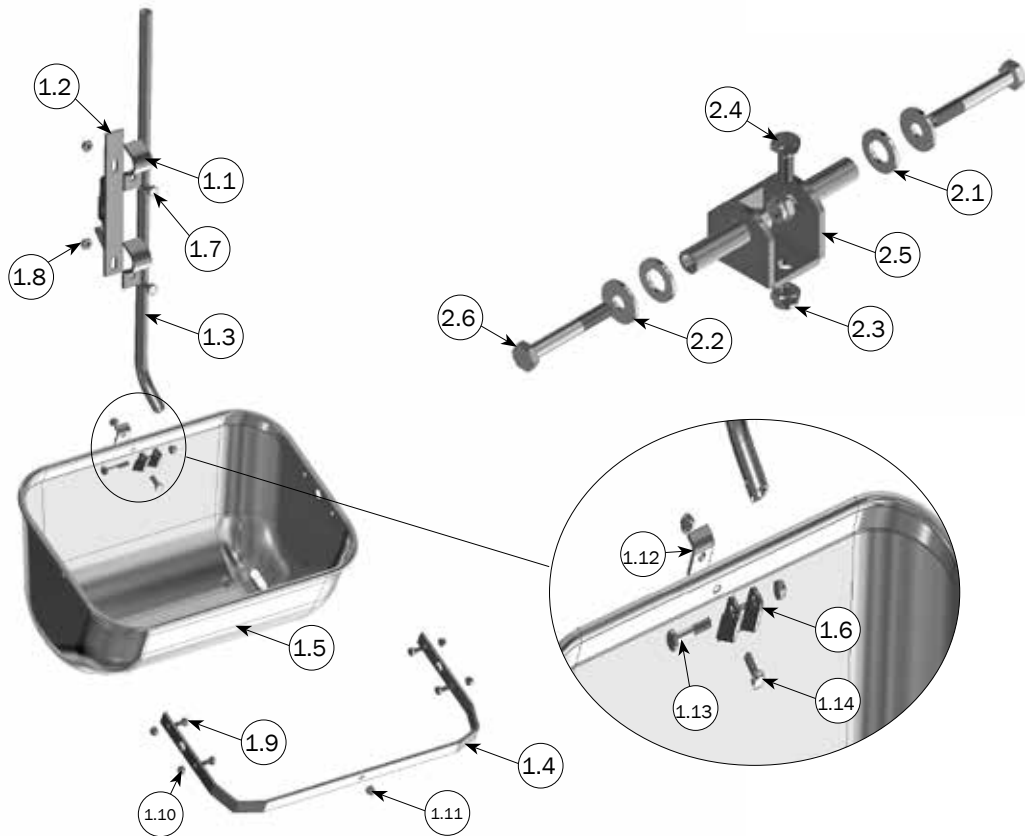
Tel. +45 9711 9600  
[www.acofunki.com](http://www.acofunki.com)  
[www.egebjerg.com](http://www.egebjerg.com)

# OVERVIEW



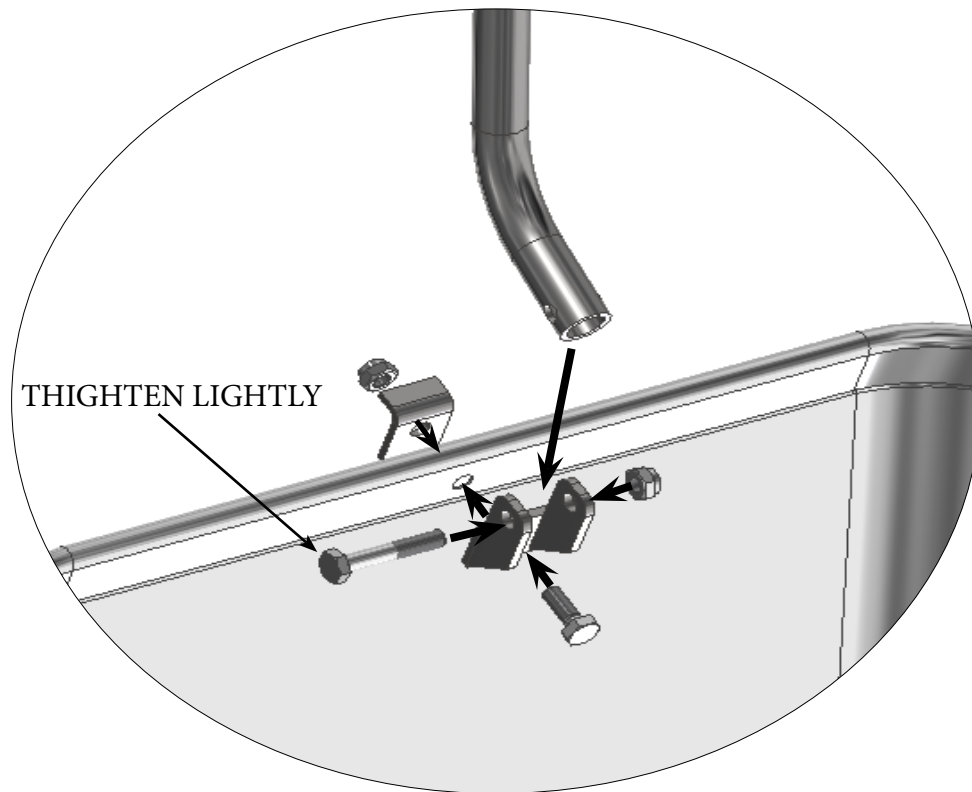
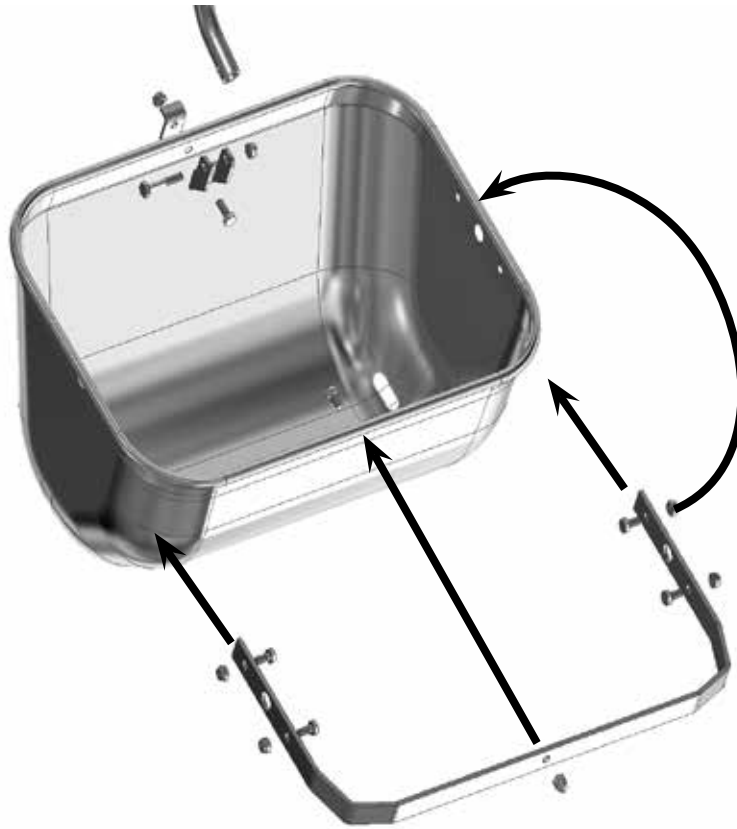
NO.	PAGE	DESCRIPTION
A	3	PARTS LIST
B	4	MOUNTING OF TROUGH
C	5	MOUNTING ON STANDARD 65 CM. BOX
D	6	ADJUSTMENT FOR 60 - 64 CM BOX
E	7	MOUNTING OF LOCK AND PIPE RETAINER

## PARTS LIST



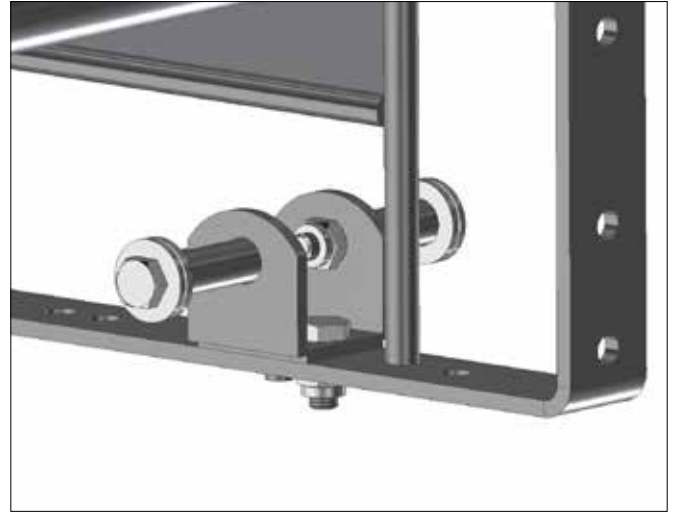
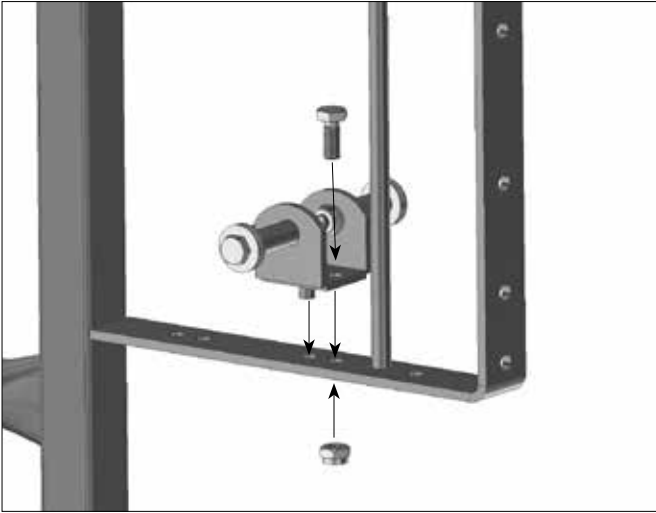
PARTS LIST			
	ITEM NO.	DESCRIPTION	PCS.
1	1200425	TILT TROUGH	
1.1	16375	PIPE RETAINER 1' WITHOUT BOLT	2
1.2	1220423	LOCK FOR TILT TROUGH	1
1.3	1220424	HANDLE FOR TILT TROUGH	1
1.4	1220422	SUPPORT FOR TILT TROUGH	1
1.5	2950701	SOW TILT TROUGH	1
1.6	1220425	BRACKET FOR PIPE LOCK	1
1.7	30310025	SET SCREW M10X25 A2 DIN 933	2
1.8	33510017	NUT M10 A2 DIN 934	2
1.9	30308016	SET SCREW M8X16 A2 DIN 933	5
1.10	33908001	LOCK NUT M8 A2 DIN 985	6
1.11	33208001	CAP NUT M8 A2 DIN 1587	1
1.12	1220426	SUPPORT FOR HANDLE	1
1.13	32308045	MACHINE SCREW M8X45 A2 DIN 931	1
1.14	30308020	SET SCREW M8X20 A2 DIN 933	1
2	1200421	BRACKET FOR TILT TROUGH	
2.1	35600041	FLAT WASHER Ø16X17/30/3 A2 DIN125 A	2
2.2	35900085	NUT WASHER Ø10X10,5/30/2,5 A2DIN 9021	2
2.3	33900029	LOCK NUT M10 A2 DIN 985	3
2.4	30310025	SET SCREW M10X25 A2 DIN 933	1
2.5	1220421	BRACKET FOR TILT TROUGH	1
2.6	32510070	MACHINE SCREW M10X70 A2 QUAL.10.9 DIN 931	2

## MOUNTING OF TROUGH

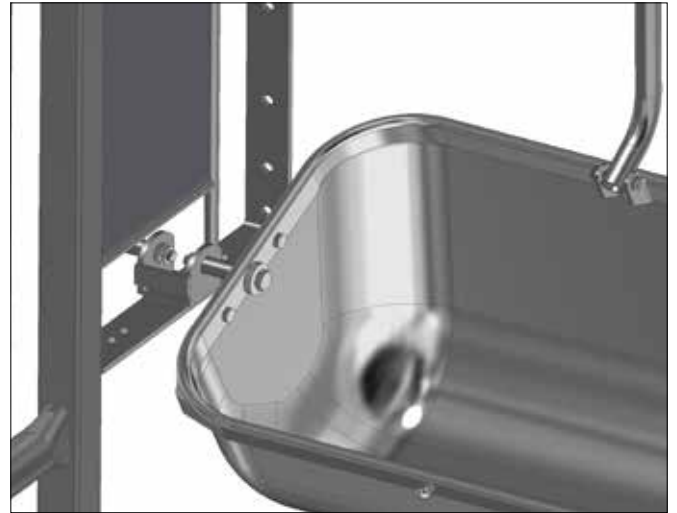


## MOUNTING ON STANDARD 65 CM. BOX

1



2



3



## ADJUSTMENT FOR 60 - 64 CM BOX



PURCHASE BY SHORTENING BRACKETS		
ITEM NO.	DESCRIPTION	PCS.
	<i>ADJUSTMENT FOR 60 CM</i>	
30310050	SET SCREW M10X50 A2 DIN 933	2
	<i>ADJUSTMENT FOR 61 CM</i>	
30310050	SET SCREW M10X50 A2 DIN 933	2
	<i>ADJUSTMENT FOR 62 CM</i>	
30310060	SET SCREW M10X60 A2 DIN 933	2
	<i>ADJUSTMENT FOR 63 CM</i>	
30310060	SET SCREW M10X60 A2 DIN 933	2
	<i>ADJUSTMENT FOR 64 CM</i>	
	USE THE INCLUDED SCREW	2

## MOUNTING OF LOCK AND PIPE RETAINER

