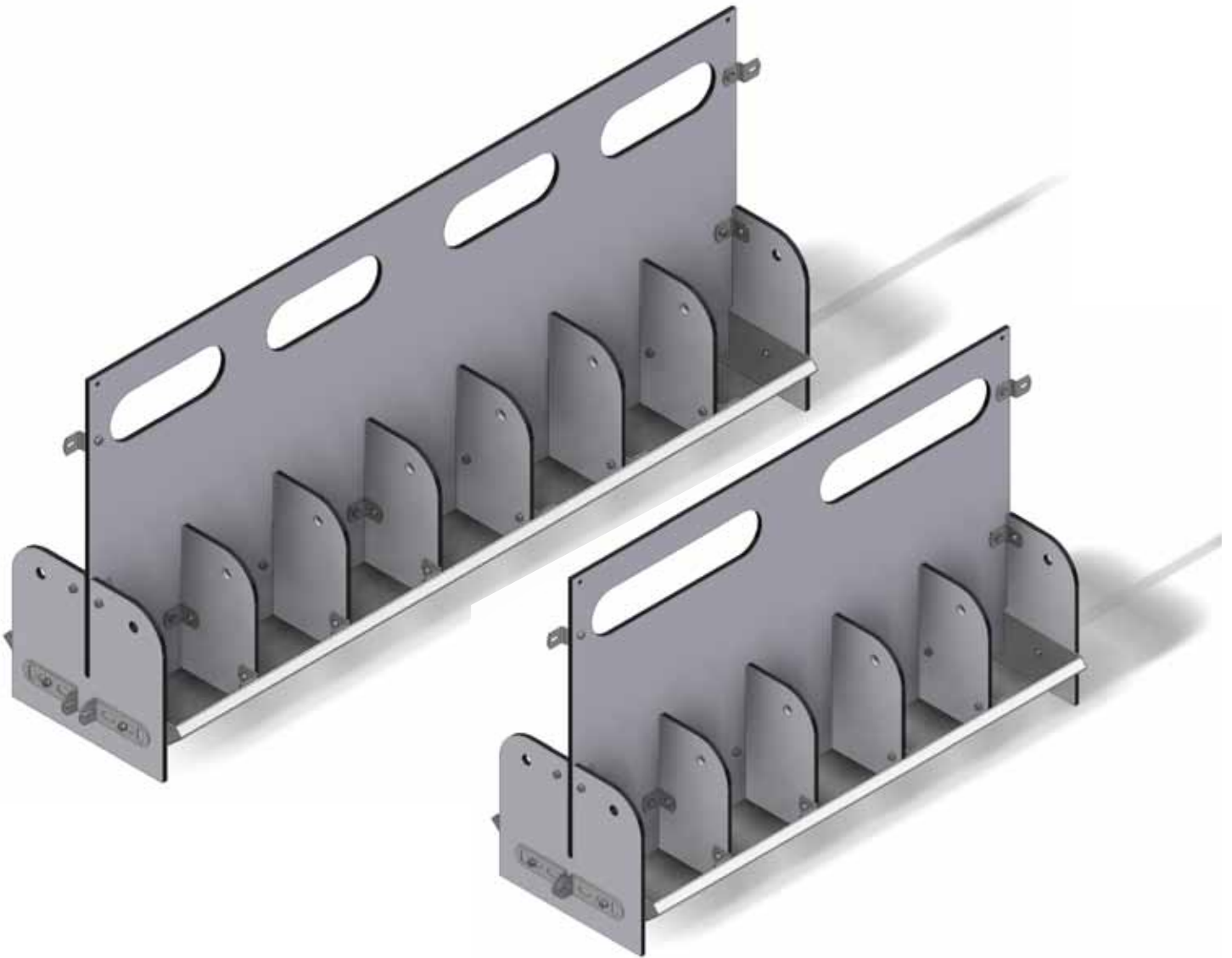


M-6167_GB

MOUNTING INSTRUCTION



BIOLINE



ACO FUNKI A/S

Kirkevænget 5
DK-7400 Herning

Tel. +45 9711 9600

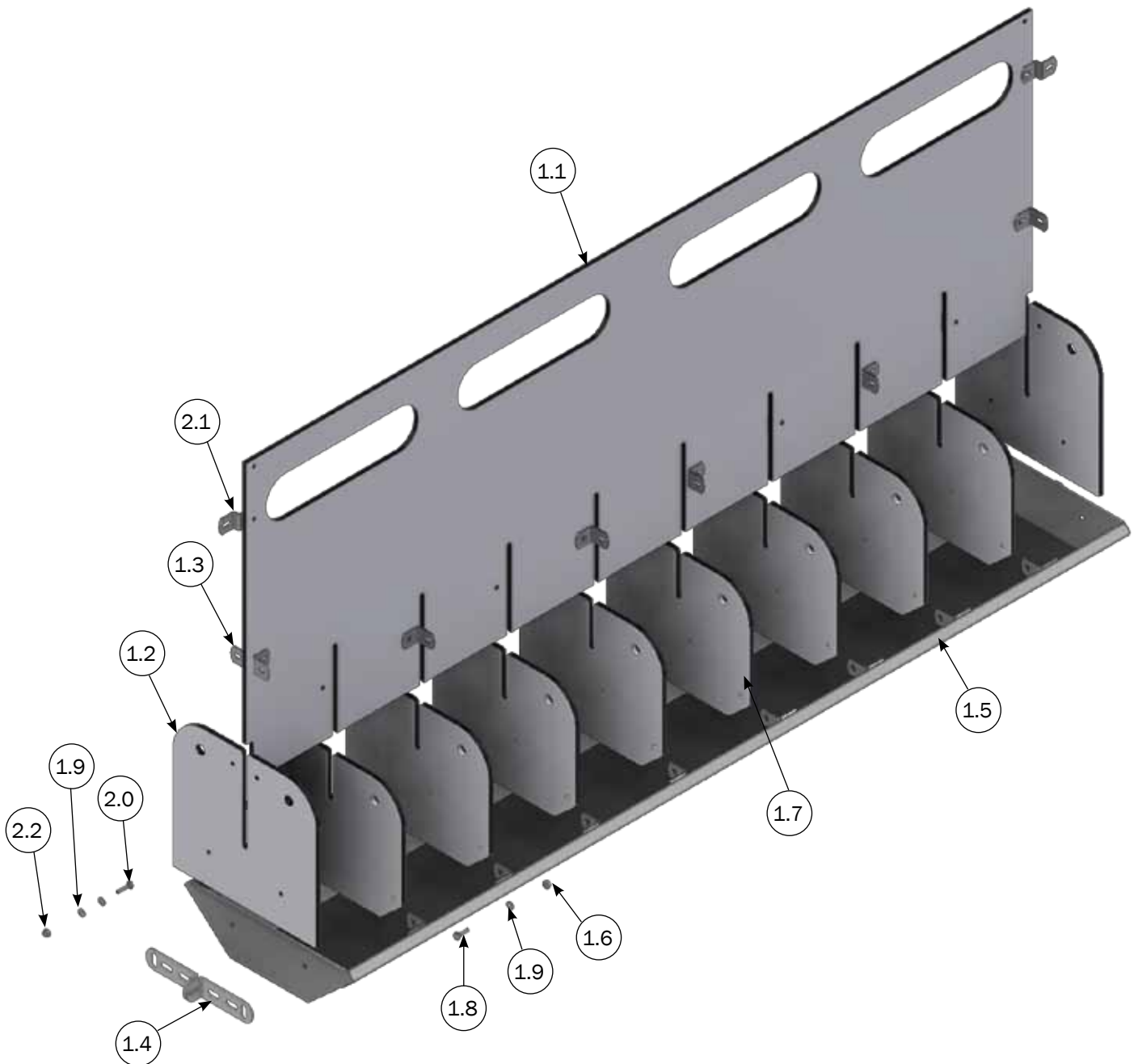
Fax +45 9711 9677

www.acofunki.com

FUNKI

DANISH DESIGN | GERMAN QUALITY | GLOBAL EXPERIENCE

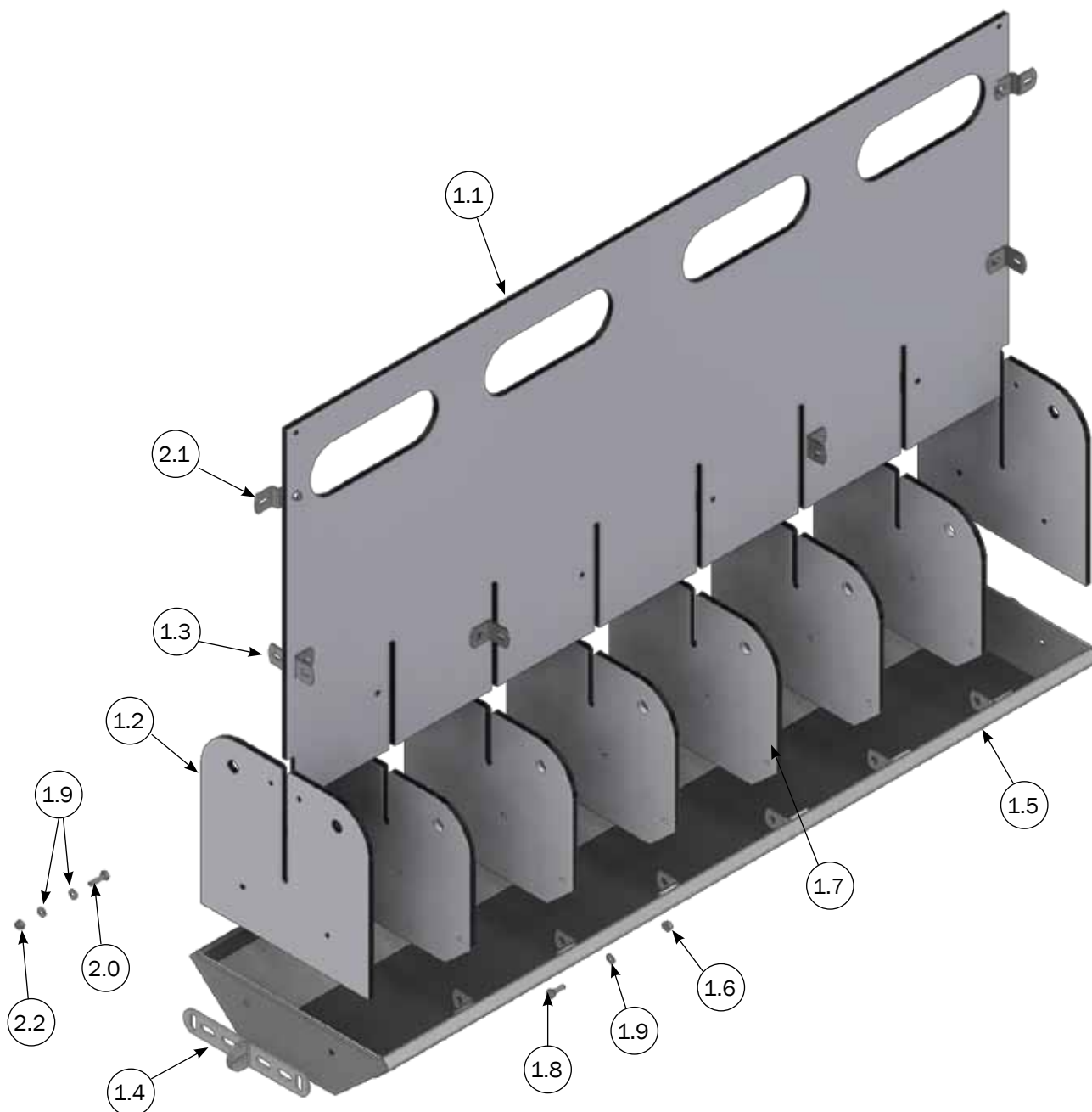
Bioline with 2x9 feeding areas



PARTS LIST

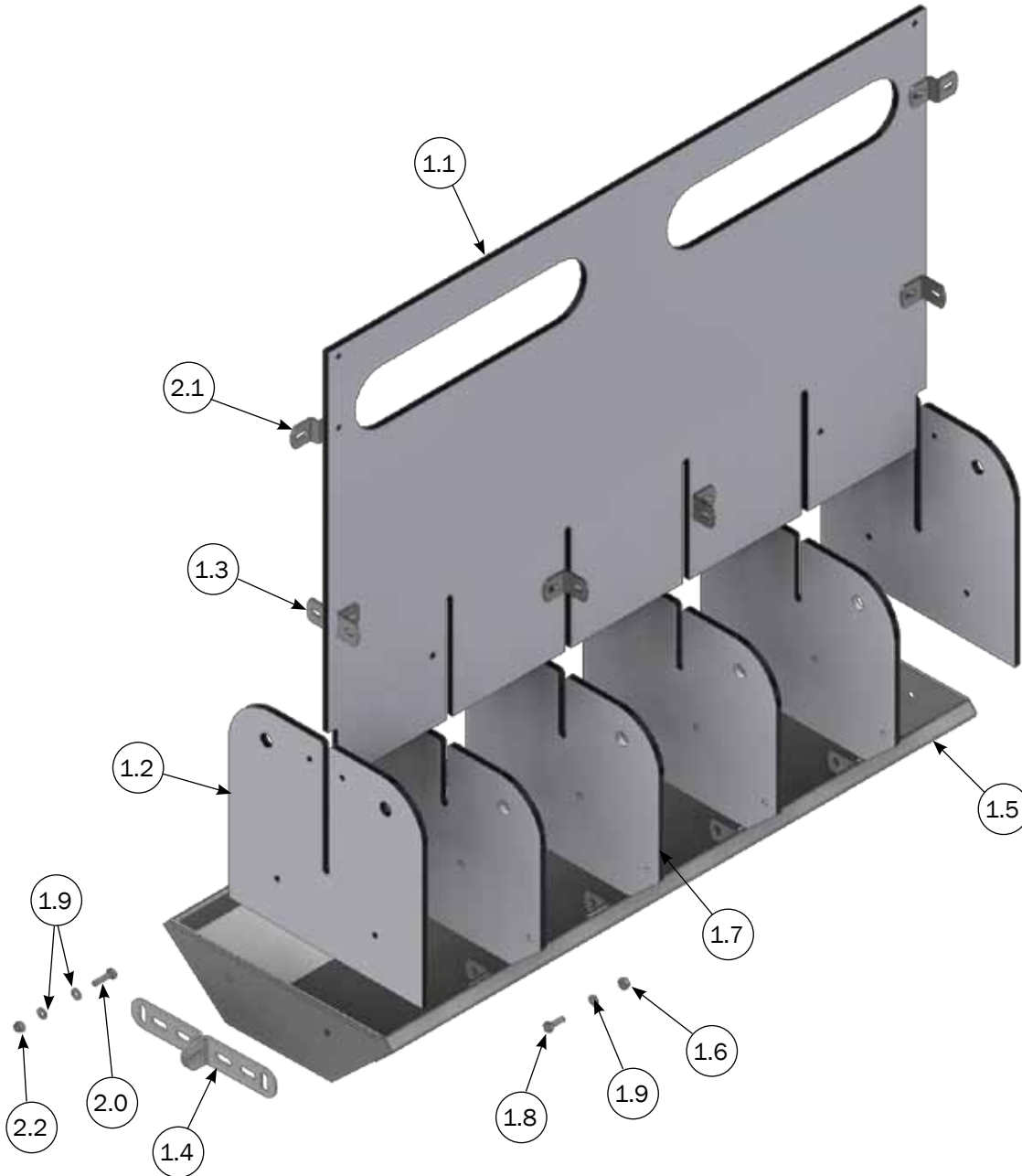
No	Pcs	Item no	Description
1	1	4500633	BIOLINE 9X2 FEEDING AREAS 4 WEANERS PER FEEDING AREAS H:751,5XD2006XB:430,5 MM
1.1	1	4560638	VÆG TIL BIOLINE 9X2 ÆDEPLADSE COMPACT PLADE
1.2	2	4560635	WALL FOR BIOLINE 9X2 FEEDING AREAS COMPACT PLATE
1.3	12	30900	WALL BRACKET SMALL
1.4	4	4950955	FLOOR ANGLE 133X44X39 MM A2
1.5	1	3950099	TROUGH FOR BIOLINE 9X2 FEEDING AREAS H:121,4XD:1986,4XB:430,5 MM
1.6	40	68552	M8 FLANGE NUT DIN 6923 A2
1.7	8	4560634	CENTRE PLATE FOR BIOLINE COMPACT PLATE
1.8	38	30308025	SET SCREW M8X25 A2 DIN 933
1.9	48	35600037	FLAT WASHER Ø8X8,4/16/1,6 A2 DIN 125 A
2.0	6	30308030	SET SCREW M8X30 A2 DIN 933
2.1	2	4950581	Z BRACKET FOR COMP-O-FLEX
2.2	4	33908001	LOCK NUT M8 A2 DIN 985

Bioline with 2x7 feeding areas



PARTS LIST			
No	Pcs	Item no	Description
1	1	4500632	BIOLINE 7X2 FEEDING AREAS 4 WEANERS PER FEEDING AREAS H:751,5XD1556XB:430,5 MM
1.1	1	4560637	WALL FOR BIOLINE 7X2 FEEDING AREAS COMPACT PLATE
1.2	2	4560635	WALL FOR BIOLINE 9X2 FEEDING AREAS COMPACT PLATE
1.3	10	30900	WALL BRACKET SMALL
1.4	4	4950955	GULV VINKEL 133X44X39 MM A2
1.5	1	3950098	TROUGH FOR BIOLINE 7X2 FEEDING AREAS H:121,4XD:1546,4XB:430,5 MM
1.6	32	68552	M8 FLANGE NUT DIN 6923 A2
1.7	6	4560634	CENTRE PLATE FOR BIOLINE COMPACT PLATE
1.8	30	30308025	SET SCREW M8X25 A2 DIN 933
1.9	40	35600037	FLAT WASHER Ø8X8,4/16/1,6 A2 DIN 125 A
2.0	6	30308030	SET SCREW M8X30 A2 DIN 933
2.1	2	4950581	Z BRACKET FOR COMP-O-FLEX
2.2	4	33908001	LOCK NUT M8 A2 DIN 985

Bioline with 2x5 feeding areas

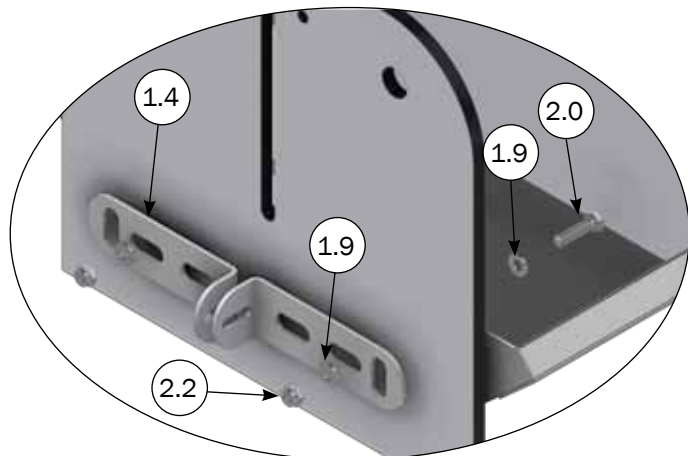
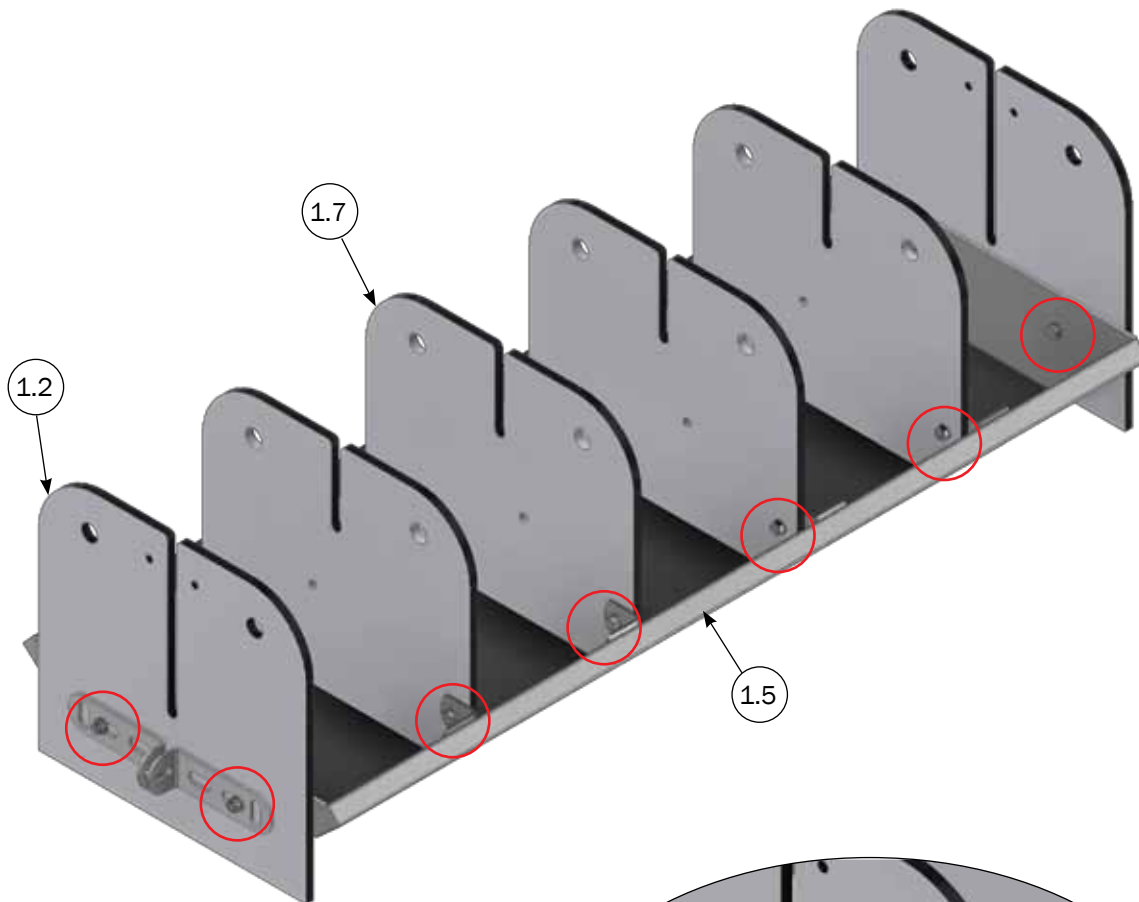
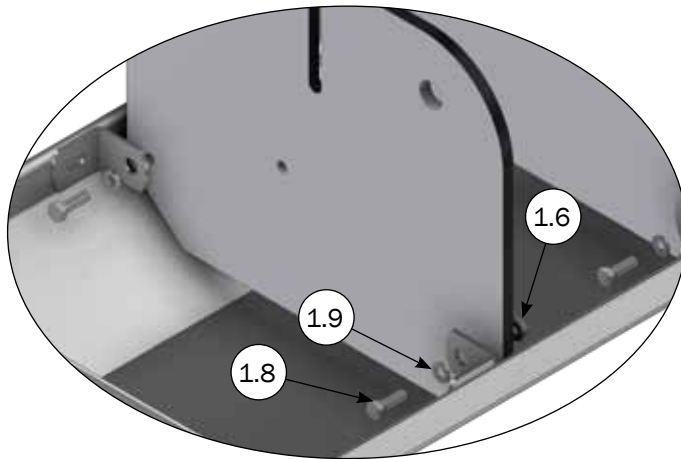


PARTS LIST

No	Pcs	Item no	Description
1	1	4500631	BIOLINE 5X2 FEEDING AREAS 4 WEANERS PER FEEDING AREAS H:751,5XD1126XB:430,5 MM
1.1	1	4560636	WALL FOR BIOLINE 5X2 FEEDING AREAS COMPACT PLATE
1.2	2	4560635	END PLATE FOR BIOLINE COMPACTPLATE
1.3	8	30900	WALL BRACKET SMALL
1.4	4	4950955	FLOOR ANGLE 133X44X39 MM A2
1.5	1	3950097	TROUGH FOR BIOLINE 5X2 FEEDING AREAS H:121,4XD:1106,4XB:430,5 MM
1.6	24	68552	M8 FLANGE NUT DIN 6923 A2
1.7	4	4560634	CENTRE PLATE FOR BIOLINE COMPACT PLATE
1.8	22	30308025	SET SCREW M8X25 A2 DIN 933
1.9	32	35600037	FLAT WASHER Ø8X8,4/16/1,6 A2 DIN 125 A
2.0	6	30308030	SET SCREW M8X30 A2 DIN 933
2.1	2	4950581	Z BRACKET FOR COMP-O-FLEX
2.2	4	33908001	LOCK NUT M8 A2 DIN 985

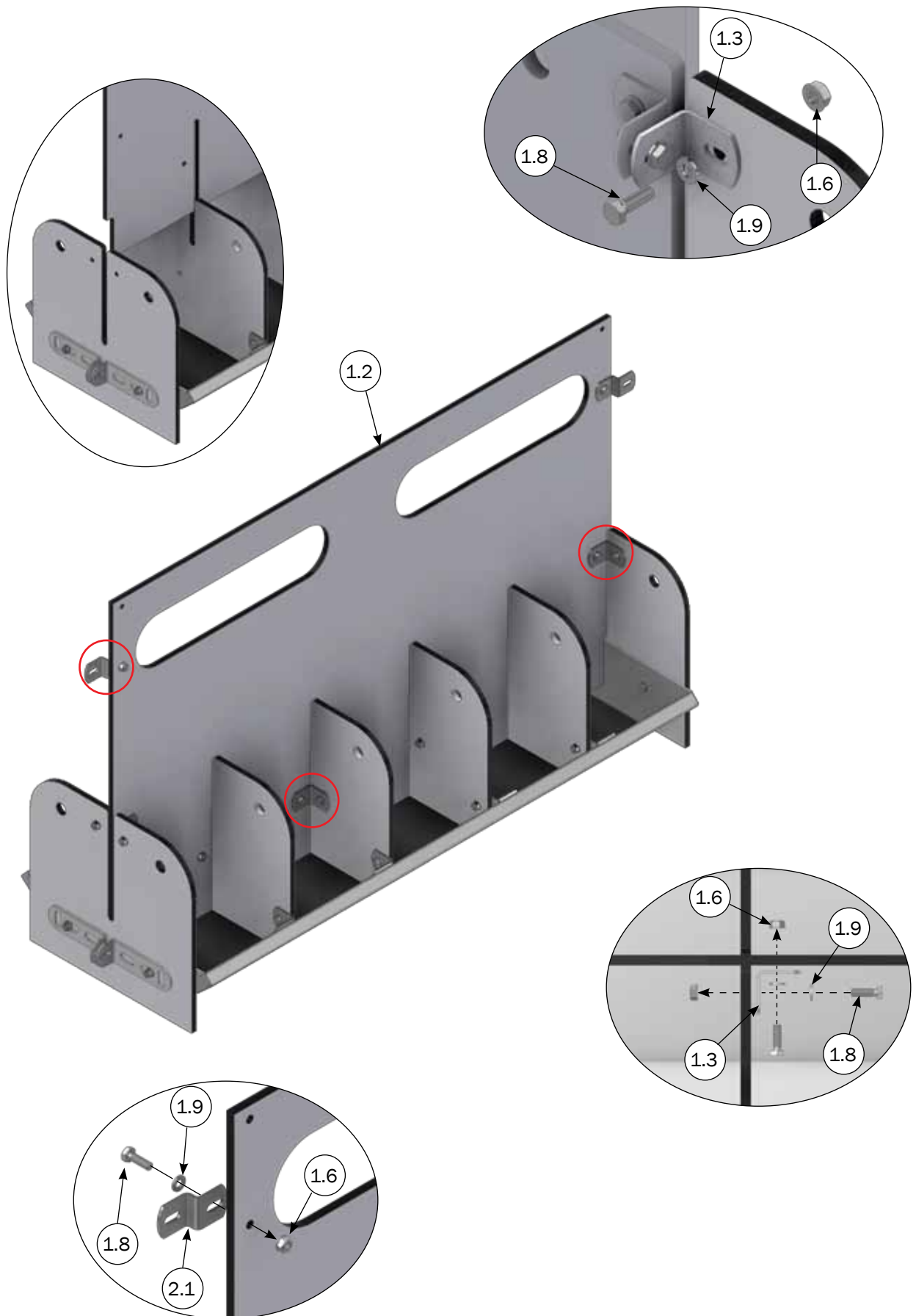
Mounting of centre/end plates on trough for bioline

Look at page 4 for parts list



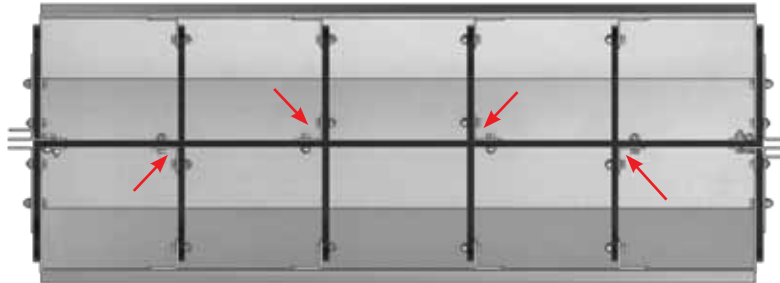
Wall mounted on centre/end plates and brackets for comp-o-flex

Look at page 4 for parts list

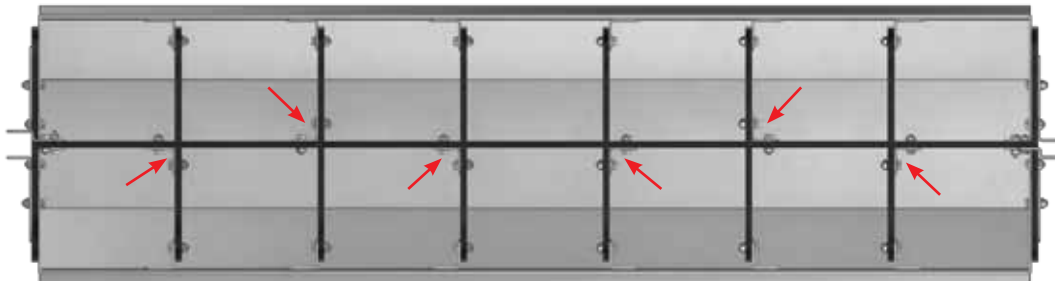


Position of wall brackets on centre plates and wall for bioline

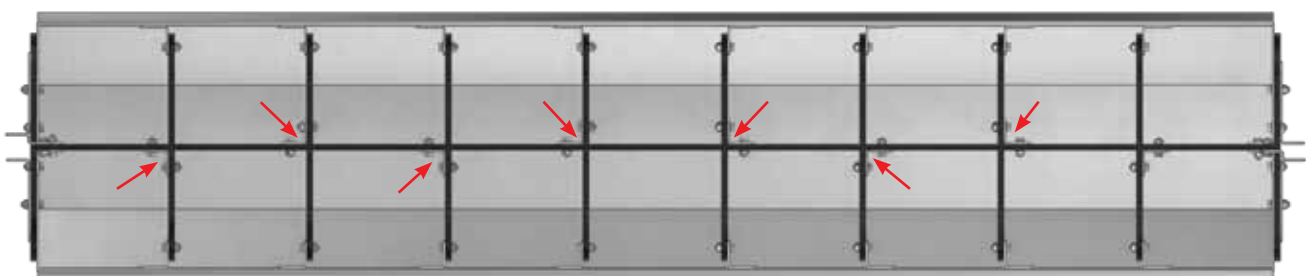
Mounted Wall brackets on Bioline with 2x5 feeding areas



Mounted Wall brackets on Bioline with 2x7 feeding areas

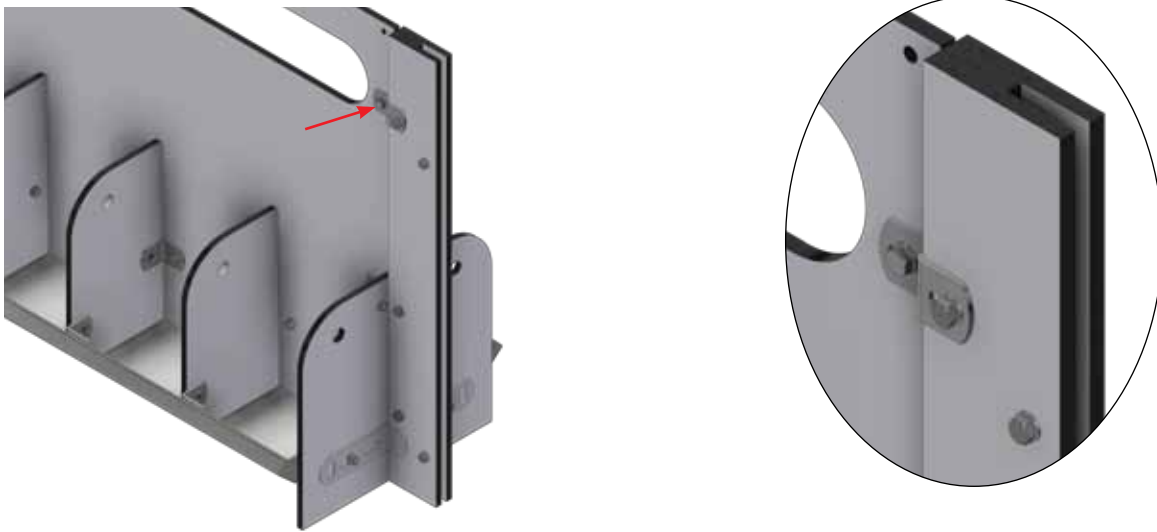


Mounted Wall brackets on Bioline with 2x9 feeding areas

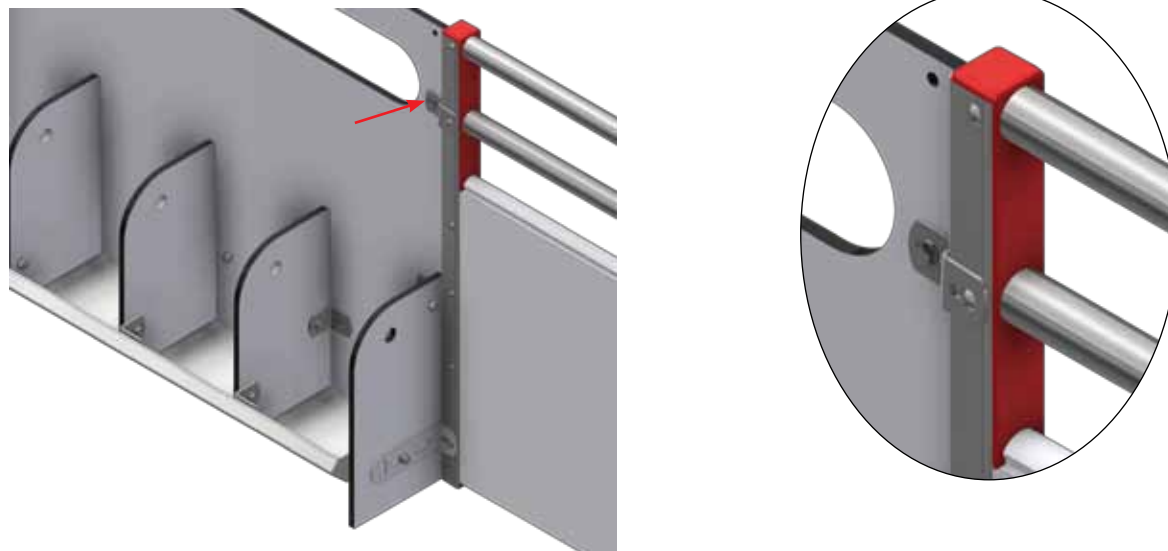


Mounting of bioline

Mounted on post for fiber



Mounted on U-post



Mounted on post

