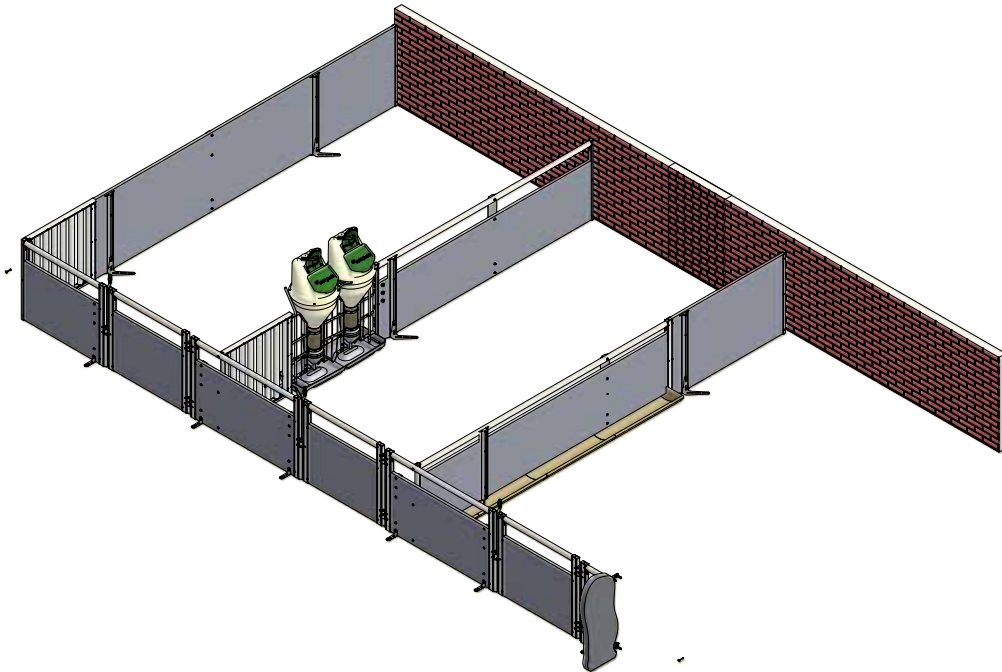


MOUNTING INSTRUCTION



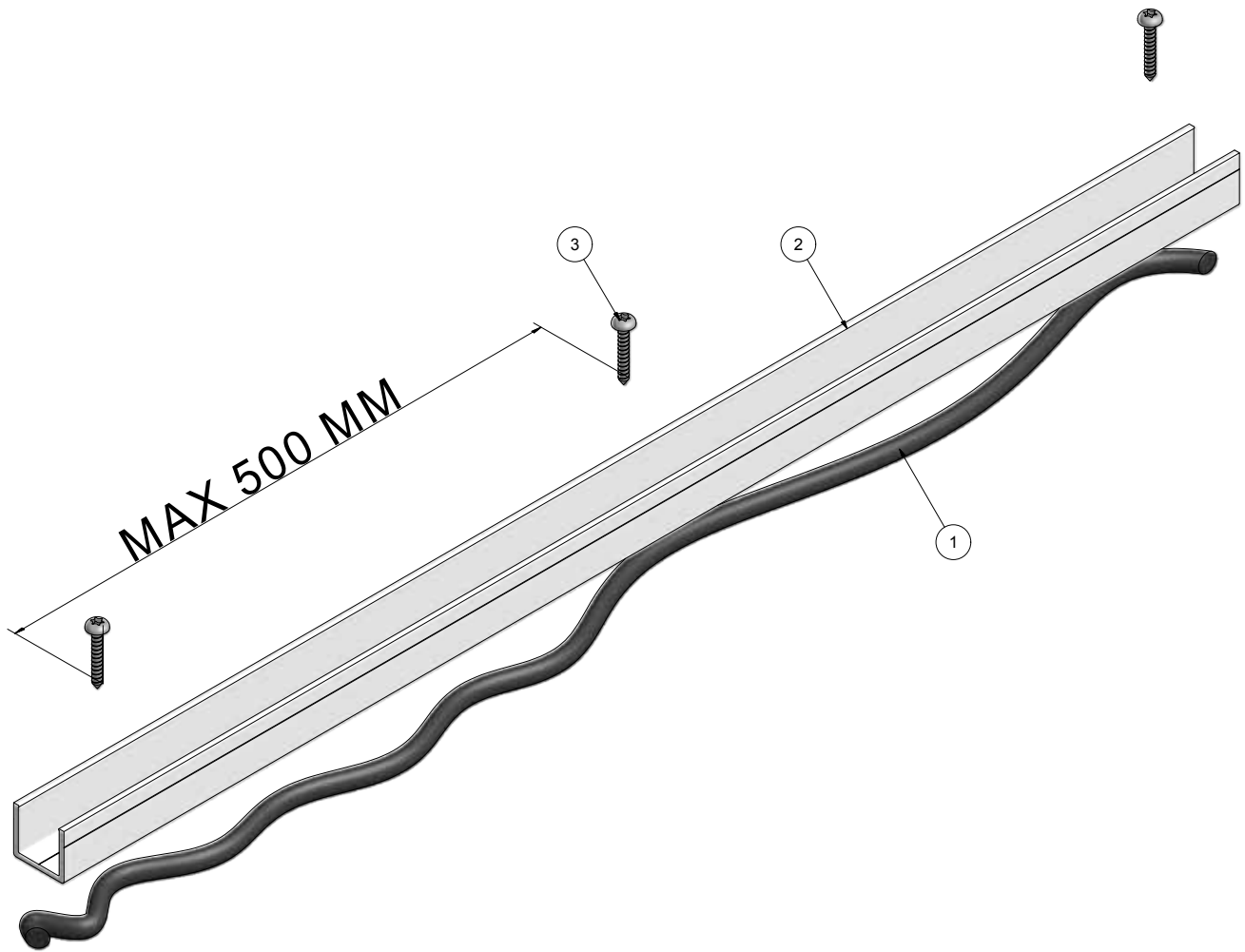
FUNKI FLEX VER. 2 Finisher



ACO FUNKI A/S
Kirkevænget 5
DK-7400 Herning

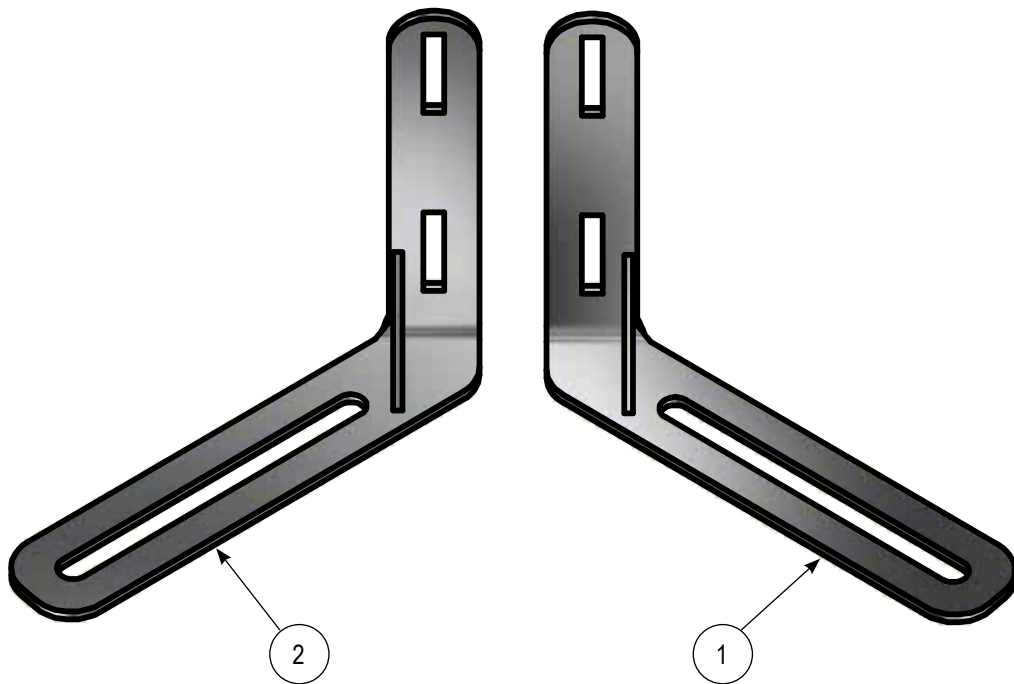
Tel. +45 9711 9600
www.acofunki.com
www.egebjerg.com

FUNKI



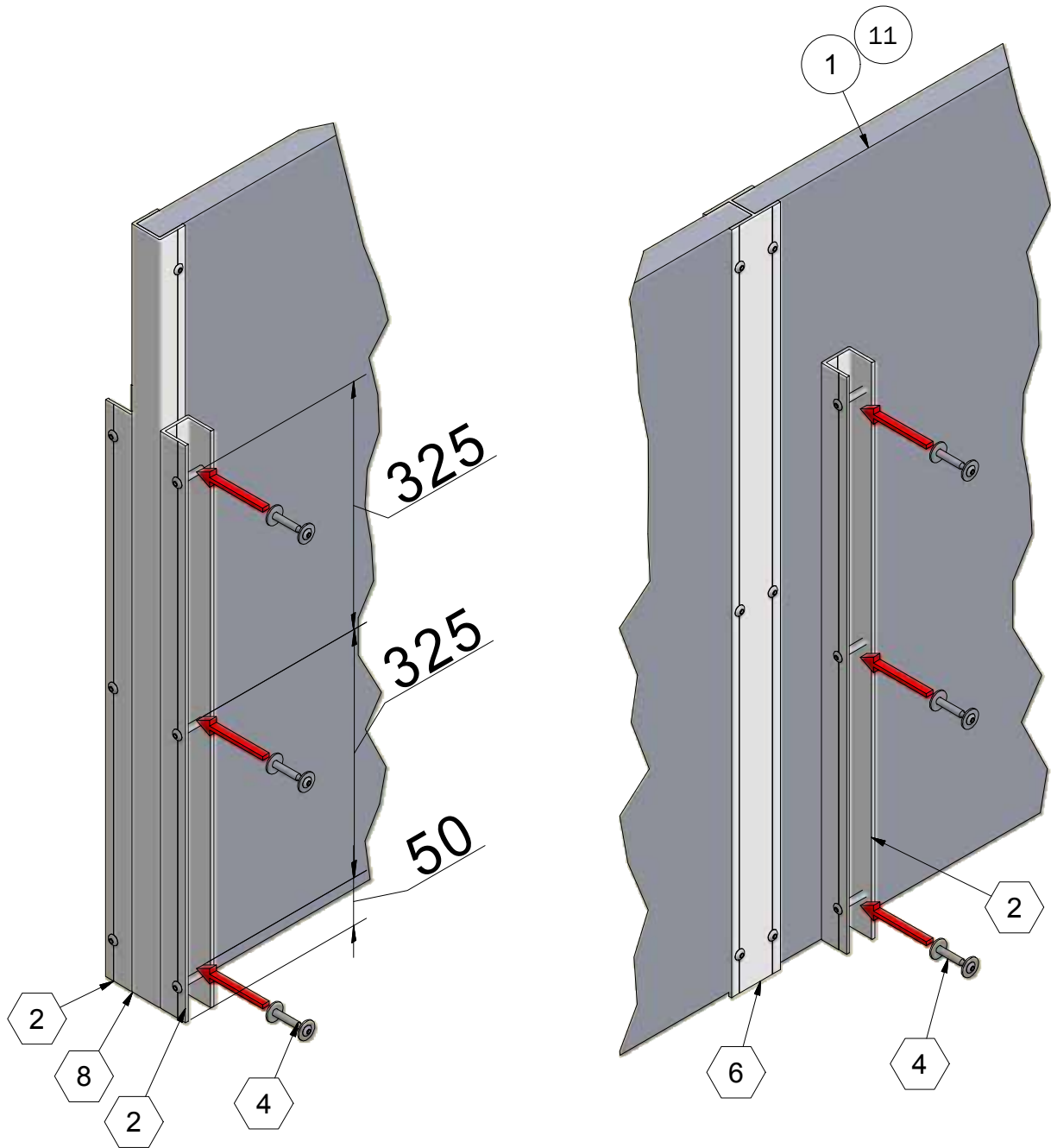
Item	QTY	Part No	Description
1		23900078*	SIKAFLEX SEALING COMPOUND 600 ML FOR 30 METER
2		2900358*	U-PROFILE PVC 6,5 METER
3		39406050*	CONCRETE SCREW 6,5 X 50

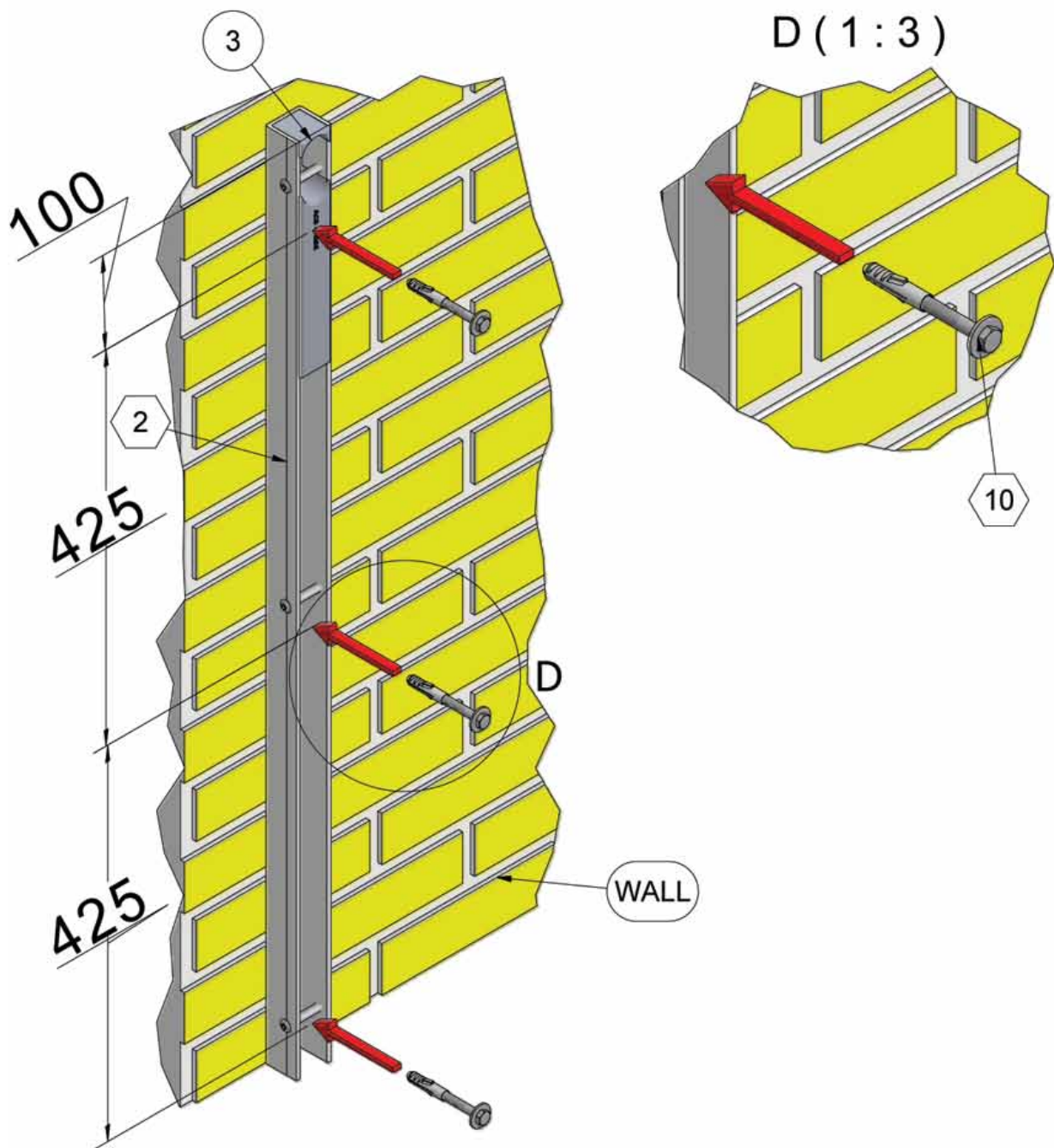
* Fitted when needed.



Item	QTY	Part No	Description
1	1	4150612	STAINLESS STEEL FOUNDATION PLATE RIGHT FOR FUNKI FLEX
2	1	4150613	STAINLESS STEEL FOUNDATION PLATE LEFT FOR FUNKI FLEX

For mounting, look in the Pricebook for fixing in floor .

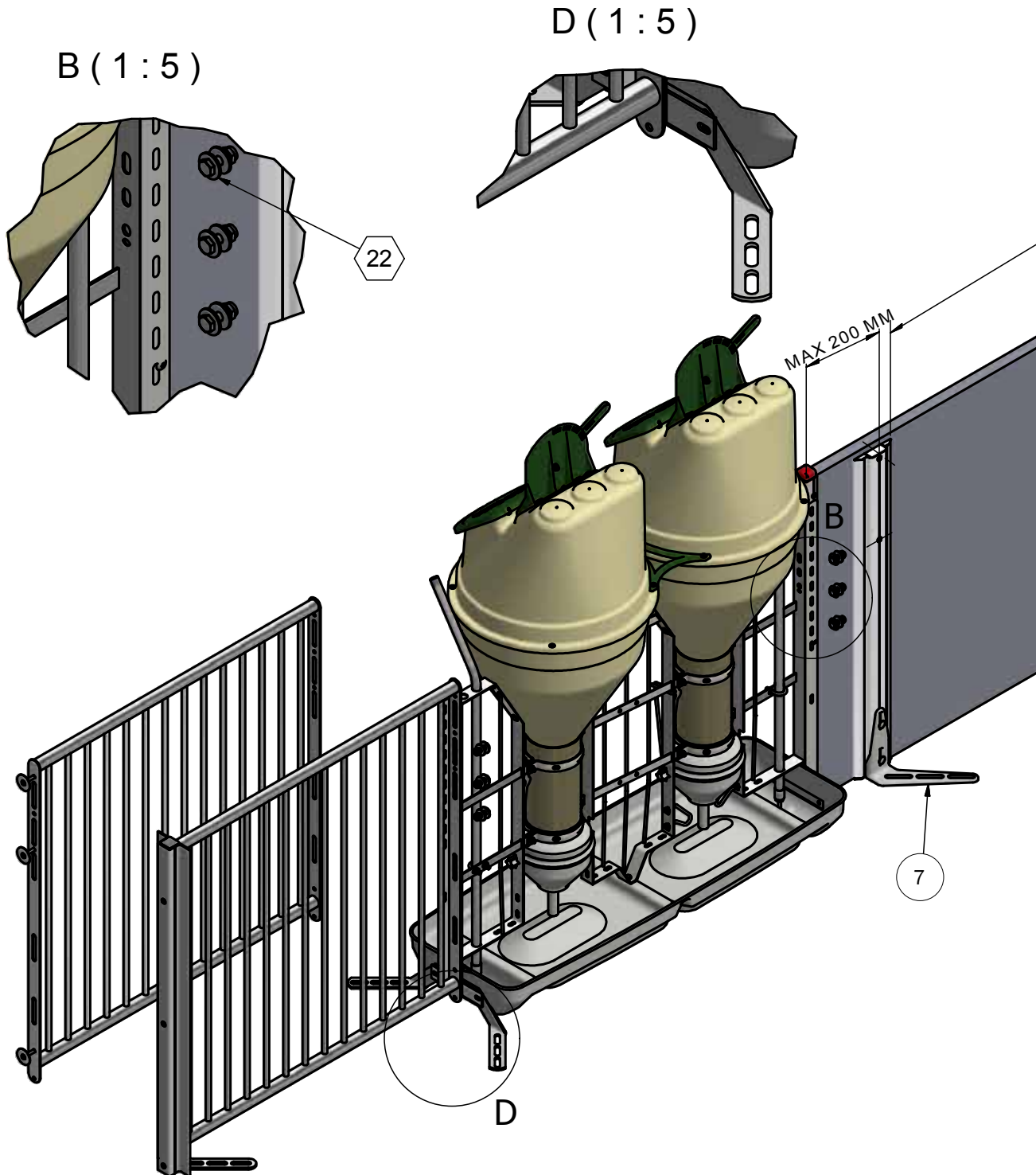


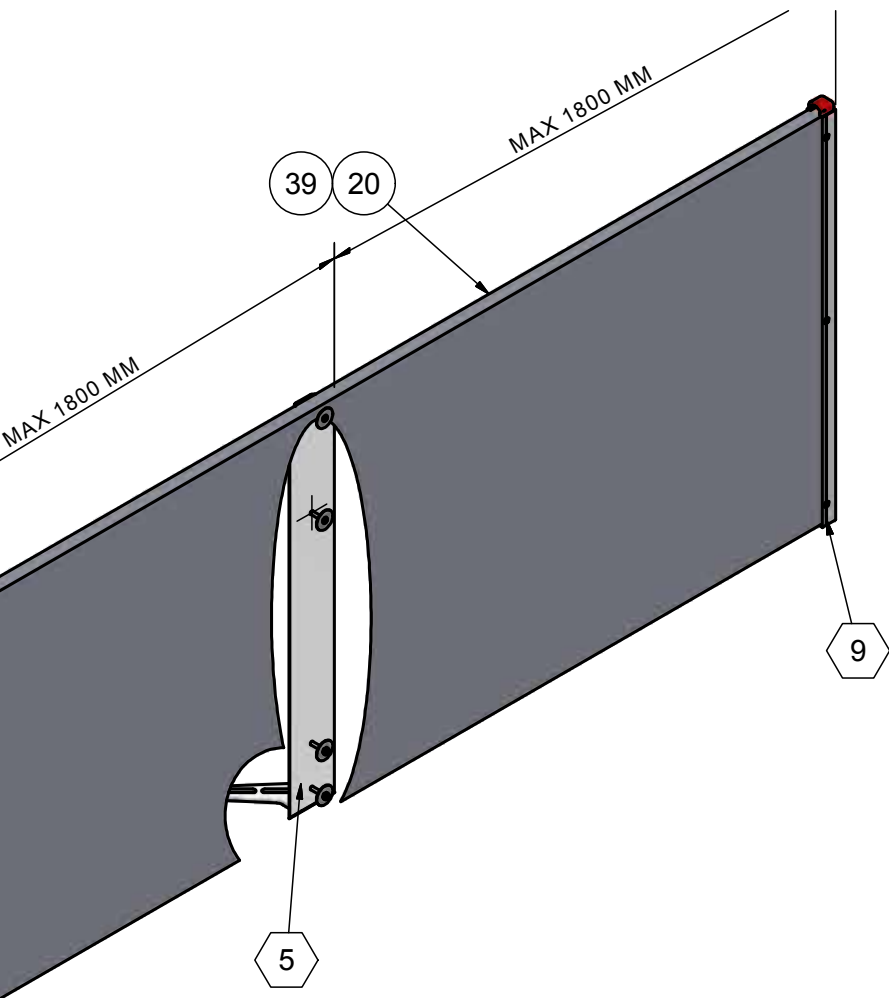


Item	QTY	Part No	Description
1	2	30106	BOARDPROFILE 35X750 MM LENGTH 6 METER
②	4	4100657	U-PROFILE 1005 MM INCL. CONNECTING SCREW
④	4	4900129	BOLTKIT FOR WASHING WALL AND FRONT PARTITION
⑥	1	4100500	H-PROFILE 1005 MM INCL. CONNECTING SCREW
⑧	1	4100657	U-PROFILE 1005 MM INCL. CONNECTING SCREW
⑩	1	4900128	BOLTKIT FOR WALL
11	2	30100	BOARDPROFILE 35X250 MM LENGTH 6 METER

⑥ Sales Bom See the back of the mounting instruction.

M-6174_GB





Item	QTY	Part No	Description
7	(2)	4150612/ 4150613	FOUNDATION PLATE RIGHT FOR PVC POST STAINLESS STEEL
⑨	3+1*	3100312	UPROFILE 755 MM INCL. SCREWS
20	1	30106	BOARDPROFILE 35X750 MM LENGTH 6 METER
②②	1	4900130	BOLT KIT UPROFILE AGAINST FEEDER
③④	2	3100063	POST PROFILE FOR FOUNDATION PLATE
③⑦	1*	3100310	HATPROFILE 755 MM
③⑧	1	4900700	SUPPORT FOUNDATION PLATE
39	1	30100	BOARDPROFILE 35X250 MM LENGTH 6 METER

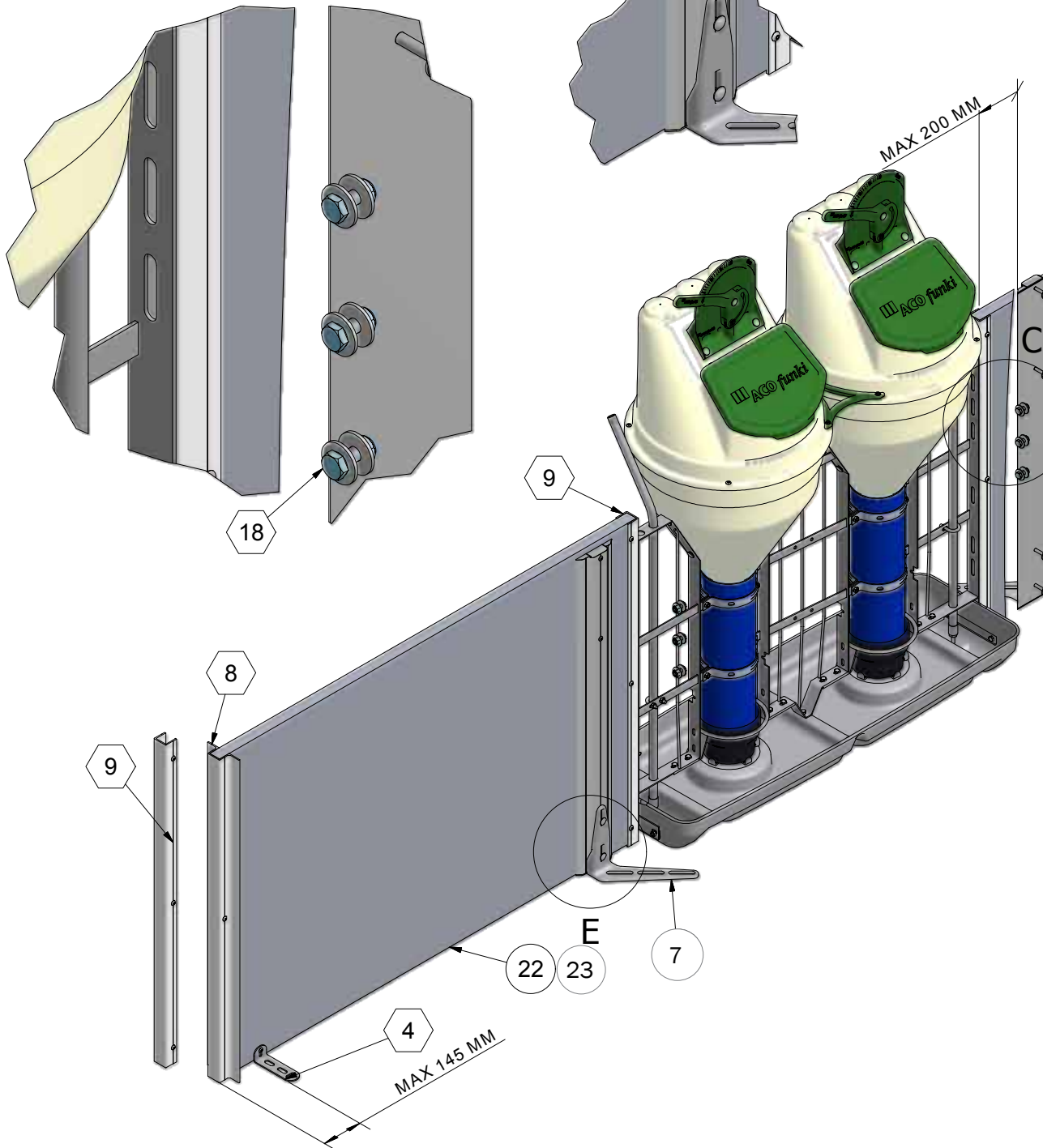
⑨ Sales Bom See the back of the mounting instruction.

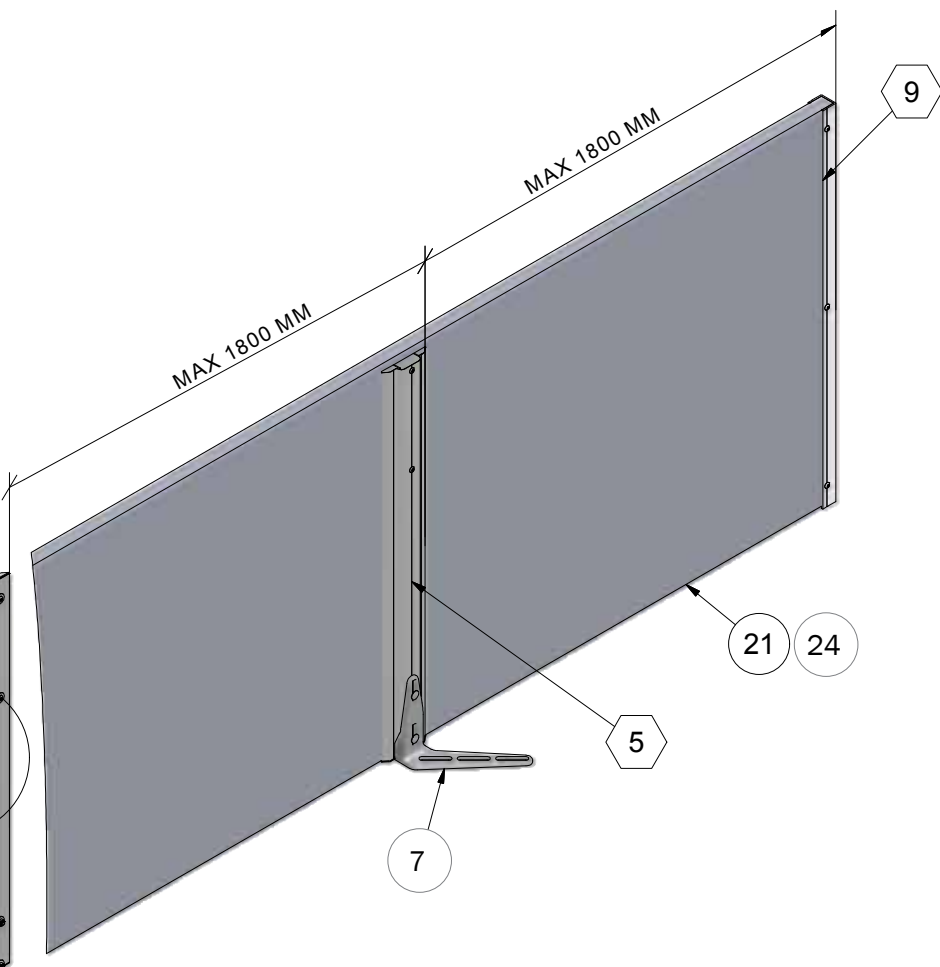
() Available in stainless steel, right or left.

* Depending on the front.

C (1:3)

E (1:6)



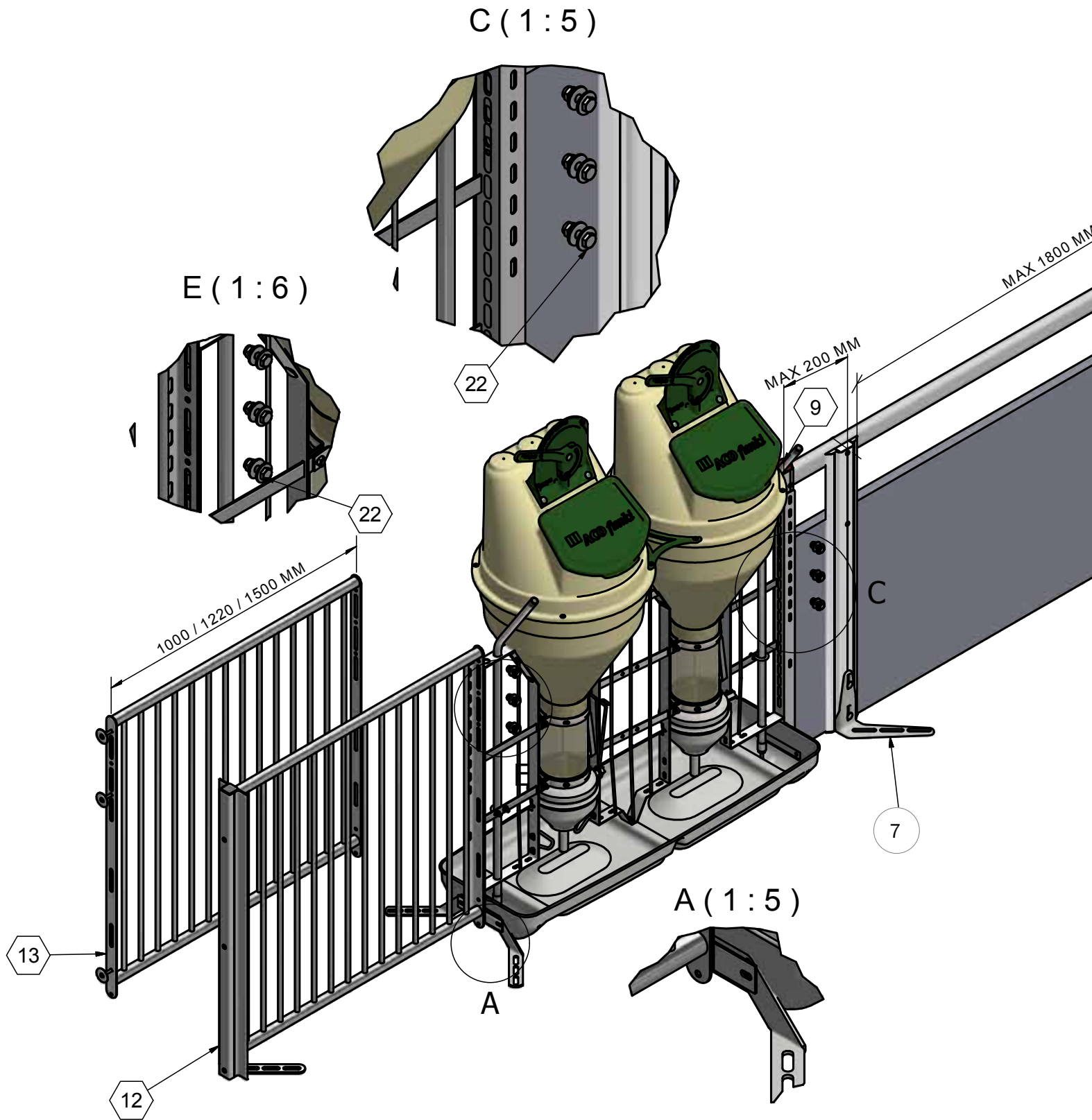


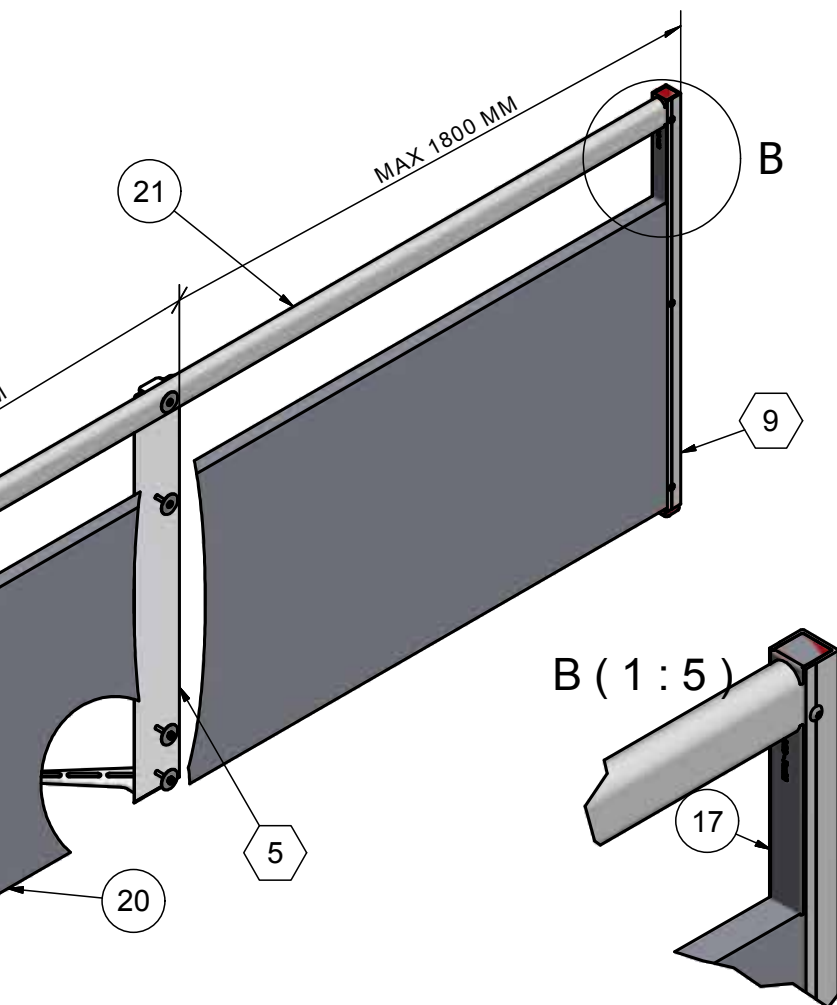
Item	QTY	Part No	Description
④	1	4900700	SUPPORT FOUNDATION PLATE
⑤	3	4100304	POST PROFILE FOR FOUNDATION PLATE
7	(3)	4150612/4150613	FOUNDATION PLATE RIGHT FOR PVC POST STAINLESS STEEL
⑧	1*	4100658	HAT PROFILE 1005 MM
⑨	3+1*	4100657	U-PROFILE 1005 MM INCL. CONNECTING SCREW
⑩	2	4900130	BOLT KIT UPROFILE AGAINST FEEDER
21	1	30106	BOARDPROFILE 35X750 MM LENGTH 6 METER
22	1	30106	BOARDPROFILE 35X750 MM LENGTH 6 METER
23	1	30100	BOARDPROFILE 35X250 MM LENGTH 6 METER
24	1	30100	BOARDPROFILE 35X250 MM LENGTH 6 METER

④ Sales Bom See the back of the mounting instruction.

() Available in stainless steel, right or left.

* Depending on the front.





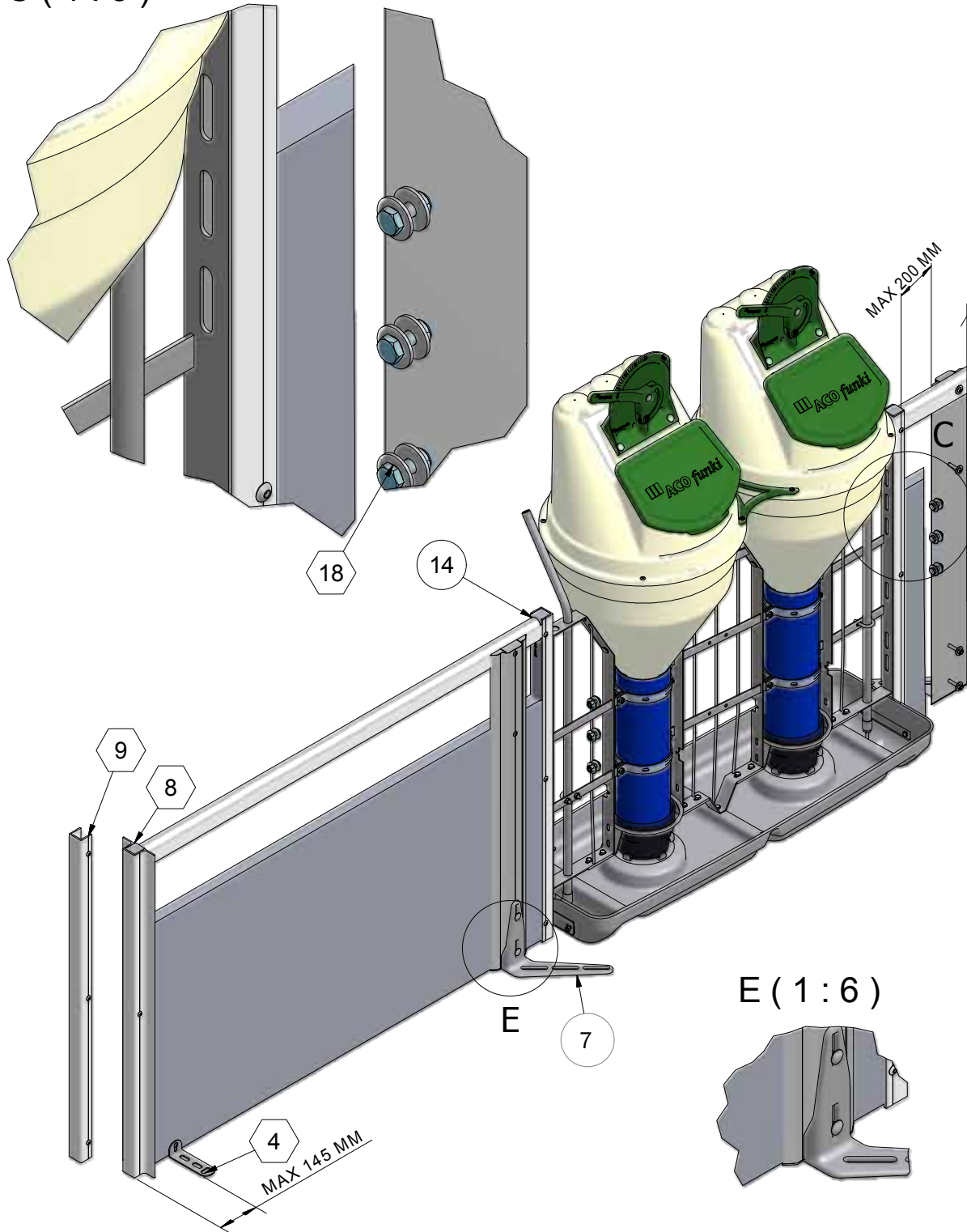
Item	QTY	Part No	Description
5	2	4100304	POST PROFILE FOR FOUNDATION PLATE
7	(2)	4150612/4150613	FOUNDATION PLATE RIGHT FOR PVC POST STAINLESS STEEL
9	2	4100657	U-PROFILE 1005 MM INCL. CONNECTING SCREW
12	1*	4110873/874/875	STAINLESS STEEL CONTACTGRILLE H:1010 L:1000 WITH FOUNDATION PLATE
13	1*	4100873/874/875	STAINLESS STEEL CONTACTGRILLEH:1000 L:1000 WITH SCREW
17	2	8500254	INSERT FOR SINGLE 70X35 MM BOARED
20	1	30106	BOARDPROFILE 35X750 MM LENGTH 6 METER
21	1	9340350	BOARD PROFILE 70X35 OVAL SPEC.LENGTH, PRICE PER METER
22	2	4900130	BOLT KIT UPROFILE AGAINST FEEDER

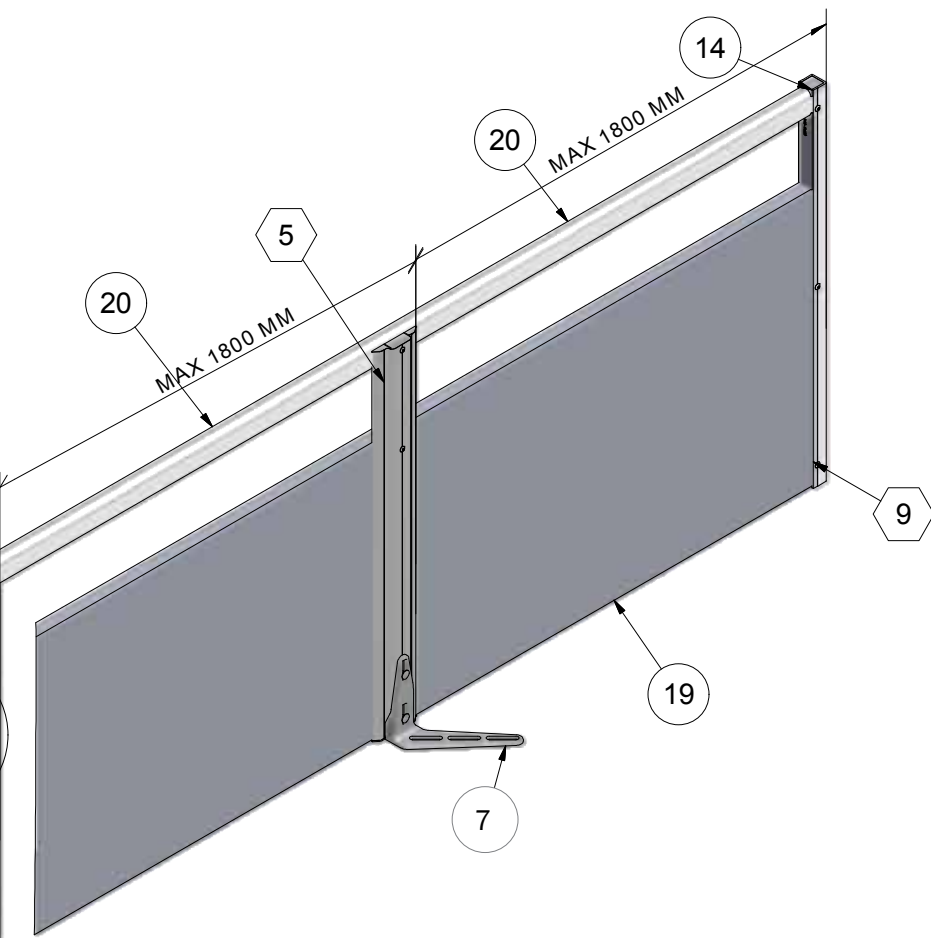
⬡ Sales Bom See the back of the mounting instruction.

() Available in stainless steel, right or left.

* Depending on the front.

C (1:3)



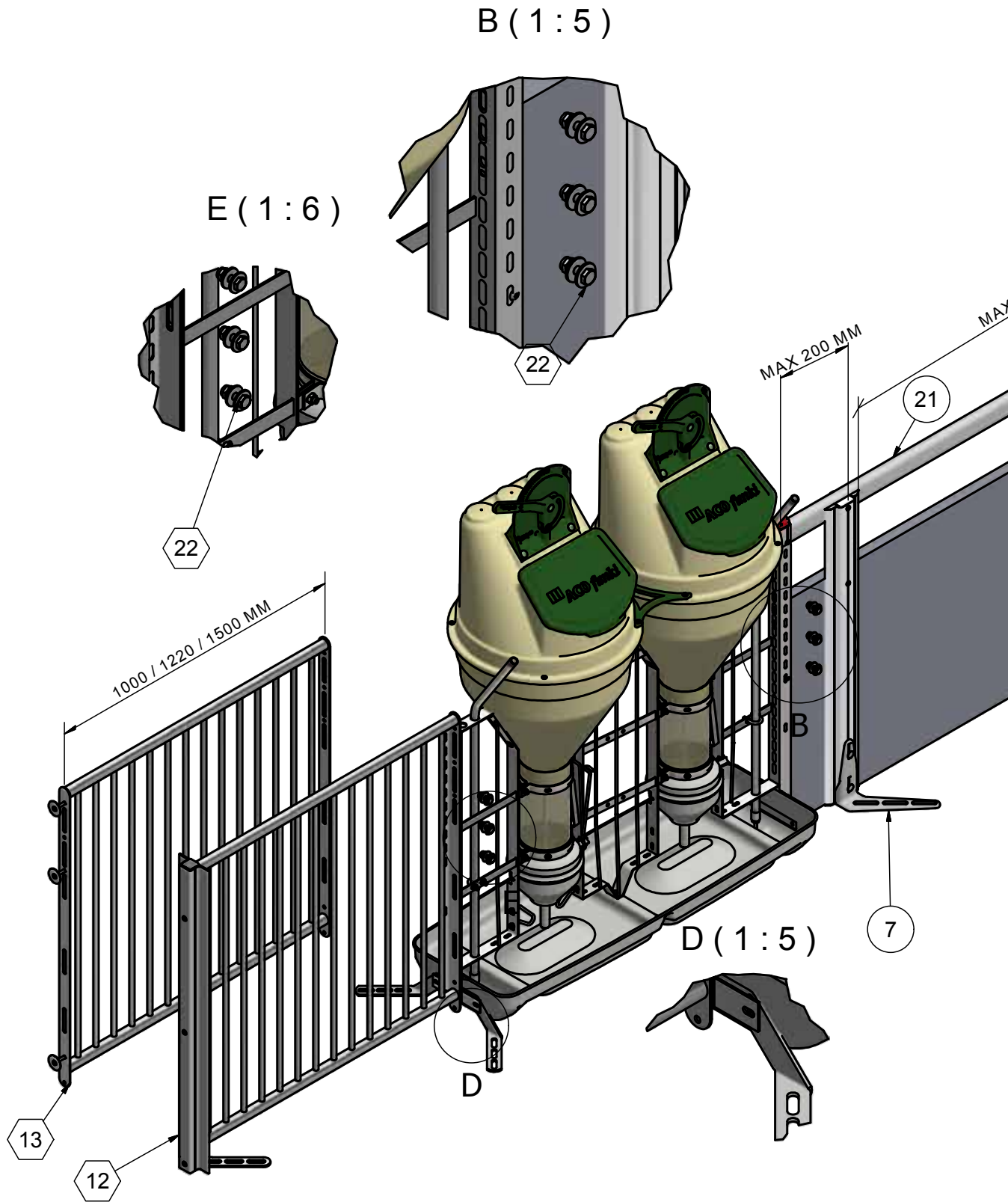


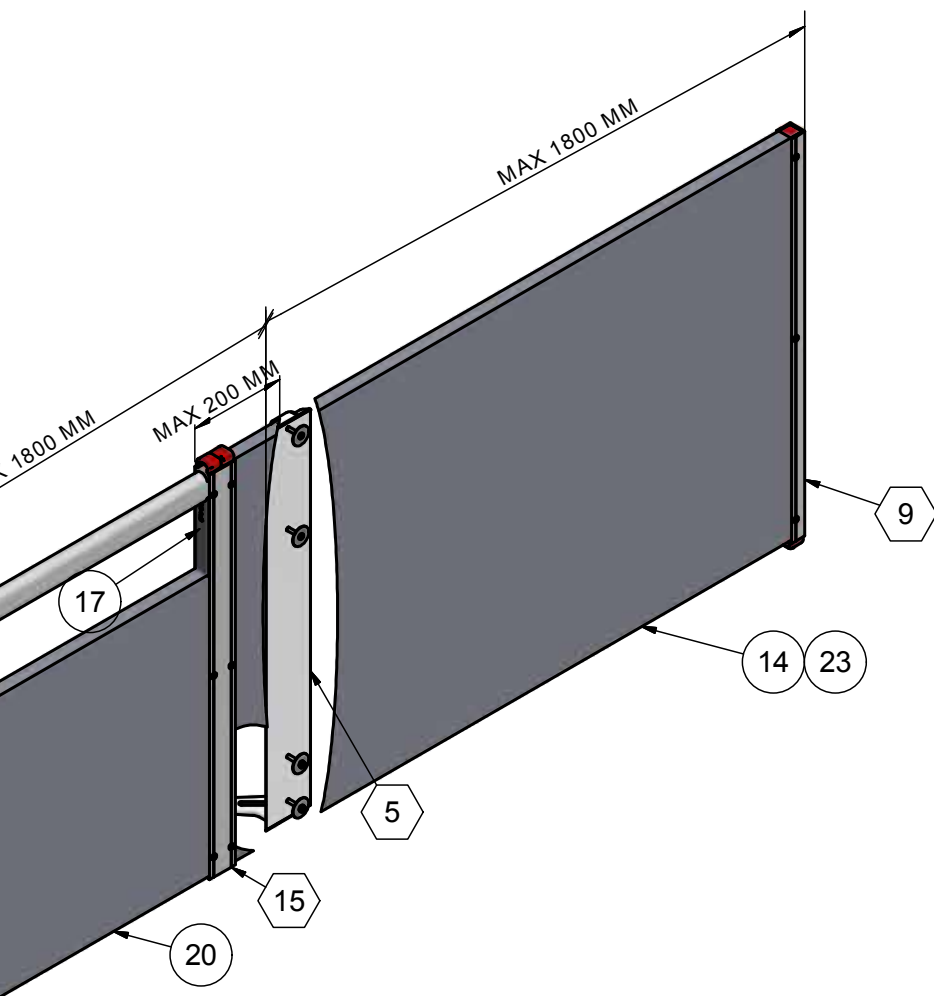
Item	QTY	Part No	Description
4	1	4900700	SUPPORT FOUNDATION PLATE
5	3	4100304	POST PROFILE FOR FOUNDATION PLATE
7	(3)	4150612/4150613	FOUNDATION PLATE RIGHT FOR PVC POST STAINLESS STEEL
8	1*	4100658	HAT PROFILE 1005 MM
9	3+1*	4100657	U-PROFILE 1005 MM INCL. CONNECTING SCREW
14	4	8500254	INSERT FOR SINGLE 70X35 MM BOARED
13	2	4900130	BOLT KIT UPROFILE AGAINST FEEDER
19	1	30106	BOARDPROFILE 35X750 MM LENGTH 6 METER
20	1	9340350	BOARD PROFILE 70X35 OVAL SPEC.LENGTH, PRICE PER METER

⬡ Sales Bom See the back of the mounting instruction

() Available in steel, right or left.

* Depending ofn the front.





Item	QTY	Part No	Description
5	2	4100304	POST PROFILE FOR FOUNDATION PLATE
7	(2)	4150612/4150613	FOUNDATION PLATE RIGHT FOR PVC POST STAINLESS STEEL
9	2	4100657	U-PROFILE 1005 MM INCL. CONNECTING SCREW
12	1*	4110873/874/875	STAINLESS STEEL CONTACTGRILLE H:1010 L:1000 WITH FOUNDATION PLATE
13	1*	4100873/874/875	STAINLESS STEEL CONTACTGRILLEH:1000 L:1000 WITH SCREW
14	1	30106	BOARDPROFILE 35X750 MM LENGTH 6 METER
15	1	4100500	H-PROFILE 1005 MM INCL. CONNECTING SCREW
17	2	8500254	INSERT FOR SINGLE 70X35 MM BOARED
20	1	30106	BOARDPROFILE 35X750 MM LENGTH 6 METER
21	1	9340350	BOARD PROFILE 70X35 OVAL SPEC.LENGTH, PRICE PER METER
22	2	4900130	BOLT KIT UPROFILE AGAINST FEEDER
23	1	30100	BOARDPROFILE 35X250 MM LENGTH6 METER

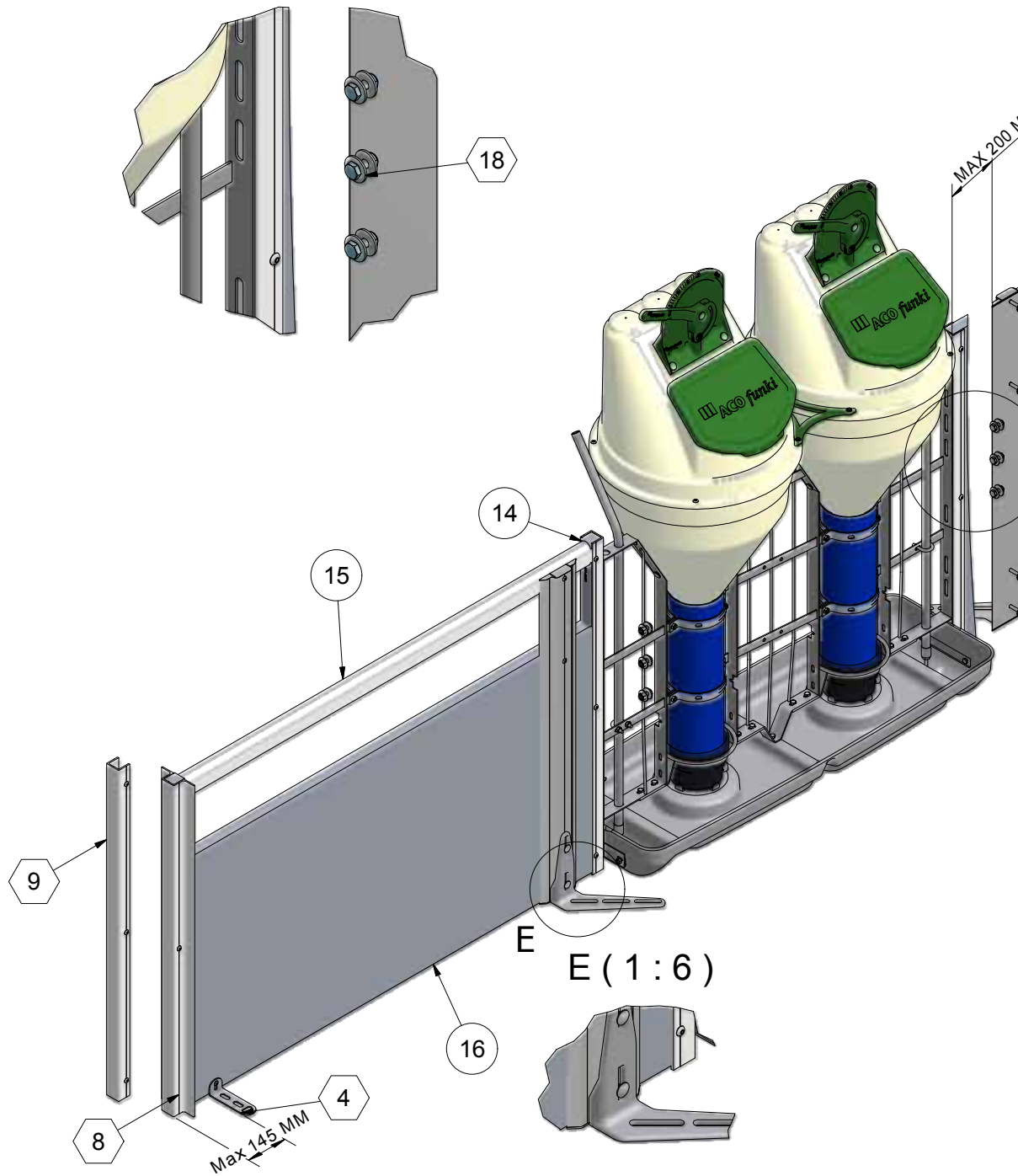
⬡ Sales Bom See the back of the mounting instruction

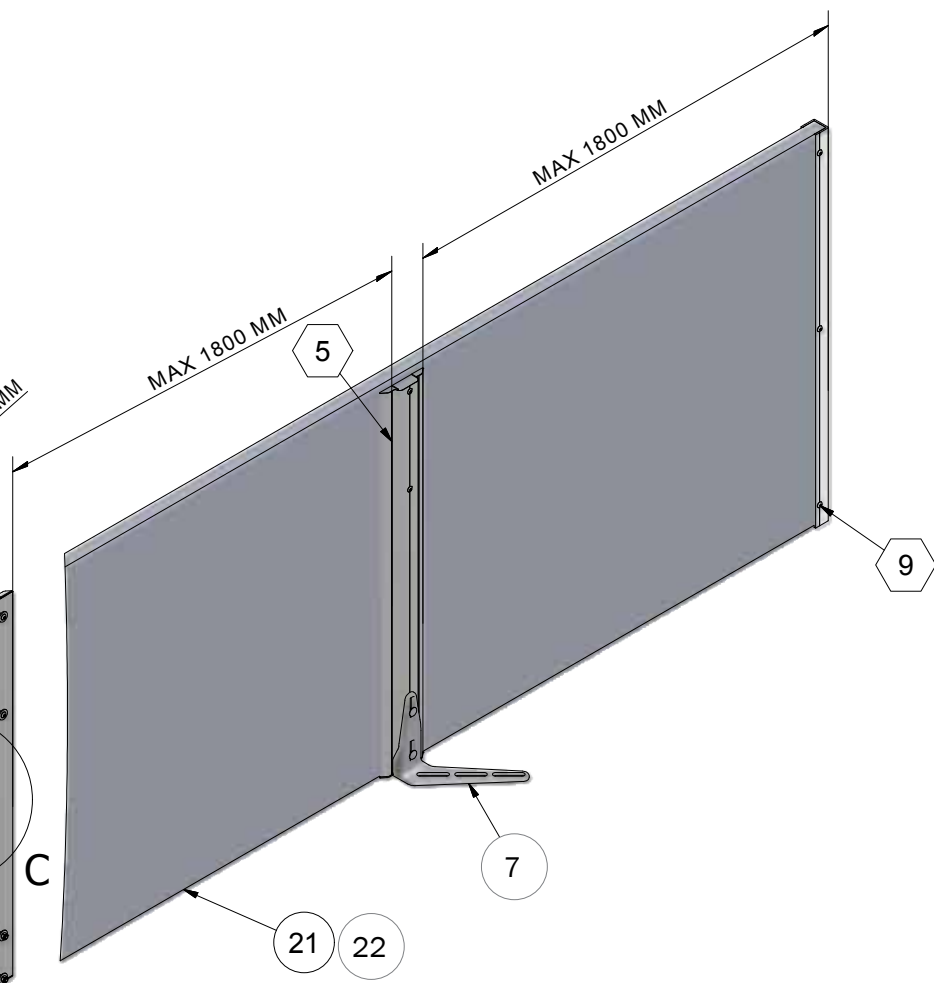
() Available in stainless steel, right or left.

* Depending on the front.

M-6174_GB

C (1:5)



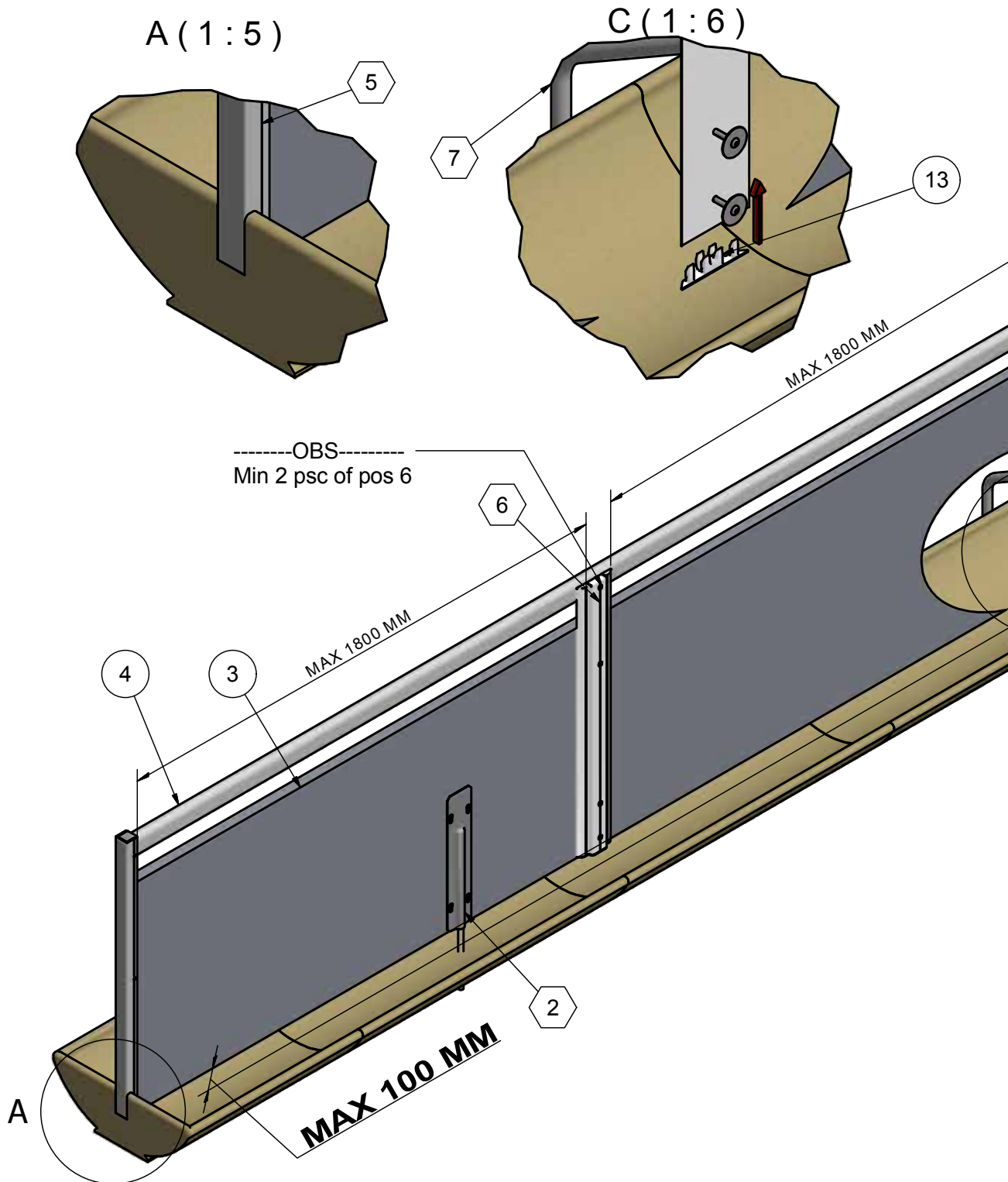


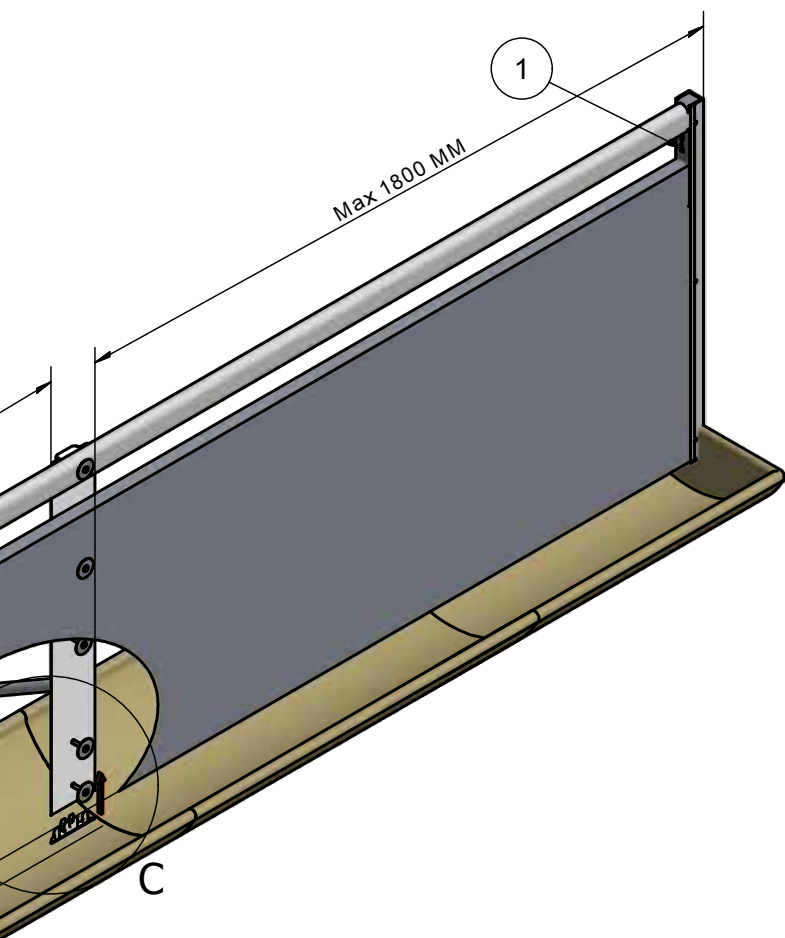
Item	QTY	Part No	Description
④	1	4900700	SUPPORT FOUNDATION PLATE
⑤	3	4100304	POST PROFILE FOR FOUNDATION PLATE
7	(3)	4150612/4150613	FOUNDATION PLATE RIGHT FOR PVC POST STAINLESS STEEL
⑧	1	4100658	HAT PROFILE 1005 MM
⑨	3+1*	4100657	U-PROFILE 1005 MM INCL. CONNECTING SCREW
14	2	8500254	INSERT FOR SINGLE 70X35 MM BOARDED
15	1	9340350	BOARD PROFILE 70X35 OVAL SPEC.LENGTH, PRICE PER METER
16	1	30106	BOARDPROFILE 35X750 MM LENGTH 6 METER
⑬	2	4900130	BOLT KIT UPROFILE AGAINST FEEDER
21	1	30106	BOARDPROFILE 35X750 MM LENGTH 6 METER
22	1	30100	BOARDPROFILE 35X250 MM LENGTH 6 METER

⑤ Sales Bom See the back of the mounting instruction

() Available in stainless steel, right or left.

* Depending on the front.





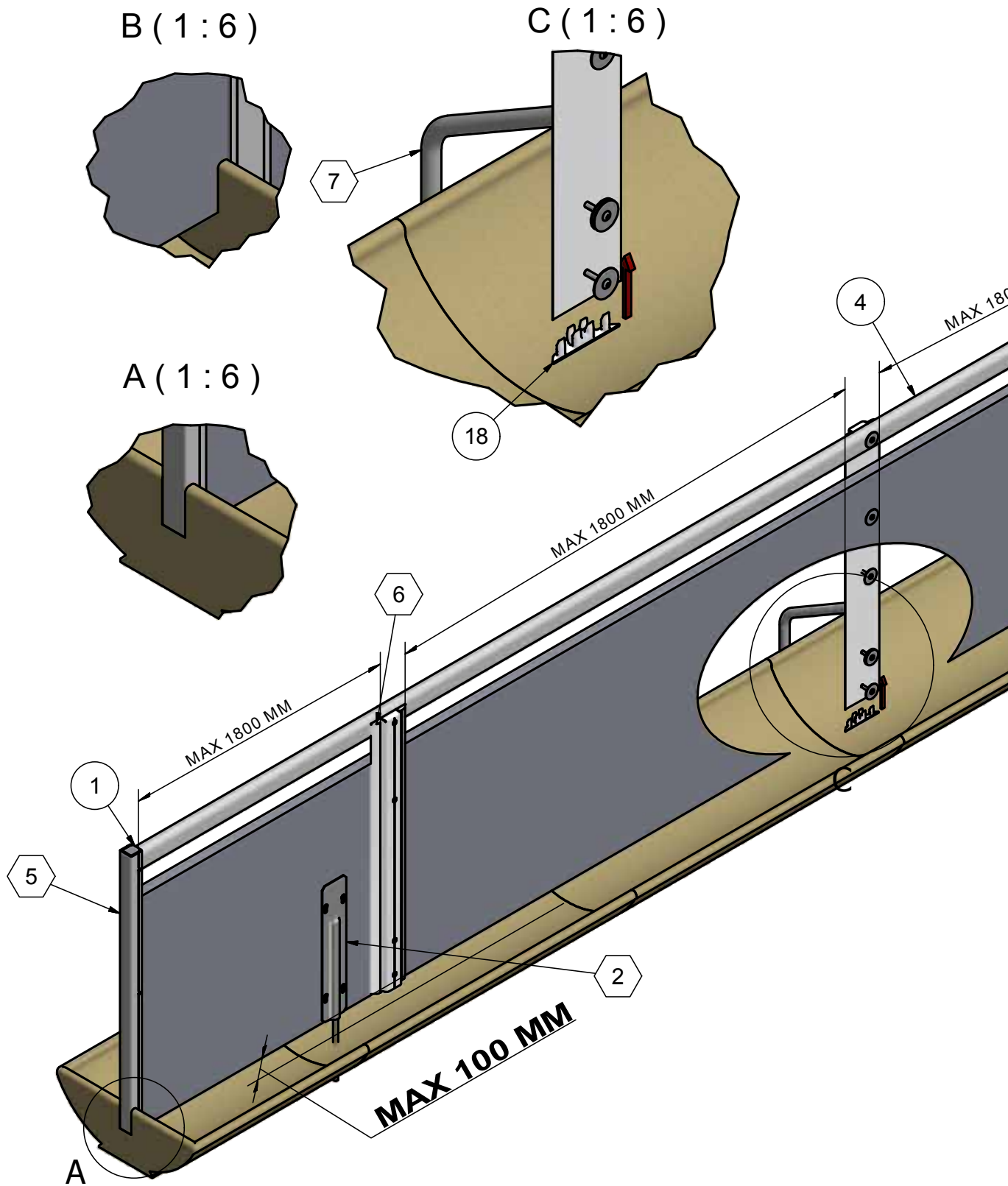
Item	QTY	Part No	Description
1	2	8500254	INSERT FOR SINGLE 70X35 MM BOARED
②	1	36254	STAINLESS STEEL DORN FOR LIQUID WALL MOUNTING KIT
3	1	30106	BOARDPROFILE 35X750 MM LENGTH 6 METER
4	1	9340350	BOARD PROFILE 70X35 OVAL SPEC.LENGTH, PRICE PER METER
⑤	2	4100656	UPROFILE 900 MM INCL. CONNECTING SCREW
⑥	2	4100496	POST PROFILE FOR STABILIZER
⑦	1	4900508	STABILIZATOR KIT
13	1	8500600	COVERING CAP FOR POST

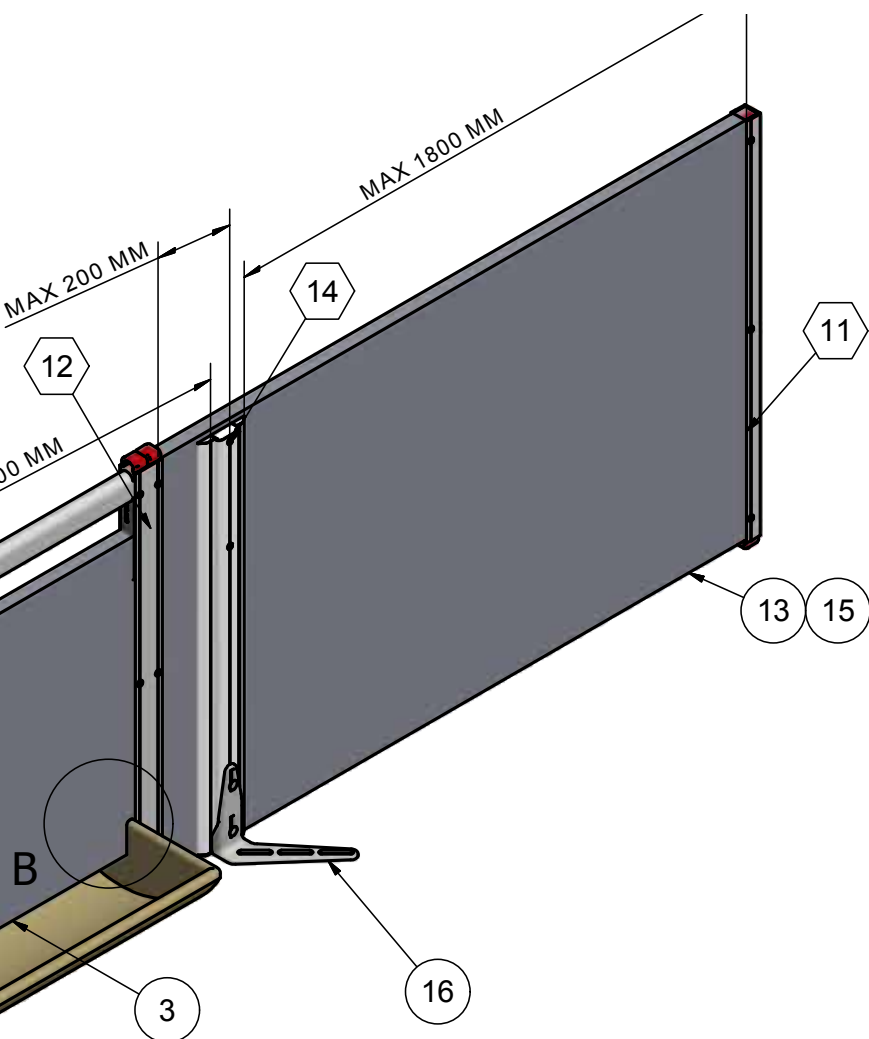
⑥ Sales Bom See the back of the mounting instruction

A: Trough has to be sawn.

B: Ø12 is drilled when there is solid surface.

FF 1000_08





Item	QTY	Part No	Description
1	2	8500254	INSERT FOR SINGLE 70X35 MM BOARED
(2)	1	36254	STAINLESS STEEL DORN FOR LIQUID WALL MOUNTING KIT
3	1	30106	BOARDPROFILE 35X750 MM LENGTH 6 METER
4	1	9340350	BOARD PROFILE 70X35 OVAL SPEC.LENGTH, PRICE PER METER
(5)	1	4100656	UPROFILE 900 MM INCL. CONNECTING SCREW
(6)	2	4100496	POST PROFILE FOR STABILIZER
(7)	1	4900508	STABILIZATOR KIT
(11)	1	4100657	U-PROFILE 1005 MM INCL. CONNECTING SCREW
(12)	1	4100500	H-PROFILE 1005 MM INCL. CONNECTING SCREW
13	1	30106	BOARDPROFILE 35X750 MM LENGTH 6 METER
(14)	1	4100304	POST PROFILE FOR FOUNDATION PLATE
15	1	30100	BOARDPROFILE 35X250 MM LENGTH 6 METER
16	(1)	4150612/4150613	FOUNDATION PLATE RIGHT FOR PVC POST STAINLESS STEEL
18	1	8500600	COVERING CAP FOR POST

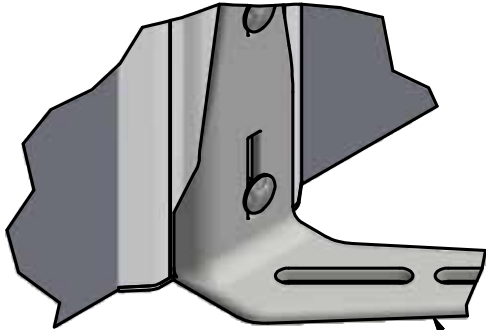
⬡ Sales Bom See the back of the mounting instruction

() Available in stainless steel, right or left.

A: Trough has to be sawn.

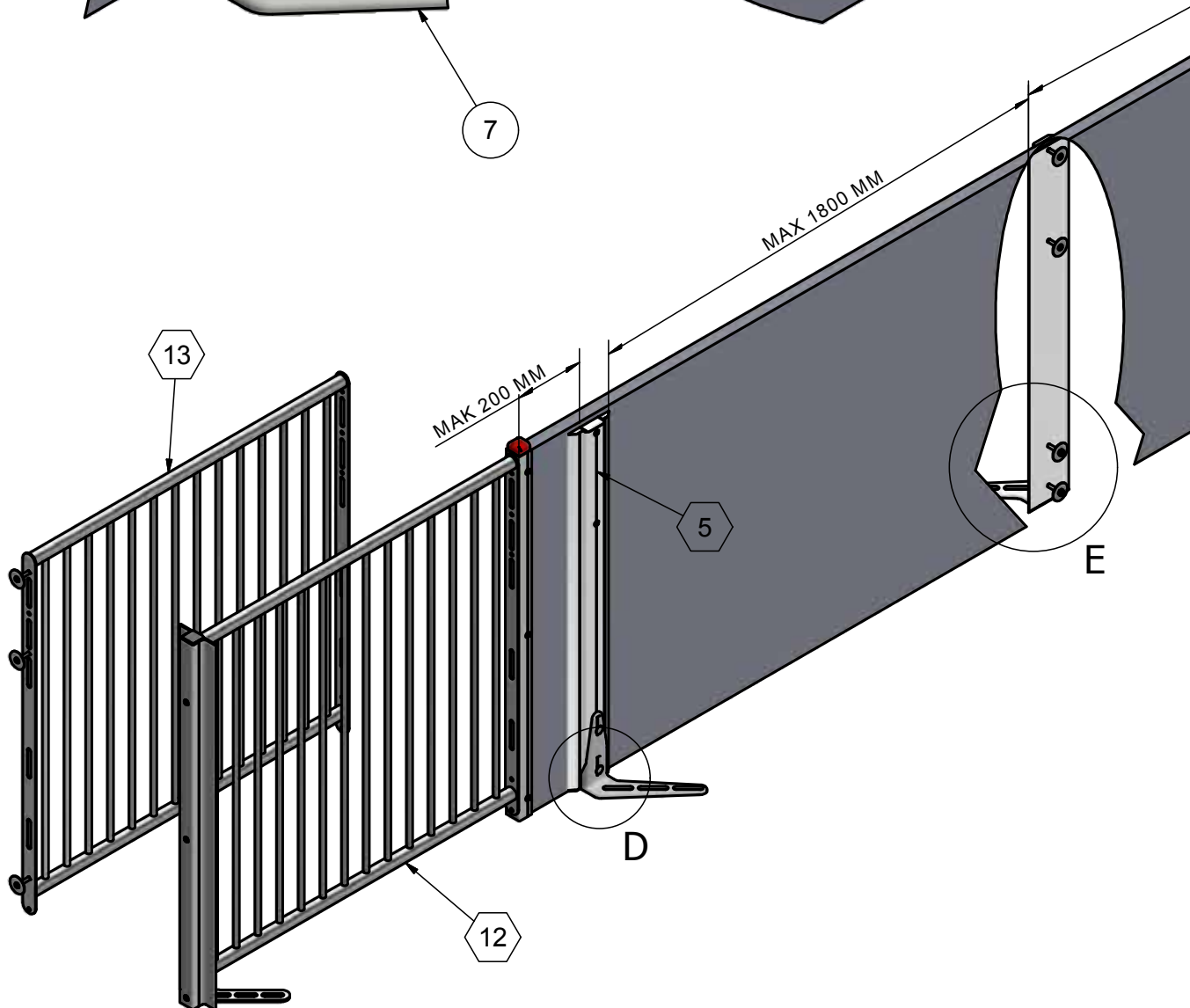
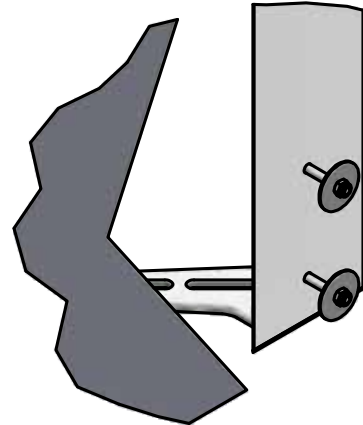
B: Ø12 is drilled when there is solid surface.

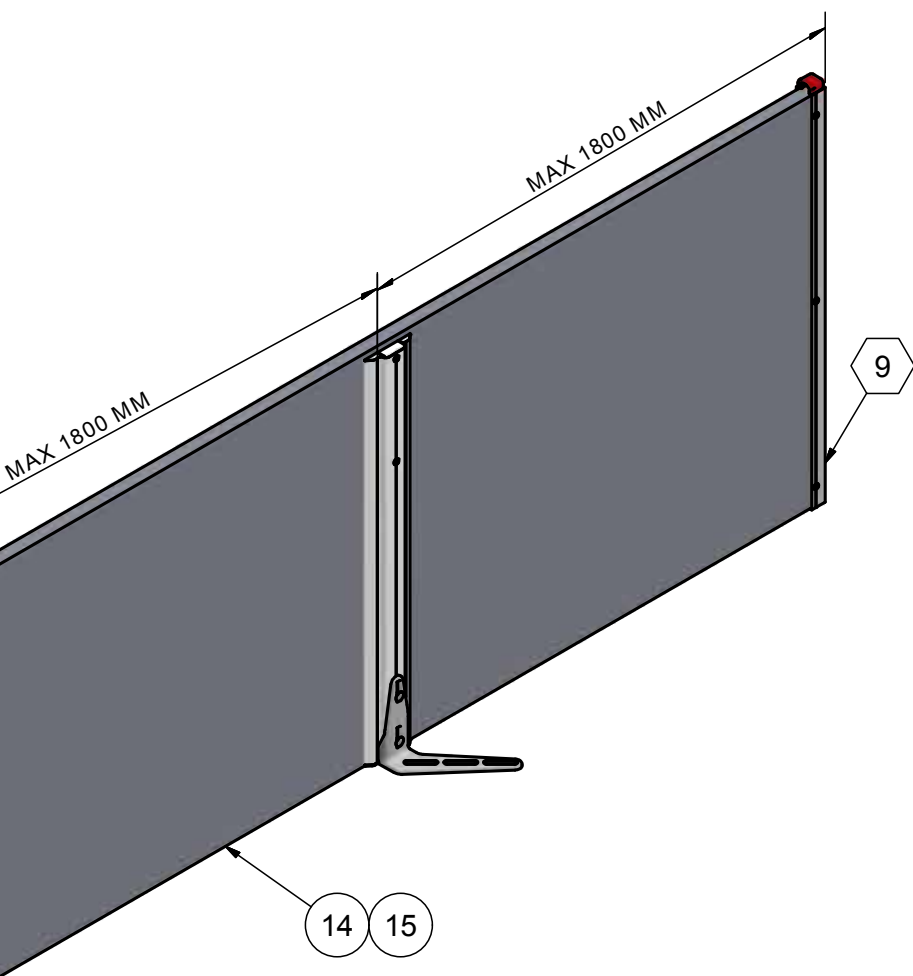
D (1:3)



7

E (1:5)





Item	QTY	Part No	Description
⑤	2	4100304	POST PROFILE FOR FOUNDATION PLATE
7	(3)	4150612/4150613	FOUNDATION PLATE RIGHT FOR PVC POST STAINLESS STEEL
⑨	1	4100657	U-PROFILE 1005 MM INCL. CONNECTING SCREW
⑫	1*	4110873/874/875	STAINLESS STEEL CONTACTGRILLE H:1010 L:1000 WITH FOUNDATION PLATE
⑬	1*	4100873/874/875	STAINLESS STEEL CONTACTGRILLEH:1000 L:1000 WITH SCREW
14	1	30106	BOARDPROFILE 35X750 MM LENGTH 6 METER
15	1	30100	BOARDPROFILE 35X250 MM LENGTH 6 METER

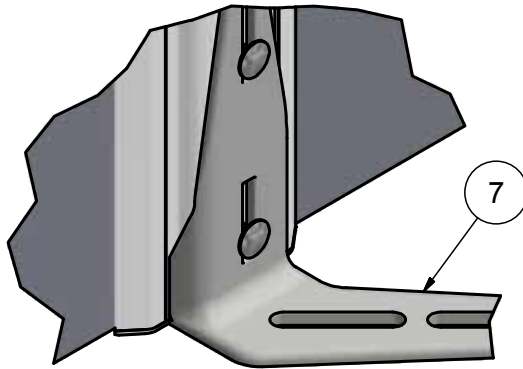
⑤ Sales Bom See the back of the mounting instruction

() Available in stainless steel, right or left.

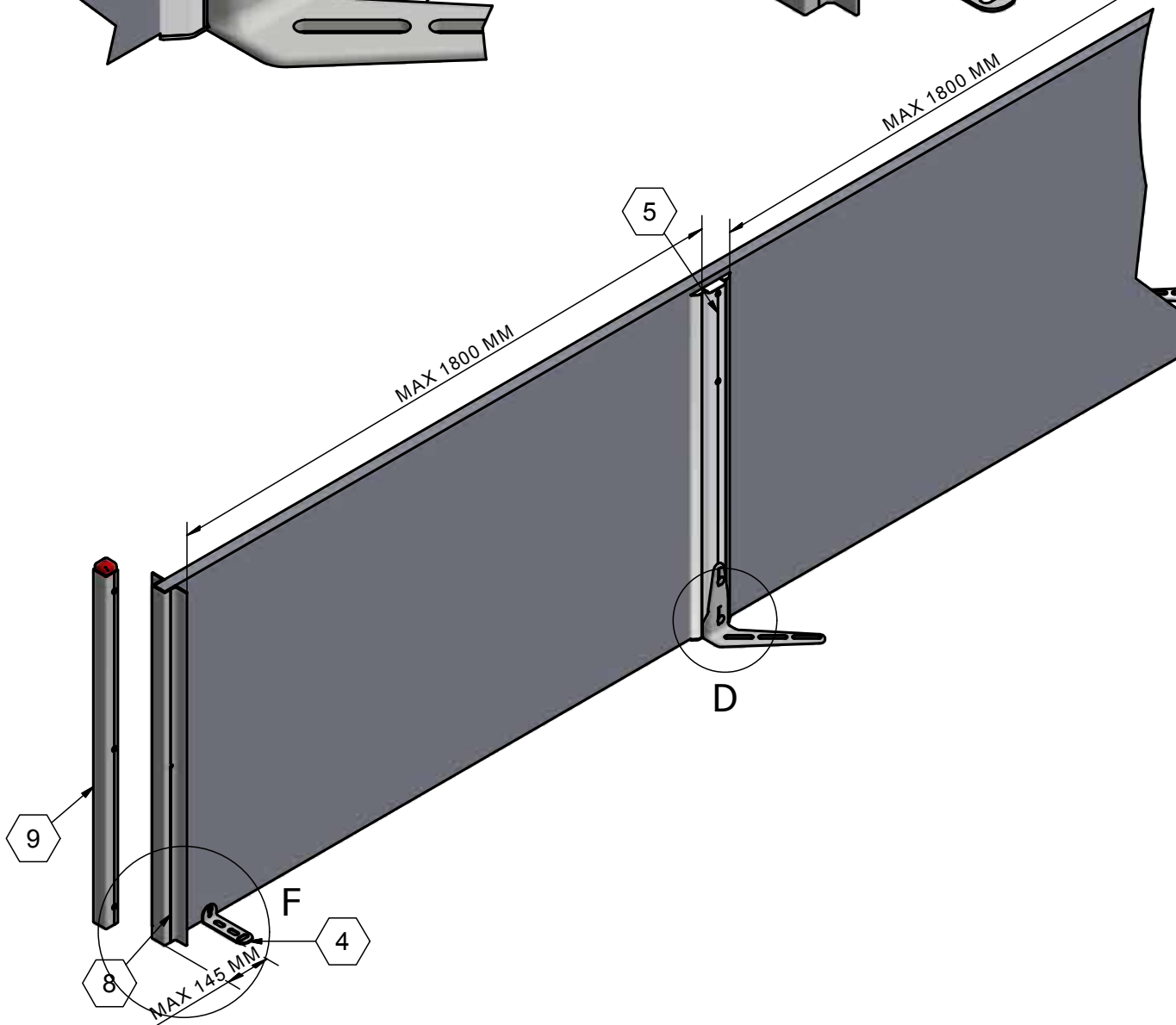
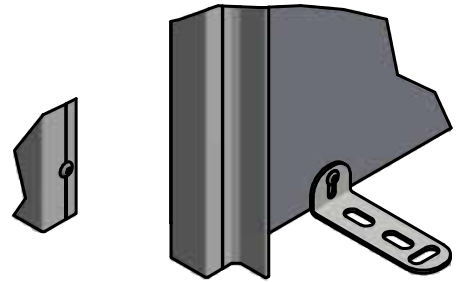
* Depending on the front.

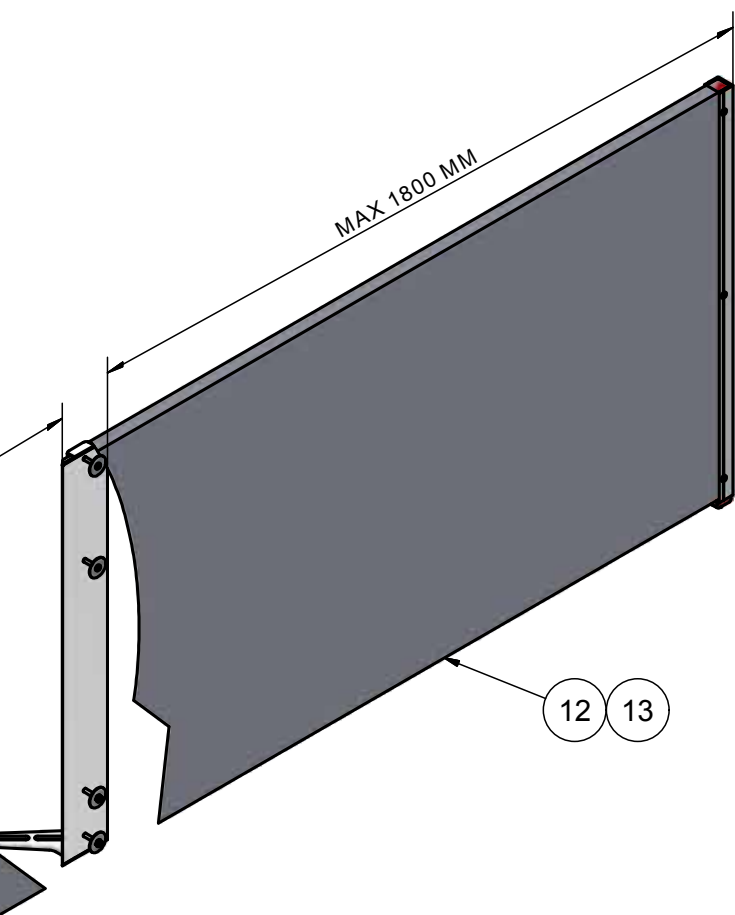
FF 1000_10

D (1:3)



F (1:5)





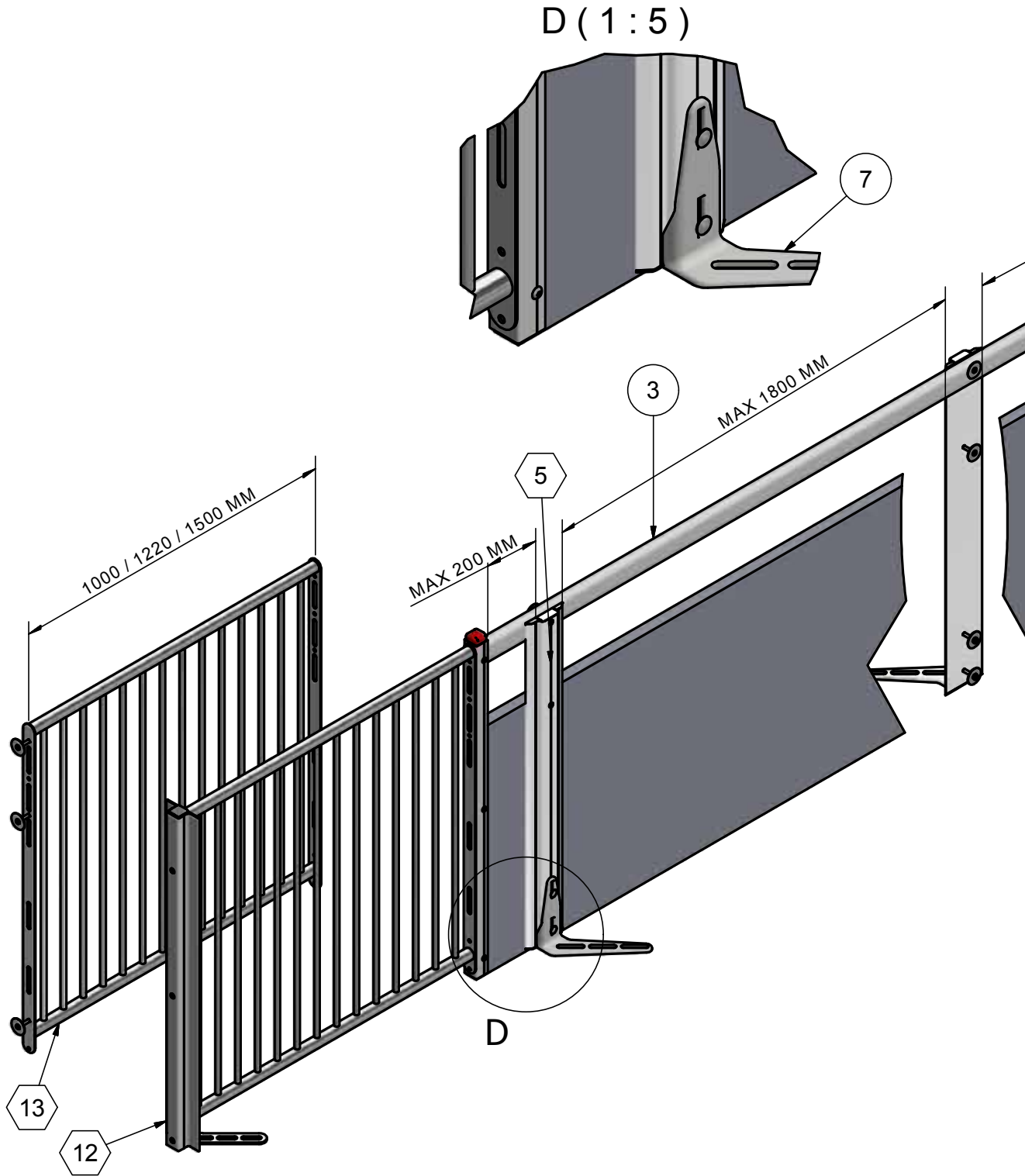
Item	QTY	Part No	Description
④	1	4900700	SUPPORT FOUNDATION PLATE
⑤	2	4100304	POST PROFILE FOR FOUNDATION PLATE
7	(2)	4150612/4150613	FOUNDATION PLATE RIGHT FOR PVC POST STAINLESS STEEL
⑧	1*	4100658	HAT PROFILE 1005 MM
⑨	1+1*	4100657	U-PROFILE 1005 MM INCL. CONNECTING SCREW
12	1	30106	BOARDPROFILE 35X750 MM LENGTH 6 METER
13	1	30100	BOARDPROFILE 35X250 MM LENGTH 6 METER

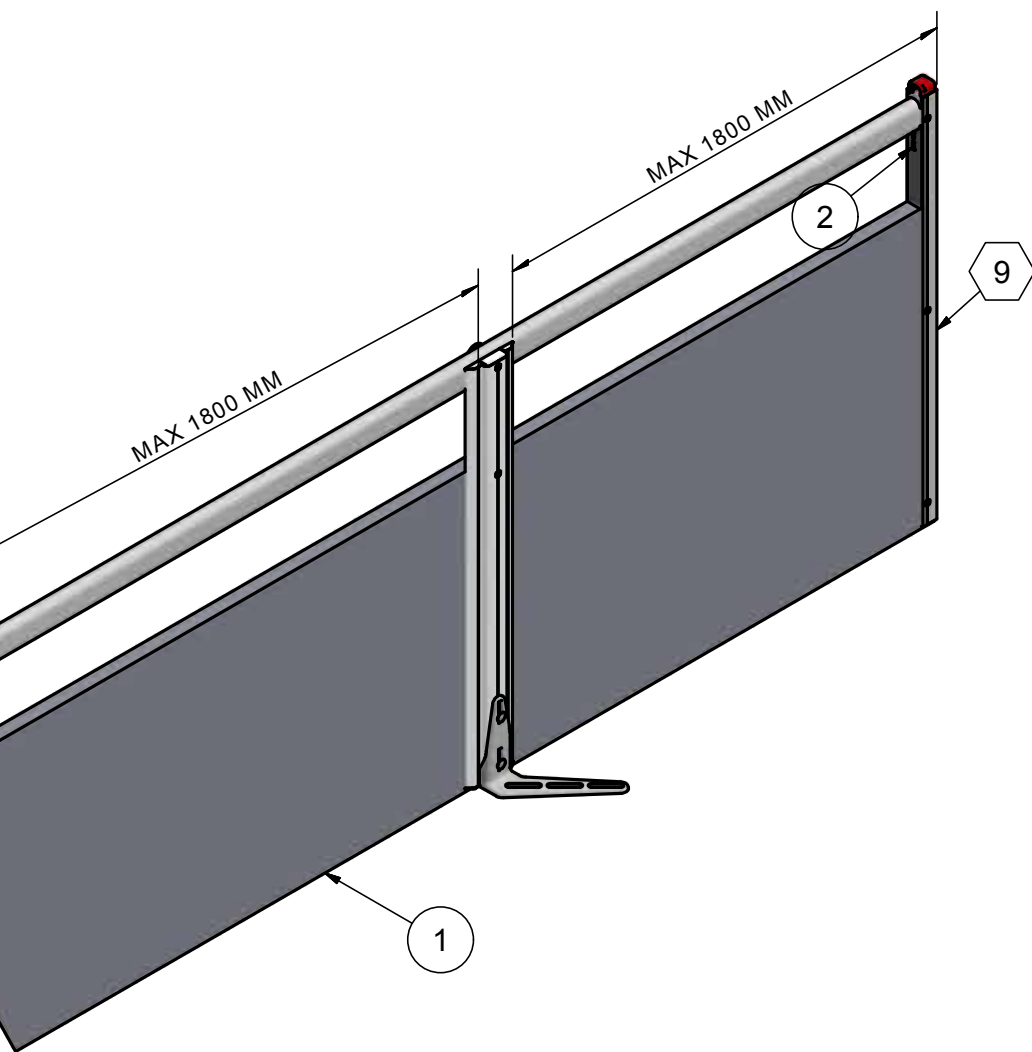
④ Sales Bom See the back of the mounting instruction

() Available in stainless steel, right or left.

* Depending on the front.

FF 1000_11





Item	QTY	Part No	Description
1	1	30106	BOARDPROFILE 35X750 MM LENGTH 6 METER
2	2	8500254	INSERT FOR SINGLE 70X35 MM BOARED
3	1	9340350	BOARD PROFILE 70X35 OVAL SPEC.LENGTH, PRICE PER METER
5	3	4100304	POST PROFILE FOR FOUNDATION PLATE
7	(3)	4150612/4150613	FOUNDATION PLATE RIGHT FOR PVC POST STAINLESS STEEL
9	1	4100657	U-PROFILE 1005 MM INCL. CONNECTING SCREW
12	1*	4110873/874/875	STAINLESS STEEL CONTACTGRILLE H:1010 L:1000 WITH FOUNDATION PLATE
13	1*	4100873/874/875	STAINLESS STEEL CONTACTGRILLEH:1000 L:1000 WITH SCREW

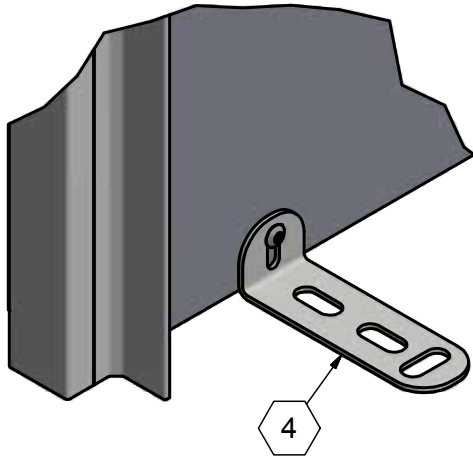
Hexagon symbol Sales Bom See the back of the mounting instruction

() Available in stainless steel, right or left.

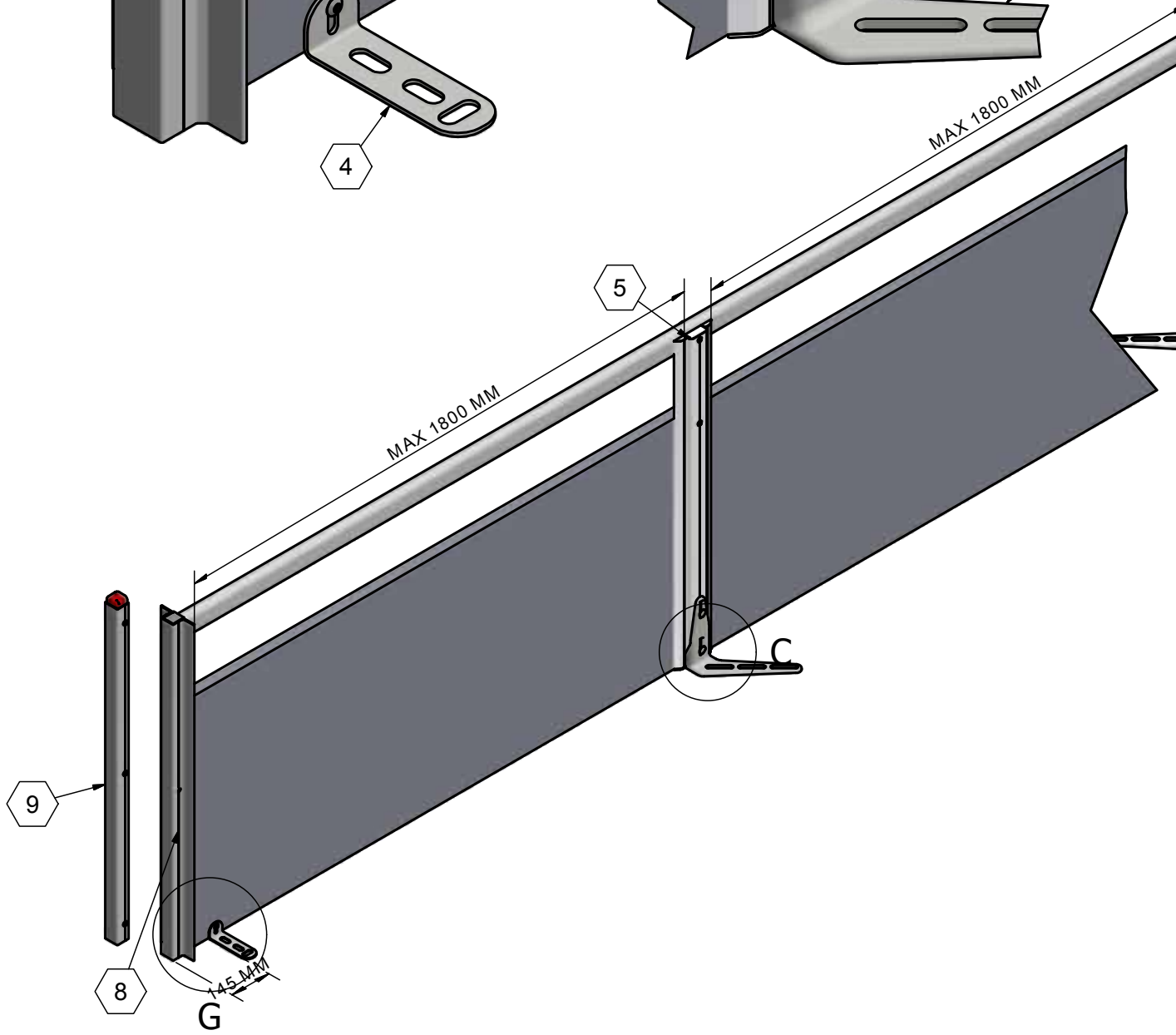
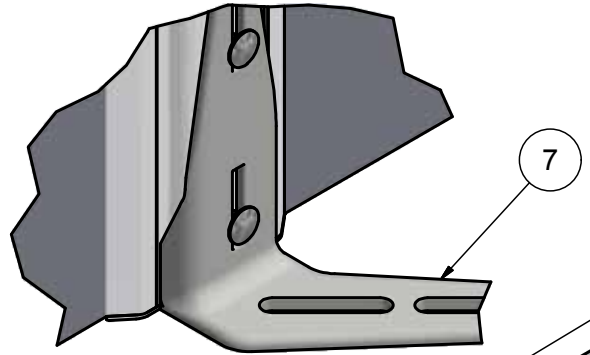
* Depending on the front.

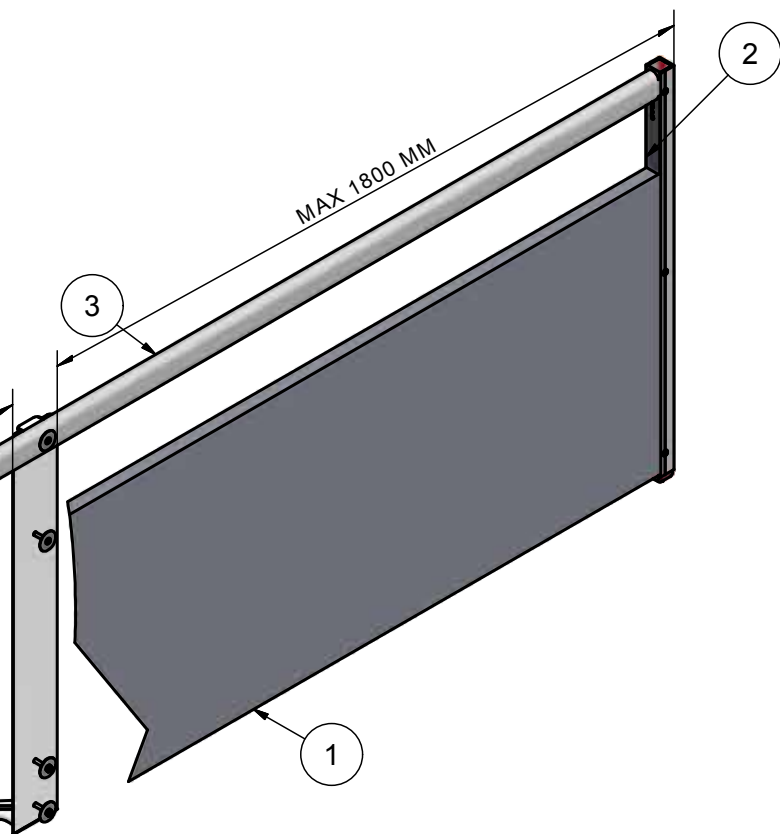
FF 1000_12

G (1:3)



C (1:3)





Item	QTY	Part No	Description
1	1	30106	BOARDPROFILE 35X750 MM LENGTH 6 METER
2	2	8500254	INSERT FOR SINGLE 70X35 MM BOARED
3	1	9340350	BOARD PROFILE 70X35 OVAL SPEC.LENGTH, PRICE PER METER
④	1	4900700	SUPPORT FOUNDATION PLATE
⑤	2	4100304	POST PROFILE FOR FOUNDATION PLATE
7	(2)	4150612/4150613	FOUNDATION PLATE RIGHT FOR PVC POST STAINLESS STEEL
⑧	1*	4100658	HAT PROFILE 1005 MM
⑨	1+1*	4100657	U-PROFILE 1005 MM INCL. CONNECTING SCREW

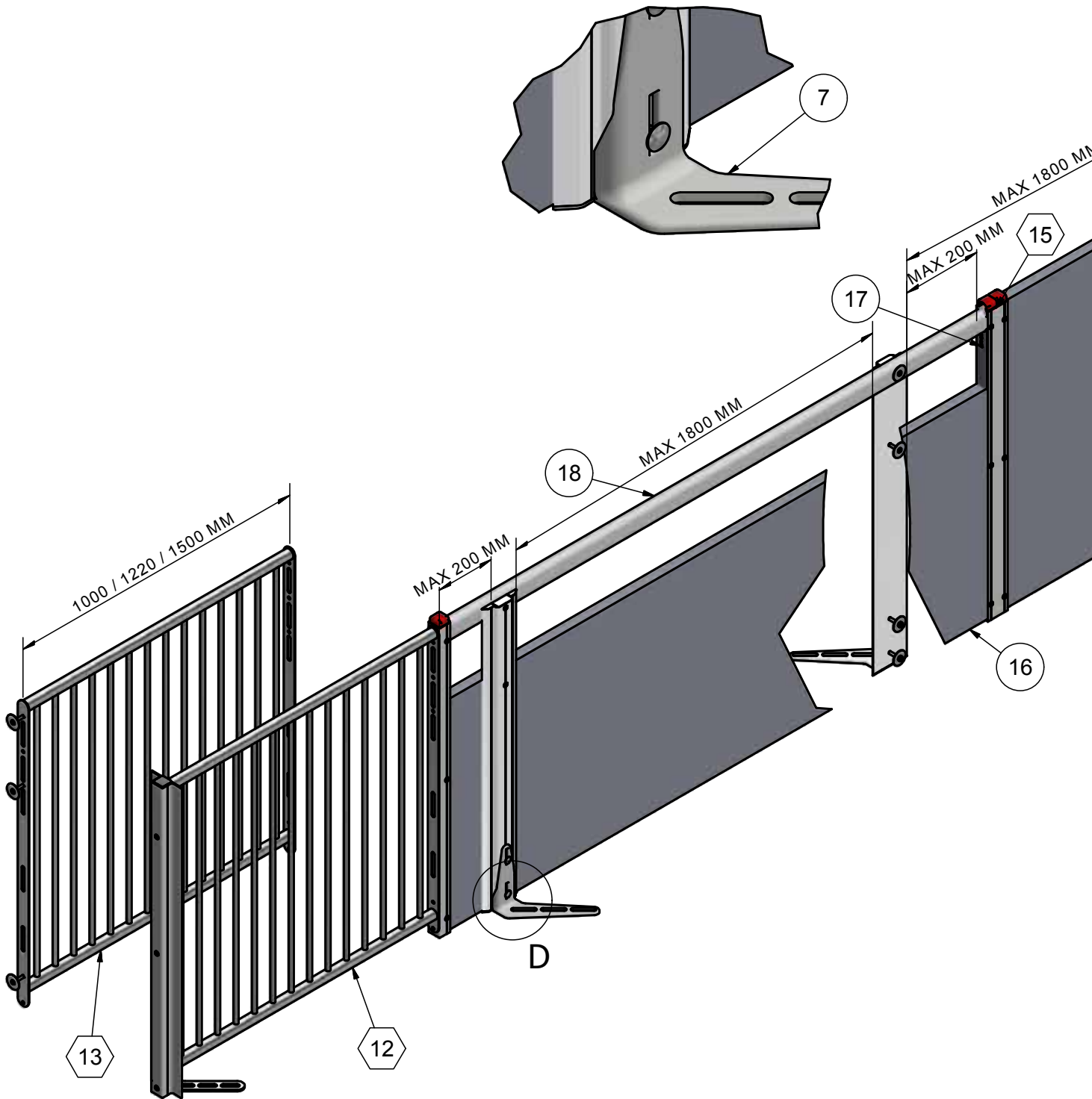
④ Sales Bom See the back of the mounting instruction

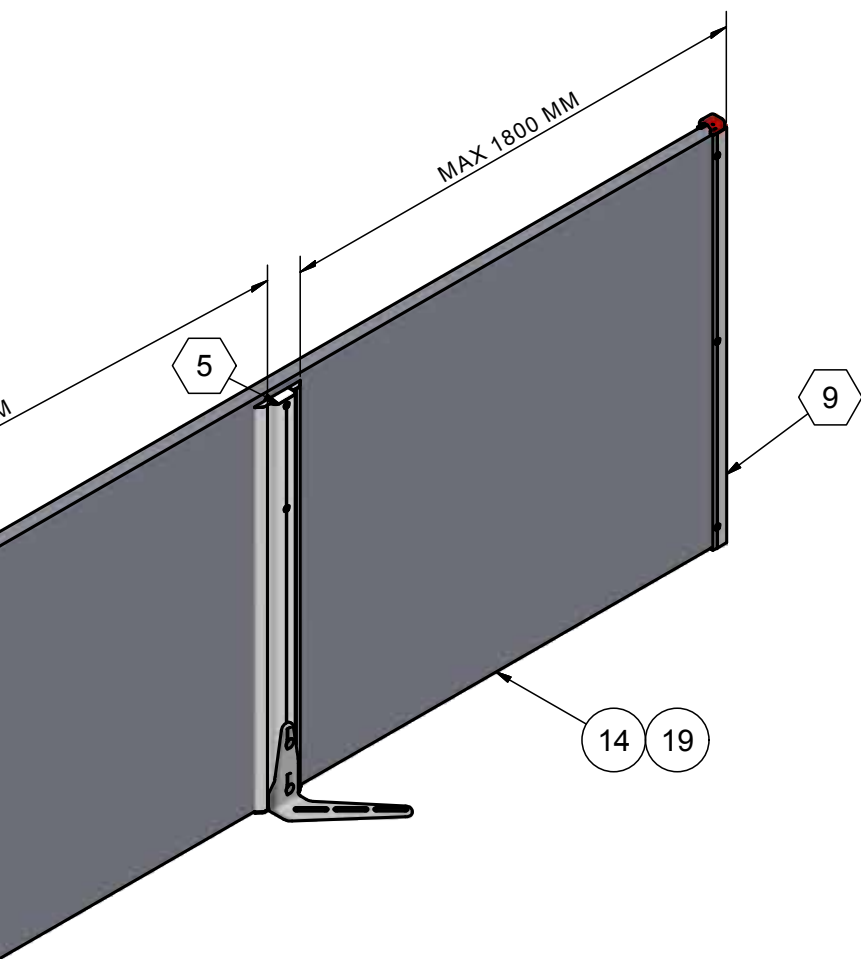
() Available in stainless steel, right or left.

* Depending on the front.

FF 1000_13

D (1 : 3)





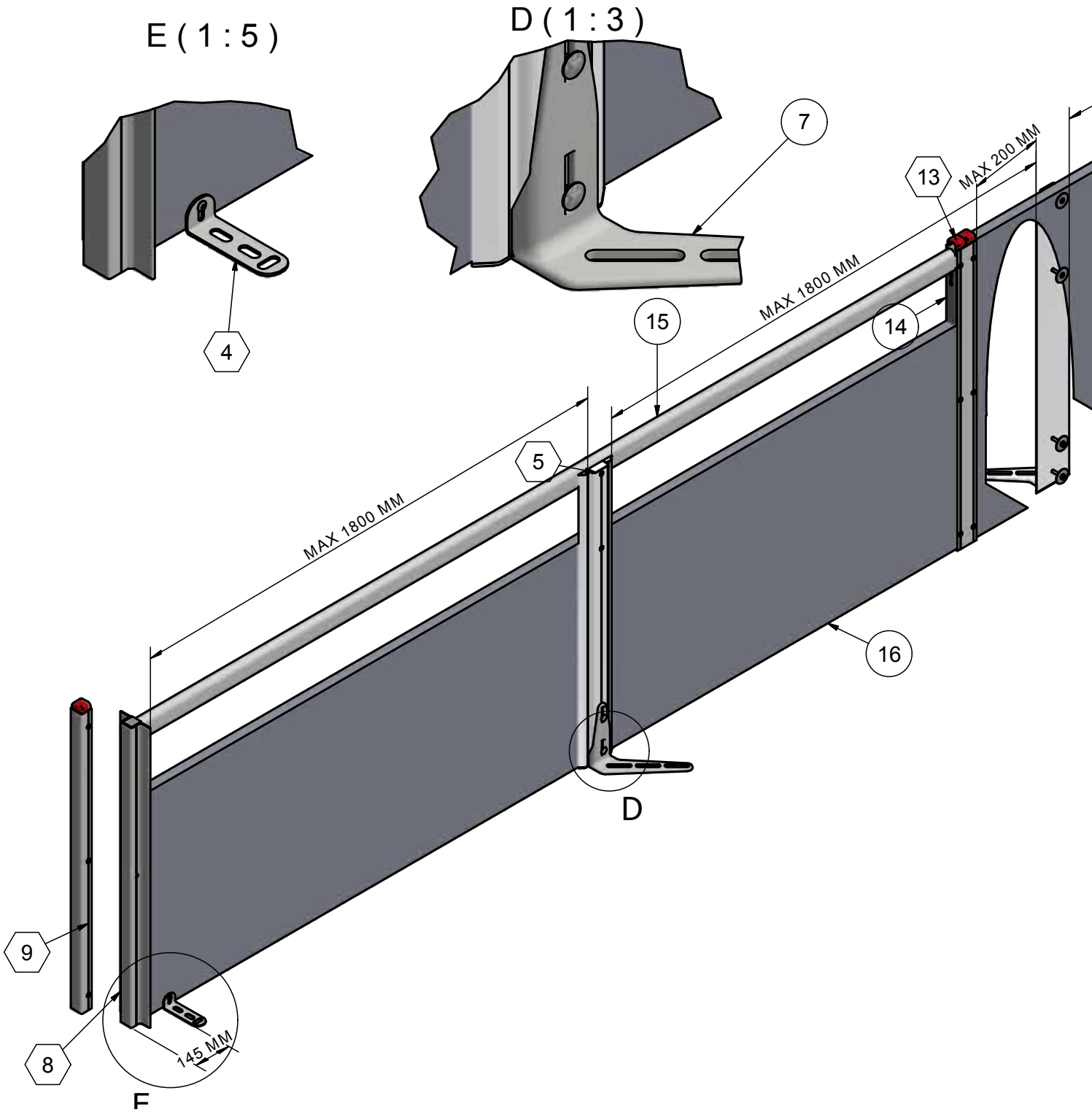
Item	QTY	Part No	Description
5	3	4100304	POST PROFILE FOR FOUNDATION PLATE
7	(3)	4150612/4150613	FOUNDATION PLATE RIGHT FOR PVC POST STAINLESS STEEL
9	1	4100657	U-PROFILE 1005 MM INCL. CONNECTING SCREW
12	1*	4110873/874/875	STAINLESS STEEL CONTACTGRILLE H:1010 L:1000 WITH FOUNDATION PLATE
13	1*	4100873/874/875	STAINLESS STEEL CONTACTGRILLEH:1000 L:1000 WITH SCREW
14	1	30106	BOARDPROFILE 35X750 MM LENGTH 6 METER
15	1	4100500	H-PROFILE 1005 MM INCL. CONNECTING SCREW
16	1	9340381	BOARDPROFILE 35X750 FLAT/FLATSPEC. LENGTH PRICE PER METER
17	2	8500254	INSERT FOR SINGLE 70X35 MM BOARED
18	1	9340350	BOARD PROFILE 70X35 OVAL SPEC.LENGTH, PRICE PER METER
19	1	30100	BOARDPROFILE 35X250 MM LENGTH 6 METER

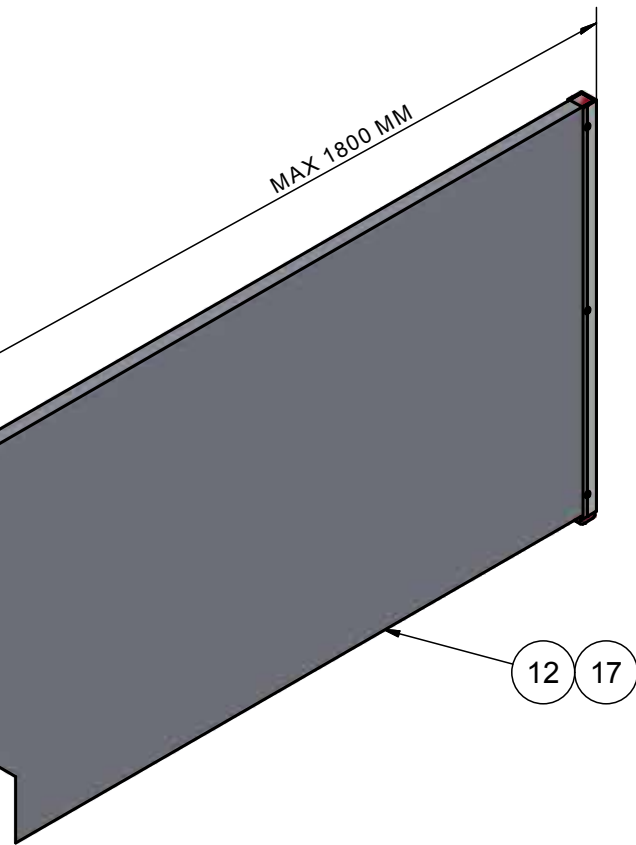
⬡ Sales Bom See the back of the mounting instruction

() Available in stainless steel, right or left.

* Depending on the front.

FF 1000_14





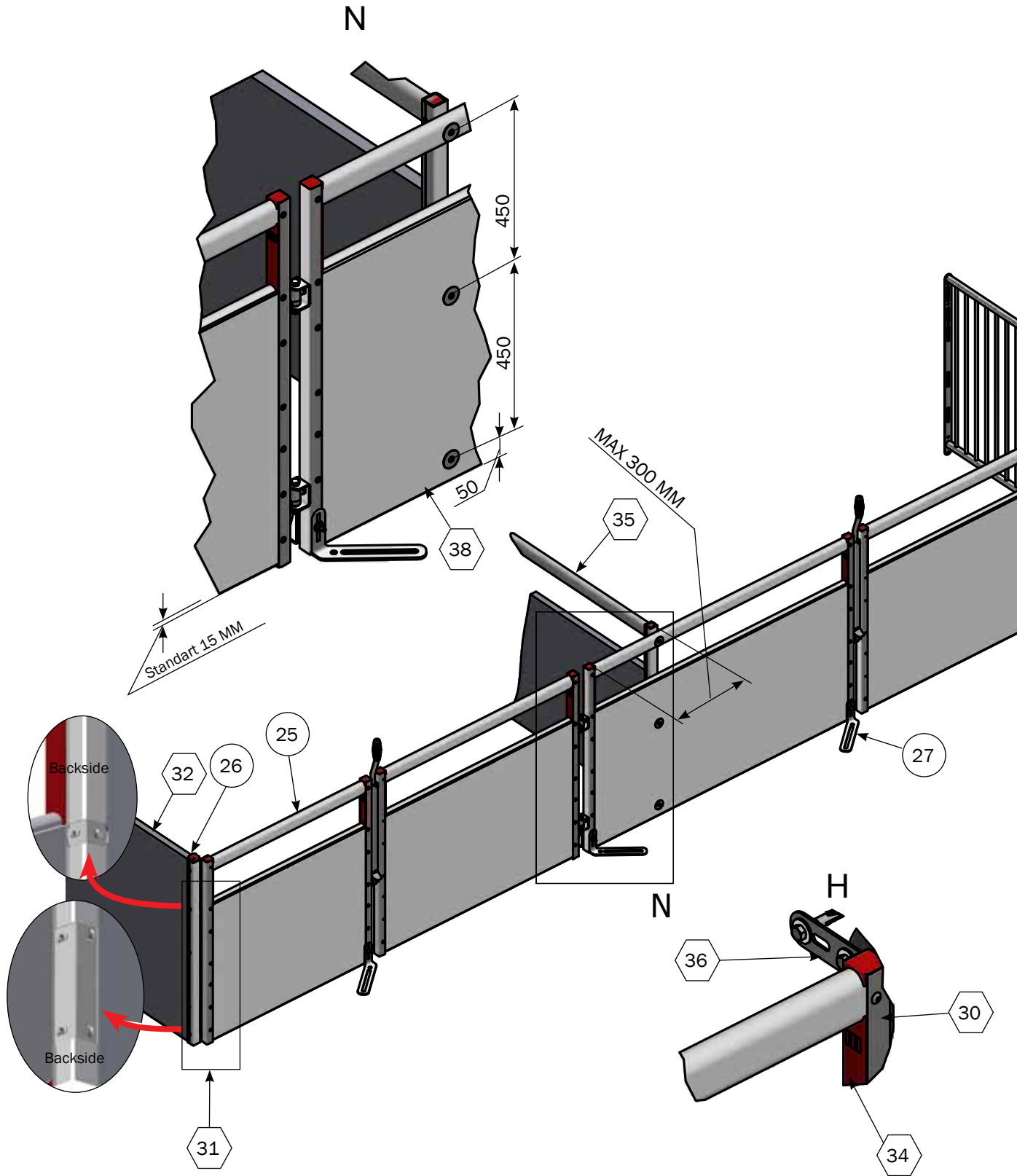
Item	QTY	Part No	Description
④	1	4900700	SUPPORT FOUNDATION PLATE
⑤	2	4100304	POST PROFILE FOR FOUNDATION PLATE
7	(2)	4150612/4150613	FOUNDATION PLATE RIGHT FOR PVC POST STAINLESS STEEL
⑧	1	4100658	HAT PROFILE 1005 MM
⑨	2	4100657	U-PROFILE 1005 MM INCL. CONNECTING SCREW
12	1	30106	BOARDPROFILE 35X750 MM LENGTH 6 METER
⑬	1	4100500	H-PROFILE 1005 MM INCL. CONNECTING SCREW
14	2	8500254	INSERT FOR SINGLE 70X35 MM BOARED
15	1	9340350	BOARD PROFILE 70X35 OVAL SPEC.LENGTH, PRICE PER METER
16	1	30106	BOARDPROFILE 35X750 MM LENGTH 6 METER
17	1	30100	BOARDPROFILE 35X250 MM LENGTH 6 METER

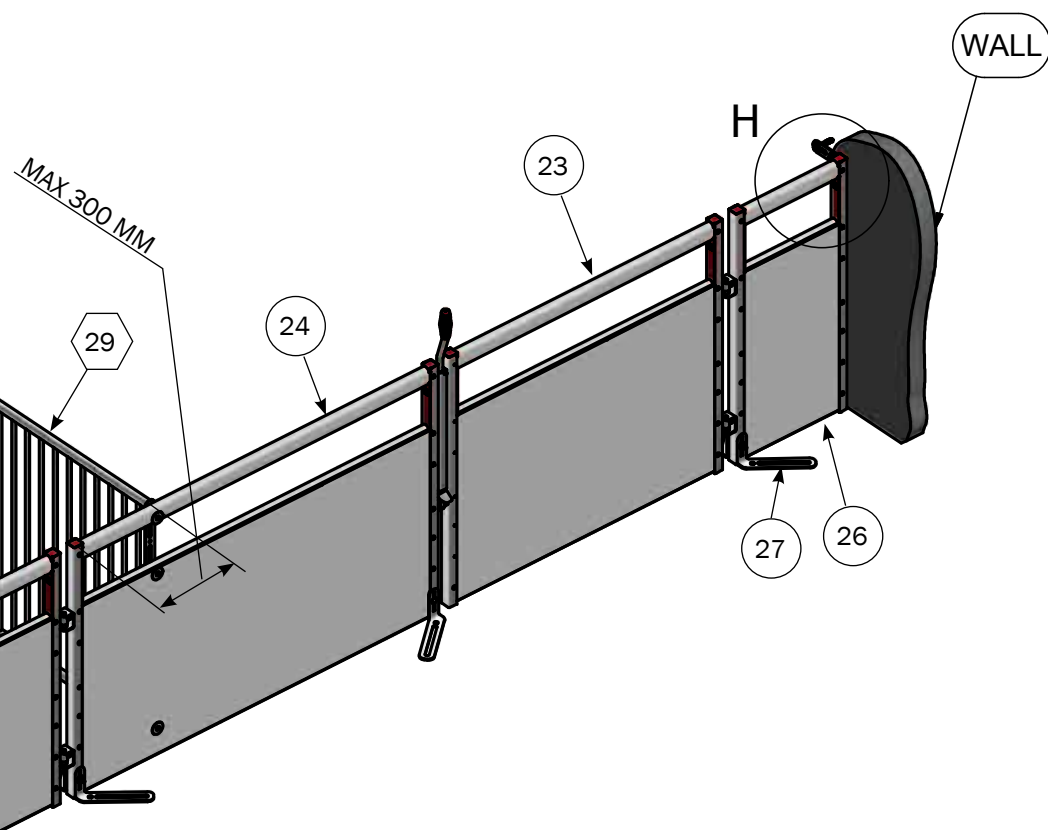
④ Sales Bom See the back of the mounting instruction

() Available in stainless steel, right or left.

* Depending on the front.

FF 1000_20





Item	QTY	Part No	Description
23	3	4210633	GATE H100 BOARDPROFILE/1 OVALBARS WITH PIN LOCK, 1300 MM
24	2	4210621 4210624**	FRONTPART H100 BOARDPROFILE/OVAL BARS HINGER UPROFILE/DROP LATCH UPROFILE FOR PIN LOCK
25	1	4210622 4210625**	FRONTPART H100 BOARDPROFILE/OVAL BARS HINGER UPROFILE/UPROFIL FOR PIN LOCK
26	1	4210623 4210626**	FRONTPART H100 BOARDPROFILE/OVAL BARS UPROFILE/DROP LATCH UPROILE FOR PIN LOCK
27	(3)	4150612/4150613	FOUNDATION PLATE LEFT FOR PVCPOST, STAINLESS STEEL
29	1	FF 1000_01*	GRILLE WITH U-PROFILE CLOSED
30	1	4100657	U-PROFILE 1005 MM INCL. CONNECTING SCREW
31	1	38526	OUNTING KIT F/UPOST AGAINST FRONT PART BOARDPROFILE
32	1	FF 1000_02*	BOARD PROFILE 1000 MM HIGH
34	2	8500254	INSERT FOR SINGLE 70X35 MM BOARED
35	1	FF 1000_06*	BOARD PROFILE 35X750 MM
36	1	4900591	MOUNTING KIT FOR WALL MOUNTING
38	2	4900129	BOLTKIT FOR WASHING WALL AND FRONT PARTITION

⬡ Sales Bom See the back of the mounting instruction

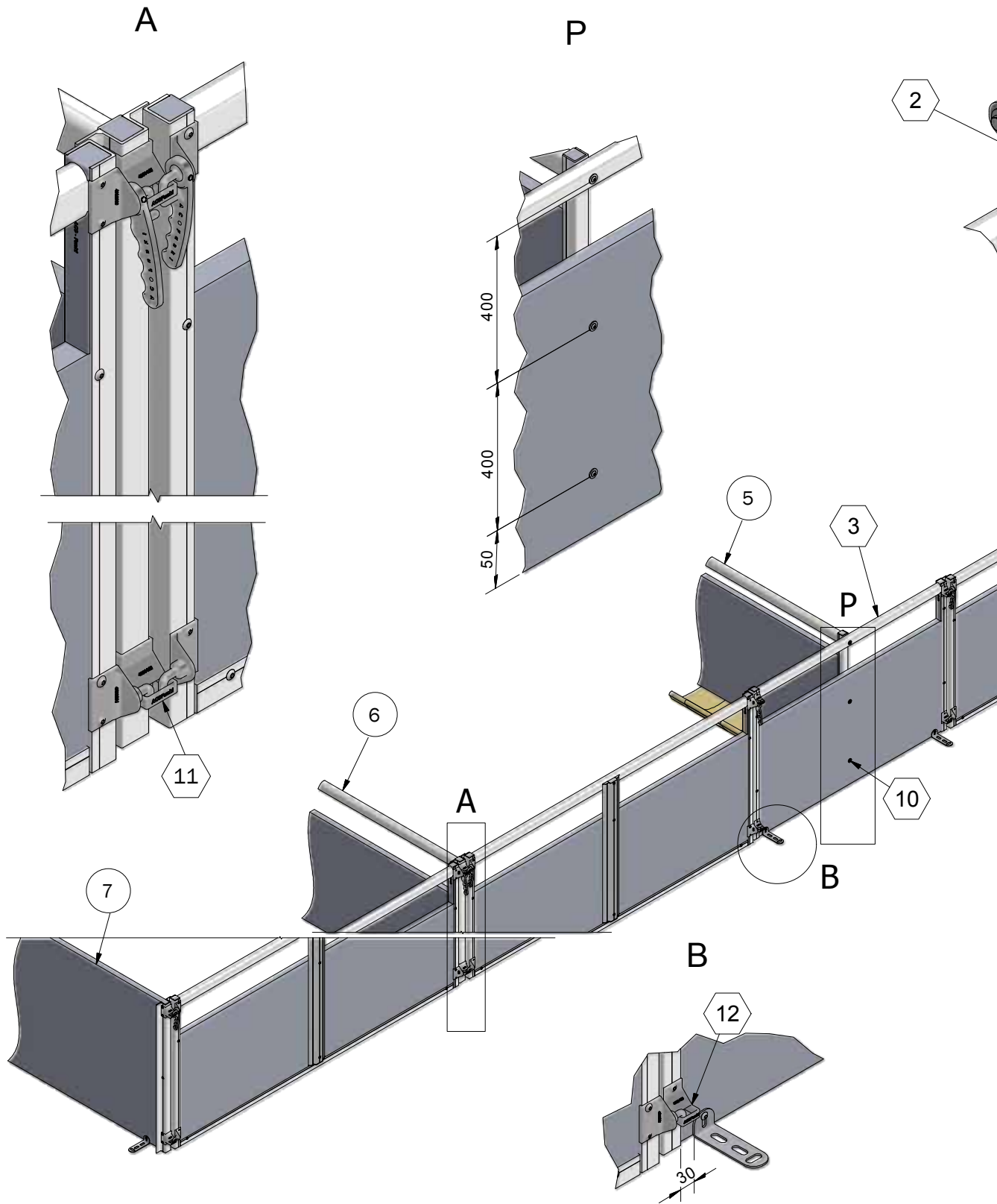
*Ordered separately.

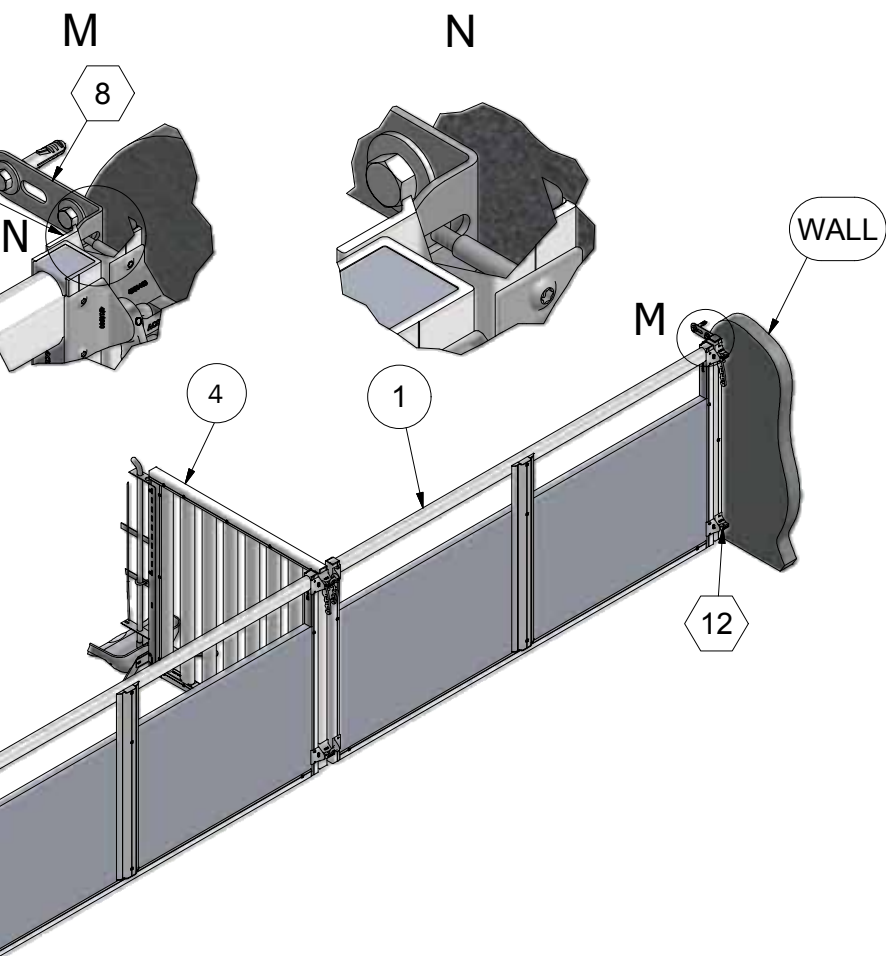
() Available in stainless steel, right or left.

** Also available with post.

M-6174_GB

FF 1000_21



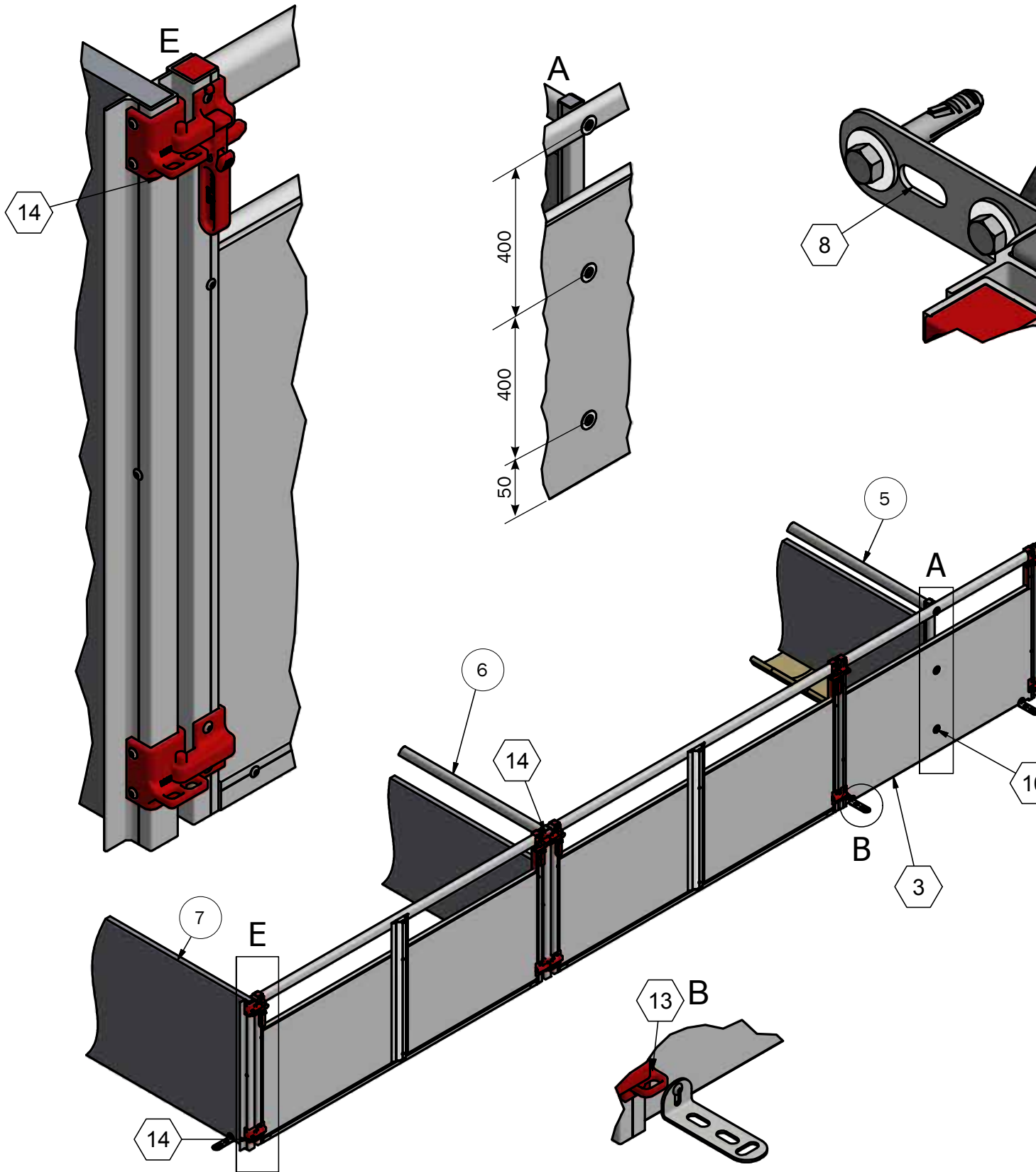


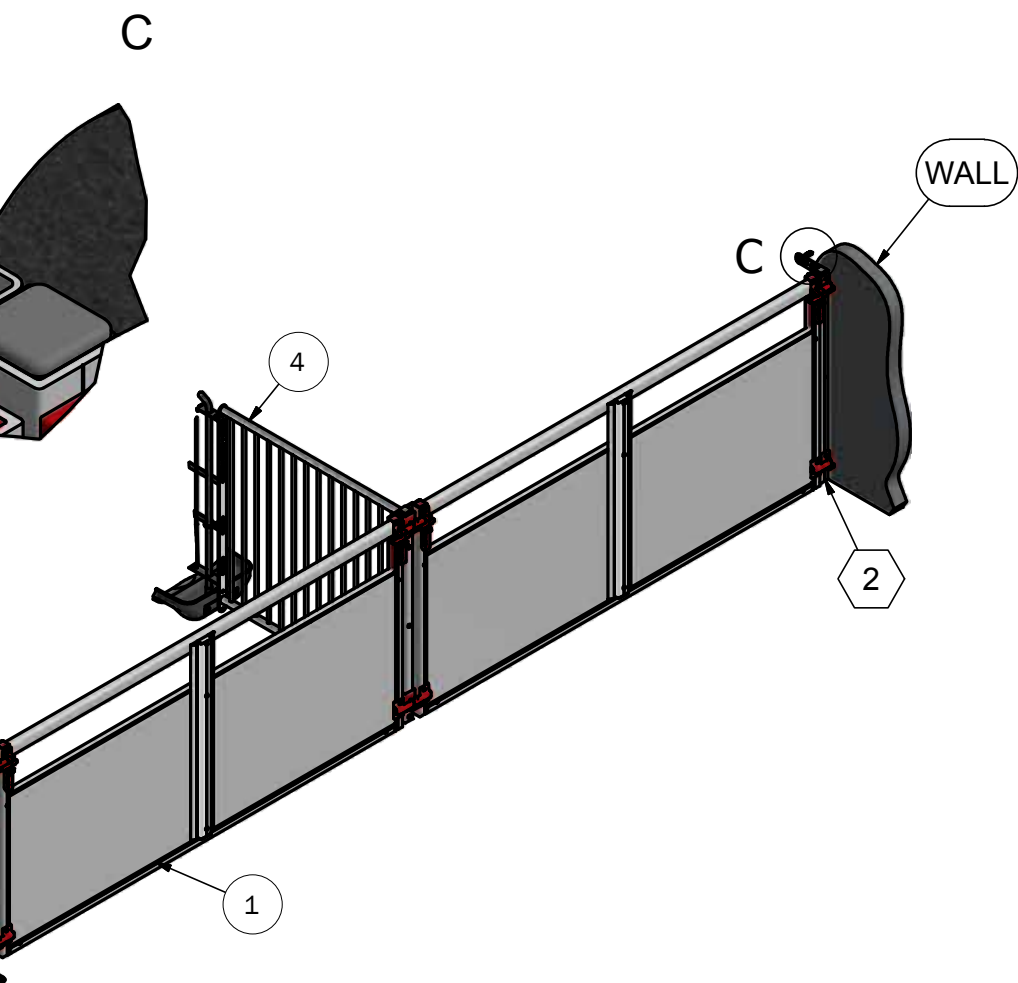
Item	QTY	Part No	Deskription
1	4	4110271/272/273/274	GATE H100 VARIABLE OPENING 2100-2500 MM STAINLESS STEEL HANDEL
②	1	4100659	WALL MOUNTING LEFT AND RIGHT
③	1	4100042/041/043/044	FRONT PART H100 1200-2000 MM
4	1	FF 1000_01*	GRILLE WITH U-PROFILE CLOSED
5	1	FF 1000_07*	PARTITION OVER TROUGH OPEN
6	1	FF 1000_12*	PARTITION WITH HATPROFILE OPEN
7	1	FF 1000_10*	PARTITION WITH HATPROFILE CLOSED
⑧	1	4900591	MOUNTING KIT FOR WALL MOUNTING
⑩	1	4900129	BOLTKIT FOR WASHING WALL AND FRONT PARTITION
⑪	3	4900851	HINGER FOR HAT PROFILE STAINLESS
⑫	2	4900850	HINGER FOR FRONT PART STAINLESS STEEL

⑥ Sales Bom See the back of the mounting instruction

*Ordered separately.

FF 1000_22

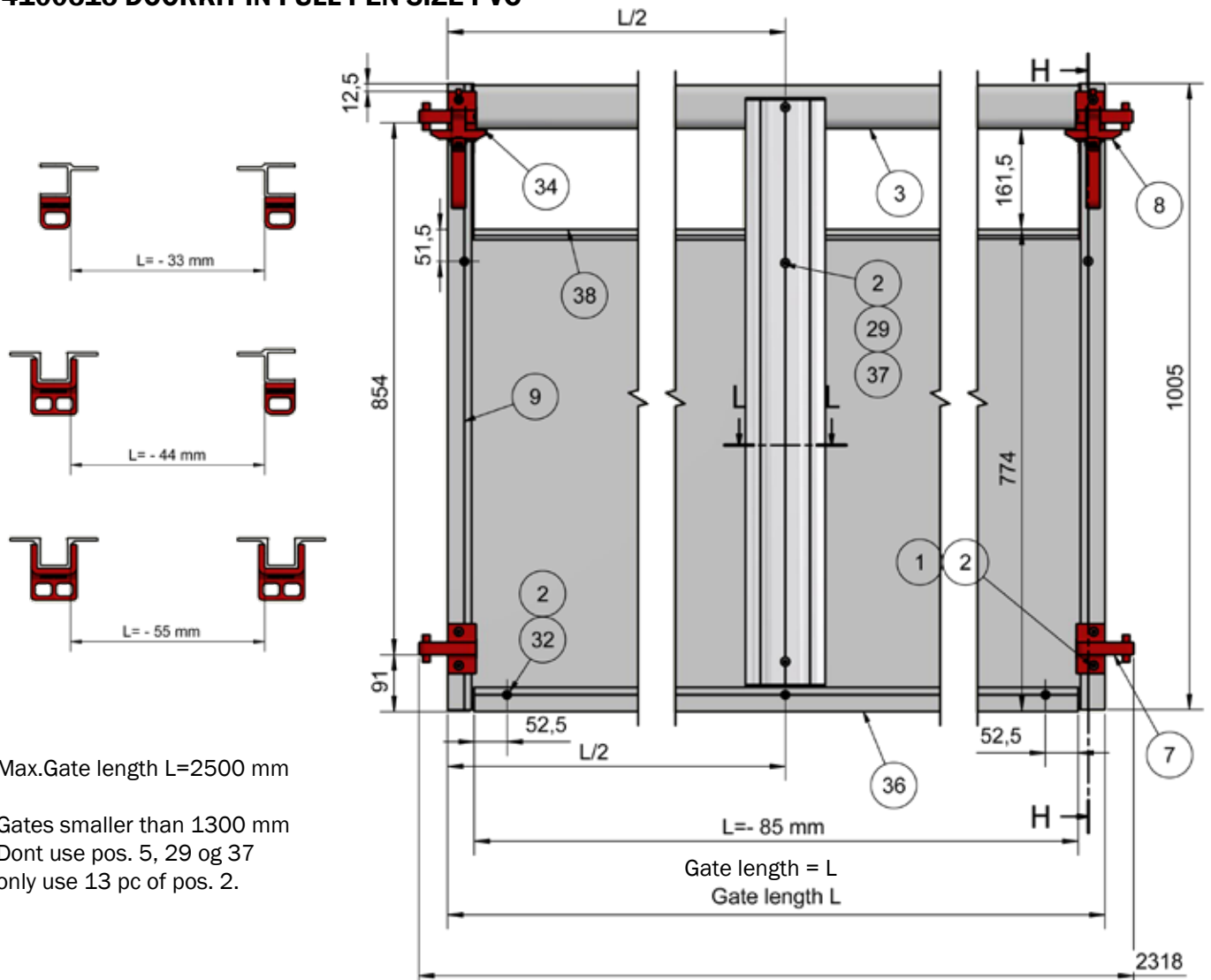




Item	QTY	Part No	Description
1	4	4110171/172/173/174	DOOR, VARABLE 500-2500 MM
②	1	4100659	WALL MOUNTING LEFT AND RIGHT
③	1	4100042/041/043/044	FRONT PARTITION 500-6000 MM
4	1	FF 1000_01*	GRILLE WITH U-PROFILE CLOSED
5	1	FF 1000_07*	PARTITION OVER TROUGH OPEN
6	1	FF 1000_12*	PARTITION WITH HATPROFILE OPEN
7	1	FF 1000_10*	PARTITION WITH HATPROFILE CLOSED
⑧	1	4900591	MOUNTING KIT FOR WALL MOUNTING
⑩	1	4900129	BOLTKIT FOR WASHING WALL AND FRONT PARTITION
⑬	2	4900800	HINGER FOR FRONTPARTITION PVC
⑭	3	4900801	HINGER FOR HATPROFILE

⑥ Sales Bom See the back of the mounting instruction
*Ordered separately.

4110171/4110172/4110173/4110174 DOOR, VARIABLE LENGTH
4100515 DOORKIT IN FULL PEN SIZE PVC

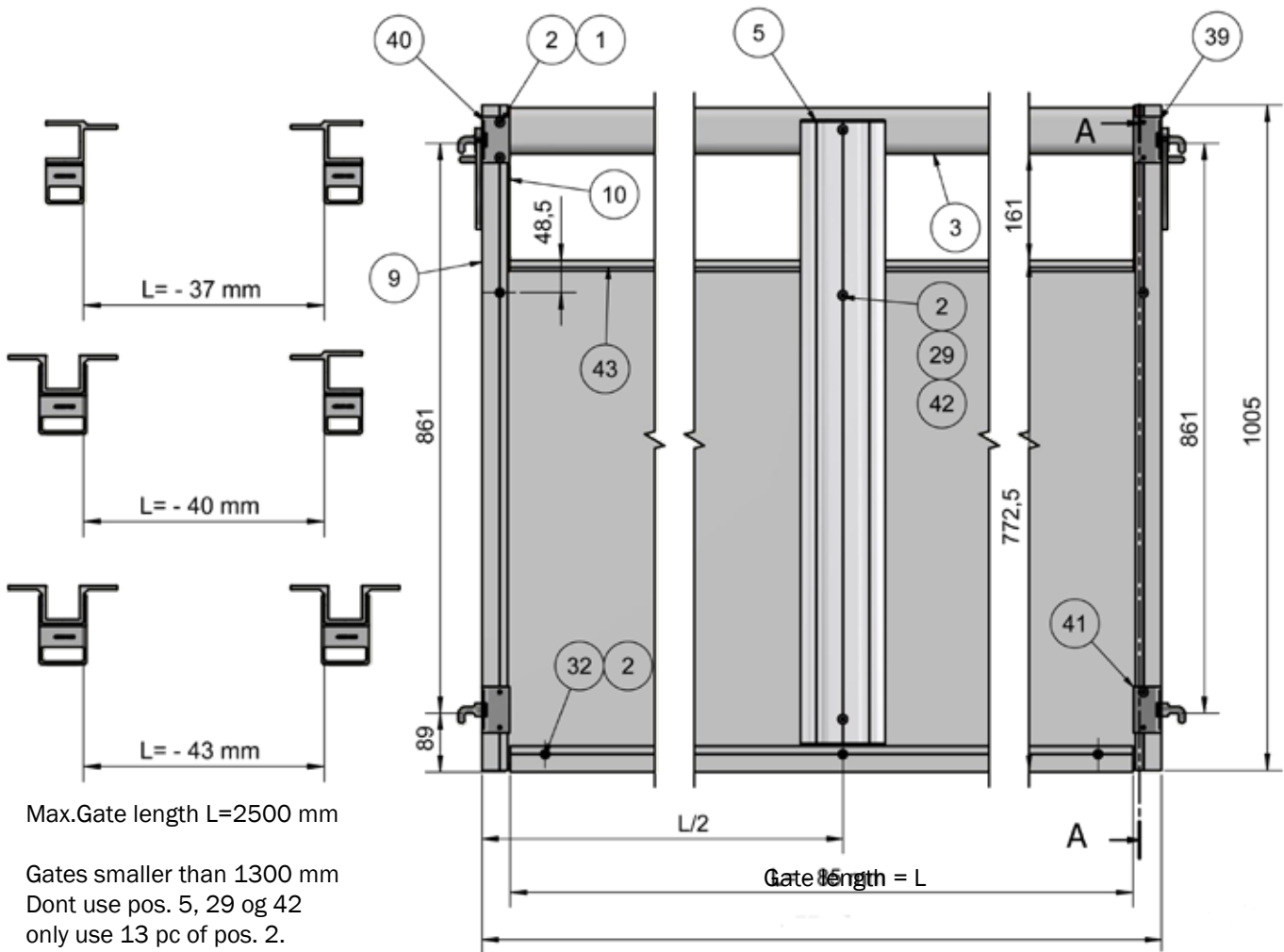


Max. Gate length L=2500 mm

Gates smaller than 1300 mm
 Dont use pos. 5, 29 og 37
 only use 13 pc of pos. 2.

Item	QTY	Part No	Description
1	8	39106030	CONNECTION SCREW M6X30 STAINLESS
2	16	39206037	SPLICING SLEEVE M6X37 STAINLESS
3	1	9340350	BOARD PROFILE 70X35 OVAL SPEC.LENGHT, PRICE PER METER L-18 MM
5	1	4110111	SUPPORTING PROFILE, INCL 2 CAPS
7	2	8500153	LOWER HINGE FOR DOOR, VERSION II
8	1	4110163	HANDLE FOR DOOR VERSION II, RIGHT
9	2	8500113	U-PROFILE PVC 1005 MM
10	2	8500154	INSERT FOR SINGLE 70X35 MM BOARD, STRAIGHT
29	3	35600058	NUT WASHER Ø8X8,4/24/2 A2 DIN9021
32	5	39106020	CONNECTION SCREW M6X20 STAINLESS
34	1	4110164	HANDLE FOR DOOR VERSION II, LEFT
35	1	9340381	BOARDPROFILE 35X750 FLAT/FLAT SPEC. L. PRICE PER METER L-8 MM
36	1	9340358	U-PROFILE PVC 6,5 M, PRICE PR.METER L-85 MM
37	3	39106040	CONNECTION SCREW M6X40 STAINLESS STEEL

**4110271/4110272/4110273/4110274 DOOR, VARIABLE LENGTH STAINLESS STEELHANDEL
4100615 DOORKIT IN FULL PEN SIZE STAINLESS STEEL**

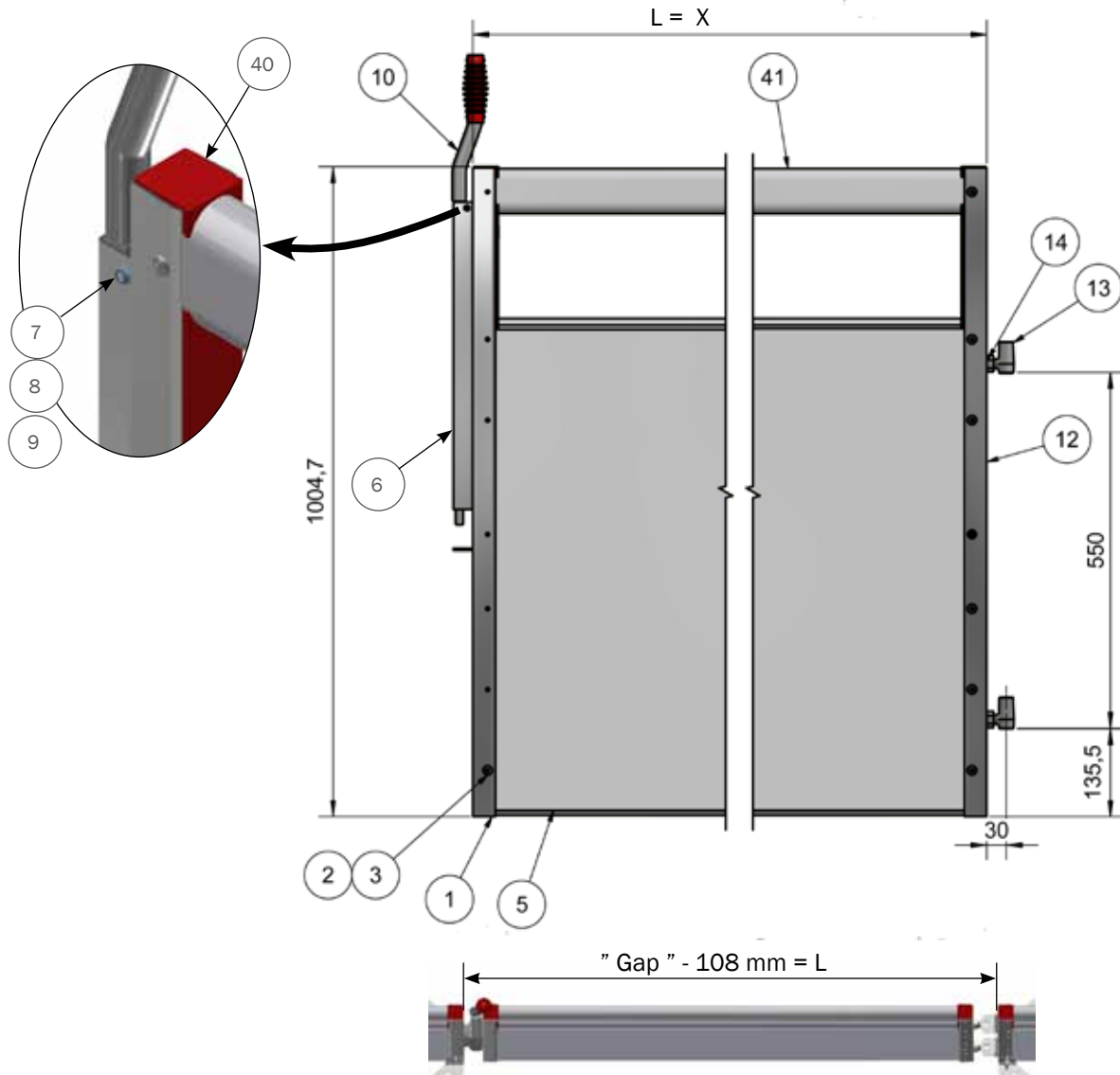


Max. Gate length L=2500 mm

Gates smaller than 1300 mm
Dont use pos. 5, 29 og 42
only use 13 pc of pos. 2.

Item	QTY	Part No	Description
1	8	39106030	CONNECTION SCREW M6X30 STAINLESS
2	16	39206037	SPLICING SLEEVE M6X37 STAINLESS
3	1	9340350	BOARD PROFILE 70X35 OVAL SPEC.LENGHT, PRICE PER METER L-18 MM
5	1	4110111	SUPPORTING PROFILE, INCL 2 CAPS
9	2	8500113	U-PROFILE PVC 1005 MM
10	2	8500154	INSERT FOR SINGLE 70X35 MM BOARD, STRAIGHT
29	3	35600058	NUT WASHER Ø8X8,4/24/2 A2 DIN9021
32	5	39106020	CONNECTION SCREW M6X20 STAINLESS
35	1	9340381	BOARDPROFILE 35X750 FLAT/FLAT SPEC. L. PRICE PER METER L-8 MM
36	1	9340358	U-PROFILE PVC 6,5 M, PRICE PR.METER L-85 MM
37	1	4950887	LOWER HINGER FOR DOOR STAINLESS STEEL LEFT
39	1	4910900	HANDLE STAINLESS STEEL RIGHT
40	1	4910889	HANDLE STAINLESS STEEL LEFT
41	1	4950884	LOWER HINGER FOR DOOR STAINLESS STEEL RIGHT
42	3	39106040	CONNECTION SCREW M6X40 STAINLESS STEEL

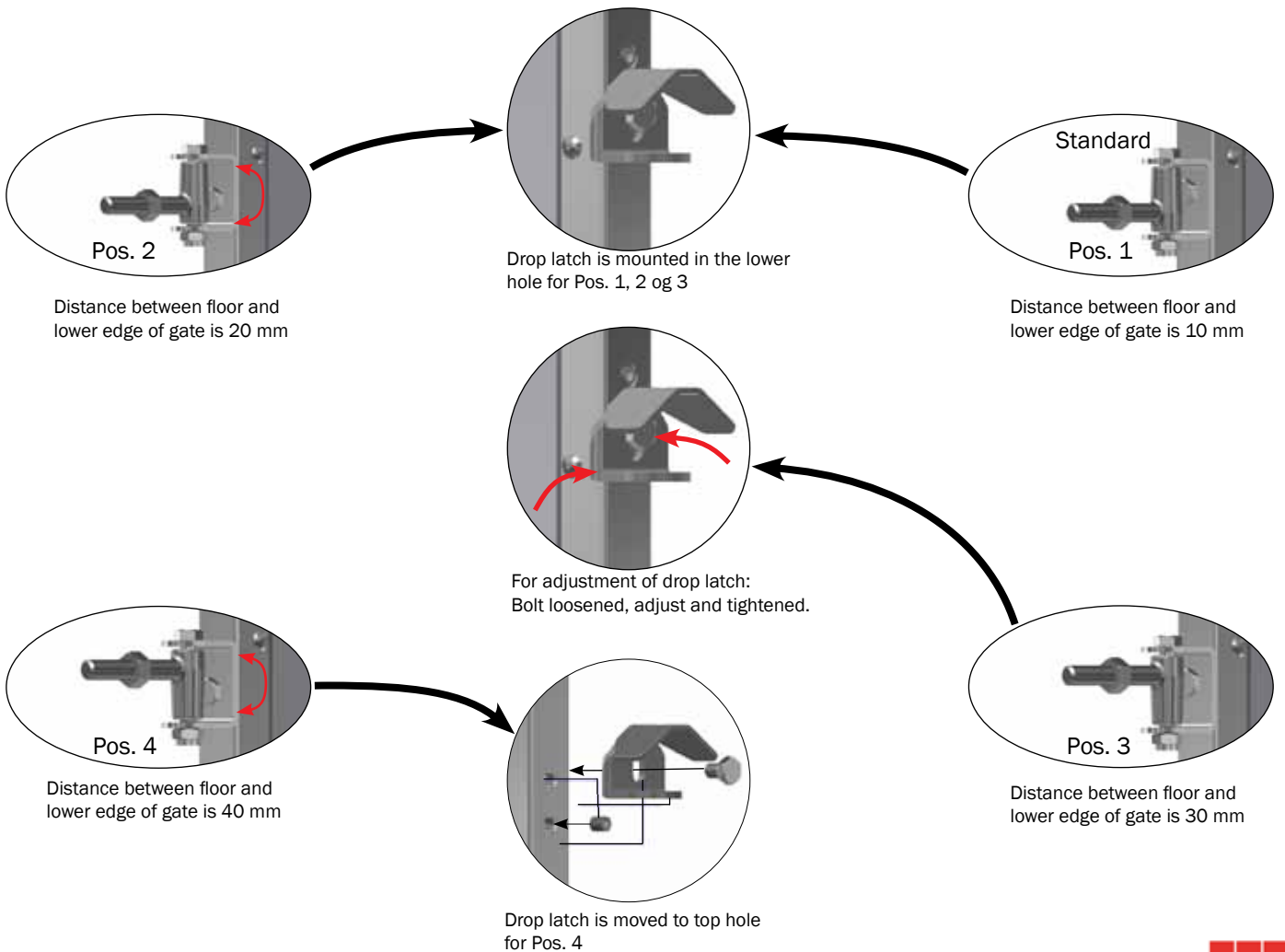
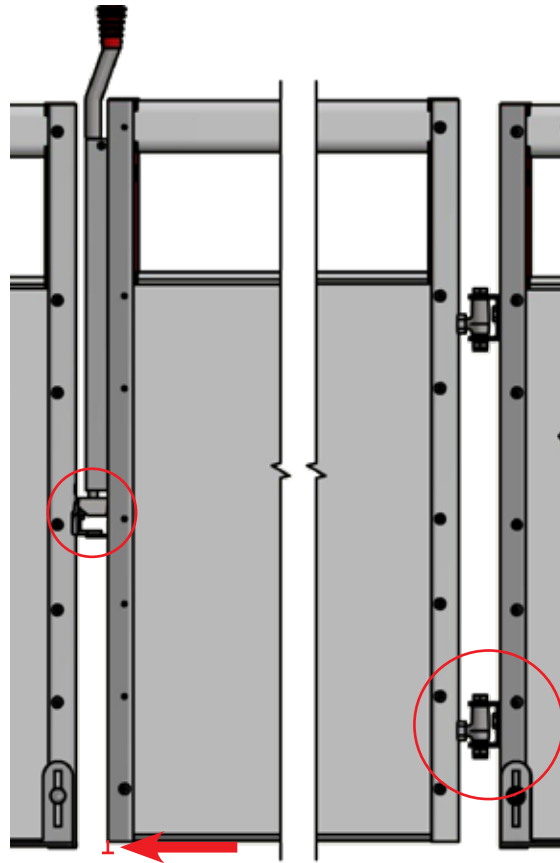
GATE H100 BOARDPROFILE/1 OVALBARS WITH PIN LOCK, 300-1400 MM



4210631/32/33 GATE H100 BOARDPROFILE/1 OVALBARS WITH PIN LOCK, 300-1400 MM

Item	QTY	Part No	Description
1	2	30013	PLUG PANEL BOTTOM 50 CM/75 CM BOARDPROFILE
2	14	39106020	CONNECTION SCREW M6X20 STAINLESS TORX 30
3	14	39206037	SPLICING SLEEVE M6X37 STAINLESS TORX 30
5	1	30105	BOARDPROFILE 35X750 MM SPEC. LENGTH PRICE PER METER L - 9 MM
6	1	4250551	UPOST FOR GATE H100 WITH PIN LOCK
7	1	9929004	COMPRESSION SPRING 1,6X12X115 MM
8	1	33905000	LOCK NUT M5 A2 DIN 985
9	1	30305025	SET SCREW M5X25 A2 DIN 933
10	1	4105183	PIN LOCK FOR GATE INCL. GRIP
12	1	4150552	UPROFILE H100 WITH NUT FOR GATE
13	2	29705HG	INN-O-FLEX STUD BOLT COMPLET
14	2	68598	NUT 14 MM SS
40	2	8500254	INSERT FOR SINGLE 70X35 MM BOARED
41	1	9340350	BOARD PROFILE 70X35 OVAL SPEC.LENGTH, PRICE PER METER L - 9 MM

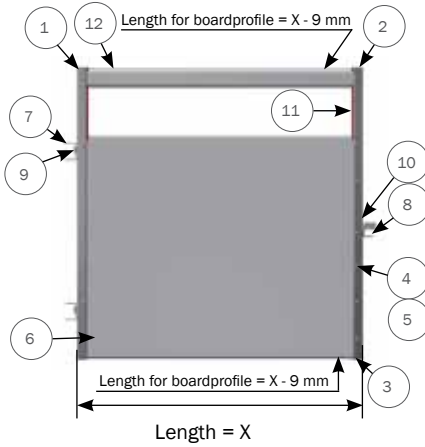
Gate position



Produced

4210621

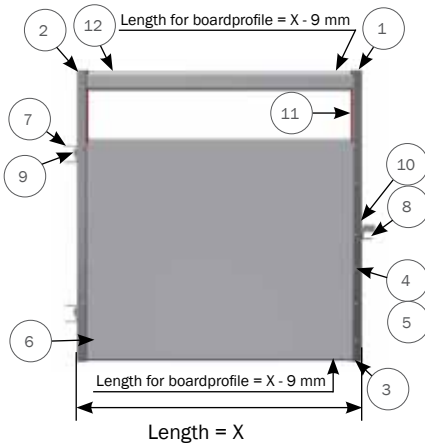
FRONTPART H100 BOARDPROFILE/OVAL BARS HINGER UPROFILE/DROP LATCH UPROFILE FOR PIN LOCK



Item	QTY	Part No	Description
1	1	4250543	UPROFILE H100 WITH NUT FOR HINGER
2	1	4250544	UPROFILE H100 WITH NUTS FOR DROP LATCH
3	2	30013	PLUG PANEL BOTTOM 50 CM/75 CM BOARDPROFILE
4	14	39106020	CONNECTION SCREW M6X20 STAINLESS TORX 30
5	14	39206037	SPLICING SLEEVE M6X37 STAINLESS TORX 30
6	1	30105	BOARDPROFILE 35X750 MM SPEC. LENGTH PRICE PER METER L - 9 MM
7	2	8450598	HINGER BRACKET STAINLESS STEEL
8	1	1915043	DROP LATCH 40 MM FOR POST, GALVANIZED
9	3	30310016	SET SCREW M10X16 A2 DIN 933
10	1	38310016	POINTED SCREW M10X16 W/POINT A2 DIN 914
11	2	8500254	INSERT FOR SINGLE 70X35 MM BOARED
12	1	9340350	BOARD PROFILE 70X35 OVAL SPEC.LENGTH, PRICE PER METER L - 9 MM

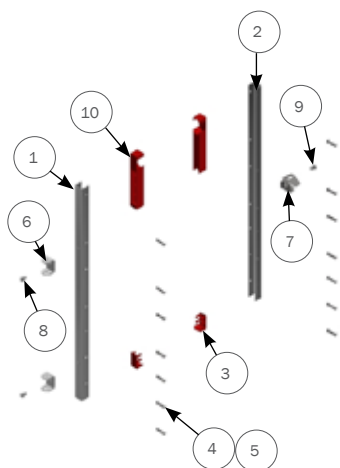
4210625

FRONTPART H100 BOARDPROFILE/OVAL BARS UPROFILE/DROP LATCH UPROILE FOR PIN LOCK



Item	QTY	Part No	Description
1	1	4150553	POST H100 WITH NUTS FOR DROP LATCH
2	1	4150554	POST H100 WITH NUT FOR HINGER
3	2	30013	PLUG PANEL BOTTOM 50 CM/75 CM BOARDPROFILE
4	14	39106020	CONNECTION SCREW M6X20 STAINLESS TORX 30
5	14	39206037	SPLICING SLEEVE M6X37 STAINLESS TORX 30
6	1	30105	BOARDPROFILE 35X750 MM SPEC. LENGTH PRICE PER METER L - 9 MM
7	2	8450598	HINGER BRACKET STAINLESS STEEL
8	1	1915043	DROP LATCH 40 MM FOR POST, GALVANIZED
9	3	30310016	SET SCREW M10X16 A2 DIN 933
10	1	38310016	POINTED SCREW M10X16 W/POINT A2 DIN 914
11	2	8500254	INSERT FOR SINGLE 70X35 MM BOARED
12	1	9340350	BOARD PROFILE 70X35 OVAL SPEC.LENGTH, PRICE PER METER L - 9 MM

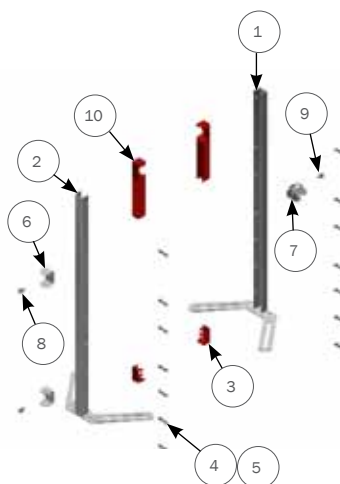
Unassembled



4210621U

KIT FOR FRONTPART H100 BOARDPROFILE/OVAL BARS HINGER UPROFILE/DROP LATCH UPROFILE FOR PIN LOCK

Item	QTY	Part No	Description
1	1	4250543	UPROFILE H100 WITH NUT FOR HINGER
2	1	4250544	UPROFILE H100 WITH NUTS FOR DROP LATCH
3	2	30013	PLUG PANEL BOTTOM 50 CM/75 CM BOARDPROFILE
4	14	39106020	CONNECTION SCREW M6X20 STAINLESS TORX 30
5	14	39206037	SPLICING SLEEVE M6X37 STAINLESS TORX 30
6	2	8450598	HINGER BRACKET STAINLESS STEEL
7	1	1915043	DROP LATCH 40 MM FOR POST, GALVANIZED
8	3	30310016	SET SCREW M10X16 A2 DIN 933
9	1	38310016	POINTED SCREW M10X16 W/POINT A2 DIN 914
10	2	8500254	INSERT FOR SINGLE 70X35 MM BOARED

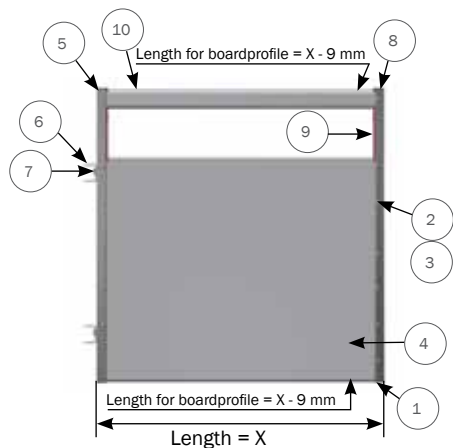


4210623U

KIT FOR FRONTPART H100 BOARDPROFILE/OVAL BARS UPROFILE/DROP LATCH UPROILE FOR PIN LOCK

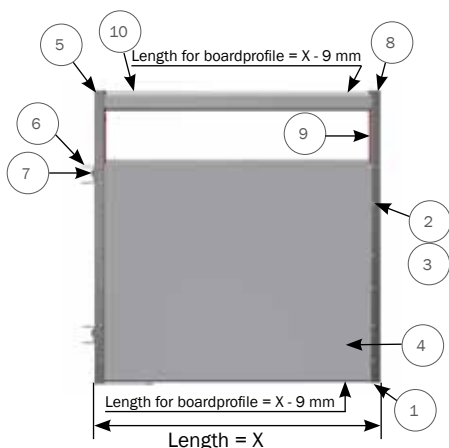
Item	QTY	Part No	Description
1	1	4150553	POST H100 WITH NUTS FOR DROP LATCH
2	1	4150554	POST H100 WITH NUT FOR HINGER
3	2	30013	PLUG PANEL BOTTOM 50 CM/75 CM BOARDPROFILE
4	14	39106020	CONNECTION SCREW M6X20 STAINLESS TORX 30
5	14	39206037	SPLICING SLEEVE M6X37 STAINLESS TORX 30
6	2	8450598	HINGER BRACKET STAINLESS STEEL
7	1	1915043	DROP LATCH 40 MM FOR POST, GALVANIZED
8	3	30310016	SET SCREW M10X16 A2 DIN 933
9	1	38310016	POINTED SCREW M10X16 W/POINT A2 DIN 914
10	2	8500254	INSERT FOR SINGLE 70X35 MM BOARED

Produced/ Unassembled



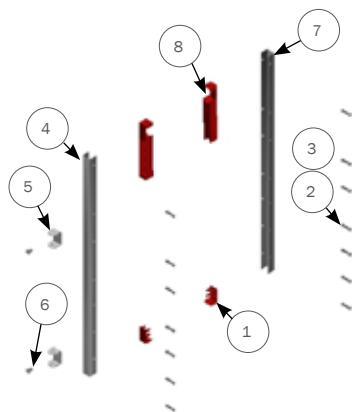
4210622 FRONTPART H100 BOARDPROFILE/OVAL BARS UPROFILE/DROP LATCH UPROILE FOR PIN LOCK

Item	QTY	Part No	Description
1	2	30013	PLUG PANEL BOTTOM 50 CM/75 CM BOARDPROFILE
2	14	39106020	CONNECTION SCREW M6X20 STAINLESS TORX 30
3	14	39206037	SPLICING SLEEVE M6X37 STAINLESS TORX 30
4	1	30105	BOARDPROFILE 35X750 MM SPEC. LENGTH PRICE PER METER L - 9 MM
5	1	4250543	UPROFILE H100 WITH NUT FOR HINGER
6	2	8450598	HINGER BRACKET STAINLESS STEEL
7	2	30310016	SET SCREW M10X16 A2 DIN 933
8	1	8450632	U-PROFILE H100 FOR OVAL BARS
9	2	8500254	INSERT FOR SINGLE 70X35 MM BOARDED
10	1	9340350	BOARD PROFILE 70X35 OVAL SPEC.LENGTH, PRICE PER METER L - 9 MM



4210624 FRONTPART H100 BOARDPROFILE/OVAL BARS HINGER POST/UPROFILE FOR PIN LOCK

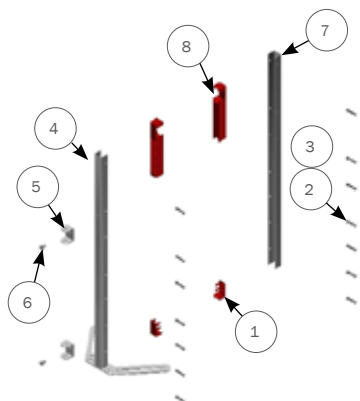
Item	QTY	Part No	Description
1	2	30013	PLUG PANEL BOTTOM 50 CM/75 CM BOARDPROFILE
2	14	39106020	CONNECTION SCREW M6X20 STAINLESS TORX 30
3	14	39206037	SPLICING SLEEVE M6X37 STAINLESS TORX 30
4	1	30105	BOARDPROFILE 35X750 MM SPEC. LENGTH PRICE PER METER L - 9 MM
5	1	4150554	POST H100 WITH NUT FOR HINGER
6	2	8450598	HINGER BRACKET STAINLESS STEEL
7	2	30310016	SET SCREW M10X16 A2 DIN 933
8	1	8450632	U-PROFILE H100 FOR OVAL BARS
9	2	8500254	INSERT FOR SINGLE 70X35 MM BOARDED
10	1	9340350	BOARD PROFILE 70X35 OVAL SPEC.LENGTH, PRICE PER METER L - 9 MM



4210622U

KIT FOR FRONTPART H100 BOARDPROFILE/OVAL BARS UPROFILE/DROP LATCH UPROILE FOR PIN LOCK

Item	QTY	Part No	Description
1	2	30013	PLUG PANEL BOTTOM 50 CM/75 CM BOARDPROFILE
2	14	39106020	CONNECTION SCREW M6X20 STAINLESS TORX 30
3	14	39206037	SPLICING SLEEVE M6X37 STAINLESS TORX 30
4	1	4250543	UPROFILE H100 WITH NUT FOR HINGER
5	2	8450598	HINGER BRACKET STAINLESS STEEL
6	2	30310016	SET SCREW M10X16 A2 DIN 933
7	1	8450632	U-PROFILE H100 FOR OVAL BARS
8	2	8500254	INSERT FOR SINGLE 70X35 MM BOARDED

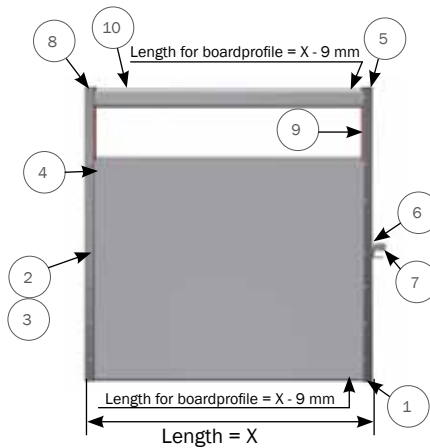


4210624U

KIT FOR FRONTPART H100 BOARDPROFILE/OVAL BARS HINGER POST/UPROFILE FOR PIN LOCK

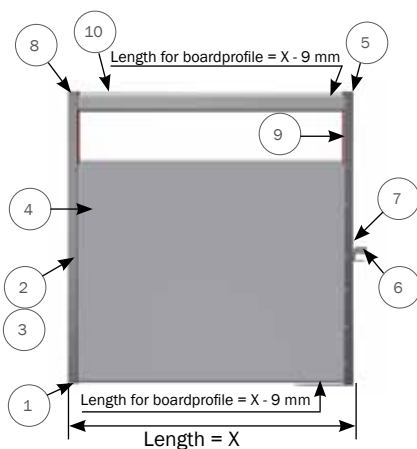
Item	QTY	Part No	Description
1	2	30013	PLUG PANEL BOTTOM 50 CM/75 CM BOARDPROFILE
2	14	39106020	CONNECTION SCREW M6X20 STAINLESS TORX 30
3	14	39206037	SPLICING SLEEVE M6X37 STAINLESS TORX 30
4	1	4150554	POST H100 WITH NUT FOR HINGER
5	2	8450598	HINGER BRACKET STAINLESS STEEL
6	2	30310016	SET SCREW M10X16 A2 DIN 933
7	1	8450632	U-PROFILE H100 FOR OVAL BARS
8	2	8500254	INSERT FOR SINGLE 70X35 MM BOARDED

Produced / Unassembled



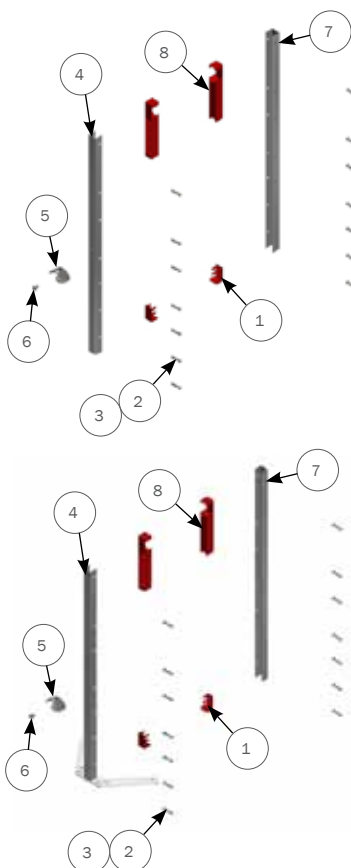
4210623 FRONTPART H100 BOARDPROFILE/OVAL BARS HINGER POST/UPROFILE FOR PIN LOCK

Item	QTY	Part No	Description
1	2	30013	PLUG PANEL BOTTOM 50 CM/75 CM BOARDPROFILE
2	14	39106020	CONNECTION SCREW M6X20 STAINLESS TORX 30
3	14	39206037	SPLICING SLEEVE M6X37 STAINLESS TORX 30
4	1	30105	BOARDPROFILE 35X750 MM SPEC. LENGTH PRICE PER METER L - 9 MM
5	1	4250544	UPROFILE H100 WITH NUTS FOR DROP LATCH
6	2	1915043	DROP LATCH 40 MM FOR POST, GALVANIZED
7	2	30310016	SET SCREW M10X16 A2 DIN 933
8	1	8450632	U-PROFILE H100 FOR OVAL BARS
9	2	8500254	INSERT FOR SINGLE 70X35 MM BOARDED
10	1	9340350	BOARD PROFILE 70X35 OVAL SPEC.LENGTH, PRICE PER METER L - 9 MM



4210626 FRONTPART H100 BOARDPROFILE/OVAL BARS UPROFILE/DROP LATCH POST FOR PIN LOCK

Item	QTY	Part No	Description
1	2	30013	PLUG PANEL BOTTOM 50 CM/75 CM BOARDPROFILE
2	14	39106020	CONNECTION SCREW M6X20 STAINLESS TORX 30
3	14	39206037	SPLICING SLEEVE M6X37 STAINLESS TORX 30
4	1	30105	BOARDPROFILE 35X750 MM SPEC. LENGTH PRICE PER METER L - 9 MM
5	1	4150553	POST H100 WITH NUTS FOR DROP LATCH
6	2	1915043	DROP LATCH 40 MM FOR POST, GALVANIZED
7	2	30310016	SET SCREW M10X16 A2 DIN 933
8	1	8450632	U-PROFILE H100 FOR OVAL BARS
9	2	8500254	INSERT FOR SINGLE 70X35 MM BOARDED
10	1	9340350	BOARD PROFILE 70X35 OVAL SPEC.LENGTH, PRICE PER METER L - 9 MM



4210623U

KIT FOR FRONTPART H100 BOARDPROFILE/OVAL BARS HINGER POST/UPROFILE FOR PIN LOCK

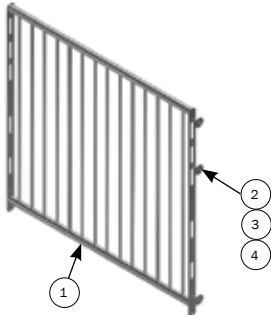
Item	QTY	Part No	Description
1	2	30013	PLUG PANEL BOTTOM 50 CM/75 CM BOARDPROFILE
2	14	39106020	CONNECTION SCREW M6X20 STAINLESS TORX 30
3	14	39206037	SPLICING SLEEVE M6X37 STAINLESS TORX 30
4	1	4250544	UPROFILE H100 WITH NUTS FOR DROP LATCH
5	2	1915043	DROP LATCH 40 MM FOR POST, GALVANIZED
6	2	30310016	SET SCREW M10X16 A2 DIN 933
7	1	8450632	U-PROFILE H100 FOR OVAL BARS
8	2	8500254	INSERT FOR SINGLE 70X35 MM BOARDED

4210626U

KIT FOR FRONTPART H100 BOARDPROFILE/OVAL BARS UPROFILE/DROP LATCH POST FOR PIN LOCK

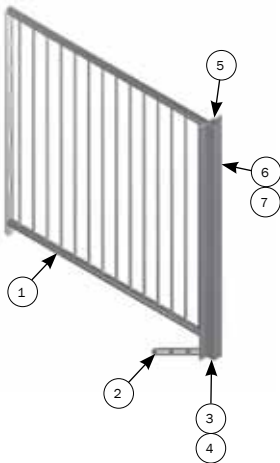
Item	QTY	Part No	Description
1	2	30013	PLUG PANEL BOTTOM 50 CM/75 CM BOARDPROFILE
2	14	39106020	CONNECTION SCREW M6X20 STAINLESS TORX 30
3	14	39206037	SPLICING SLEEVE M6X37 STAINLESS TORX 30
4	1	4150553	POST H100 WITH NUTS FOR DROP LATCH
5	2	1915043	DROP LATCH 40 MM FOR POST, GALVANIZED
6	2	30310016	SET SCREW M10X16 A2 DIN 933
7	1	8450632	U-PROFILE H100 FOR OVAL BARS
8	2	8500254	INSERT FOR SINGLE 70X35 MM BOARDED

Sales Bom



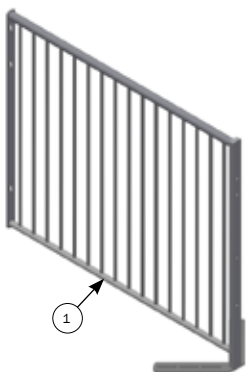
4100873/874/875 STAINLESS STEEL CONTACTGRILLEH:1000 L:1000 WITH SCREW

Item	QTY	Part No	Description
1	1	4150873	STAINLESS STEEL CONTACTGRILLE H:1000 L:1000
		4150874	STAINLESS STEEL CONTACTGRILLE H:1000 L:1220
		4150875	STAINLESS STEEL CONTACTGRILLE H:1000 L:1500
2	3	39106020	CONNECTION SCREW M6X20 STAINLESS TORX 30
3	3	39206037	SPLICING SLEEVE M6X37 STAINLESS TORX 30
4	3	20037	MASTER CLAMP WASHER Ø10,5/45 1,5 A2



4110873/874/875 STAINLESS STEEL CONTACTGRILLE H:1010 L:1000 WITH FOUNDATION PLATE

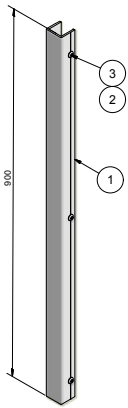
Item	QTY	Part No	Description
1	1	4150873	STAINLESS STEEL CONTACTGRILLE H:1000 L:1000
		4150874	STAINLESS STEEL CONTACTGRILLE H:1000 L:1220
		4150875	STAINLESS STEEL CONTACTGRILLE H:1000 L:1500
2	1	4950533	FOUNDATION FOR STAINLESS STEEL GRILLE
3	1	8500514	35 X 35 PROFILE 945 MM
4	1	8500058	HATPROFILE 1005 MM
5	1	9960009	CAP 35 X 35 X 2
6	3	39106020	CONNECTION SCREW M6X20 STAINLESS TORX 30
7	3	39206037	SPLICING SLEEVE M6X37 STAINLESS TORX 30



4020536/4020539 GRILLE OVER SLATTS, L=1150 MM, GALVANIZED

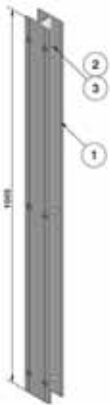
Item	QTY	Part No	Description
1	1	4020536	GRILLE OVER SLATTS, L=1150 MM, GALVANIZED
		4020539	GRILLE OVER SLATTS, L= 950 MM, GALVANIZED

Sales Bom



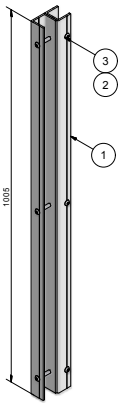
4100656 UPROFILE 900 MM INCL. CONNECTING SCREW

Item	QTY	Part No	Description
1	1	8500142	U-PROFILE PVC 900 MM
2	3	39106020	CONNECTION SCREW M6X20 STAINLESS
3	3	39206037	SPLICING SLEEVE M6X37 STAINLESS



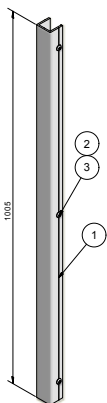
4100500 H-PROFILE 1005 MM INCL. CONNECTING SCREW

Item	QTY	Part No	Description
1	1	8500059	H-PROFILE 1005 MM
2	6	39106020	CONNECTION SCREW M6X20 STAINLESS
3	6	39206037	SPLICING SLEEVE M6X37 STAINLESS



4100489 DOUBLE UPROFIL ANGEL 1005 MM INCL. CONNECTING SCREWS

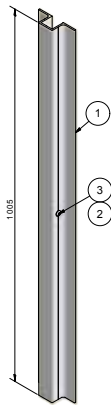
Item	QTY	Part No	Description
1	1	4110489	DOUBLE UPROFIL ANGEL 1005MM
2	6	39106020	CONNECTION SCREW M6X20 STAINLESS
3	6	39206037	SPLICING SLEEVE M6X37 STAINLESS



4100657 U-PROFILE 1005 MM INCL. CONNECTING SCREW

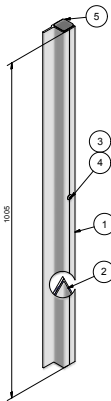
Item	QTY	Part No	Description
1	1	8500113	U-PROFILE PVC 1005 MM
2	3	39106020	CONNECTION SCREW M6X20 STAINLESS
3	3	39206037	SPLICING SLEEVE M6X37 STAINLESS

Sales Bom



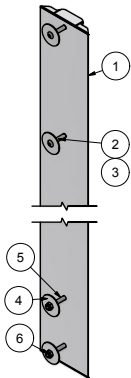
4100658 HAT PROFILE 1005 MM

Item	QTY	Part No	Description
1	1	8500142	HATPROFILE 1005 MM
2	3	39106020	CONNECTION SCREW M6X20 STAINLESS
3	3	39206037	SPLICING SLEEVE M6X37 STAINLESS



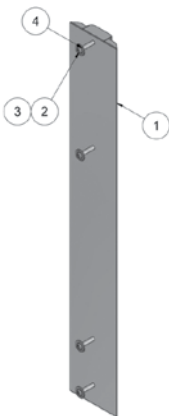
4100659 WALL MOUNTING LEFT AND RIGHT

Item	QTY	Part No	Description
1	1	8500057	Y-PROFILE 1005 MM
2	1	8500091	PROFILE 35X35 1005 MM
3	1	39106020	CONNECTION SCREW M6X20 STAINLESS
4	1	39206037	SPLICING SLEEVE M6X37 STAINLESS
5	2	9960009	CAP 35 X 35 X 2



4100304 POST PROFILE FOR FOUNDATION PLATE

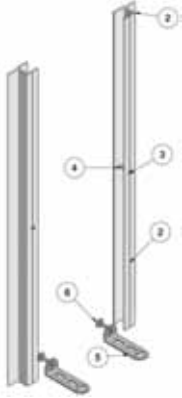
Item	QTY	Part No	Description
1	1	4110304	POST PROFILE 981 MM INCL. CAPS
2	2	39206037	SPLICING SLEEVE M6X37 STAINLESS
3	2	39106040	CONNECTION SCREW M6X40 STAINLESS STEEL
4	4	35600058	NUT WASHER Ø8X8,4/24/2 A2 DIN9021
5	2	36308080	MUSHROOMHEADED BOLT M8X80 A2 DIN 603
6	2	33908001	LOCK NUT M8 A2 DIN 985



4100496 POST PROFILE FOR STABILIZER

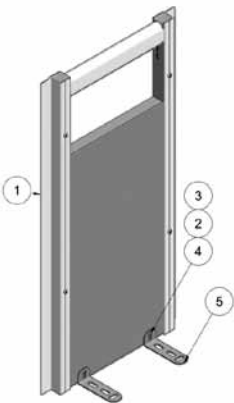
Item	QTY	Part No	Description
1	1	4110304	POST PROFILE 981 MM INCL. CAPS
2	4	39206037	SPLICING SLEEVE M6X37 STAINLESS
3	4	39106040	CONNECTION SCREW M6X40 STAINLESS STEEL
4	4	20037	MASTER CLAMP WASHER Ø10,5/45 1,5 A2

Sales Bom



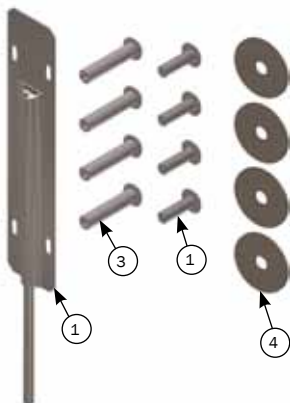
4100040 FRONT PARTITION KIT

Item	QTY	Part No	Description
2	2	8500057	Y-PROFILE 1005 MM
3	4	39106020	CONNECTION SCREW M6X20 STAINLESS
4	4	39206037	SPLICING SLEEVE M6X37 STAINLESS
5	2	4950955	FLOOR ANGLE 133X44X39 MM A2
6	2	35600058	NUT WASHER Ø8X8,4/24/2 A2 DIN9021



4100041/042/043/044 FRONT PARTITION

Item	QTY	Part No	Description
1	1	4110041	FRONT PARTITION 500-1200 MM
		4110042	FRONT PARTITION 1200-2000 MM
		4110043	FRONT PARTITION 2000-3000 MM
		4110044	FRONT PARTITION 3000-6000 MM
2	2	35600058	NUT WASHER Ø8X8,4/24/2 A2 DIN9021
3	2	39106020	CONNECTION SCREW M6X20 STAINLESS
4	2	39206037	SPLICING SLEEVE M6X37 STAINLESS
5	2	4950955	FLOOR ANGLE 133X44X39 MM A2



36254 STAINLESS STEEL DORN FOR LIQUID WALL MOUNTING KIT

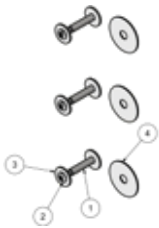
Item	QTY	Part No	Description
1	1	36279	STAINLESS STEEL DORN FOR LIQUID WALL
2	4	39106020	CONNECTION SCREW M6X20 STAINLESS TORX 30
3	4	39206037	SPLICING SLEEVE M6X37 STAINLESS TORX 30
4	4	20037	MASTER CLAMP WASHER Ø10,5/45 1,5 A2

Sales Bom



4900128 BOLTKIT FOR MOUNTING WALL

Item	QTY	Part No	Description
1	3	34908061	COUCH SCREW M8X60 A2 DIN 571
2	3	35600058	NUT WASHER Ø8X8,4/24/2 A2 DIN9021
3	3	39900120	WALL PLUG 10X50MM



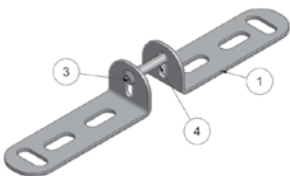
4900129 BOLTKIT FOR WASHING WALL AND FRONT PARTITION

Item	QTY	Part No	Description
1	3	39206037	SPLICING SLEEVE M6X37 STAINLESS TORX 30
2	3	39106030	CONNECTION SCREW M6X30 STAINLESS TORX 30
3	6	35600058	NUT WASHER Ø8X8,4/24/2 A2 DIN9021
4	3	20037	MASTER CLAMP WASHER Ø10,5/45 1,5 A2



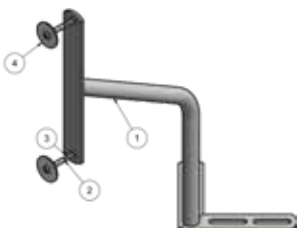
4900130 BOLT KIT UPROFILE AGAINST FEEDER

Item	QTY	Part No	Description
1	3	30310025	SET SCREW M10X25 A2 DIN 933
2	6	35900085	NUT WASHER Ø10X10,5/30/2,5 A2DIN 9021
3	3	33900029	LOCK NUT M10 A2 DIN 985



4900700 SUPPORT FOUNDATION PLATE

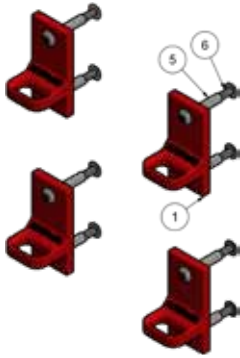
Item	QTY	Part No	Description
1	2	4950955	FLOOR ANGLE 133X44X39 MM A2
3	1	39106020	CONNECTION SCREW M6X20 STAINLESS
4	1	39206037	SPLICING SLEEVE M6X37 STAINLESS



4900508 STABILIZATOR KIT

Item	QTY	Part No	Description
1	1	4950508	ST STABILIZATOR FOR BOARDPROFILE OVER TROUGH
2	2	39206037	SPLICING SLEEVE M6X37 STAINLESS
3	2	39106040	CONNECTION SCREW M6X40 A2
4	2	20037	MASTER CLAMP WASHER Ø10,5/45 1,5 A2

Sales Bom



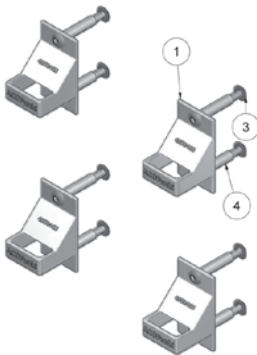
4900800 HINGER FOR FRONTPARTITION PVC

Item	QTY	Part No	Description
1	4	8500275	HINGER FOR FRONTPARTITION PVC
5	8	39206037	SPLICING SLEEVE M6X37 STAINLESS
6	8	39106030	CONNECTION SCREW M6X30 STAINLESS



4900801 HINGER FOR HATPROFILE PVC

Item	QTY	Part No	Description
1	2	8500271	HINGER FOR HATPROFILE PVC
3	4	39206037	SPLICING SLEEVE M6X37 STAINLESS
4	4	39106030	CONNECTION SCREW M6X30 STAINLESS



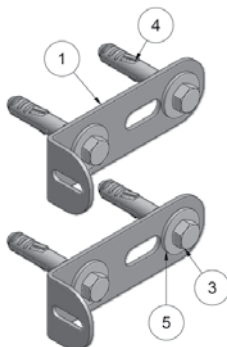
4900850 HINGER FOR FRONTPARTITION STAINLESS

Item	QTY	Part No	Description
1	4	4950463	HINGER FOR Y-OR U-PROFILE A2
3	8	39106020	CONNECTION SCREW M6X20 STAIN
4	8	39206037	SPLICING SLEEVE M6X37 STAINLESS



4900851 HINGER FOR HAT PROFILE STAINLESS

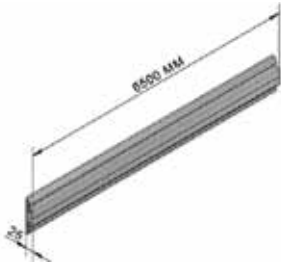
Item	QTY	Part No	Description
1	4	39106020	CONNECTION SCREW M6X20 A2
2	4	39206037	SPLICING SLEEVE M6X37 STAINLESS
3	2	4950465	HINGER FOR HUT PROFILE A2



4900591 MOUNTING KIT FOR WALL MOUNTING

Item	QTY	Part No	Description
1	2	4950955	FLOOR ANGLE 133X44X39 MM A2
3	4	34910070	COUCH SCREW M10X70 A2 DIN 571
4	4	39900001	WALL PLUG 12X60 MM
5	4	35900085	NUT WASHER Ø10X10,5/30/2,5 A2

Pvc profiles



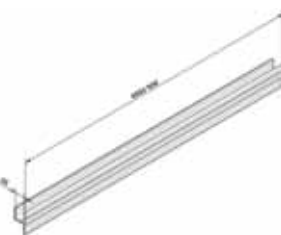
Part No	Description
2900357	POST PROFILE PVC 6,5 METER



Part No	Description
2900358	U-PROFILE PVC 6,5 METER



Part No	Description
2900359	HATPROFILE PVC 6,5 METER



Part No	Description
2900360	Y-PROFILE PVC 6,5 METER

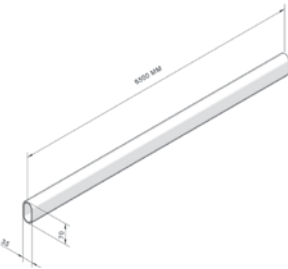


Part No	Description
2900361	H-PROFILE PVC 6,5 METER

Pvc profiles

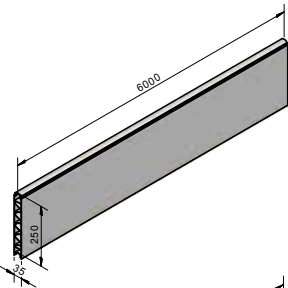


Part No	Beskrivelse
2900362	PROFILE 35X35 PVC 6,5 METER



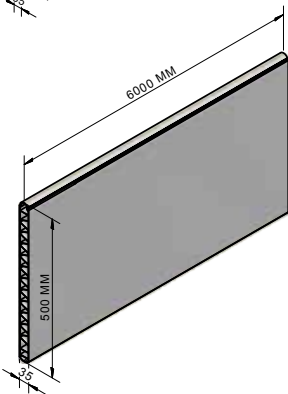
Part No	Description
8535075	BOARD PROFILE 35X70 OVAL 5,4 METER
8535076*	BOARD PROFILE 35X70 OVAL 6 METER
8535077	BOARD PROFILE 35X70 OVAL 7 METER
9340350	BOARD PROFILE 70X35 OVAL SPEC.L. PRICE PER METER

*On Stock



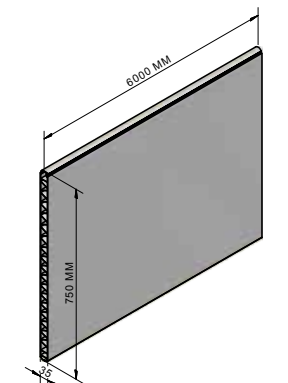
Part No	Description
30099	BOARDPROFILE 35X250 MM SPEC. LENGTH PRICE PER METER
30100*	BOARDPROFILE 35X250 MM LENGTH 6 METER

*On Stock



Part No	Description
30102	BOARDPROFILE 35X500 MM SPEC. LENGTH PRICE PER METER
30103*	BOARDPROFILE 35X500 MM LENGTH 6 METER

*On Stock



Part No	Description
30105	BOARDPROFILE 35X750 MM SPEC. LENGTH PRICE PER METER
30106*	BOARDPROFILE 35X750 MM LENGTH 6 METER

*On Stock

Description for Funkiflex finisher

Procedure

1. U-profiles to be mounted into floor and wall.
2. Mounting of PVC board profiles and posts.
3. The pen is measured.
4. Foot plates are fixed to floor.
5. Partitions and doors towards corridor are mounted.

Running and maintenance

- Pens for finisher, delivered by ACO Funki, has a dimension for finisher with a weight interval of 6-110 kg.
- Reservation is taken for inappropriate behavior from the staff, such as heavy beating, use of wrong tools, etc.
- Reservation is taken for inappropriate behavior from pigs, caused by external stress, etc
- The warranties do not cover ordinary wear and accidental damages.
- PVC Board profiles and other PVC parts must not be cleaned by high-pressure cleaning for longer periods with a constant beam, and/or with increased pressure from a short distance. The recommended pressure is max. 180 bar.
- Heating lamp, gear, motor, motor protection, controllers, signals, hand witch, relies system etc. must not be cleaned by high pressure cleaner.
- Cover for piglets must not be cleaned on the side with high pressure cleaner.
- Reservation is taken for inappropriate use of chemicals in connection with cleaning that could discolor or harm in form of etching.
- All water systems have to be cleaned frequently and decalcified.
- In connection with cleaning, the stable must dry out, in order for the components not to be exposed to constant moisture.
- All mounted and movable parts must be cleaned ongoing, retighten and lubricated. However if the parts gets lose within the first month after start up, ACO Funki has to be contacted immediately. We recommend lubricating with grease and oil on all movable iron parts, like hinges, locks, gates, brackets, corner wheels, drive units etc.
- All wearing part is not reclaimable, because these parts are considered as consumables.
- Smaller spots of corrosion on stainless steel parts must be expected. Warranties are only valid for rust perforation.
- ACO Funki products can be damaged by outdoors storage. We recommend maximum 1 month outdoors storage. However one can expect changes in the surface such as discoloring, rust spots etc. already within the first month.
- ACO Funkis complaint-handling is according to current legislation.