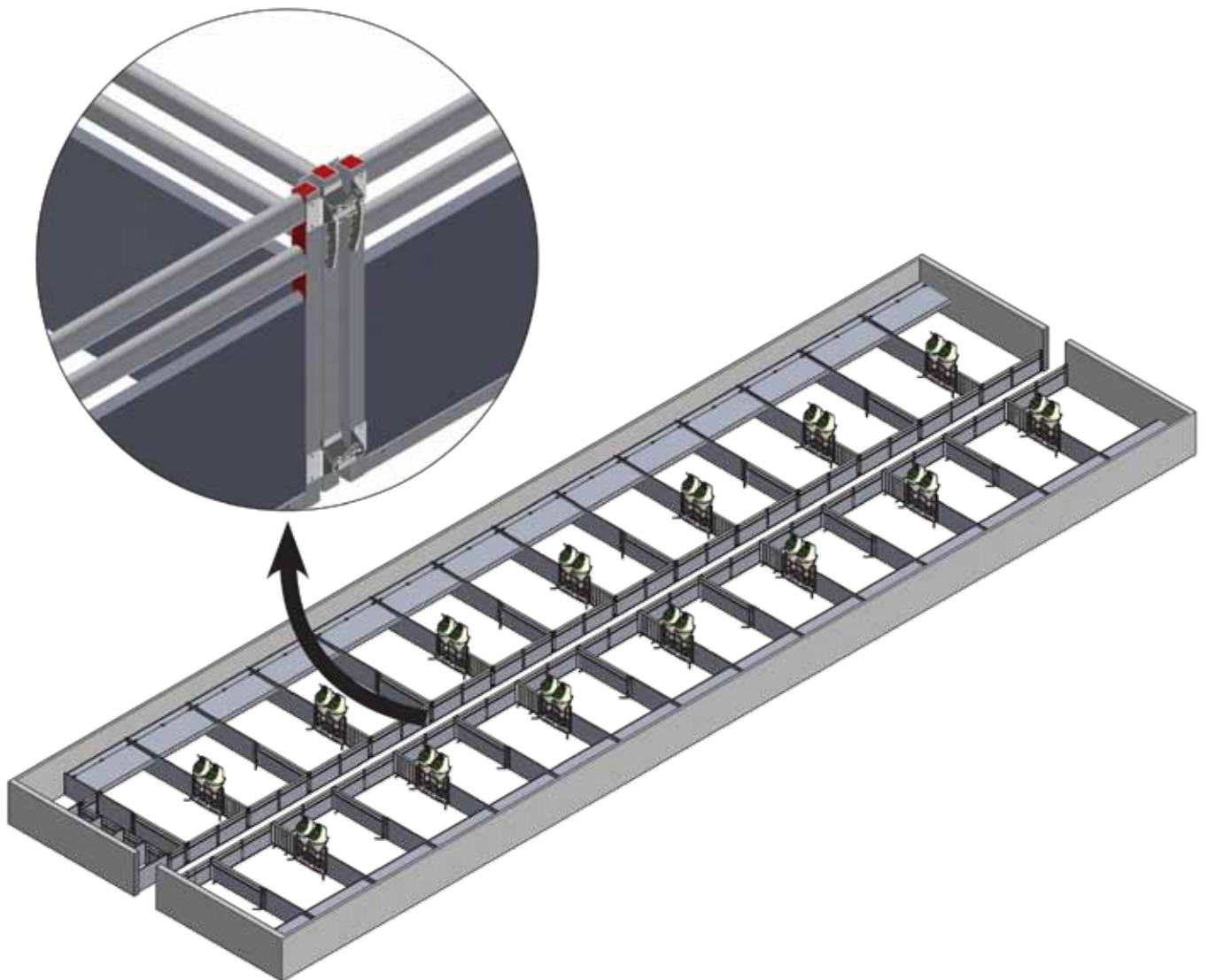


# MOUNTING INSTRUCTION



## FUNKI FLEX VER. 2 WEANER

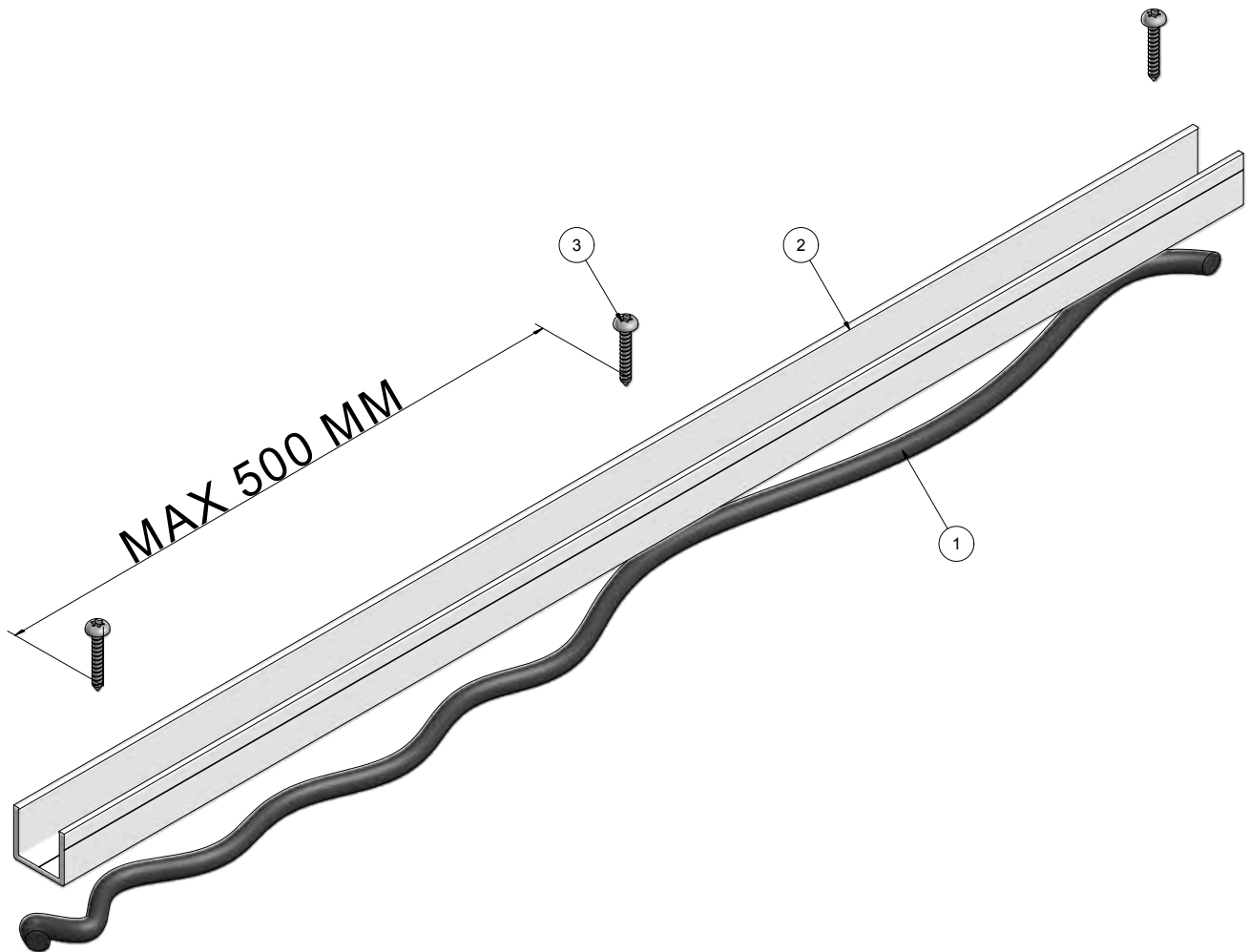


**ACO FUNKI A/S**  
Kirkevænget 5  
DK-7400 Herning

Tel. +45 9711 9600  
[www.acofunki.com](http://www.acofunki.com)



# ACO FUNKI



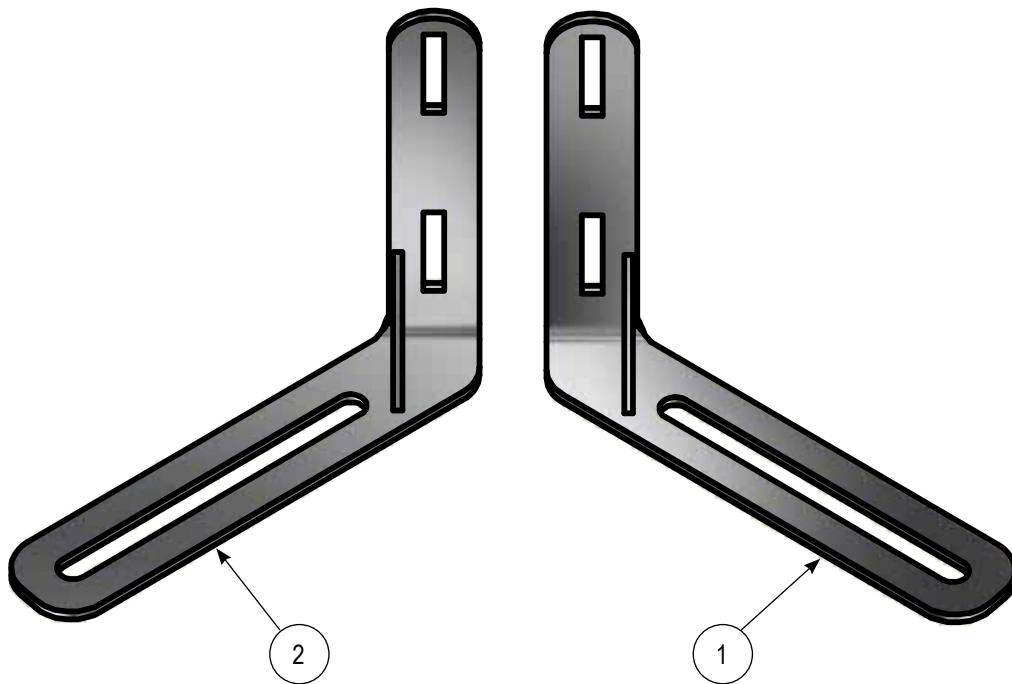
| Item | QTY | Part No   | Description                                   |
|------|-----|-----------|---|
| 1    |     | 23900078* | SIKAFLEX SEALING COMPOUND 600 ML FOR 30 METER |
| 2    |     | 2900358*  | U-PROFILE PVC 6,5 METER                       |
| 3    |     | 39406050* | CONCRETE SCREW 6,5 X 50                       |

\* Fitted when needed.

**M-6175-2**



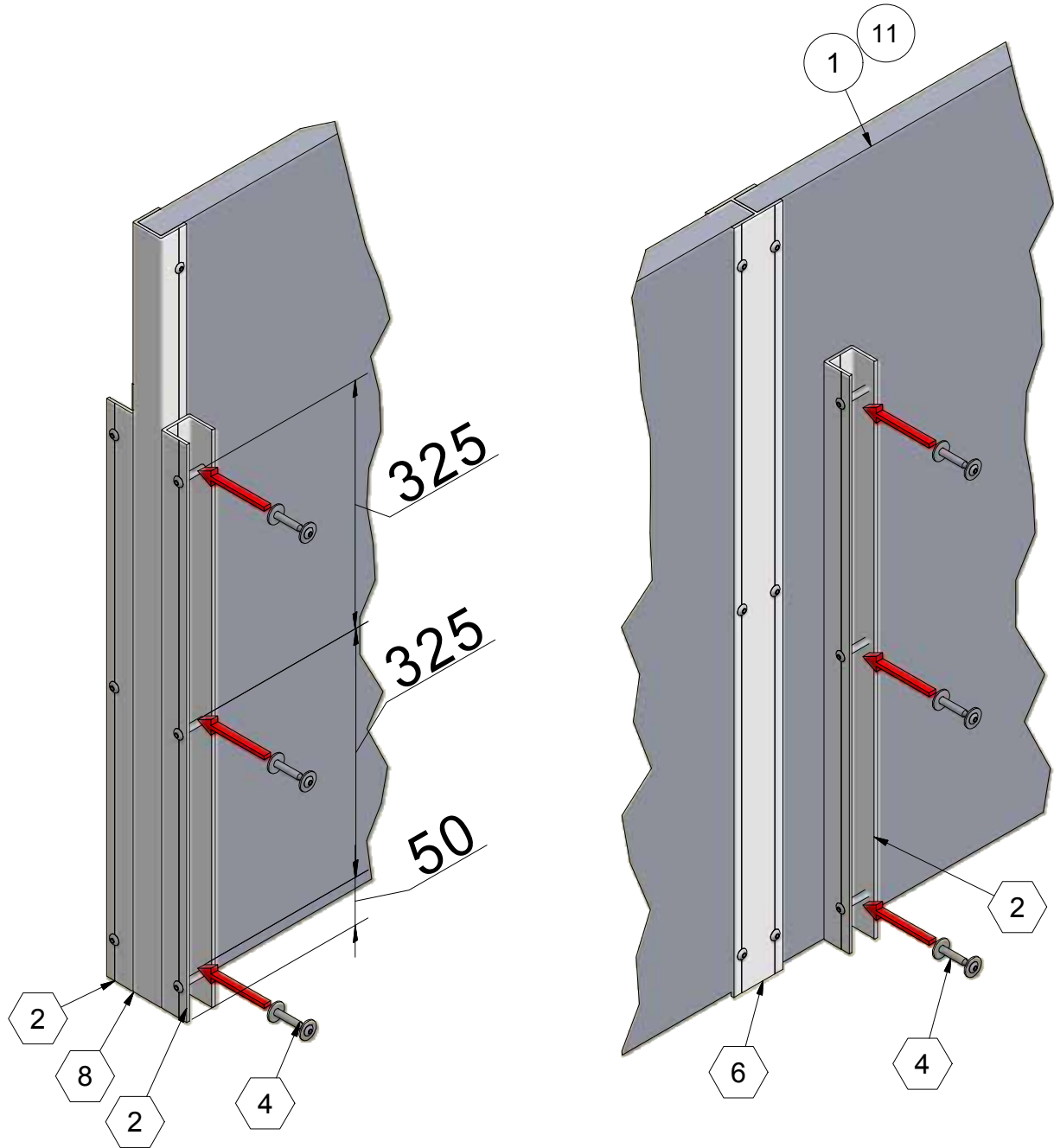
# ACO FUNKI



| Item | QTY | Part No | Description   |
|------|-----|---------|---|
| 1    | 1   | 4150612 | STAINLESS STEEL FOUNDATION PLATE RIGHT FOR FUNKI FLEX |
| 2    | 1   | 4150613 | STAINLESS STEEL FOUNDATION PLATE LEFT FOR FUNKI FLEX  |

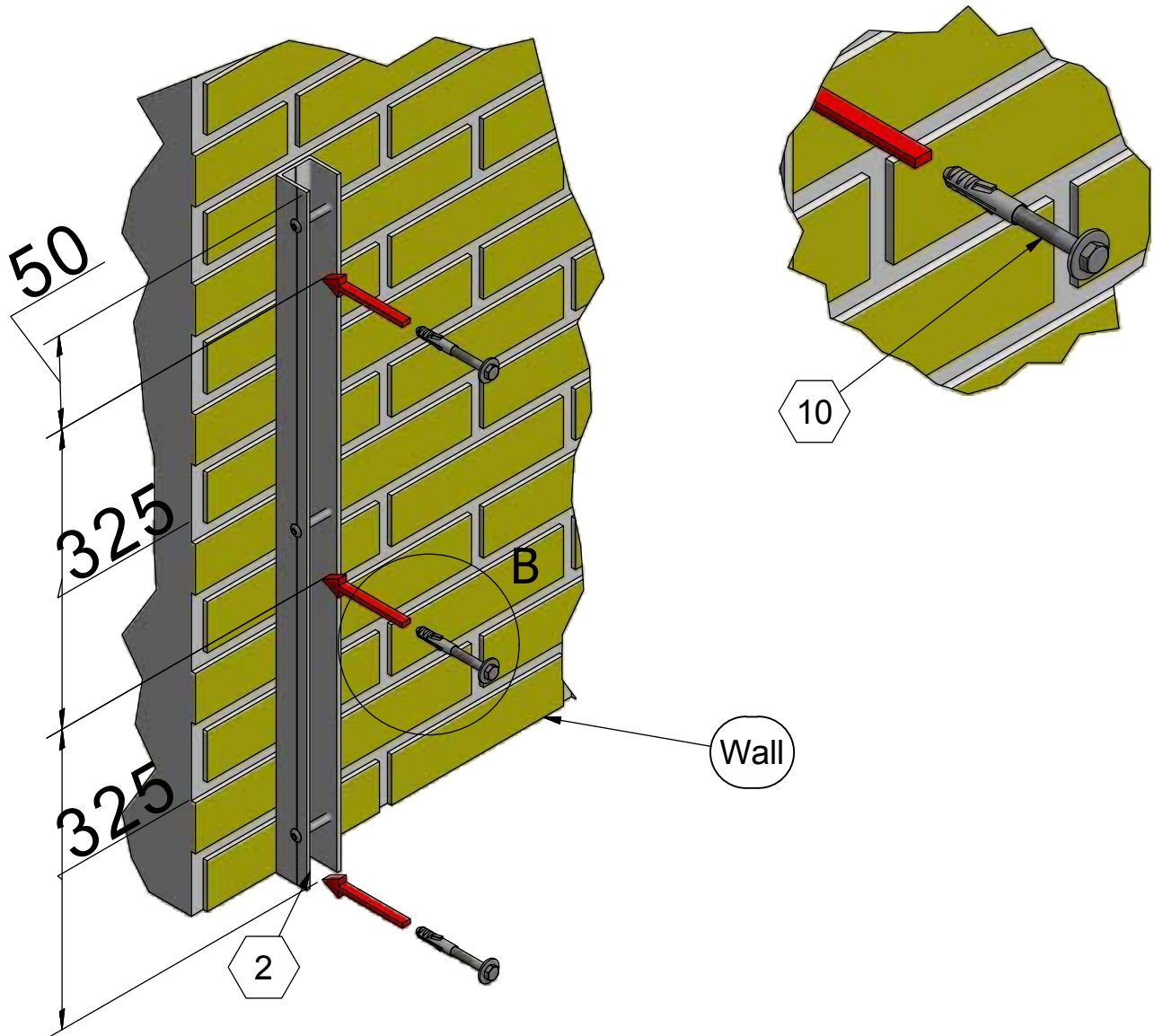
Look at in Pricebook for fixing in floor for mounting .

# ACO FUNKI



**M-6175-4**

B ( 1 : 3 )



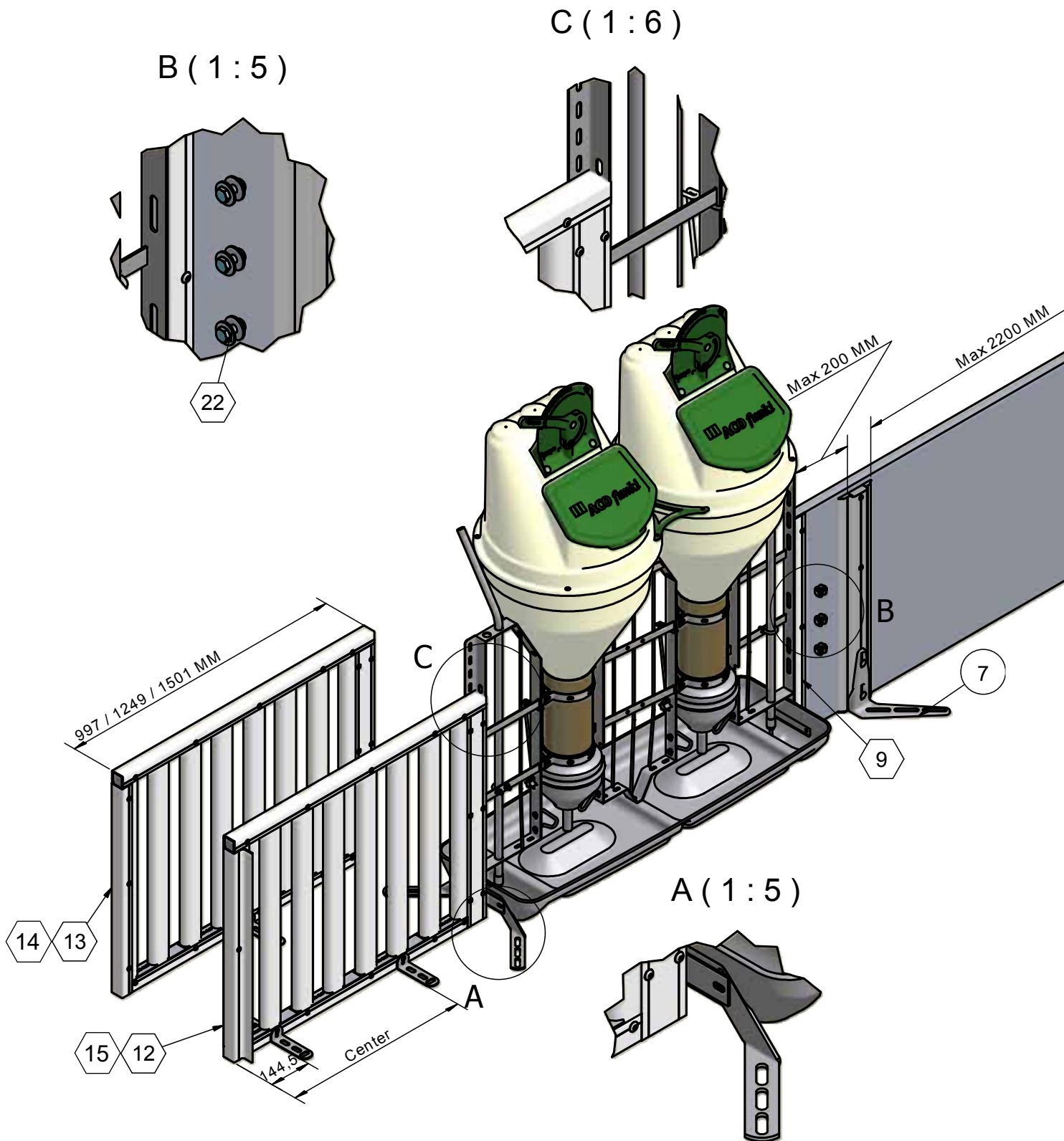
| Item | QTY | Part No | Description                                  |
|------|-----|---------|--|
| 1    | 2   | 30106   | BOARDPROFILE 35X750 MM LENGTH 6 METER        |
| ②    | 4   | 3100312 | UPROFILE 755 MM                              |
| ④    | 4   | 4900129 | BOLTKIT FOR WASHING WALL AND FRONT PARTITION |
| ⑥    | 1   | 4100500 | H-PROFILE 1005 MM INCL. CONNECTING SCREW     |
| ⑧    | 1   | 4100657 | U-PROFILE 1005 MM INCL. CONNECTING SCREW     |
| ⑩    | 1   | 4900128 | BOLTKIT FOR WALL                             |
| 11   | 2   | 30100   | BOARDPROFILE 35X250 MM LENGTH 6 METER        |

⑥ Sales Bom See the back of the mounting instruction.

**M-6175-5**

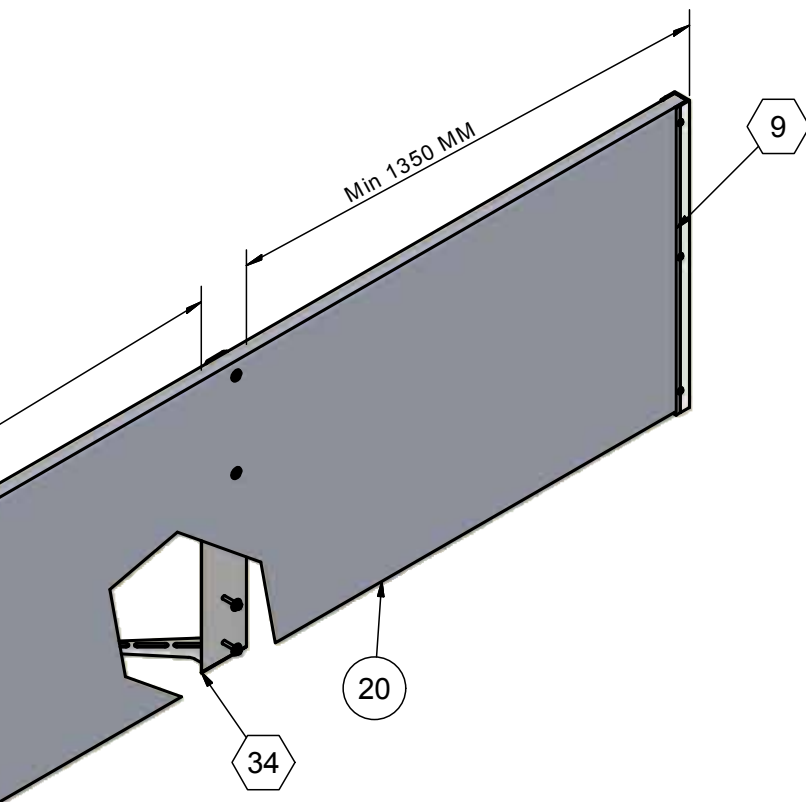
# ACO FUNKI

FF 750\_01



**M-6175-6**

# ACO FUNKI



| Item | QTY | Part No         | Description  |
|------|-----|-----------------|--|
| 7    | 2   | 4150122/4150123 | FOUNDATION PLATE STAINLESS STEEL                         |
| 9    | 2   | 3100312         | UPROFILE 755 MM  |
| 12   | 1   | 3100700/701/702 | CONTACT GRILLE WITH HAT PROFILE CLOSED                   |
| 13   | 1   | 3100730/731/732 | CONTACT GRILLE WITH U-PROFILE CLOSED                     |
| 14   | 1   | 3100873/874/875 | STAINLESS STEEL CONTACTGRILLE H:750 WITH SCREW           |
| 15   | 1   | 3110873/874/875 | STAINLESS STEEL CONTACTGRILLE H:760 WITH FOUNDATIONPLATE |
| 20   | 1   | 30106           | BOARDPROFILE 35X750 MM LENGTH 6 METER                    |
| 22   | 1   | 4900130         | BOLT KIT UPROFILE AGAINST FEEDER                         |
| 34   | 2   | 3100063         | POST PROFILE FOR FOUNDATION PLATE                        |

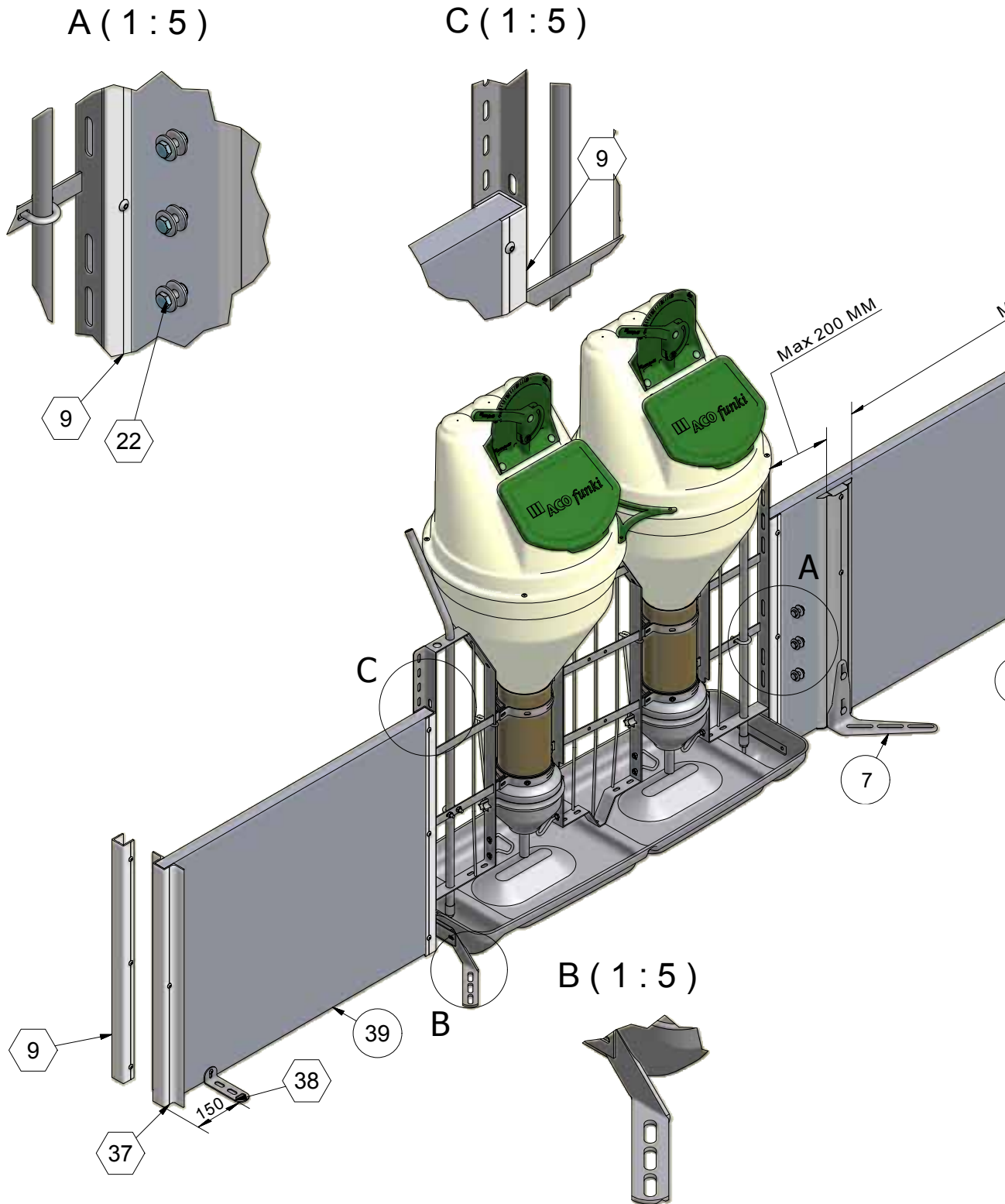
⬡ Sales Bom See the back of the mounting instruction.

**M-6175-7**



# ACO FUNKI

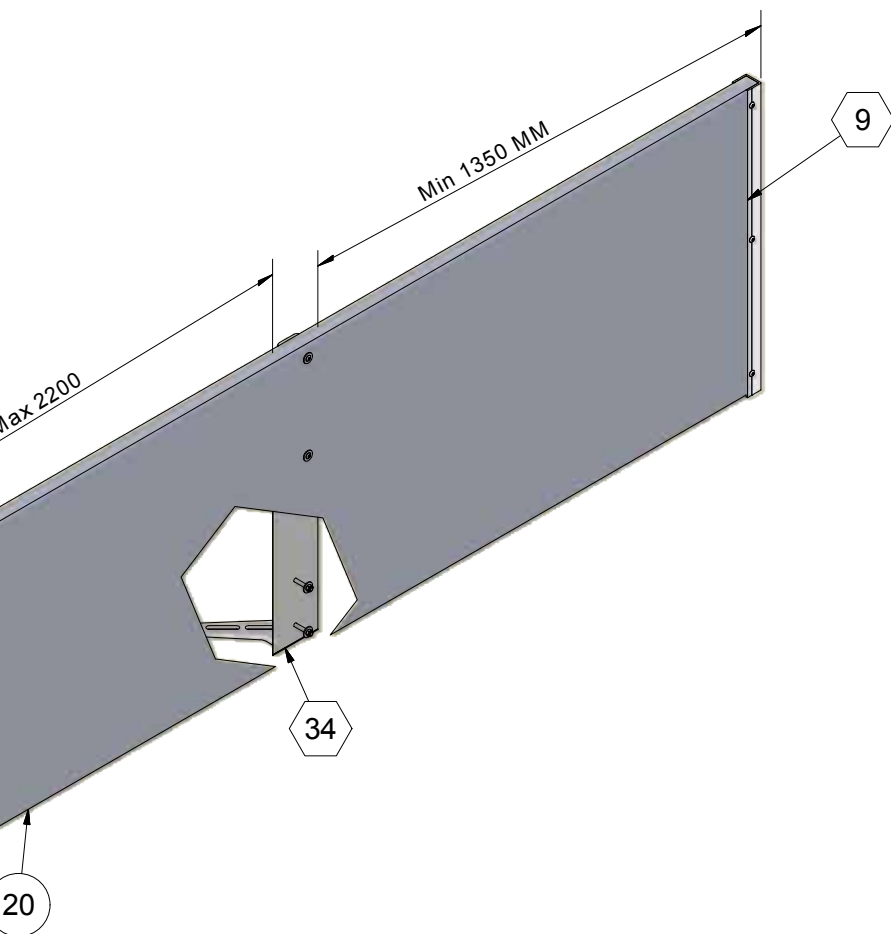
FF 750\_02



**M-6175-8**



# ACO FUNKI



| Item | QTY | Part No          | Description                           |
|------|-----|------------------|---------------------------------------|
| 7    | 2   | 4150122/ 4150123 | FOUNDATION PLATE STAINLESS STEEL      |
| 9    | 4   | 3100312          | UPROFILE 755 MM                       |
| 20   | 1   | 30106            | BOARDPROFILE 35X750 MM LENGTH 6 METER |
| 22   | 1   | 4900130          | BOLT KIT UPROFILE AGAINST FEEDER      |
| 34   | 2   | 3100063          | POST PROFILE FOR FOUNDATION PLATE     |
| 37   | 1   | 3100310          | HATPROFILE 755 MM                     |
| 38   | 1   | 4900700          | SUPPORT FOUNDATION PLATE              |
| 39   | 1   | 30106            | BOARDPROFILE 35X750 MM LENGTH 6 METER |

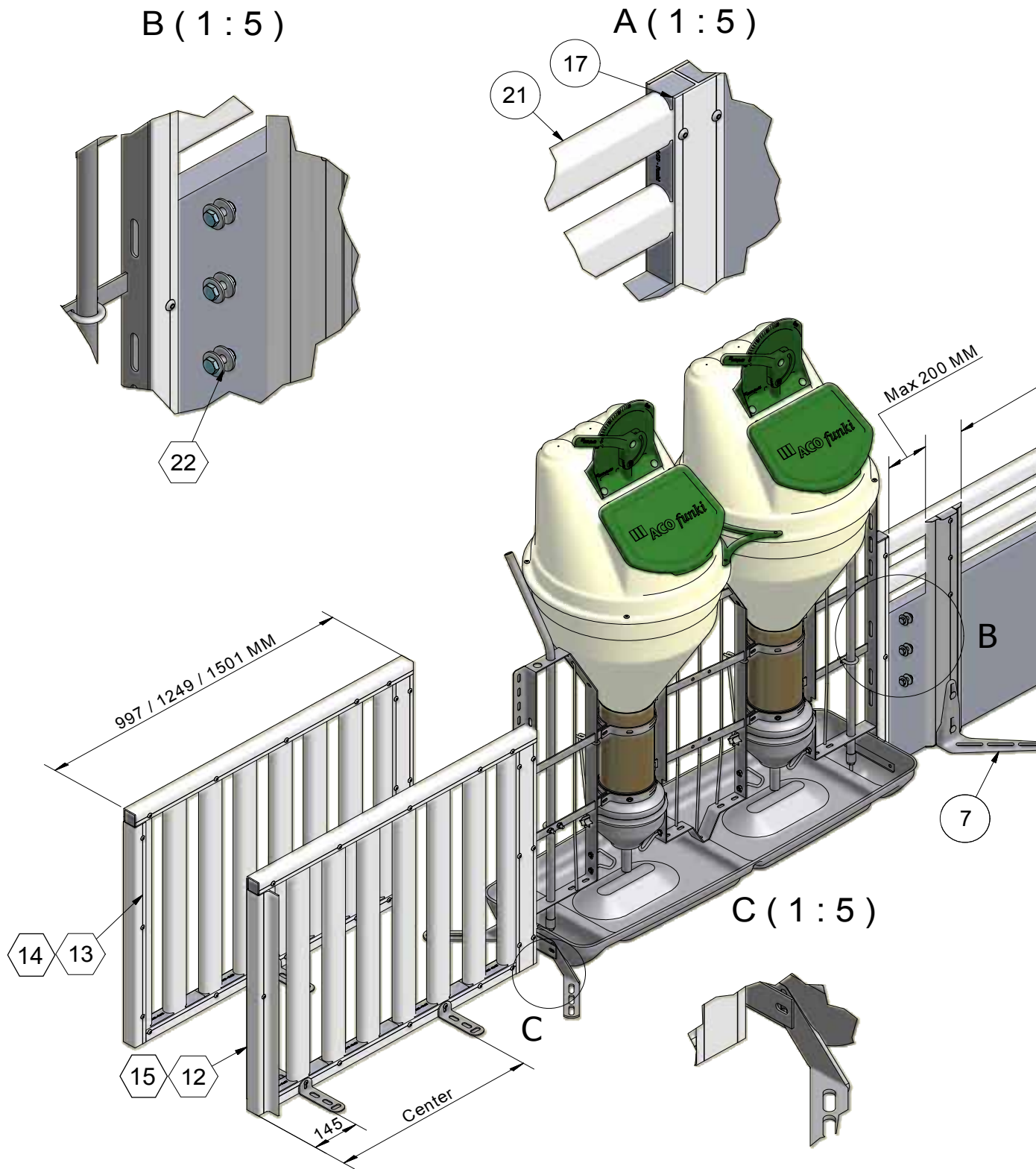
9 Sales Bom See the back of the mounting instruction.

**M-6175-9**



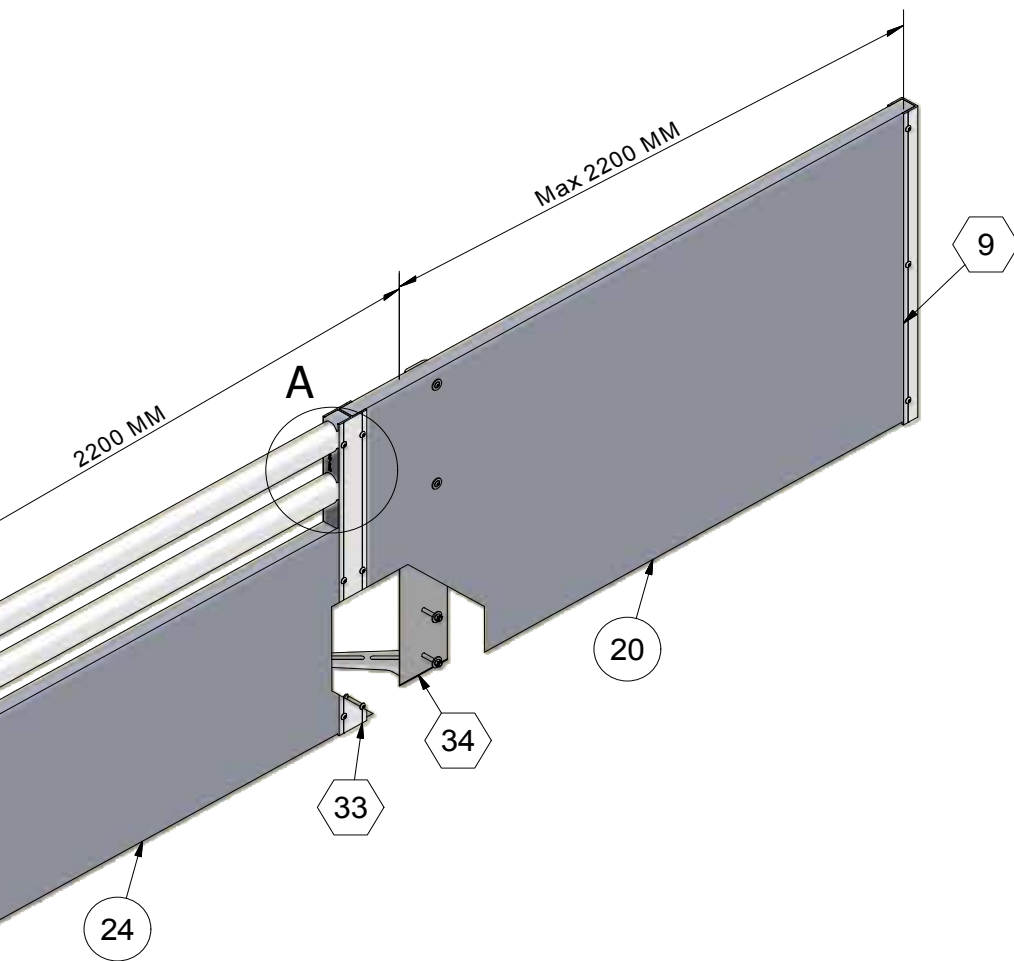
# ACO FUNKI

FF 750\_03



M-6175-10

# ACO FUNKI



| Item | QTY | Part No          | Description   |
|------|-----|------------------|---|
| 7    | 2   | 4150122/ 4150123 | FOUNDATION PLATE STAINLESS STEEL                      |
| 9    | 2   | 3100312          | UPROFILE 755 MM                                       |
| 12   | 1   | 3100700/701/702  | CONTACT GRILLE WITH HAT PROFILE CLOSED                |
| 13   | 1   | 3100730/731/732  | CONTACT GRILLE WITH U-PROFILE CLOSED                  |
| 17   | 2   | 8500255          | INSERT FOR DOUBLE 70X35 MM BOARED                     |
| 20   | 1   | 30106            | BOARDPROFILE 35X750 MM LENGTH6 METER                  |
| 21   | 2   | 9340350          | BOARD PROFILE 70X35 OVAL SPEC.LENGHT, PRICE PER METER |
| 22   | 1   | 4900130          | BOLT KIT UPROFILE AGAINST FEEDER                      |
| 24   | 1   | 30103            | BOARDPROFILE 35X500 MM LENGTH6 METER                  |
| 33   | 1   | 3100500          | H-PROFILE 755 MM                                      |
| 34   | 2   | 3100063          | POST PROFILE FOR FOUNDATION PLATE                     |

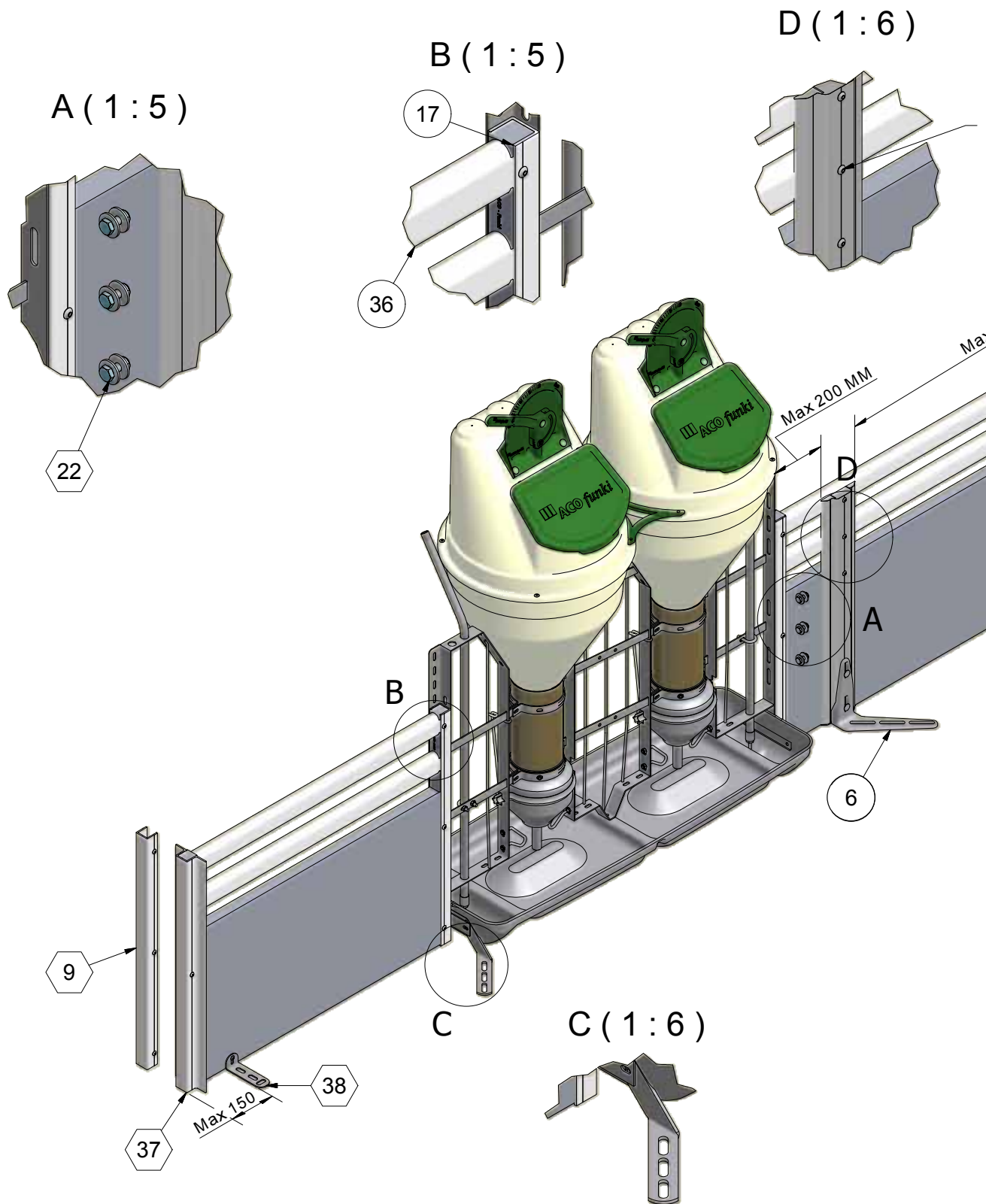
⬡ Sales Bom See the back of the mounting instruction.

**M-6175-11**



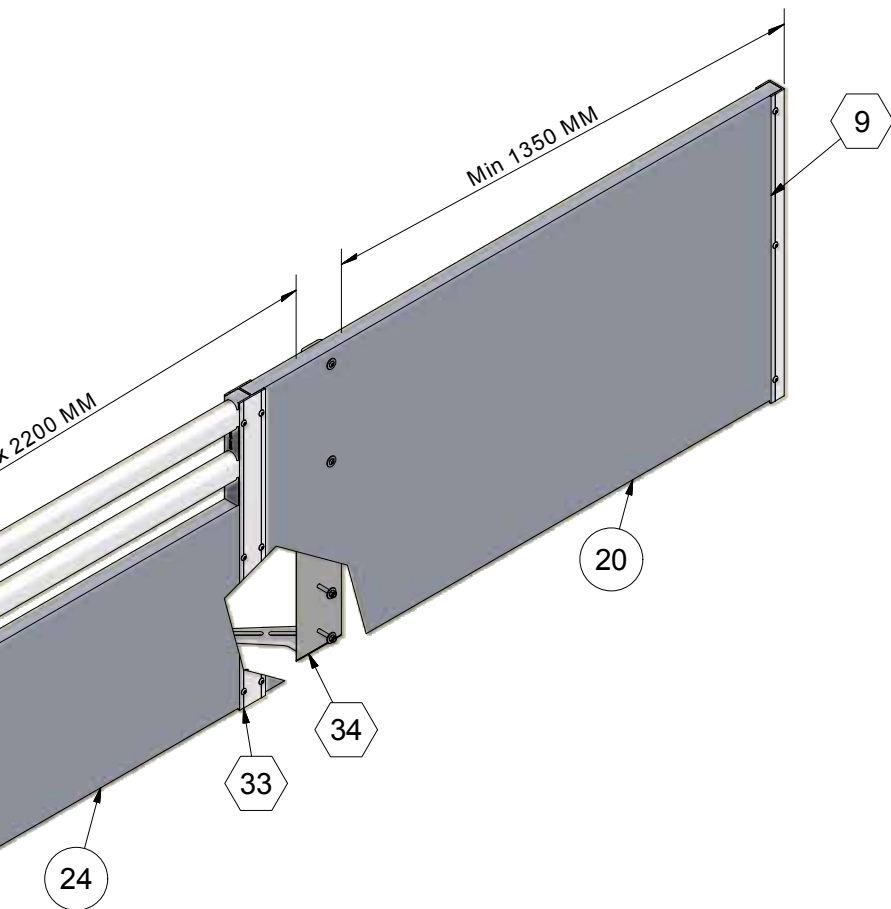
# ACO FUNKI

FF 750\_04



M-6175-12

# ACO FUNKI



| Item | QTY | Part No          | Description   |
|------|-----|------------------|---|
| 6    | 2   | 4150122/ 4150123 | FOUNDATION PLATE STAINLESS STEEL                      |
| ⑨    | 4   | 3100312          | UPROFILE 755 MM                                       |
| 17   | 4   | 8500255          | INSERT FOR DOUBLE 70X35 MM BOARD, STRAIGHT            |
| 20   | 1   | 30106            | BOARDPROFILE 35X750 MM LENGTH 6 METER                 |
| 21   | 2   | 9340350          | BOARD PROFILE 70X35 OVAL SPEC.LENGHT, PRICE PER METER |
| ②②   | 1   | 4900130          | BOLT KIT UPROFILE AGAINST FEEDER                      |
| 24   | 1   | 30103            | BOARDPROFILE 35X500 MM LENGTH 6 METER                 |
| ③③   | 1   | 3100500          | H-PROFILE 755 MM                                      |
| ③④   | 2   | 3100063          | POST PROFILE FOR FOUNDATION PLATE                     |
| 35   | 1   | 30103            | BOARDPROFILE 35X500 MM LENGTH 6 METER                 |
| 36   | 2   | 9340350          | BOARD PROFILE 70X35 OVAL SPEC.LENGHT, PRICE PER METER |
| ③⑦   | 1   | 3100310          | HATPROFILE 755 MM                                     |
| ③⑧   | 1   | 4900700          | SUPPORT FOUNDATION PLATE                              |

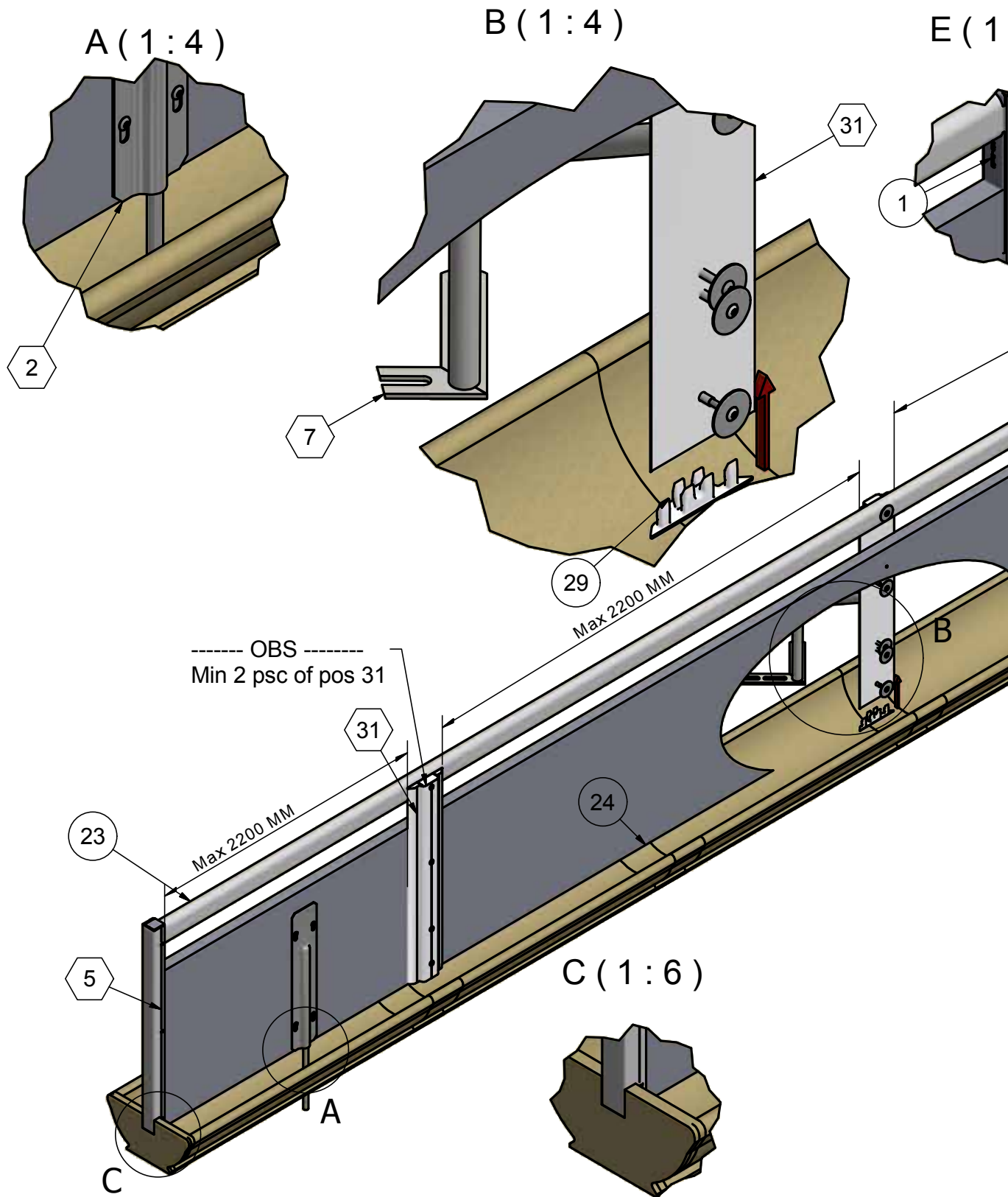
⑨ Sales Bom See the back of the mounting instruction

**M-6175-13**



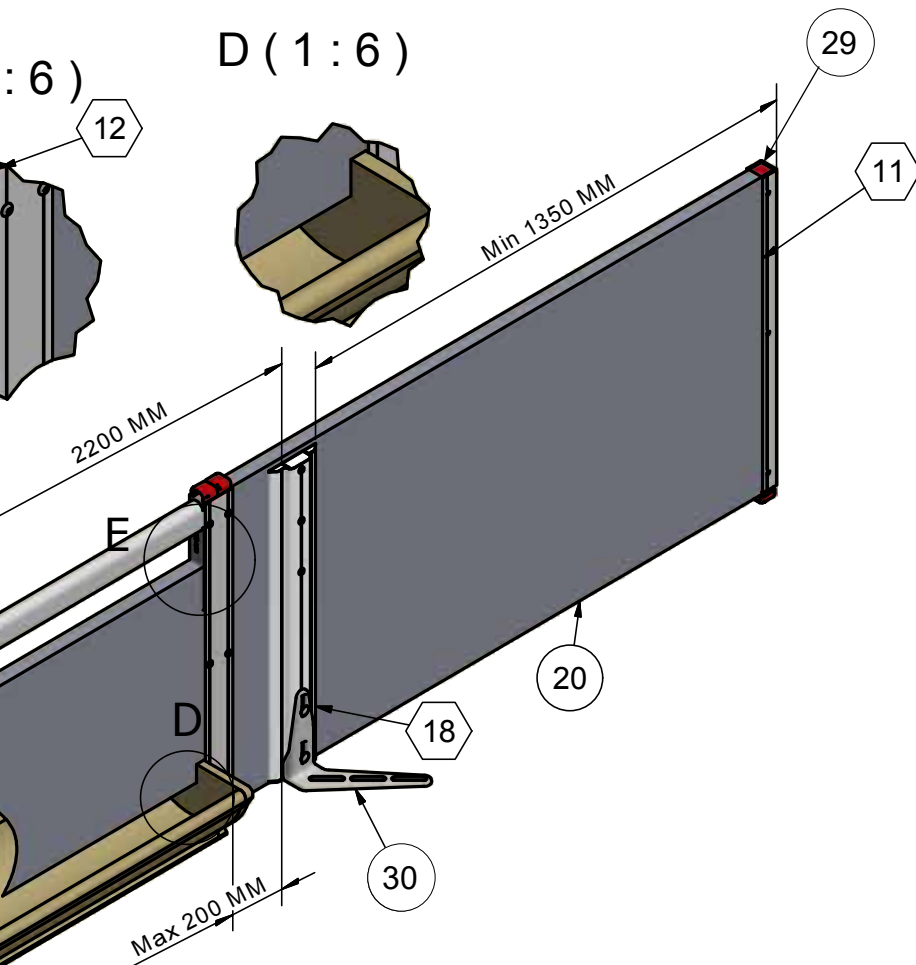
# ACO FUNKI

FF 750\_05



M-6175-14

# ACO FUNKI



| Item | QTY | Part No          | Description   |
|------|-----|------------------|---|
| 1    | 2   | 8500154          | INSERT FOR SINGLE 70X35 MM BOARD, STRAIGHT            |
| ②    | 1   | 36254            | STAINLESS STEEL DORN FOR LIQUID WALL MOUNTING KIT     |
| ⑤    | 1   | 3100311          | UPROFILE 650 MM                                       |
| ⑦    | 1   | 4900508          | STABILIZATOR KIT                                      |
| ⑪    | 1   | 3100312          | UPROFILE 755 MM                                       |
| ⑫    | 1   | 3100500          | H-PROFILE 755 MM                                      |
| ⑱    | 1   | 3100063          | POST PROFILE FOR FOUNDATION PLATE                     |
| 20   | 1   | 30106            | BOARDPROFILE 35X750 MM LENGTH 6 METER                 |
| 23   | 1   | 9340350          | BOARD PROFILE 70X35 OVAL SPEC.LENGHT, PRICE PER METER |
| 24   | 1   | 30103            | BOARDPROFILE 35X500 MM LENGTH 6 METER                 |
| 29   | 1   | 8500600          | COVERING CAP FOR POST                                 |
| 30   | (1) | 4150122/ 4150123 | FOUNDATION PLATE STAINLESS STEEL                      |
| ⑳    | 2   | 3100591          | POST FOR STABILISATOR                                 |

⑤ Sales Bom See the back of the mounting instruction

A: Trough has to be sawn.

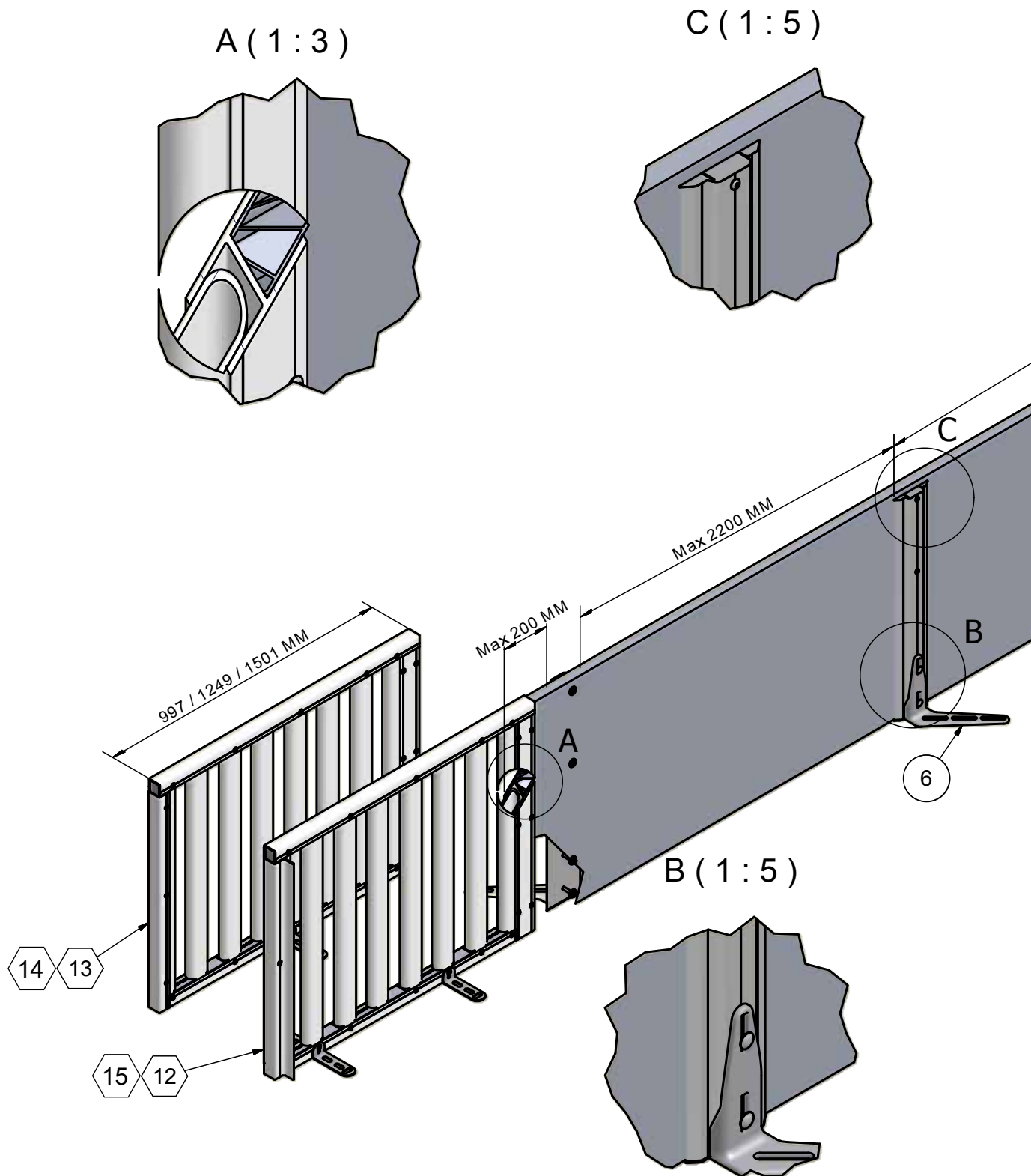
B: Ø12 is drilled when there is solid surface.

**M-6175-15**



# ACO FUNKI

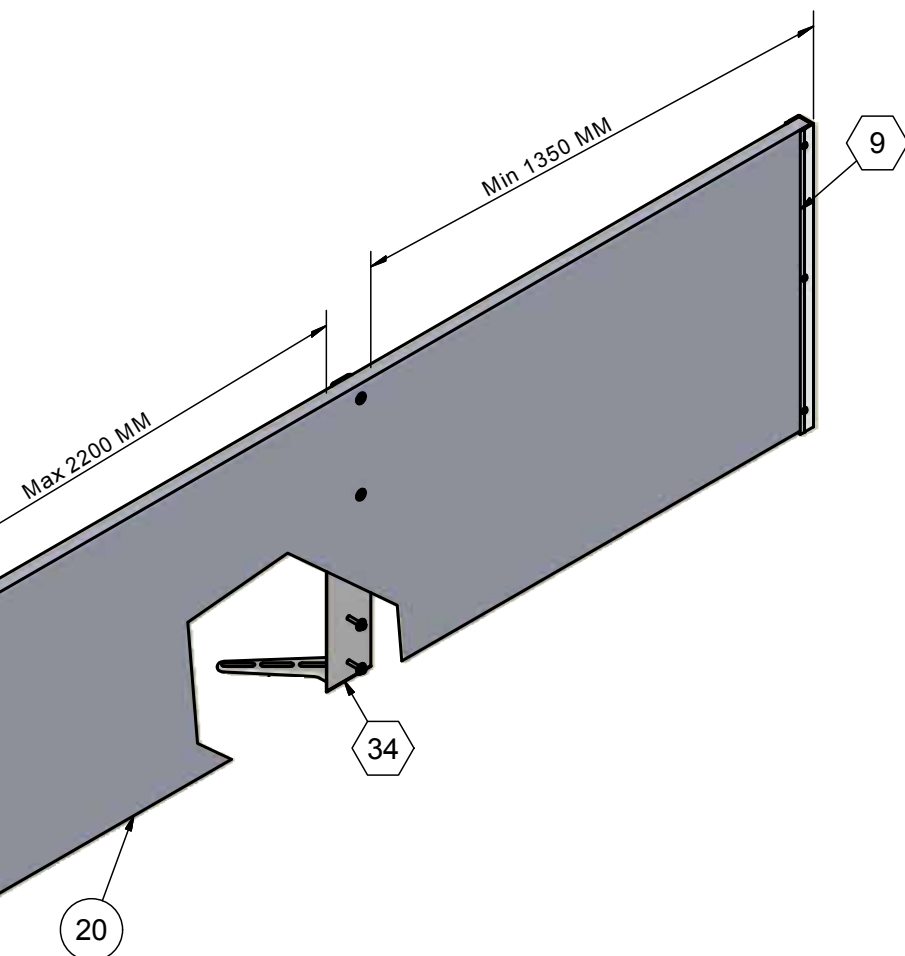
FF 750\_07



**M-6175-16**



# ACO FUNKI



| Item | QTY | Part No          | Description                                      |
|------|-----|------------------|--|
| 6    | 3   | 4150122/ 4150123 | FOUNDATION PLATE STAINLESS STEEL                 |
| 9    | 1   | 3100312          | UPROFILE 755 MM                                  |
| 12   | 1   | 3100710/711/712  | CONTACT GRILLE H:755 L:997 WITH HAT PROFILE OPEN |
| 13   | 1   | 3100720/721/722  | CONTACT GRILLE H:755 L:997 WITH HAT PROFILE OPEN |
| 14   | 1   | 3100873/874/875  | RUSTFRIT KONTAKTGITTER H:750 MED SKRUER          |
| 15   | 1   | 3110873/874/875  | RUSTFRIT KONTAKTGITTER H:760 MED FODPLADE        |
| 20   | 1   | 30106            | BOARDPROFILE 35X750 MM LENGTH 6 METER            |
| 34   | 3   | 3100063          | POST PROFILE FOR FOUNDATION PLATE                |

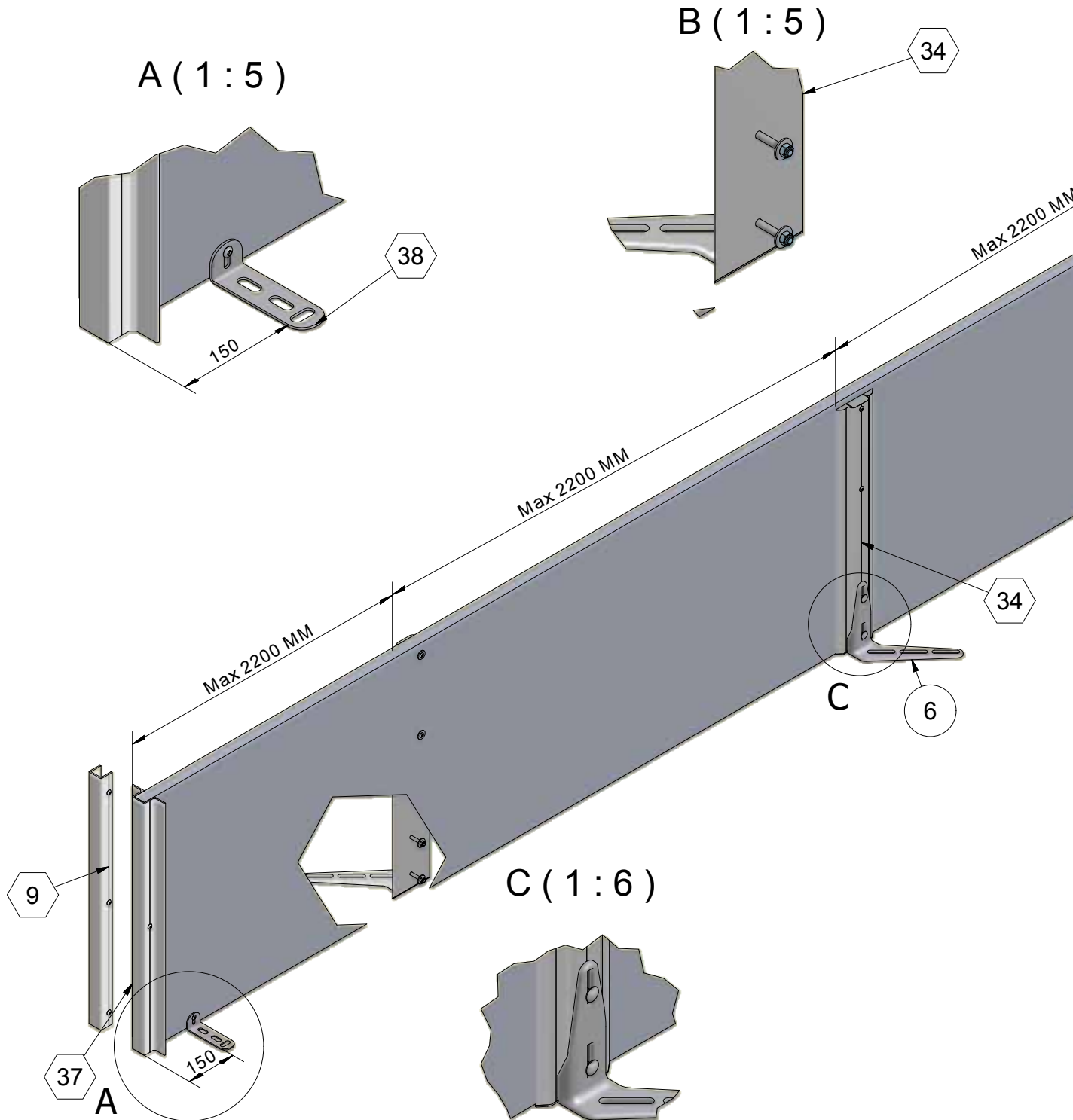
⬡ Sales Bom See the back of the mounting instruction

**M-6175-17**



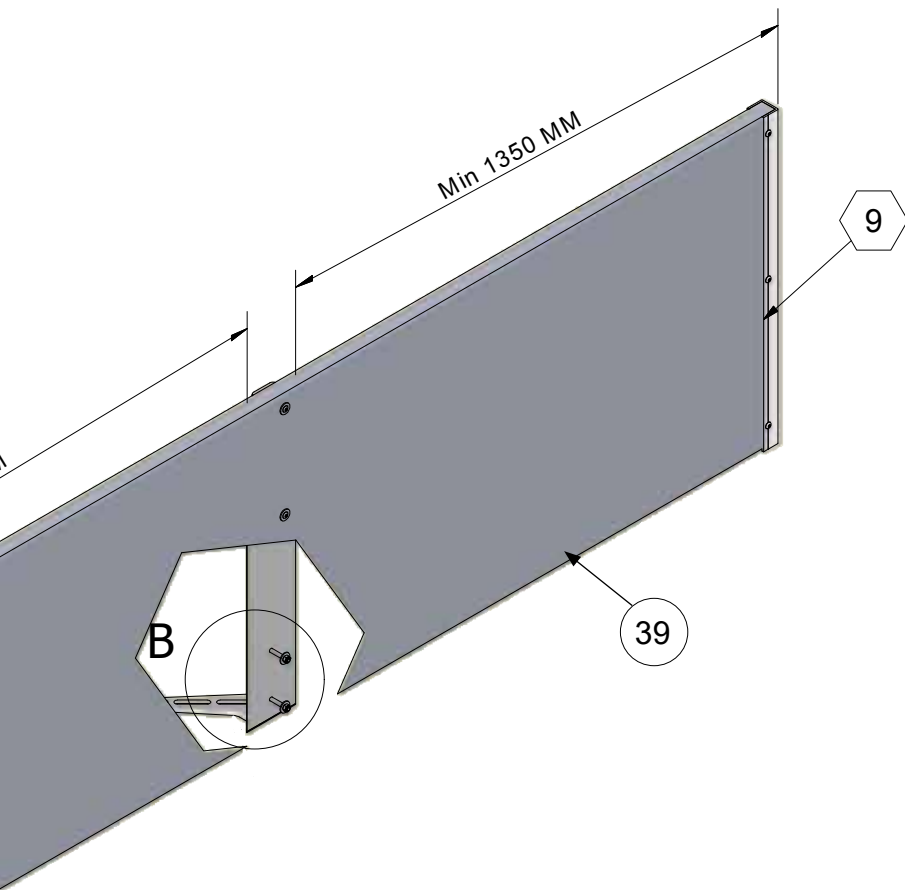
# ACO FUNKI


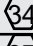
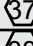
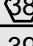
FF 750\_08



M-6175-18

# ACO FUNKI



| Item   | QTY | Part No         | Description                           |
|--|-----|-----------------|---------------------------------------|
| 6  | (3) | 4150122/4150123 | FOUNDATION PLATE STAINLESS STEEL      |
|  9  | 2*  | 3100312         | UPROFILE 755 MM                       |
|  34 | 3   | 3100063         | POST PROFILE FOR FOUNDATION PLATE     |
|  37 | 1*  | 3100310         | HATPROFILE 755 MM                     |
|  38 | 1   | 4900700         | SUPPORT FOUNDATION PLATE              |
| 39   | 1   | 30106           | BOARDPROFILE 35X750 MM LENGTH 6 METER |

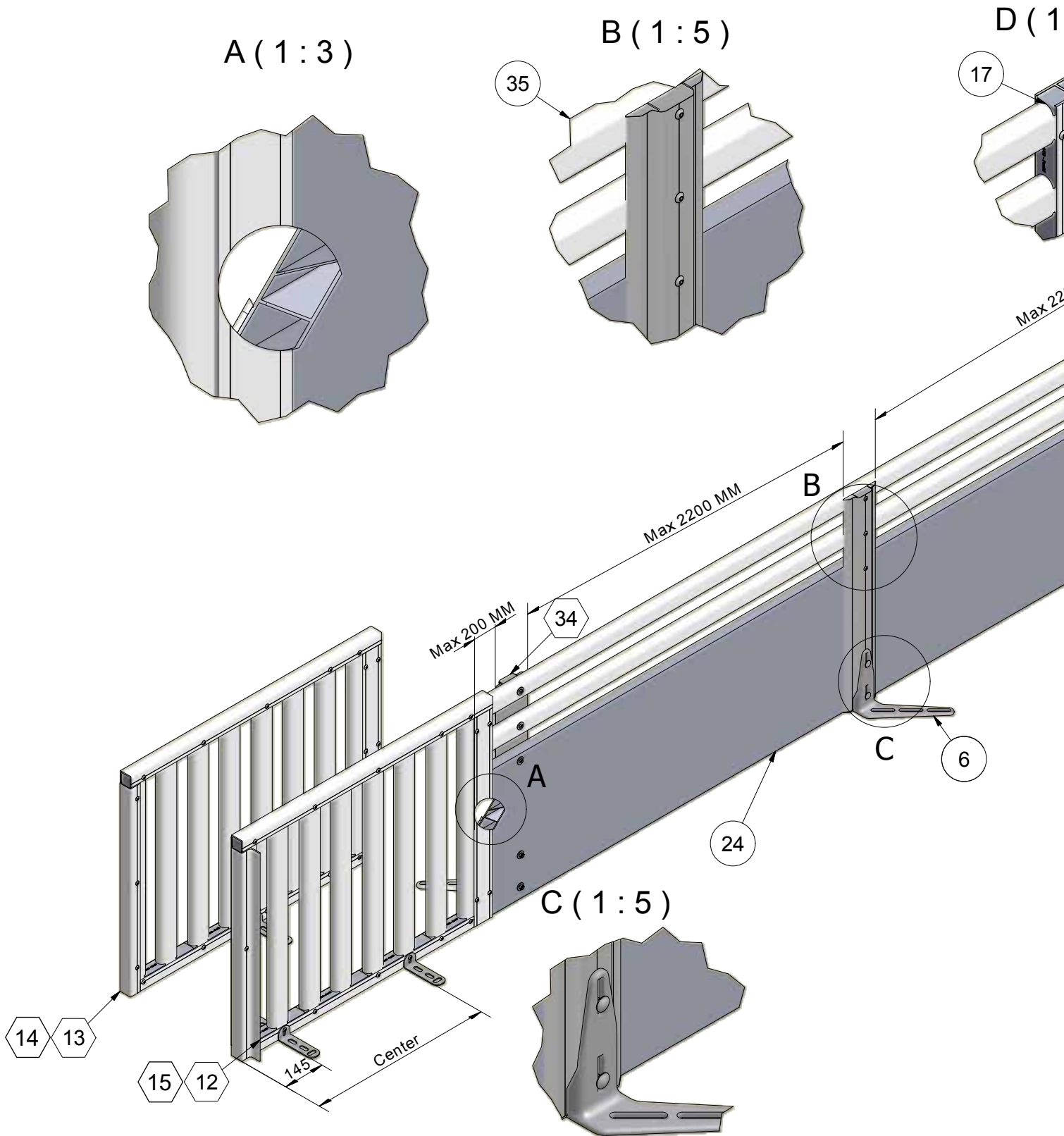
 Sales Bom See the back of the mounting instruction

**M-6175-19**



# ACO FUNKI

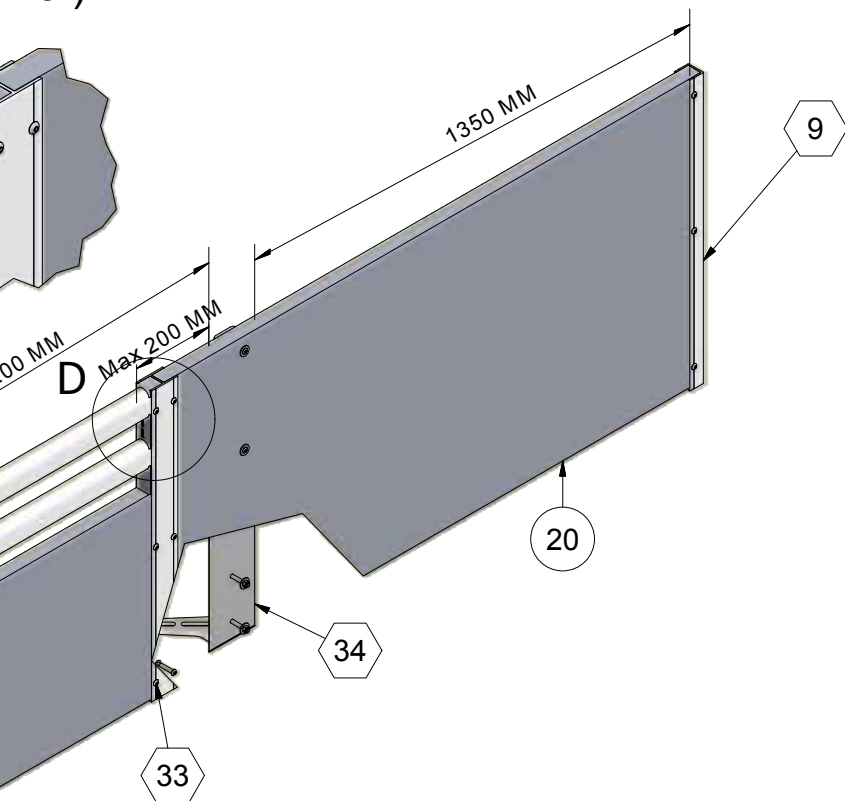
FF 750\_09



**M-6175-20**

# ACO FUNKI

: 6 )



| Item | QTY | Part No         | Description   |
|------|-----|-----------------|---|
| 6    | 3   | 4150122/4150123 | FOUNDATION PLATE STAINLESS STEEL                      |
| 9    | 1   | 3100312         | UPROFILE 755 MM                                       |
| 12   | 1   | 3100710/711/712 | CONTACT GRILLE WITH HAT PROFILE OPEN                  |
| 13   | 1   | 3100720/721/722 | CONTACT GRILLE WITH HAT PROFILE OPEN                  |
| 17   | 2   | 8500255         | INSERT FOR DOUBLE 70X35 MM BOARED                     |
| 20   | 1   | 30106           | BOARDPROFILE 35X750 MM LENGTH 6 METER                 |
| 24   | 1   | 30103           | BOARDPROFILE 35X500 MM LENGTH 6 METER                 |
| 33   | 1   | 3100500         | H-PROFILE 755 MM                                      |
| 34   | 3   | 3100063         | POST PROFILE FOR FOUNDATION PLATE                     |
| 35   | 2   | 9340350         | BOARD PROFILE 70X35 OVAL SPEC.LENGHT, PRICE PER METER |

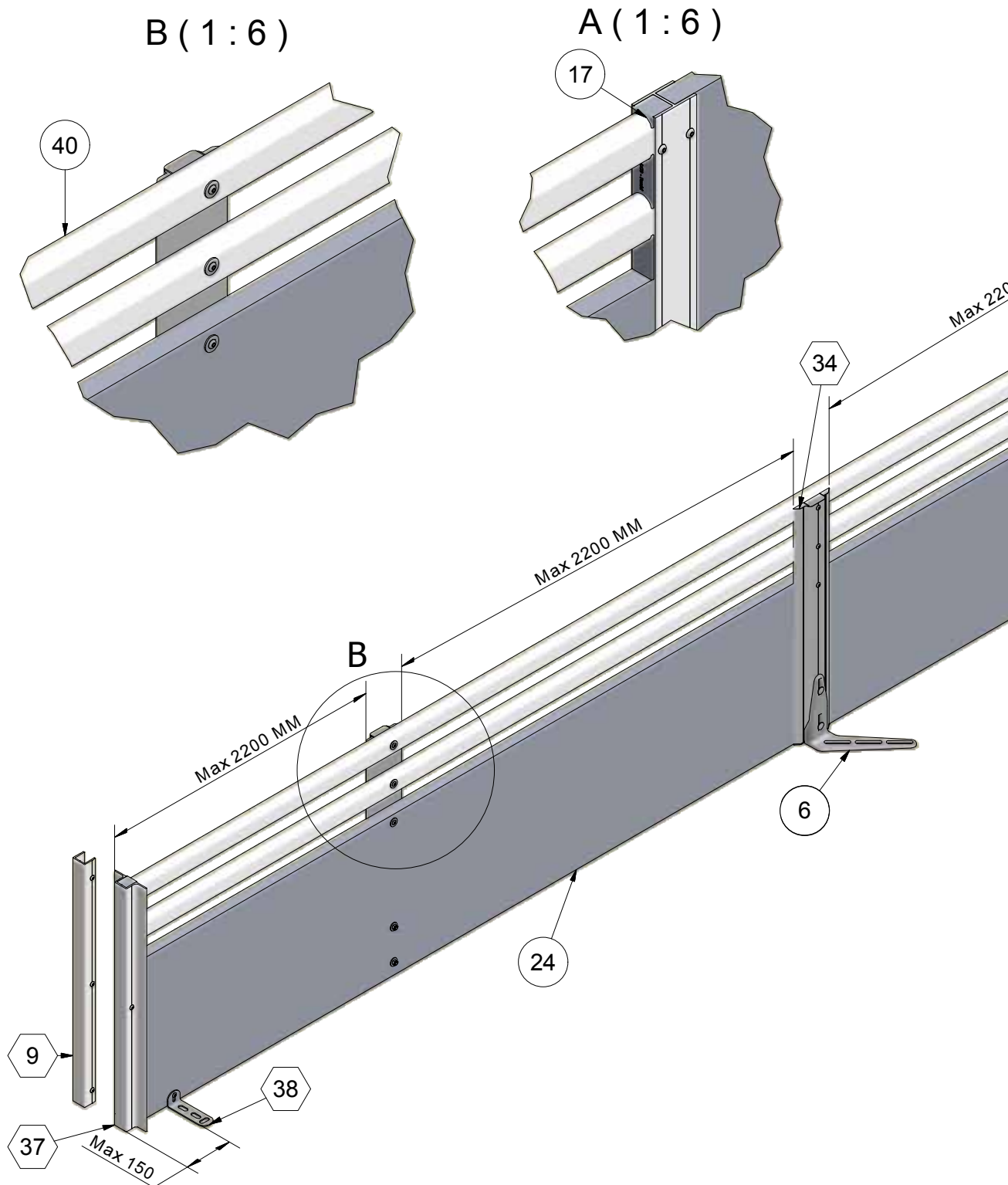
⬡ Sales Bom See the back of the mounting instruction

**M-6175-21**



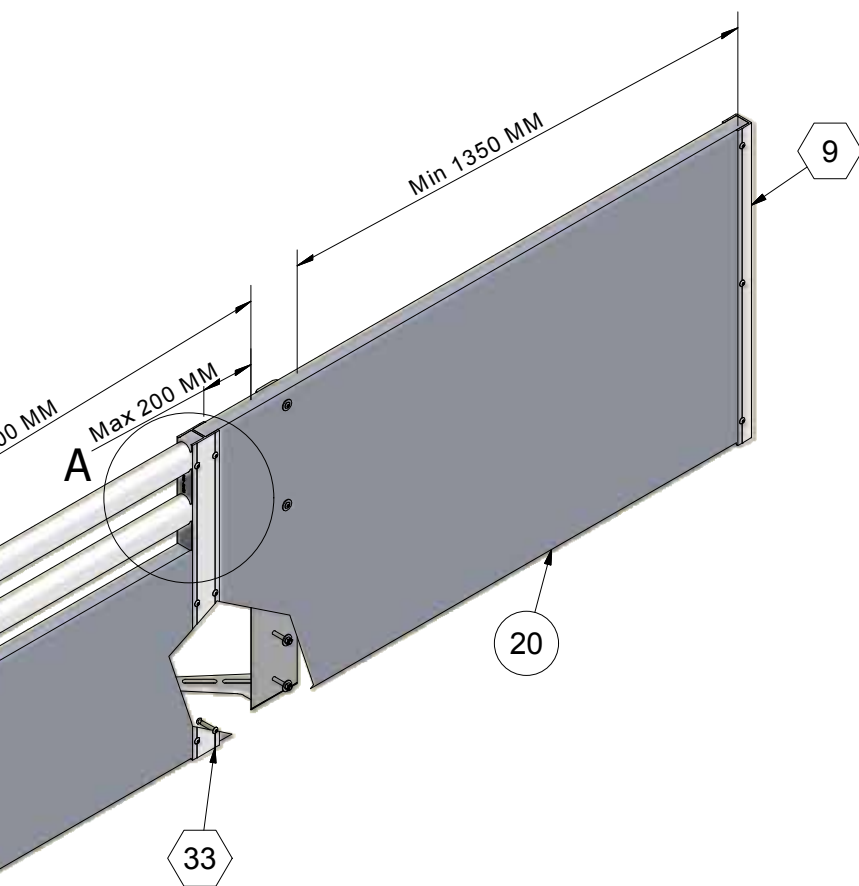
# ACO FUNKI

FF 750\_10



M-6175-22

# ACO FUNKI



| Item | QTY | Part No         | Description   |
|------|-----|-----------------|---|
| 6    | 3   | 4120120/4120121 | FOUNDATION PLATE GALVANISED                           |
| 9    | 2   | 3100312         | UPROFILE 755 MM                                       |
| 17   | 2   | 8500255         | INSERT FOR DOUBLE 70X35 MM BOARED                     |
| 20   | 1   | 30106           | BOARDPROFILE 35X750 MM LENGTH 6 METER                 |
| 24   | 1   | 30103           | BOARDPROFILE 35X500 MM LENGTH 6 METER                 |
| 33   | 1   | 3100500         | H-PROFILE 755 MM                                      |
| 34   | 3   | 3100063         | POST PROFILE FOR FOUNDATION PLATE                     |
| 37   | 1   | 3100310         | HATPROFILE 755 MM                                     |
| 38   | 1   | 4900700         | SUPPORT FOUNDATION PLATE                              |
| 40   | 2   | 9340350         | BOARD PROFILE 35X70 OVAL SPEC.LENGHT, PRICE PER METER |

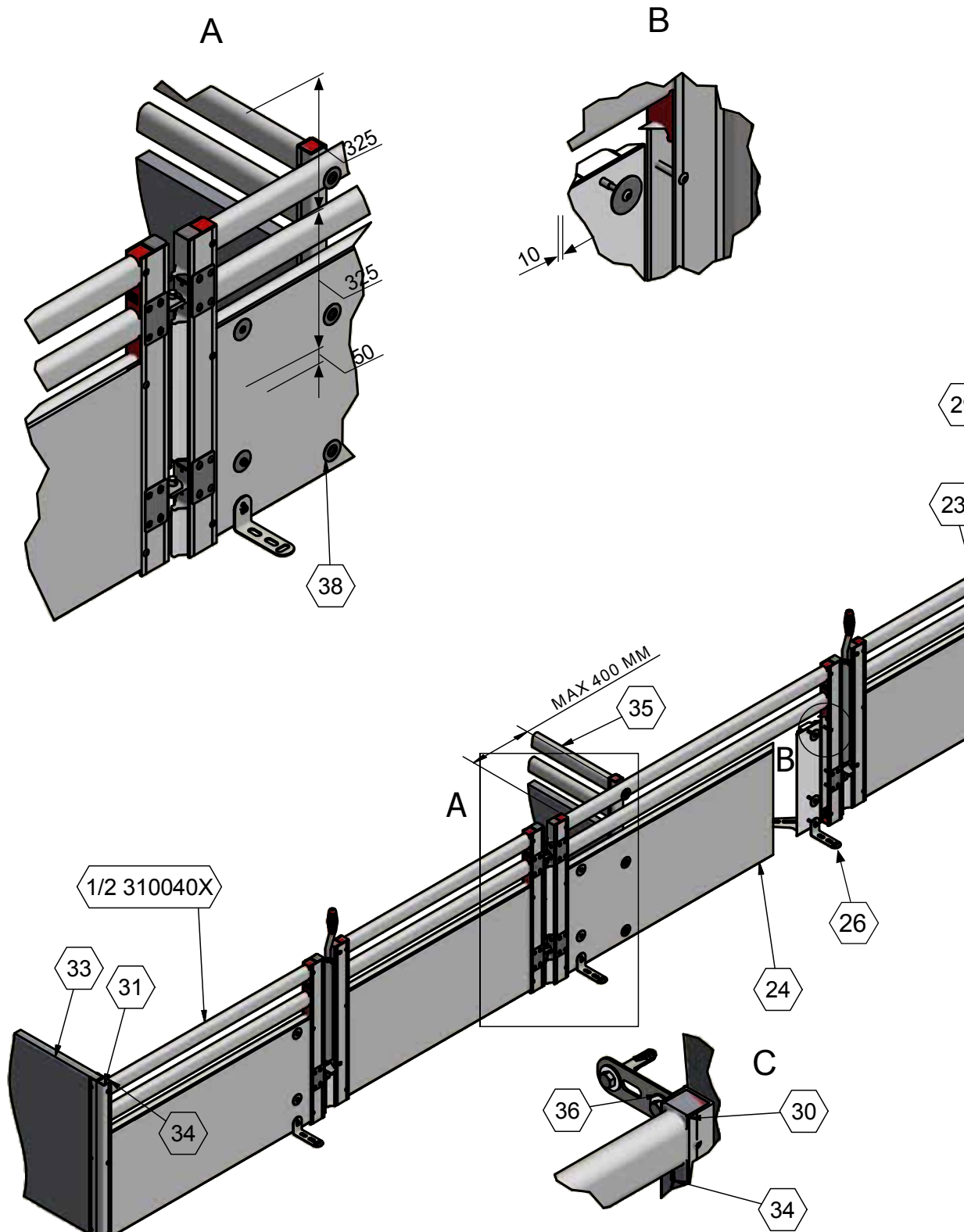
9 Sales Bom See the back of the mounting instruction

**M-6175-23**



# ACO FUNKI

FF 750\_20

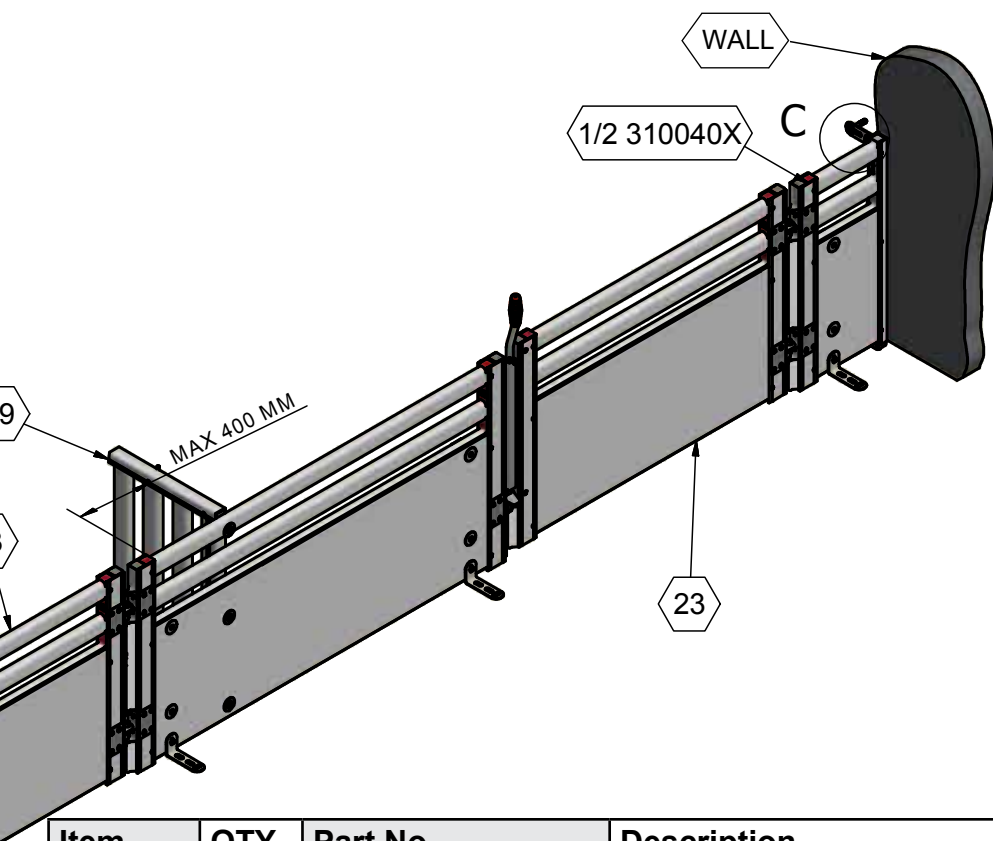


M-6175-24





# ACO FUNKI



| Item | QTY | Part No             | Description   |
|------|-----|---------------------|---|
| 23   | 3   | 3110399/3110400     | SUSPENDED DOOR VARIABLE 500-1700 MM                 |
| 24   | 2   | 3100401/402/403/404 | FRONT PARTITION 500-6000 MM SUSPENDED DOOR          |
| 26   | 3   | 4150123/4150122     | FOUNDATION PLATE RIGHT FOR PVC POST STAINLESS STEEL |
| 29   | 1   | FF 750_01*          | GRILLE WITH U-PROFILE CLOSED                        |
| 30   | 2   | 3100312             | UPROFILE 755 MM                                     |
| 31   | 1   | 3100489             | ANGEL PROFILE 755 MM                                |
| 33   | 1   | FF 750_02*          | BOARDPROFILE 35X750 MM LENGTH 6 METER               |
| 34   | 3   | 8500255             | INSERT FOR DOUBLE 70X35 MM BOARED                   |
| 35   | 1   | FF 750_04*          | BOARDPROFILE 35X500 MM LENGTH 6 METER               |
| 36   | 1   | 4900591             | MOUNTING KIT FOR WALL MOUNTING                      |
| 38   | 2   | 4900129             | BOLTKIT FOR WASHING WALL AND FRONT PARTITION        |

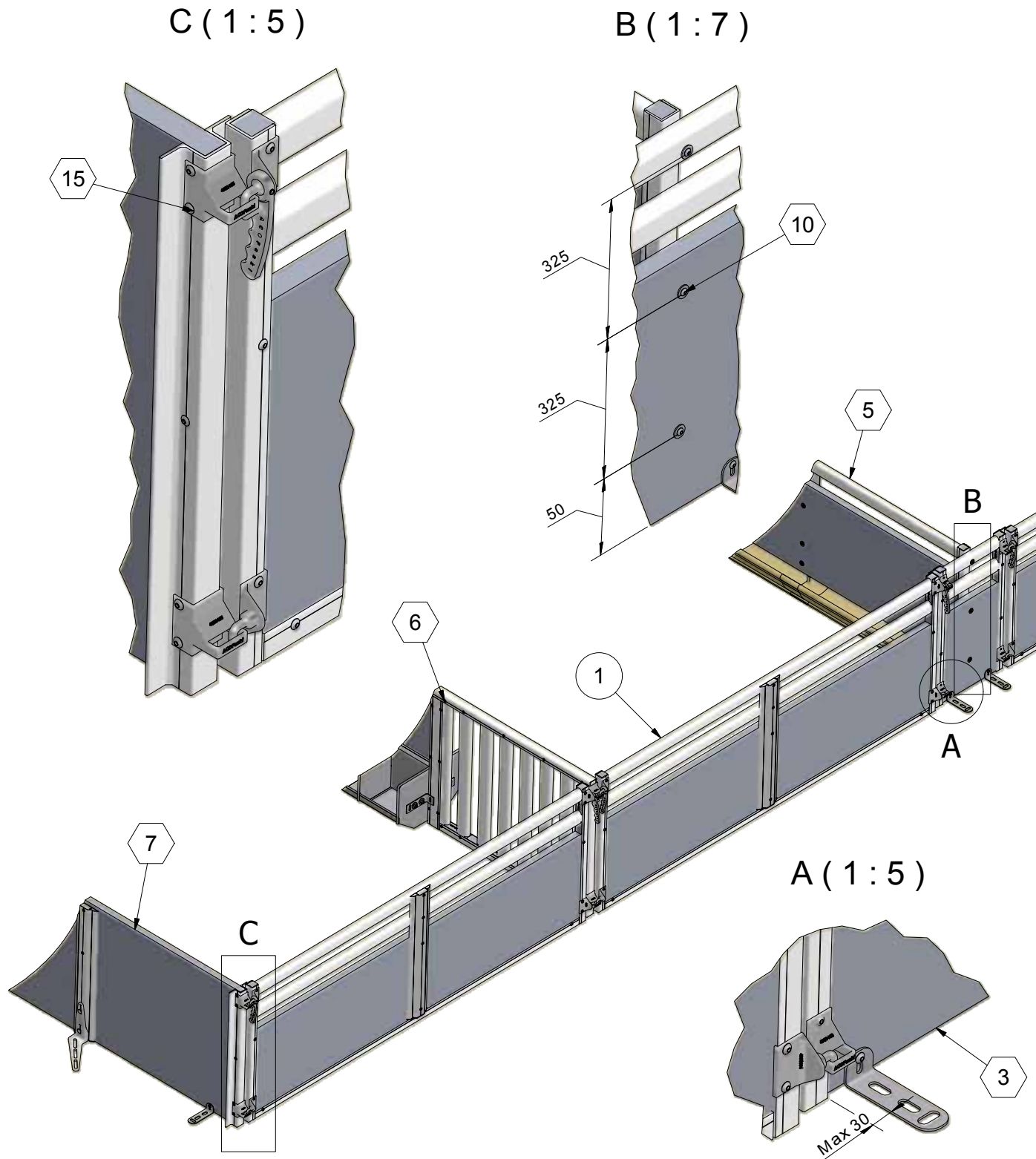
⬡ Sales Bom See the back of the mounting instruction

**M-6175-25**



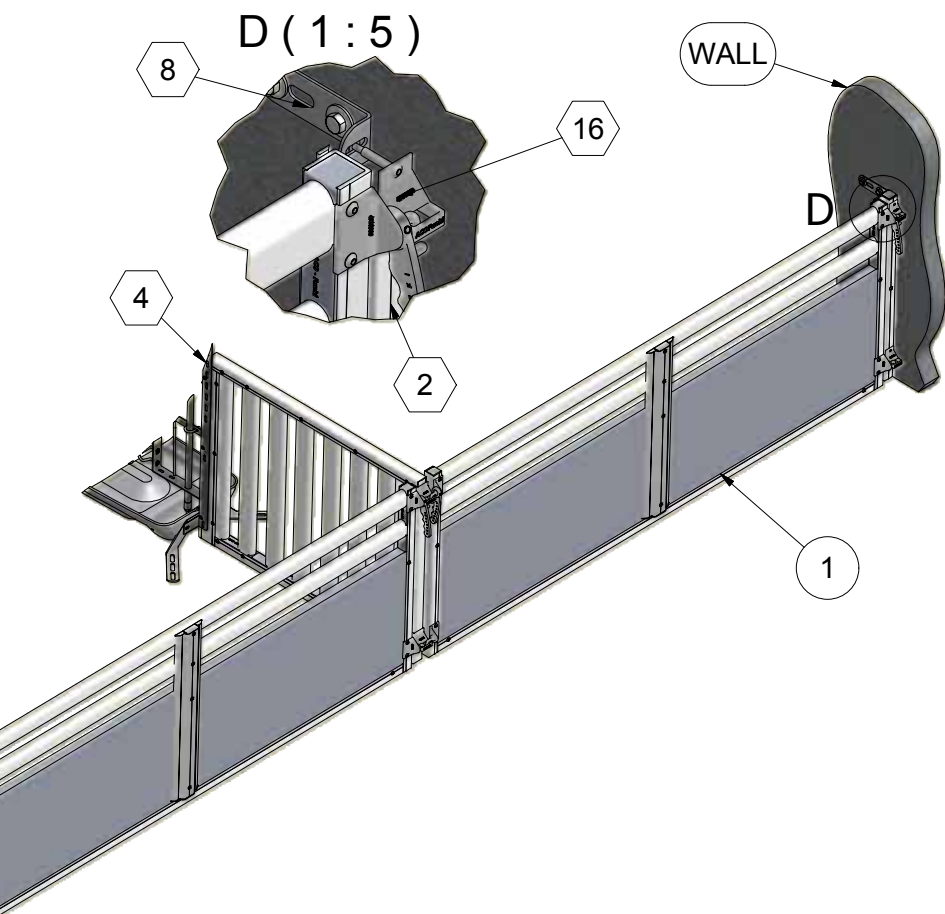
# ACO FUNKI

FF 750\_21



M-6175-26

# ACO FUNKI



| Item | QTY | Part No             | Description                                       |
|------|-----|---------------------|---|
| 1    | 4   | 3110234/233/232/231 | DOOR VARIABLE 500-2500 MM, STAINLESS STEEL HANDLE |
| ②    | 1   | 3100149             | WALL MOUNTING LEFT AND RIGHT                      |
| ③    | 1   | 3100041/042/043/044 | FRONT PARTITION 500-6000 MM                       |
| 4    | 1   | FF 750_01*          | GRILLE WITH U-PROFILE CLOSED                      |
| 5    | 1   | FF 750_05*          | PARTITION OVER TROUGH OPEN                        |
| 6    | 1   | FF 750_06*          | PARTITION WITH HATPROFILE OPEN                    |
| 7    | 1   | FF 750_08*          | PARTITION WITH HATPROFILE CLOSED                  |
| ⑧    | 1   | 4900591             | MOUNTING KIT FOR WALL MOUNTING                    |
| ⑩    | 1   | 4900129             | BOLTKIT FOR WASHING WALL AND FRONT PARTITION      |
| ⑮    | 3   | 4900851             | HINGER FOR HAT PROFILE STAINLESS                  |
| ⑯    | 2   | 4900850             | HINGER FOR FRONTPARTITION STAINLESS               |

⑥ Sales Bom See the back of the mounting instruction  
\*Ordered separately.

**M-6175-27**

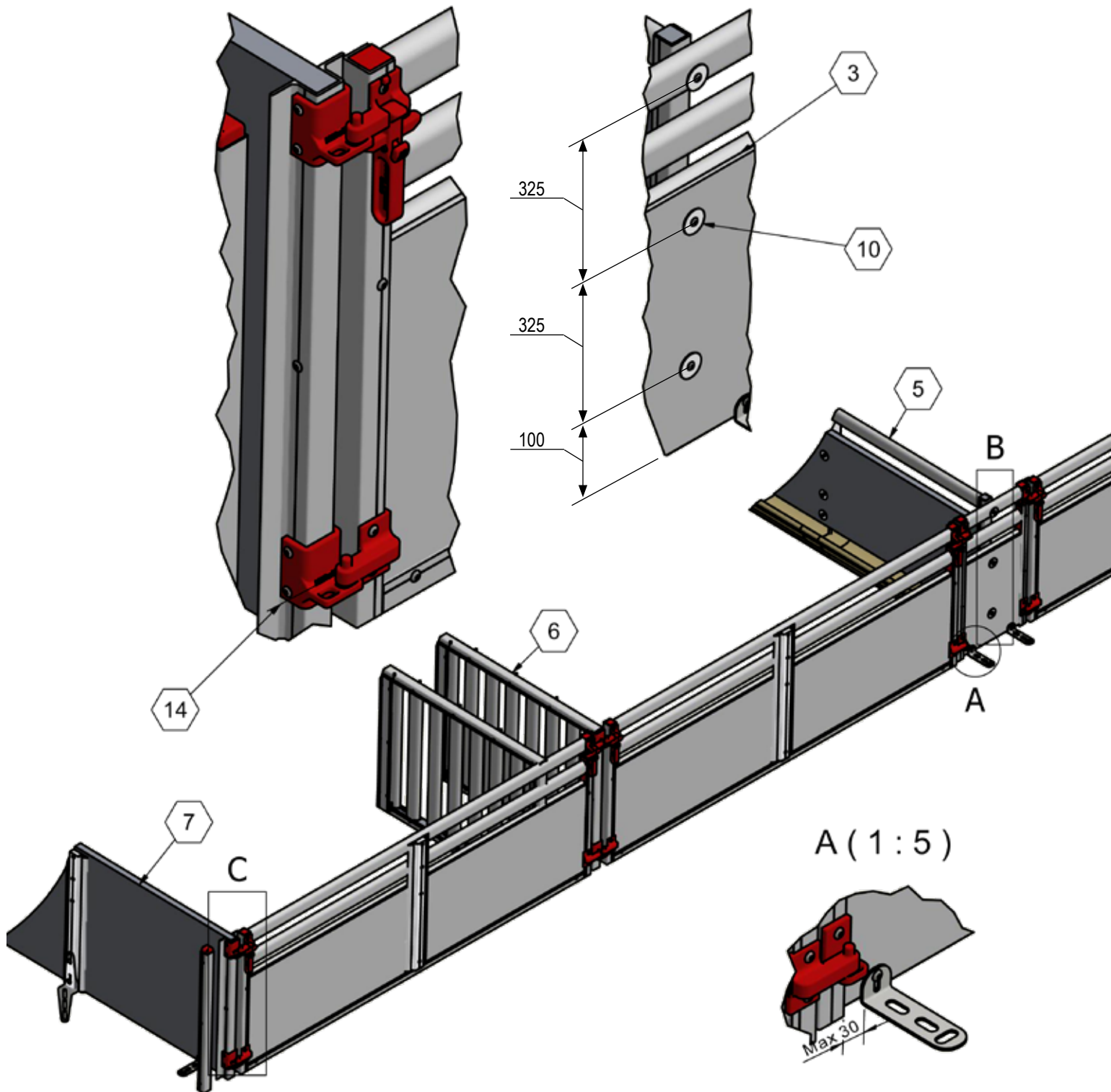


# ACO FUNKI

FF 750\_22

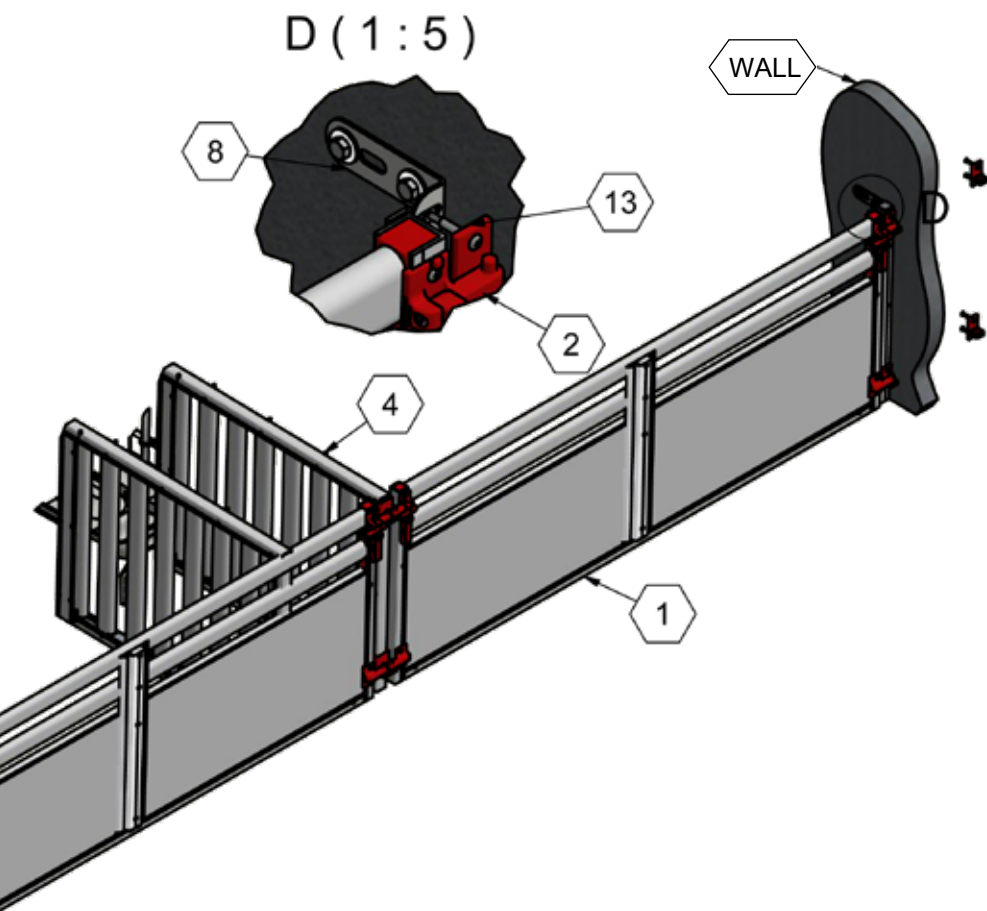
C (1:5)

B (1:7)



M-6175-28

# ACO FUNKI



| Item | QTY | Part No             | Description                                  |
|------|-----|---------------------|--|
| 1    | 4   | 3110134/133/132/131 | DOOR, VARAIBLE 500-2500 MM                   |
| ②    | 1   | 3100149             | WALL MOUNTING LEFT AND RIGHT                 |
| ③    | 1   | 3100041/042/043/044 | FRONT PARTITION 500-6000 MM                  |
| 4    | 1   | FF 750_01*          | GRILLE WITH U-PROFILE CLOSED                 |
| 5    | 1   | FF 750_05*          | PARTITION OVER TROUGH OPEN                   |
| 6    | 1   | FF 750_06*          | PARTITION WITH HATPROFILE OPEN               |
| 7    | 1   | FF 750_08*          | PARTITION WITH HATPROFILE CLOSED             |
| ⑧    | 1   | 4900591             | MOUNTING KIT FOR WALL MOUNTING               |
| ⑩    | 1   | 4900129             | BOLTKIT FOR WASHING WALL AND FRONT PARTITION |
| ⑬    | 2   | 4900800             | HINGER FOR FRONTPARTITION PVC                |
| ⑭    | 3   | 4900801             | HINGER FOR HATPROFILE                        |

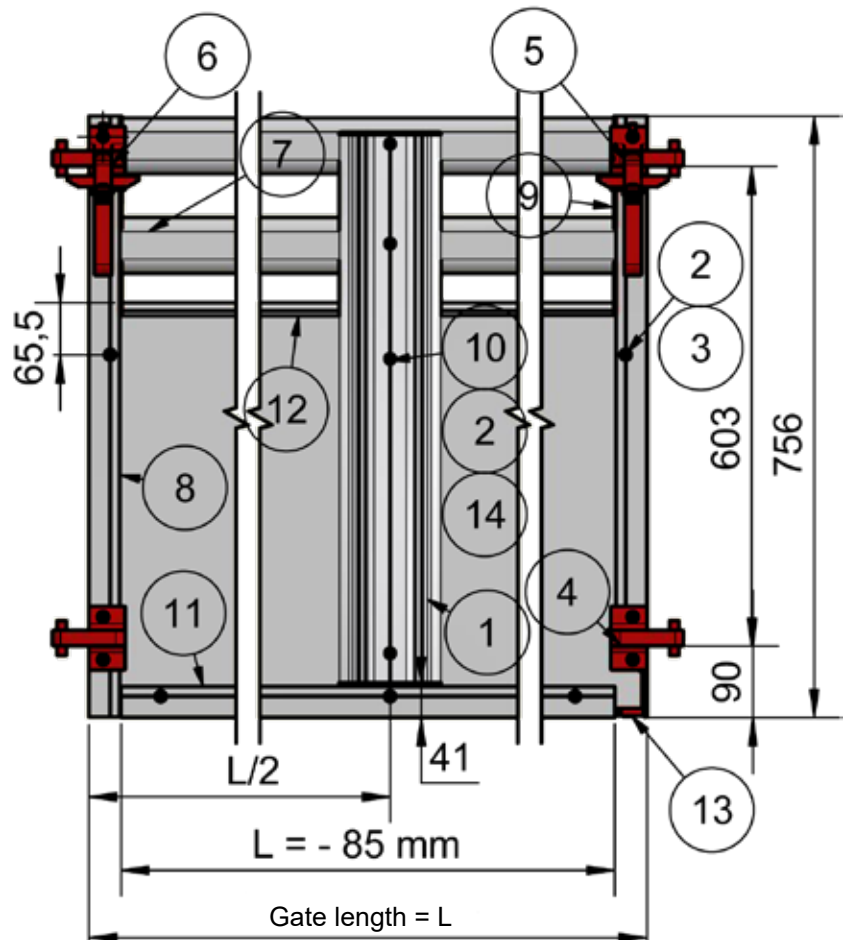
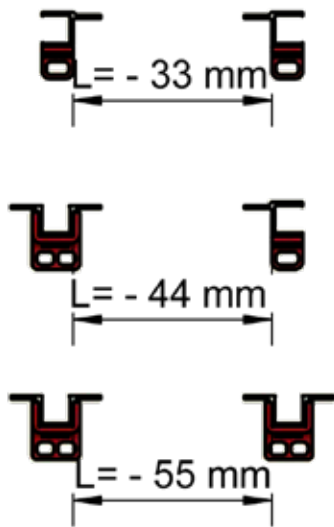
⑥ Sales Bom See the back of the mounting instruction  
\*Ordered separately.

**M-6175-29**



# ACO FUNKI

3110171/3110172/3110173/3110174 DOOR, VARIABLE LENGTH  
3100148 DOORKIT IN FULL PEN SIZE PVC



Max. Gate length L=2500 mm

Gates smaller than 1300 mm  
Dont use pos. 1, 10 and 14  
only use 13 pc of pos. 2.

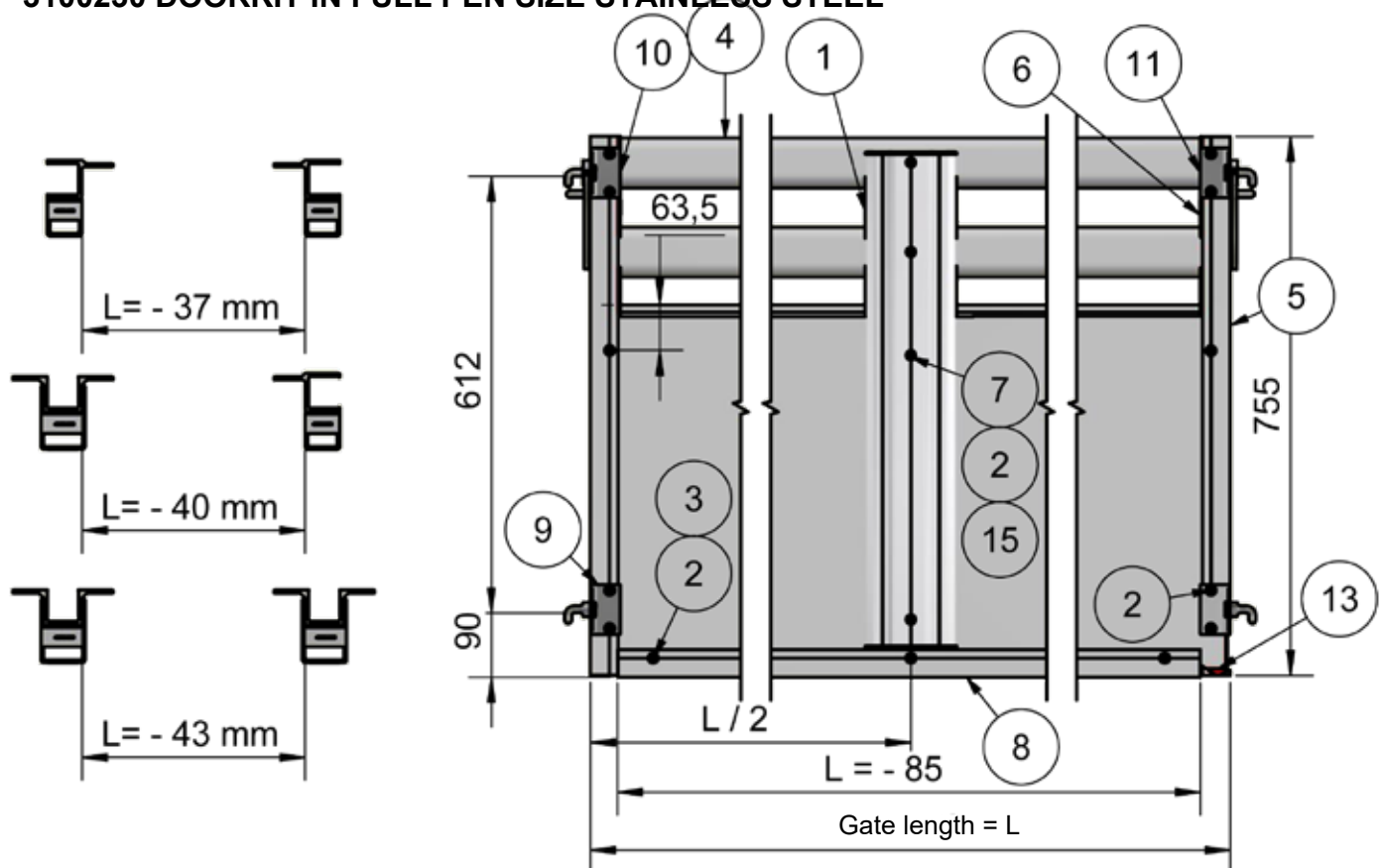
| Item | QTY | Part No  | Description  |
|------|-----|----------|--|
| 1    | 1   | 3110108  | SUPPORTING PROFILE, INCL 2 CAPS, 695 MM                                |
| 2    | 17  | 39206037 | SPLICING SLEEVE M6X37 STAINLESS TORX 30                                |
| 3    | 13  | 39106020 | CONNECTION SCREW M6X20 STAINLESS TORX 30                               |
| 4    | 2   | 8500153  | LOWER HINGE FOR GATE, VERSION II                                       |
| 5    | 1   | 4110163  | HANDLE FOR GATE VERSION II, RIGHT                                      |
| 6    | 1   | 4110164  | HANDLE FOR GATE VERSION II, LEFT                                       |
| 7    | 2   | 9340350  | BOARD PROFILE 70X35 OVAL SPEC.LENGTH, PRICE PER METER <b>L - 18 MM</b> |
| 8    | 2   | 8500130  | U-PROFILE PVC 755 MM   |
| 9    | 2   | 8500255  | INSERT FOR DOUBLE 70X35 MM BOARED                                      |
| 10   | 4   | 39106040 | CONNECTION SCREW M6X40 STAINLESS STEEL                                 |
| 11   | 1   | 9340358  | U-PROFILE PVC 6,5 M, PRICE PR.METER <b>L - 85 MM</b>                   |
| 12   | 1   | 30102    | BOARDPROFILE 35X500 MM SPEC. LENGTH PRICE PER METER <b>L - 18 MM</b>   |
| 13   | 2   | 30013    | PLUG PANEL BOTTOM 50 CM/75 CM BOARDPROFILE                             |
| 14   | 4   | 20037    | MASTER CLAMP WASHER Ø10,5/45 1,5 A2                                    |

**M-6175-30**



# ACO FUNKI

## 3110271/3110272/3110273/3110274 DOOR, VARIABLE LENGTH STAINLESS STEELHANDLEL 3100230 DOORKIT IN FULL PEN SIZE STAINLESS STEEL



Max. Gate length L=2500 mm

Gates smaller than 1300 mm  
Dont use pos. 1, 7 and 15  
only use 13 pc of pos. 2.

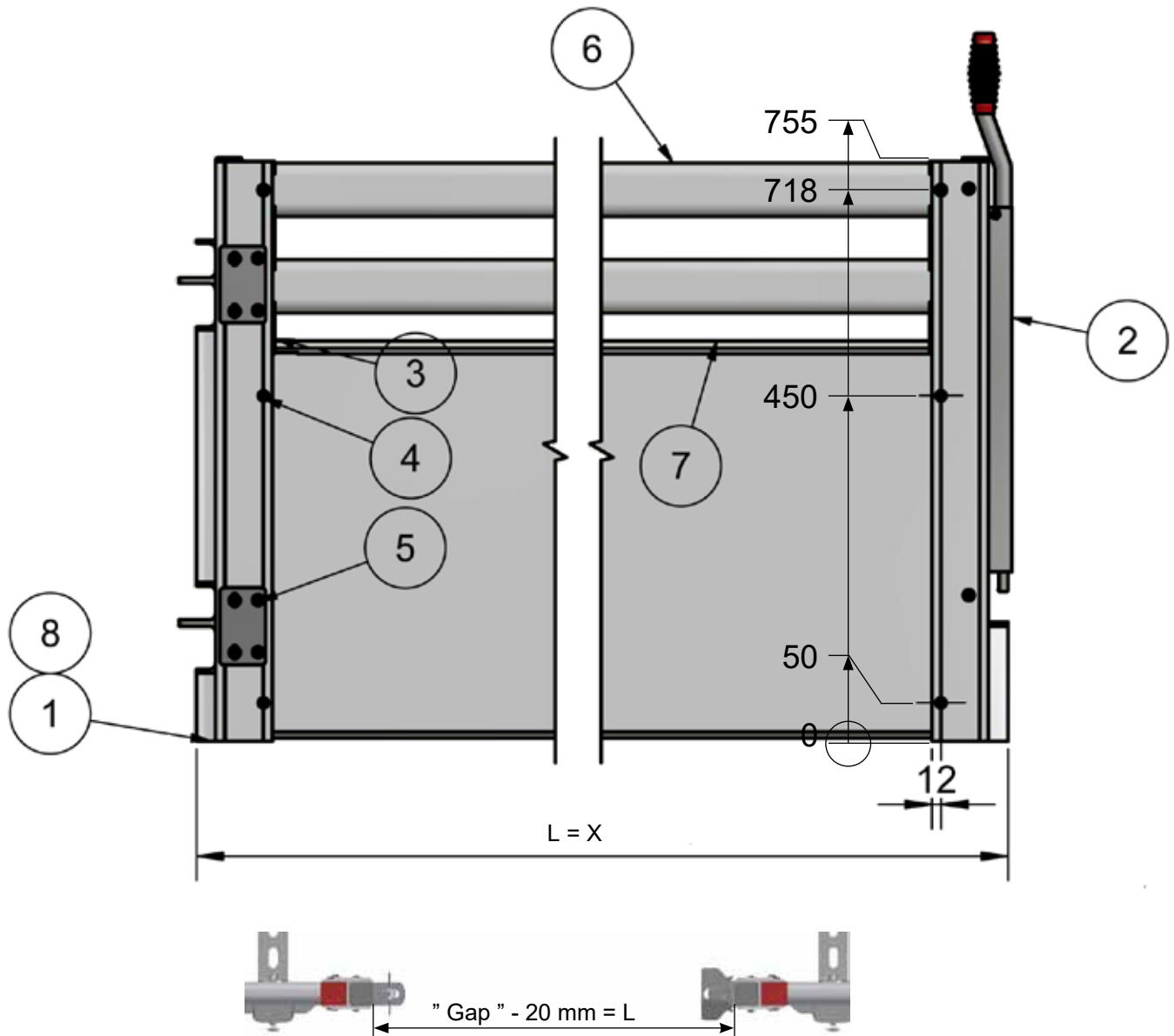
| Item | QTY | Part No  | Description   |
|------|-----|----------|---|
| 1    | 1   | 3110108  | SUPPORTING PROFILE, INCL 2 CAPS, 695 MM                         |
| 2    | 17  | 39206037 | SPLICING SLEEVE M6X37 STAINLESS TORX 30                         |
| 3    | 13  | 39106020 | CONNECTION SCREW M6X20 STAINLESS TORX 30                        |
| 4    | 2   | 9340350  | BOARD PROFILE 70X35 OVAL SPEC.LENGTH, PRICE PER METER L - 18 MM |
| 5    | 2   | 8500130  | U-PROFILE PVC 755 MM  |
| 6    | 2   | 8500255  | INSERT FOR DOUBLE 70X35 MM BOARED                               |
| 7    | 4   | 39106040 | CONNECTION SCREW M6X40 STAINLESS STEEL                          |
| 8    | 1   | 9340358  | U-PROFILE PVC 6,5 M, PRICE PR.METER L - 85 MM                   |
| 9    | 1   | 4950887  | LOWER HINGER FOR GATE STAINLESS STEEL LEFT                      |
| 10   | 1   | 4910889  | HANDLE STAINLESS STEEL LEFT                                     |
| 11   | 1   | 4910900  | HANDLE STAINLESS STEEL RIGHT                                    |
| 12   | 1   | 4950884  | LOWER HINGER FOR GATE STAINLESS STEEL RIGHT                     |
| 13   | 2   | 30013    | PLUG PANEL BOTTOM 50 CM/75 CM BOARDPROFILE                      |
| 14   | 1   | 30102    | BOARDPROFILE 35X500 MM SPEC. LENGTH PRICE PER METER L - 18 MM   |
| 15   | 4   | 20037    | MASTER CLAMP WASHER Ø10,5/45 1,5 A2                             |

**M-6175-31**



# ACO FUNKI

## Suspended door with pvc handel



3110400 SUSPENDED DOOR 1200 MM - 3110399 SUSPENDED DOOR VARIABLE 500-1700 MM

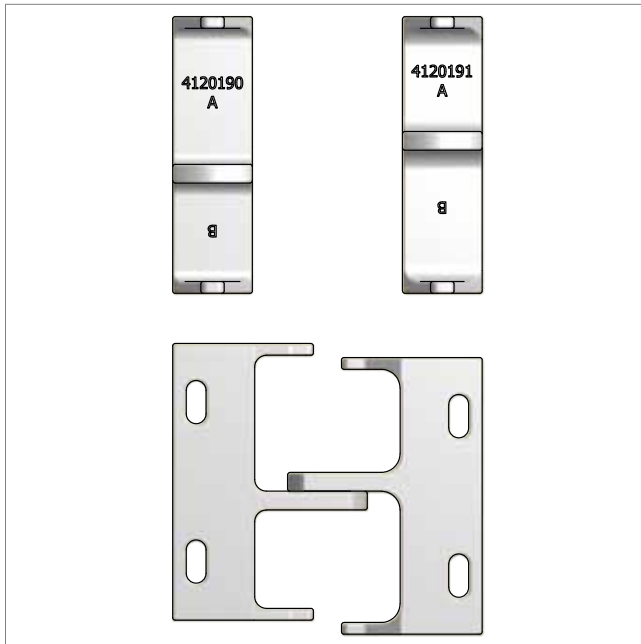
| Item | QTY | Part No  | Description   |
|------|-----|----------|---|
| 1    | 1   | 3110392  | POST FOR GATE HANGER SIDE                                     |
| 2    | 1   | 3110391  | POST FOR GATE PIN SIDE  |
| 3    | 2   | 8500255  | INSERT FOR DOUBLE 70X35 MM BOARED                             |
| 4    | 10  | 39106020 | CONNECTION SCREW M6X20 STAINLESS TORX 30                      |
| 5    | 10  | 39206037 | SPLICING SLEEVE M6X37 STAINLESS TORX 30                       |
| 6    | 6   | 9340350  | BOARD PROFILE 70X35 OVAL SPEC.LENGTH, PRICE PER METER L - 128 |
| 7    | 1   | 30102    | BOARDPROFILE 35X500 MM SPEC. LENGTH PRICE PER METER L - 128   |
| 8    | 2   | 30013    | PLUG PANEL BOTTOM 50 CM/75 CM BOARDPROFILE                    |

**M-6175-32**

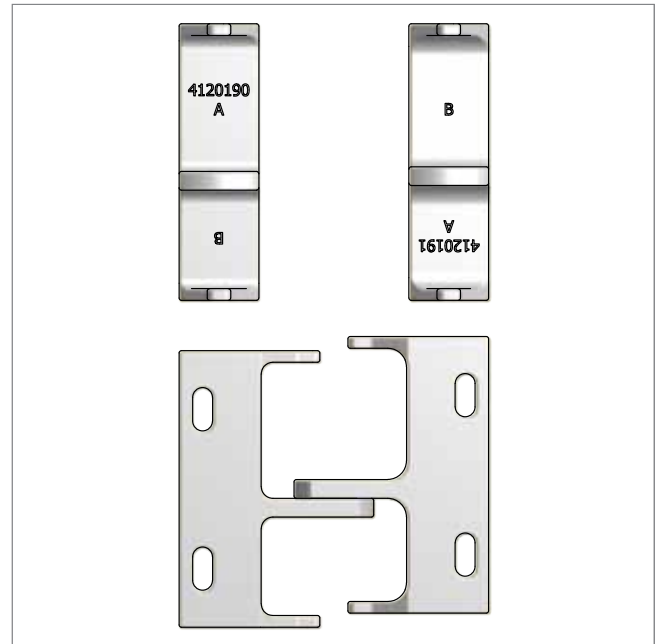




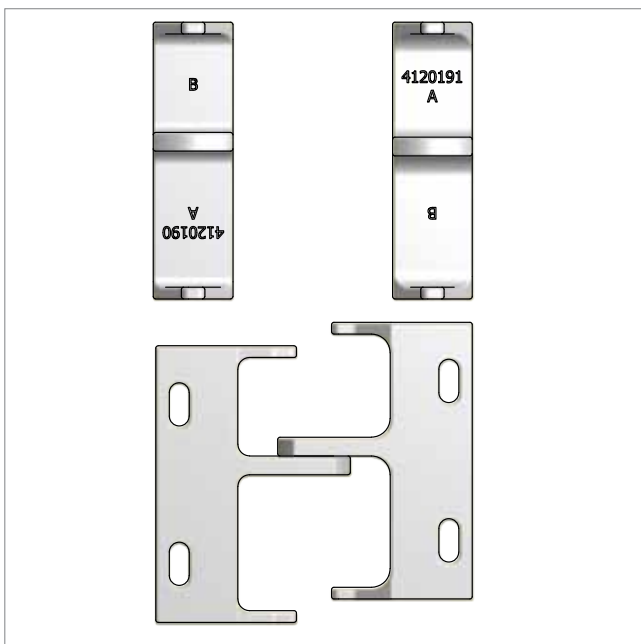
## Hinger position



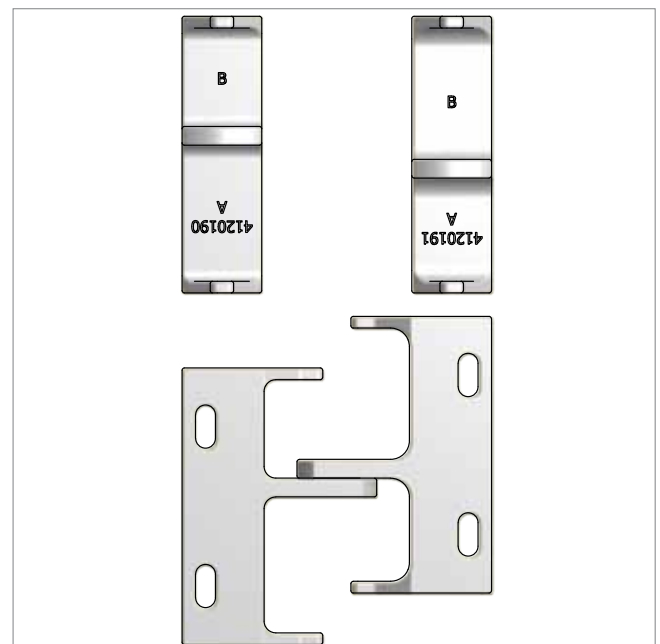
A. Standard hanging position  
15 mm gap under the door.



B. Hanging position  
27 mm gap under the door.



C. Hanging position  
31 mm gap under the door.



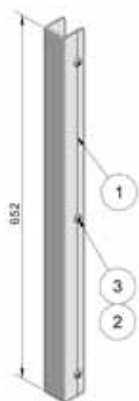
D. Hanging position  
43 mm gap under the door.

If you are installing bottom rail 4120162.

When using door 4110399-4110400 hinges pos. must be C or D.

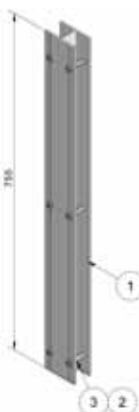
# ACO FUNKI

## Sales Bom



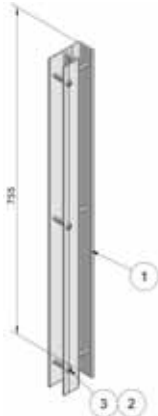
3100311 UPROFIL 652 MM INCL. CONNECTING SCREW

| Item | QTY | Part No  | Description                      |
|------|-----|----------|----------------------------------|
| 1    | 1   | 8500143  | U-PROFILE PVC 652 MM             |
| 2    | 3   | 39106020 | CONNECTION SCREW M6X20 STAINLESS |
| 3    | 3   | 39206037 | SPLICING SLEEVE M6X37 STAINLESS  |



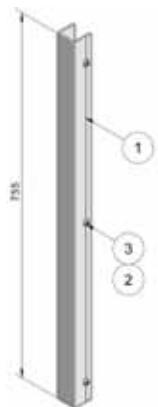
3100500 H-PROFILE 755 MM INCL. CONNECTING SCREW

| Item | QTY | Part No  | Description                      |
|------|-----|----------|----------------------------------|
| 1    | 1   | 8500065  | H-PROFILE PVC 755 MM             |
| 2    | 6   | 39106020 | CONNECTION SCREW M6X20 STAINLESS |
| 3    | 6   | 39206037 | SPLICING SLEEVE M6X37 STAINLESS  |



3100489 ANGEL PROFILE 755 MM INCL. CONNECTING SCREW

| Item | QTY | Part No  | Description                      |
|------|-----|----------|----------------------------------|
| 1    | 1   | 3110489  | DOUBELT UPROFILE ANGEL 755 MM    |
| 2    | 6   | 39106020 | CONNECTION SCREW M6X20 STAINLESS |
| 3    | 6   | 39206037 | SPLICING SLEEVE M6X37 STAINLESS  |

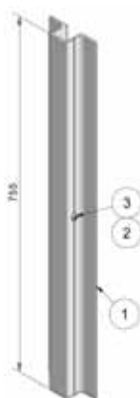


3100312 UPROFILE 755 MM INCL. CONNECTING SCREW

| Item | QTY | Part No  | Description                      |
|------|-----|----------|----------------------------------|
| 1    | 1   | 8500130  | U-PROFILE PVC 755 MM             |
| 2    | 3   | 39106020 | CONNECTION SCREW M6X20 STAINLESS |
| 3    | 3   | 39206037 | SPLICING SLEEVE M6X37 STAINLESS  |

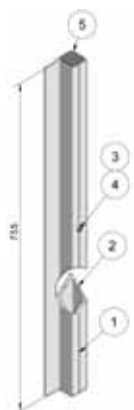
# ACO FUNKI

## Sales Bom



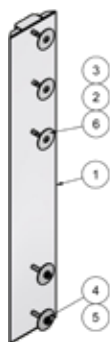
3100310 HATPROFILE 755 MM

| Item | QTY | Part No  | Description                      |
|------|-----|----------|----------------------------------|
| 1    | 1   | 8500063  | HATPROFILE PVC 755 CM            |
| 2    | 3   | 39106020 | CONNECTION SCREW M6X20 STAINLESS |
| 3    | 3   | 39206037 | SPLICING SLEEVE M6X37 STAINLESS  |



3100149 WALL MOUNTING LEFT AND RIGHT

| Item | QTY | Part No  | Description                      |
|------|-----|----------|----------------------------------|
| 1    | 1   | 8500062  | Y-PROFILE PVC 755 CM             |
| 2    | 1   | 8500095  | 35X35 PROFILE PVC 755 MM         |
| 3    | 1   | 39106020 | CONNECTION SCREW M6X20 STAINLESS |
| 4    | 1   | 39206037 | SPLICING SLEEVE M6X37 STAINLESS  |
| 5    | 2   | 9960009  | CAP 35 X 35 X 2                  |



3100063 POST PROFILE FOR FOUNDATION PLATE

| Item | QTY | Part No  | Description                             |
|------|-----|----------|---|
| 1    | 1   | 3110063  | POST PROFILE WITH 2 CAPS                |
| 2    | 3   | 39206037 | SPLICING SLEEVE M6X37 STAINLESS TORX 30 |
| 3    | 3   | 39106040 | CONNECTION SCREW M6X40 STAINLESS STEEL  |
| 4    | 5   | 20037    | MASTER CLAMP WASHER Ø10,5/45 1,5 A2     |
| 5    | 2   | 33908001 | LOCK NUT M8 A2 DIN 985                  |
| 6    | 2   | 36308080 | MUSHROOMHEADED BOLT M8X80 A2 DIN 603    |

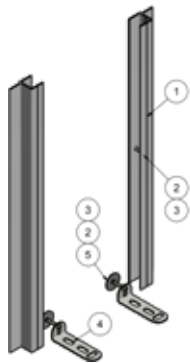


3100591 POST FOR STABILISATOR

| Item | QTY | Part No  | Description                            |
|------|-----|----------|--|
| 1    | 1   | 3110063  | POST PROFILE WITH 2 CAPS               |
| 2    | 4   | 39206037 | SPLICING SLEEVE M6X37 STAINLESS        |
| 3    | 4   | 39106040 | CONNECTION SCREW M6X40 STAINLESS STEEL |
| 4    | 4   | 20037    | MASTER CLAMP WASHER Ø10,5/45 1,5 A2    |

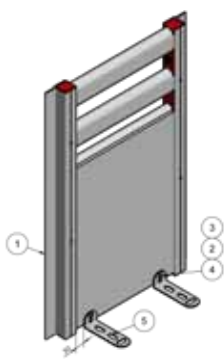
# ACO FUNKI

## Sales Bom



### 3100040 FRONT PARTITION KIT

| Item | QTY | Part No  | Description                         |
|------|-----|----------|-------------------------------------|
| 2    | 2   | 8500062  | Y-PROFILE PVC 755 CM                |
| 3    | 4   | 39106020 | CONNECTION SCREW M6X20 STAINLESS    |
| 4    | 4   | 39206037 | SPLICING SLEEVE M6X37 STAINLESS     |
| 5    | 2   | 4950955  | FLOOR ANGLE 133X44X39 MM A2         |
| 6    | 2   | 20037    | MASTER CLAMP WASHER Ø10,5/45 1,5 A2 |



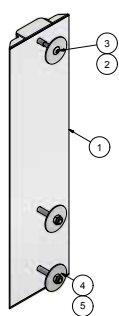
### 3100041/042/043/044 FRONT PARTITION

| Item | QTY | Part No  | Description                         |
|------|-----|----------|-------------------------------------|
| 1    | 1   | 3110041  | FRONT PARTITION 500-1200 MM         |
|      |     | 3110042  | FRONT PARTITION 1200-2000 MM        |
|      |     | 3110043  | FRONT PARTITION 2000-3000 MM        |
|      |     | 3110044  | FRONT PARTITION 3000-6000 MM        |
| 2    | 2   | 20037    | MASTER CLAMP WASHER Ø10,5/45 1,5 A2 |
| 3    | 2   | 39106020 | CONNECTION SCREW M6X20 STAINLESS    |
| 4    | 2   | 39206037 | SPLICING SLEEVE M6X37 STAINLESS     |
| 5    | 2   | 4950955  | FLOOR ANGLE 133X44X39 MM A2         |



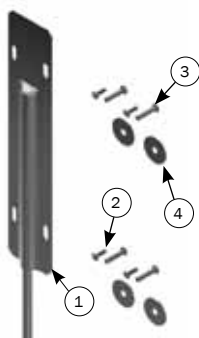
### 3100401/402/403/404 FRONT PARTITION 500-1200 MM SUSPENDED DOOR

| Item | QTY | Part No | Description                        |
|------|-----|---------|------------------------------------|
| 2    | 1   | 3110401 | FRONT PARTITION 500-1200 MM        |
|      |     | 3110402 | FRONT PARTITION 1200-2000 MM       |
|      |     | 3110403 | FRONT PARTITION 2000-3000 MM       |
|      |     | 3110404 | FRONT PARTITION 3000-6000 MM       |
| 3    | 2   | 4950644 | FLOOR ANGLE 133X44X70 MM A2 HIGH   |
| 11   | 2   | 3100531 | POST PROFILE EXCL. FOUNDATIONPLATE |



### 3100531 POST PROFILE EXCL. FOUNDATIONPLATE

| Item | QTY | Part No  | Description                                |
|------|-----|----------|--|
| 1    | 1   | 3110531  | POST PROFILE 487 MM EXCL. FOUNDATION PLATE |
| 2    | 3   | 39206037 | SPLICING SLEEVE M6X37 STAINLESS            |
| 3    | 3   | 39106040 | CONNECTION SCREW M6X40 STAINLESS STEEL     |
| 4    | 5   | 20037    | MASTER CLAMP WASHER Ø10,5/45 1,5 A2        |
| 5    | 2   | 33908001 | LOCK NUT M8 A2 DIN 985                     |
| 6    | 2   | 36308080 | MUSHROOMHEADED BOLT M8X80 A2               |



### 36254 STAINLESS STEEL DORN FOR LIQUID WALL MOUNTING KIT

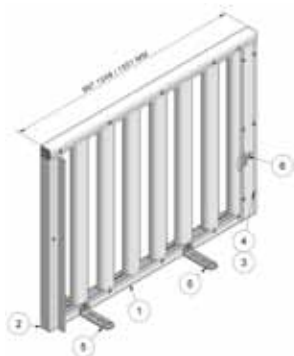
| Item | QTY | Part No  | Description                              |
|------|-----|----------|--|
| 1    | 1   | 36279    | STAINLESS STEEL DORN FOR LIQUID WALL     |
| 2    | 4   | 39106020 | CONNECTION SCREW M6X20 STAINLESS TORX 30 |
| 3    | 4   | 39206037 | SPLICING SLEEVE M6X37 STAINLESS TORX 30  |
| 4    | 4   | 20037    | MASTER CLAMP WASHER Ø10,5/45 1,5 A2      |

**M-6175-36**



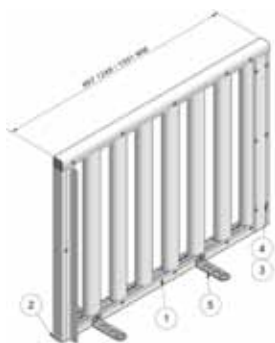
## Sales Bom

### 3100700/701/702 CONTACT GRILLE WITH HAT PROFILE CLOSED



| Item | QTY | Part No  | Description                      |
|------|-----|----------|----------------------------------|
| 1    | 1   | 3110700  | CONTACTGRILLE H:750 L:997        |
|      |     | 3110701  | CONTACTGRILLE H:750 L:1249       |
|      |     | 3110702  | CONTACTGRILLE H:750 L:1501       |
| 2    | 1   | 8500060  | HATPROFILE PVC 717 MM FOR GRILLE |
| 3    | 6   | 39106020 | CONNECTION SCREW M6X20 STAINLESS |
| 4    | 6   | 39206037 | SPLICING SLEEVE M6X37 STAINLESS  |
| 5    | 3   | 4950955  | FLOOR ANGLE 133X44X39 MM A2      |
| 6    | 1   | 8500095  | 35X35 PROFILE PVC 755 MM         |

### 3100710/711/712 CONTACT GRILLE WITH HAT PROFILE OPEN



| Item | QTY | Part No  | Description                      |
|------|-----|----------|----------------------------------|
| 1    | 1   | 3110700  | CONTACTGRILLE H:750 L:997        |
|      |     | 3110701  | CONTACTGRILLE H:750 L:1249       |
|      |     | 3110702  | CONTACTGRILLE H:750 L:1501       |
| 2    | 1   | 8500060  | HATPROFILE PVC 717 MM FOR GRILLE |
| 3    | 6   | 39106020 | CONNECTION SCREW M6X20 STAINLESS |
| 4    | 6   | 39206037 | SPLICING SLEEVE M6X37 STAINLESS  |
| 5    | 3   | 4950955  | FLOOR ANGLE 133X44X39 MM A2      |

### 3100720/721/722 CONTACT GRILLE WITH HAT PROFILE OPEN



| Item | QTY | Part No  | Description                      |
|------|-----|----------|----------------------------------|
| 1    | 1   | 3110700  | CONTACTGRILLE H:750 L:997        |
|      |     | 3110701  | CONTACTGRILLE H:750 L:1249       |
|      |     | 3110702  | CONTACTGRILLE H:750 L:1501       |
| 2    | 1   | 8500061  | U-PROFILE PVC 717 MM FOR GRILLE  |
| 3    | 7   | 39106020 | CONNECTION SCREW M6X20 STAINLESS |
| 4    | 7   | 39206037 | SPLICING SLEEVE M6X37 STAINLESS  |
| 5    | 1   | 4950955  | FLOOR ANGLE 133X44X39 MM A2      |

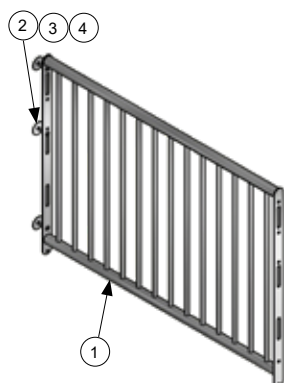
### 3100730/731/732 CONTACT GRILLE WITH U-PROFILE CLOSED



| Item | QTY | Part No  | Description                      |
|------|-----|----------|----------------------------------|
| 1    | 1   | 3110700  | CONTACTGRILLE H:750 L:997        |
|      |     | 3110701  | CONTACTGRILLE H:750 L:1249       |
|      |     | 3110702  | CONTACTGRILLE H:750 L:1501       |
| 2    | 1   | 8500061  | U-PROFILE PVC 717 MM FOR GRILLE  |
| 3    | 7   | 39106020 | CONNECTION SCREW M6X20 STAINLESS |
| 4    | 7   | 39206037 | SPLICING SLEEVE M6X37 STAINLESS  |
| 5    | 1   | 4950955  | FLOOR ANGLE 133X44X39 MM A2      |
| 6    | 1   | 8500095  | 35X35 PROFILE PVC 755 MM         |

# ACO FUNKI

## Sales Bom



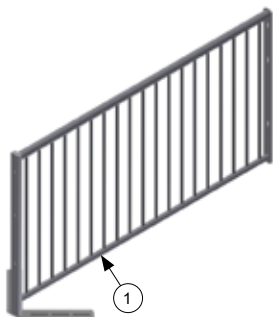
3100873/874/875 STAINLESS STEEL CONTACTGRILLE WITH SCREW

| Item | QTY | Part No  | Description                                |
|------|-----|----------|--|
| 1    | 1   | 3150873  | STAINLESS STEEL CONTACTGRILLE H:750 L:1000 |
|      |     | 3150874  | STAINLESS STEEL CONTACTGRILLE H:750 L:1220 |
|      |     | 3150875  | STAINLESS STEEL CONTACTGRILLE H:750 L:1500 |
| 2    | 3   | 39106020 | CONNECTION SCREW M6X20 STAINLESS TORX 30   |
| 3    | 3   | 39206037 | SPLICING SLEEVE M6X37 STAINLESS TORX 30    |
| 4    | 3   | 20037    | MASTER CLAMP WASHER Ø10,5/45 1,5 A2        |

3110873/874/875 STAINLESS STEEL CONTACTGRILLE WITH FOUNDATIONPLATE



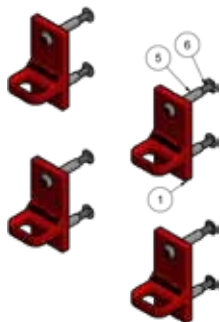
| Item | QTY | Part No  | Description                                |
|------|-----|----------|--|
| 1    | 1   | 3150873  | STAINLESS STEEL CONTACTGRILLE H:750 L:1000 |
|      |     | 3150874  | STAINLESS STEEL CONTACTGRILLE H:750 L:1220 |
|      |     | 3150875  | STAINLESS STEEL CONTACTGRILLE H:750 L:1500 |
| 2    | 1   | 8500515  | 35 X 35 PROFILE 695 MM                     |
| 3    | 1   | 8500063  | HATPROFILE PVC 755 CM                      |
| 4    | 1   | 9960009  | CAP 35 X 35 X 2                            |
| 5    | 3   | 39106020 | CONNECTION SCREW M6X20 STAINLESS TORX 30   |
| 6    | 3   | 39206037 | SPLICING SLEEVE M6X37 STAINLESS TORX 30    |
| 7    | 1   | 4950533  | FOUNDATION FOR STAINLESS STEEL GRILLE      |



3120537 GRILLE OVER SLATTS, L=1350 MM

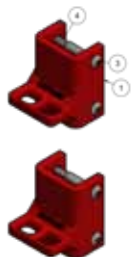
| Item | QTY | Part No | Description                   |
|------|-----|---------|-------------------------------|
| 1    | 1   | 3120537 | GRILLE OVER SLATTS, L=1350 MM |

## Sales Bom



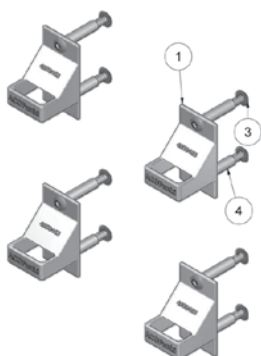
4900800 HINGER FOR FRONTPARTITION PVC

| Item | QTY | Part No  | Description                      |
|------|-----|----------|----------------------------------|
| 1    | 4   | 8500275  | HINGER FOR FRONTPARTITION PVC    |
| 5    | 8   | 39206037 | SPLICING SLEEVE M6X37 STAINLESS  |
| 6    | 8   | 39106030 | CONNECTION SCREW M6X30 STAINLESS |



4900801 HINGER FOR HATPROFILE PVC

| Item | QTY | Part No  | Description                      |
|------|-----|----------|----------------------------------|
| 1    | 2   | 8500271  | HINGER FOR HATPROFILE PVC        |
| 3    | 4   | 39206037 | SPLICING SLEEVE M6X37 STAINLESS  |
| 4    | 4   | 39106030 | CONNECTION SCREW M6X30 STAINLESS |



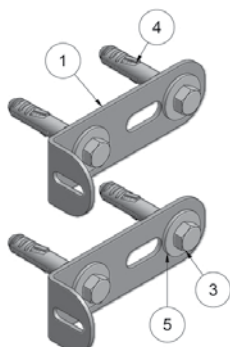
4900850 HINGER FOR FRONTPARTITION STAINLESS

| Item | QTY | Part No  | Description                     |
|------|-----|----------|---------------------------------|
| 1    | 4   | 4950463  | HINGER FOR Y-OR U-PROFILE A2    |
| 3    | 8   | 39106020 | CONNECTION SCREW M6X20 STAIN    |
| 4    | 8   | 39206037 | SPLICING SLEEVE M6X37 STAINLESS |



4900851 HINGER FOR HAT PROFILE STAINLESS

| Item | QTY | Part No  | Description                     |
|------|-----|----------|---------------------------------|
| 1    | 4   | 39106020 | CONNECTION SCREW M6X20 A2       |
| 2    | 4   | 39206037 | SPLICING SLEEVE M6X37 STAINLESS |
| 3    | 2   | 4950465  | HINGER FOR HUT PROFILE A2       |



4900591 MOUNTING KIT FOR WALL MOUNTING

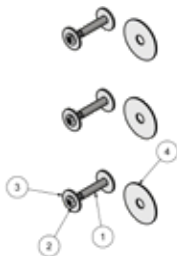
| Item | QTY | Part No  | Description                   |
|------|-----|----------|-------------------------------|
| 1    | 2   | 4950955  | FLOOR ANGLE 133X44X39 MM A2   |
| 3    | 4   | 34910070 | COUCH SCREW M10X70 A2 DIN 571 |
| 4    | 4   | 39900001 | WALL PLUG 12X60 MM            |
| 5    | 4   | 35900085 | NUT WASHER Ø10X10,5/30/2,5 A2 |

## Sales Bom



### 4900128 BOLT KIT FOR MOUNTING WALL

| Item | QTY | Part No  | Description                       |
|------|-----|----------|-----------------------------------|
| 1    | 3   | 34908061 | COUCH SCREW M8X60 A2 DIN 571      |
| 2    | 3   | 35600058 | NUT WASHER Ø8X8,4/24/2 A2 DIN9021 |
| 3    | 3   | 39900120 | WALL PLUG 10X50MM                 |



### 4900129 BOLT KIT FOR WASHING WALL AND FRONT PARTITION

| Item | QTY | Part No  | Description                         |
|------|-----|----------|-------------------------------------|
| 1    | 3   | 39206037 | SPLICING SLEEVE M6X37 STAINLESS     |
| 2    | 3   | 39106030 | CONNECTION SCREW M6X30 STAINLESS    |
| 3    | 6   | 35600058 | NUT WASHER Ø8X8,4/24/2 A2 DIN9021   |
| 4    | 3   | 20037    | MASTER CLAMP WASHER Ø10,5/45 1,5 A2 |

\* When mounting UPROFILE/BOARDPROFILE/UPROFILE use POS. 1, 2 & 3.

\* When mounting UPROFILE/BOARDPROFILE use POS. 1, 2, 4 and only 3 pcs. of POS. 3



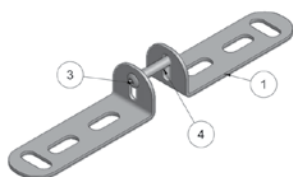
### 4900130 BOLT KIT UPROFILE AGAINST FEEDER

| Item | QTY | Part No  | Description                           |
|------|-----|----------|---------------------------------------|
| 1    | 3   | 30310025 | SET SCREW M10X25 A2 DIN 933           |
| 2    | 6   | 35900085 | NUT WASHER Ø10X10,5/30/2,5 A2DIN 9021 |
| 3    | 3   | 33900029 | LOCK NUT M10 A2 DIN 985               |



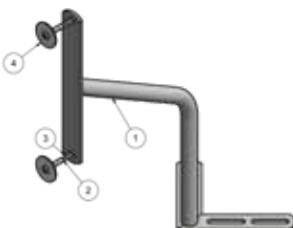
### 4900700 SUPPORT FOUNDATION PLATE

| Item | QTY | Part No  | Description                      |
|------|-----|----------|----------------------------------|
| 1    | 2   | 4950955  | FLOOR ANGLE 133X44X39 MM A2      |
| 3    | 1   | 39106020 | CONNECTION SCREW M6X20 STAINLESS |
| 4    | 1   | 39206037 | SPLICING SLEEVE M6X37 STAINLESS  |



### 4900508 STABILIZATOR KIT

| Item | QTY | Part No  | Description                                  |
|------|-----|----------|--|
| 1    | 1   | 4950508  | ST STABILIZATOR FOR BOARDPROFILE OVER TROUGH |
| 2    | 2   | 39206037 | SPLICING SLEEVE M6X37 STAINLESS              |
| 3    | 2   | 39106040 | CONNECTION SCREW M6X40 A2                    |
| 4    | 2   | 20037    | MASTER CLAMP WASHER Ø10,5/45 1,5 A2          |





# ACO FUNKI

## Pvc profiles



| Part No | Description                |
|---------|----------------------------|
| 2900357 | POST PROFILE PVC 6,5 METER |



| Part No | Description             |
|---------|-------------------------|
| 2900358 | U-PROFILE PVC 6,5 METER |



| Part No | Description              |
|---------|--------------------------|
| 2900359 | HATPROFILE PVC 6,5 METER |



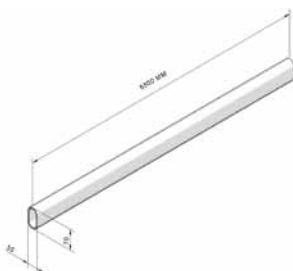
| Part No | Description             |
|---------|-------------------------|
| 2900360 | Y-PROFILE PVC 6,5 METER |



| Part No | Description             |
|---------|-------------------------|
| 2900361 | H-PROFILE PVC 6,5 METER |



| Part No | Description                 |
|---------|-----------------------------|
| 2900362 | PROFILE 35X35 PVC 6,5 METER |



| Part No  | Description                                      |
|----------|--|
| 8535075  | BOARD PROFILE 35X70 OVAL 5,4 METER               |
| 8535076* | BOARD PROFILE 35X70 OVAL 6 METER                 |
| 8535077  | BOARD PROFILE 35X70 OVAL 7 METER                 |
| 9340350  | BOARD PROFILE 70X35 OVAL SPEC.L. PRICE PER METER |

\*On Stock

# ACO FUNKI

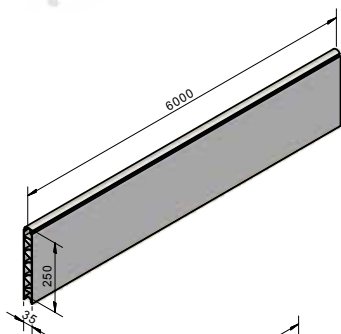
## Pvc profiles



| Part No | Description   |
|---------|---|
| 3110873 | STAINLESS STEEL CONTACTGRILLE H:760 L:1000 WITH FOUNDATIONPLATE |
| 3110874 | STAINLESS STEEL CONTACTGRILLE H:760 L:1220 WITH FOUNDATIONPLATE |
| 3110875 | STAINLESS STEEL CONTACTGRILLE H:760 L:1500 WITH FOUNDATIONPLATE |

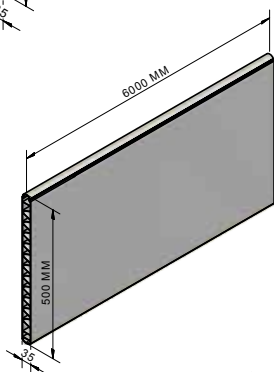


| Part No | Description   |
|---------|---|
| 3100873 | STAINLESS STEEL CONTACTGRILLE H:750 L:1000 WITH SCREW |
| 3100874 | STAINLESS STEEL CONTACTGRILLE H:750 L:1220 WITH SCREW |
| 3100875 | STAINLESS STEEL CONTACTGRILLE H:750 L:1500 WITH SCREW |



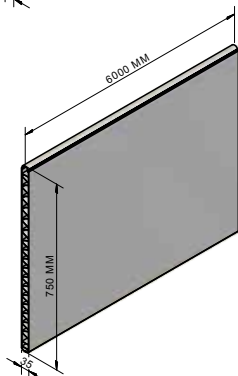
| Part No | Description   |
|---------|---|
| 30099   | BOARDPROFILE 35X250 MM SPEC. LENGTH PRICE PER METER |
| 30100*  | BOARDPROFILE 35X250 MM LENGTH 6 METER               |

\* On Stock



| Part No | Description   |
|---------|---|
| 30102   | BOARDPROFILE 35X500 MM SPEC. LENGTH PRICE PER METER |
| 30103*  | BOARDPROFILE 35X500 MM LENGTH 6 METER               |

\*On Stock



| Part No | Description   |
|---------|---|
| 30105   | BOARDPROFILE 35X750 MM SPEC. LENGTH PRICE PER METER |
| 30106*  | PLASTPLANKE 35X750 MM LÆNGDE 6 METER                |

\*On Stock

**M-6175-42**





## Description for Funkiflex weaner

### Procedure

1. U-profiles to be mounted into floor and wall.
2. Mounting of PVC board profiles and posts.
3. The pen is measured.
4. Foot plates are fixed to floor.
5. Partitions and doors towards corridor are mounted.

### Running and maintenance

- Pens for weaner, delivered by ACO Funki, has a dimension for finisher with a weight interval of 6-40 kg.
- Reservation is taken for inappropriate behavior from the staff, such as heavy beating, use of wrong tools, etc.
- Reservation is taken for inappropriate behavior from pigs, caused by external stress, etc
- The warranties do not cover ordinary wear and accidental damages.
- PVC Board profiles and other PVC parts must not be cleaned by high-pressure cleaning for longer periods with a constant beam, and/or with increased pressure from a short distance. The recommended pressure is max. 180 bar.
- Heating lamp, gear, motor, motor protection, controllers, signals, hand witch, relies system etc. must not be cleaned by high pressure cleaner.
- Cover for piglets must not be cleaned on the side with high pressure cleaner.
- Reservation is taken for inappropriate use of chemicals in connection with cleaning that could discolor or harm in form of etching.
- All water systems have to be cleaned frequently and decalcified.
- In connection with cleaning, the stable must dry out, in order for the components not to be exposed to constant moisture.
- All mounted and movable parts must be cleaned ongoing, retighten and lubricated. However if the parts gets lose within the first month after start up, ACO Funki has to be contacted immediately. We recommend lubricating with grease and oil on all movable iron parts, like hinges, locks, gates, brackets, corner wheels, drive units etc.
- All wearing part is not reclaimable, because these parts are considered as consumables.
- Smaller spots of corrosion on stainless steel parts must be expected. Warranties are only valid for rust perforation.
- ACO Funki products can be damaged by outdoors storage. We recommend maximum 1 month outdoors storage. However one can expect changes in the surface such as discoloring, rust spots etc. already within the first month.
- ACO Funkis complaint-handling is according to current legislation.