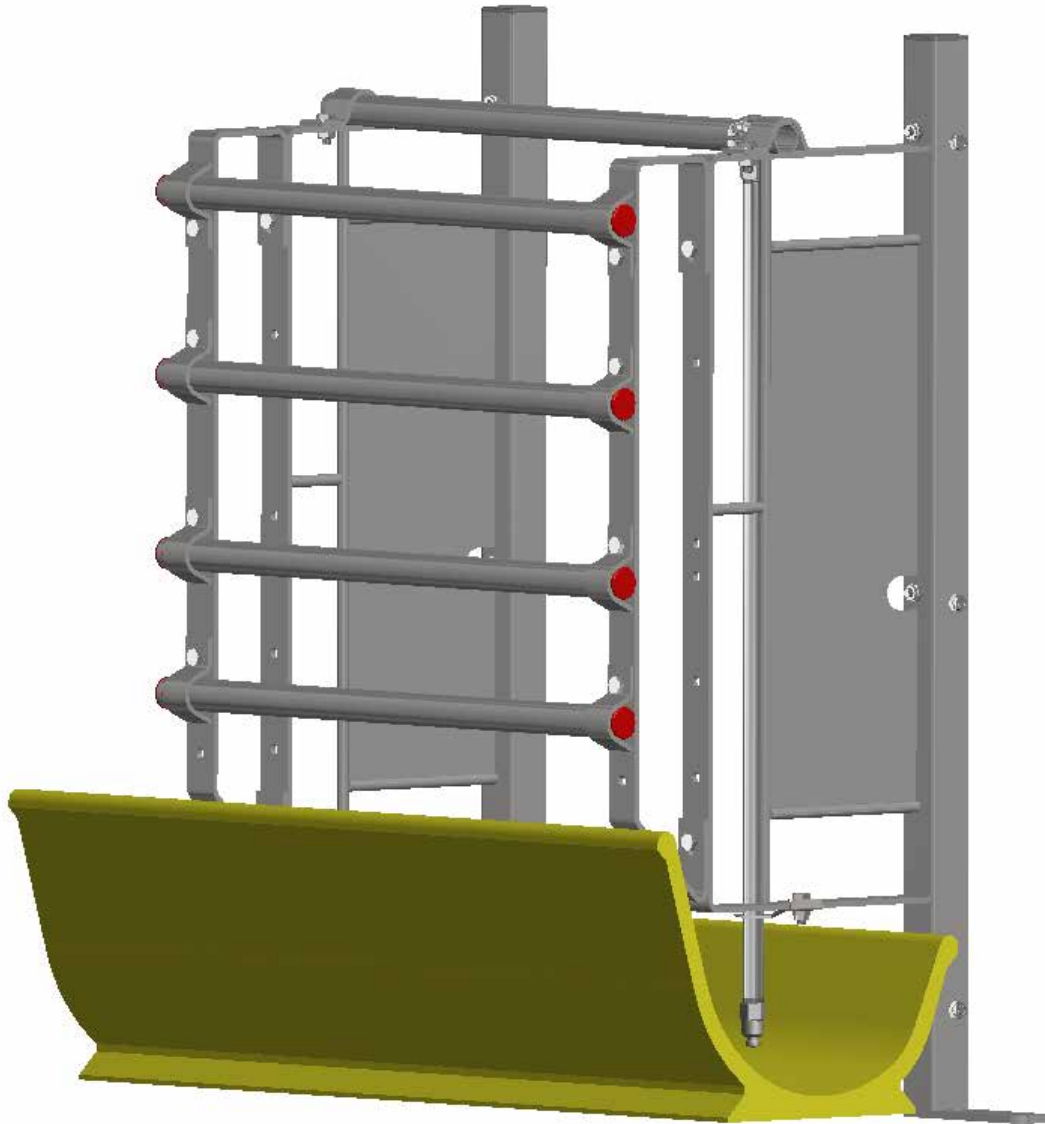


M-6183_GB

MOUNTING INSTRUCTION



PEN FRONT BARS/WATER



ACO FUNKI A/S

Kirkevænget 5
DK-7400 Herning

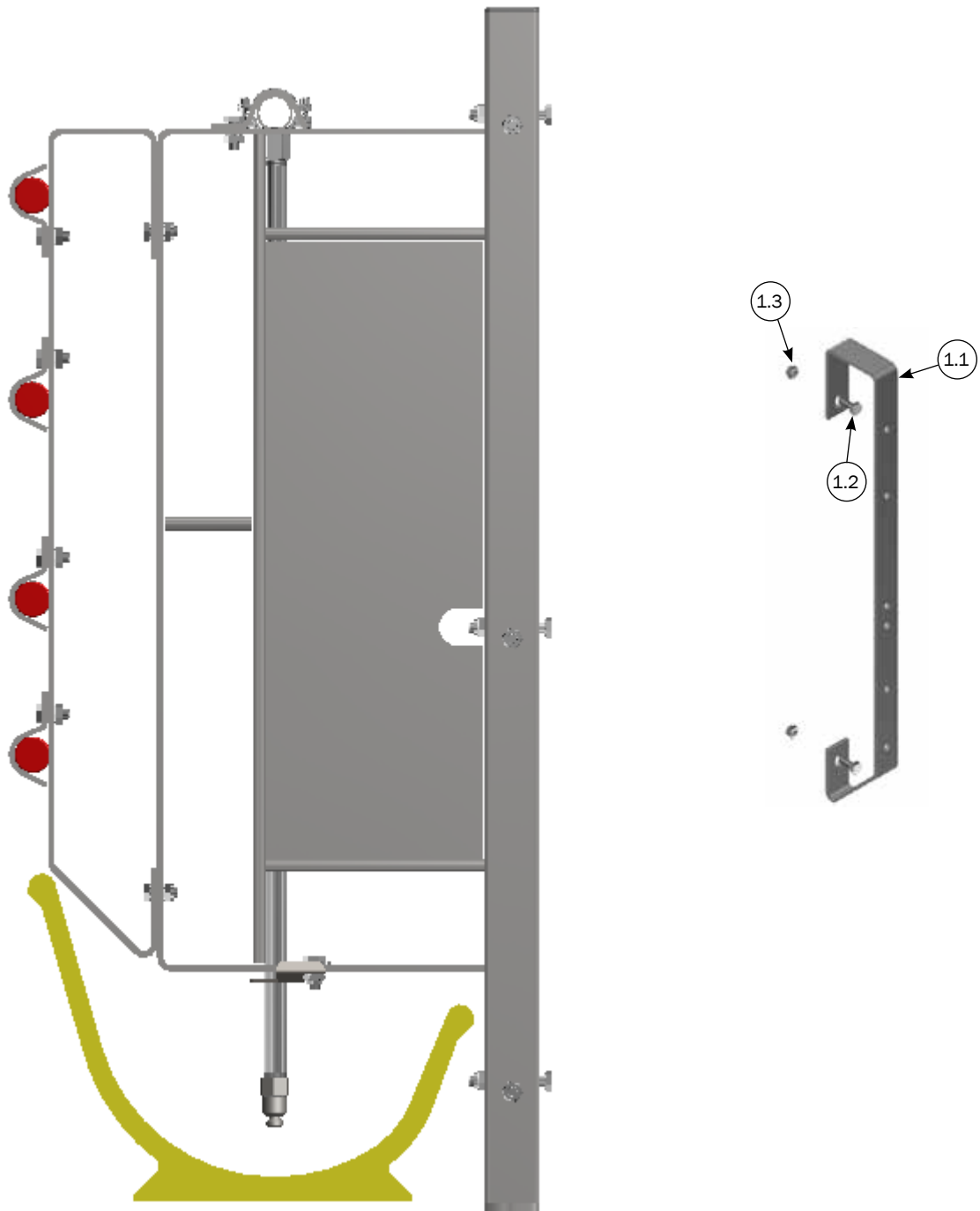
Tel. +45 9711 9600

Fax +45 9711 9677

www.acofunki.com

DANISH DESIGN | GERMAN QUALITY | GLOBAL EXPERIENCE

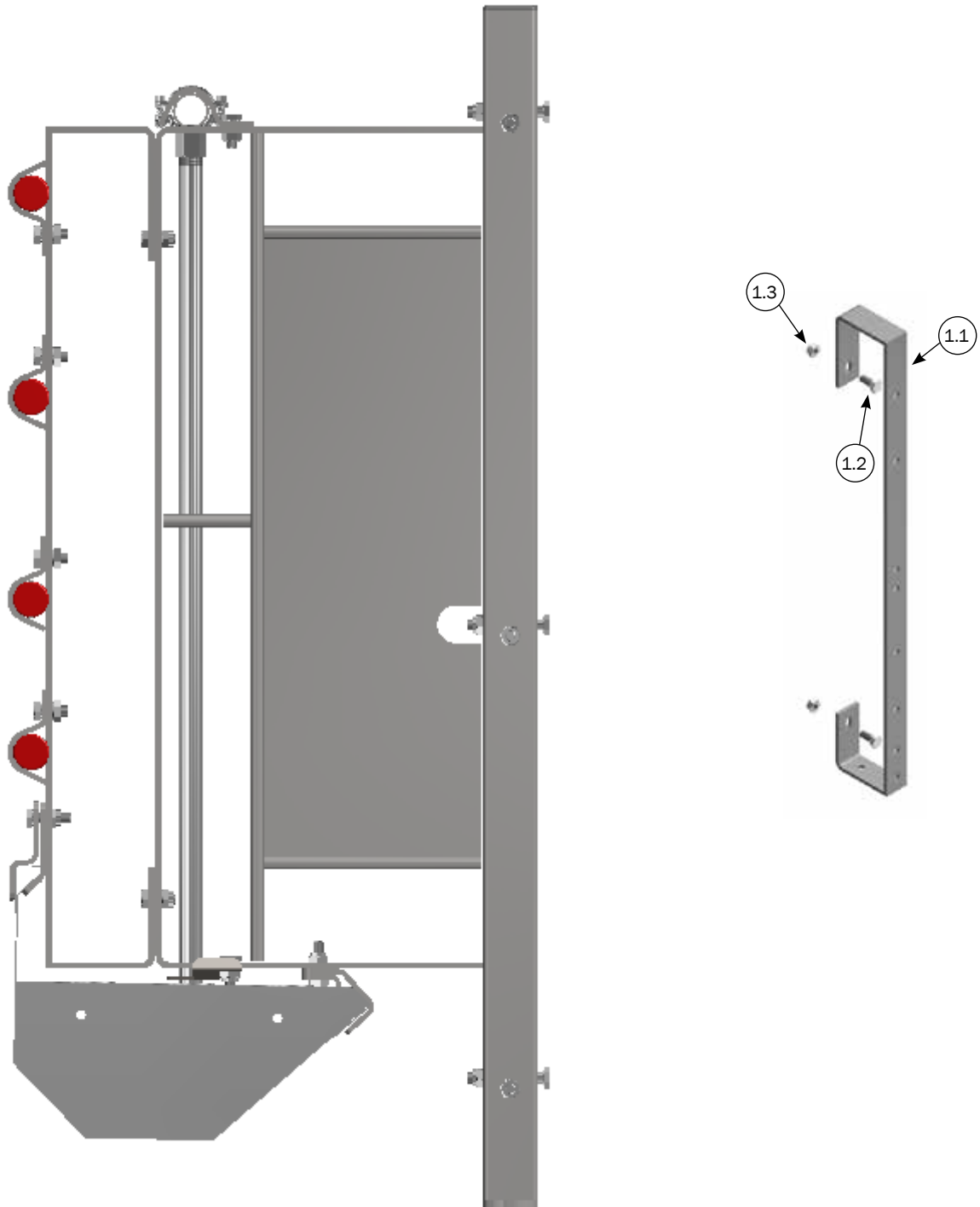
EXTENSION BRACKET FOR POLY TROUGH



PARTS LIST

NO.	PCS.	ITEM NO.	DESCRIPTION
1	1	1200377	EXTENSION BRACKET 100 MM FORPOLY TROUGH, INCL. SCREWS
1.1	1	1220377	EXTENSION BRACKET 100 MM FORPOLY TROUGH
1.2	2	30310025	SET SCREW M10X25 A2 DIN 933
1.3	2	33900029	LOCK NUT M10 A2 DIN 985

EXTENSION BRACKET FOR TROUGH STAINLESS STEEL

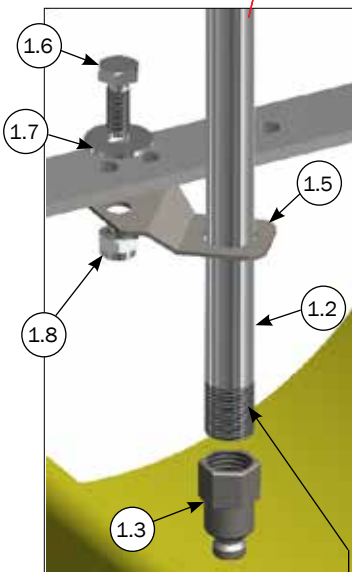
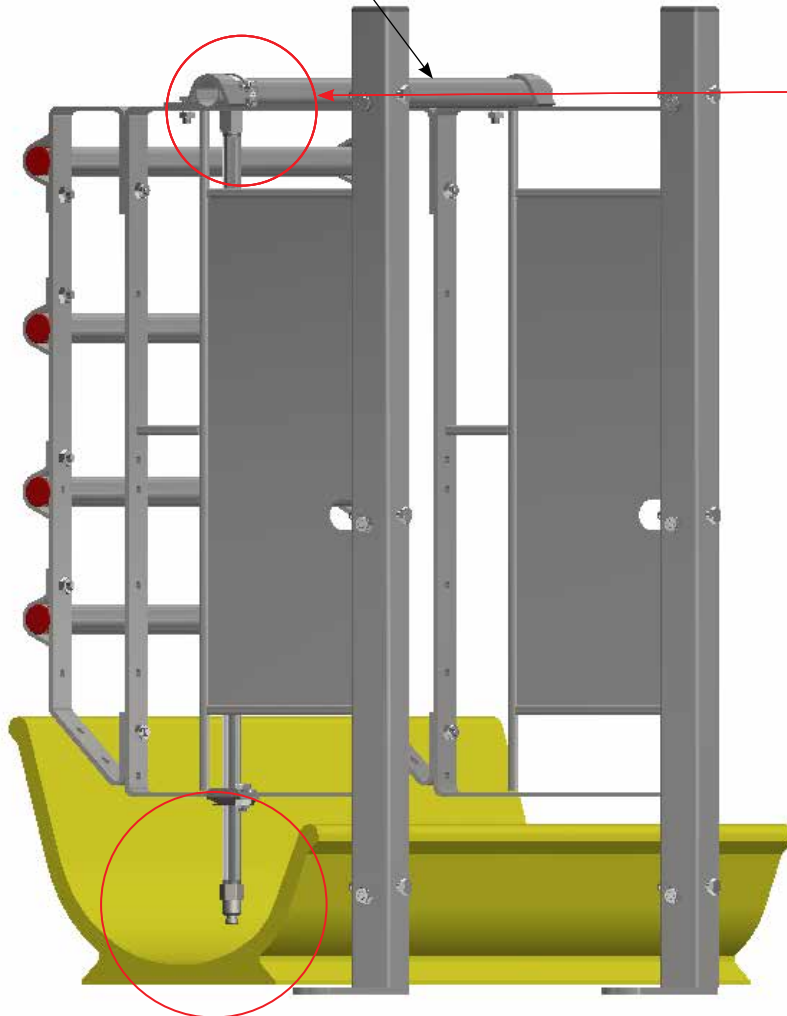


PARTS LIST

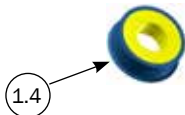
NO.	PCS.	ITEM NO.	DESCRIPTION
1	1	G62056	FRONT GRILLE EXTENSION 10 CM
1.1	1	58562	EXTENSION BRACKET 100 MM WIDTH 40 MM
1.2	2	30310025	SET SCREW M10X25 A2 DIN 933
1.3	2	33900029	LOCK NUT M10 A2 DIN 985

WATER FOR POLY TROUGH

Water pipe " 1900250" is adjusted at the place



Tread Tape is used on the Nipple Pipe before mounting the Press Nipple .

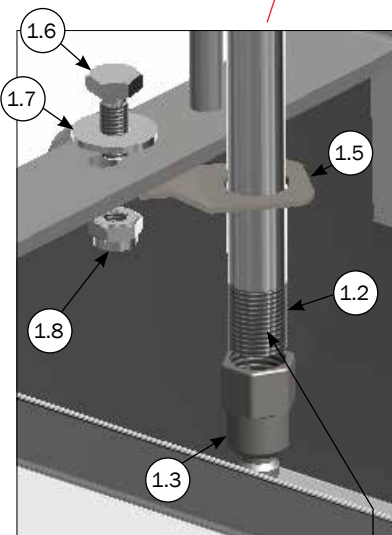
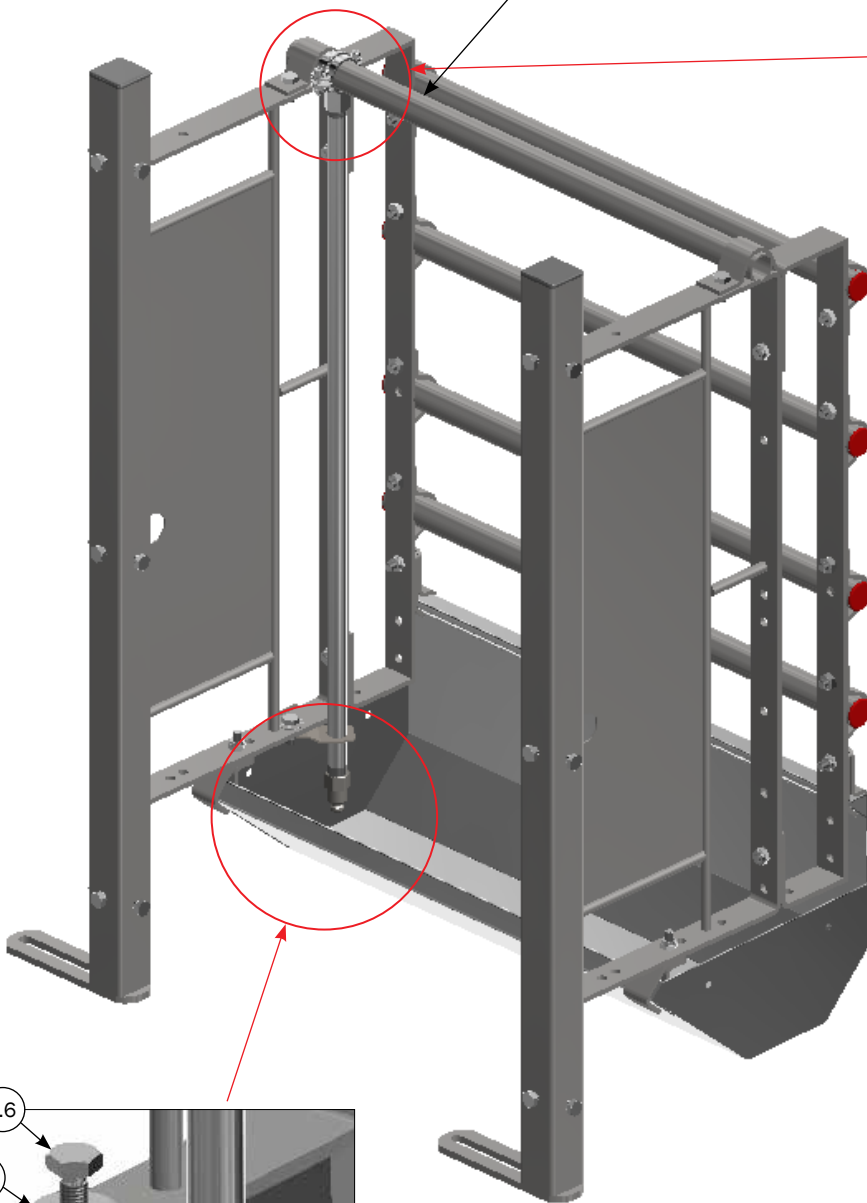


PARTS LIST

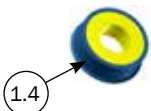
NO.	PCS.	ITEM NO.	DESCRIPTION
1	1	58955	WATER PIPE SET STAINLESS STEEL FOR 2 SOWS, STEELTROUGH
1.1	1	93164	DRILL CLAMP 1-1/2' STAINLESS STEEL
1.2	1	94039	NIPPLE PIPE 1/2" STAINLESS STEEL 830 MM W/THREAD
1.3	1	12100342	PRESS NIPPLE SS 1/2" TYPE 11, INTERNAL THREAD
1.4	1 meter	29100001	THREAD TAPE 1 ROLL = 10 M
1.5	1	20001	WATER PIPE BRAC. UNIV.F/FREE ACCESS 2011
1.6	1	30310025	SET SCREW M10X25 A2 DIN 933
1.7	1	35900085	NUT WASHER Ø10X10,5/30/2,5 A2DIN 9021
1.8	1	33900029	LOCK NUT M10 A2 DIN 985

WATER FOR TROUGH STAINLESS STEEL

Water Pipe " 1900250" is adjusted at the place.

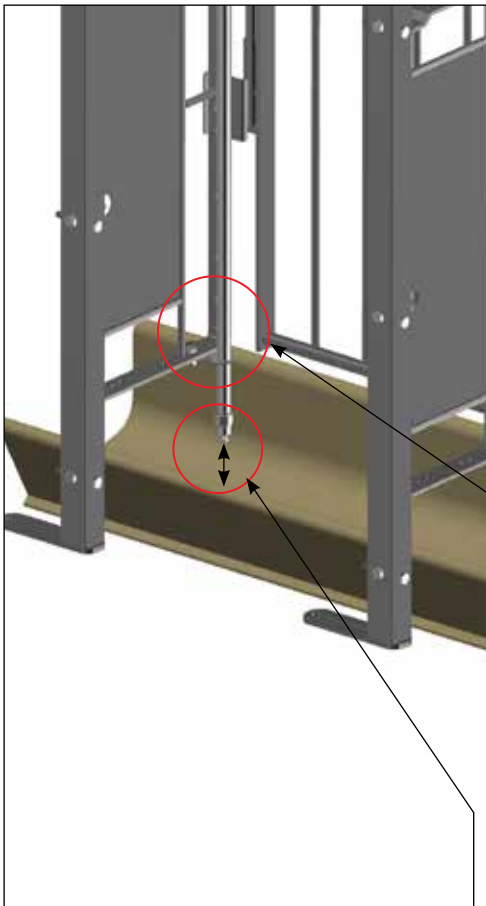


Tread Tape is used on the Nipple Pipe, before mounting the Press Nipple

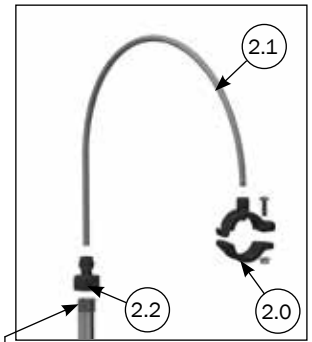


PARTS LIST			
NO.	PCS.	ITEM NO.	DESCRIPTION
1	1	58955	WATER PIPE SET STAINLESS STEEL FOR 2 SOWS, STEELTROUGH
1.1	1	93164	DRILL CLAMP 1-1/2' STAINLESS STEEL
1.2	1	94039	NIPPLE PIPE 1/2" STAINLESS STEEL 830 MM W/THREAD
1.3	1	12100342	PRESS NIPPLE SS 1/2" TYPE 11, INTERNAL THREAD
1.4	1 meter	29100001	THREAD TAPE 1 ROLL = 10 M
1.5	1	20001	WATER PIPE BRAC. UNIV.F/FREE ACCESS 2011
1.6	1	30310025	SET SCREW M10X25 A2 DIN 933
1.7	1	35900085	NUT WASHER Ø10X10,5/30/2,5 A2DIN 9021
1.8	1	33900029	LOCK NUT M10 A2 DIN 985

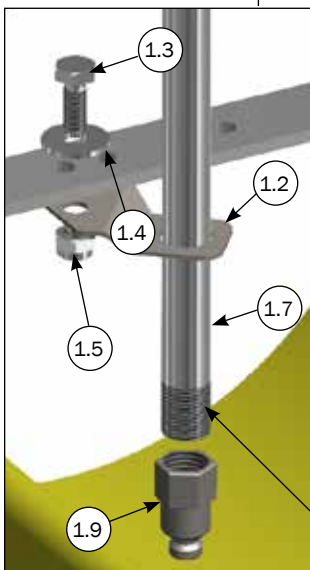
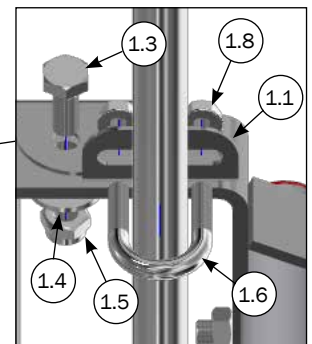
HIGH WATER PIPELINE FOR POLY TROUGH



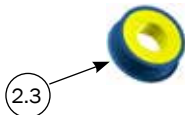
The distance between Press nipples and the bottom of the Trough is recommended to 50-60mm.



Tread Tape is used on the Nipple Pipe, before mounting the Speed union



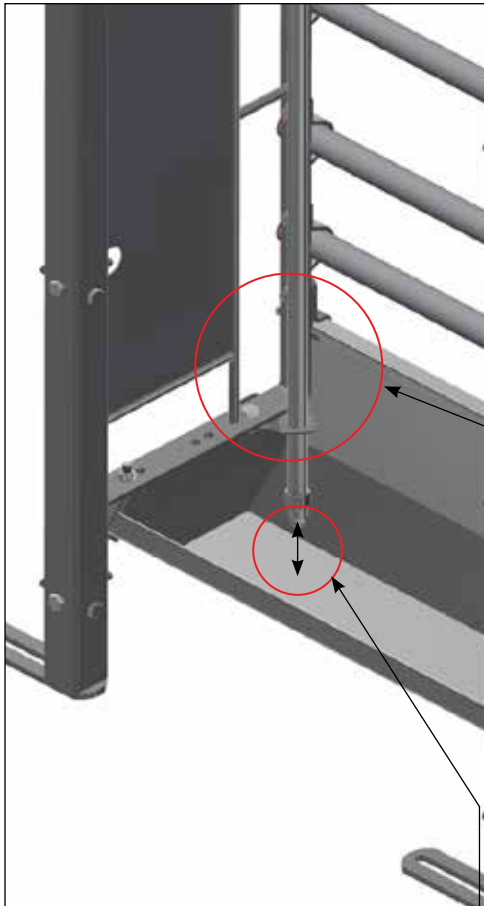
Tread Tape is used on the Nipple Pipe before mounting the Press Nipple .



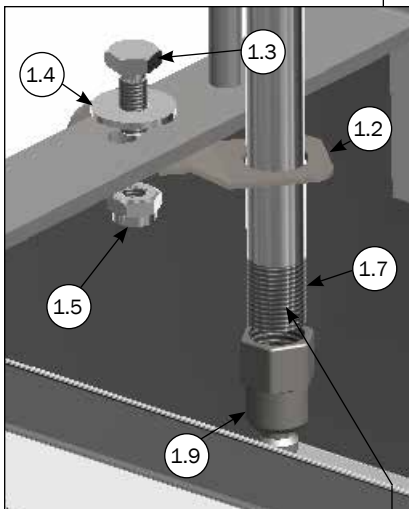
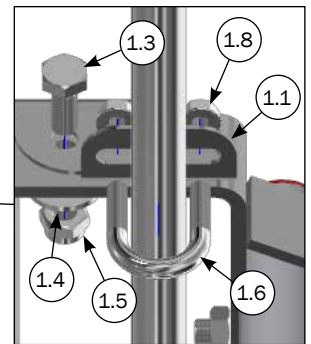
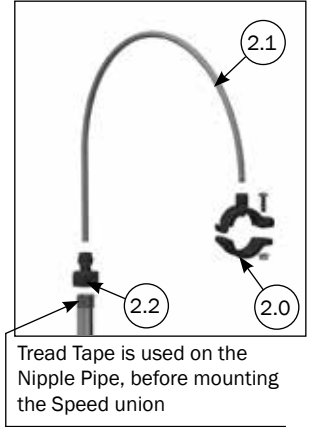
PARTS LIST

NO.	PCS.	ITEM NO.	DESCRIPTION
1	1	1900297	WATER PIPE SET, HIGH PIPELINE
1.1	1	1920501	TOP HOLDER FOR WATERPIPE
1.2	1	20001	WATER PIPE BRACKET FOR FREE ACCESS 2011
1.3	2	30310025	SET SCREW M10X25 A2 DIN 933
1.4	2	35900085	NUT WASHER Ø10X10,5/30/2,5 A2DIN 9021
1.5	2	33900029	LOCK NUT M10 A2 DIN 985
1.6	1	9930022	U-BOLT 1/2'XM8X40 MM STAINLESS STEEL
1.7	1	06902113	NIPPLE PIPE 1/2' STAINLESS STEEL 1700 MM W/THREAD
1.8	2	68552	M8 FLANGE NUT DIN 6923 A2
1.9	1	93305	PRESS NIPPLE SS INTERNAL THREAD 1/2'
2.0	1	61195	DRILL CLAMP PLASTIC 8MM-32/33,7 MM
2.1	0.5 meter	61012	HOSE 8 MM PE
2.2	1	61148	SPEED UNION 8 MM MUFF/FEMALE THREAD
2.3	1	29100001	GEVINDTAPE, RULLE Å 10M

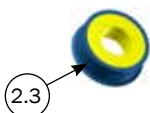
HIGH WATER PIPELINE FOR TROUGH STAINLESS STEEL



The distance between Press nipples and the bottom of the Trough is recommended to 50-60mm.



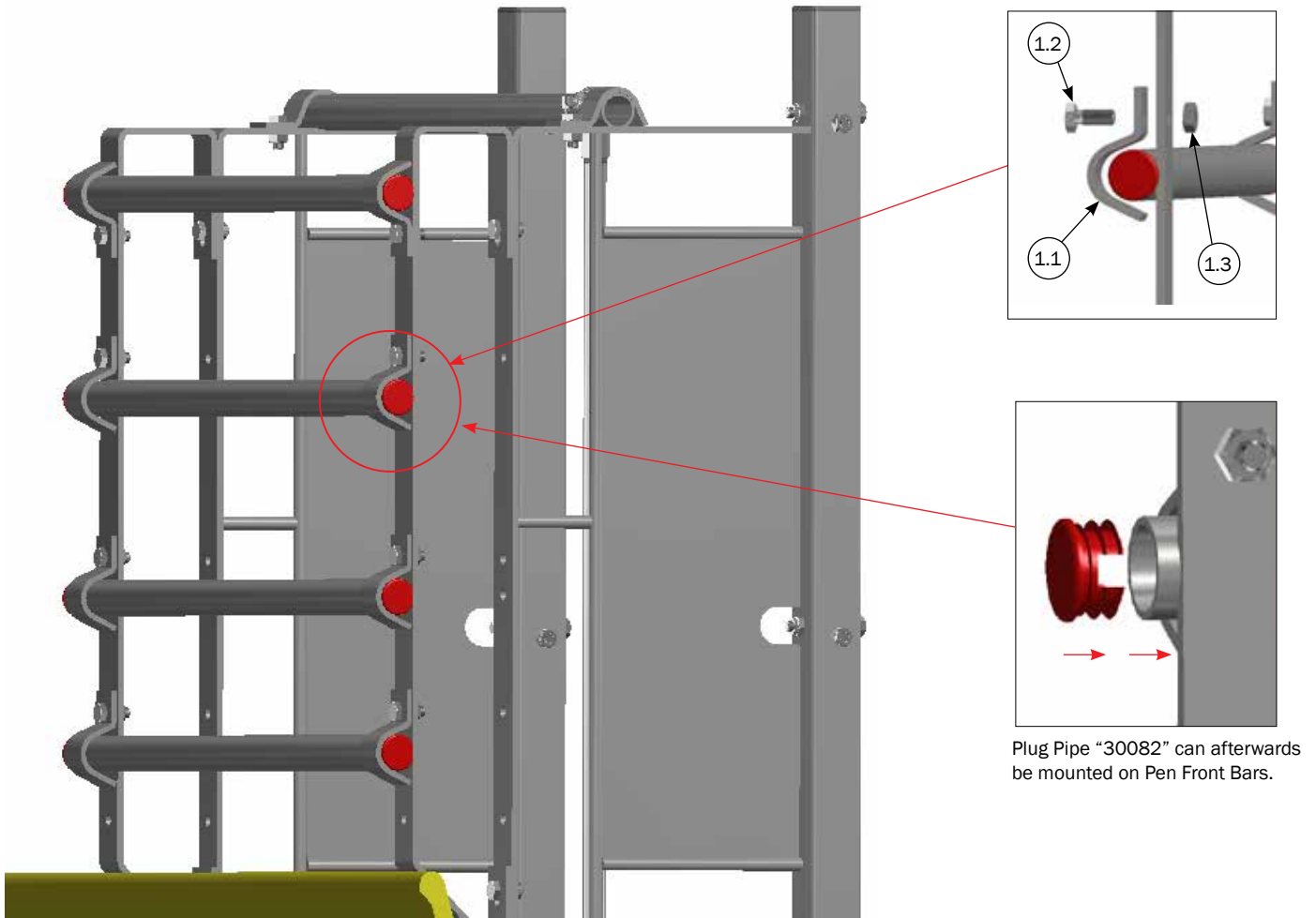
Tread Tape is used on the Nipple Pipe, before mounting the Press Nipple



PARTS LIST

NO.	PCS.	ITEM NO.	DESCRIPTION
1	1	1900297	WATER PIPE SET, HIGH PIPELINE
1.1	1	1920501	TOP HOLDER FOR WATERPIPE
1.2	1	20001	WATER PIPE BRACKET FOR FREE ACCESS 2011
1.3	2	30310025	SET SCREW M10X25 A2 DIN 933
1.4	2	35900085	NUT WASHER Ø10X10,5/30/2,5 A2DIN 9021
1.5	2	33900029	LOCK NUT M10 A2 DIN 985
1.6	1	9930022	U-BOLT 1/2'X8X40 MM STAINLESS STEEL
1.7	1	06902113	NIPPLE PIPE 1/2' STAINLESS STEEL 1700 MM W/THREAD
1.8	2	68552	M8 FLANGE NUT DIN 6923 A2
1.9	1	93305	PRESS NIPPLE SS INTERNAL THREAD 1/2'
2.0	1	61195	DRILL CLAMP PLASTIC 8MM-32/33,7 MM
2.1	0.5 meter	61012	HOSE 8 MM PE
2.2	1	61148	SPEED UNION 8 MM MUFF/FEMALE THREAD
2.3	1	29100001	GEVINDTAPE, RULLE Å 10M

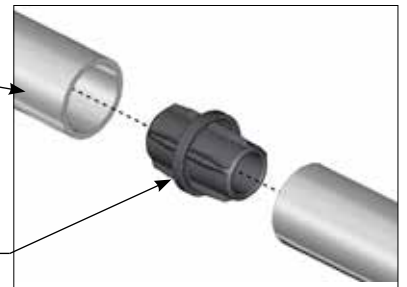
PEN FRONT BARS FOR SINGLE POLY TROUGH



Plug Pipe "30082" can afterwards be mounted on Pen Front Bars.

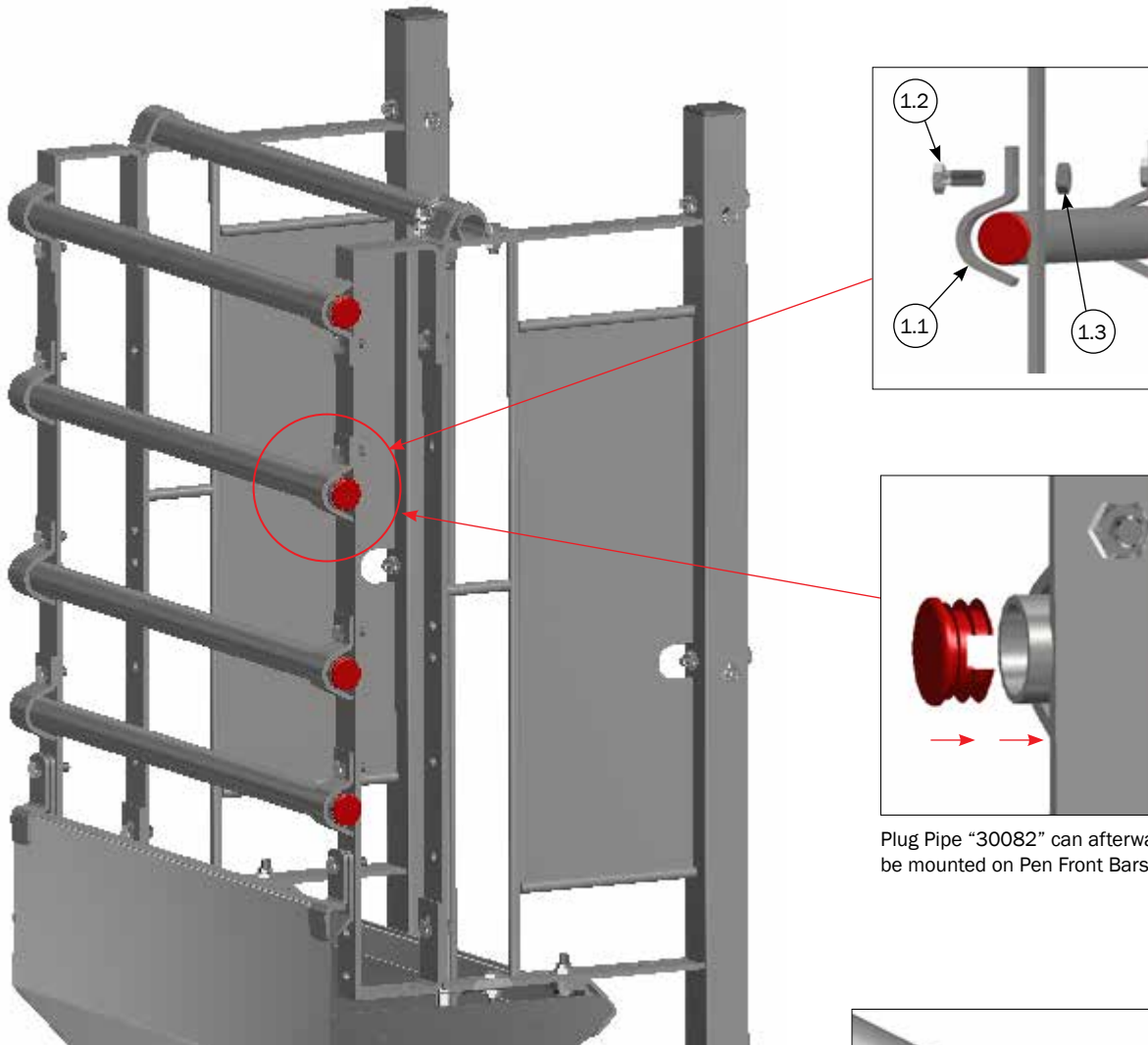
Pip "94001" 6 meter, is adjusted at the place.

Must be mounted with Pipe Connector 1', GALV. "16389"
The connections **mustn't** be above each other.



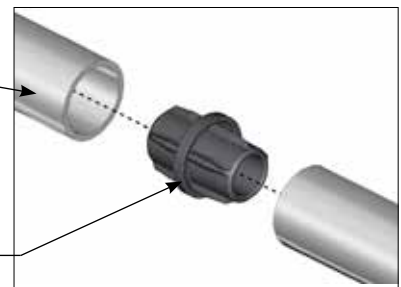
PARTS LIST			
NO.	PCS.	ITEM NO.	DESCRIPTION
1	1	16381	PIPE RETAINER 1 WITH BOLT ANDNUT - 5 PCS.
1.1	5	16375	PIPE RETAINER 1 W/O BOLT
1.2	5	30310025	SET SCREW M10X25 A2 DIN 933
1.3	5	33510017	NUT M10 A2 DIN 934

PEN FRONT BARS FOR SINGLE TROUGH STAINLESS STEEL



Pip "94001" 6 meter, is adjusted at the place.

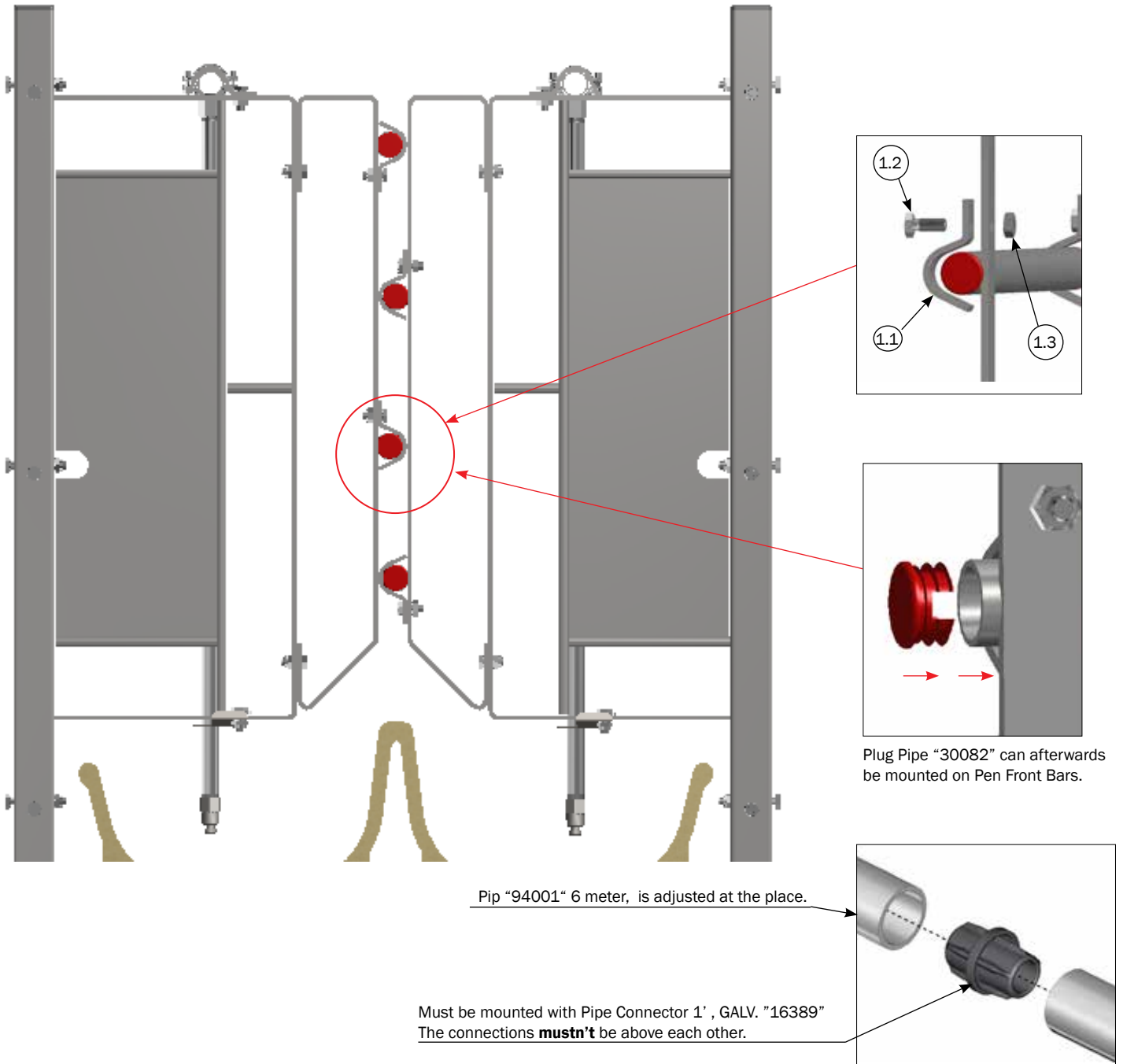
Must be mounted with Pipe Connector 1' , GALV. "16389"
The connections **mustn't** be above each other.



Plug Pipe "30082" can afterwards
be mounted on Pen Front Bars.

PARTS LIST			
NO.	PCS.	ITEM NO.	DESCRIPTION
1	1	16381	PIPE RETAINER 1 WITH BOLT AND NUT - 5 PCS.
1.1	5	16375	PIPE RETAINER 1 W/O BOLT
1.2	5	30310025	SET SCREW M10X25 A2 DIN 933
1.3	5	33510017	NUT M10 A2 DIN 934

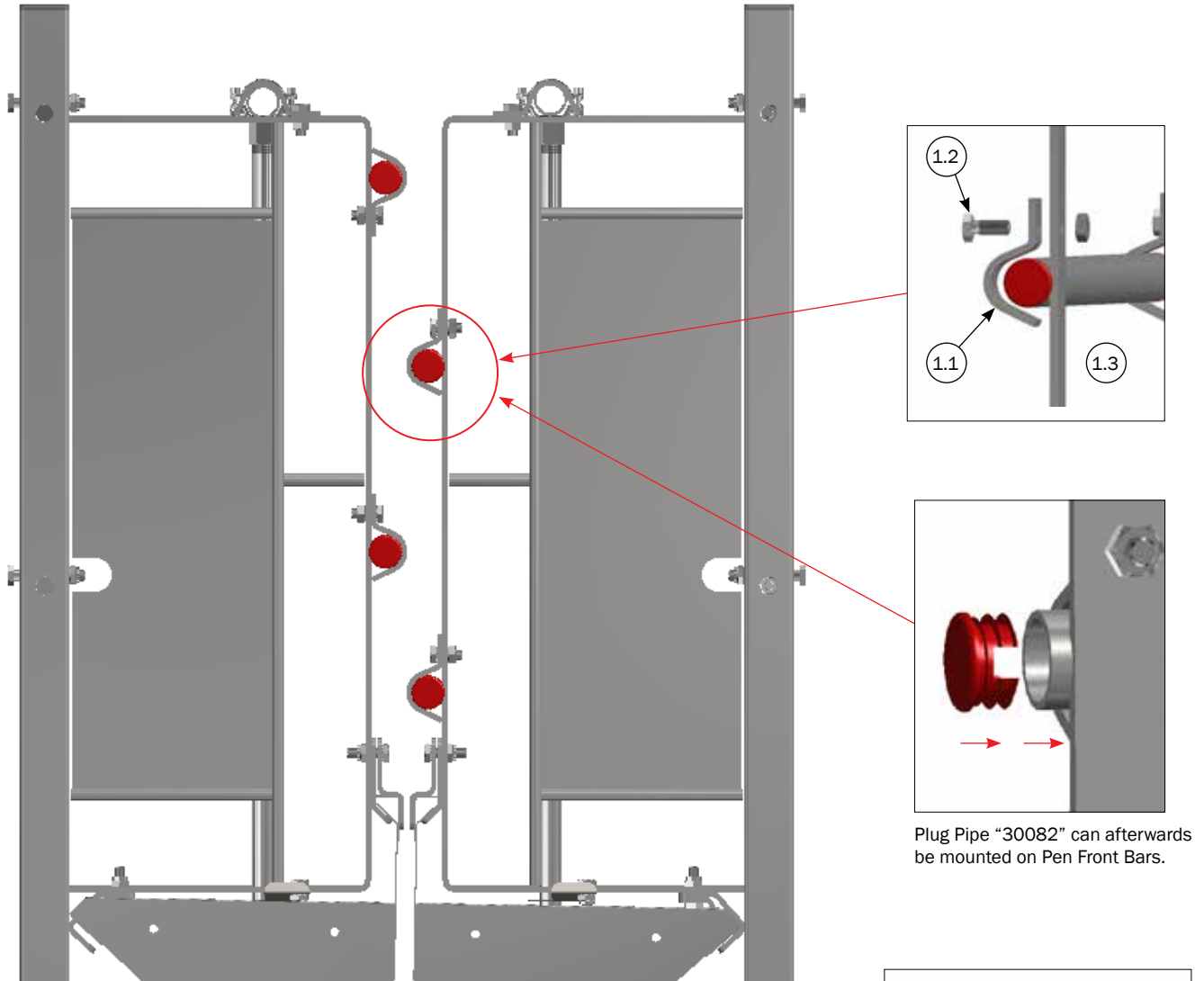
PEN FRONT BARS FOR DOUBLE POLY TROUGH



PARTS LISTE

NO.	PCS.	ITEM NO.	DESCRIPTION
1	1	16382	PIPE RETAINER 1 WITH BOLT AND NUT - 6 PCS.
1.1	5	16375	PIPE RETAINER 1 W/O BOLT
1.2	5	30310025	SET SCREW M10X25 A2 DIN 933
1.3	5	33510017	NUT M10 A2 DIN 934

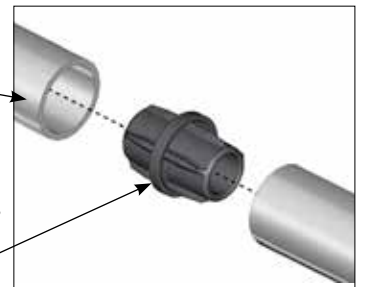
PEN FRONT BARS FOR DOUBLE TROUGH STAINLESS STEEL



Plug Pipe "30082" can afterwards be mounted on Pen Front Bars.

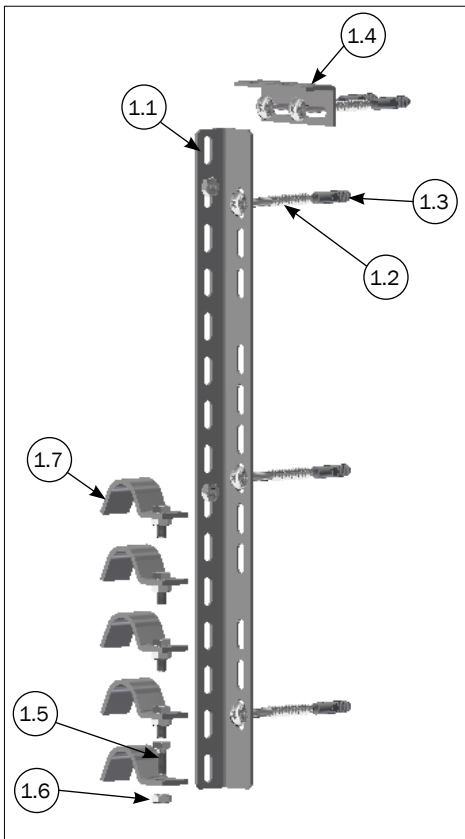
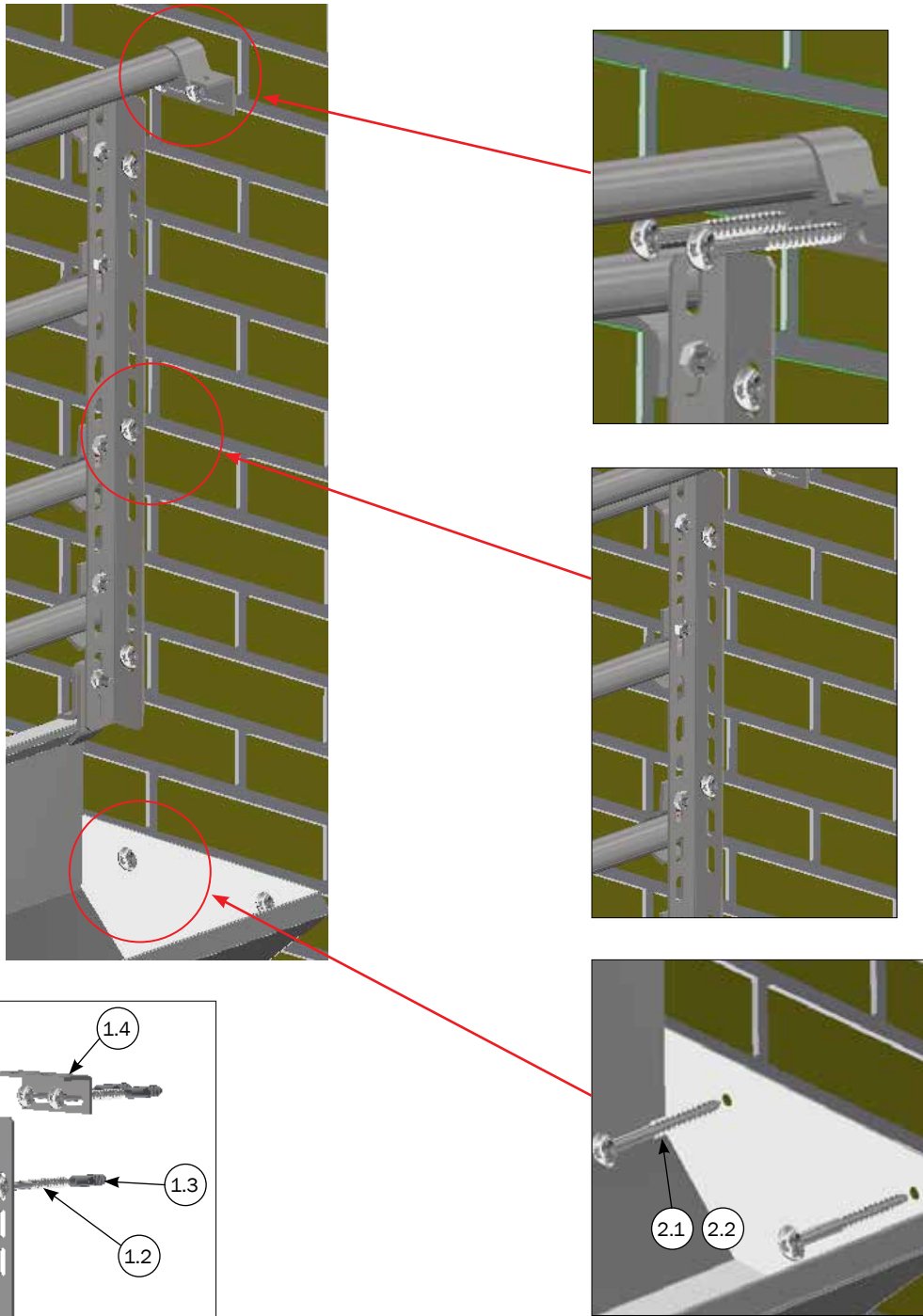
Pip "94001" 6 meter, is adjusted at the place.

Must be mounted with Pipe Connector 1', GALV. "16389"
The connections **mustn't** be above each other.



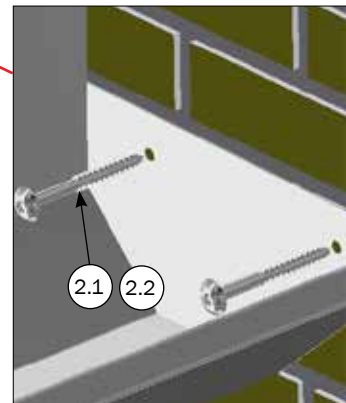
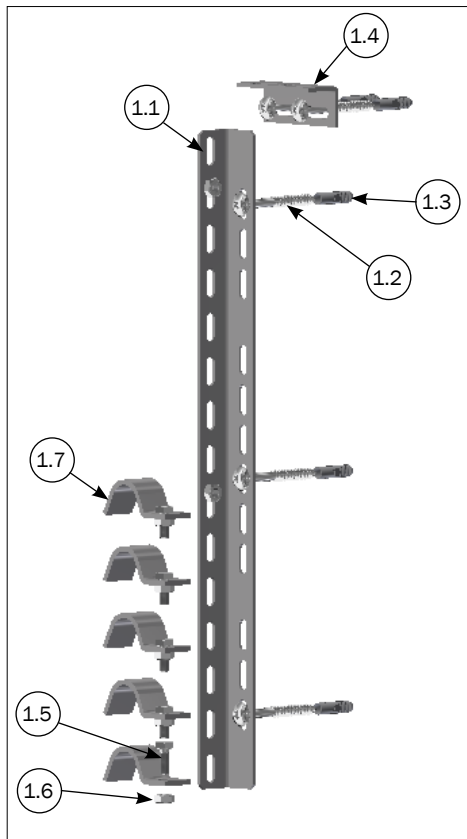
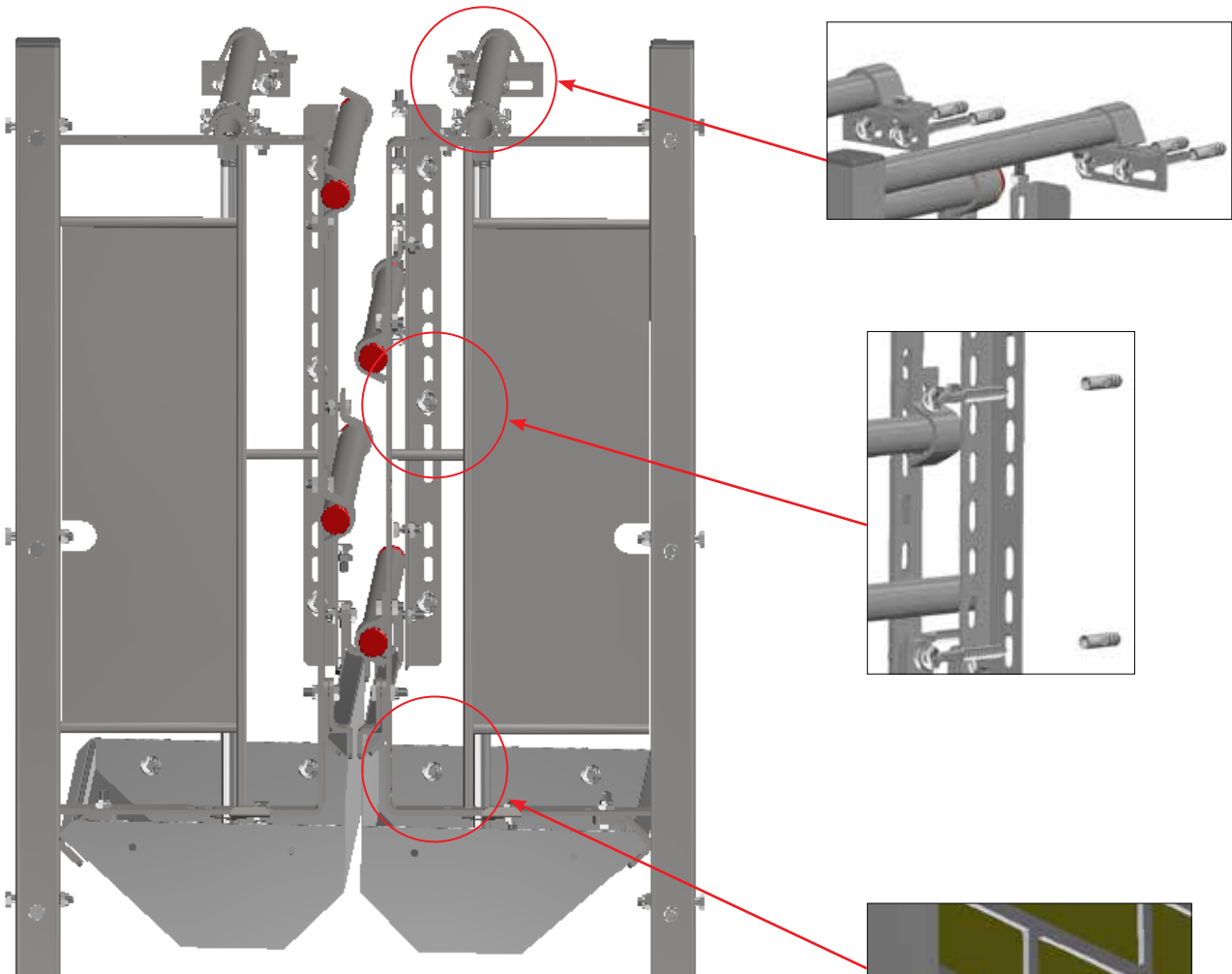
PARTS LIST			
NO.	PCS.	ITEM NO.	DESCRIPTION
1	1	16382	PIPE RETAINER 1 WITH BOLT ANDNUT - 6 PCS.
1.1	5	16375	PIPE RETAINER 1 W/O BOLT
1.2	5	30310025	SET SCREW M10X25 A2 DIN 933
1.3	5	33510017	NUT M10 A2 DIN 934

PEN FRONT BARS SINGLE TROUGH MOUNTED AGAINST WALL



PARTS LIST			
NO.	PCS.	ITEM NO.	DESCRIPTION
1	1	1200362	FITTING FOR PEN FRONT BARS AGAINST WALL
1.1	1	1215328	FITTING FOR FRONT PIPES AGAINST WALL
1.2	5	67444	M10 X 70 BUTTON HEAD TORX 50STAINLESS STEEL
1.3	5	39900001	WALL PLUG 12X60 MM
1.4	1	3920096	WALL FITTING FOR WATER PIPE
1.5	5	30310025	SET SCREW M10X25 A2 DIN 933
1.6	5	33510017	NUT M10 A2 DIN 934
1.7	5	16375	PIPE RETAINER 1 W/O BOLT
2	1	4800010	10 PCS. SS BUTTON HEAD SCREWS M10X70 + DOWEL
2.1	2	67444	M10 X 70 BUTTON HEAD TORX 50STAINLESS STEEL
2.2	2	39900001	WALL PLUG 12X60 MM

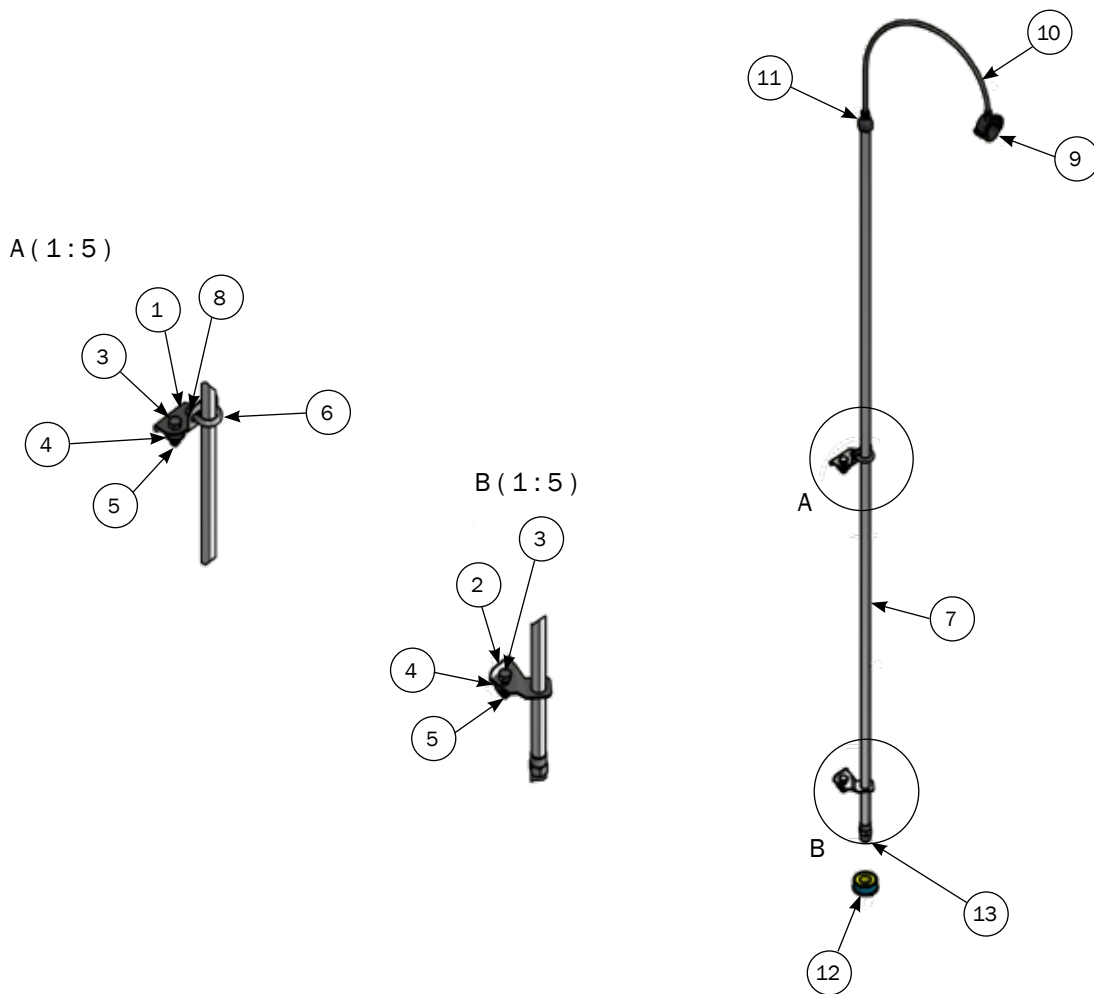
PEN FRONT BARS FOR DOUBLE TROUGH MOUNTED AGAINST WALL



PARTS LIST

NO.	PCS.	ITEM NO.	DESCRIPTION
1	2	1200362	FITTING FOR PEN FRONT BARS AGAINST WALL
1.1	2	1215328	FITTING FOR FRONT PIPES AGAINST WALL
1.2	10	67444	M10 X 70 BUTTON HEAD TORX 50STAINLESS STEEL
1.3	10	39900001	WALL PLUG 12X60 MM
1.4	2	3920096	WALL FITTING FOR WATER PIPE
1.5	10	30310025	SET SCREW M10X25 A2 DIN 933
1.6	10	33510017	NUT M10 A2 DIN 934
1.7	10	16375	PIPE RETAINER 1 W/O BOLT
2	1	4800010	10 PCS. SS BUTTON HEAD SCREWS M10X70 + DOWEL
2.1	4	67444	M10 X 70 BUTTON HEAD TORX 50STAINLESS STEEL
2.2	4	39900001	WALL PLUG 12X60 MM

WATER PIPE SET, HIGH PIPELINE



PARTS LIST			
NO.	PCS.	ITEM NO.	DESCRIPTION
1	1	1920501	TOP HOLDER FOR WATERPIPE
2	1	20001	WATER PIPE BRACKET FOR FREE ACCESS 2011
3	2	30310025	SET SCREW M10X25 A2 DIN 933
4	2	35900085	WASHER Ø10.5X30X2.5 MM A2 DIN 9021
5	2	33900029	LOCK NUT M10 A2 DIN 985
6	1	9930022	U-BOLT 1/2" M8X40 MM STAINLESS STEEL
7	1	06902113	NIPPLE PIPE 1/2" STAINLESS STEEL 1700 MM W/THREAD
8	2	68552	COLLAR HEAD NUT M8 A2 DIN 6923
9	1	61195	DRILL CLAMP PVC 8MM-32/33,7 MM
10	0,5	61012	PE-HOSE 8X1,5 MM - PRICE PER. METER
11	1	61148	SPEED UNION 8 MM MUFF/FEMALE THREAD
12	1	29100001	THREAD TAPE 1 ROLL = 10 M
13	1	12100342	PRESS NIPPLE SS 1/2" TYPE 11, INTERNAL THREAD