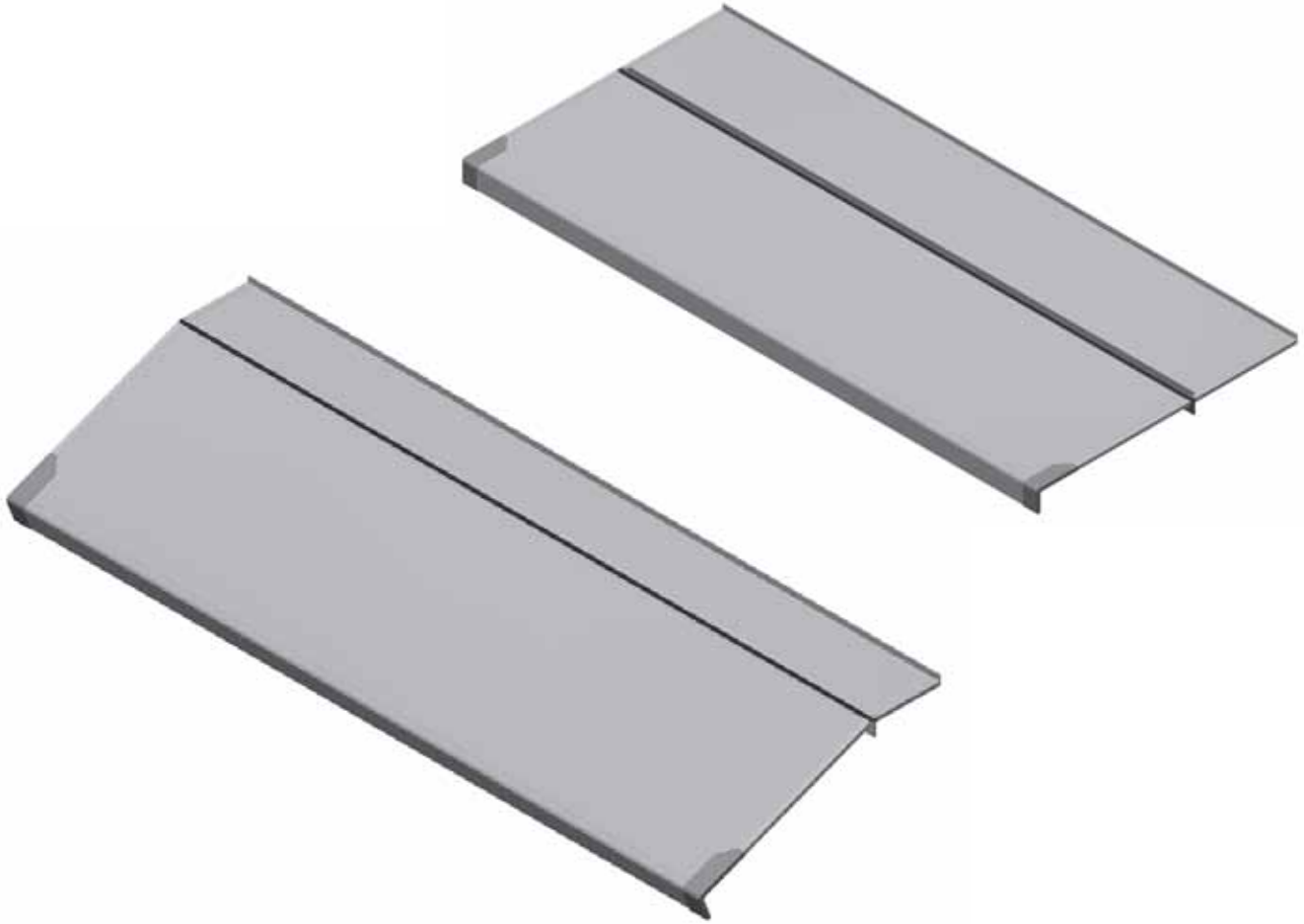


M-6188_GB

MOUNTING INSTRUCTION



FLEXCOVER



ACO FUNKI A/S

Kirkevænget 5
DK-7400 Herning

Tel. +45 9711 9600

Fax +45 9711 9677

www.acofunki.com

FUNKI

DANISH DESIGN | GERMAN QUALITY | GLOBAL EXPERIENCE

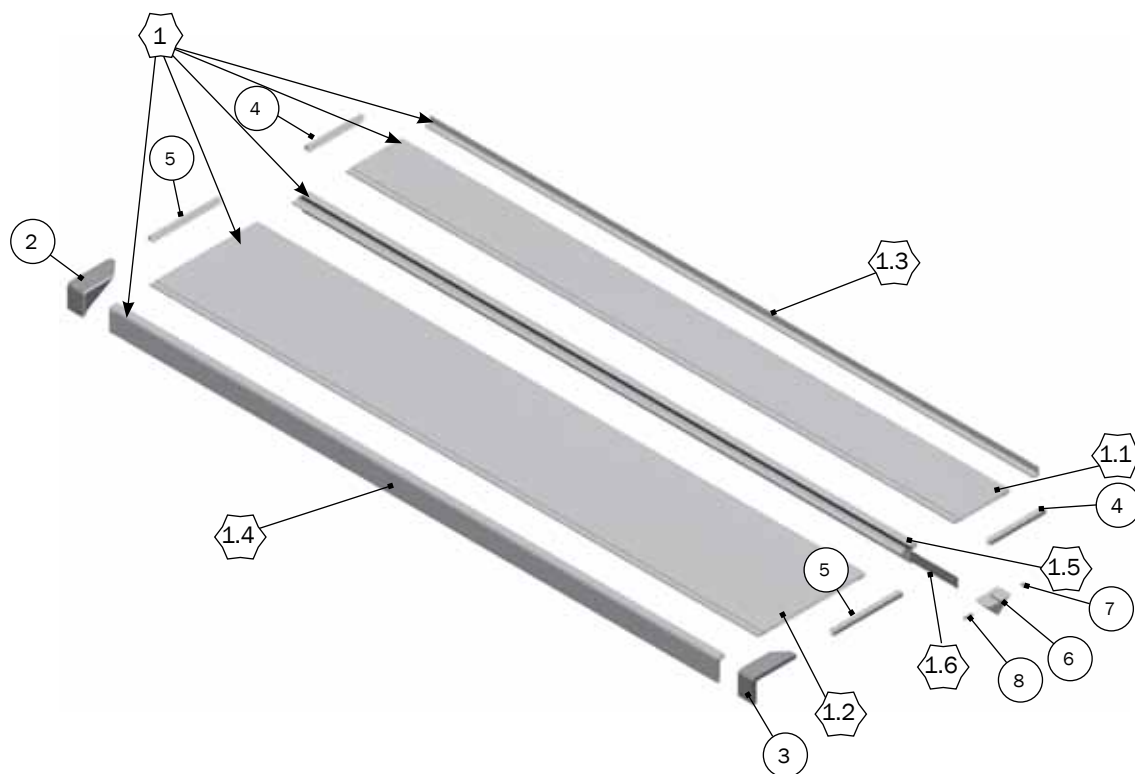
Assembly of 2-piece straight Flexcover with fixed measurements

NB!

Flexcover parts are delivered unassembled.

Additional accessories needed:

1 piece PVC glue 0,5 kg to 25 covers** (Part no. 23900112)



** - Glue will be used to position 2;3;4;5.

xxxx - Item no. depends on model

PARTS LIST			
No.**	PCS.	ITEM No.	DESCRIPTION
		XXXX	FLEXCOVER 2-DELT xx/xx DYBDE xx CM xxxx MM
①	1	xxxx	FLEXCOVER 15 MM PANEL
1.1	2	xxxx	PANEL 15 MM FLEXCOVER
1.2	1	xxxx	PANEL 15 MM FLEXCOVER
1.3	1	xxxx	WALL RAIL FOR 15 MM
1.4	1	xxxx	FRONT RAIL FOR 15 MM FLEXCOVER
1.5	2	xxxx	HINGE RAIL FOR 15 MM FLEXCOVER
1.6	1	xxxx	STIFFENING HINGE RAIL FLEXCOVER
2	1	8500263	CAP FRONT LEFT FLEXCOVER VER2
3	1	8500264	CAP FRONT RIGHT FLEXCOVER VER2
4	1	xxxx	U-PROFILE FLEXCOVER LENGTH XXX MM
5	1	xxxx	U-PROFILE FLEXCOVER LENGTH XXX MM
6	1	30380	SUPPORT HINGE RAIL FLEXCOVER
7	2	67347	BUTTONHEAD 8 X 35 7380
8	1	33908001	LOCK NUT M8 A2 DIN 985

Cutting instructions of Flexcover

Between partition (35 mm panel):

Length of climate cover = Pen width C/C - 55 mm

Length of panel (X) = Length of climate cover - 4mm

Pen against the wall (35 mm panel):

Length of climate cover = Pen width wall to the center of partition - 38 mm

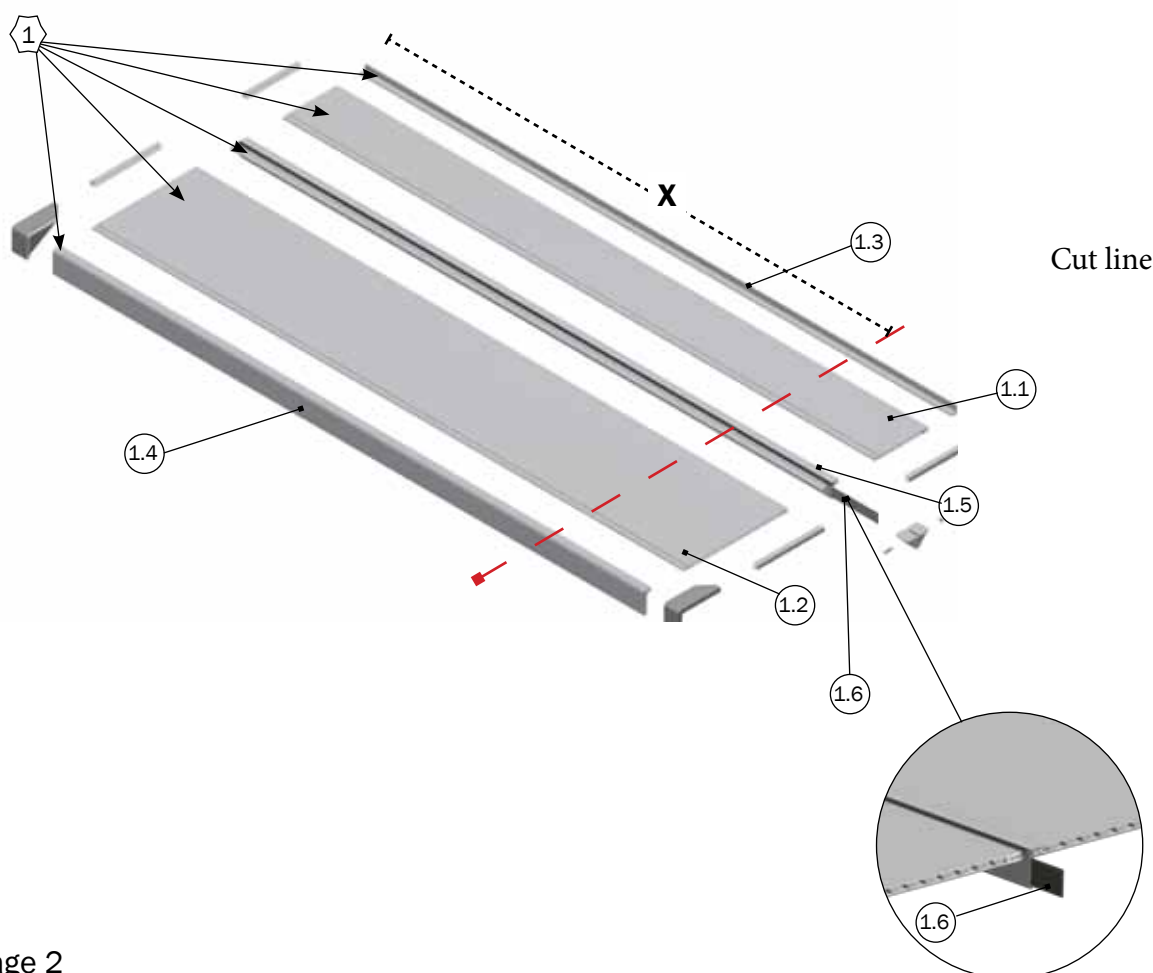
Length of panel (X) length of climate cover - 4 mm

For example:

Pen width 2000 mm C/C, 35 mm panel

Length of climate cover = 2000 - 55 = 1945 mm

Length of panel (X) = 1945 - 4 = 1941 mm



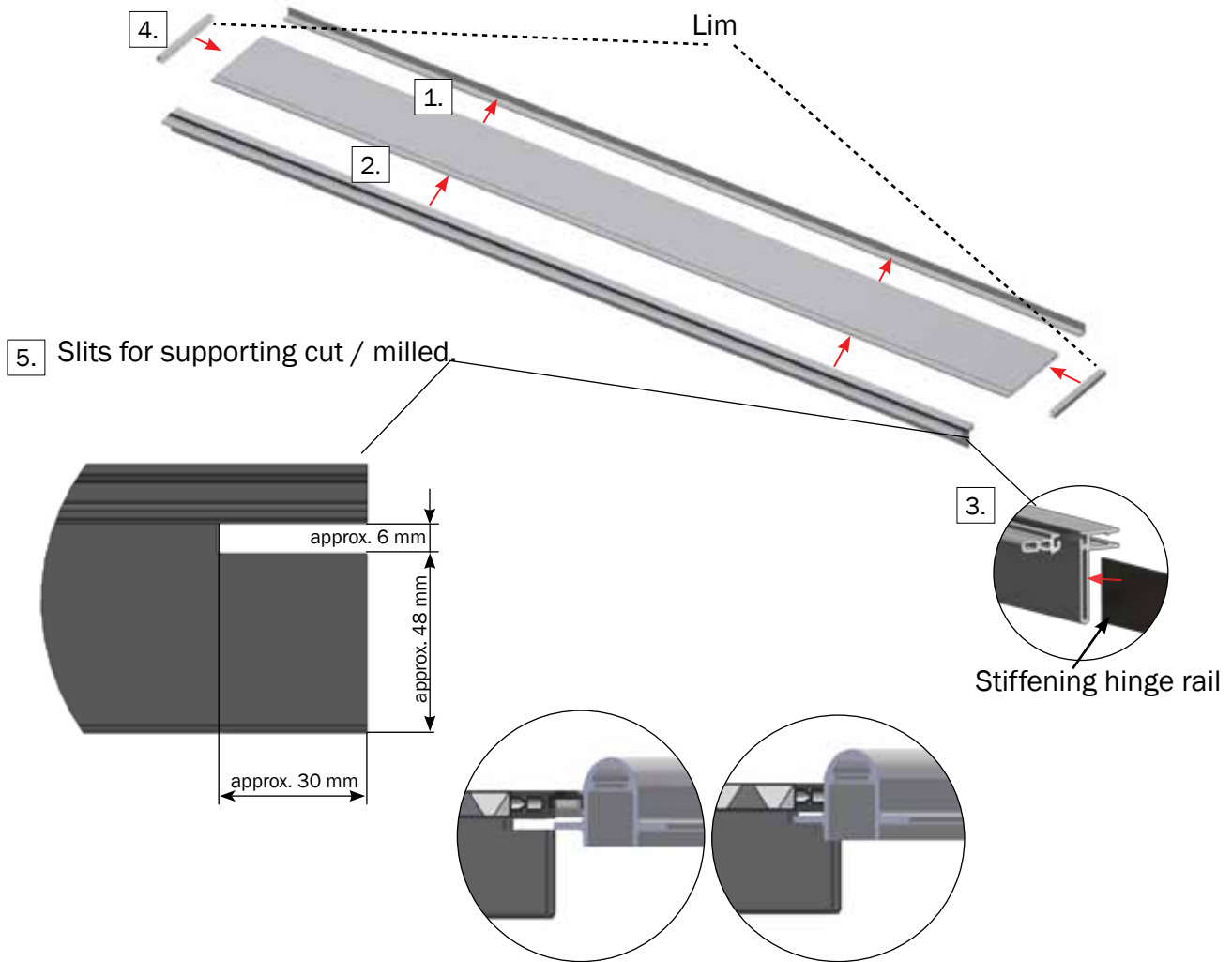
* Look at page 2

xxxx - Item no. depends on model

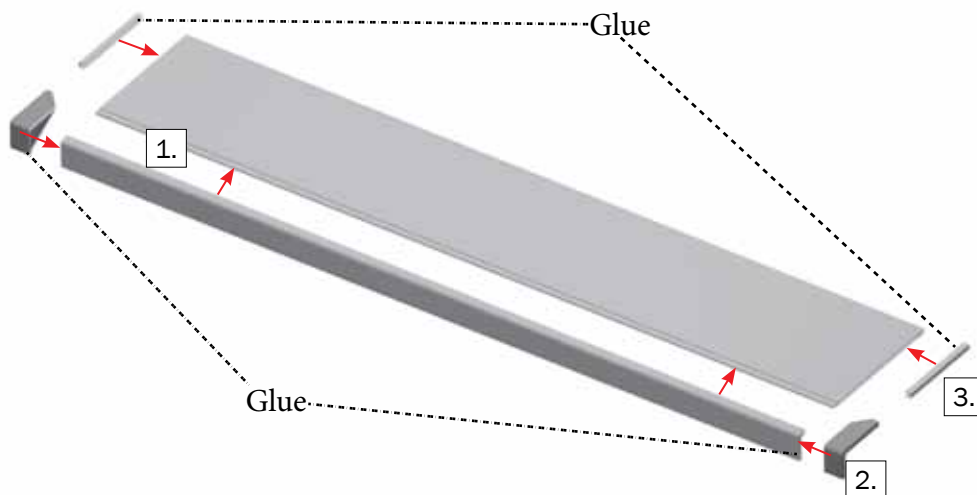
FLEXCOVER 2-PIECES STRAIGHT			
No.	PCS.	ITEM No.	DESCRIPTION
* ①	1	XXXX	FLEXCOVER 15 MM PANEL
1.1	2	xxxx	PANEL 15 MM FLEXCOVER
1.2	1	xxxx	PANEL 15 MM FLEXCOVER
1.3	1	xxxx	WALL RAIL FOR 15 MM FLEXCOVER
1.4	1	xxxx	FRONT RAIL FOR 15 MM FLEXCOVER
1.5	2	xxxx	HINGE RAIL FOR 15 MM FLEXCOVER
1.6	1	xxxx	STIFFENING HINGE RAIL FLEXCOVER

Assembly of FLEXCOVER

1 Assembly of fixed parts

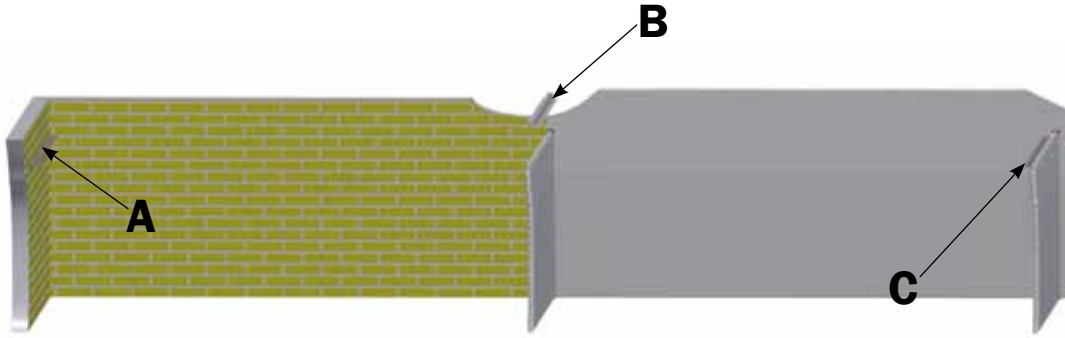


2 Assembly of tilting part

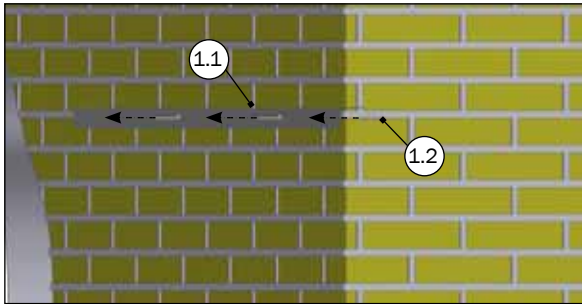


Mounting of HAT PROFILE/V-RAIL

3



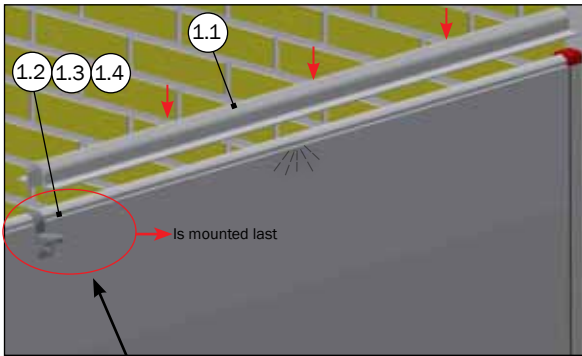
A V-rail on concrete wall



xxxx - Item no. depends on flexcover model

V-RAIL ON WALL			
No.	PCS.	ITEM No.	DESCRIPTION
1	1	XXXX	V-RAIL F/xxx CM FLEXCOVER ON WALL
1.1	1	xxxx	V-RAIL FOR FLEXCOVER LENGTH xxx MM
1.2	3	39406050	CONCRETE SCREW 6,5 X 50 STAINLESS STEEL

B
Hat profile

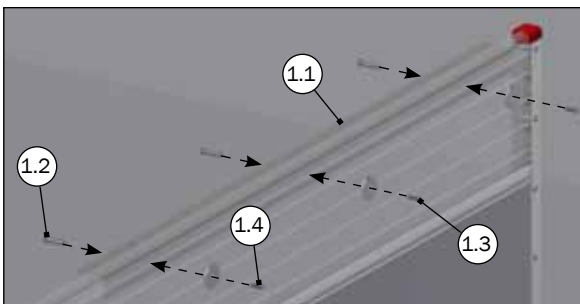


xxxx - Item no. depends on flexcover model

HAT PROFILE FOR STRAIGHT FLEXCOVER			
No.	PCS.	ITEM No.	DESCRIPTION
1	1	XXXX	HAT PROFILE FOR STRAIGHT FLEXCOVER
1.1	1	xxxx	HAT PROFILE FLEXCOVER LENGTH xxx MM
1.2	1	30372	BRACE HAT PROFILE FLEXCOVER
1.3	1	39106020	CONNECTION SCREW M6X20 STAINLESS TORX 30
1.4	1	39206037	SPLICING SLEEVE M6X37 STAINLESS TORX 30

For mounting of reinforcement look at page 7

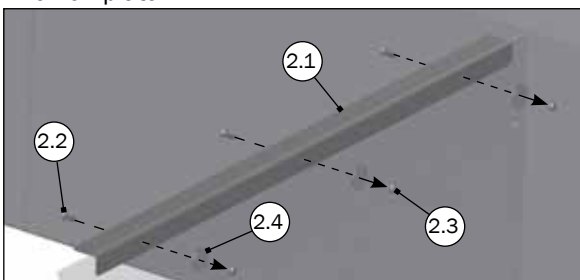
C
V-rail on board profile



xxxx - Item no. depends on flexcover model

V-RAIL ON BOARD PROFILE			
No.	PCS.	ITEM No.	DESCRIPTION
1	1	XXXX	V-RAIL FLEXCOVER ON BOARD PROFILE
1.1	1	xxxx	V-RAIL FOR FLEXCOVER LENGTH xxx MM
1.2	3	39106020	CONNECTION SCREW M6X20 STAINLESS TORX 30
1.3	3	39206037	SPLICING SLEEVE M6X37 STAINLESS TORX 30
1.4	3	20037	MASTER CLAMP WASHER Ø10,5/45 1,5 A2

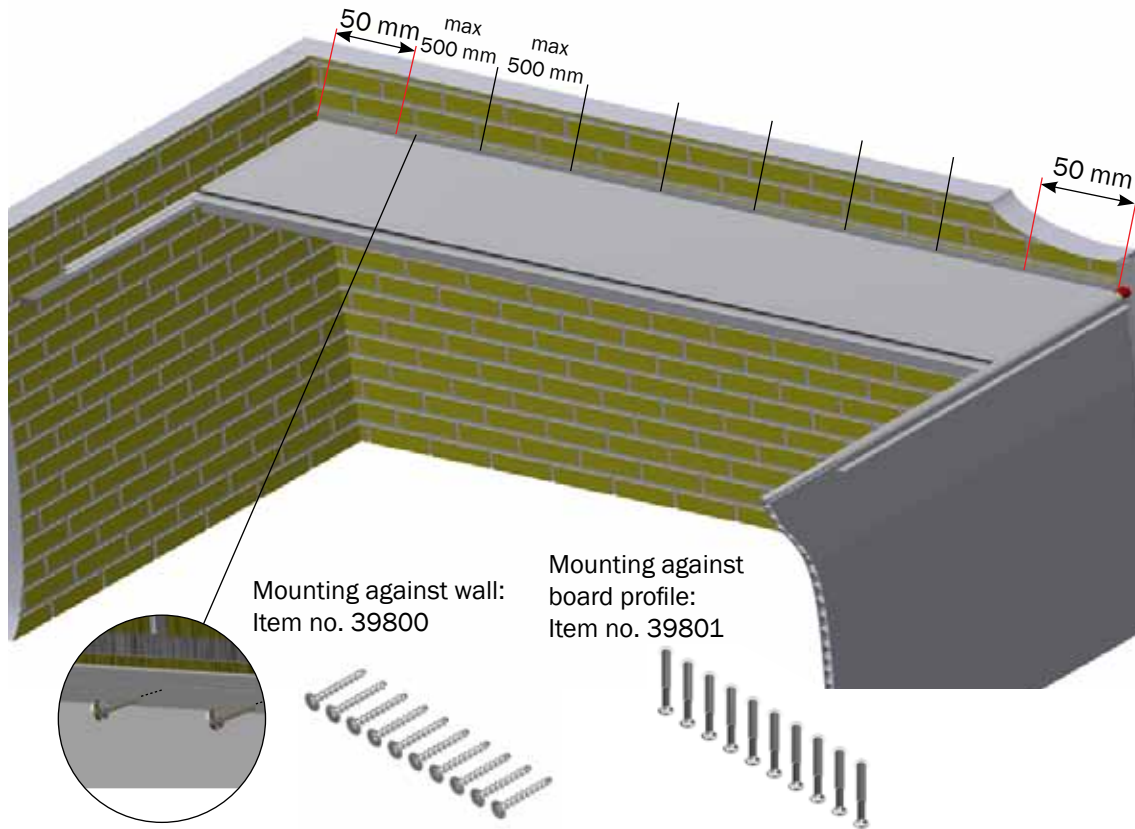
V-rail on plate



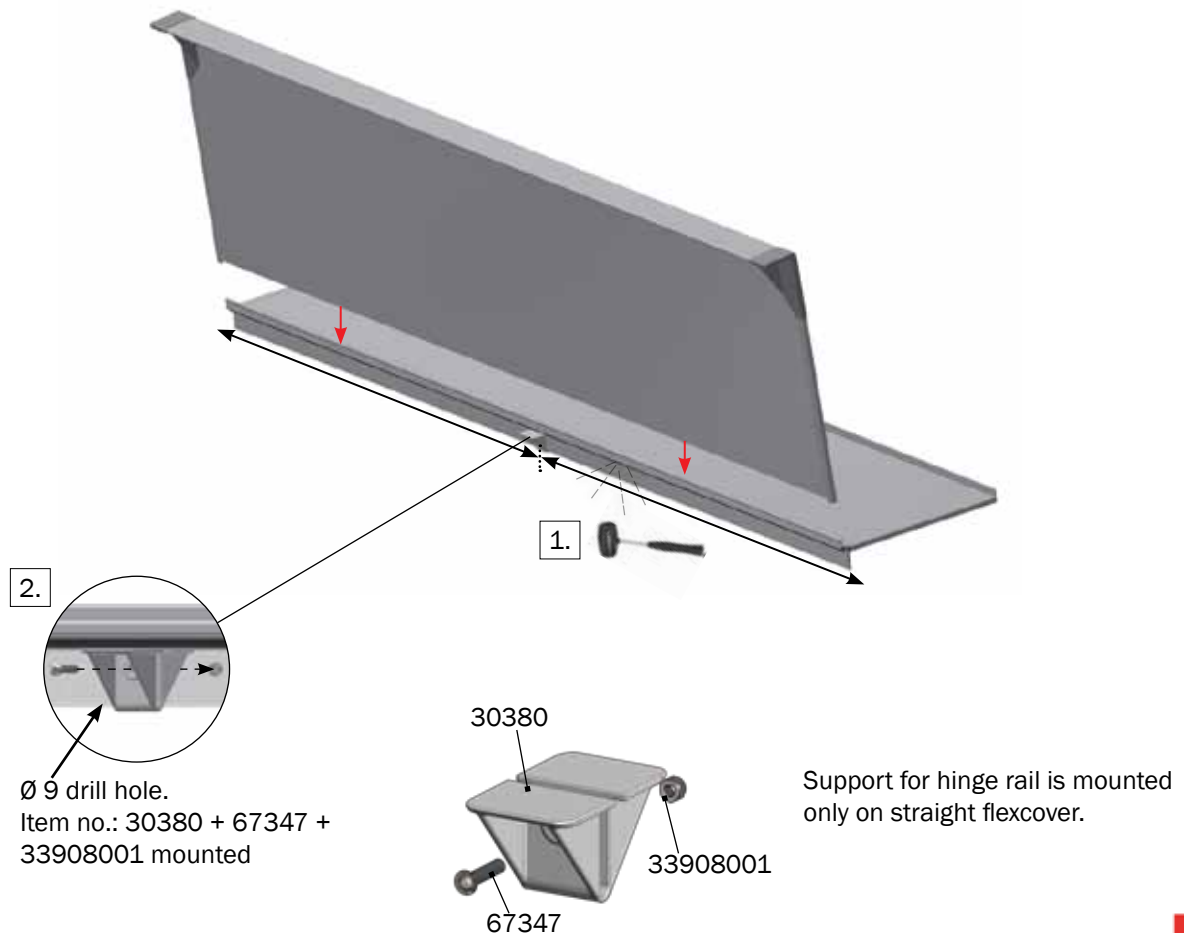
V-RAIL ON PLATE			
No.	PCS.	ITEM No.	DESCRIPTION
2	1	XXXX	V-RAIL FLEXCOVER ON PLATE
2.1	1	xxxx	V-RAIL FOR FLEXCOVER LENGTH xxx MM
2.2	3	30308025	SET SCREW M8X25 A2 DIN 933
2.3	3	33908001	LOCK NUT M8 A2 DIN 985
2.4	3	35600058	NUT WASHER Ø8X8,4/24/2 A2 DIN9021

Mounting against wall/board profile

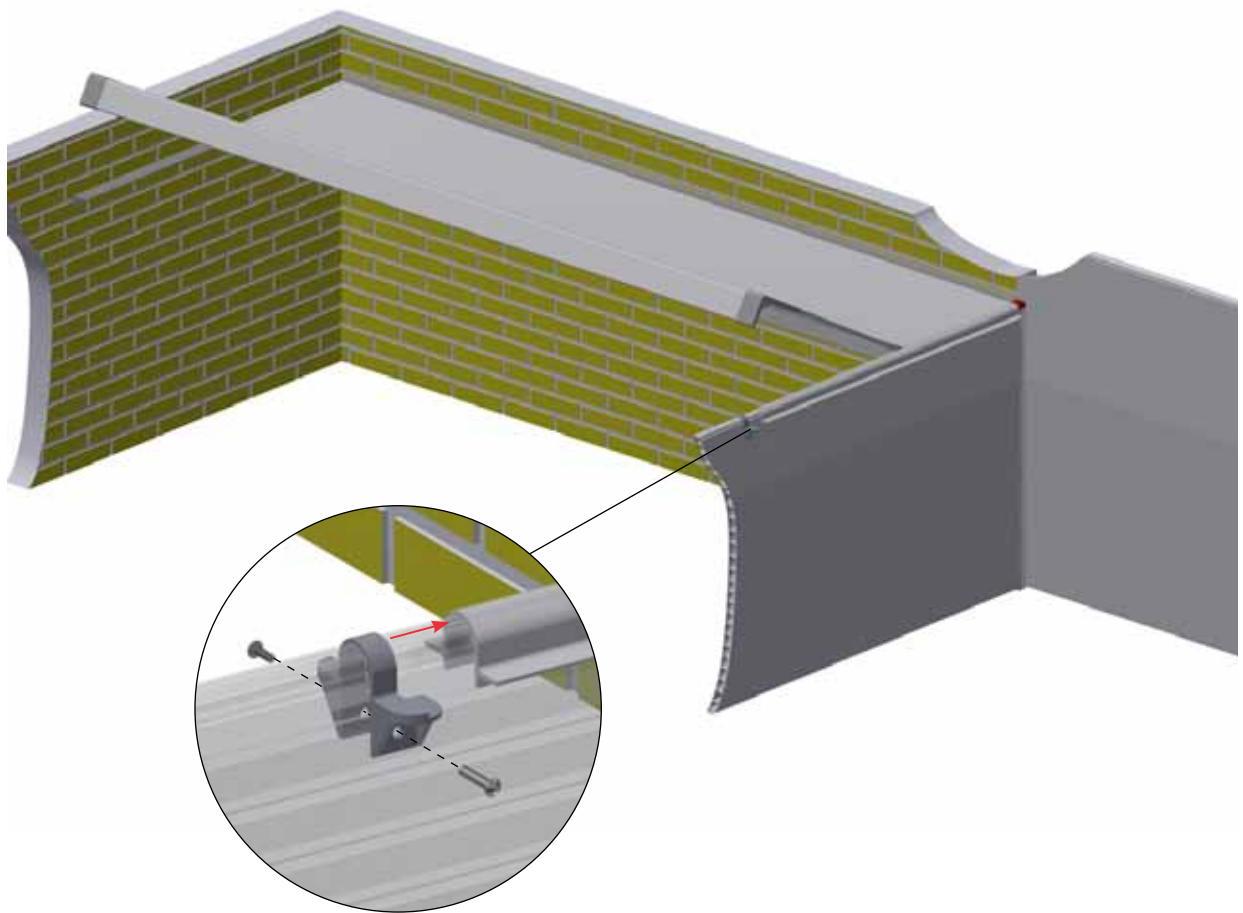
4 Mounting of fixed parts in the pen towards the wall / board profile (STEP 1)



5 Mounting of tilting part in the pen (STEP 2)

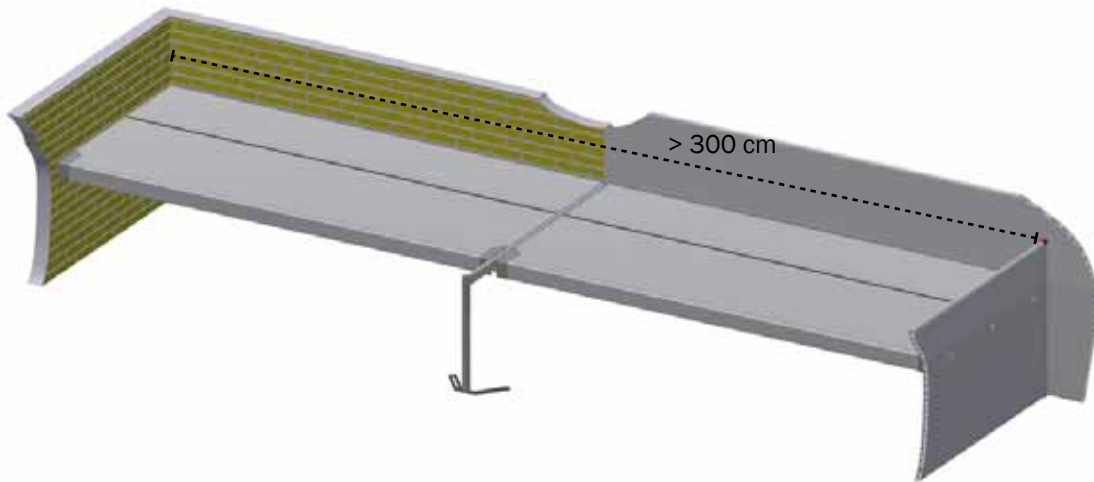


Mounting of reinforcement for hat profile



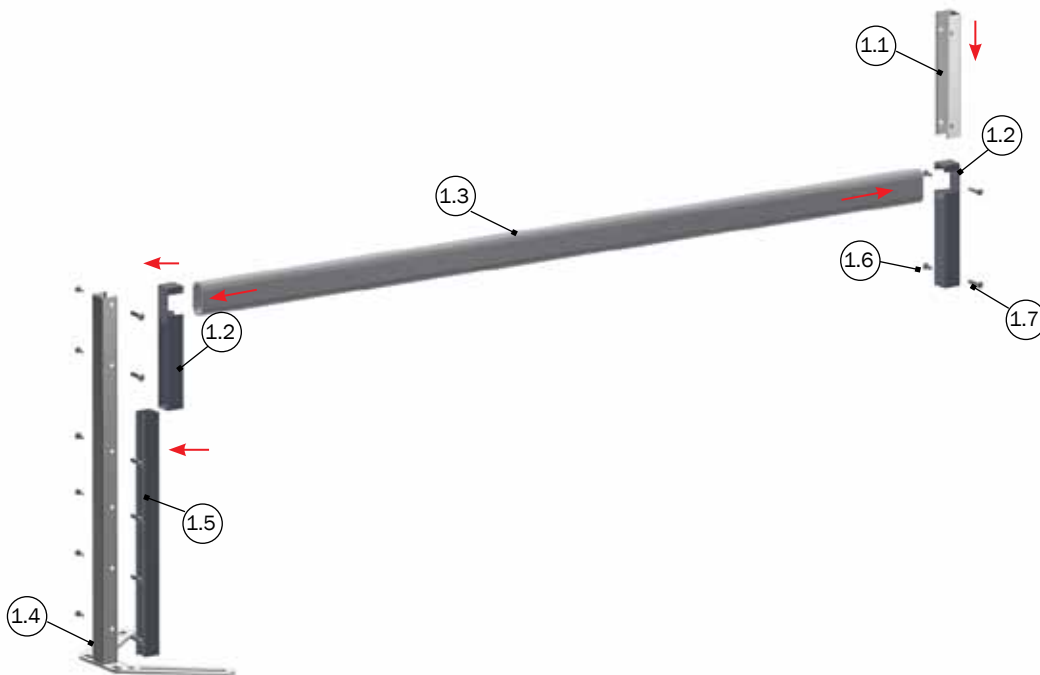
Assembly of support for double flexcover

Support for double Flexcover should be mounted, if Flexcover length is more then 3 meter.



Support for double Flexcover - overview

3.



* Adjusted according to Flexcover depth

SUPPORT FOR DOUBLE FLEXCOVER			
No.	PCS.	ITEM No.	DESCRIPTION
1	1	3100314	SUPPORT FOR DOUBLE FLEXCOVER
1.1	1	3150314	UPROFILE H:252 MM
1.2	2	8500154	INSERT FOR SINGLE 70X35 MM BOARD, STRAIGHT
*1.3	1	9340350	BOARD PROFILE 70X35 OVAL SPEC.LENGTH, PRICE PER METER
1.4	1	3250101	POST FOR CLEAN-O-FLEX H750 H
1.5	1	9340400	PVC PROFILE FOR LAMINATE PLATE, PRICE PER. METER
1.6	8	39106020	CONNECTION SCREW M6X20 STAINLESS TORX 30
1.7	8	39206037	SPLICING SLEEVE M6X37 STAINLESS TORX 30

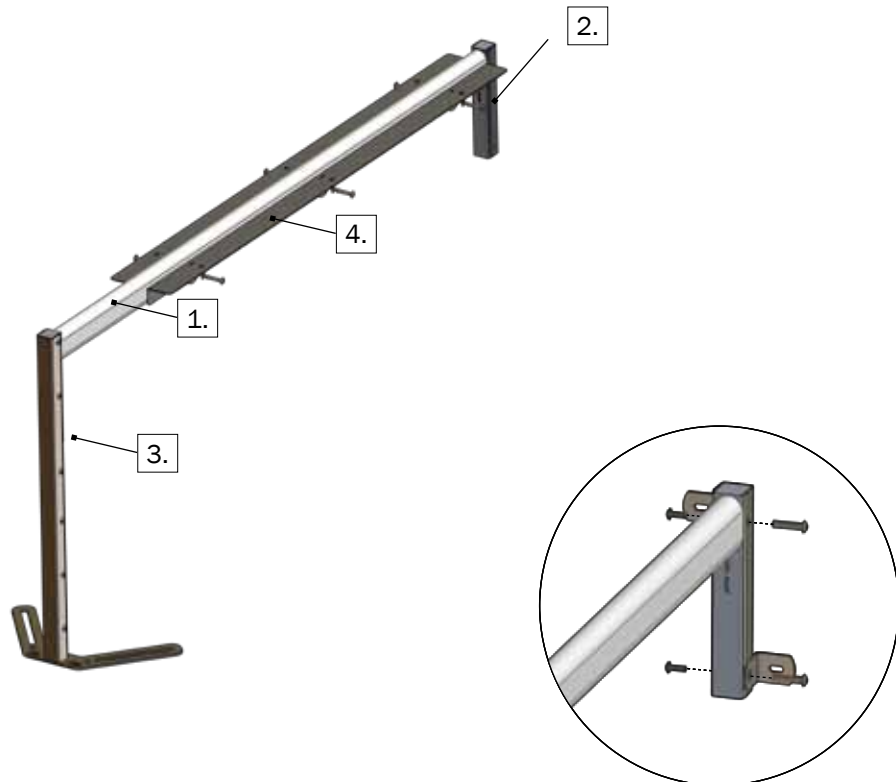
Assembly of support for double flexcover

1

Board profile 70x35 oval on support for double Flexcover should be cut according to the Flexcover depth.

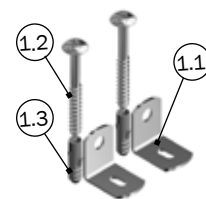
Cutting length to Board profile 70x35 oval

Flexcover depth	Board profile oval length
85 cm	95 cm
110 cm	120 cm
116 cm	126 cm
135 cm	145 cm
160 cm	170 cm

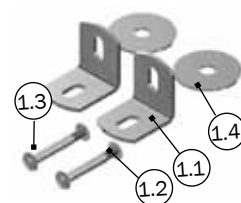


2.

U-POST AGAINST WALL			
No.	PCS.	ITEM No.	DESCRIPTION
1	1	38520	MOUNT KIT FOR U-POST AGAINST WALL
1.1	1	30906	WALL BRACKET ANGLE/PANEL
1.2	2	67444	10 X 70 BUTTON HEAD TORX 50 STAINLESS STEEL
1.3	1	39900001	WALL PLUG 12X60 MM



U-POST SINGLE/(DOUBLE) IN BOARD PROFILE			
No.	PCS.	ITEM No.	DESCRIPTION
1	1(2)	38518	MOUNTING KIT F/U-POST H50 SINGLE ON BOARDPROFILE
1.1	2(4)	30900	WALL BRACKET SMALL
1.2	2(4)	39106020	CONNECTION SCREW M6X20 STAINLESS TORX 30
1.3	2(4)	39206037	SPLICING SLEEVE M6X37 STAINLESS TORX 30
*1.4	2(4)	20037	MASTER CLAMP WASHER Ø10,5/45 1,5 A2



* Pos. no 1.4 is not in use when mounting u-post double.

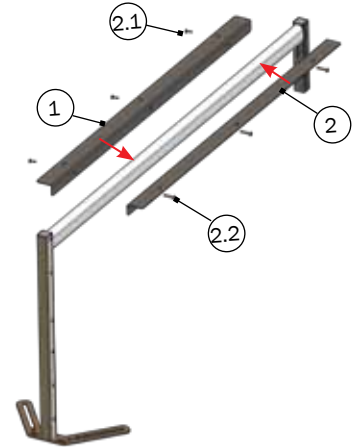
Assembly of support for double flexcover

4.

V-RAIL FOR FLEXCOVER BOARD PROFILE IN ALL SIZES		
SALES KIT ITEM No.	DESCRIPTION	LOOSE ANGLE ITEM No.
31392	V-RAIL F/85 CM FLEXCOVER ON BOARD PROFILE	32564
31386	V-RAIL F/110 CM FLEXCOVER ON BOARD PROFILE	32558
31384	V-RAIL F/116 CM FLEXCOVER ON BOARD PROFILE	32568
31388	V-RAIL F/135 CM FLEXCOVER ON BOARD PROFILE	32549
31390	V-RAIL F/160 CM FLEXCOVER ON BOARD PROFILE	32562

xxxx - Item no. depends on flexcover model
 * Pos. no. 2.3 is not in use.

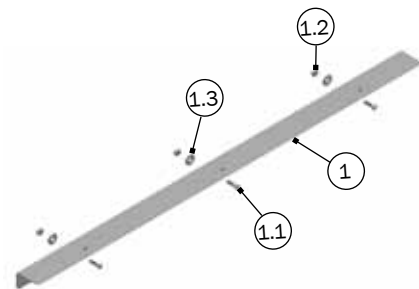
V-RAIL FOR DOUBLE FLEXCOVER			
No.	PCS.	ITEM No.	DESCRIPTION
1	1	XXXXX	V-RAIL FLEXCOVER XX CM
2	1	XXXXX	V-RAIL F/xx CM FLEXCOVER ON BOARDPROFILE
2.1	3	39106020	CONNECTION SCREW M6X20 STAINLESS TORX 30
2.2	3	39206037	SPLICING SLEEVE M6X37 STAINLESS TORX 30
*2.3	3	20037	MASTER CLAMP WASHER Ø10, 5/45 1,5 A2



V-RAIL FOR FLEXCOVER SINGLE-PLATE IN ALL SIZES	
ITEM No.	DESCRIPTION
4900792	V-RAIL F/85 CM FLEXCOVER ON PLATE
4900786	V-RAIL F/110 CM FLEXCOVER ON PLATE
4900784	V-RAIL F/116 CM FLEXCOVER ON PLATE
4900788	V-RAIL F/135 CM FLEXCOVER ON PLATE
4900790	V-RAIL F/160 CM FLEXCOVER ON PLATE

xxxx - Item no. depends on flexcover model

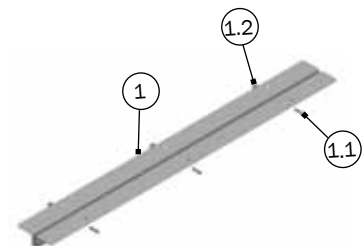
V-RAIL FOR FLEXCOVER SINGLE-PLATE			
No.	PCS.	ITEM No.	DESCRIPTION
1	1	XXXXX	V-RAIL FLEXCOVER XX CM
1.1	3	30308025	SET SCREW M8X25 A2 DIN 933
1.2	3	33908001	LOCK NUT M8 A2 DIN 985
1.3	3	35600058	NUT WASHER Ø8X8,4/24/2 A2 DIN9021



V-RAIL FOR FLEXCOVER DOUBLE-PLATE IN ALL SIZES	
ITEM No.	DESCRIPTION
4900778	V-RAIL F/85 CM FLEXCOVER ON PLATE, DOUBLE
4900775	V-RAIL F/110 CM FLEXCOVER ON PLATE, DOUBLE
4900781	V-RAIL F/116 CM FLEXCOVER ON PLATE, DOUBLE
4900776	V-RAIL F/135 CM FLEXCOVER ON PLATE, DOUBLE
4900777	V-RAIL F/160 CM FLEXCOVER ON PLATE, DOUBLE

xxxx - Item no. depends on flexcover model

V-RAIL FOR FLEXCOVER DOUBLE-PLATE			
No.	PCS.	ITEM No.	DESCRIPTION
1	2	XXXXX	V-RAIL FLEXCOVER XX CM
1.1	3	30308025	SET SCREW M8X25 A2 DIN 933
1.2	3	33908001	LOCK NUT M8 A2 DIN 985



FLEXCOVER - sloped

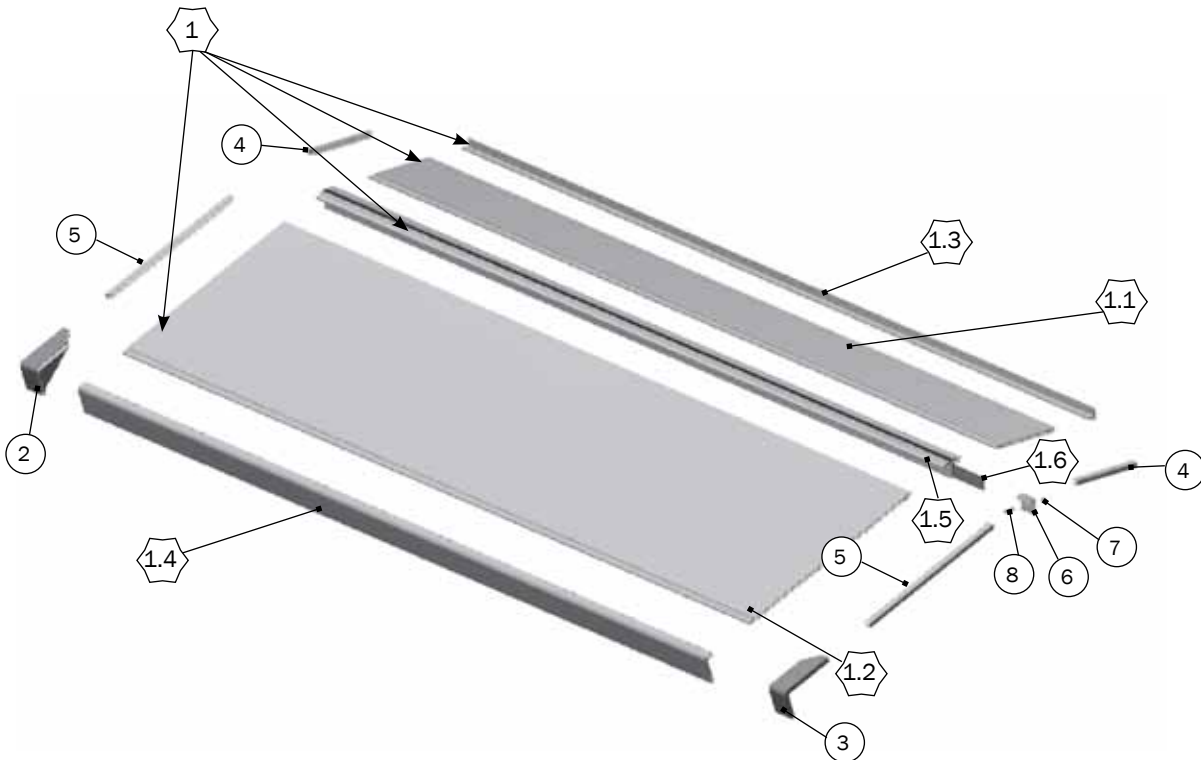
Assembly of 2-piece sloped Flexcover with fixed measurements

NB!

Flexcover parts are delivered unassembled.

Additional accessories needed:

1 piece. PVC glue 0,5 kg to 25 covers** (Part no. 23900112)



** - Glue will be used to position 2;3;4;5.

xxxx - Item no. depends on flexcover model

PARTS LIST			
No.**	PCS.	ITEM No.	DESCRIPTION
		XXXXX	FLEXCOVER TWO-PIECE SLOPED xx/xx DEPTH xxx CM xxxx - xxxx MM
①	1	xxxx	FLEXCOVER 15 MM BOARD PROFILE
1.1	1	xxxx	BOARD PROFILE 15 MM FLEXCOVER
1.2	1	xxxx	BOARD PROFILE 15 MM FLEXCOVER
1.3	1	xxxx	WALL RAIL FOR 15 MM
1.4	1	xxxx	FRONT RAIL FOR 15 MM FLEXCOVER
1.5	1	xxxx	HINGE RAIL FOR 15 MM FLEXCOVER
1.6	1	xxxx	STIFFENING HINGE RAIL FLEXCOVER
2	1	8500263	CAP FRONT LEFT FLEXCOVER VER2
3	1	8500264	CAP FRONT RIGHT FLEXCOVER VER2
4	1	xxxx	U-PROFILE FLEXCOVER LENGTH XXX MM
5	1	xxxx	U-PROFILE FLEXCOVER LENGTH XXX MM
6	1	42599	SUPPORT HINGE RAIL FLEXCOVER, SLOPED
7	2	67347	BUTTONHEAD 8 X 35 7380
8	1	33908001	LOCK NUT M8 A2 DIN 985

Cutting instructions of sloped Flexcover

Between partition (35 mm panel):

Length of climate cover = Pen width C/C - 55 mm

Length of panel (X) = Length of climate cover - 4mm

Pen against the wall (35 mm panel):

Length of climate cover = Pen width wall to the center of partition - 38 mm

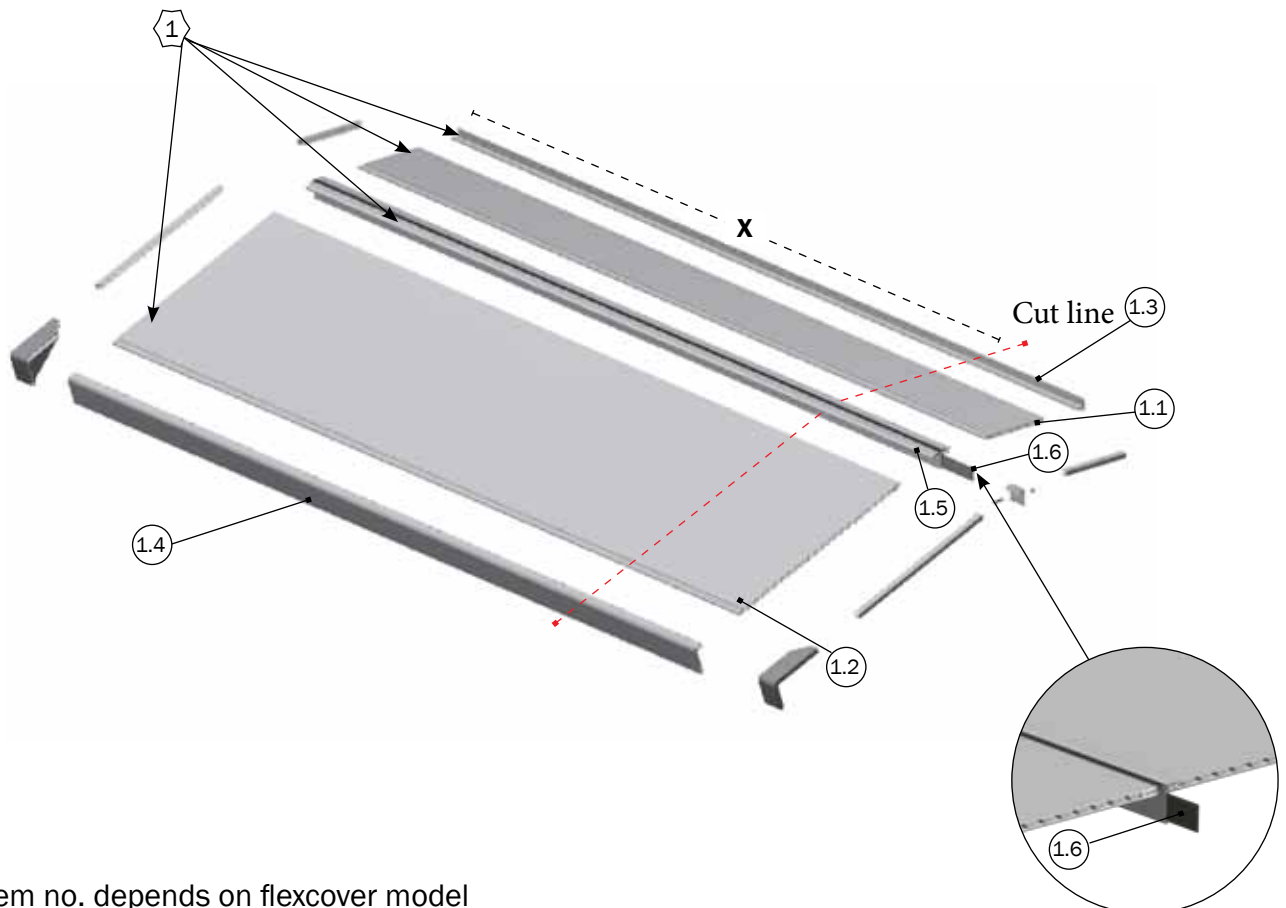
Length of panel (X) length of climate cover - 4 mm

For example

Pen width 2000 mm C/C, 35 mm panel

Length of climate cover = 2000 - 55 = 1945 mm

Length of panel (X) = 1945 - 4 = 1941 mm

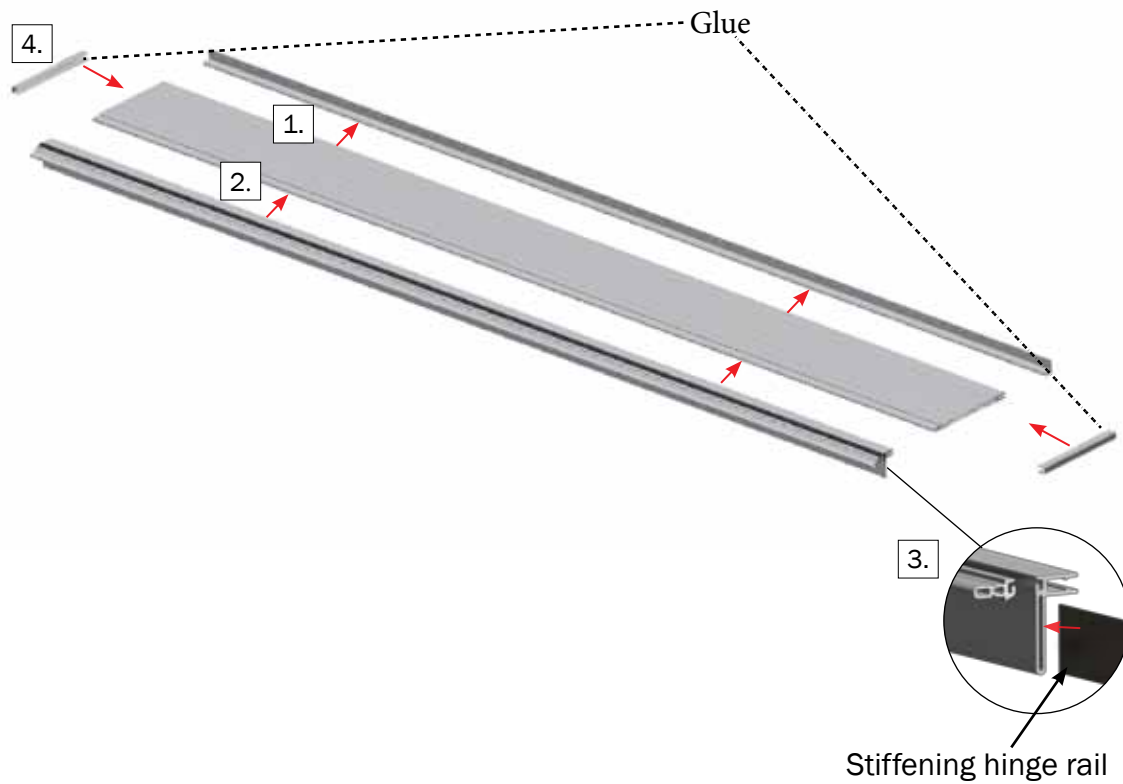


xxxx - Item no. depends on flexcover model

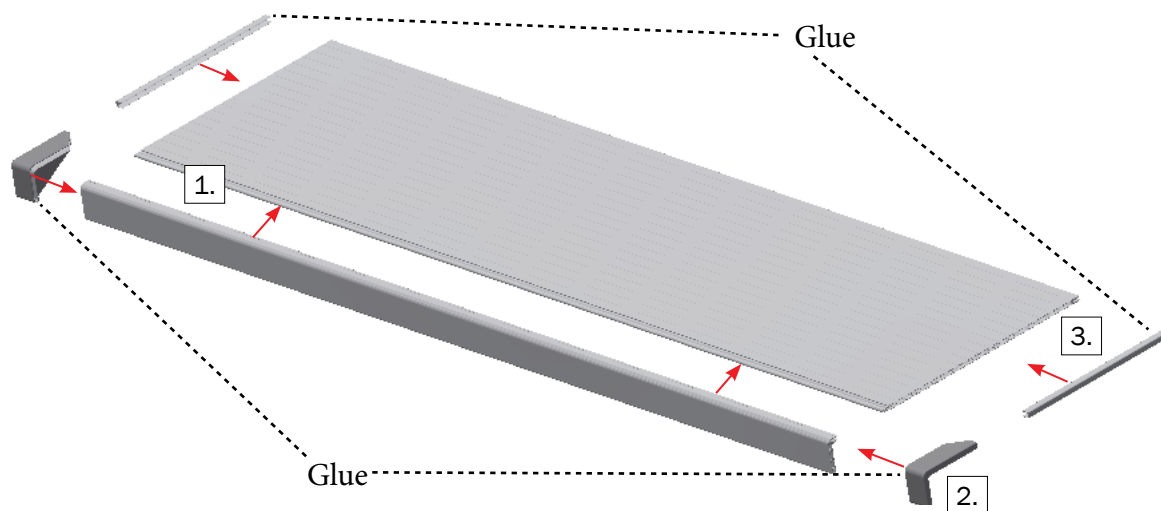
FLEXCOVER 2-PIECES SLOPED			
No.	PCS.	ITEM No.	DESCRIPTION
①	1	XXXX	FLEXCOVER 15 MM BOARD PROFILE
1.1	1	xxxx	BOARD PROFILE 15 MM FLEXCOVER
1.2	1	xxxx	BOARD PROFILE 15 MM FLEXCOVER
1.3	1	xxxx	WALL RAIL FOR 15 MM
1.4	1	xxxx	FRONT RAIL FOR 15 MM FLEXCOVER
1.5	1	xxxx	HINGE RAIL FOR 15 MM FLEXCOVER
1.6	1	xxxx	STIFFENING HINGE RAIL FLEXCOVER

Assembly of FLEXCOVER - sloped

1 Assembly of fixed parts

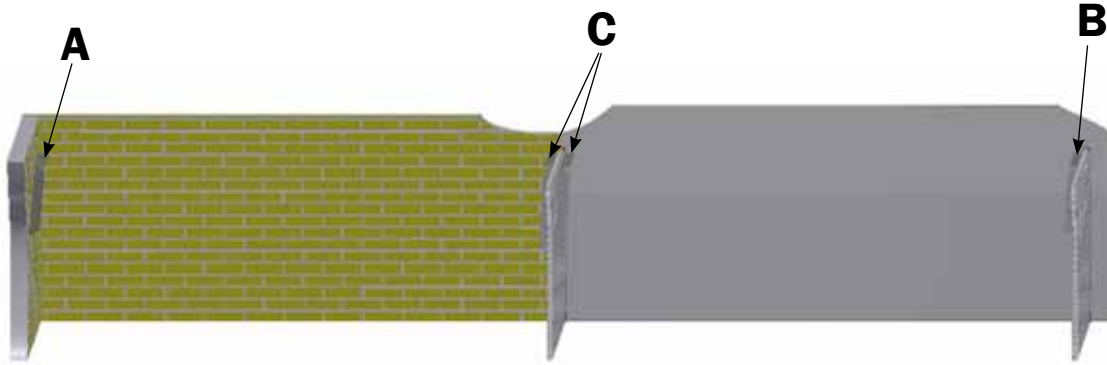


2 Assembly of tilting part



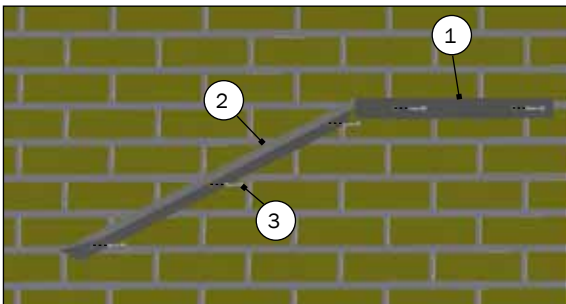
Montage of V-RAIL on wall/board profile

3 Mounting V-rail for sloped Flexcover on wall



A

V-rail for sloped Flexcover on concrete wall



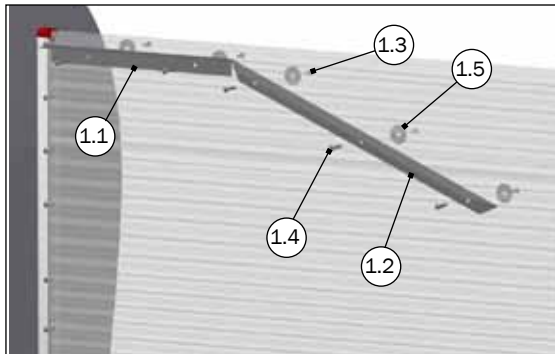
xxxx - Item no. depends on flexcover model

31393/31396 V-RAIL ON WALL FOR FLEXCOVER - SLOPED			
No.	PCS.	ITEM No.	DESCRIPTION
1	1	XXXX	V-RAIL F/xxx CM SLANTING FLEXCOVER SLOPED
1.1	1	XXXX	V-RAIL FOR FLEXCOVER LENGTH xxx MM
1.2	1	32559	V-RAIL F/SLANTED FLEXCOVER L=790 MM
1.3	5	39406050	CONCRETE SCREW 6,5 X 50 STAINLESS STEEL
1.4	1	33506011	COLLAR HEAD NUT M6 A2 DIN 6923
1.5	1	39106030	CONNECTION SCREW M6X30 STAINLESS TORX 30
1.6	1	20037	MASTER CLAMP WASHER Ø10,5/45 1,5 A2

Pos. no. 1.4, 1.5 and 1.6 is first being used, when the fixed part is being mounted on the V-rail.

B

V-rail for sloped Flexcover on board profile single



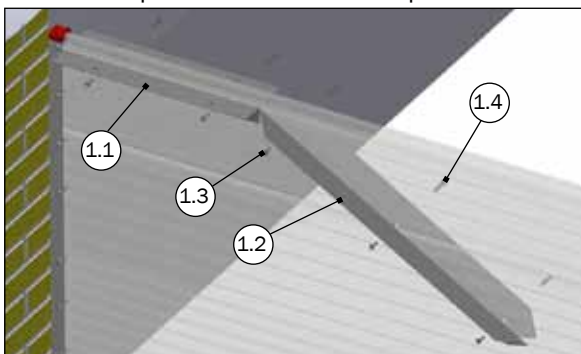
xxxx - Item no. depends on flexcover model

31394/31397 V-RAIL SINGLE ON BOARD PROFIL FOR FLEXCOVER - SLOPED			
No.	PCS.	ITEM No.	DESCRIPTION
1	1	XXXX	V-RAIL F/XXX CM SLANTING FLEXCOVER ON BOARD-PROFILE, SINGLE
1.1	1	XXXX	V-RAIL FOR FLEXCOVER LENGTH xxx MM
1.2	1	32559	V-RAIL F/SLANTED FLEXCOVER L=790 MM
1.3	5	39106020	CONNECTION SCREW M6X20 STAINLESS TORX 30
1.4	5	39206037	SPLICING SLEEVE M6X37 STAINLESS TORX 30
1.5	6	20037	MASTER CLAMP WASHER Ø10,5/45 1,5 A2
1.6	1	39106030	CONNECTION SCREW M6X30 STAINLESS TORX 30
1.7	1	33506011	COLLAR HEAD NUT M6 A2 DIN 6923

Pos no. 1.5 (1 stk), 1.6 og 1.7 is first being used, when the fixed part is being mounted on the V-rail.

C

V-rail for sloped Flexcover on Board profile double



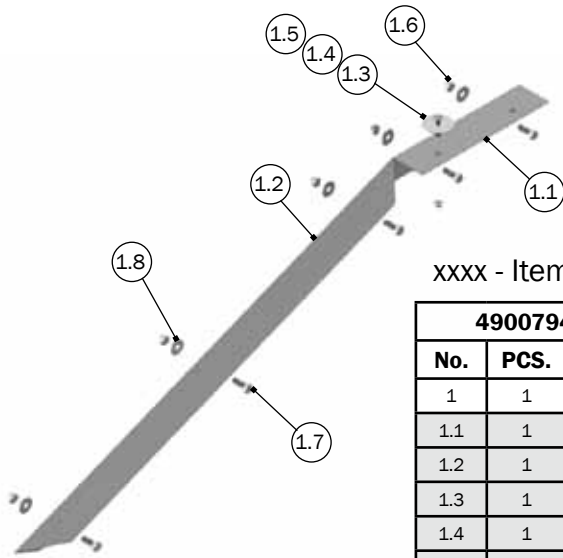
xxxx - Item no. depends on flexcover model

31395/31398 V-RAIL DOUBLE ON BOARD PROFILE FOR FLEXCOVER - SLOPED			
No.	PCS.	ITEM No.	DESCRIPTION
1	2	XXXX	V-RAIL F/XXX CM SLANTING FLEXCOVER ON BOARDPROFILE, DOUBLE
1.1	2	XXXX	V-RAIL FOR FLEXCOVER LENGTH xxx MM
1.2	2	32559	V-RAIL F/SLANTED FLEXCOVER L=790 MM
1.3	5	39106020	CONNECTION SCREW M6X20 STAINLESS TORX 30
1.4	5	39206037	SPLICING SLEEVE M6X37 STAINLESS TORX 30
1.5	2	39106030	CONNECTION SCREW M6X30 STAINLESS TORX 30
1.6	2	20037	MASTER CLAMP WASHER Ø10,5/45 1,5 A2
1.7	2	33506011	COLLAR HEAD NUT M6 A2 DIN 6923

Pos. no. 1.5, 1.6 og 1.7 is first being used, when the fixed part is being mounted on the V-rail.

V-RAIL on plate single/double

V-rail for Flexcover sloped, on plate, single

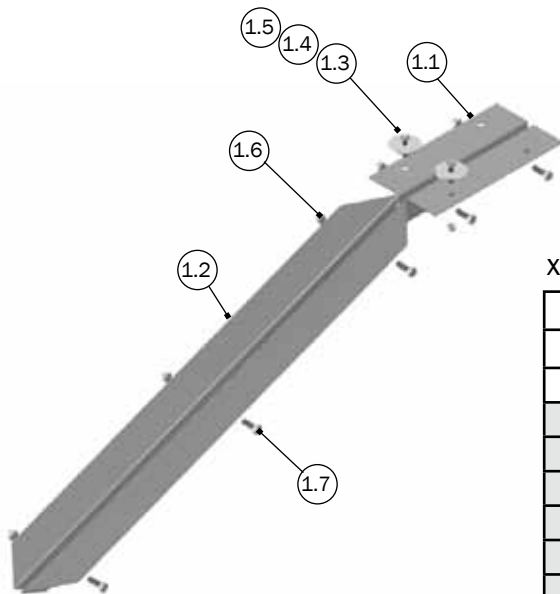


xxxx - Item no. depends on flexcover mode

4900794/4900797 V-RAIL SINGLE ON PLATE FOR FLEXCOVER - SLOPED			
No.	PCS.	ITEM No.	DESCRIPTION
1	1	XXXX	V-RAIL F/xxx CM SLANTING FLEXCOVER SLOPED
1.1	1	XXXX	V-RAIL FOR FLEXCOVER LENGTH xxx MM
1.2	1	32559	V-RAIL F/SLANTED FLEXCOVER L=790 MM
1.3	1	39106030	CONNECTION SCREW M6X30 STAINLESS TORX 30
1.4	1	20037	MASTER CLAMP WASHER Ø10,5/45 1,5 A2
1.5	1	33506011	COLLAR HEAD NUT M6 A2 DIN 6923
1.6	5	33908001	LOCK NUT M8 A2 DIN 985
1.7	5	30308025	SET SCREW M8X25 A2 DIN 933
1.8	5	35600058	NUT WASHER Ø8X8,4/24/2 A2 DIN9021

Pos. no. 1.3, 1.4 and 1.5 is being used, when the fixed part is being mounted on the V-rail.

V-rail for Flexcover sloped, on plate, double



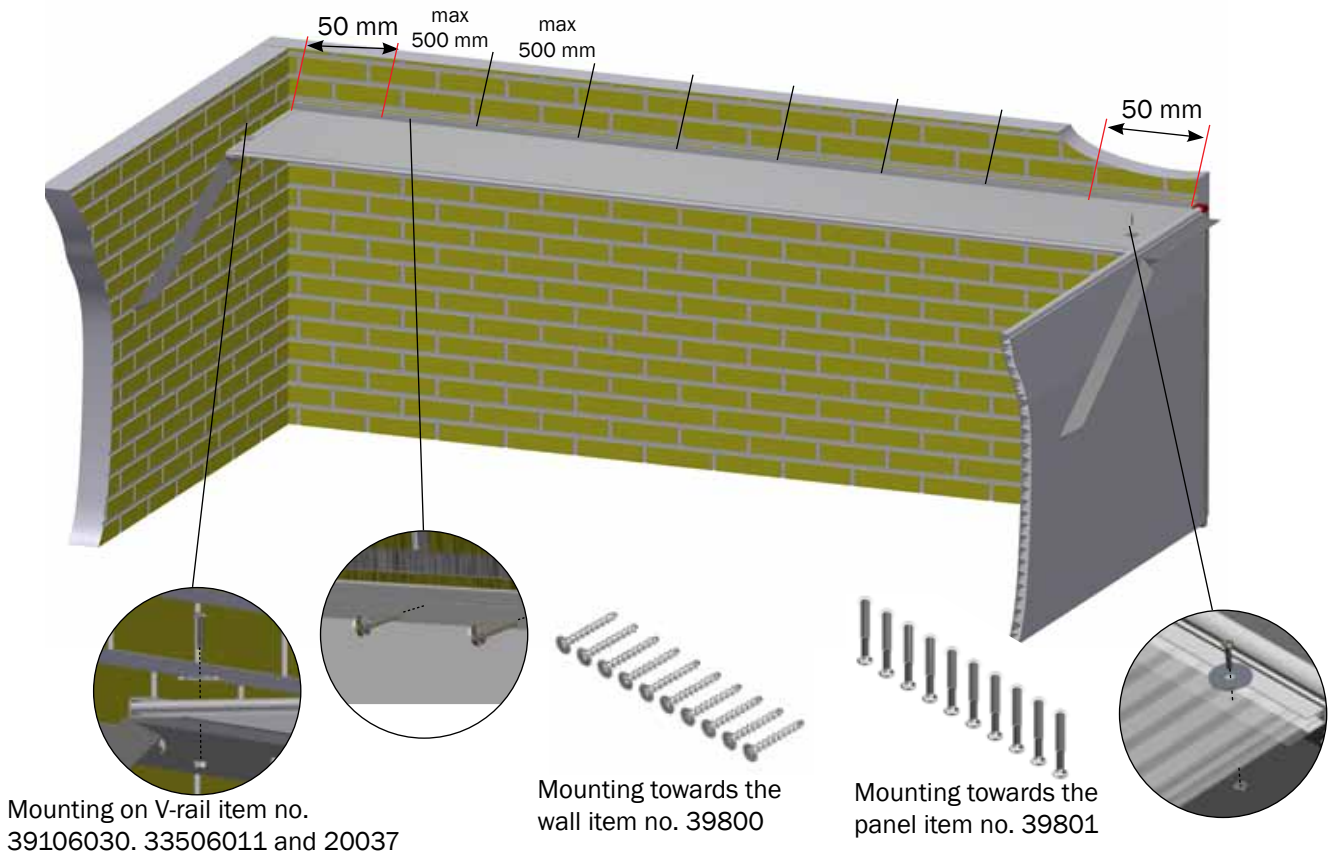
xxxx - Item no. depends on flexcover mode

4900795/4900798 V-RAIL DOUBLE ON PLATE FOR FLEXCOVER - SLOPED			
No.	PCS.	ITEM No.	DESCRIPTION
1	1	XXXX	V-RAIL F/xxx CM SLANTING FLEXCOVER SLOPED
1.1	2	XXXX	V-RAIL FOR FLEXCOVER LENGTH xxx MM
1.2	2	32559	V-RAIL F/SLANTED FLEXCOVER L=790 MM
1.3	2	39106030	CONNECTION SCREW M6X30 STAINLESS TORX 30
1.4	2	20037	MASTER CLAMP WASHER Ø10,5/45 1,5 A2
1.5	2	33506011	COLLAR HEAD NUT M6 A2 DIN 6923
1.6	5	33908001	LOCK NUT M8 A2 DIN 985
1.7	5	30308025	SET SCREW M8X25 A2 DIN 933

Pos. no. 1.3, 1.4 and 1.5 is being used, when the fixed part is being mounted on the V-rail.

Mounting against wall/board profile

4 Mounting of fixed parts in the pen towards the wall / Board profile (STEP 1)



5 Mounting of tilting part in the pen (STEP 2)

