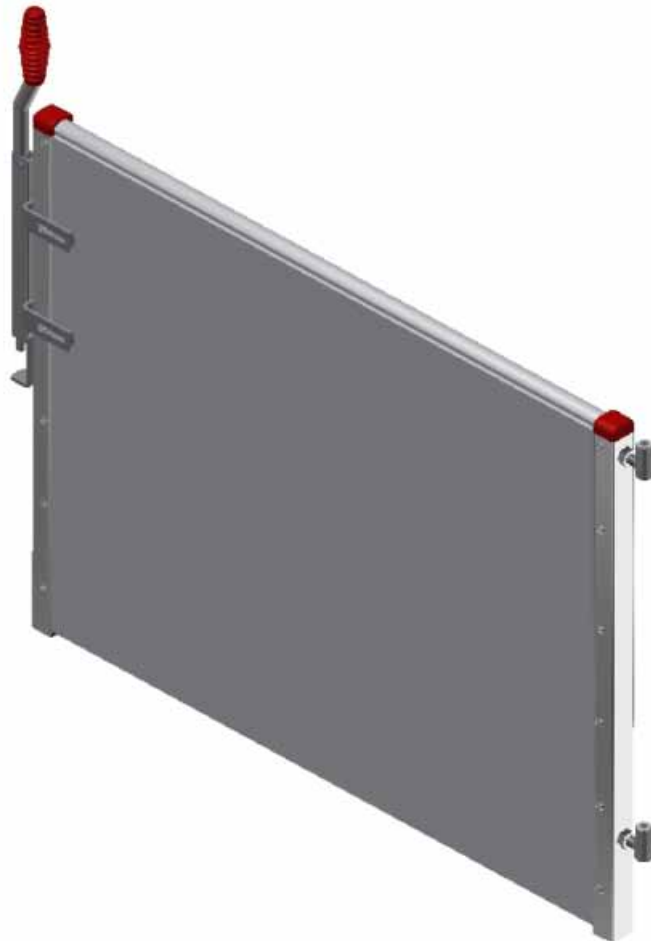


M-6195\_GB

# MOUNTING INSTRUCTION



## BLOCKING GATES



**ACO FUNKI A/S**

Kirkevænget 5  
DK-7400 Herning

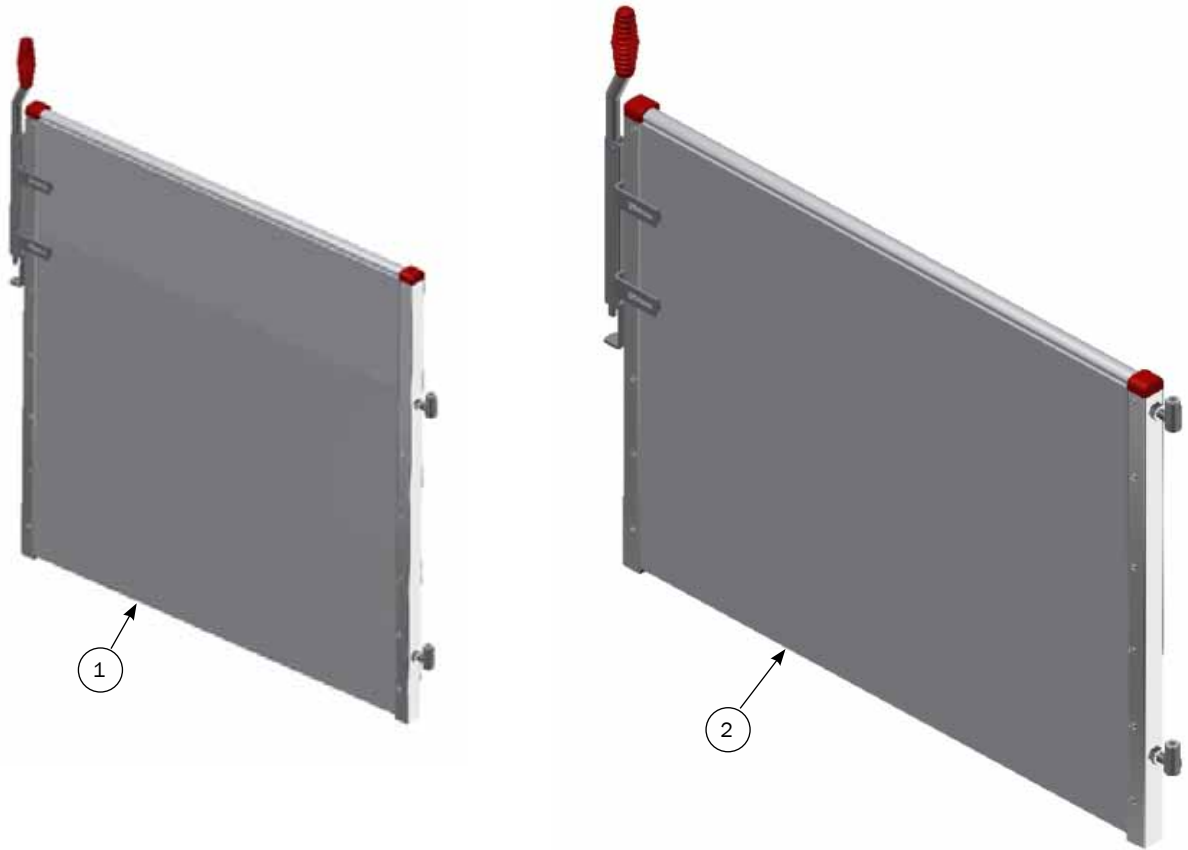
Tel. +45 9711 9600

Fax +45 9711 9677

[www.acofunki.com](http://www.acofunki.com)

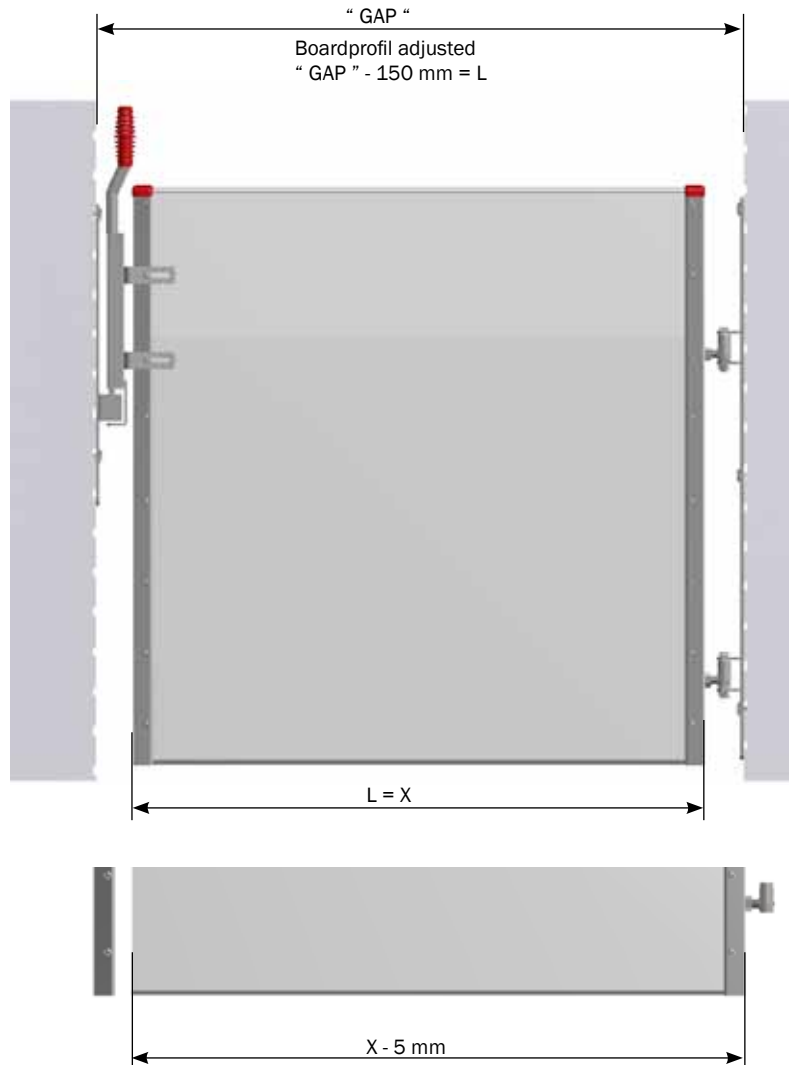
**DANISH DESIGN | GERMAN QUALITY | GLOBAL EXPERIENCE**

## BLOCKING GATE ASSEMBLED



PARTS LIST			
NO.	PCS.	ITEM NO.	DESCRIPTION
1	1	1810733	BLOCKING GATE H100 30-250 CM
2	1	1810723	BLOCKING GATE H75 30-250 CM

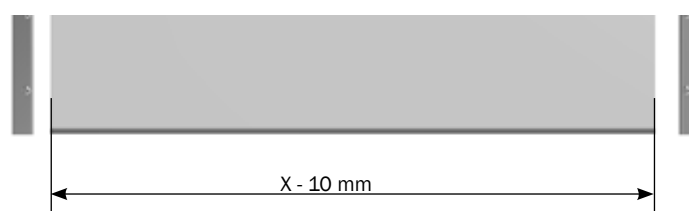
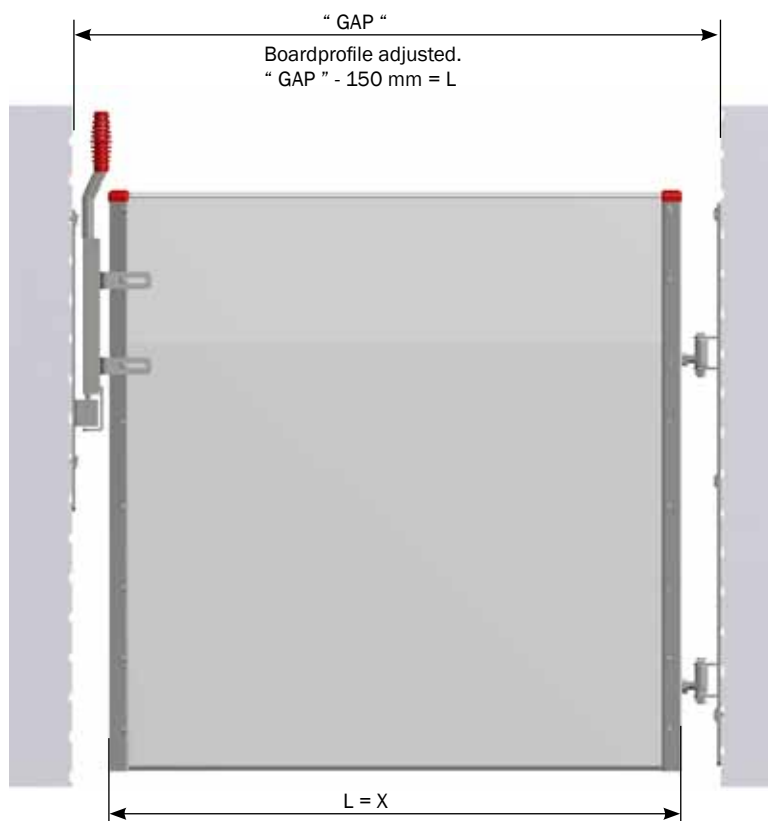
## FOR ADJUSTMENT OF BLOCKING GATE PARTIALLY ASSEMBLED



Apply for the following :

ITEM NO.	DESCRIPTION
1800730	BLOCKING GATE H100 MAX HOLE MEASUREMENTS 120 CM
1800731	BLOCKING GATE H100 MAX HOLE MEASUREMENTS 170 CM
1800732	BLOCKING GATE H100 MAX HOLE MEASUREMENTS 220 CM
1800720	BLOCKING GATE H75 MAX HOLE MEASUREMENTS 120 CM
1800721	BLOCKING GATE H75 MAX HOLE MEASUREMENTS 170 CM
1800722	BLOCKING GATE H75 MAX HOLE MEASUREMENTS 220 CM

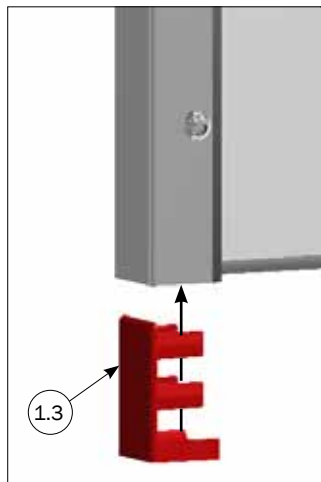
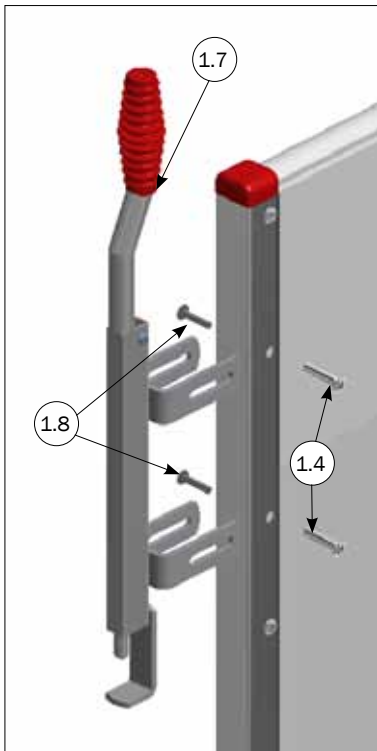
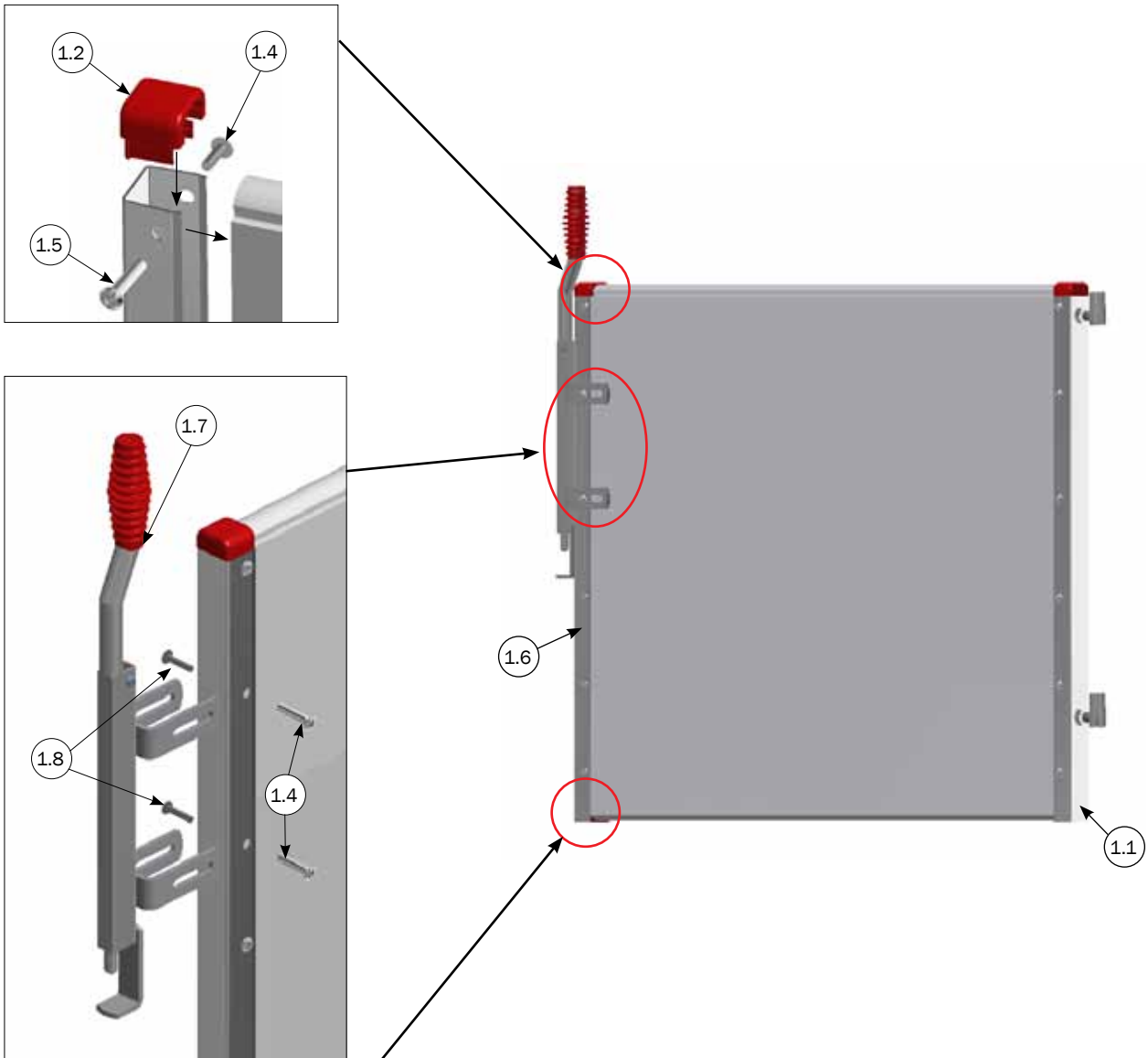
## FOR ADJUSTMENT OF BLOCKING GATE UNASSEMBLED



Apply for the following :

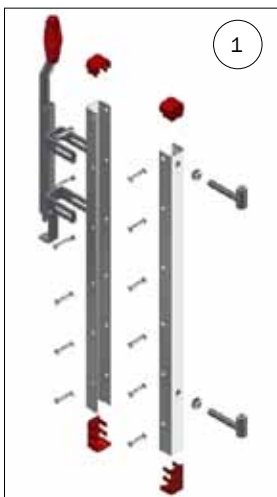
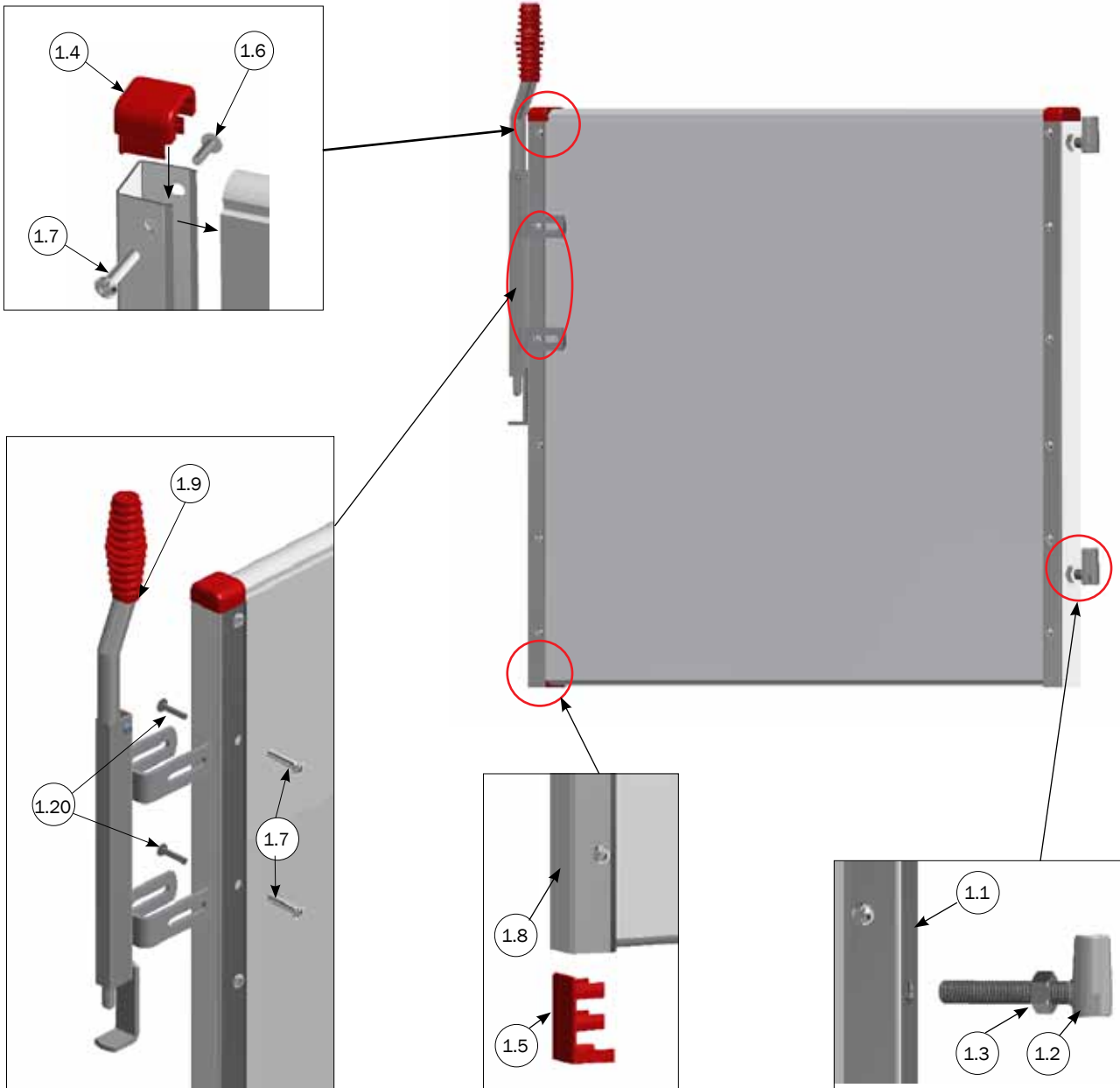
ITEM NO.	DESCRIPTION
1800734	BLOCKING GATE KIT H100
1800724	BLOCKING GATE KIT H75

# BLOCKING GATE 75 CM HIGH PARTIALLY ASSEMBLED



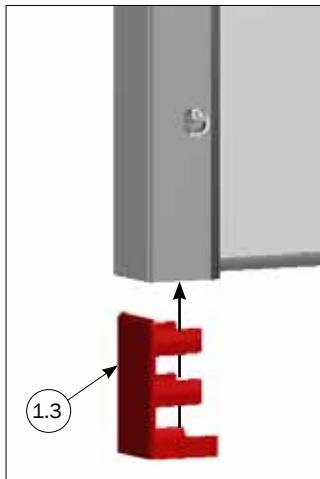
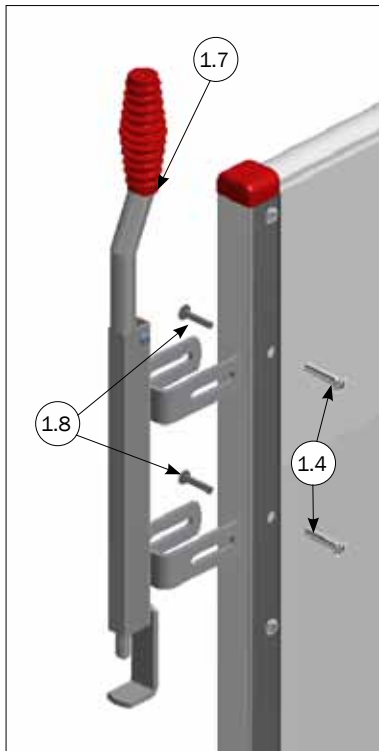
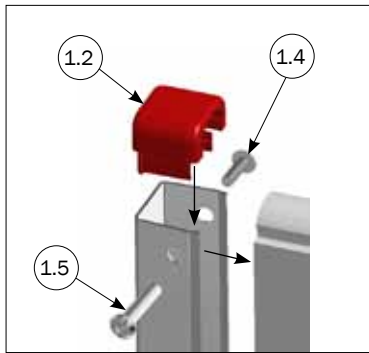
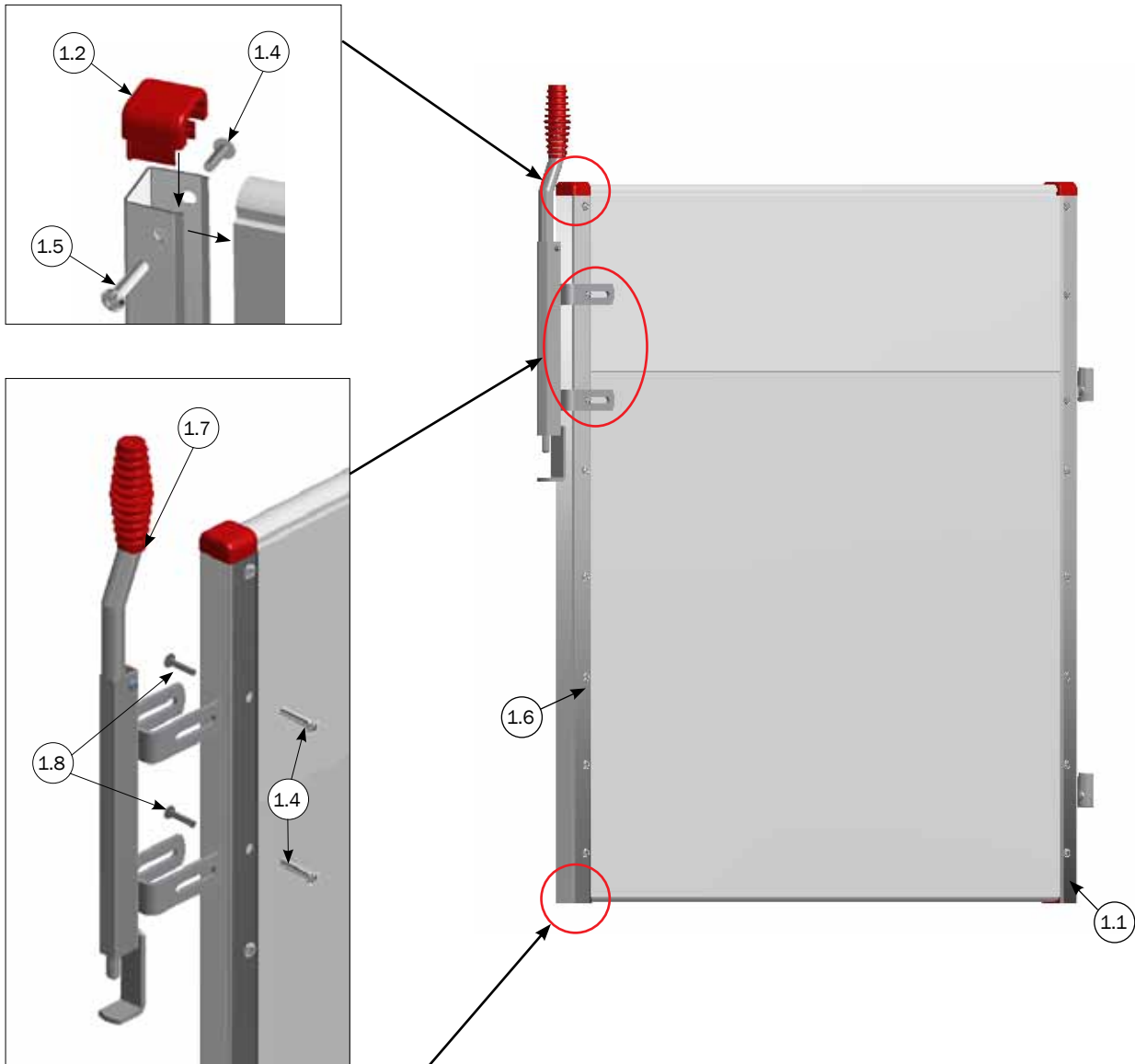
PARTS LIST			
NO.	PCS.	ITEM NO.	DESCRIPTION
		1800722	BLOCKING GATE H75 MAX HOLE MEASUREMENTS 220 CM
		1800721	BLOCKING GATE H75 MAX HOLE MEASUREMENTS 170 CM
1	1	1800720	BLOCKING GATE H75 MAX HOLE MEASUREMENTS 120 CM
1.1	1	1810720	BLOCKING GATE H75 X 100 CM
1.2	1	30001	PLUG PANEL TOP
1.3	1	30013	PLUG PANEL BOTTOM 50 CM/75 CM PANEL
1.4	4	39106020	CONNECTION SCREW M6X20 STAINLESS TORX 30
1.5	6	39206037	SPLICING SLEEVE M6X37 STAINLESS TORX 30
1.6	1	8450581	UPROFILE H753 FOR BLOCKING GATE
1.7	1	1810071	ADJUSTABLE LOCK FOR BLOCKING DOOR
1.8	2	39106030	CONNECTION SCREW M6X30 STAINLESS TORX 30

# BLOCKING GATE 75 CM HIGH UNASSEMBLED



PARTS LIST			
NO.	PCS.	ITEM NO.	DESCRIPTION
1	1	1800724	BLOCKING GATE KIT H75
1.1	1	1850702	UPROFILE H753 WITH NUT
1.2	2	29705HG	INN-O-FLEX STUD BOLT COMPLET
1.3	2	68598	NUT 14 MM SS
1.4	2	30001	PLUG PANEL TOP
1.5	2	30013	PLUG PANEL BOTTOM 50 CM/75 CM PANEL
1.6	10	39106020	CONNECTION SCREW M6X20 STAINLESS TORX 30
1.7	12	39206037	SPLICING SLEEVE M6X37 STAINLESS TORX 30
1.8	1	8450581	UPROFILE H753 FOR BLOCKING GATE
1.9	1	1810071	ADJUSTABLE LOCK FOR BLOCKING DOOR
1.20	2	39106030	CONNECTION SCREW M6X30 STAINLESS TORX 30

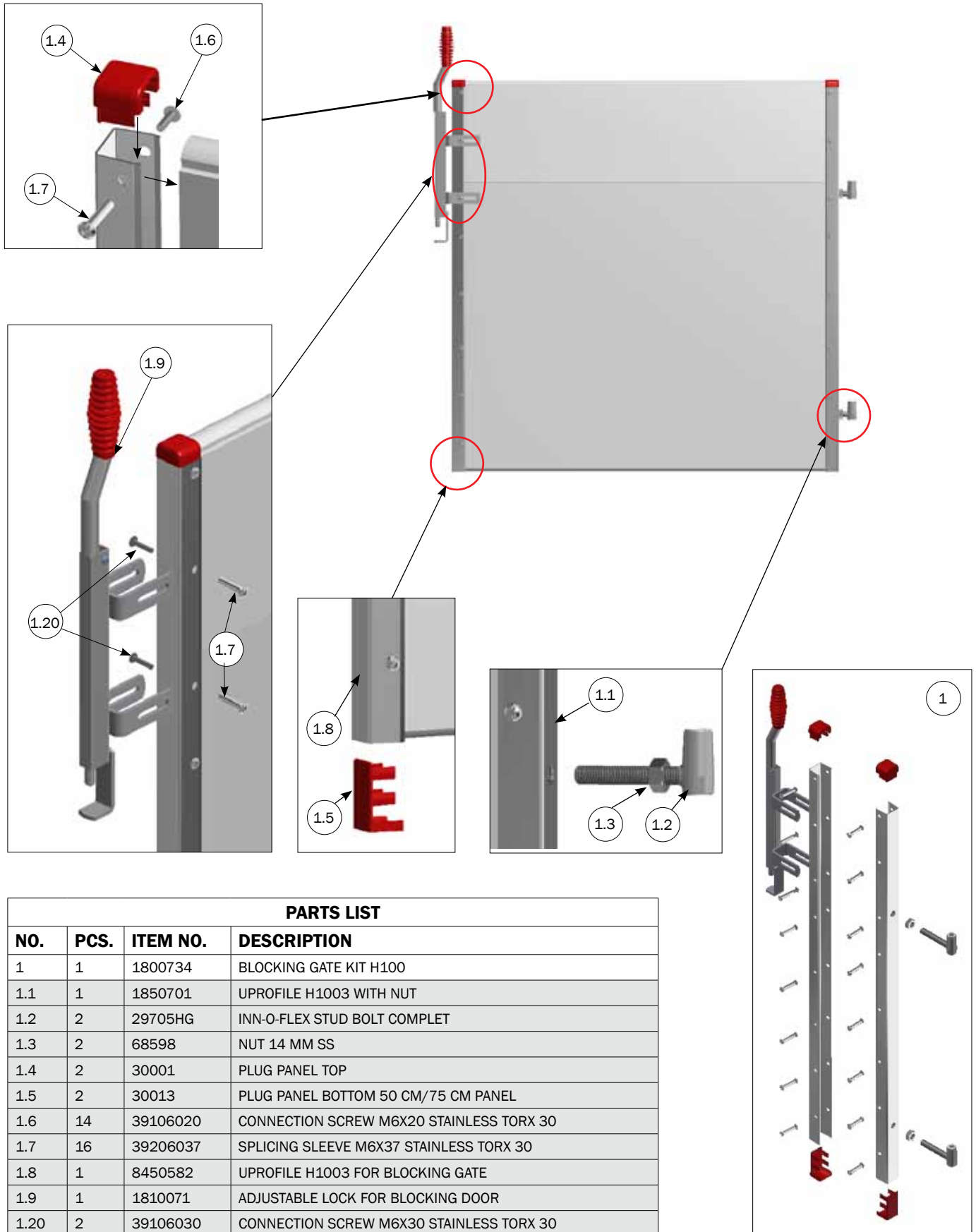
# BLOCKING GATE 100 CM HIGH PARTIALLY ASSEMBLED



## PARTS LIST

NO.	PCS.	ITEM NO.	DESCRIPTION
		1800732	BLOCKING GATE H100 MAX HOLE MEASUREMENTS 220 CM
		1800731	BLOCKING GATE H100 MAX HOLE MEASUREMENTS 170 CM
1	1	1800730	BLOCKING GATE H100 MAX HOLE MEASUREMENTS 120 CM
1.1	1	1810730	BLOCKING GATE H100 X 100 CM
1.2	1	30001	PLUG PANEL TOP
1.3	1	30013	PLUG PANEL BOTTOM 50 CM/75 CM PANEL
1.4	6	39106020	CONNECTION SCREW M6X20 STAINLESS TORX 30
1.5	8	39206037	SPLICING SLEEVE M6X37 STAINLESS TORX 30
1.6	1	8450582	UPROFILE H1003 FOR BLOCKING GATE
1.7	1	1810071	ADJUSTABLE LOCK FOR BLOCKING DOOR
1.8	2	39106030	CONNECTION SCREW M6X30 STAINLESS TORX 30

# BLOCKING GATE 100 CM HIGH UNASSEMBLED

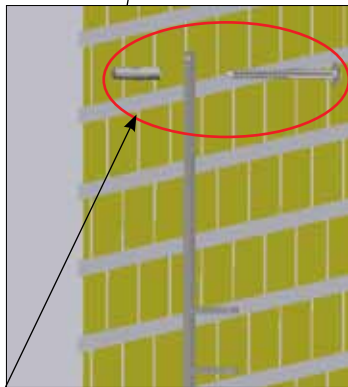
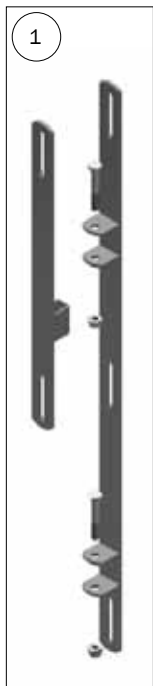
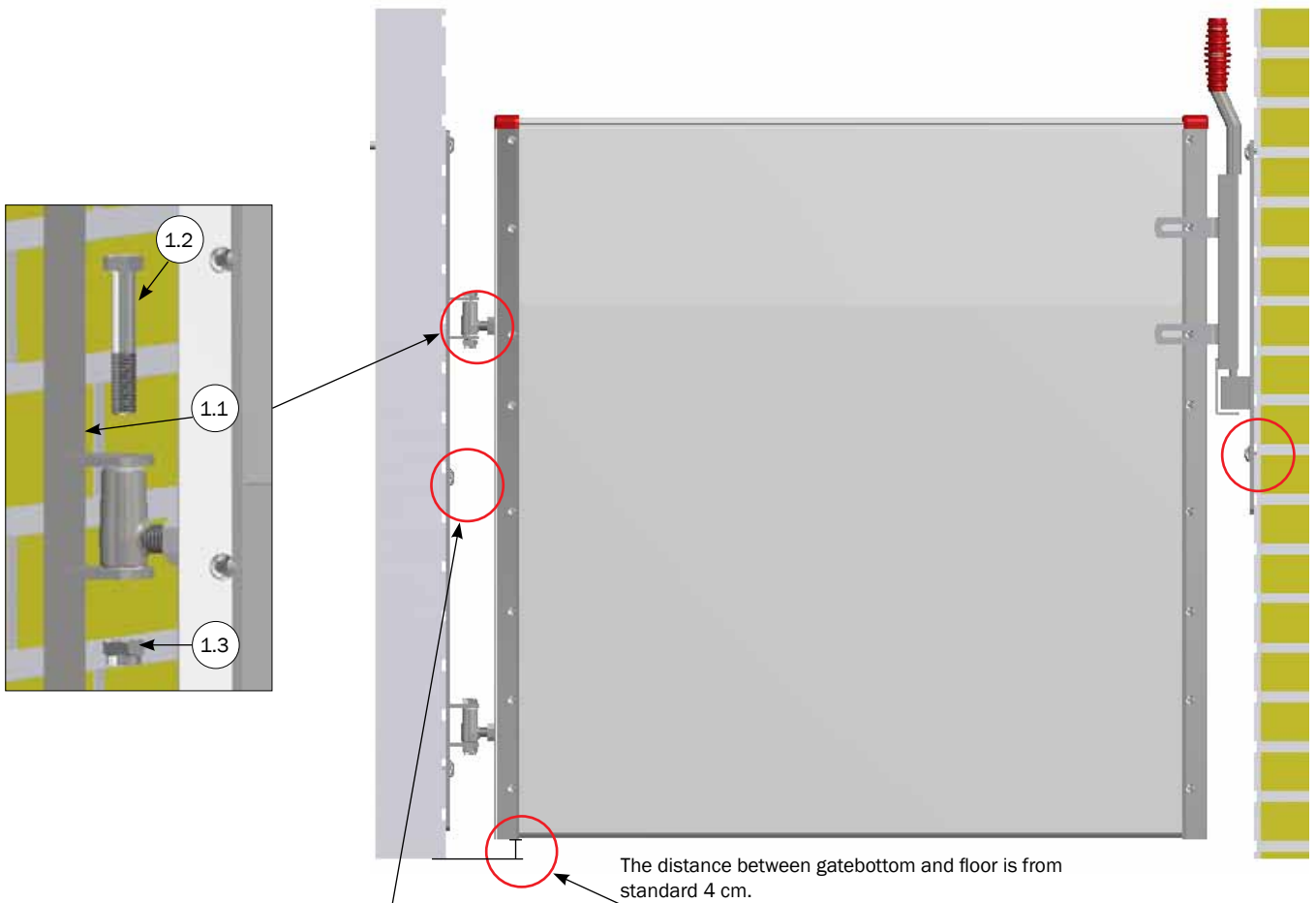


## PARTS LIST

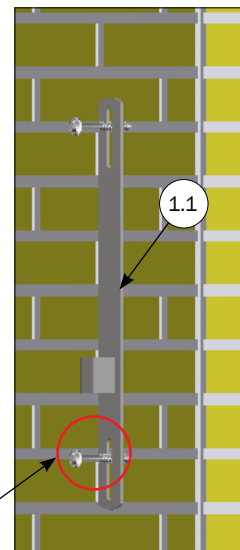
NO.	PCS.	ITEM NO.	DESCRIPTION
1	1	1800734	BLOCKING GATE KIT H100
1.1	1	1850701	UPROFILE H1003 WITH NUT
1.2	2	29705HG	INN-O-FLEX STUD BOLT COMPLET
1.3	2	68598	NUT 14 MM SS
1.4	2	30001	PLUG PANEL TOP
1.5	2	30013	PLUG PANEL BOTTOM 50 CM/75 CM PANEL
1.6	14	39106020	CONNECTION SCREW M6X20 STAINLESS TORX 30
1.7	16	39206037	SPLICING SLEEVE M6X37 STAINLESS TORX 30
1.8	1	8450582	UPROFILE H1003 FOR BLOCKING GATE
1.9	1	1810071	ADJUSTABLE LOCK FOR BLOCKING DOOR
1.20	2	39106030	CONNECTION SCREW M6X30 STAINLESS TORX 30



# MOUNTING OF BLOCKING GATE POST ON WALL

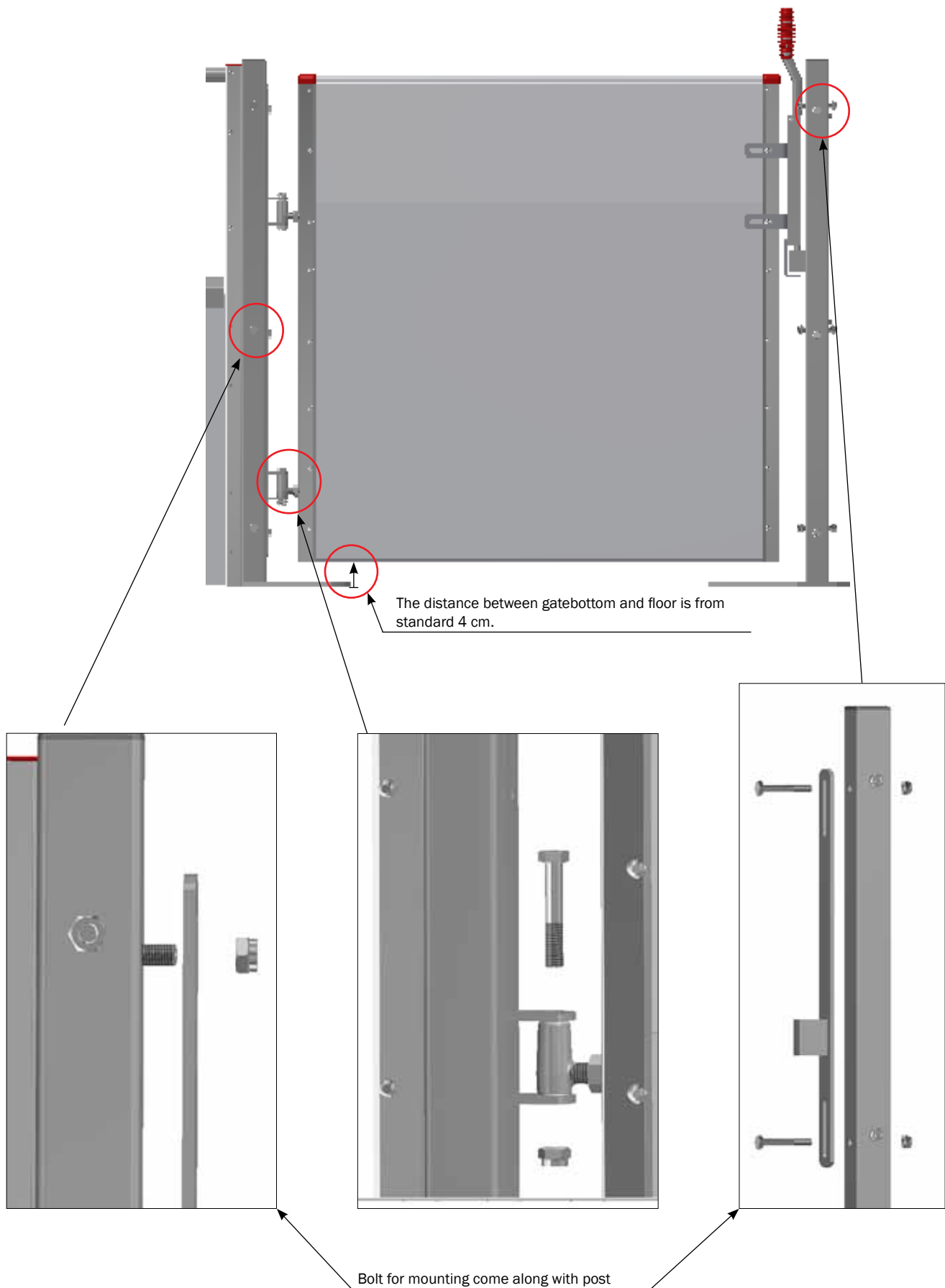


Must be sold separat.  
 For mounting of hinge in wall use:  
 "4800010" 10 PCS. SS BUTTON HEAD SCREWSM10X70 + WALL PLUG

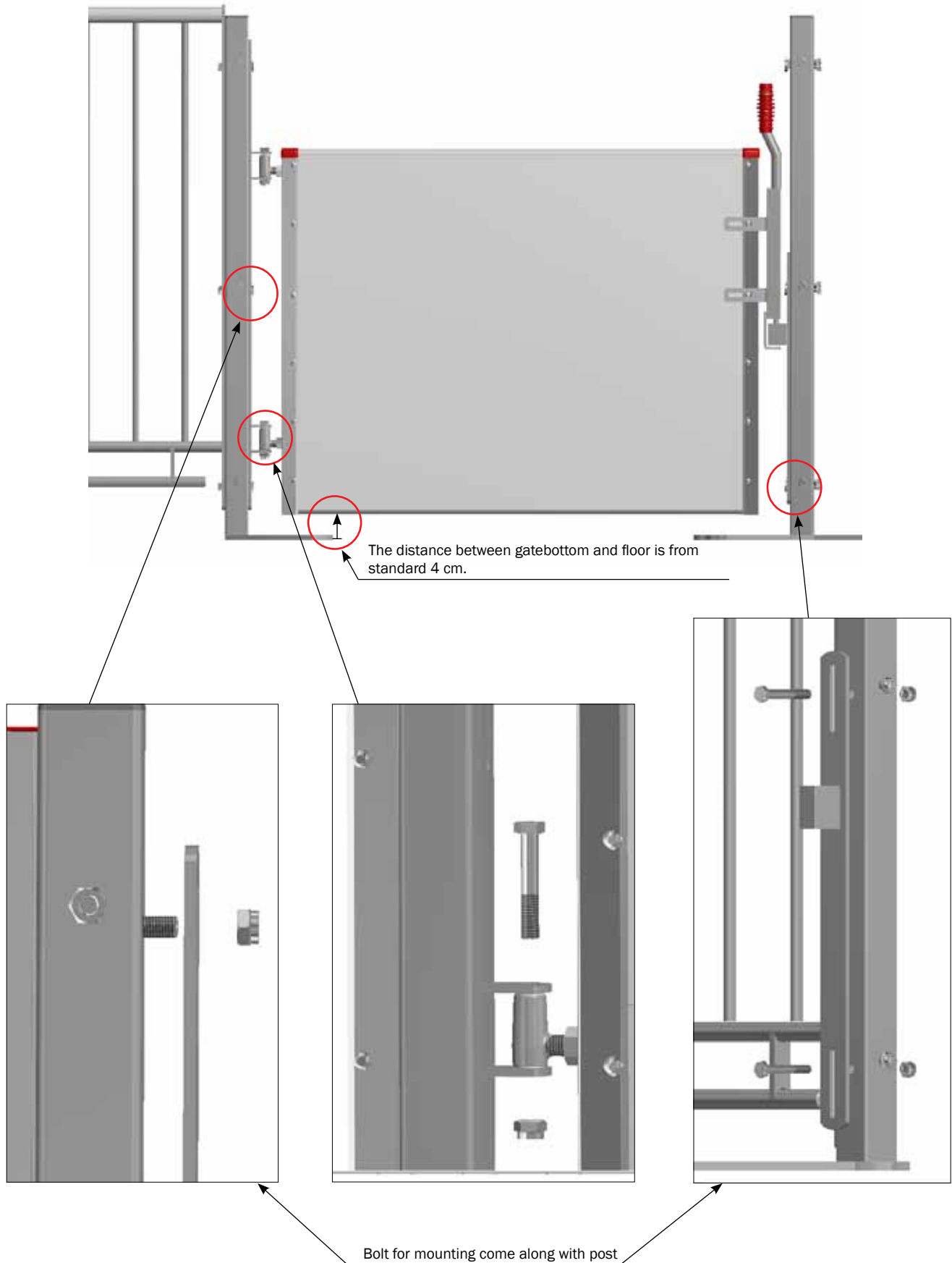


PARTS LIST			
NO.	PCS.	ITEM NO.	DESCRIPTION
1	1	1900281	BLOCKING GATE POST/POST WALL/WALL
1.1	1	1920281	HINGE FOR BLOCKING GATE WALL AAND GATE
1.2	2	67549	12 X 80 HEX HEAD BOLT A2
1.3	2	33912000	LOCK NUT M12 A2 DIN 985

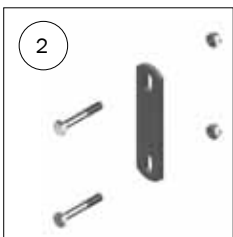
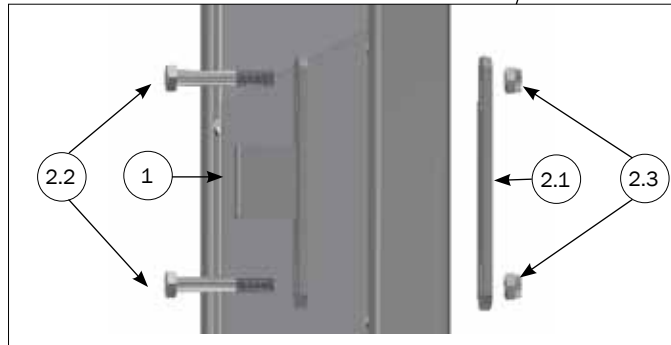
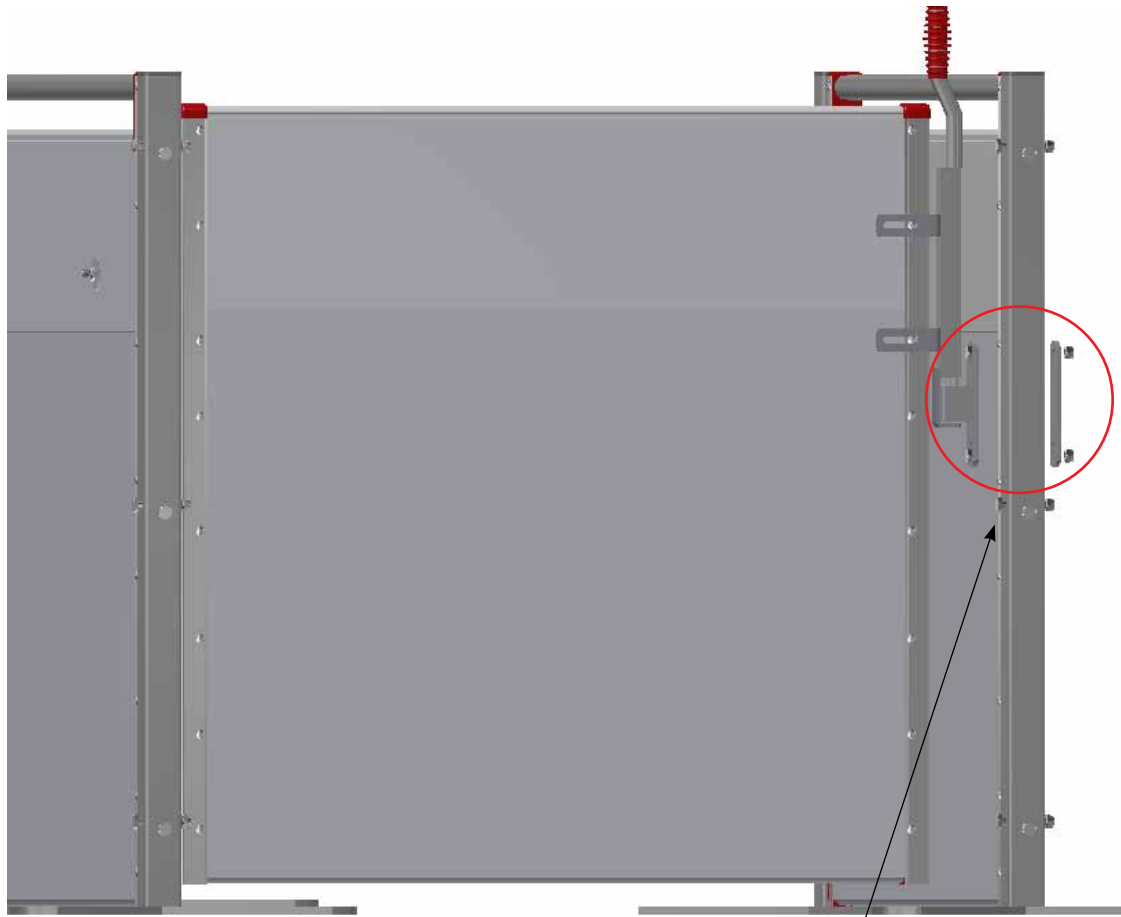
## MOUNTING OF BLOCKING GATE 100 CM HIGH ON POST



## MOUNTING OF BLOCKING GATE 75 CM HIGH ON POST

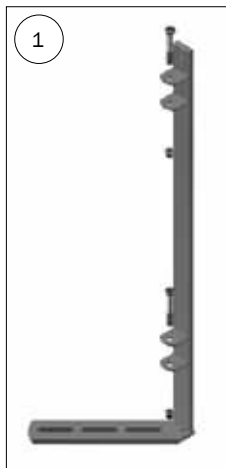
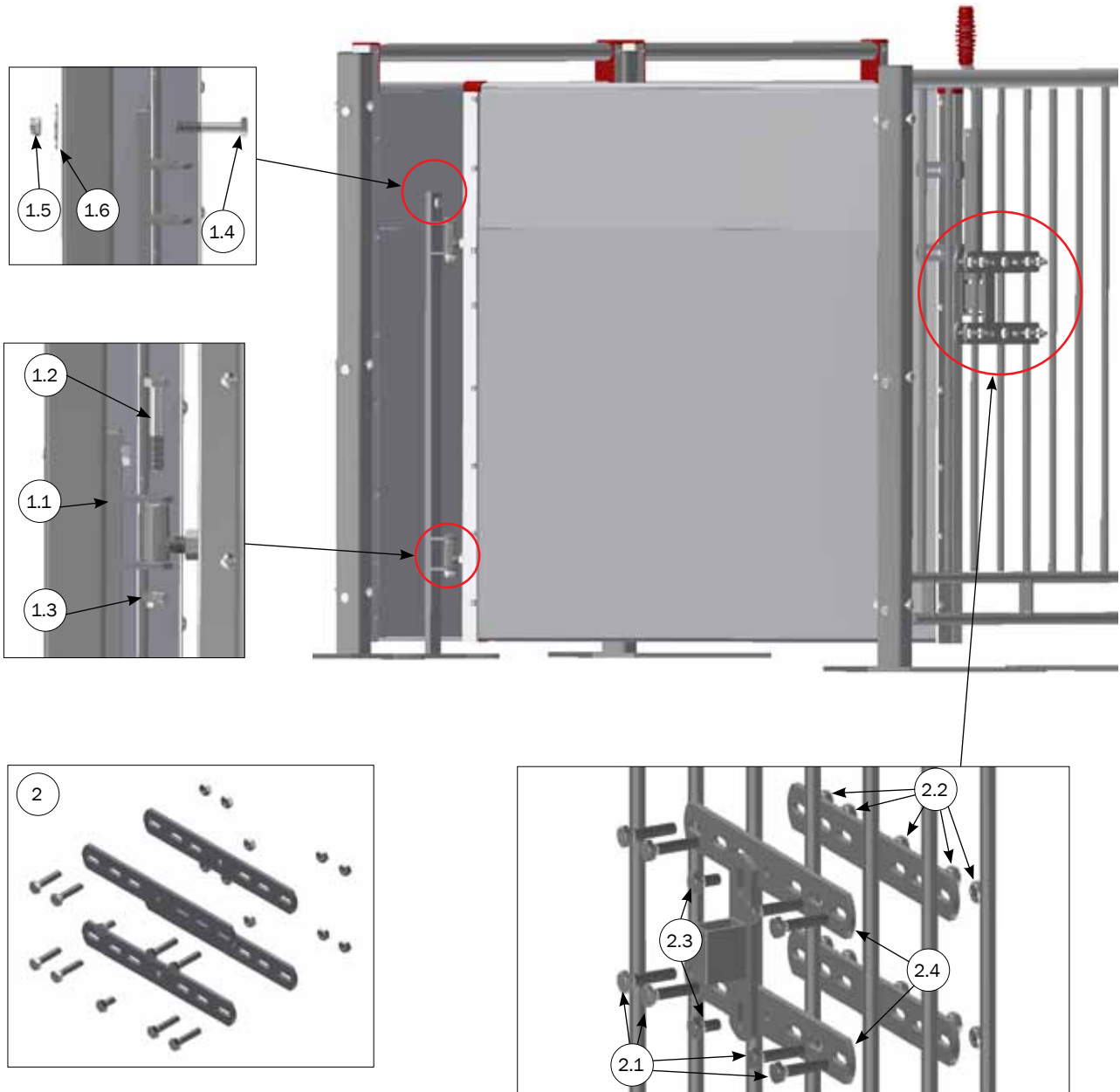


## MOUNTING OF CLAMP PLATE FOR DROP LATCH



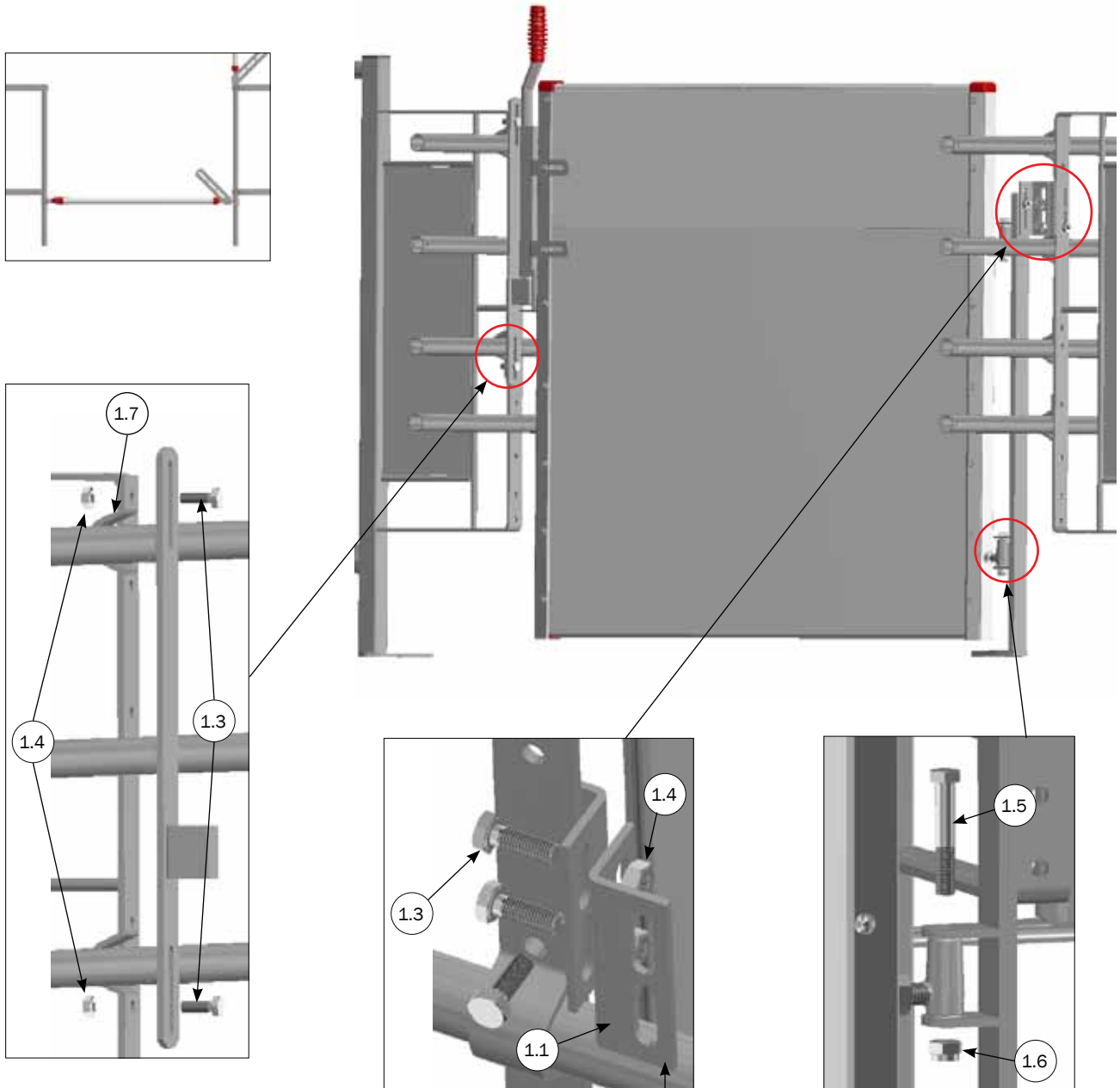
PARTS LIST			
NO.	PCS.	ITEM NO.	DESCRIPTION
1	1	1915011	LOCK BRACKET WALL/SPRING LOCK
2	1	1900289	CLAMP PLATE FOR DROP LATCH
2.1	1	4920248	CLAMP PLATE FOR DROP LATCH
2.2	2	32310065	MACHINE SCREW M10X65 A2 DIN 931
2.3	2	33900029	LOCK NUT M10 A2 DIN 985

## MOUNTING OF BRACKET FOR DROP LATCH ON GRILL

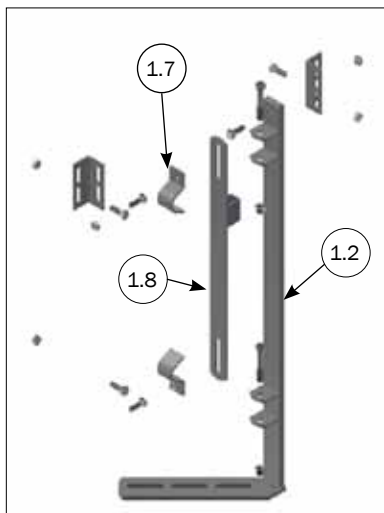


PATRS LIST			
NO.	PCS.	ITEM NO.	DESCRIPTION
1	1	1900291	POST FOR BLOCKING GATE
1.1	1	1920286	POST FOR BLOCKING GATE
1.2	2	67549	12 X 80 HEX HEAD BOLT A2
1.3	2	3391200	LOCK NUT M12 A2 DIN 985
1.4	1	32310065	MACHINE SCREW M10X65 A2 DIN 931
1.5	1	33900029	LOCK NUT M10 A2 DIN 985
1.6	1	20037	MASTER CLAMP SKIVE Ø10, 5/Ø45 1,5 A2
2	1	1900288	BRACKET FOR DROP LATCH ON GRILL
2.1	8	30301045	SET SCREW M10X45 A2 DIN 933
2.2	10	33510017	NUT M10 A2 DIN 934
2.3	2	30310020	SET SCREW M10X20 A2 DIN 933
2.4	4	1920228	CLAMP FOR DOOR HOLDER

## MOUNTING OF POST FOR BLOCKING GATE ON PEN FRONT BARS

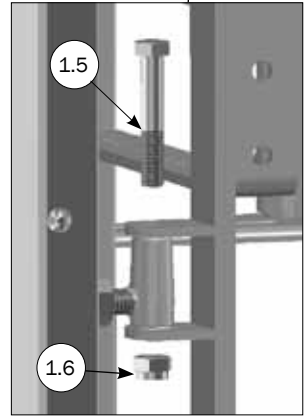
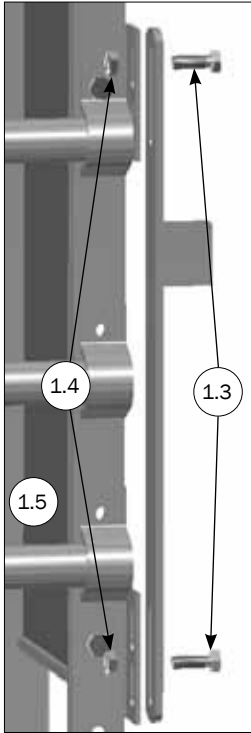
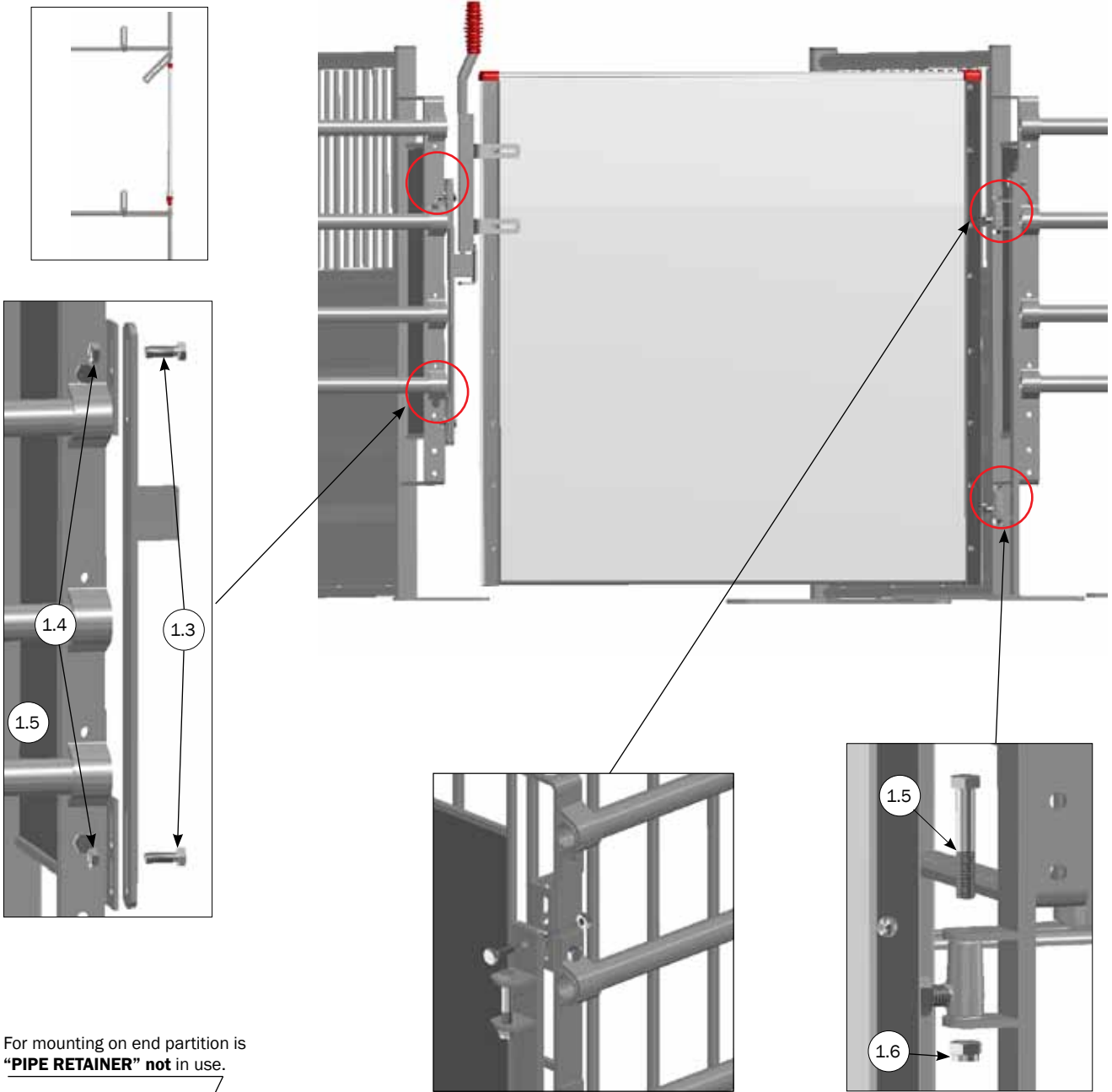


For mounting up on pen front bars is only 2 "WALL FITTING" in use.

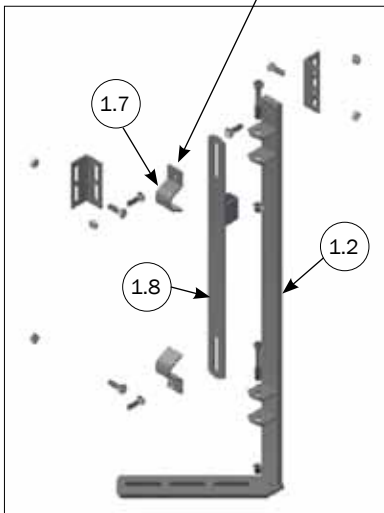


PATRS LIST			
NO.	PCS.	ITEM NO.	DESCRIPTION
1	1	1900285	POST FOR BLOCKING GATE
1.1	(3) 2	3920096	WALL FITTING FOR WATER PIPE
1.2	1	1920286	POST FOR BLOCKING GATE
1.3	(6) 5	30310030	SET SCREW M10X30 A2 DIN 933
1.4	(6) 5	33510017	NUT M10 A2 DIN 934
1.5	2	67549	M12 X 80 HEX HEAD BOLT A2
1.6	2	33912000	LOCK NUT M12 A2 DIN 985
1.7	2	16375	PIPE RETAINER 1' WITHOUT BOLT
1.8	1	1920280	DROP LATCH FOR POST

## MOUNTING OF POST FOR BLOCKING GATE AT END PARTITION

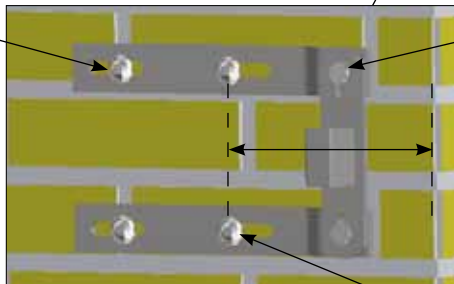
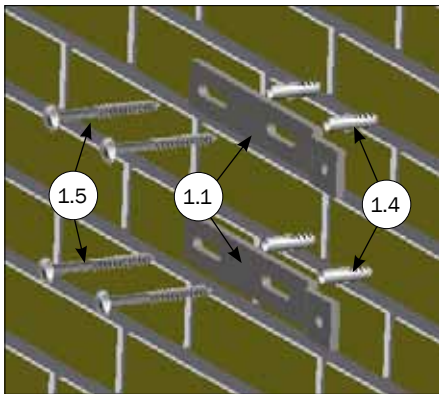
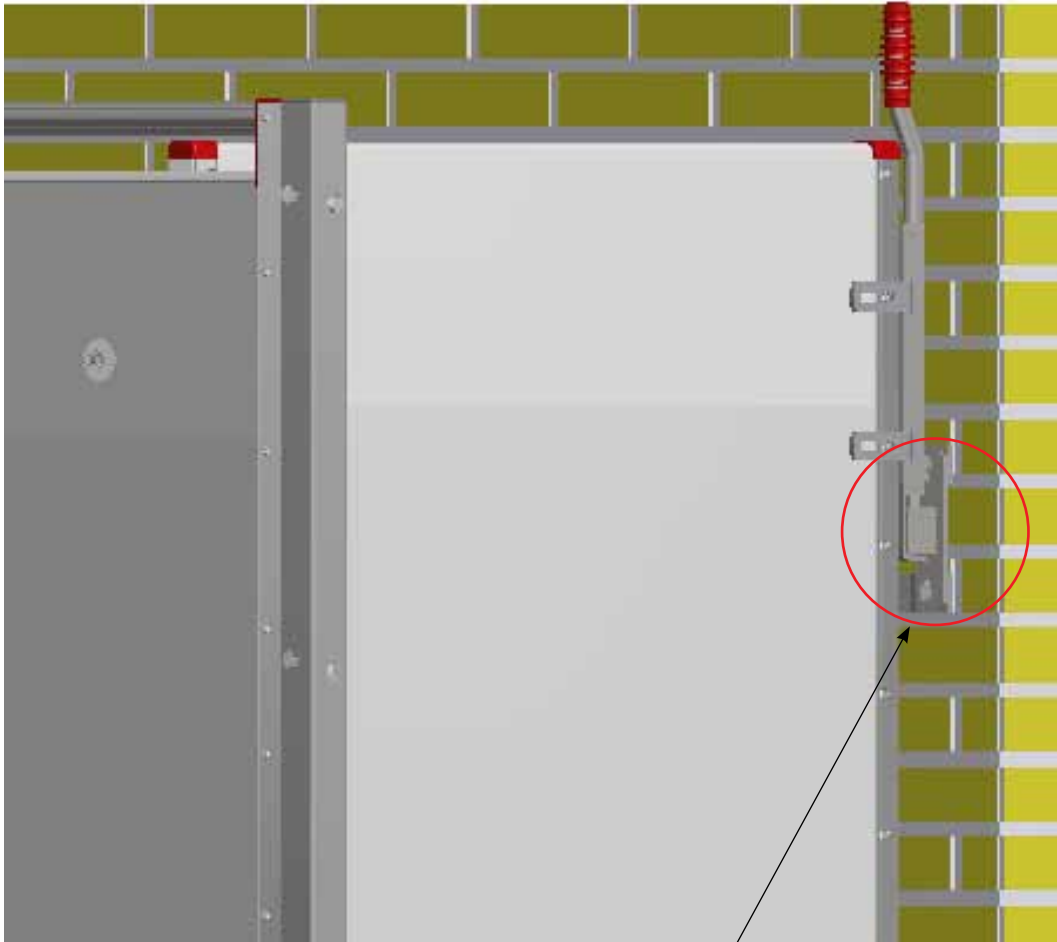


For mounting on end partition is  
**"PIPE RETAINER" not in use.**

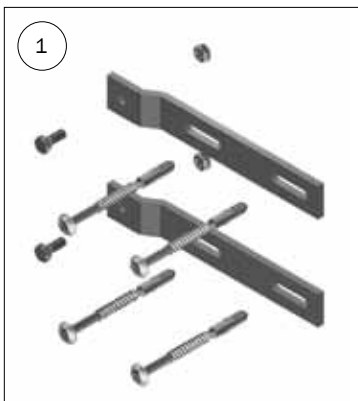
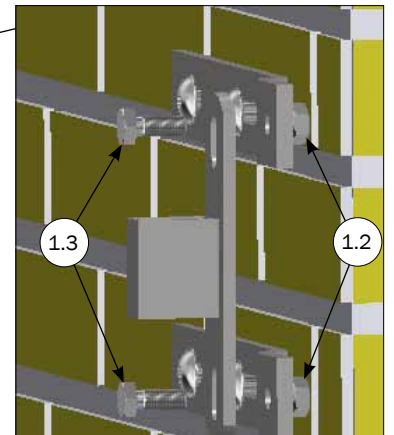


PATRS LIST			
NO.	PCS.	ITEM NO.	DESCRIPTION
1	1	1900285	POST FOR BLOCKING GATE
1.1	3	3920096	WALL FITTING FOR WATER PIPE
1.2	1	1920286	POST FOR BLOCKING GATE
1.3	6	30310030	SET SCREW M10X30 A2 DIN 933
1.4	6	33510017	NUT M10 A2 DIN 934
1.5	2	67549	M12 X 80 HEX HEAD BOLT A2
1.6	2	33912000	LOCK NUT M12 A2 DIN 985
1.7	2	16375	PIPE RETAINER 1' WITHOUT BOLT
1.8	1	1920280	DROP LATCH FOR POST

# MOUNTING OF BRACKET FOR DROP LATCH AWAY FROM BLOCKING GATE



**Bracket for drop latch away from gate** is in use when there are **less than 10 cm** for mounting of bracket for saloongate.



PATRS LIST			
NO.	PCS.	ITEM NO.	DESCRIPTION
1	1	1900287	BRACKET FOR DROP LATCH AWAY FROM GATE
1.1	2	58816HG	BRACKETS FOR SALOONGATE
1.2	2	30310025	SET SCREW M10X25 A2 DIN 933
1.3	2	33510017	NUT M10 A2 DIN 934
1.4	4	39900001	WALL PLUG 12X60 MM
1.5	4	67444	M10 X 70 BUTTON HEAD TORX 50 STAINLESS STEEL