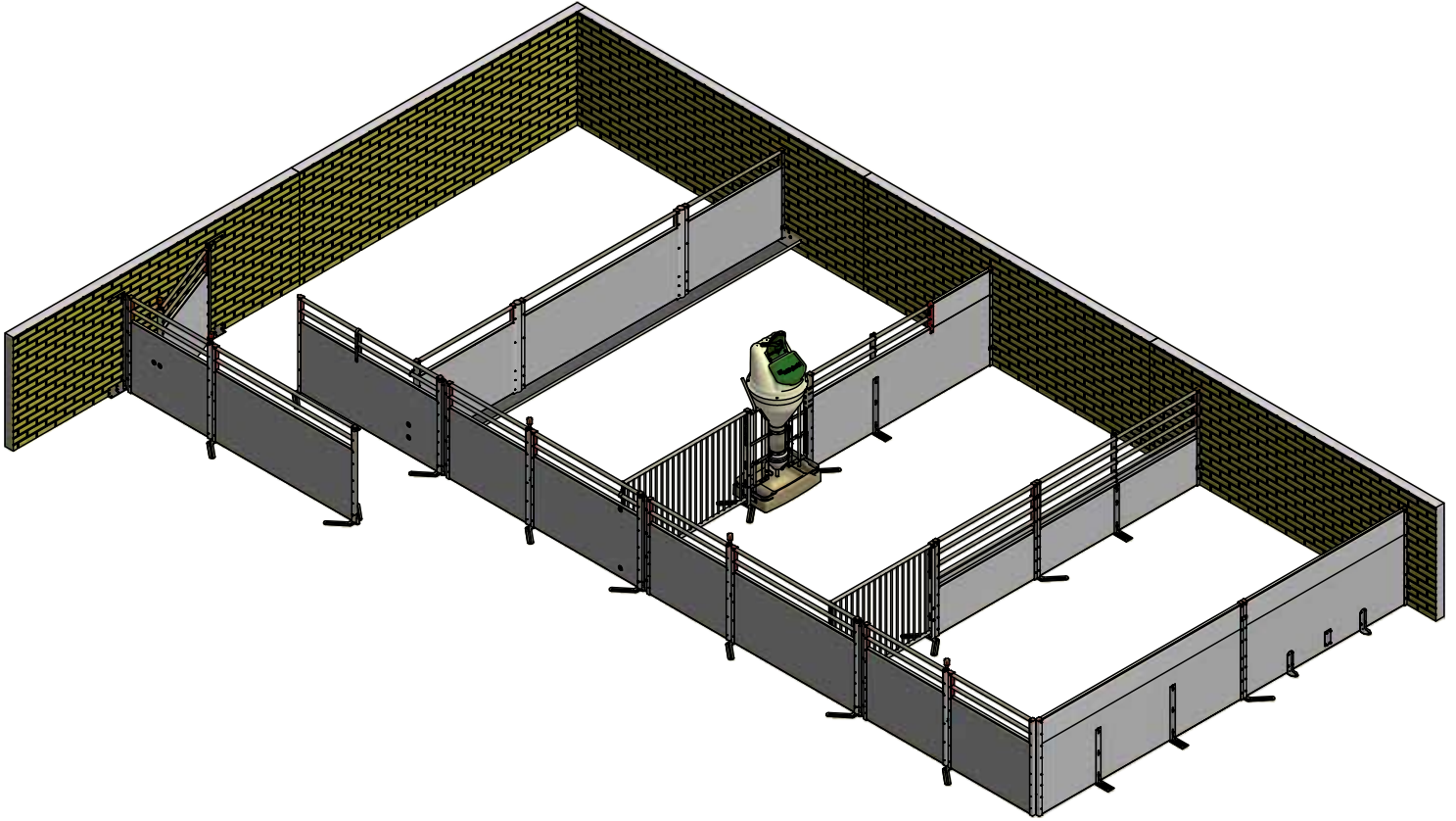


MOUNTING INSTRUCTION



CLEAN-O-FLEX 1000 WITH TWIST LOCK GATE



ACO FUNKI A/S

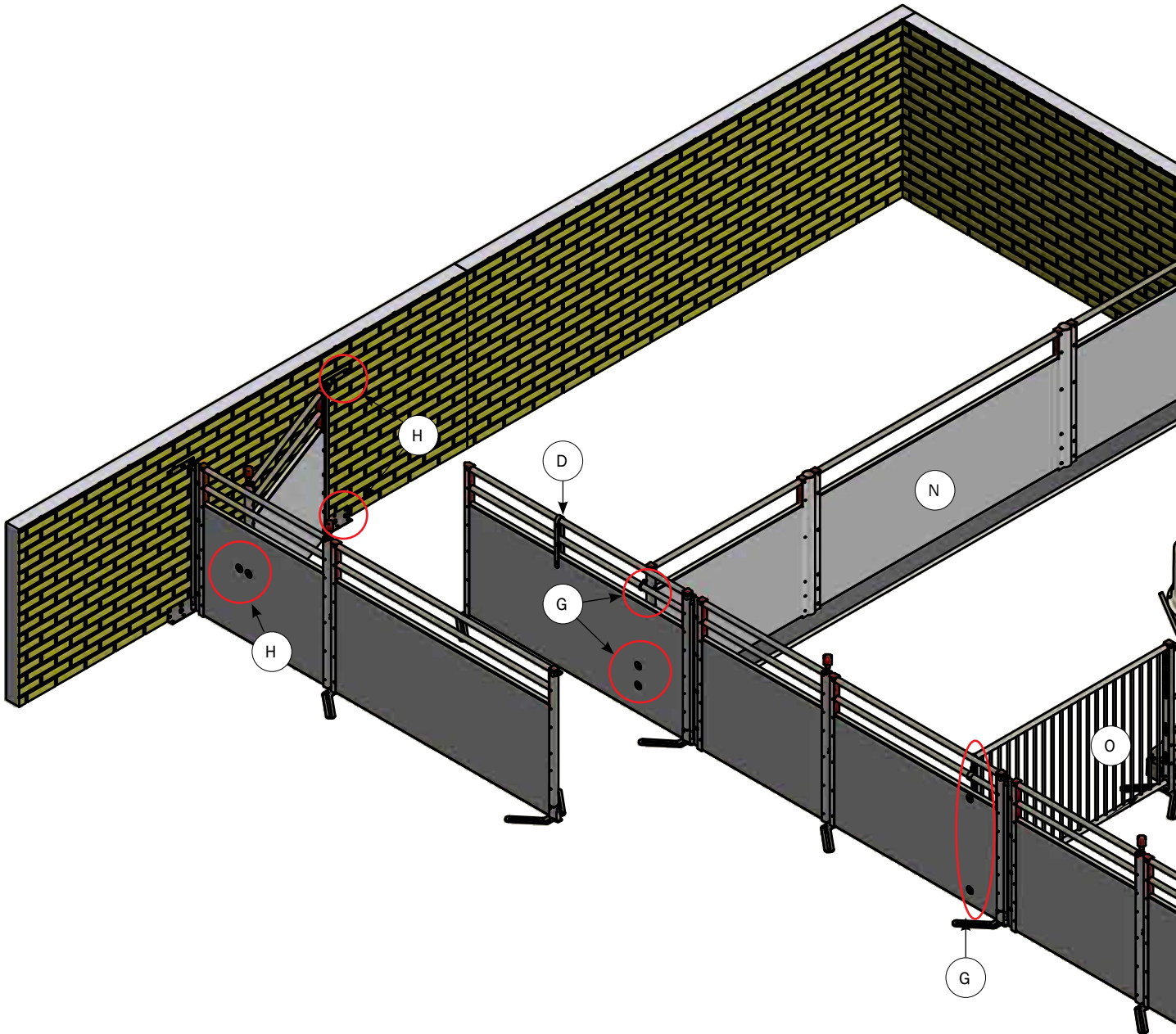
Kirkevænget 5
DK-7400 Herning

Tel. +45 9711 9600

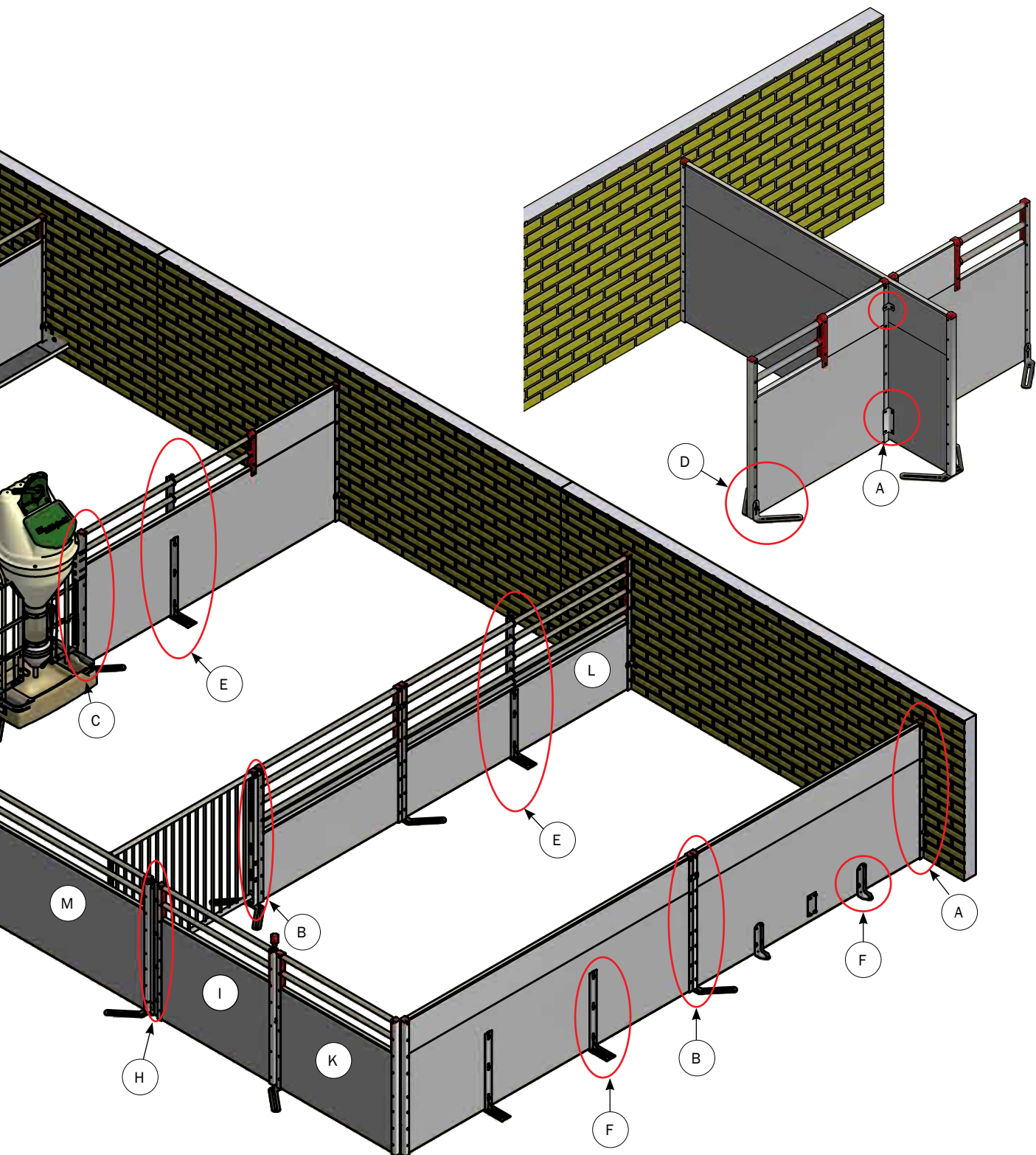
Fax +45 9711 9677

www.acofunki.com

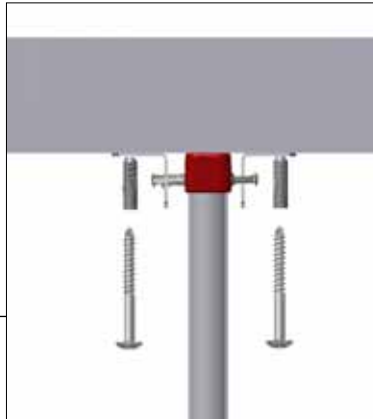
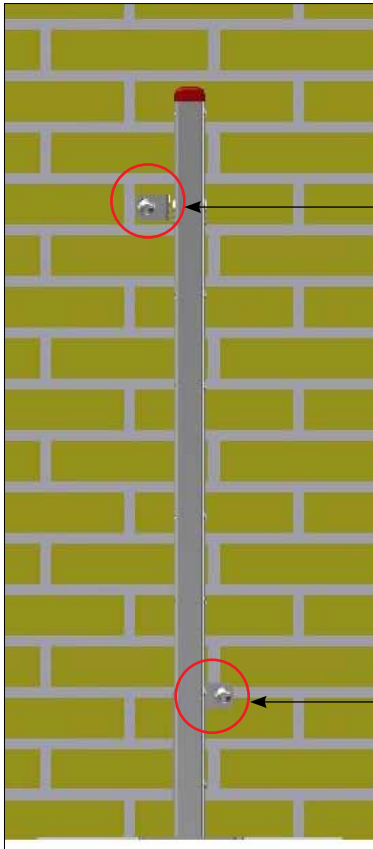
DANISH DESIGN | GERMAN QUALITY | GLOBAL EXPERIENCE



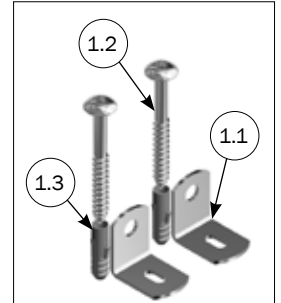
NO.	PAGE	DESCRIPTION
A	4	MOUNTING AGAINST WALL/ MOUNTING DOUBLE PANELWALL AGAINST U-POST
B	5	MOUNTING 2 SIDE IN EXTENSION OF EACH OTHER/U-POST AGAINST GRILLE
C	6	MOUNTING OF U-POST AGAINST FEEDER
D	7	MOUNTING OF LOOS FOUNDATION/ STABILIZATION OF BARS
E	8	STABILIZATION OF SIDE
F	9-10	STABILIZATION IN RESTING AREA
G	11-13	MOUNTING AGAINST FRONT PART
H	14-16	MOUNTING AND ADJUSTMENT OF GATE/GATE STOP
I	17-21	PARTS LIST OF UNASSAMBLED GATE H100
J	22-29	PARTS LIST OF UNASSAMBLED SIDE H100
K	30-35	PARTS LIST OF UNASSAMBLED FRONT PART WITH RECEIVER H100
L	36-41	PARTS LIST OF UNASSAMBLED FRONT PART WITH HINGER H100
M	32-46	PARTS LIST OF UNASSAMBLED FRONT PART WITH HINGER/RECEIVER H100
N	47-50	PARTS LIST OF UNASSAMBLED LIQUIDFEED WALL H100
O	51	OVERVIEW ON GRILLE H100



MOUNTING OF U-POST AGAINST WALL

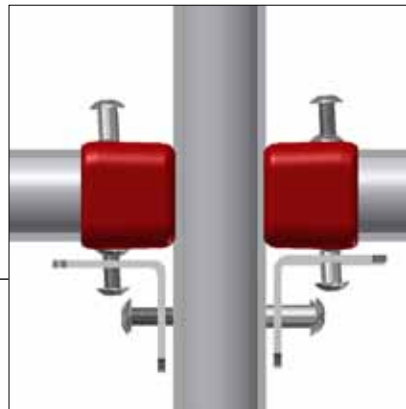
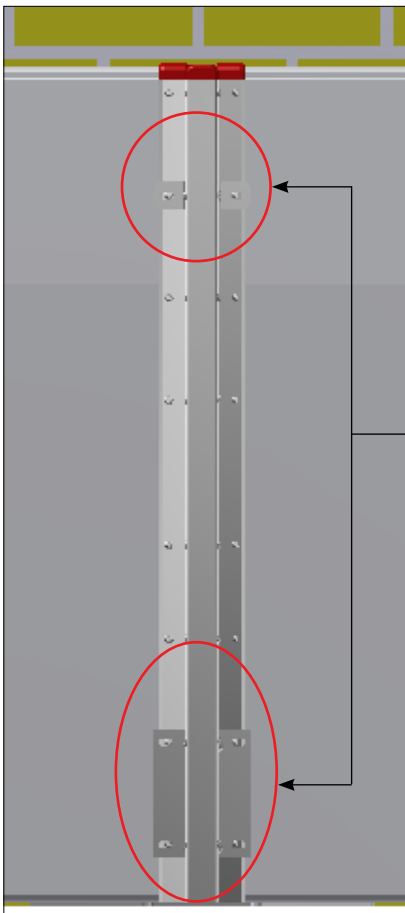


Bracket is Mounted with connection screw from post.

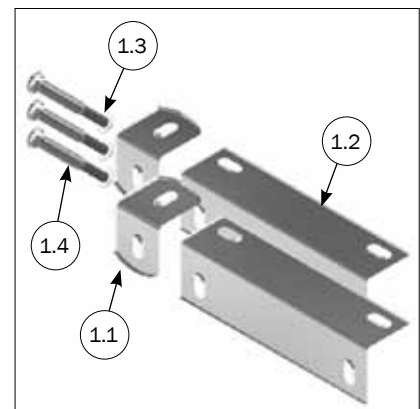


PARTS LIST			
NO.	PCS.	ITEM NO.	DESCRIPTION
1	1	38520	MOUNT KIT FOR U-POST AGAINST WALL
1.1	2	30906	WALL BRACKET ANGLE/PANEL
1.2	2	67444	10 X 70 BUTTON HEAD TORX 50 STAINLESS STEEL
1.3	2	39900001	WALL PLUG 12X60 MM

MOUNTING OF U-POST AGAINST DOUBLE PANELWALL

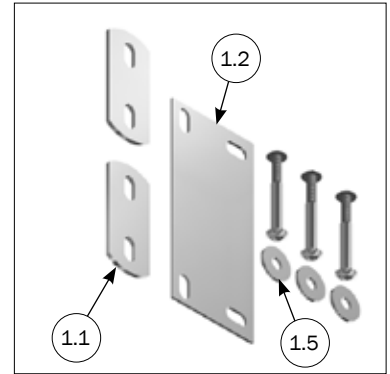
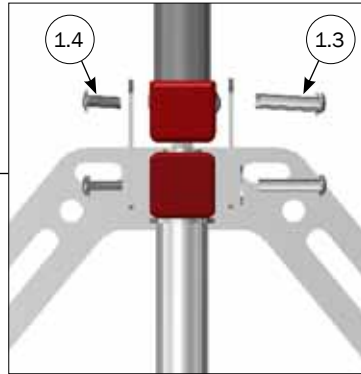
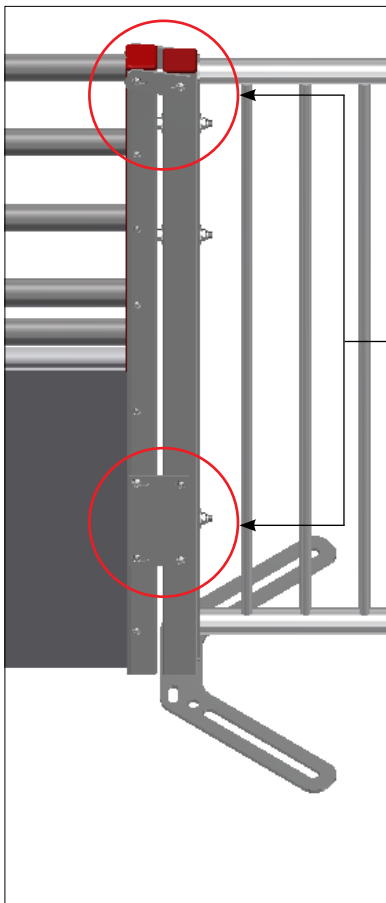


For mounting only 1 wall look at page 13



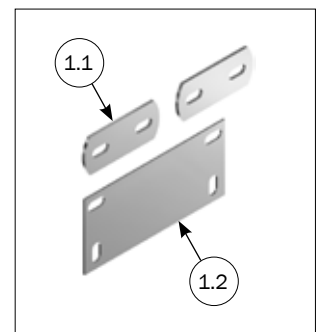
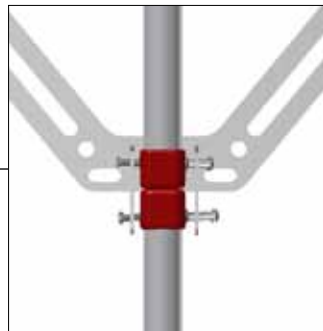
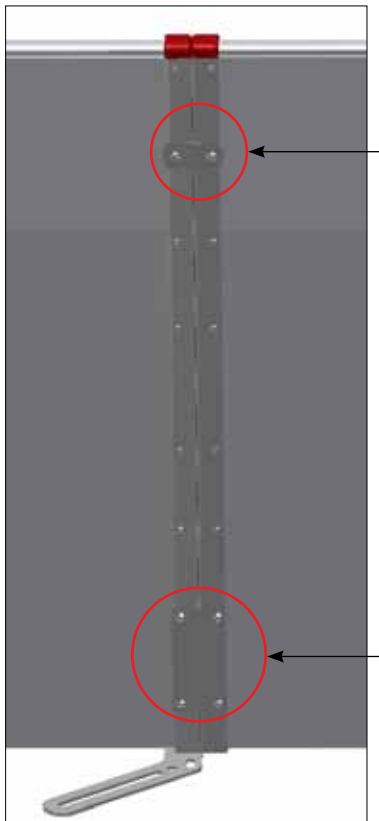
PARTS LIST			
NO.	PCS.	ITEM NO.	DESCRIPTION
1	1	38530	MOUNT KIT F/UPOST DOUBLE AGAINST PANELWALL
1.1	2	30900	WALL BRACKET SMALL
1.2	2	30901	ANGLE BRACKET, LONG
1.3	3	39106020	CONNECTION SCREW M6X20 STAINLESS TORX 30
1.4	3	39206037	SPLICING SLEEVE M6X37 STAINLESS TORX 30

MONTERING AF U-STOLPE AGAINST GRILLE



PARTS LIST			
NO.	PCS.	ITEM NO.	DESCRIPTION
1	1	38525	MOUNT KIT F/U-POST AGAINST GRILLE
1.1	2	30902	ASSEMBLY BRACKET FLAT IRON, SMALL
1.2	1	30903	ASSEMBLY BRACKET FLAT IRON, LARGE
1.3	3	39206037	SPLICING SLEEVE M6X37 STAINLESS TORX 30
1.4	3	39106020	CONNECTION SCREW M6X20 STAINLESS TORX 30
1.5	3	35600058	NUT WASHER Ø8X8,4/24/2 A2 DIN9021

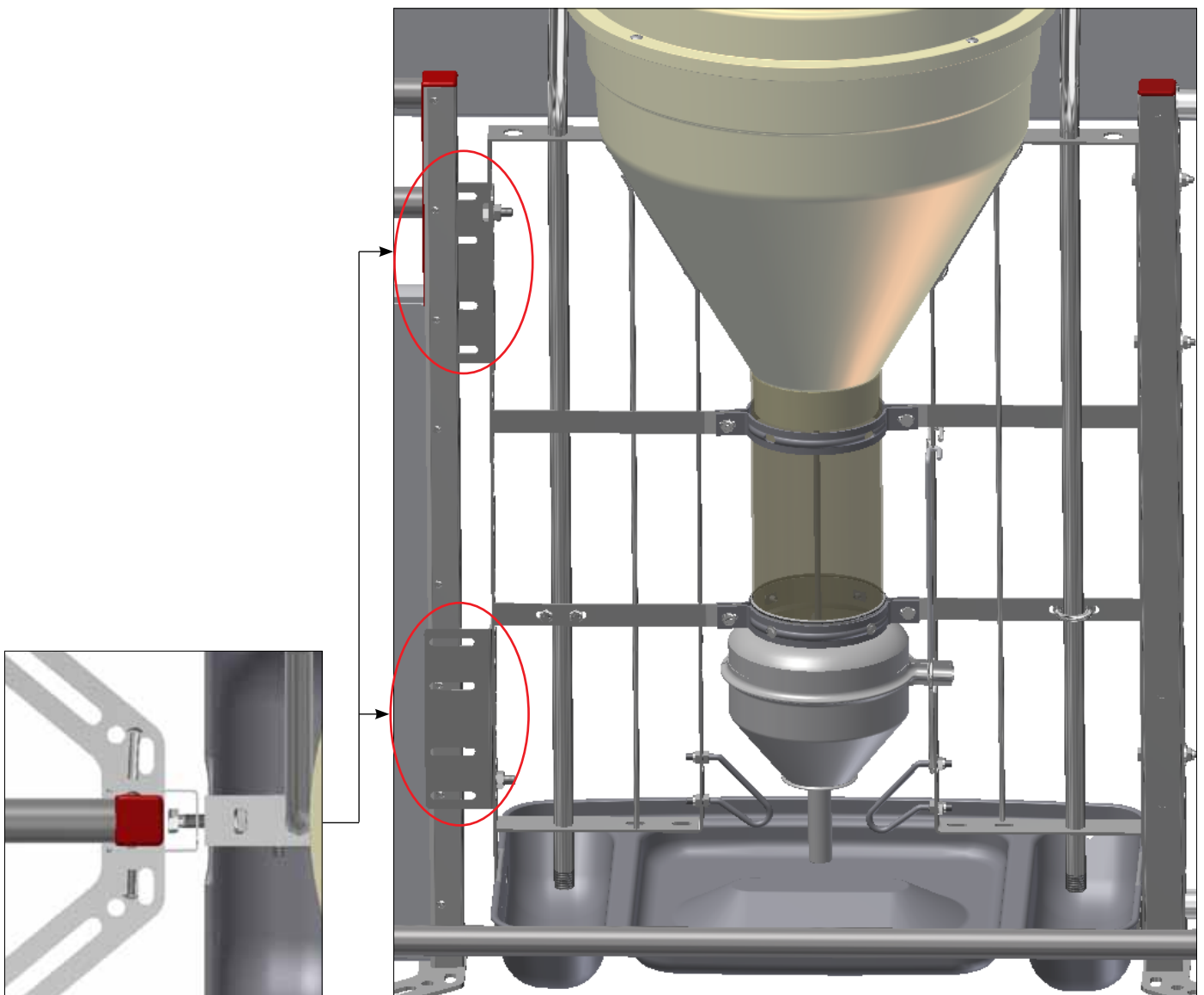
MOUNTING OF 2 SIDE IN EXTENSION OF EACH OTHER



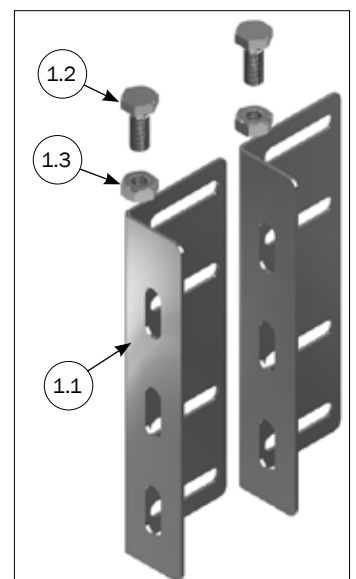
Bracket is Mounted with connection screw from post.

PARTS LIST			
NO.	PCS.	ITEM NO.	DESCRIPTION
1	1	38522	BRACKET FOR MOUNTING 2 SIDE IN EXTENSION OF EACH OTHER
1.1	1	30902	ASSEMBLY BRACKET FLAT IRON, SMALL
1.2	2	30903	ASSEMBLY BRACKET FLAT IRON, LARGE

MOUNTING OF BRACKET ON U-POST AGAINST FEEDER



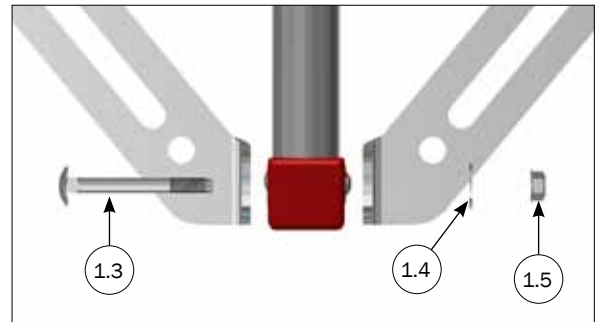
Bracket is mounting with connection screw from post.



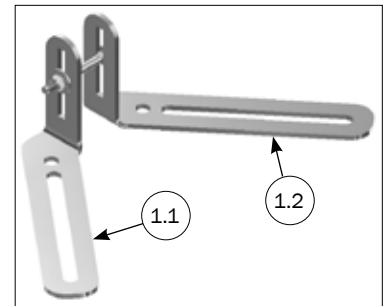
PARTS LIST

NO.	PCS.	ITEM NO.	DESCRIPTION
1	1	38524	MOUNT KIT FOR U-POST AGAINST FEEDERS
1.1	2	30904	TUBE-O-MAT® BRACKET
1.2	2	30310025	SET SCREW M10X25 A2 DIN 933
1.3	2	33510017	NUT M10 A2 DIN 934

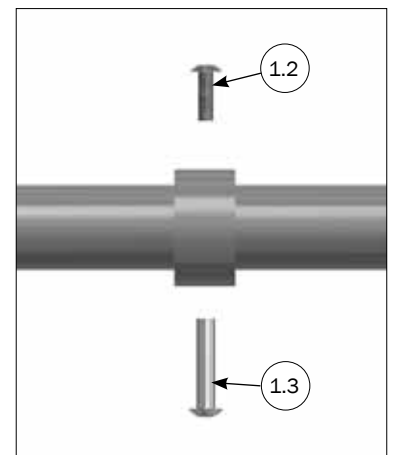
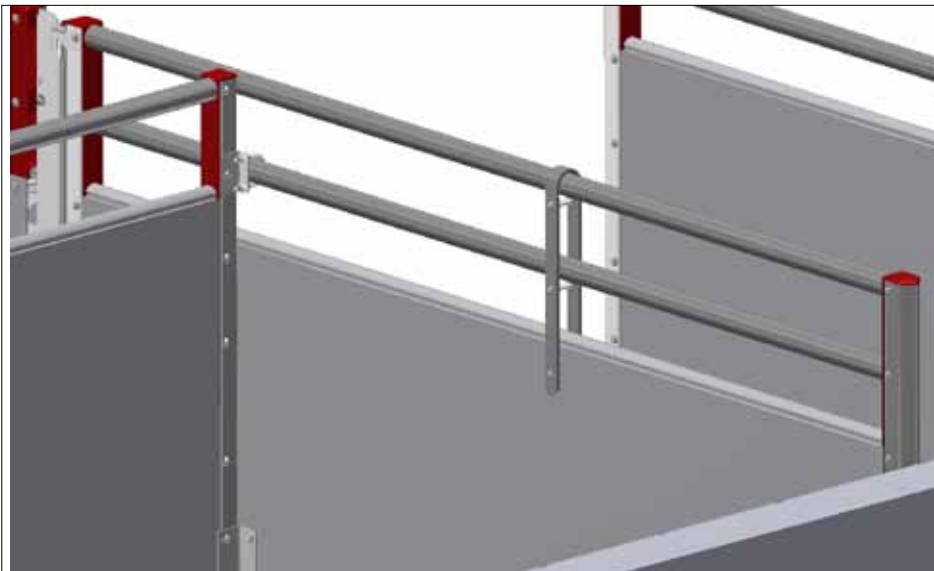
MOUNTING OF LOOSE FOUNDATION



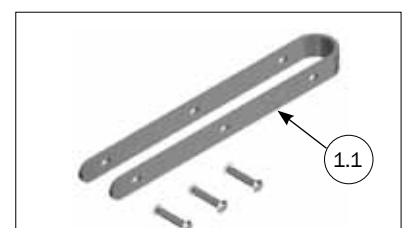
PARTS LIST			
NO.	PCS.	ITEM NO.	DESCRIPTION
1	1	4900803	LOOSE FOUNDATION SET LEFT ANDRIGHT
1.1	1	8450702	HALF FOOT PLATE RIGHT STAINLESS STEEL
1.2	1	8450701	HALF FOOT PLATE LEFT STAINLESS STEEL
1.3	1	36308075	MUSHROOMHEADED BOLT M8X75 A2 DIN 603
1.4	1	35600058	NUT WASHER Ø8X8,4/24/2 A2 DIN9021
1.5	1	68552	M8 FLANGE NUT DIN 6923 A2



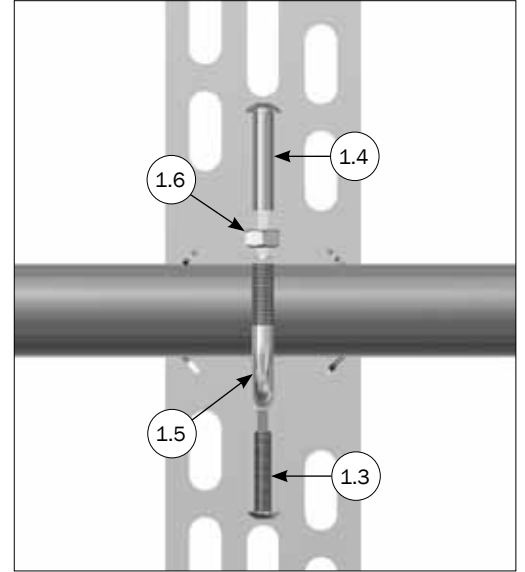
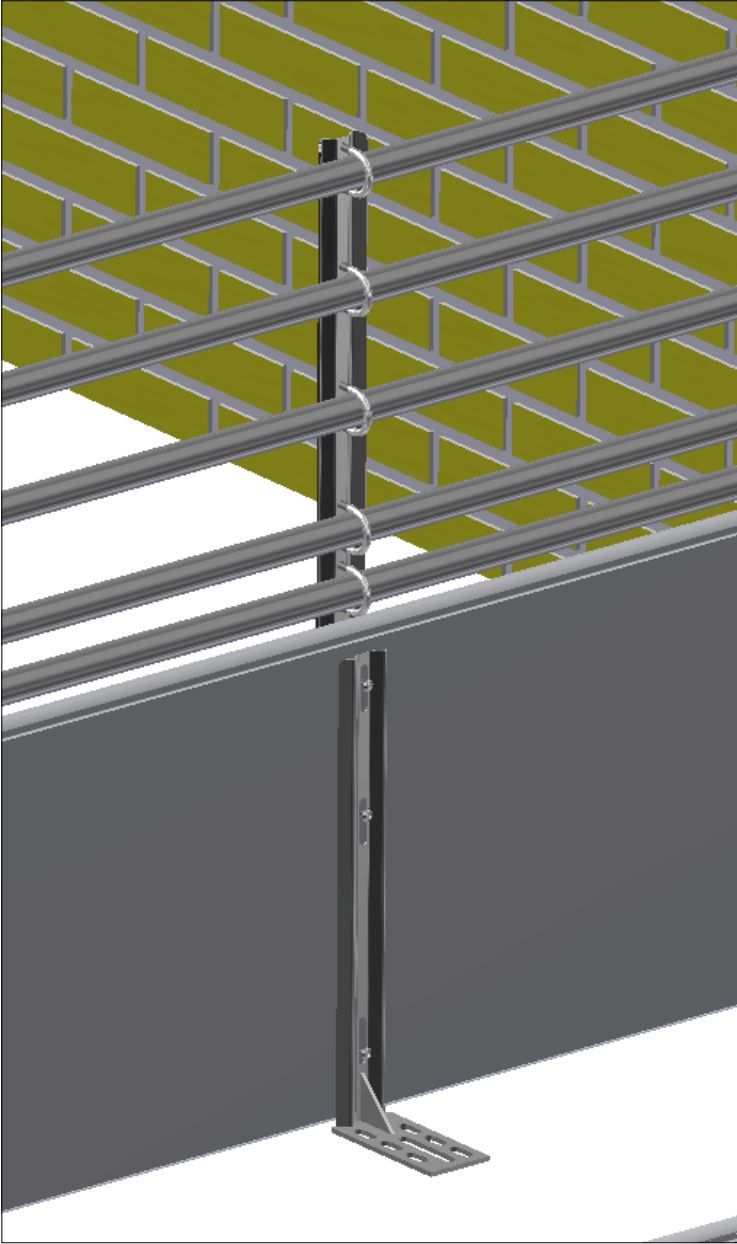
STABILIZATION FOR BARS



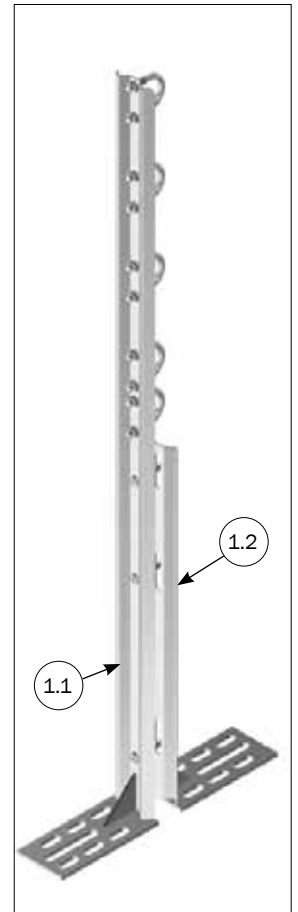
PARTS LIST			
NO.	PCS.	ITEM NO.	DESCRIPTION
1	1	4900331	SUPPORT FOR BOARDPROFILE AND BARS, INCL SCREWS
1.1	1	4920331	SUPPORT FOR PANEL AND BARS
1.2	3	39106020	CONNECTION SCREW M6X20 STAINLESS TORX 30
1.3	3	39206037	SPLICING SLEEVE M6X37 STAINLESS TORX 30



STABILIZATION



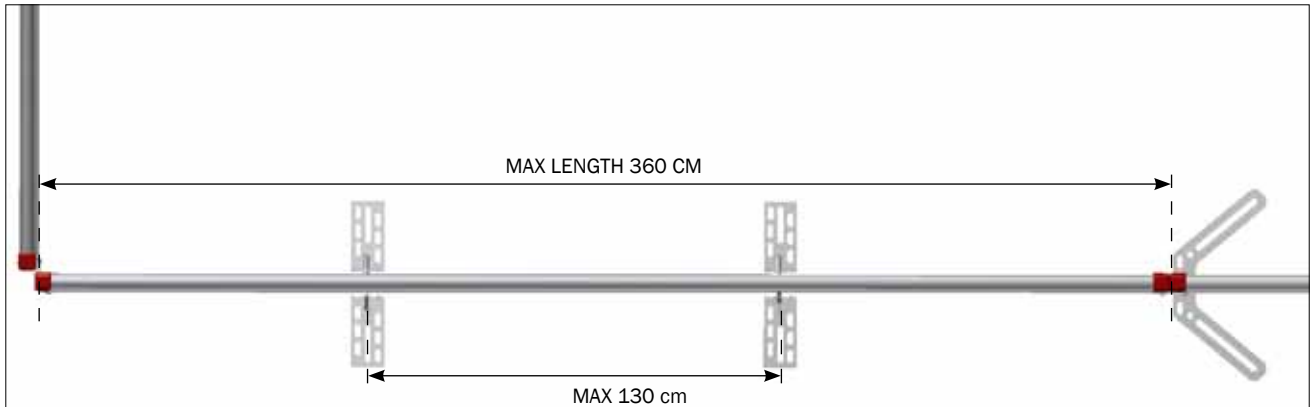
If partition has a length for 2500 mm or more, **must** stabilization post be mounted.



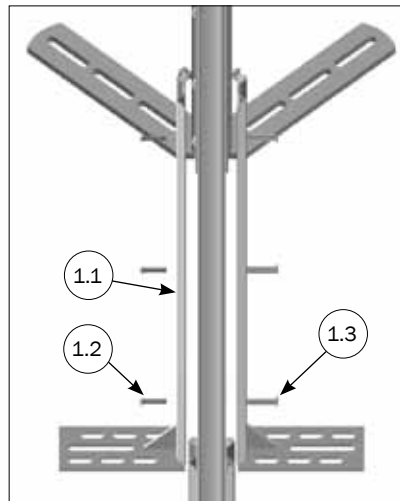
PARTS LIST

NO.	PCS.	ITEM NO.	DESCRIPTION
		38927	STABILIZATION POST BOARDPROFILE/2 BARS H100 EX. BOLT FOR FLOOR
1	1	38918	STABILIZATION POST FOR BOARDPROFILE/5 BARS H100 EXCL. BOLT FOR FLOOR
1.1	1	38916	STABILIZATION POST H100 CLEAN-O-FLEX 102,4 CM
1.2	3	38917	STABILIZATION POST H50 CLEAN-O-FLEX 49,5 CM
1.3	3	39106020	CONNECTION SCREW M6X20 STAINLESS TORX 30
1.4	3	39206037	SPLICING SLEEVE M6X37 STAINLESS TORX 30
1.5	5	90100062	U-BOLT 1' STAINLESS
1.6	10	33508013	NUT M8 A2 DIN 934

STABILIZATION IN RESTING AREA WITH POST FOR BOARDPROFILE



For stabilization in resting area must there for each 130 cm be mounted: "38923"

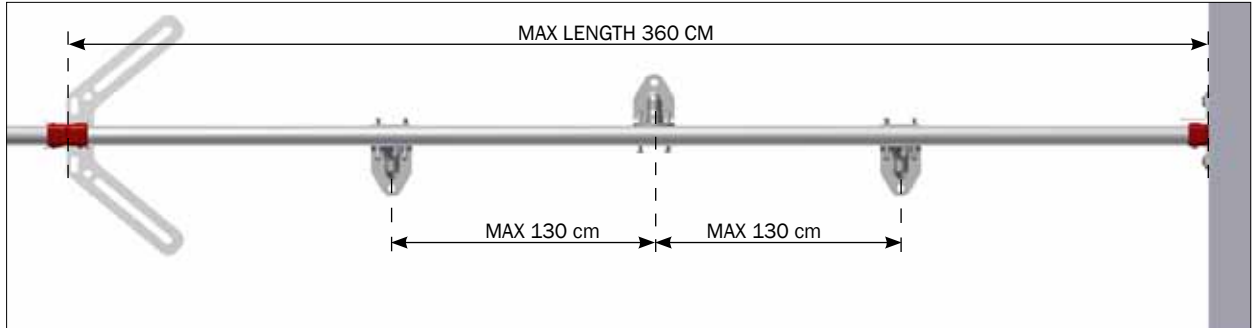


38923
STABILIZATION POST BOARDPROFILE H75/
H100 EX. BOLT FOR FLOOR



PARTS LIST			
NO.	PCS.	ITEM NO.	DESCRIPTION
1	1	38923	STABILIZATION POST BOARDPROFILE H75/H100 EX. BOLT FOR FLOOR
1.1	2	38910	STABILIZATIONS POST H75 CLEAN-O-FLEX 63 CM
1.2	3	39106020	CONNECTION SCREW M6X20 STAINLESS TORX 30
1.3	3	39206037	SPLICING SLEEVE M6X37 STAINLESS TORX 30

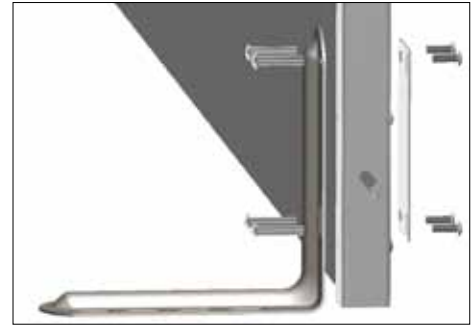
STABILIZATION IN RESTING AREA WITH LOW SUPPORT FOUNDATION



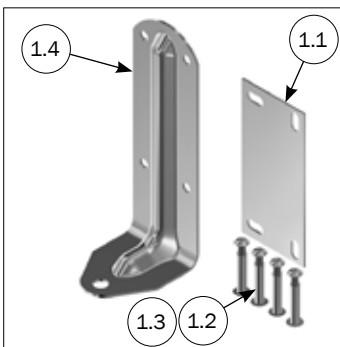
For stabilization in resting area must for each 130 cm be mounted: "4900802 or"4900806"



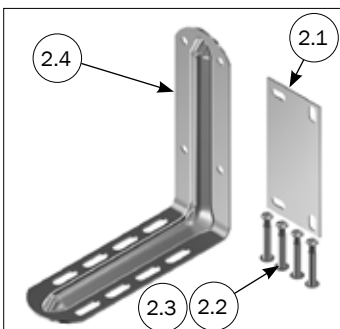
4900806
SUPPORT FOUNDATION FOR CONCRETE
CLEAN-O-FLEX



4900802
SUPPORT FOUNDATION FOR SLATS
CLEAN-O-FLEX

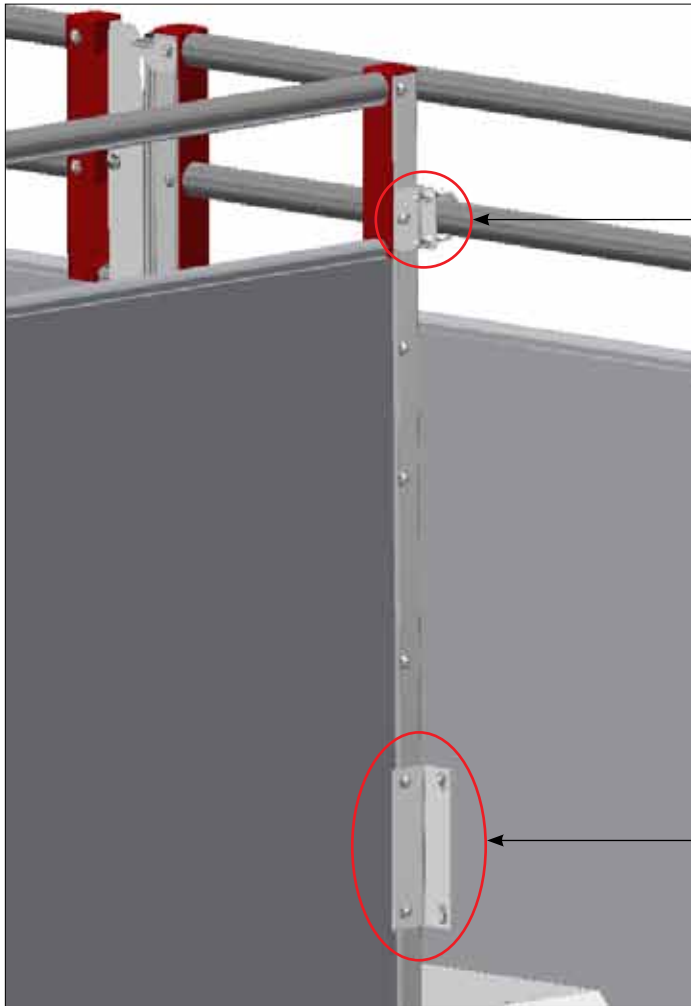


PARTS LIST			
NO.	PCS.	ITEM NO.	DESCRIPTION
1	1	4900806	SUPPORT FOUNDATION FOR CONCRETE CLEAN-O-FLEX
1.1	1	30903	ASSEMBLY BRACKET FLAT IRON, LARGE
1.2	4	39106020	CONNECTION SCREW M6X20 STAINLESS TORX 30
1.3	4	39206037	SPLICING SLEEVE M6X37 STAINLESS TORX 30
1.4	1	30806	SINGLE FOOTBRACKET FOR CONCRET

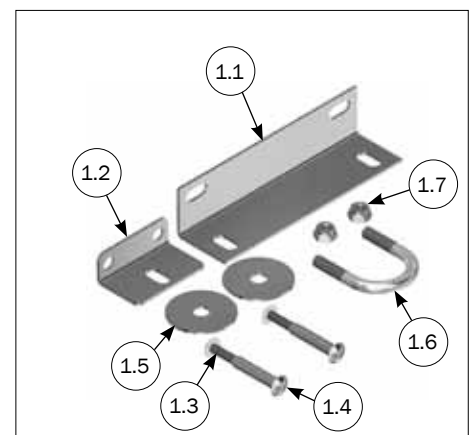


PARTS LIST			
NO.	PCS.	ITEM NO.	DESCRIPTION
2	1	4900802	SUPPORT FOUNDATION FOR SLATS CLEAN-O-FLEX
2.1	1	30903	ASSEMBLY BRACKET FLAT IRON, LARGE
2.2	4	39106020	CONNECTION SCREW M6X20 STAINLESS TORX 30
2.3	4	39206037	SPLICING SLEEVE M6X37 STAINLESS TORX 30
2.4	1	30802	SINGLE FOOTBRACKET FOR SLATS

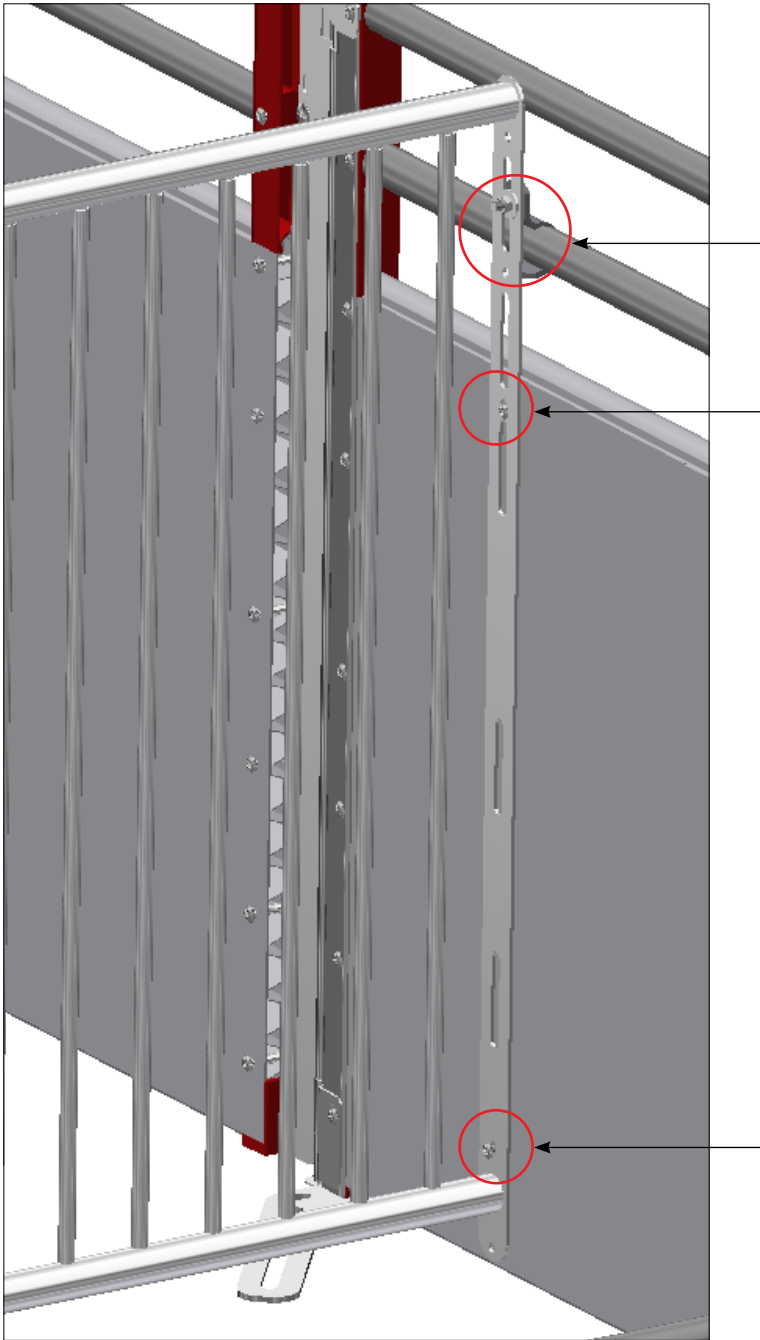
MOUNTING OF U-POST AGAINST FRONT PART BOARDPROFILE/BARS



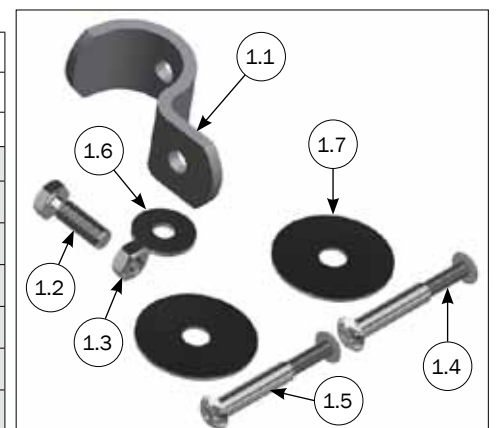
PARTS LIST			
NO.	PCS.	ITEM NO.	DESCRIPTION
1	1	38527	MOUNT KIT F/U-POST AGAINST FRONT PART BOARDPROFILE/BARS
1.1	1	30901	ANGLE BRACKET, LONG
1.2	1	30898	ANGLE BRACKET FOR TOPBAR SMALL
1.3	2	39106020	CONNECTION SCREW M6X20 STAINLESS TORX 30
1.4	2	39206037	SPLICING SLEEVE M6X37 STAINLESS TORX 30
1.5	2	20037	MASTER CLAMP WASHER Ø10,5/45 1,5 A2
1.6	1	90100062	U-BOLT 1' STAINLESS
1.7	2	33908001	LOCK NUT M8 A2 DIN 985



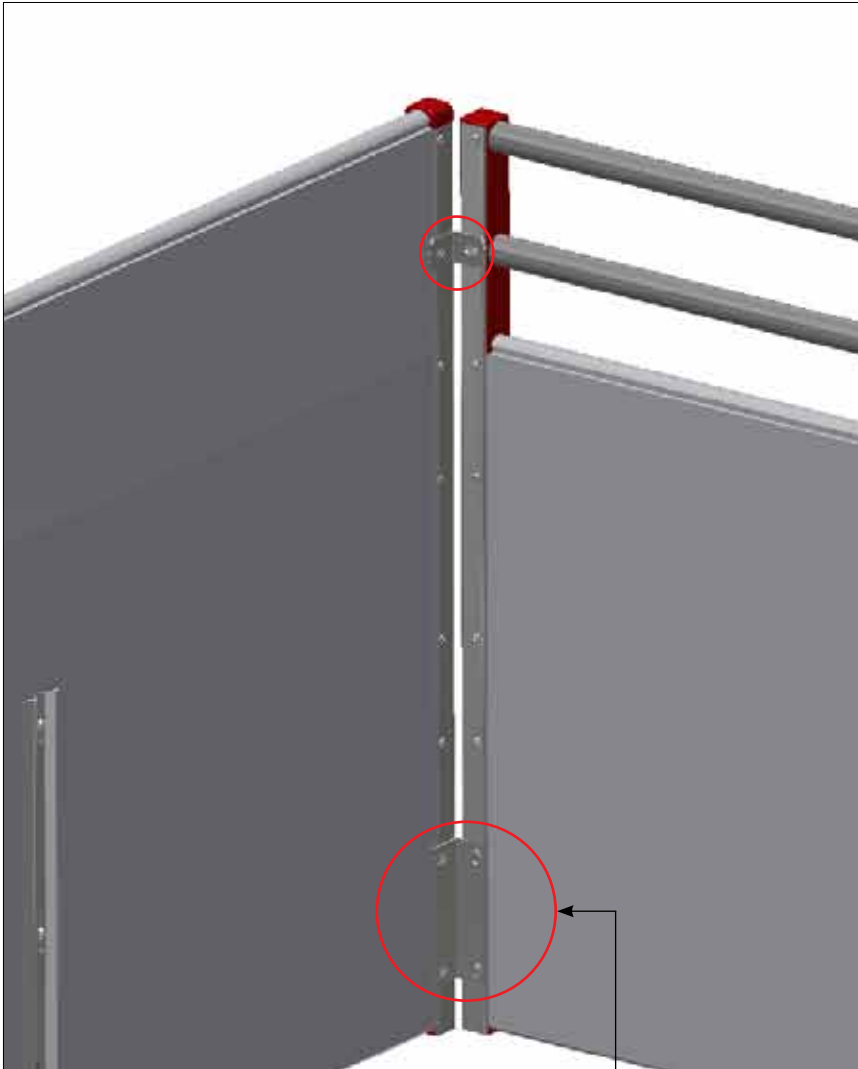
MOUNTING OF GRILLE AGAINST FRONT PART BOARDPROFILE/BARS



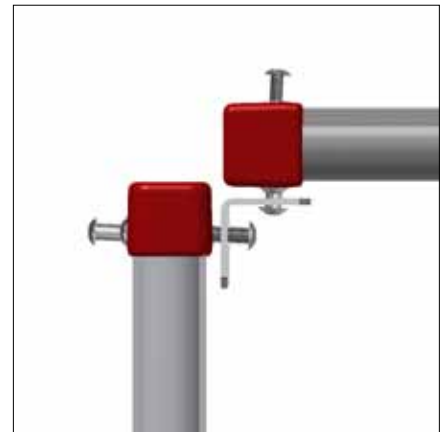
PARTS LIST			
NO.	PCS.	ITEM NO.	DESCRIPTION
1	1	38528	MOUNT KIT F/GRILLE H75-100 AGAINST FRONT PART BOARDPROFILE/BARS
1.1	1	1620081	PIPE FITTING FOR 1" PIPE W/Ø9HOLE
1.2	1	30308025	SET SCREW M8X25 A2 DIN 933
1.3	1	33508013	NUT M8 A2 DIN 934
1.4	2	39106020	CONNECTION SCREW M6X20 STAINLESS TORX 30
1.5	1	39206037	SPLICING SLEEVE M6X37 STAINLESS TORX 30
1.6	2	35600058	NUT WASHER Ø8X8,4/24/2 A2 DIN9021
1.7	2	20037	MASTER CLAMP WASHER Ø10,5/45 1,5 A2



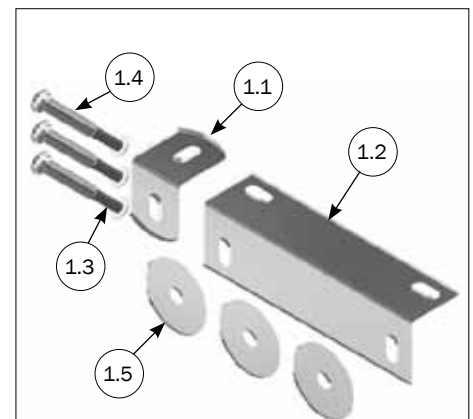
MOUNTING OF U-POST AGAINST U-POST FRONT PART



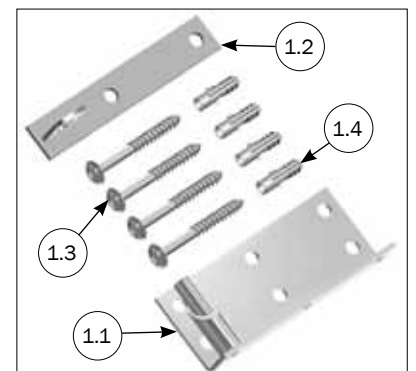
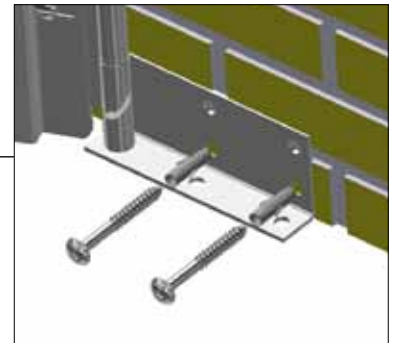
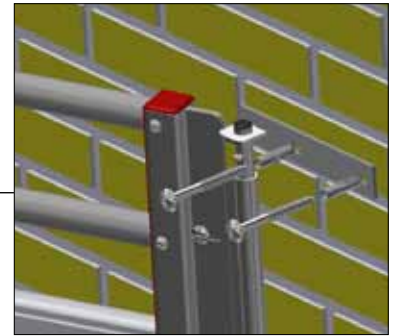
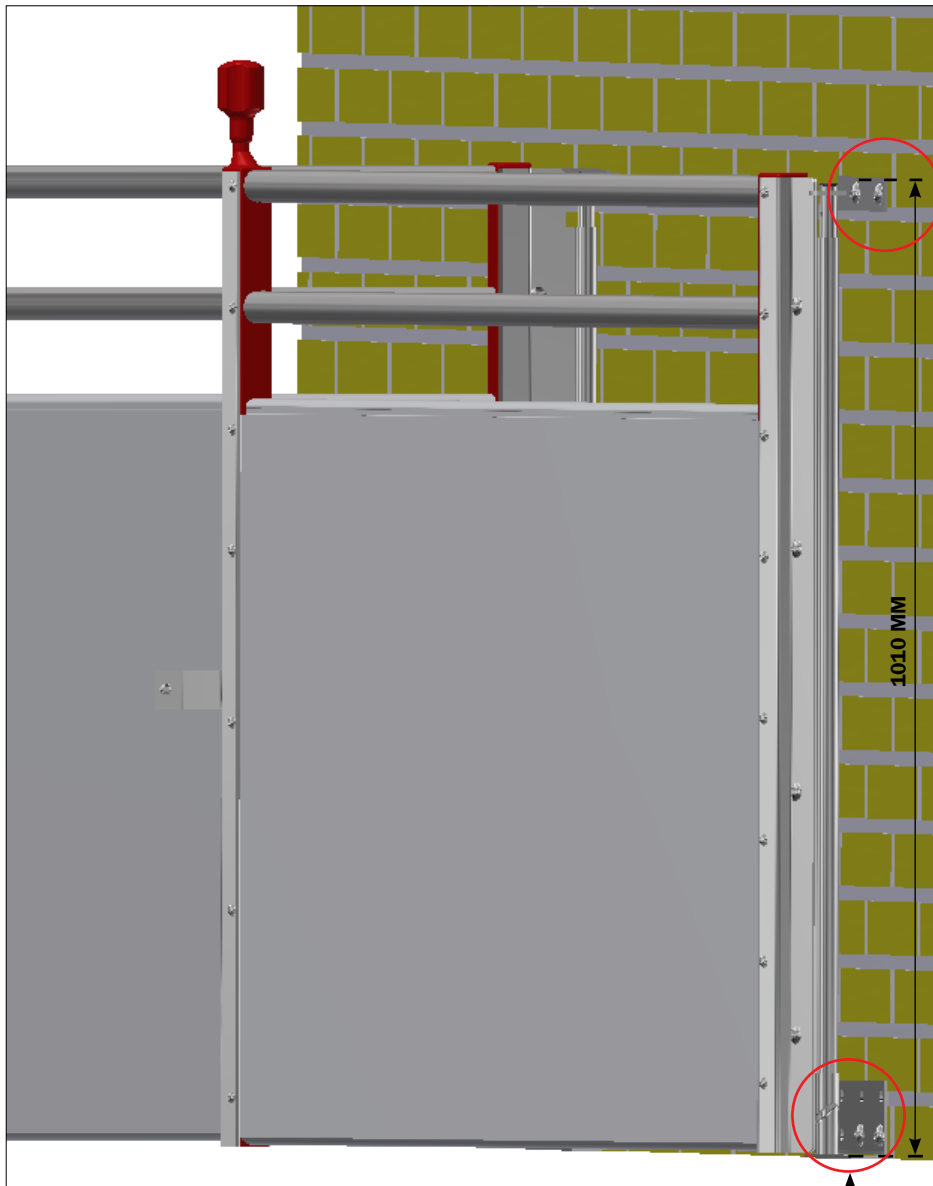
Bracket on U-post is mounted with connection screw from post
POS 1.3-1.4 og 1.5 is not in use.



PARTS LIST			
NO.	PCS.	ITEM NO.	DESCRIPTION
1	1	38526	MOUNT KIT F/UPOST AGAINST FRONT PART BOARDPROFILE
1.1	1	30900	WALL BRACKET SMALL
1.2	1	30901	ANGLE BRACKET, LONG
1.3	3	39106020	CONNECTION SCREW M6X20 STAINLESS TORX 30
1.4	3	39206037	SPLICING SLEEVE M6X37 STAINLESS TORX 30
1.5	3	20037	MASTER CLAMP WASHER Ø10,5/45 1,5 A2

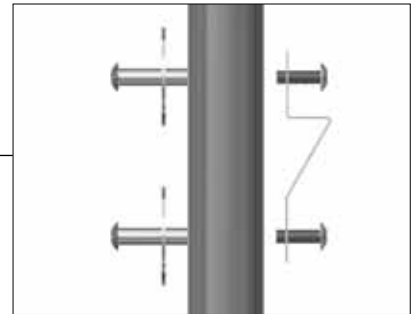
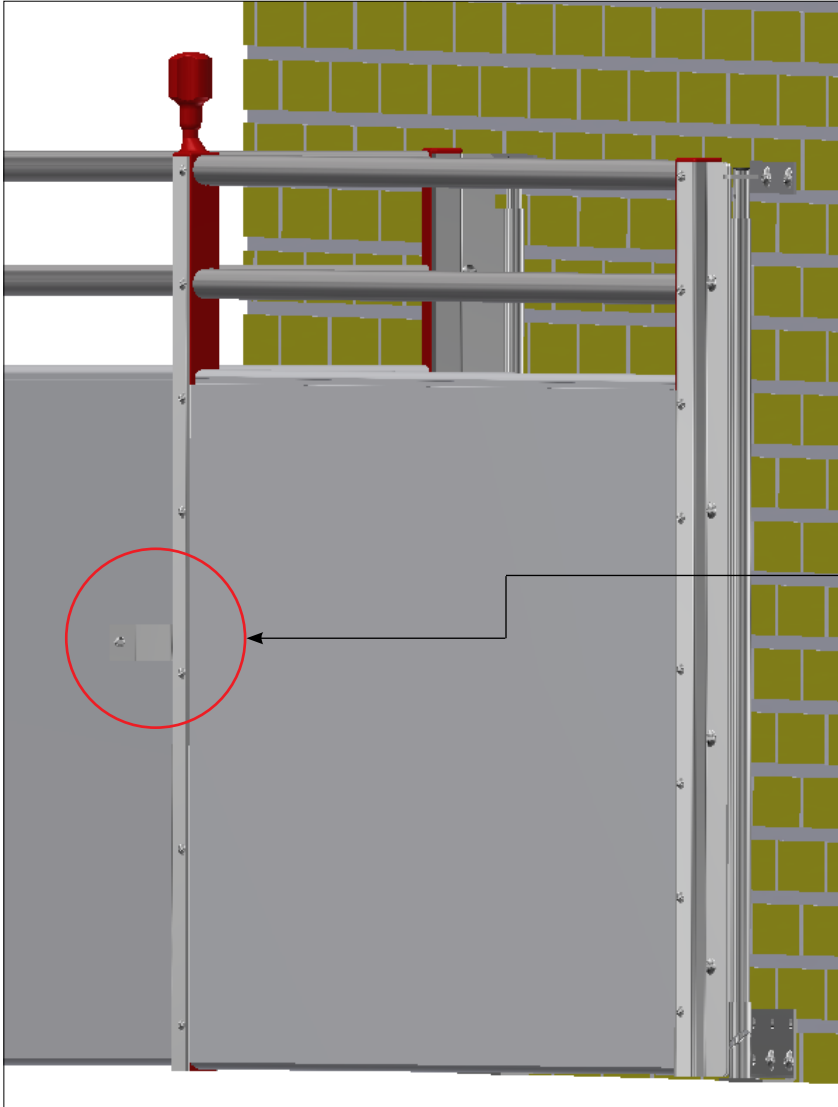


MOUNTING OF GATE AGAINST WALL

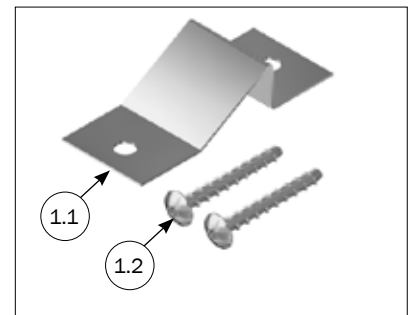


PARTS LIST			
NO.	PCS.	ITEM NO.	DESCRIPTION
1	1	38538	MOUNT KIT W/PINTLE LEFT F/GATE AGAINST WALL
1.1	1	17400	PINTLE BRACKET BASE LEFT
1.2	1	17402	PINTLE BRACKET PEG
1.3	4	67444	10 X 70 BUTTON HEAD TORX 50 STAINLESS STEEL
1.4	4	39900001	WALL PLUG 12X60 MM

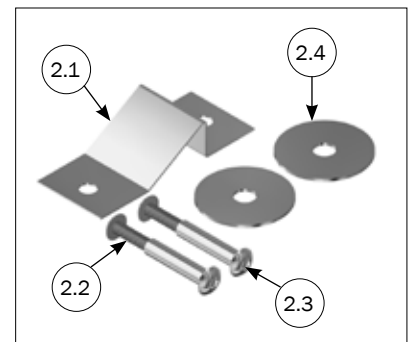
MOUNTING OF GATE STOP



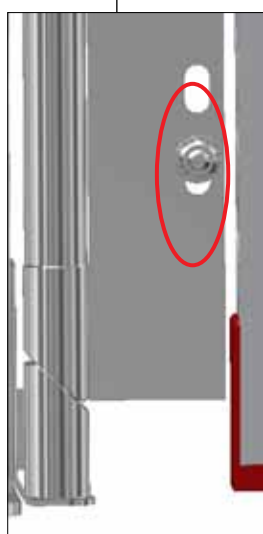
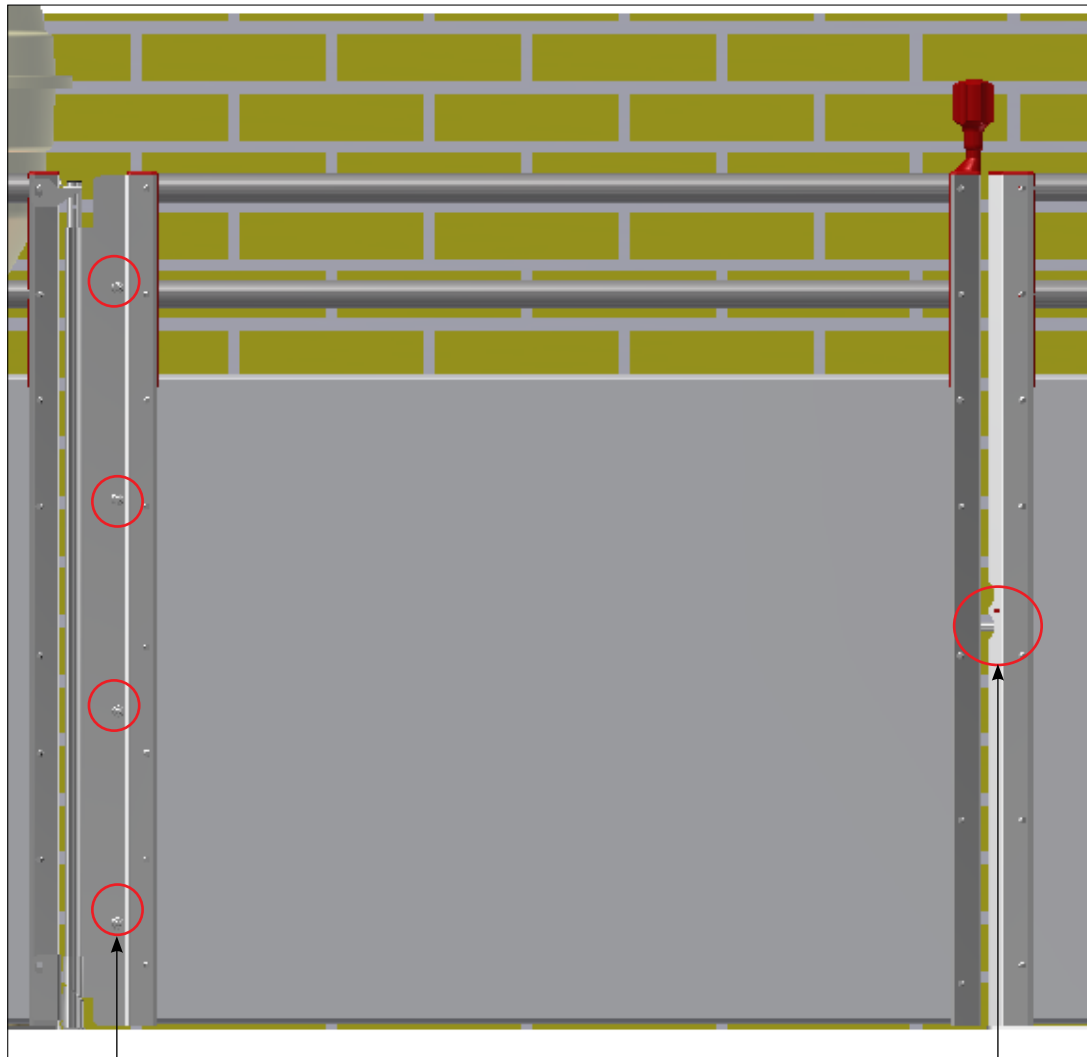
Gate stop is mounted on wall or gate on the opposite side of the hallway and placed in the same height as the lock pawl



PARTS LIST			
NO.	PCS.	ITEM NO.	DESCRIPTION
		38537	MOUNT KIT FOR GATE STOP AGAINST WALL
1.1	1	38935	GATE STOP
1.2	2	39406050	CONCRETE SCREW 6,5 X 50 STAINLESS STEEL
1	1	38536	MOUNT KIT F/GATE STOP OPPOSITE GATE
2.1	1	38935	GATE STOP
2.2	2	39106020	CONNECTION SCREW M6X20 STAINLESS TORX 30
2.3	2	39206037	SPLICING SLEEVE M6X37 STAINLESS TORX 30
2.4	2	20037	MASTER CLAMP WASHER Ø10,5/45 1,5 A2



ADJUSTMENT OF GATE

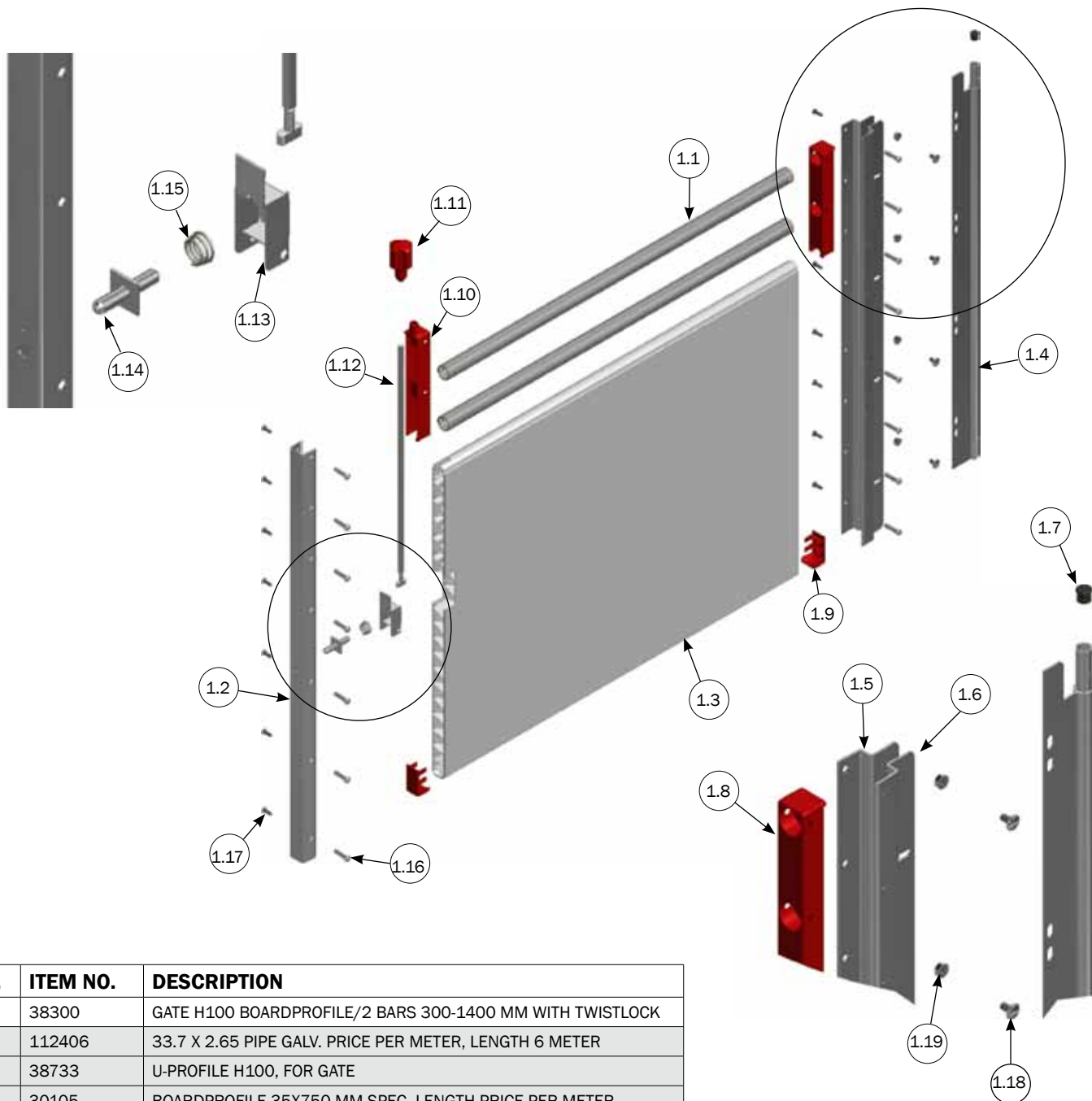


For adjustment or lift of gate must the 4 bolt in hinge rail be loosened.

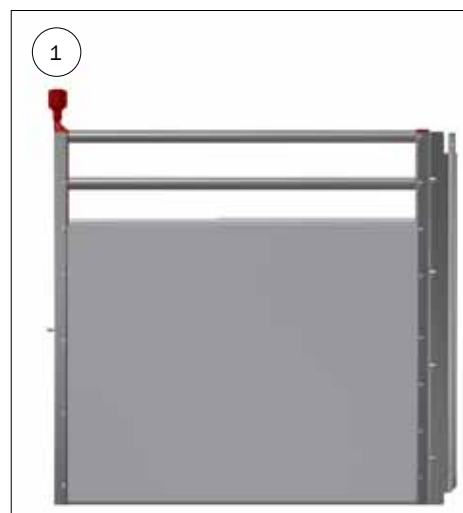


Distance between U-post on gate and receiverpost is: 5 mm

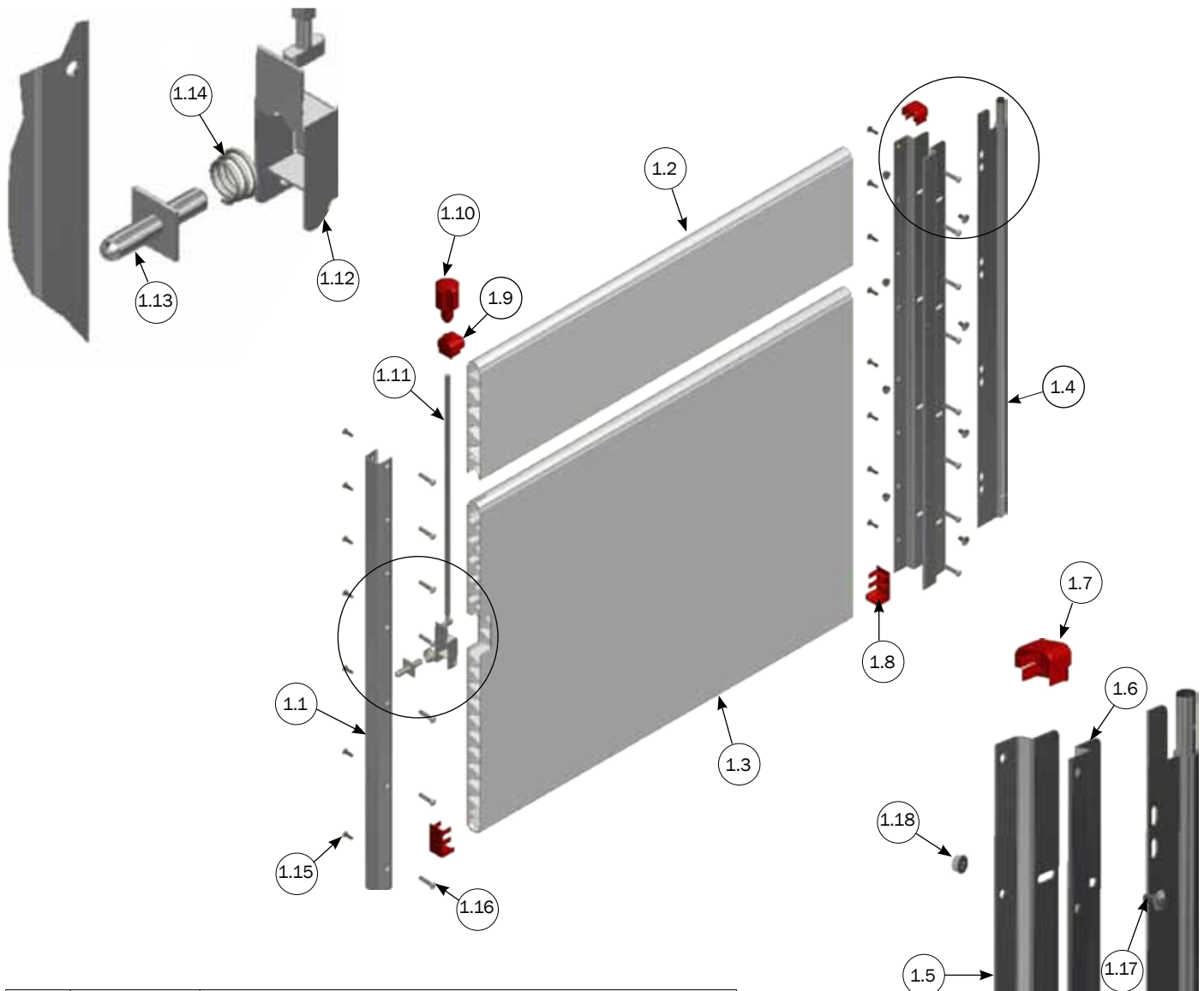
GATE FOR CLEAN-O-FLEX 1000 H110 300-1400 MM 2 PIPE/BOARDPROFILE WITH TWIST LOCK



NO.	ITEM NO.	DESCRIPTION
1	38300	GATE H100 BOARDPROFILE/2 BARS 300-1400 MM WITH TWISTLOCK
1.1	112406	33.7 X 2.65 PIPE GALV. PRICE PER METER, LENGTH 6 METER
1.2	38733	U-PROFILE H100, FOR GATE
1.3	30105	BOARDPROFILE 35X750 MM SPEC. LENGTH PRICE PER METER
1.4	38829	HINGE RAIL H100 CM INCL. PEG
1.5	38811	CLEAN-O-FLEX® Z-RAIL H100 LEFT
1.6	38812	CLEAN-O-FLEX® Z-RAIL H100 RIGHT
1.7	30077	PLUG Ø18 X 0,8-2,5/WELD ON PEG
1.8	30006	PLUG PANEL TOP 2 TOP PIPES
1.9	30013	PLUG PANEL BOTTOM 50 CM/75 CM PANEL
1.10	30009	PLUG PANEL 2 TOPPIPES/GATE LOCK
1.11	30020	KNOB TURN ROD CLEAN-O-FLEX®/INN-O-FLEX
1.12	38841	TURN ROD 8 MM GATE H100 CM
1.13	17220	LOCK BOX CLEAN-O-FLEX® PANEL GATE
1.14	17215	LOCK PAWL 68 MM TURN LOCK
1.15	17250	SPRING 2,25 X 14/32 LOCK BOX
1.16	39106020	CONNECTION SCREW M6X20 STAINLESS TORX 30
1.17	39206037	SPLICING SLEEVE M6X37 STAINLESS TORX 30
1.18	67323	8 X 16 SCREW SS FRH
1.19	68552	M8 FLANGE NUT DIN 6923 A2



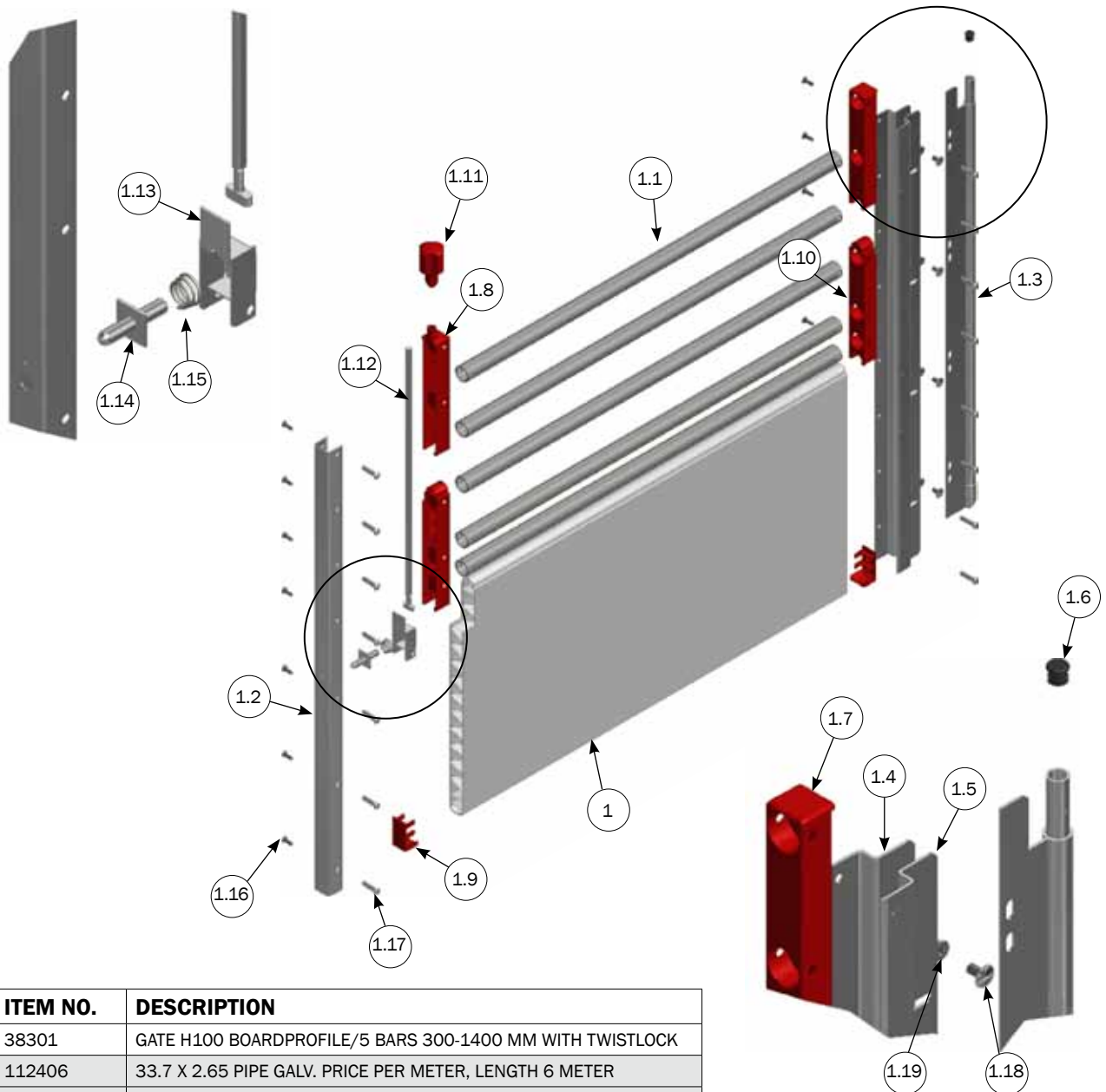
GATE FOR CLEAN-O-FLEX 1000 H100 300-1400 MM BOARDPROFILE WITH TWIST LOCK



NO.	ITEM NO.	DESCRIPTION
1	38500	GATE H100 BOARDPROFILE 300-1400 MM WITH TWISTLOCK
1.1	38733	U-PROFILE H100, FOR GATE
1.2	30099	BOARDPROFILE 35X250 MM SPEC. LENGTH PRICE PER METER
1.3	30105	BOARDPROFILE 35X750 MM SPEC. LENGTH PRICE PER METER
1.4	38829	HINGE RAIL H100 CM INCL. PEG
1.5	38811	CLEAN-O-FLEX® Z-RAIL H100 LEFT
1.6	38812	CLEAN-O-FLEX® Z-RAIL H100 RIGHT
1.7	30001	PLUG PANEL TOP
1.8	30013	PLUG PANEL BOTTOM 50 CM/75 CM PANEL
1.9	30008	PLUG PANEL TOP/GATE LOCK
1.10	30020	KNOB TURN ROD CLEAN-O-FLEX®/INN-O-FLEX
1.11	38841	TURN ROD 8 MM GATE H100 CM
1.12	17220	LOCK BOX CLEAN-O-FLEX® PANEL GATE
1.13	17215	LOCK PAWL 68 MM TURN LOCK
1.14	17250	SPRING 2,25 X 14/32 LOCK BOX
1.15	39106020	CONNECTION SCREW M6X20 STAINLESS TORX 30
1.16	39206037	SPLICING SLEEVE M6X37 STAINLESS TORX 30
1.17	67323	8 X 16 SCREW SS FRH
1.18	68552	M8 FLANGE NUT DIN 6923 A2



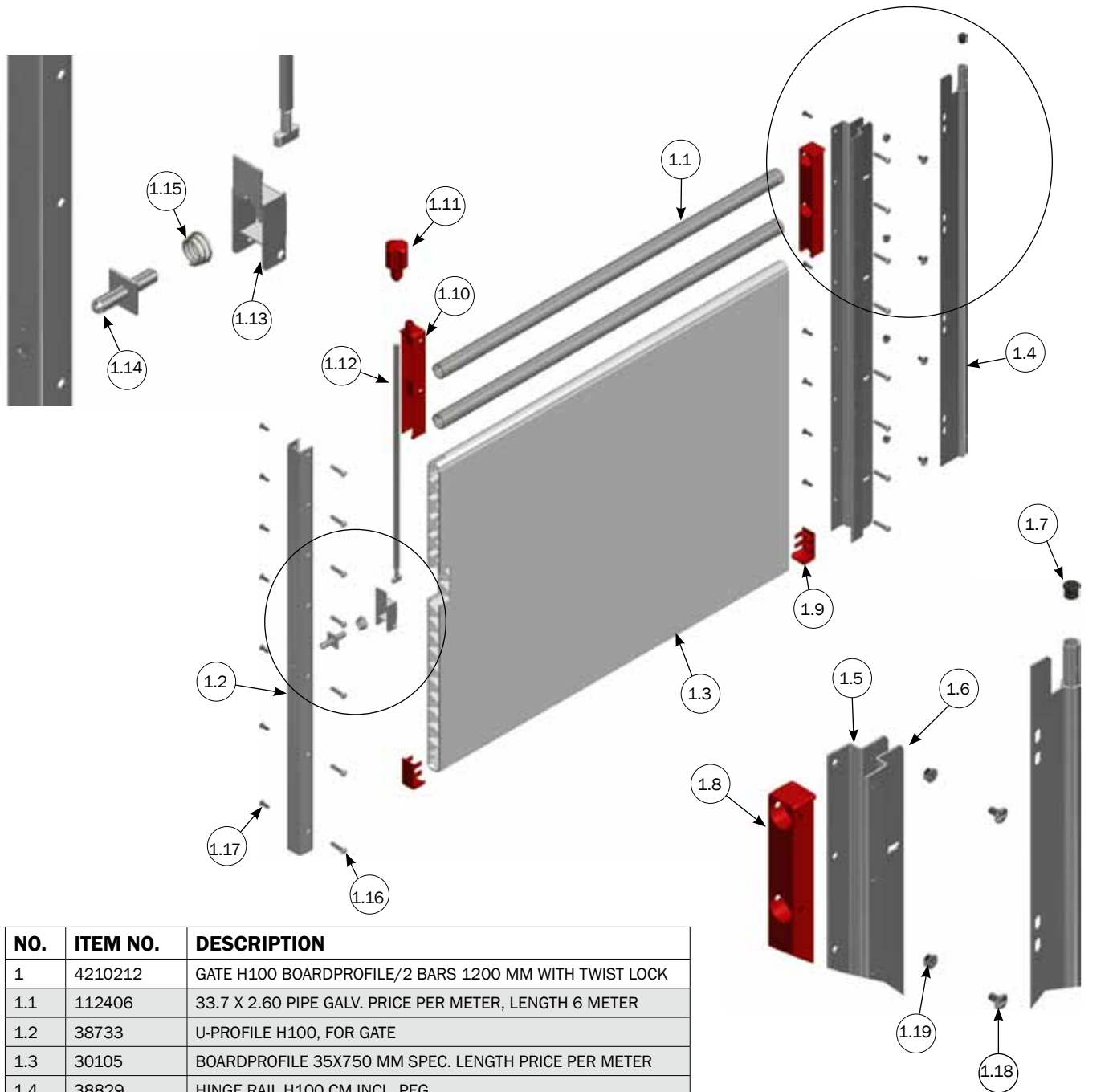
GATE FOR CLEAN-O-FLEX 1000 H110 300-1400 MM 5 BAR/BOARDPROFILE WITH TWIST LOCK



NO.	ITEM NO.	DESCRIPTION
1	38301	GATE H100 BOARDPROFILE/5 BARS 300-1400 MM WITH TWISTLOCK
1.1	112406	33.7 X 2.65 PIPE GALV. PRICE PER METER, LENGTH 6 METER
1.2	38733	U-PROFILE H100, FOR GATE
1.3	38829	HINGE RAIL H100 CM INCL. PEG
1.4	38811	CLEAN-O-FLEX® Z-RAIL H100 LEFT
1.5	38812	CLEAN-O-FLEX® Z-RAIL H100 RIGHT
1.6	30077	PLUG Ø18 X 0,8-2,5/WELD ON PEG
1.7	30006	PLUG PANEL TOP 2 TOP PIPES
1.8	30009	PLUG PANEL 2 TOPPIPES/GATE LOCK
1.9	30013	PLUG PANEL BOTTOM 50 CM/75 CM PANEL
1.10	30016	PLUG 3 TOP PIPES
1.11	30020	KNOB TURN ROD CLEAN-O-FLEX®/INN-O-FLEX
1.12	38841	TURN ROD 8 MM GATE H100 CM
1.13	17220	LOCK BOX CLEAN-O-FLEX® PANEL GATE
1.14	17215	LOCK PAWL 68 MM TURN LOCK
1.15	17250	SPRING 2,25 X 14/32 LOCK BOX
1.16	39106020	CONNECTION SCREW M6X20 STAINLESS TORX 30
1.17	39206037	SPLICING SLEEVE M6X37 STAINLESS TORX 30
1.18	67323	8 X 16 SCREW SS FRH
1.19	68552	M8 FLANGE NUT DIN 6923 A2



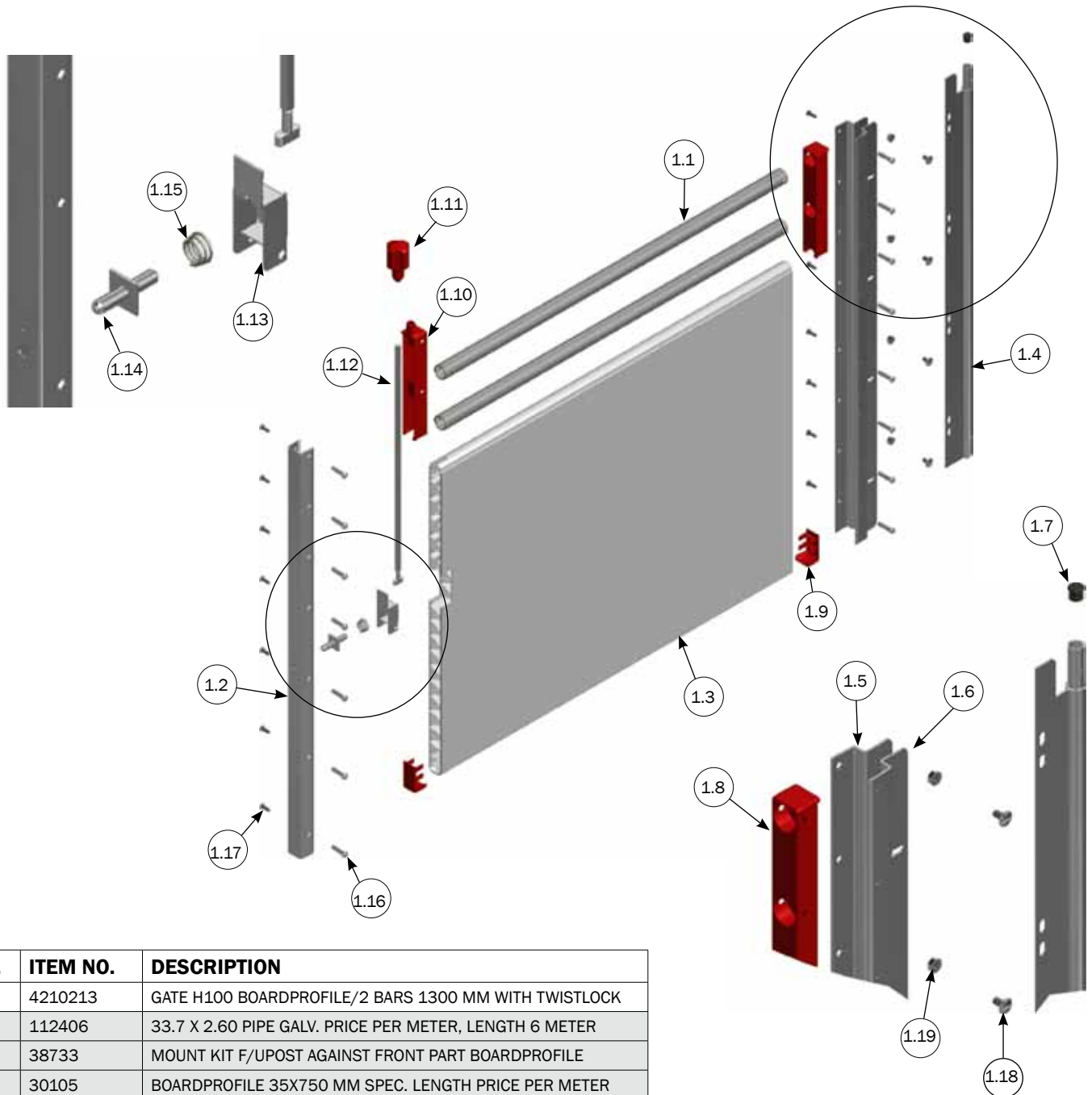
GATE FOR CLEAN-O-FLEX 1000 H110 1200 MM 2 BAR/BOARDPROFILE WITH TWIST LOCK



NO.	ITEM NO.	DESCRIPTION
1	4210212	GATE H100 BOARDPROFILE/2 BARS 1200 MM WITH TWIST LOCK
1.1	112406	33.7 X 2.60 PIPE GALV. PRICE PER METER, LENGTH 6 METER
1.2	38733	U-PROFILE H100, FOR GATE
1.3	30105	BOARDPROFILE 35X750 MM SPEC. LENGTH PRICE PER METER
1.4	38829	HINGE RAIL H100 CM INCL. PEG
1.5	38811	CLEAN-O-FLEX® Z-RAIL H100 LEFT
1.6	38812	CLEAN-O-FLEX® Z-RAIL H100 RIGHT
1.7	30077	PLUG Ø18 X 0,8-2,5/WELD ON PEG
1.8	30006	PLUG PANEL TOP 2 TOP PIPES
1.9	30013	PLUG PANEL BOTTOM 50 CM/75 CM PANEL
1.10	30009	PLUG PANEL 2 TOPPIPES/GATE LOCK
1.11	30020	KNOB TURN ROD CLEAN-O-FLEX®/INN-O-FLEX
1.12	38841	TURN ROD 8 MM GATE H100 CM
1.13	17220	LOCK BOX CLEAN-O-FLEX® PANEL GATE
1.14	17215	LOCK PAWL 68 MM TURN LOCK
1.15	17250	SPRING 2,25 X 14/32 LOCK BOX
1.16	39106020	CONNECTION SCREW M6X20 STAINLESS TORX 30
1.17	39206037	SPLICING SLEEVE M6X37 STAINLESS TORX 30
1.18	67323	8 X 16 SCREW SS FRH
1.19	68552	M8 FLANGE NUT DIN 6923 A2



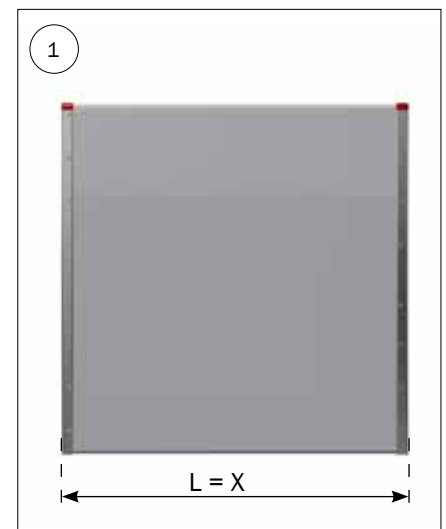
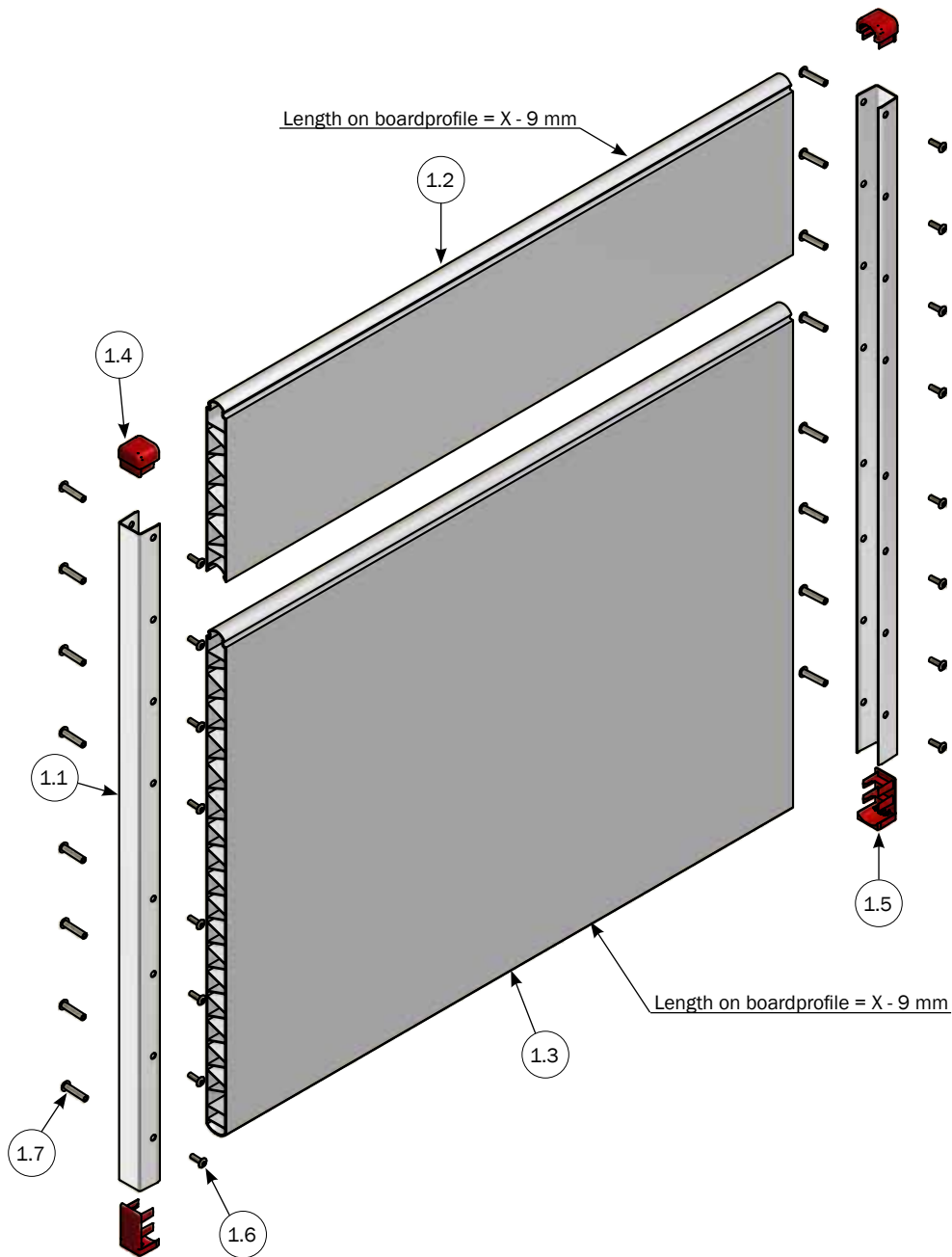
GATE FOR CLEAN-O-FLEX 1000 H110 1300 MM 2 BAR/BOARDPROFILE WITH TWIST LOCK



NO.	ITEM NO.	DESCRIPTION
1	4210213	GATE H100 BOARDPROFILE/2 BARS 1300 MM WITH TWISTLOCK
1.1	112406	33.7 X 2.60 PIPE GALV. PRICE PER METER, LENGTH 6 METER
1.2	38733	MOUNT KIT F/UPOST AGAINST FRONT PART BOARDPROFILE
1.3	30105	BOARDPROFILE 35X750 MM SPEC. LENGTH PRICE PER METER
1.4	38829	MOUNT KIT F/GRILL H75 AGAINSTFRONT PART BOARDPROFILE
1.5	38811	CLEAN-O-FLEX® Z-RAIL H100 LEFT
1.6	38812	CLEAN-O-FLEX® Z-RAIL H100 RIGHT
1.7	30077	PLUG Ø18 X 0,8-2,5/WELD ON PEG
1.8	30006	PLUG PANEL TOP 2 TOP PIPES
1.9	30013	PLUG PANEL BOTTOM 50 CM/75 CM PANEL
1.10	30009	PLUG PANEL 2 TOPPIPES/GATE LOCK
1.11	30020	KNOB TURN ROD CLEAN-O-FLEX®/INN-O-FLEX
1.12	38841	TURN ROD 8 MM GATE H100 CM
1.13	17220	LOCK BOX CLEAN-O-FLEX® PANEL GATE
1.14	17215	LOCK PAWL 68 MM TURN LOCK
1.15	17250	SPRING 2,25 X 14/32 LOCK BOX
1.16	39106020	CONNECTION SCREW M6X20 STAINLESS TORX 30
1.17	39206037	SPLICING SLEEVE M6X37 STAINLESS TORX 30
1.18	67323	8 X 16 SCREW SS FRH
1.19	68552	M8 FLANGE NUT DIN 6923 A2



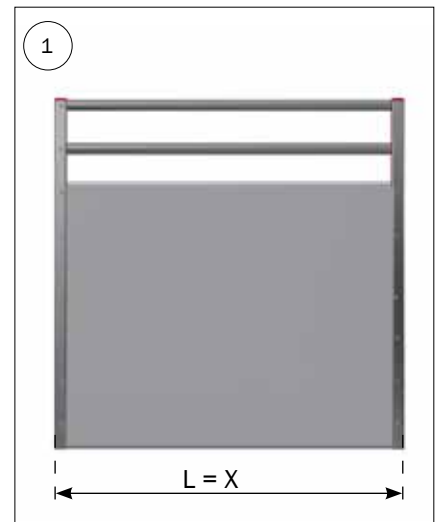
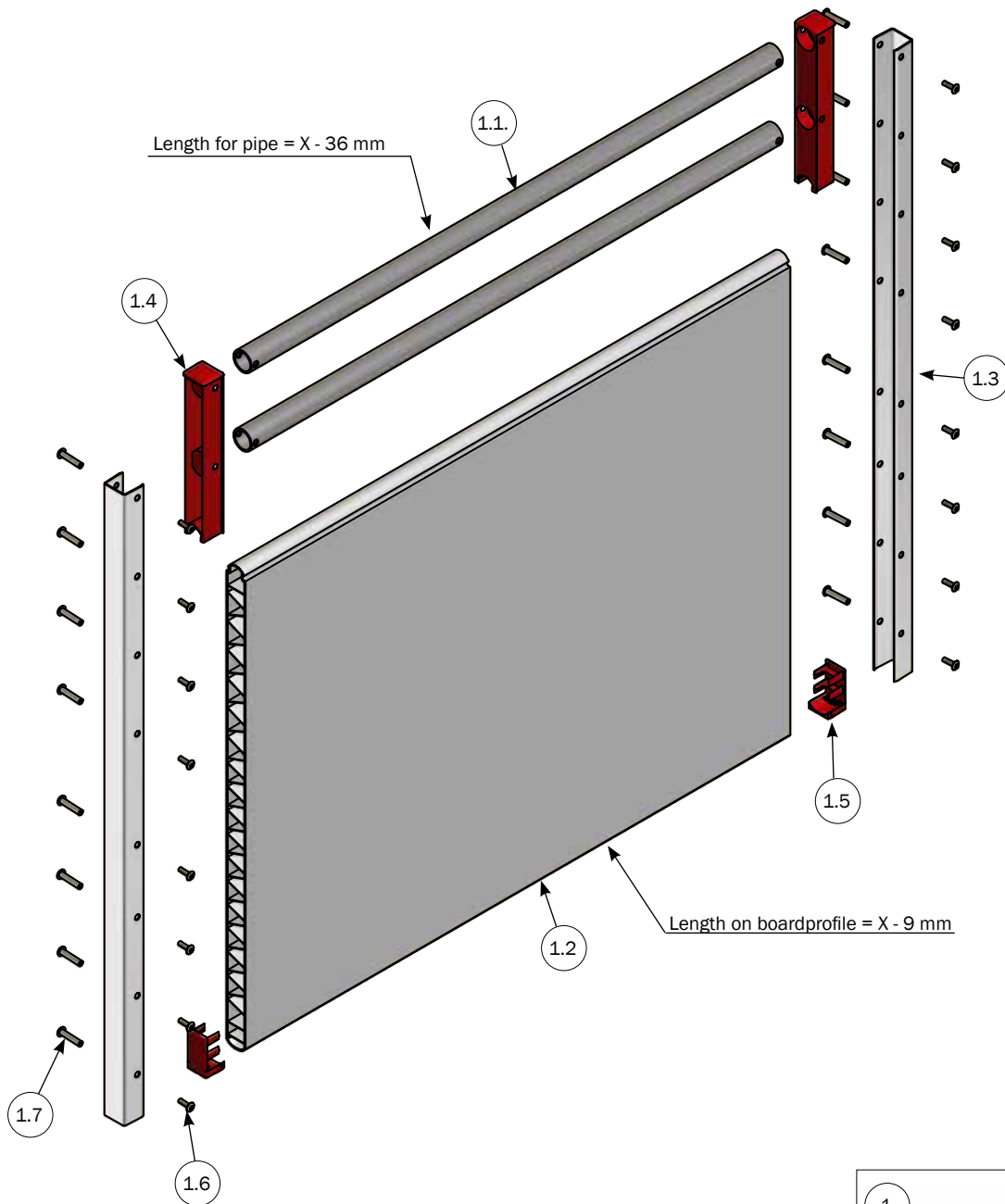
UNASSEMBLED PARTITION FOR CLEAN-O-FLEX 1000 BOARDPROFILE



PARTS LIST

NO.	PCS.	ITEM NO.	DESCRIPTION
1	1	37300U	KIT FOR SIDE H100 BOARDPROFILE UPROFILE/UPROFILE
1.1	2	38731	CLEAN-O-FLEX® U-PROFILE H100
1.2	LBM	30099	BOARDPROFILE 35X250 MM SPEC. LENGTH PRICE PER METER
1.3	LBM	30105	BOARDPROFILE 35X750 MM SPEC. LENGTH PRICE PER METER
1.4	2	30001	PLUG PANEL TOP
1.5	2	30013	PLUG PANEL BOTTOM 50 CM/75 CM PANEL
1.6	16	39106020	CONNECTION SCREW M6X20 STAINLESS TORX 30
1.7	16	39206037	SPLICING SLEEVE M6X37 STAINLESS TORX 30

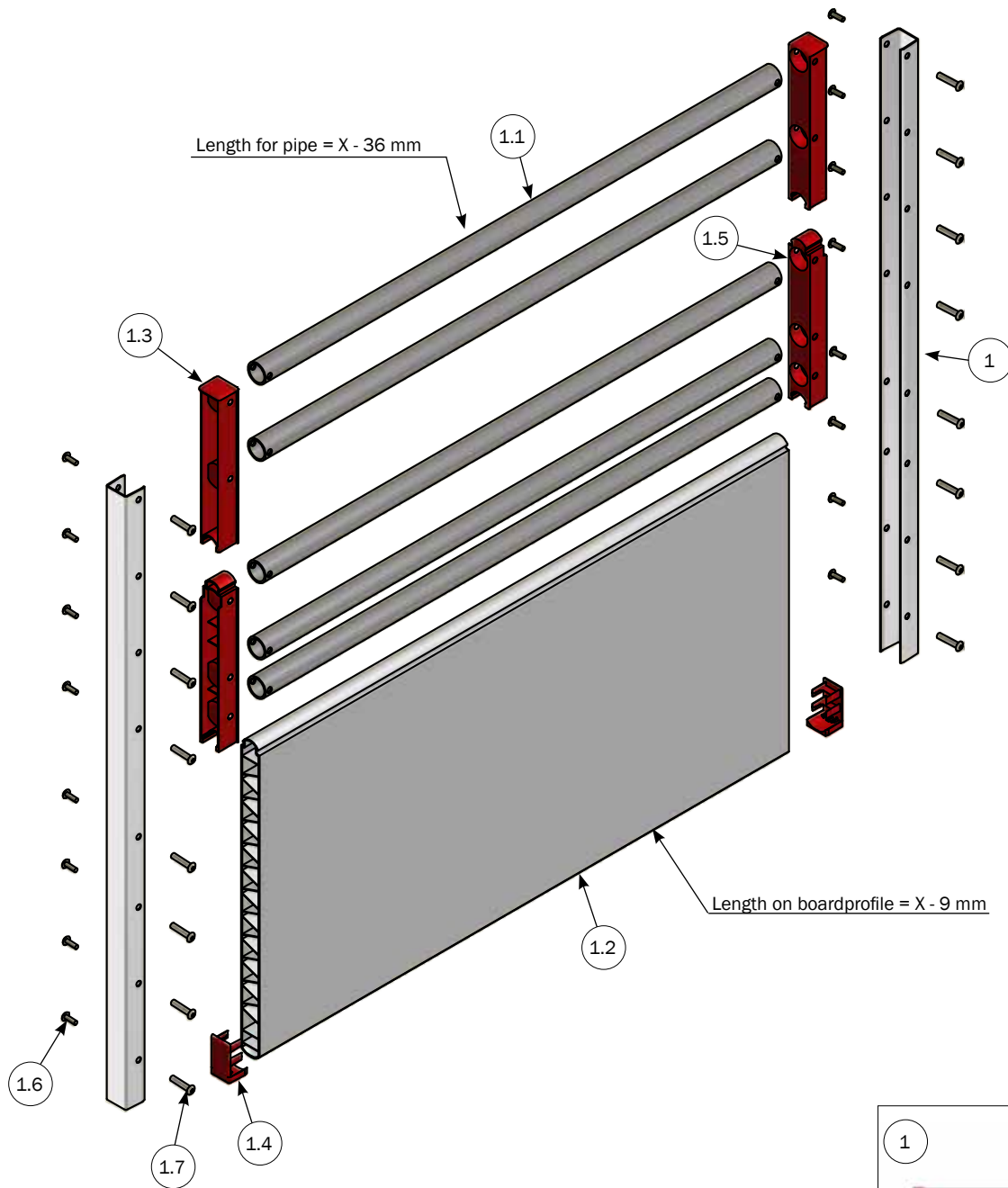
UNASSEMBLED PARTITION FOR CLEAN-O-FLEX 1000 2 BARS/BOARDPROFILE



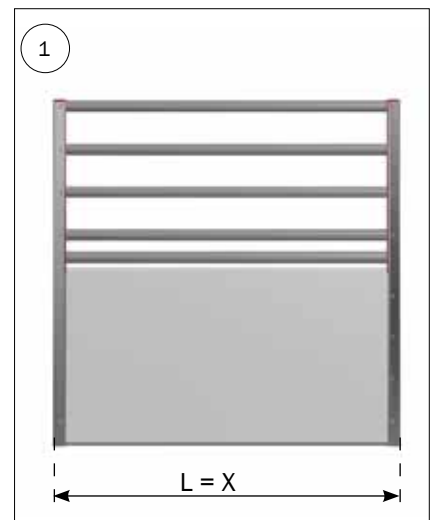
PARTS LIST

NO.	PCS.	ITEM NO.	DESCRIPTION
1	1	36400U	KIT FOR SIDE H100 BOARDPROFILE/2BARS UPROFILE/UPROFILE
1.1	LBM	112406	33.7 X 2.60 PIPE GALV. PRICE PER METER, LENGTH 6 METER
1.2	LBM	30105	BOARDPROFILE 35X750 MM SPEC. LENGTH PRICE PER METER
1.3	2	38731	CLEAN-O-FLEX® U-PROFILE H100
1.4	2	30006	PLUG PANEL TOP 2 TOP PIPES
1.5	2	30013	PLUG PANEL BOTTOM 50 CM/75 CM PANEL
1.6	16	39106020	CONNECTION SCREW M6X20 STAINLESS TORX 30
1.7	16	39206037	SPLICING SLEEVE M6X37 STAINLESS TORX 30

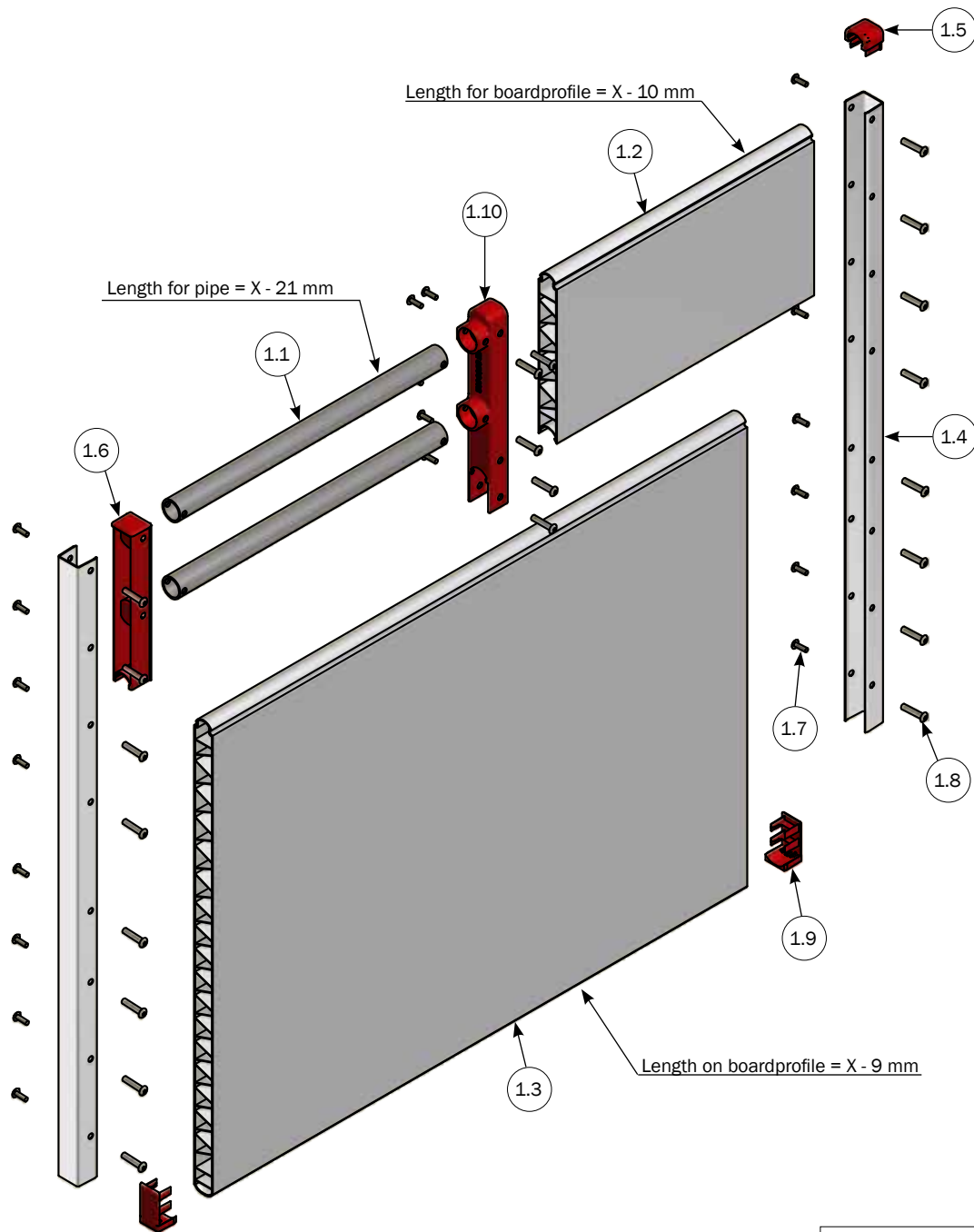
UNASSEMBLED PARTITION FOR CLEAN-O-FLEX 1000 5 BARS/BOARDPROFILE



PARTS LIST			
NO.	PCS.	ITEM NO.	DESCRIPTION
1	1	36407U	KIT FOR SIDE H100 BOARDPROFILE/5 BARSUPROFILE/UPROFILE
1.1	LBM	112406	33.7 X 2.60 PIPE GALV. PRICE PER METER, LENGTH 6 METER
1.2	LBM	30102	BOARDPROFILE 35X500 MM SPEC. LENGTH PRICE PER METER
1.3	2	30006	PLUG PANEL TOP 2 TOP PIPES
1.4	2	30013	PLUG PANEL BOTTOM 50 CM/75 CM PANEL
1.5	2	30016	PLUG 3 TOP PIPES
1.6	16	39106020	CONNECTION SCREW M6X20 STAINLESS TORX 30
1.7	16	39206037	SPLICING SLEEVE M6X37 STAINLESS TORX 30

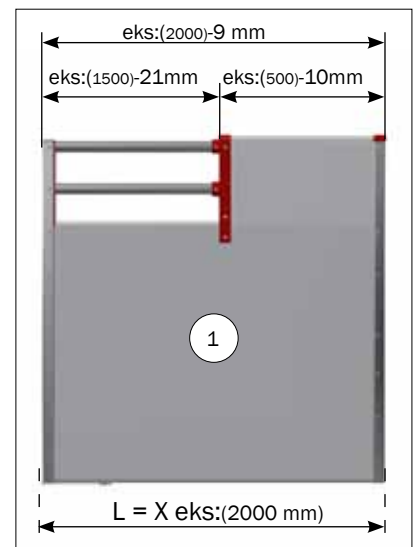


UNASSEMBLED FOR CLEAN-O-FLEX 1000 COMBI 2 BARS/BOARDPROFILE

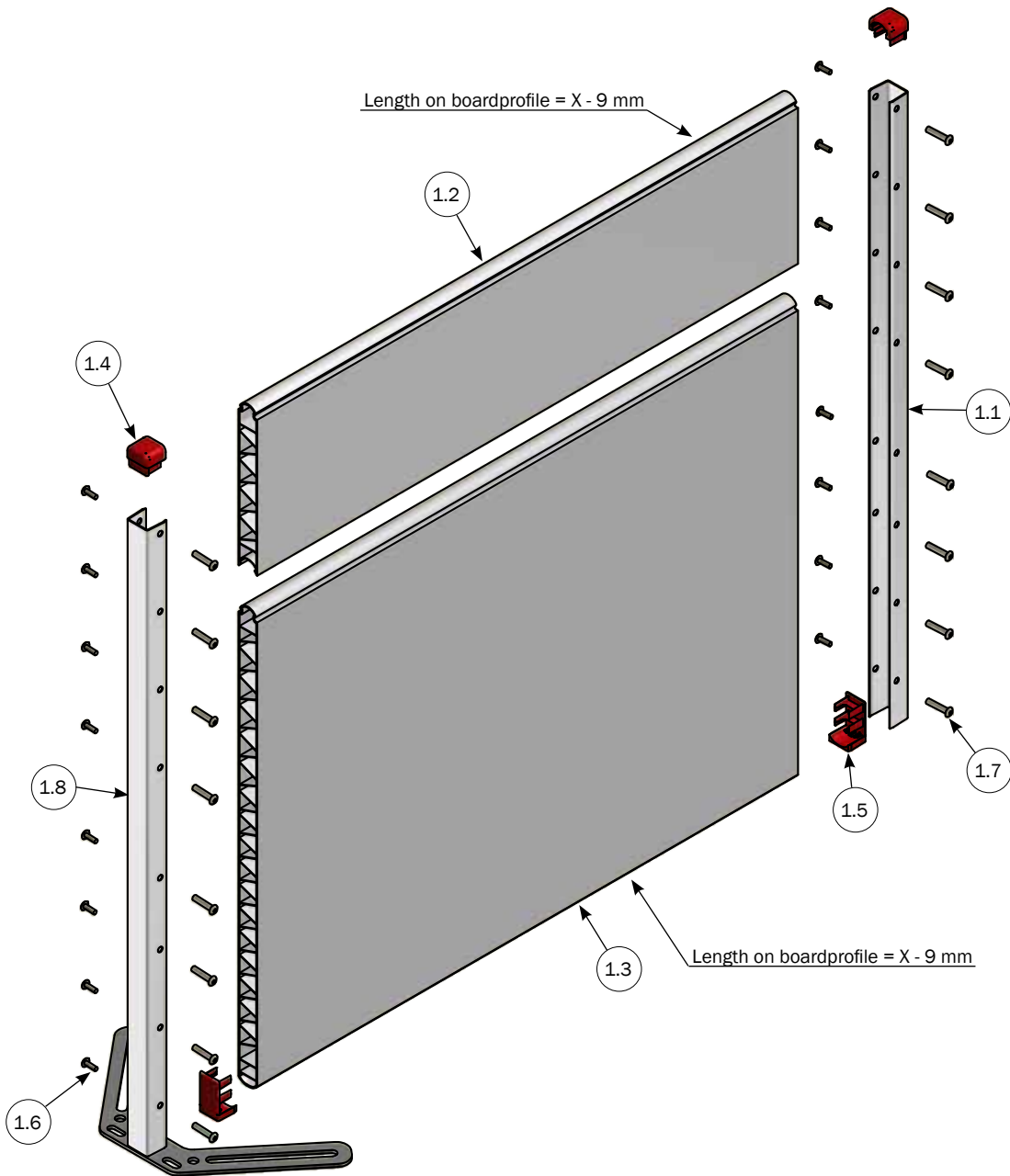


PARTS LIST

No.	PCS.	ITEM NO.	DESCRIPTION
1	1	36460U	KIT FOR SIDE H100 COMBI BOARDPROFILE/2 BARS UPROFILE/UPROFILE
1.1	LBM	112406	33.7 X 2.60 PIPE GALV. PRICE PER METER, LENGTH 6 METER
1.2	LBM	30099	BOARDPROFILE 35X250 MM SPEC. LENGTH PRICE PER METER
1.3	LBM	30105	BOARDPROFILE 35X750 MM SPEC. LENGTH PRICE PER METER
1.4	2	38731	CLEAN-O-FLEX® U-PROFILE H100
1.5	1	30001	PLUG PANEL TOP
1.6	1	30006	PLUG PANEL TOP 2 TOP PIPES
1.7	21	39106020	CONNECTION SCREW M6X20 STAINLESS TORX 30
1.8	21	39206037	SPLICING SLEEVE M6X37 STAINLESS TORX 30
1.9	2	30013	PLUG PANEL BOTTOM 50 CM/75 CM PANEL
1.10	1	8500402	PLUG PANEL 2 TOPPIPES COMBI

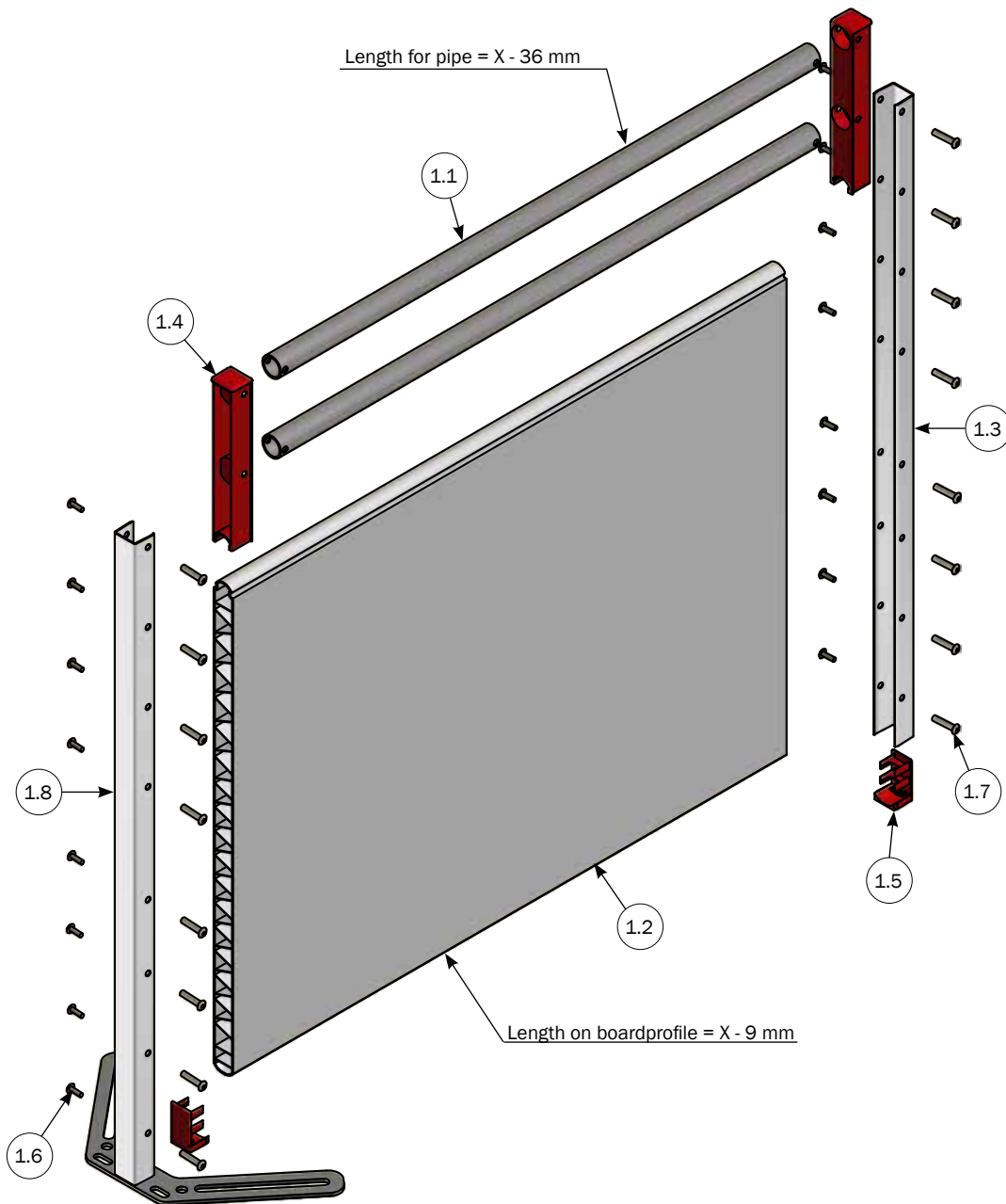


UNASSEMBLED PARTITION FOR CLEAN-O-FLEX 1000 BOARDPROFILE



PARTS LIST			
NO.	PCS.	ITEM NO.	DESCRIPTION
1	1	4210502U	KIT FOR SIDE H100 BOARDPROFILE POST/UPROFILE
1.1	1	38731	CLEAN-O-FLEX® U-PROFILE H100
1.2	LBM	30099	BOARDPROFILE 35X250 MM SPEC. LENGTH PRICE PER METER
1.3	LBM	30105	BOARDPROFILE 35X750 MM SPEC. LENGTH PRICE PER METER
1.4	2	30001	PLUG PANEL TOP
1.5	2	30013	PLUG PANEL BOTTOM 50 CM/75 CM PANEL
1.6	16	39106020	CONNECTION SCREW M6X20 STAINLESS TORX 30
1.7	16	39206037	SPLICING SLEEVE M6X37 STAINLESS TORX 30
1.8	1	4250006	POST FOR CLEAN-O-FLEX H1000

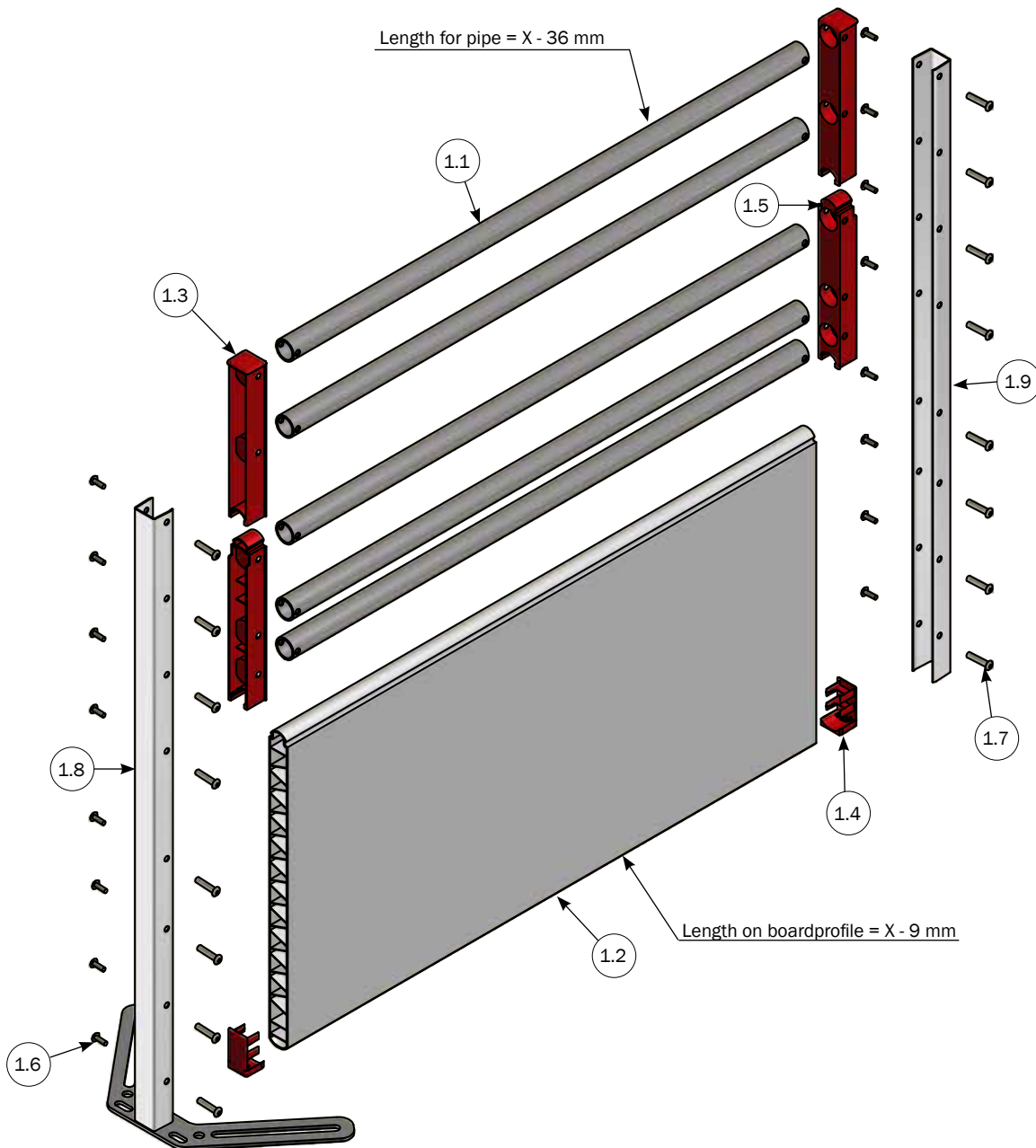
UNASSEMBLED PARTITION FOR CLEAN-O-FLEX 1000 2 BARS/BOARDPROFILE



PARTS LIST			
NO.	PCS.	ITEM NO.	DESCRIPTION
1	1	4210500U	KIT FOR SIDE H100 BOARDPROFILE/2 BARSPOST/UPROFILE
1.1	LBM	112406	33.7 X 2.60 PIPE GALV. PRICE PER METER, LENGTH 6 METER
1.2	LBM	30105	BOARDPROFILE 35X750 MM SPEC. LENGTH PRICE PER METER
1.3	1	38731	CLEAN-O-FLEX® U-PROFILE H100
1.4	2	30006	PLUG PANEL TOP 2 TOP PIPES
1.5	2	30013	PLUG PANEL BOTTOM 50 CM/75 CM PANEL
1.6	16	39106020	CONNECTION SCREW M6X20 STAINLESS TORX 30
1.7	16	39206037	SPLICING SLEEVE M6X37 STAINLESS TORX 30
1.8	1	4250006	POST FOR CLEAN-O-FLEX H1000

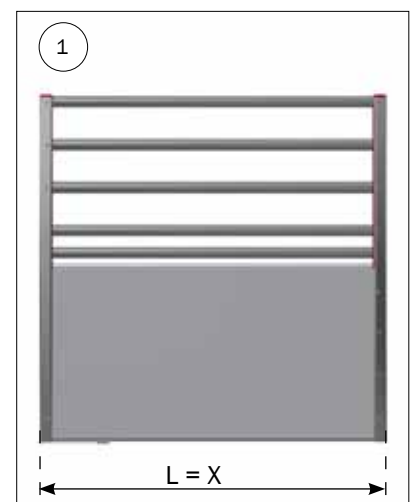


UNASSEMBLED PARTITION FOR CLEAN-O-FLEX 1000 BOARDPROFILE/5 BARS

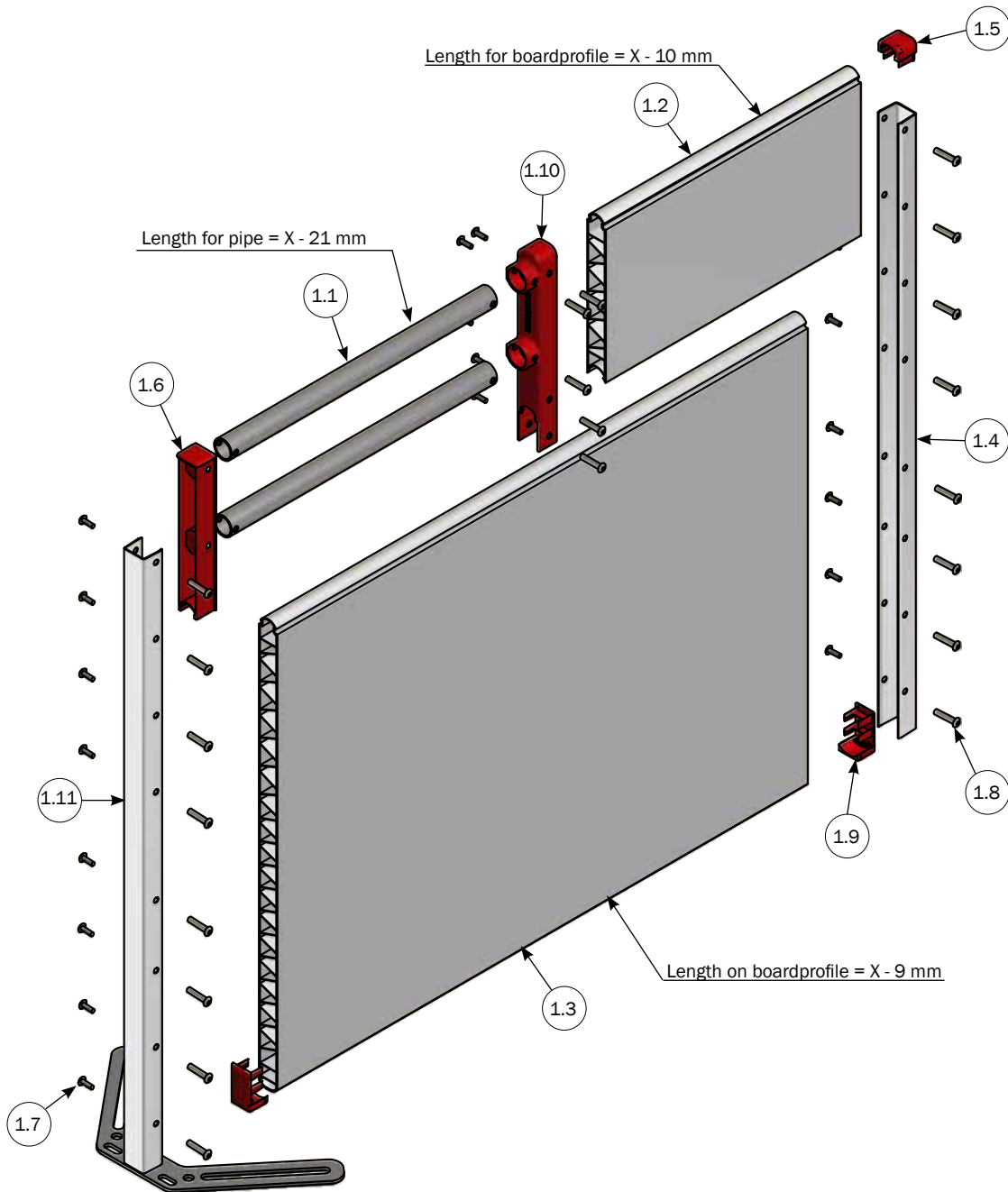


PARTS LIST

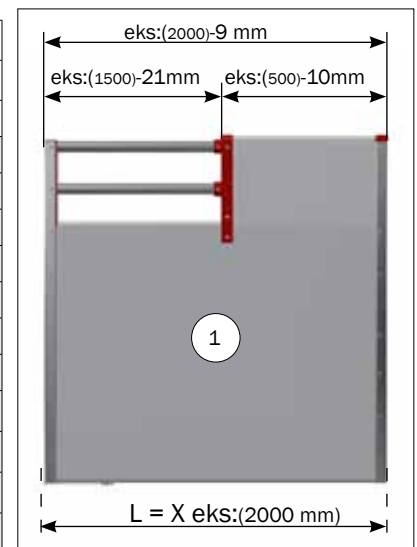
NO.	PCS.	ITEM NO.	DESCRIPTION
1	1	4210501U	KIT FOR SIDE H100 BOARDPROFILE/5 BARSPOST/UPROFILE
1.1	LBM	112406	33.7 X 2.60 PIPE GALV. PRICE PER METER, LENGTH 6 METER
1.2	LBM	30102	BOARDPROFILE 35X500 MM SPEC. LENGTH PRICE PER METER
1.3	2	30006	PLUG PANEL TOP 2 TOP PIPES
1.4	2	30013	PLUG PANEL BOTTOM 50 CM/75 CM PANEL
1.5	2	30016	PLUG 3 TOP PIPES
1.6	16	39106020	CONNECTION SCREW M6X20 STAINLESS TORX 30
1.7	16	39206037	SPLICING SLEEVE M6X37 STAINLESS TORX 30
1.8	1	4250006	POST FOR CLEAN-O-FLEX H1000
1.9	1	38731	CLEAN-O-FLEX® U-PROFILE H100



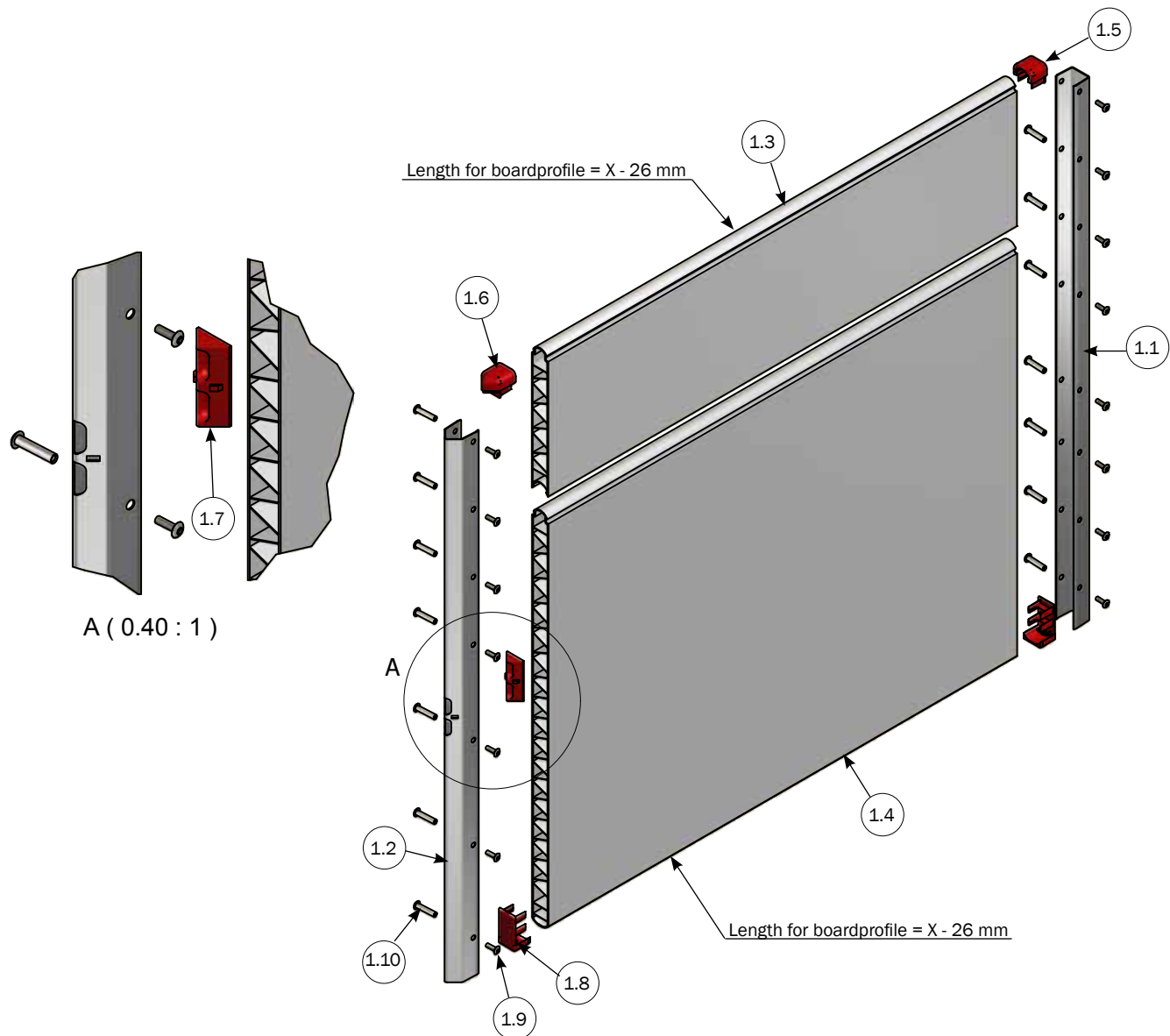
UNASSEMBLED PARTITION FOR CLEAN-O-FLEX 1000 H110 COMBI BOARDPROFILE/2 BARS



PARTS LIST			
NO.	PCS.	ITEM NO.	DESCRIPTION
1	1	4210503U	KIT FOR SIDE H100 COMBI BOARDPROFILE/2 BARS POST/UPROFILE
1.1	LBM	112406	33.7 X 2.60 PIPE GALV. PRICE PER METER, LENGTH 6 METER
1.2	LBM	30099	BOARDPROFILE 35X250 MM SPEC. LENGTH PRICE PER METER
1.3	LBM	30105	BOARDPROFILE 35X750 MM SPEC. LENGTH PRICE PER METER
1.4	1	38731	CLEAN-O-FLEX® U-PROFILE H100
1.5	1	30001	PLUG PANEL TOP
1.6	1	30006	PLUG PANEL TOP 2 TOP PIPES
1.7	21	39106020	CONNECTION SCREW M6X20 STAINLESS TORX 30
1.8	21	39206037	SPLICING SLEEVE M6X37 STAINLESS TORX 30
1.9	2	30013	PLUG PANEL BOTTOM 50 CM/75 CM PANEL
1.10	1	8500402	PLUG PANEL 2 TOPPIPES COMBI
1.11	1	4250006	POST FOR CLEAN-O-FLEX H1000

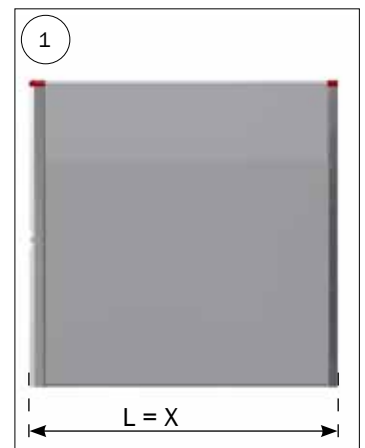


UNASSEMBLED FRONT PART H100 BOARDPROFILE UPROFILE/RECEIVER UPROFILE

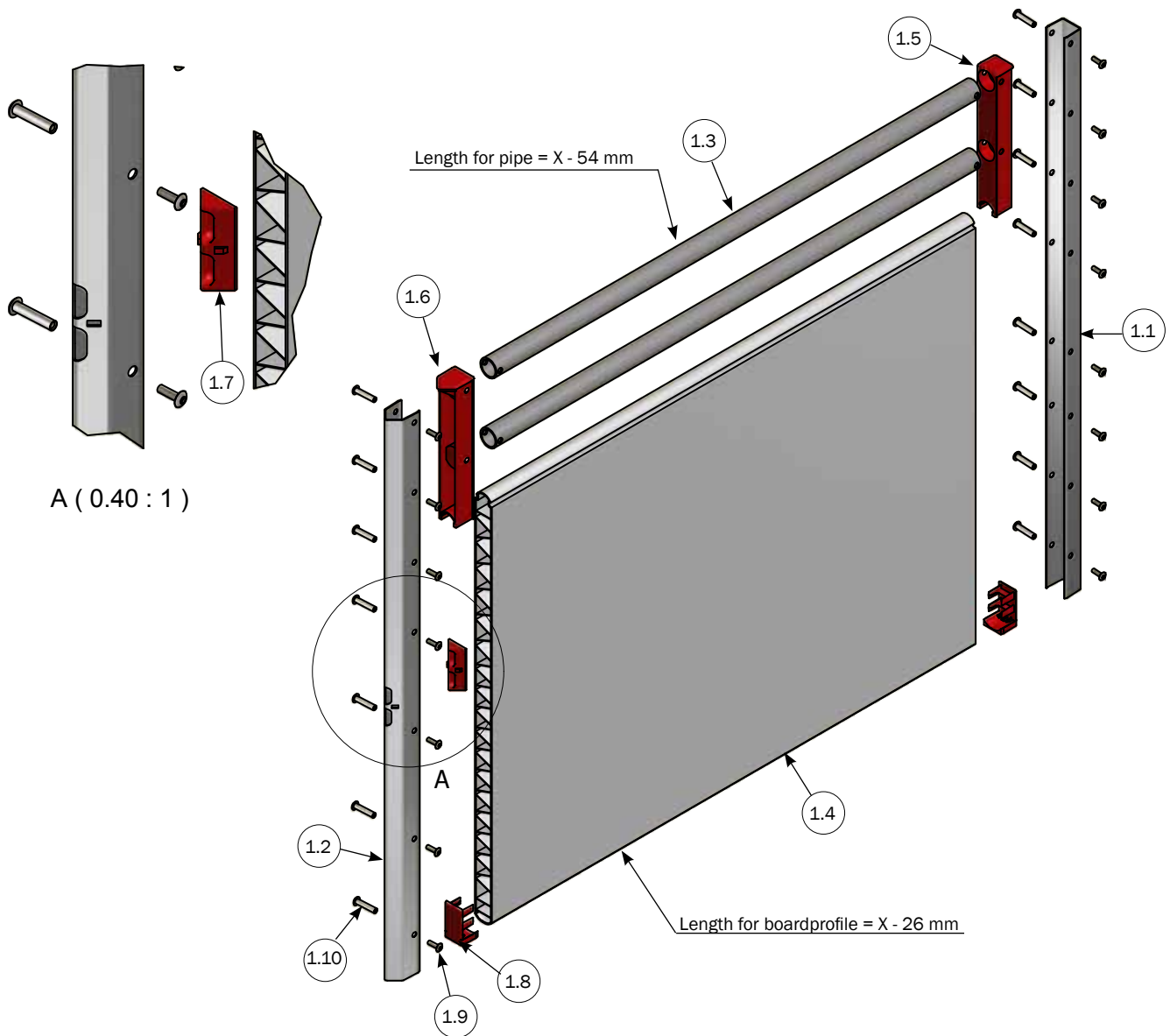


PARTS LIST

NO.	PCS.	ITEM NO.	DESCRIPTION
1	1	37901U	KIT FOR FRONT PART H100 BOARDPROFILE UPROFILE/RECEIVER UPROFILE
1.1	1	38731	CLEAN-O-FLEX® U-PROFILE H100
1.2	1	H4585R	U-POST H100 RECEIVER F GATE WITH OUT FOUNDATION 1,5 MM
1.3	LBM	30099	BOARDPROFILE 35X250 MM SPEC. LENGTH PRICE PER METER
1.4	LBM	30105	BOARDPROFILE 35X750 MM SPEC. LENGTH PRICE PER METER
1.5	1	30001	PLUG PANEL TOP
1.6	1	30002	PLUG PANEL TOP POINTED
1.7	1	30005	PLUG PANEL POINTED W.HOLES/LOCK
1.8	2	30013	PLUG PANEL BOTTOM 50 CM/75 CM PANEL
1.9	15	39106020	CONNECTION SCREW M6X20 STAINLESS TORX 30
1.10	15	39206037	SPLICING SLEEVE M6X37 STAINLESS TORX 30

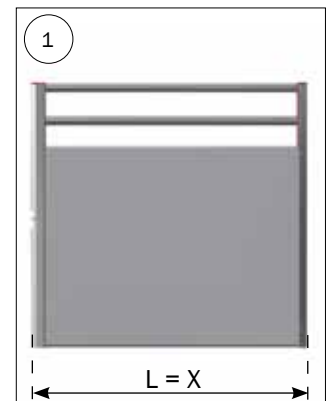


UNASSEMBLED FRONT PART RECEIVER FOR CLEAN-O-FLEX 1000 BOARDPROFILE/2 BARS

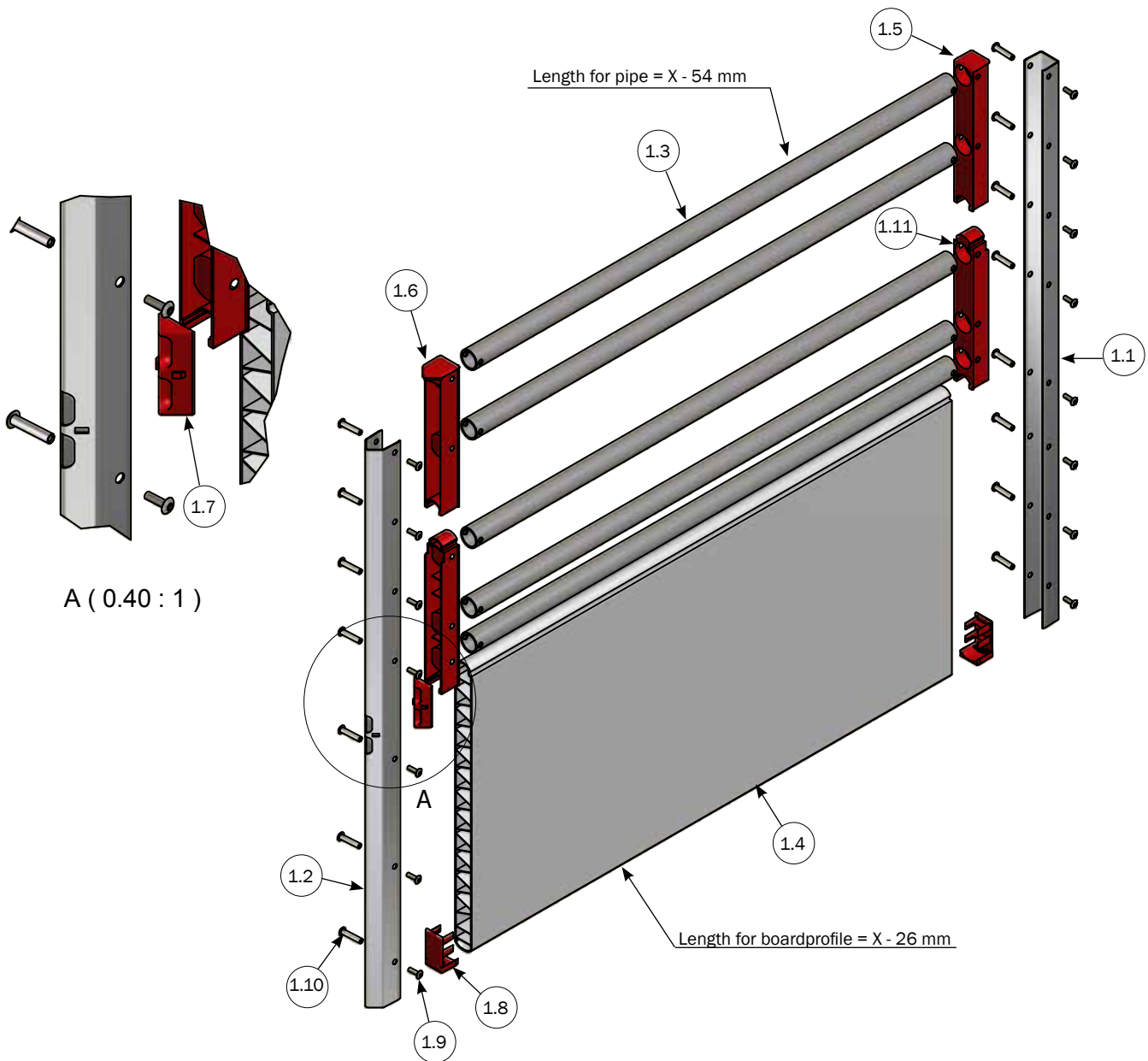


PARTS LIST

NO.	PCS.	ITEM NO.	DESCRIPTION
1	1	36997U	KIT FOR FRONT PART H100 BOARDPROFILE/2 BARS UPROFILE/RECEIVER UPROFILE
1.1	1	38731	CLEAN-O-FLEX® U-PROFILE H100
1.2	1	H4585R	U-POST H100 RECEIVER F GATE WITH OUT FOUNDATION 1,5 MM
1.3	LBM	112406	33.7 X 2.60 PIPE GALV. PRICE PER METER, LENGTH 6 METER
1.4	LBM	30105	BOARDPROFILE 35X750 MM SPEC. LENGTH PRICE PER METER
1.5	1	30006	PLUG PANEL TOP 2 TOP PIPES
1.6	1	30007	PLUG PANEL TOP POINTED 2 TOP PIPES
1.7	1	30005	PLUG PANEL POINTED W.HOLES/LOCK
1.8	2	30013	PLUG PANEL BOTTOM 50 CM/75 CM PANEL
1.9	15	39106020	CONNECTION SCREW M6X20 STAINLESS TORX 30
1.10	15	39206037	SPLICING SLEEVE M6X37 STAINLESS TORX 30

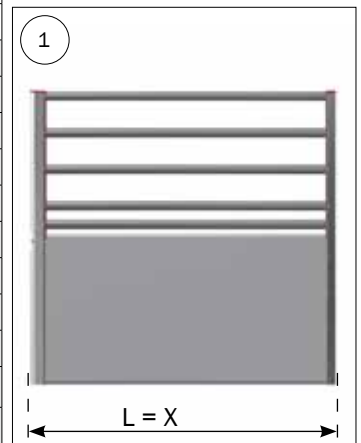


UNASSEMBLED FRONT PART WITH RECEIVER FOR CLEAN-O-FLEX 1000 BOARDPROFILE/5 BARS

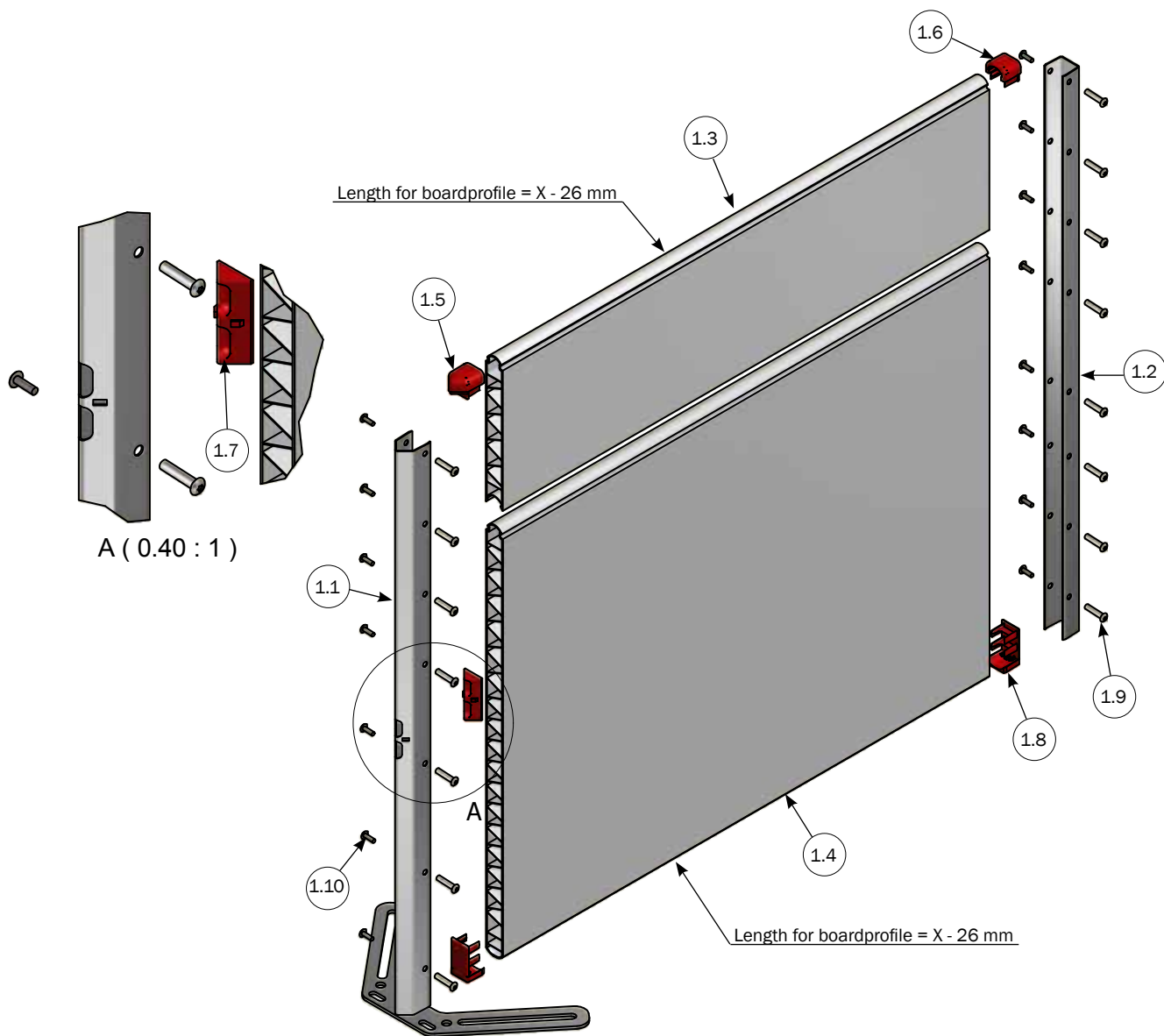


PARTS LIST

NO.	PCS.	ITEM NO.	DESCRIPTION
1	1	36867U	KIT FOR FRONT PART H100 BOARDPROFILE/5 PROFILE/RECEIVER UPROFILE
1.1	1	38731	CLEAN-O-FLEX® U-PROFILE H100
1.2	1	H4585R	U-POST H100 RECEIVER F GATE WITH OUT FOUNDATION 1,5 MM
1.3	LBM	112406	33.7 X 2.60 PIPE GALV. PRICE PER METER, LENGTH 6 METER
1.4	LBM	30105	BOARDPROFILE 35X750 MM SPEC. LENGTH PRICE PER METER
1.5	1	30006	PLUG PANEL TOP 2 TOP PIPES
1.6	1	30007	PLUG PANEL TOP POINTED 2 TOP PIPES
1.7	1	30005	PLUG PANEL POINTED W.HOLES/LOCK
1.8	2	30013	PLUG PANEL BOTTOM 50 CM/75 CM PANEL
1.9	15	39106020	CONNECTION SCREW M6X20 STAINLESS TORX 30
1.10	15	39206037	SPLICING SLEEVE M6X37 STAINLESS TORX 30
1.11	2	30016	PLUG 3 TOP PIPES



UNASSEMBLED WITH RECEIVER POST/U-PROFILE FOR CLEAN-O-FLEX 1000 BOARDPROFILE

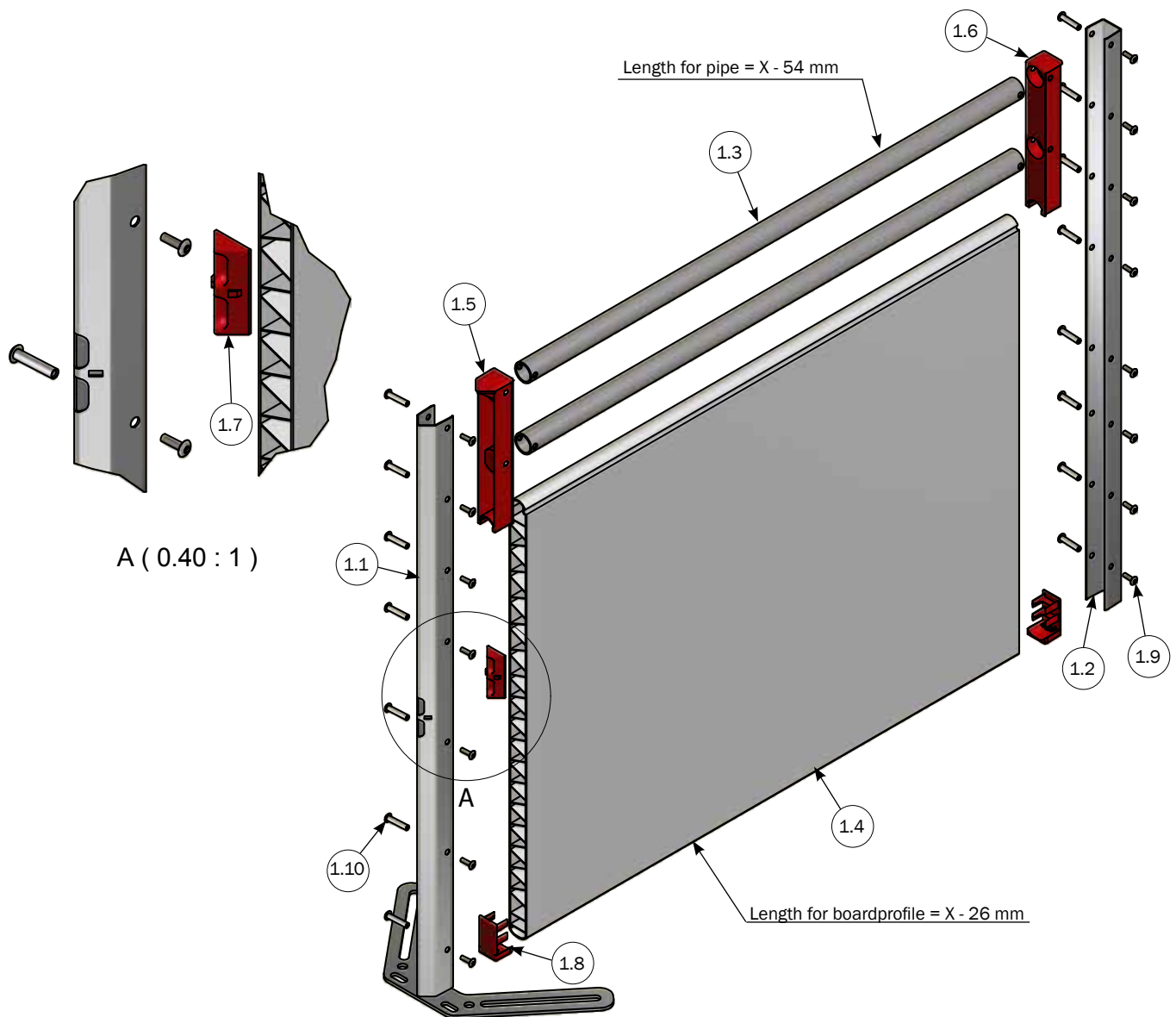


PARTS LIST

NO.	PCS.	ITEM NO.	DESCRIPTION
1	1	4210519U	KIT FOR FRONT PART H100 BOARDPROFILE UPROFILE/RECEIVER POST
1.1	1	4250007	POST H100 WITH RECEIVER
1.2	1	38731	CLEAN-O-FLEX® U-PROFILE H100
1.3	LBM	30099	BOARDPROFILE 35X250 MM SPEC. LENGTH PRICE PER METER
1.4	LBM	30105	BOARDPROFILE 35X750 MM SPEC. LENGTH PRICE PER METER
1.5	1	30002	PLUG PANEL TOP POINTED
1.6	1	30001	PLUG PANEL TOP
1.7	1	30005	PLUG PANEL POINTED W.HOLES/LOCK
1.8	2	30013	PLUG PANEL BOTTOM 50 CM/75 CM PANEL
1.9	15	39106020	CONNECTION SCREW M6X20 STAINLESS TORX 30
1.10	15	39206037	SPLICING SLEEVE M6X37 STAINLESS TORX 30



UNASSEMBLED FRONT PART WITH RECEIVER FOR CLEAN-O-FLEX 1000 BOARDPROFILE/2 BARS

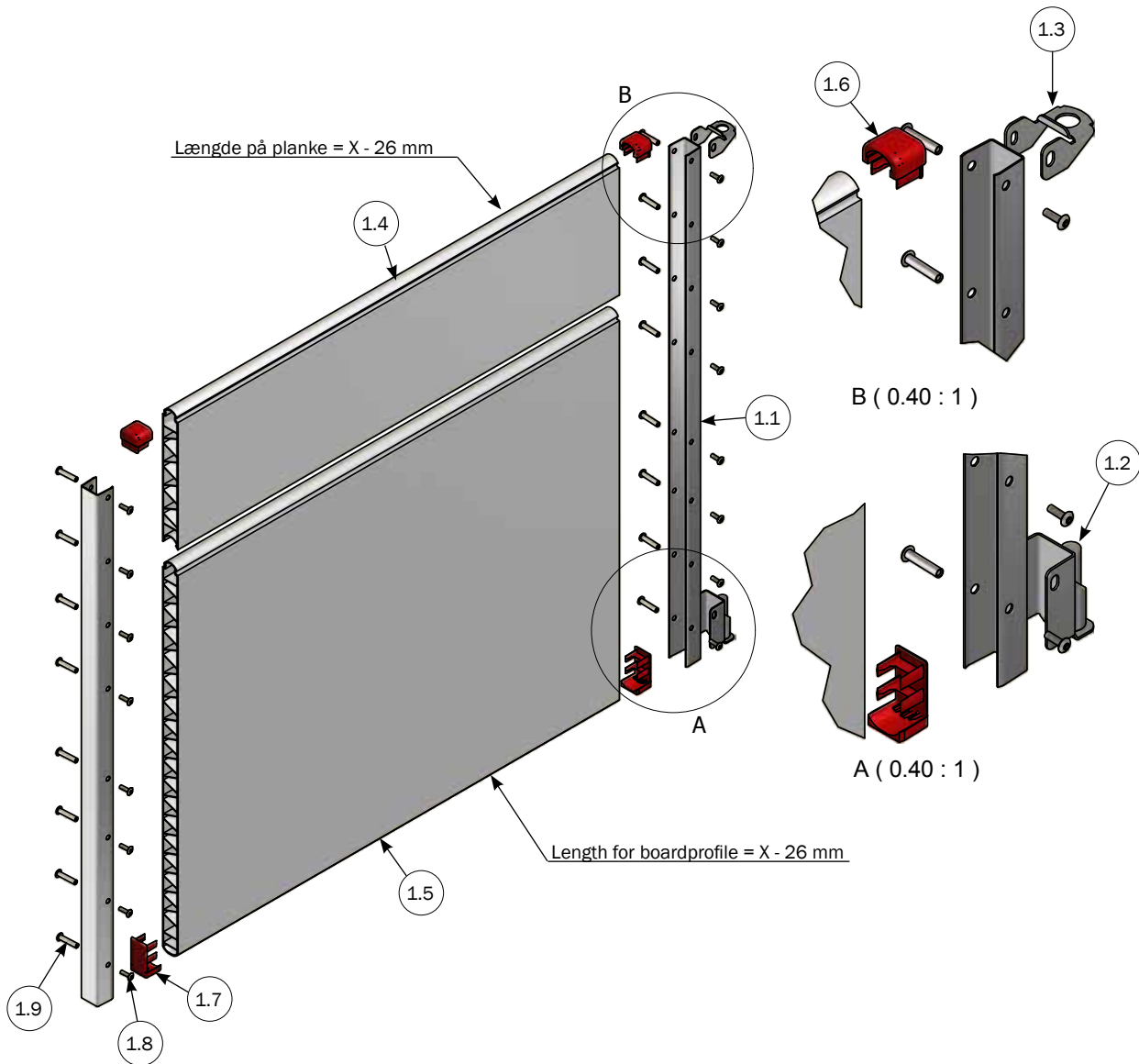


PARTS LIST

NO.	PCS.	ITEM NO.	DESCRIPTION
1	1	4210515U	KIT FOR FRONT PART H100 BOARDPROFILE/2 BARS UPROFILE/RECEIVER POST
1.1	1	4250007	POST H100 WITH RECEIVER
1.2	1	38731	CLEAN-O-FLEX® U-PROFILE H100
1.3	LBM	112406	33.7 X 2.60 PIPE GALV. PRICE PER METER, LENGTH 6 METER
1.4	LBM	30105	BOARDPROFILE 35X750 MM SPEC. LENGTH PRICE PER METER
1.5	1	30002	PLUG PANEL TOP POINTED
1.6	1	30006	PLUG PANEL TOP 2 TOP PIPES
1.7	1	30005	PLUG PANEL POINTED W.HOLES/LOCK
1.8	2	30013	PLUG PANEL BOTTOM 50 CM/75 CM PANEL
1.9	15	39106020	CONNECTION SCREW M6X20 STAINLESS TORX 30
1.10	15	39206037	SPLICING SLEEVE M6X37 STAINLESS TORX 30

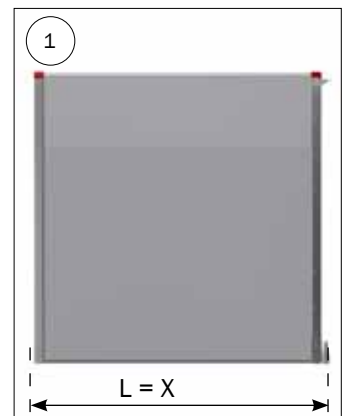


UNASSEMBLED FRONT PART WITH HINGE FOR CLEAN-O-FLEX 1000 BOARDPROFILE

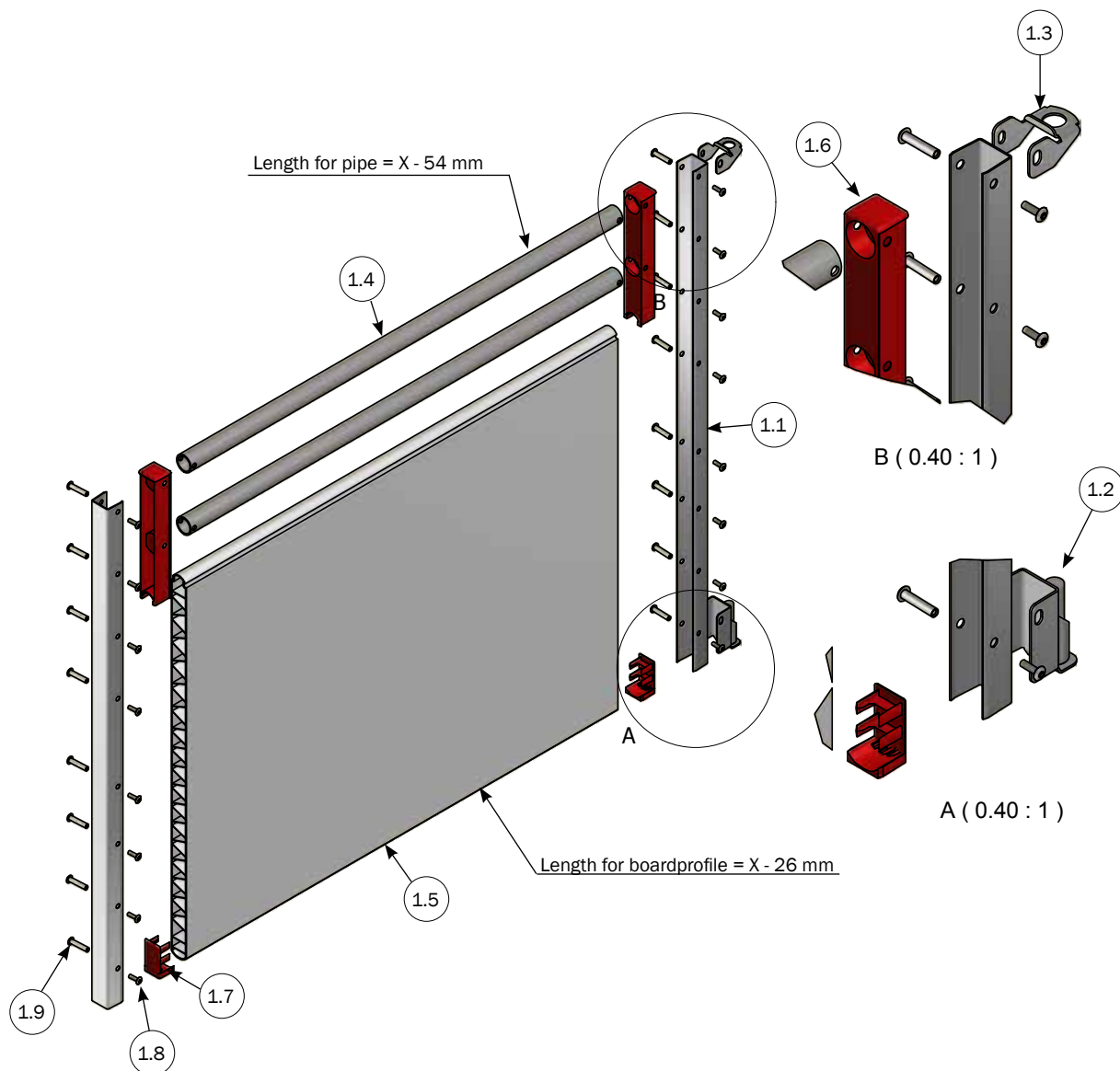


PARTS LIST

NO.	PCS.	ITEM NO.	DESCRIPTION
1	1	37801U	KIT FOR FRONT PART H100 BOARDPROFILE HINGE UPROFILE/UPROFILE
1.1	2	38731	CLEAN-O-FLEX® U-PROFILE H100
1.2	1	17364	BOTTOM GATE BRACKET COF FOR U-POST
1.3	1	4950516	UPPER HINGE CLEAN-O-FLEX
1.4	LBM	30099	BOARDPROFILE 35X250 MM SPEC. LENGTH PRICE PER METER
1.5	LBM	30105	BOARDPROFILE 35X750 MM SPEC. LENGTH PRICE PER METER
1.6	2	30001	PLUG PANEL TOP
1.7	2	30013	PLUG PANEL BOTTOM 50 CM/75 CM PANEL
1.8	16	39106020	CONNECTION SCREW M6X20 STAINLESS TORX 30
1.9	16	39206037	SPLICING SLEEVE M6X37 STAINLESS TORX 30

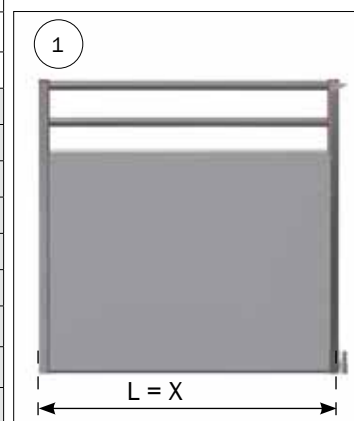


UNASSEMBLED FRONT PART WITH HINGE FOR CLEAN-O-FLEX 1000 BOARDPROFILE/2 BARS

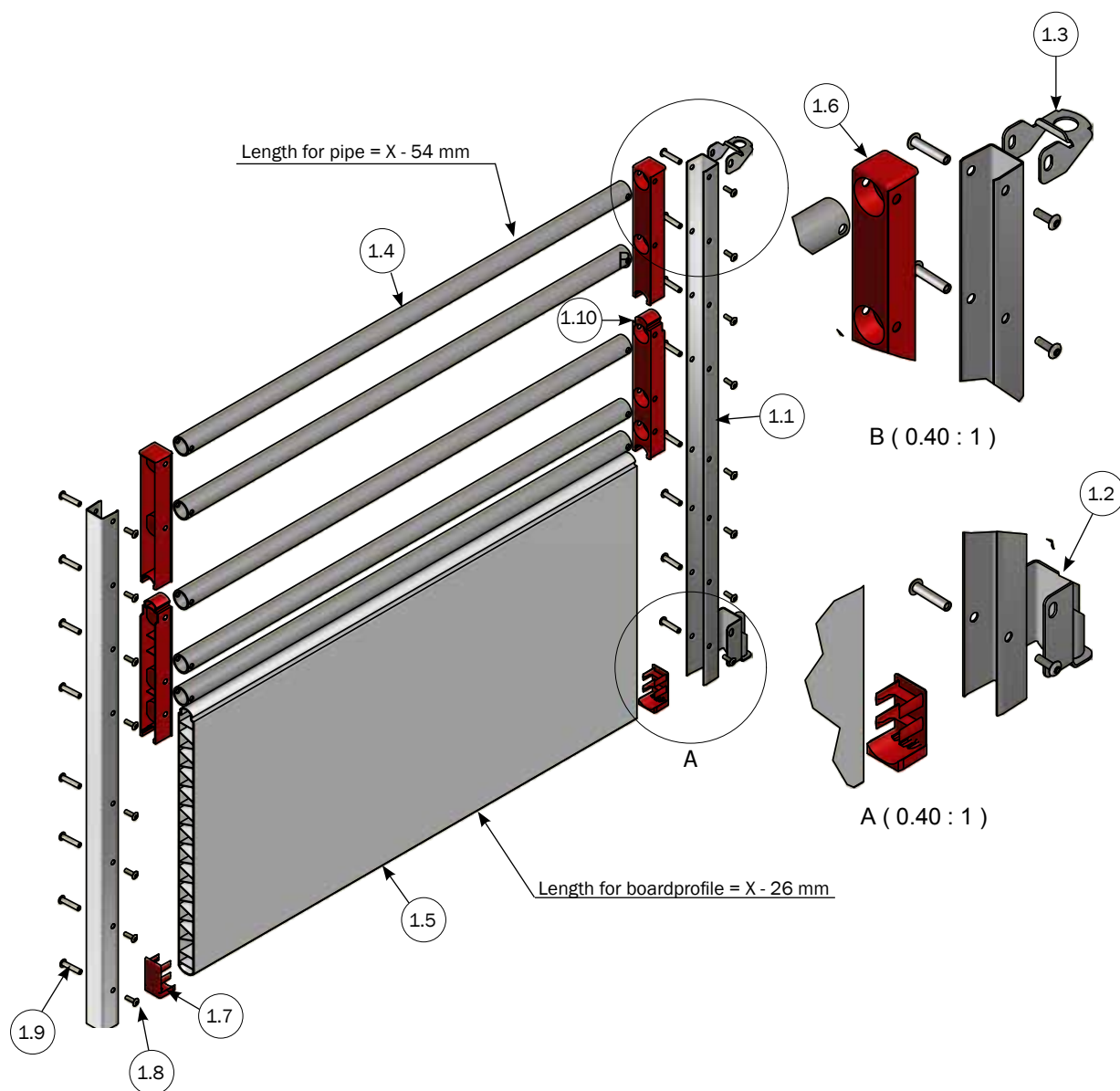


PARTS LIST

NO.	PCS.	ITEM NO.	DESCRIPTION
1	1	36897U	KIT FORFRONT PART H100 BOARDPROFILE/2 BARS HINGE UPROFILE/UPROFILE
1.1	2	38731	CLEAN-O-FLEX® U-PROFILE H100
1.2	1	17364	BOTTOM GATE BRACKET COF FOR U-POST
1.3	1	4950516	UPPER HINGE CLEAN-O-FLEX
1.4	LBM	112406	33.7 X 2.60 PIPE GALV. PRICE PER METER, LENGTH 6 METER
1.5	LBM	30105	BOARDPROFILE 35X750 MM SPEC. LENGTH PRICE PER METER
1.6	2	30006	PLUG PANEL TOP 2 TOP PIPES
1.7	2	30013	PLUG PANEL BOTTOM 50 CM/75 CM PANEL
1.8	16	39106020	CONNECTION SCREW M6X20 STAINLESS TORX 30
1.9	16	39206037	SPLICING SLEEVE M6X37 STAINLESS TORX 30



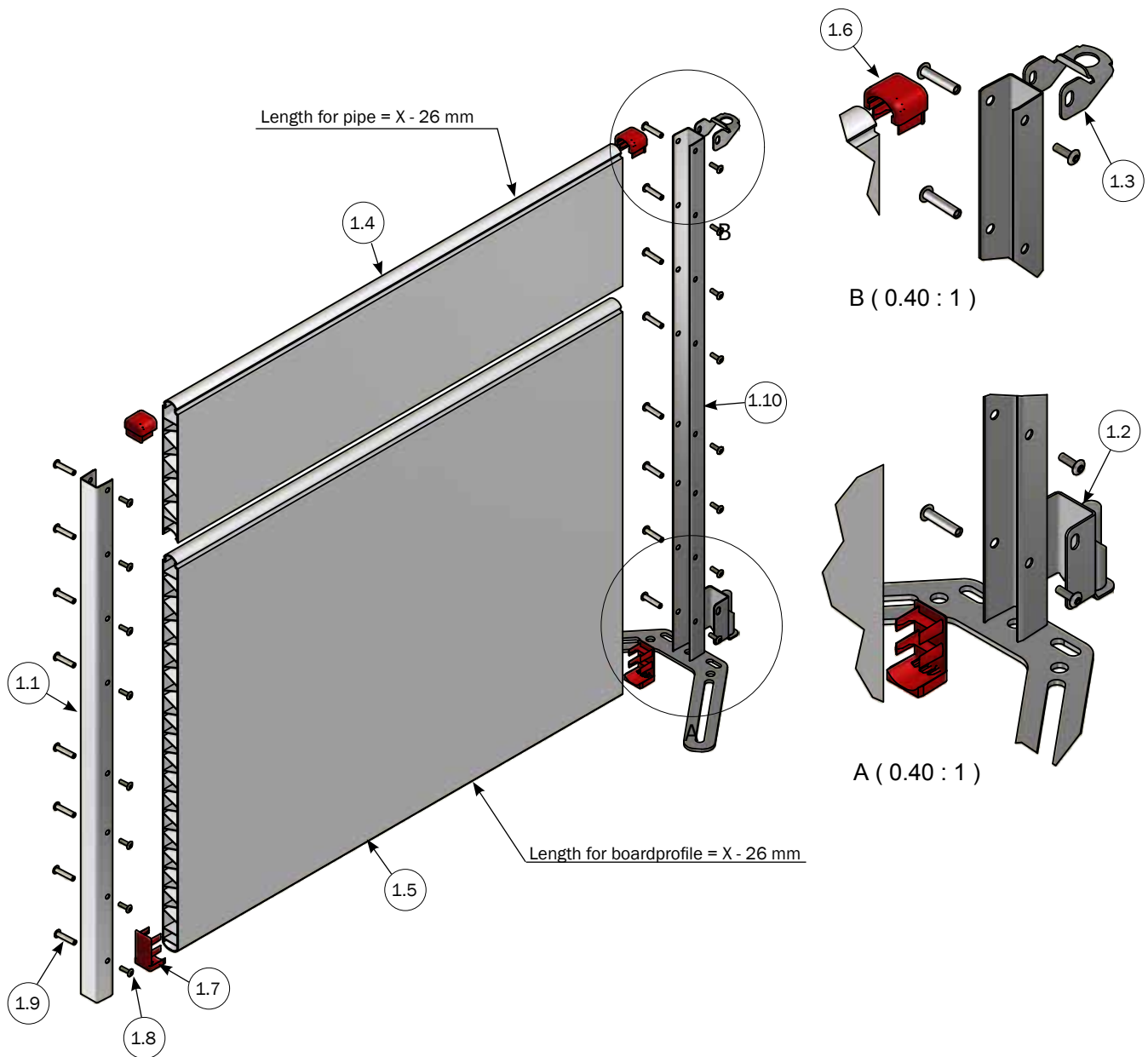
UNASSEMBLED FRONT PART WITH HINGE FOR CLEAN-O-FLEX 1000 BOARDPROFILE/5 BARS



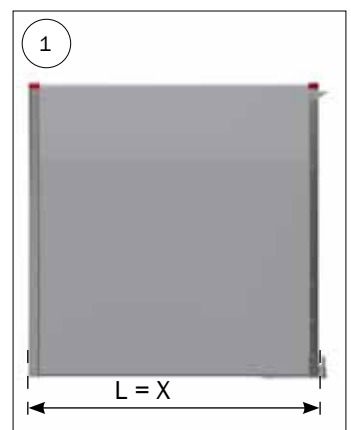
PARTS LIST			
NO.	PCS.	ITEM NO.	DESCRIPTION
1	1	36864U	KIT FOR FRONT PART H100 BOARDPROFILE/5 BARS HINGE UPROFILE/UPROFILE
1.1	2	38731	CLEAN-O-FLEX® U-PROFILE H100
1.2	1	17364	BOTTOM GATE BRACKET COF FOR U-POST
1.3	1	4950516	UPPER HINGE CLEAN-O-FLEX
1.4	LBM	112406	33.7 X 2.65 PIPE GALV. PRICE PER METER, LENGTH 6 METER
1.5	LBM	30105	BOARDPROFILE 35X750 MM SPEC. LENGTH PRICE PER METER
1.6	2	30006	PLUG PANEL TOP 2 TOP PIPES
1.7	2	30013	PLUG PANEL BOTTOM 50 CM/75 CM PANEL
1.8	16	39106020	CONNECTION SCREW M6X20 STAINLESS TORX 30
1.9	16	39206037	SPLICING SLEEVE M6X37 STAINLESS TORX 30
1.10	2	30016	PLUG 3 TOP PIPES



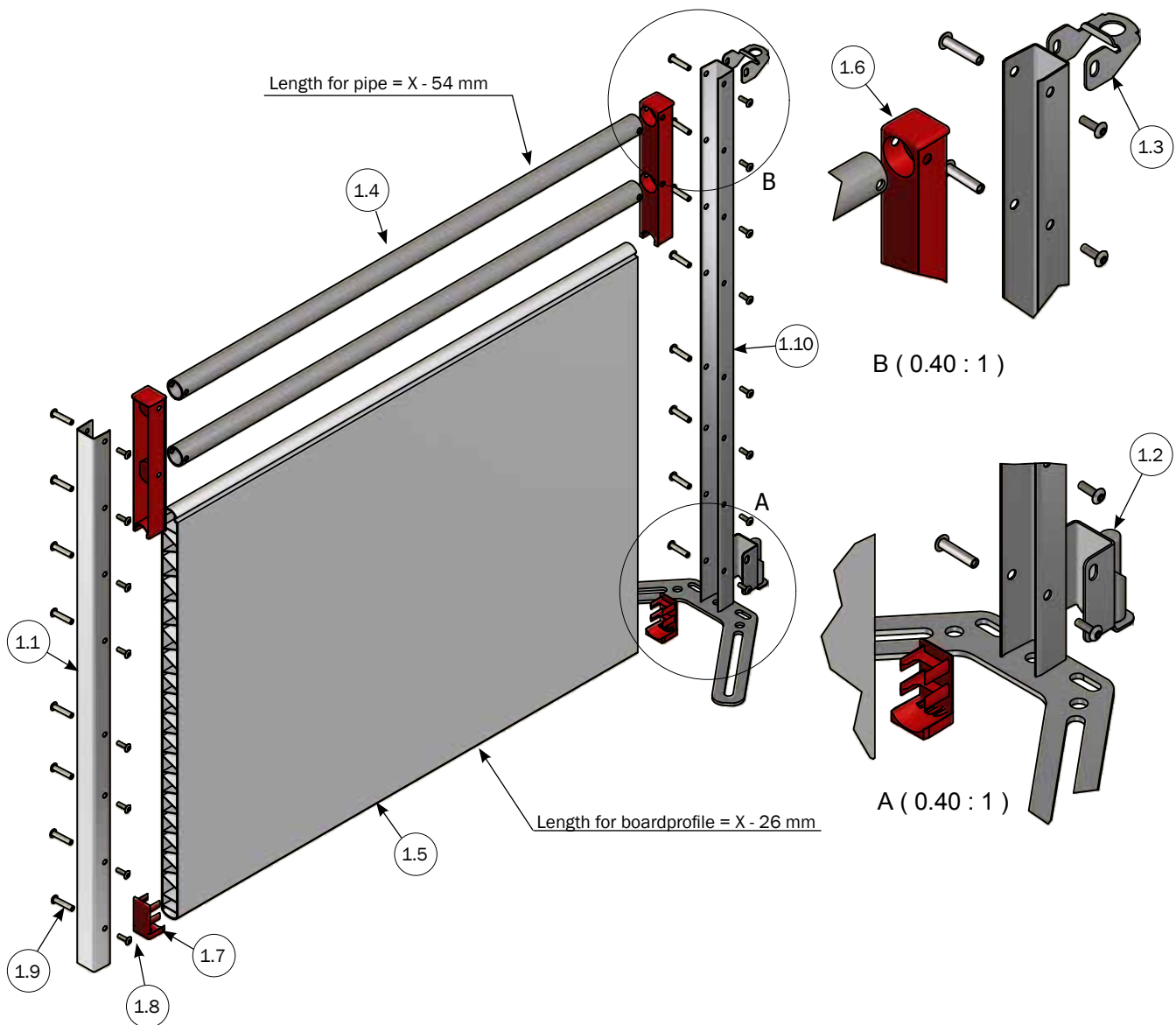
UNASSEMBLED FRONT PART WITH HINGE FOR CLEAN-O-FLEX 1000 BOARDPROFILE



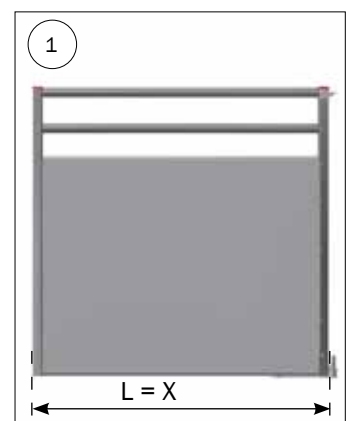
PARTS LIST			
NO.	PCS.	ITEM NO.	DESCRIPTION
1	1	4210518U	KIT FOR FRONT PART H100 BOARDPROFILE HINGE POST/UPROFILE
1.1	2	38731	CLEAN-O-FLEX® U-PROFILE H100
1.2	1	17364	BOTTOM GATE BRACKET COF FOR U-POST
1.3	1	4950516	UPPER HINGE CLEAN-O-FLEX
1.4	LBM	30099	BOARDPROFILE 35X250 MM SPEC. LENGTH PRICE PER METER
1.5	LBM	30105	BOARDPROFILE 35X750 MM SPEC. LENGTH PRICE PER METER
1.6	2	30001	PLUG PANEL TOP
1.7	2	30013	PLUG PANEL BOTTOM 50 CM/75 CM PANEL
1.8	16	39106020	CONNECTION SCREW M6X20 STAINLESS TORX 30
1.9	16	39206037	SPLICING SLEEVE M6X37 STAINLESS TORX 30
1.10	1	4250006	POST FOR CLEAN-O-FLEX H1000



UNASSEMBLED FRONT PART WITH HINGE FOR CLEAN-O-FLEX 1000 BOARDPROFILE/2 BARS

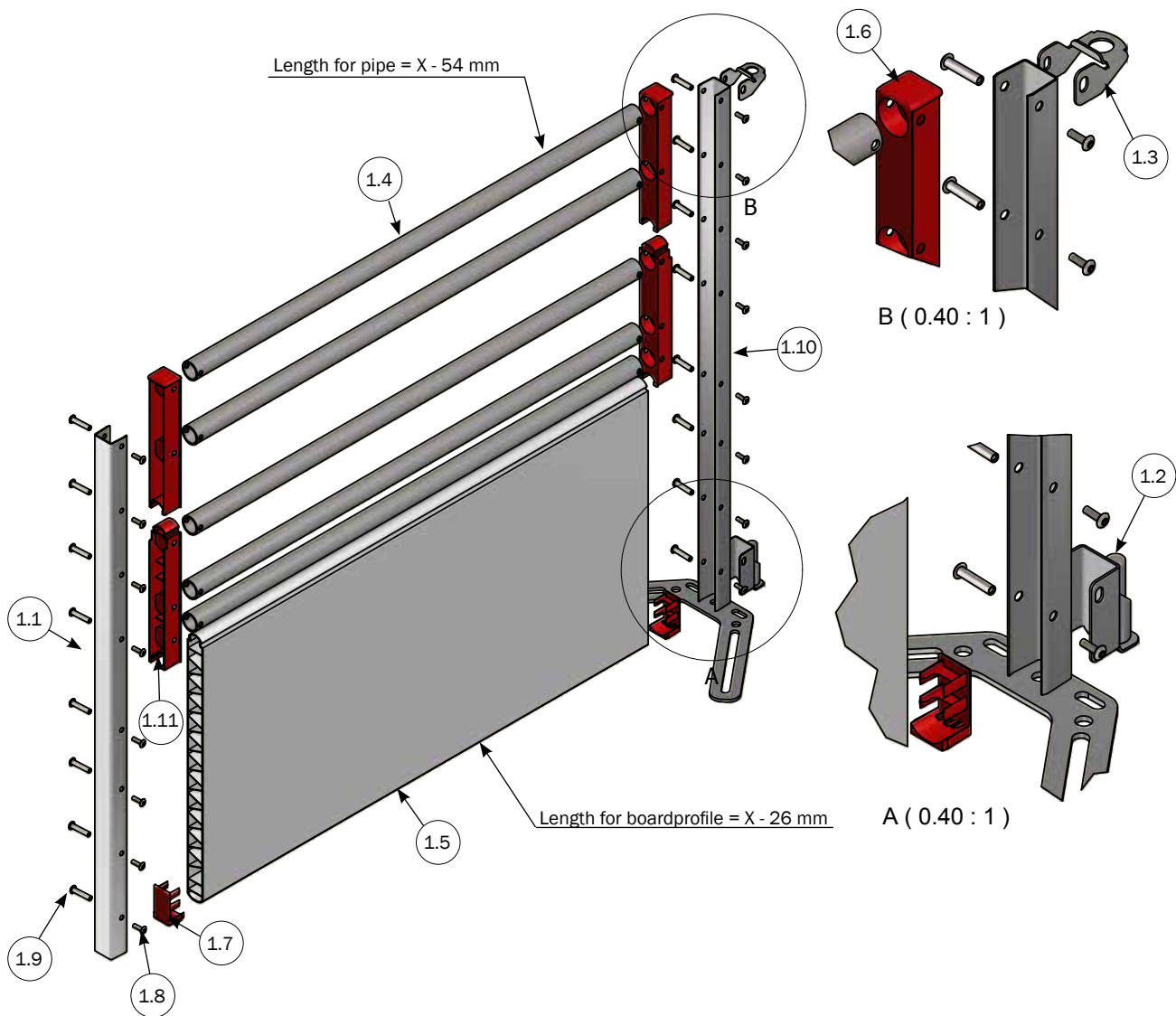


PARTS LIST			
NO.	PCS.	ITEM NO.	DESCRIPTION
1	1	4210513U	KIT FOR FRONT PART H100 BOARDPROFILE/2 HINGE POST/UPROFILE
1.1	2	38731	CLEAN-O-FLEX® U-PROFILE H100
1.2	1	17364	BOTTOM GATE BRACKET COF FOR U-POST
1.3	1	4950516	UPPER HINGE CLEAN-O-FLEX
1.4	LBM	112406	33.7 X 2.65 PIPE GALV. PRICE PER METER, LENGTH 6 METER
1.5	LBM	30105	BOARDPROFILE 35X750 MM SPEC. LENGTH PRICE PER METER
1.6	2	30001	PLUG PANEL TOP
1.7	2	30013	PLUG PANEL BOTTOM 50 CM/75 CM PANEL
1.8	16	39106020	CONNECTION SCREW M6X20 STAINLESS TORX 30
1.9	16	39206037	SPLICING SLEEVE M6X37 STAINLESS TORX 30
1.10	1	4250006	POST FOR CLEAN-O-FLEX H1000

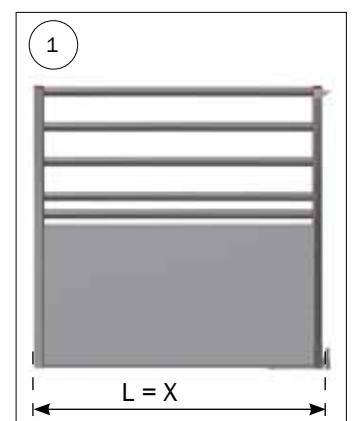


M-6199_GB

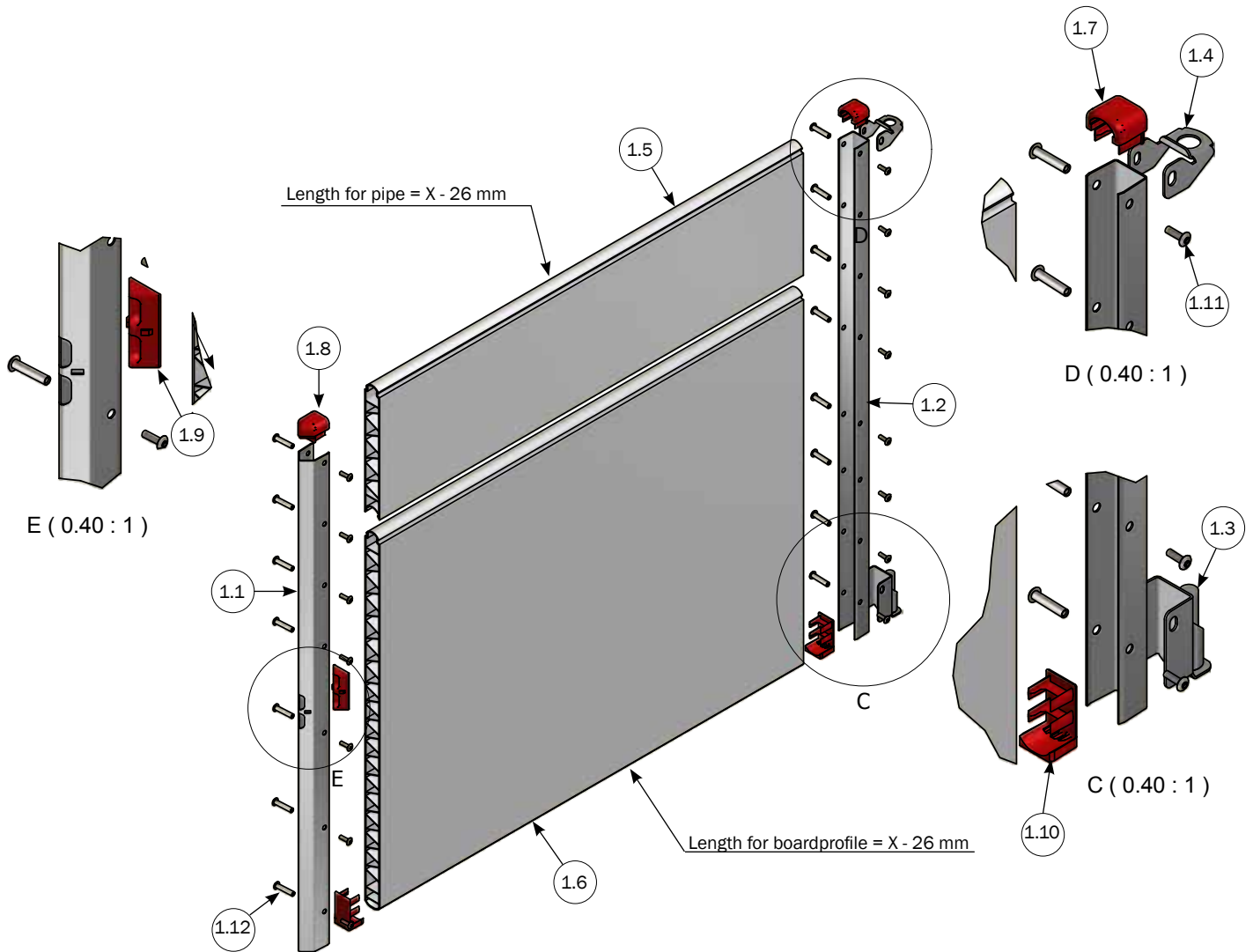
UNASSEMBLED FRONT PART WITH HINGE FOR CLEAN-O-FLEX 1000 BOARDPROFILE/5 BARS



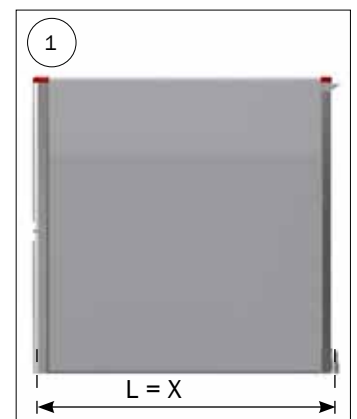
PARTS LIST			
NO.	PCS.	ITEM NO.	DESCRIPTION
1	1	4210508U	KIT FOR FRONT PART H100 BOARDPROFILE/5 HINGE POST/UPROFILE
1.1	2	38731	CLEAN-O-FLEX® U-PROFILE H100
1.2	1	17364	BOTTOM GATEBRACKET COF FOR U-POST
1.3	1	4950516	UPPER HINGE CLEAN-O-FLEX
1.4	LBM	112406	33.7 X 2.65 PIPE GALV. PRICE PER METER, LENGTH 6 METER
1.5	LBM	30105	BOARDPROFILE 35X750 MM SPEC. LENGTH PRICE PER METER
1.6	2	30001	PLUG PANEL TOP
1.7	2	30013	PLUG PANEL BOTTOM 50 CM/75 CM PANEL
1.8	16	39106020	CONNECTION SCREW M6X20 STAINLESS TORX 30
1.9	16	39206037	SPLICING SLEEVE M6X37 STAINLESS TORX 30
1.10	1	4250006	POST FOR CLEAN-O-FLEX H1000
1.11	2	30016	PLUG 3 TOP PIPES



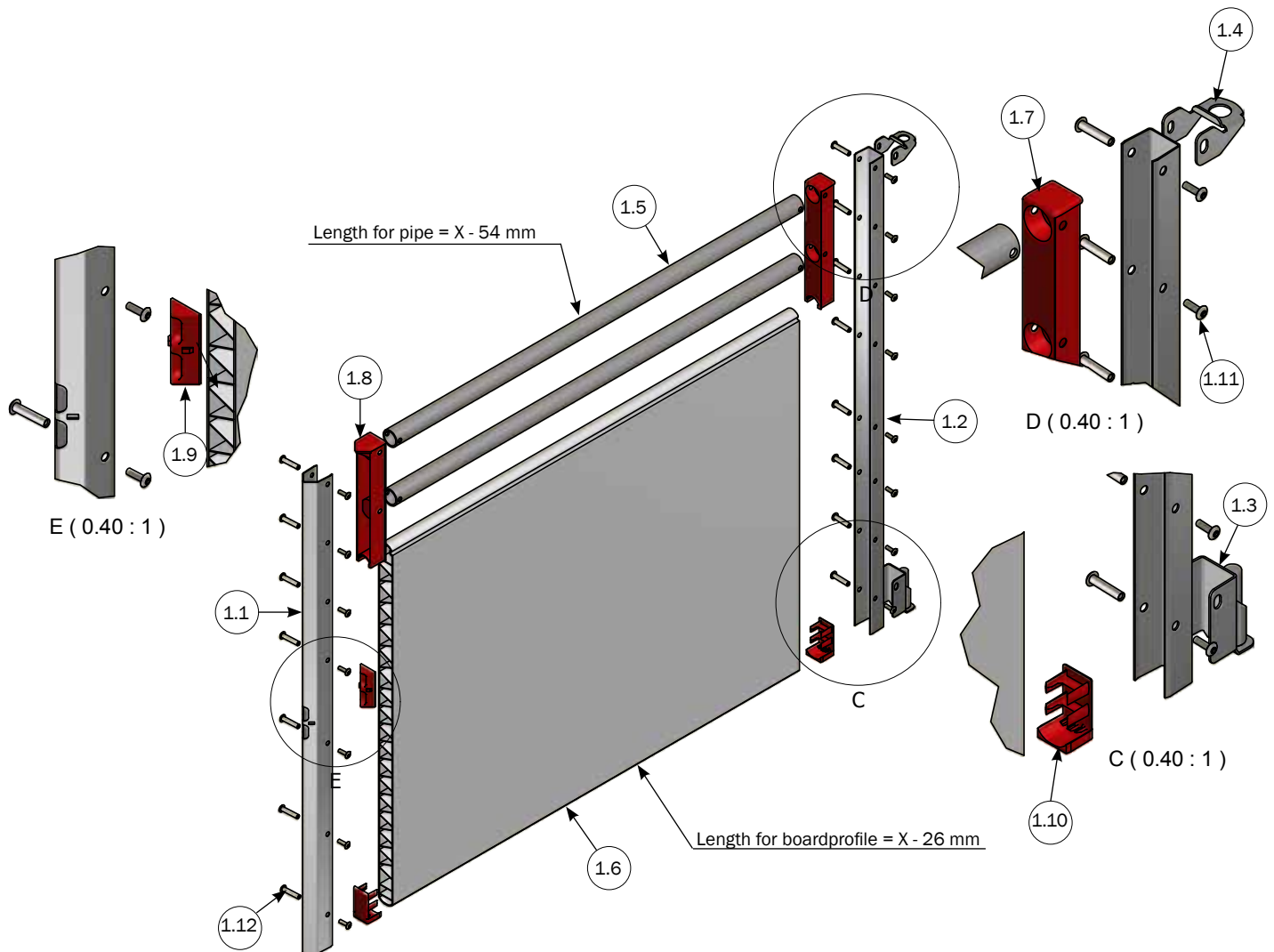
UNASSEMBLED FRONT PART WITH RECEIVER/HINGE FOR CLEAN-O-FLEX 1000 BOARDPROFILE



PARTS LIST			
NO.	PCS.	ITEM NO.	DESCRIPTION
1	1	37701U	KIT FOR FRONT PART H100 BOARDPROFILE HINGE PROFILE/RECEIVER UPROFILE
1.1	1	H4585R	U-POST H100 RECEIVER F GATE WITH OUT FOUNDATION 1,5 MM
1.2	1	38731	CLEAN-O-FLEX® U-PROFIL H100
1.3	1	17364	BOTTOM GATE BRACKET COF FOR U-POST
1.4	1	4950516	UPPER HINGE CLEAN-O-FLEX
1.5	LBM	30099	BOARDPROFILE 35X250 MM SPEC. LENGTH PRICE PER METER
1.6	LBM	30105	BOARDPROFILE 35X750 MM SPEC. LENGTH PRICE PER METER
1.7	1	30001	PLUG PANEL TOP
1.8	1	30002	PLUG PANEL TOP POINTED
1.9	1	30005	PLUG PANEL POINTED W.HOLES/LOCK
1.10	2	30013	PLUG PANEL BOTTOM 50 CM/75 CM PANEL
1.11	15	39106020	CONNECTION SCREW M6X20 STAINLESS TORX 30
1.12	15	39206037	SPLICING SLEEVE M6X37 STAINLESS TORX 30

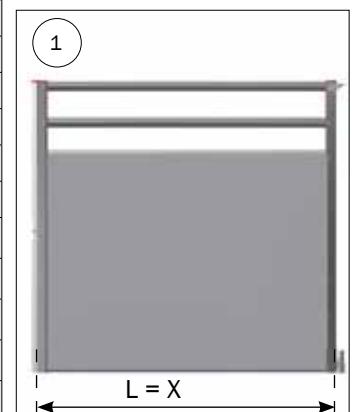


UNASSEMBLED FRONT PART WITH RECEIVER/HINGE FOR CLEAN-O-FLEX 1000 BOARDPROFILE/2 BARS

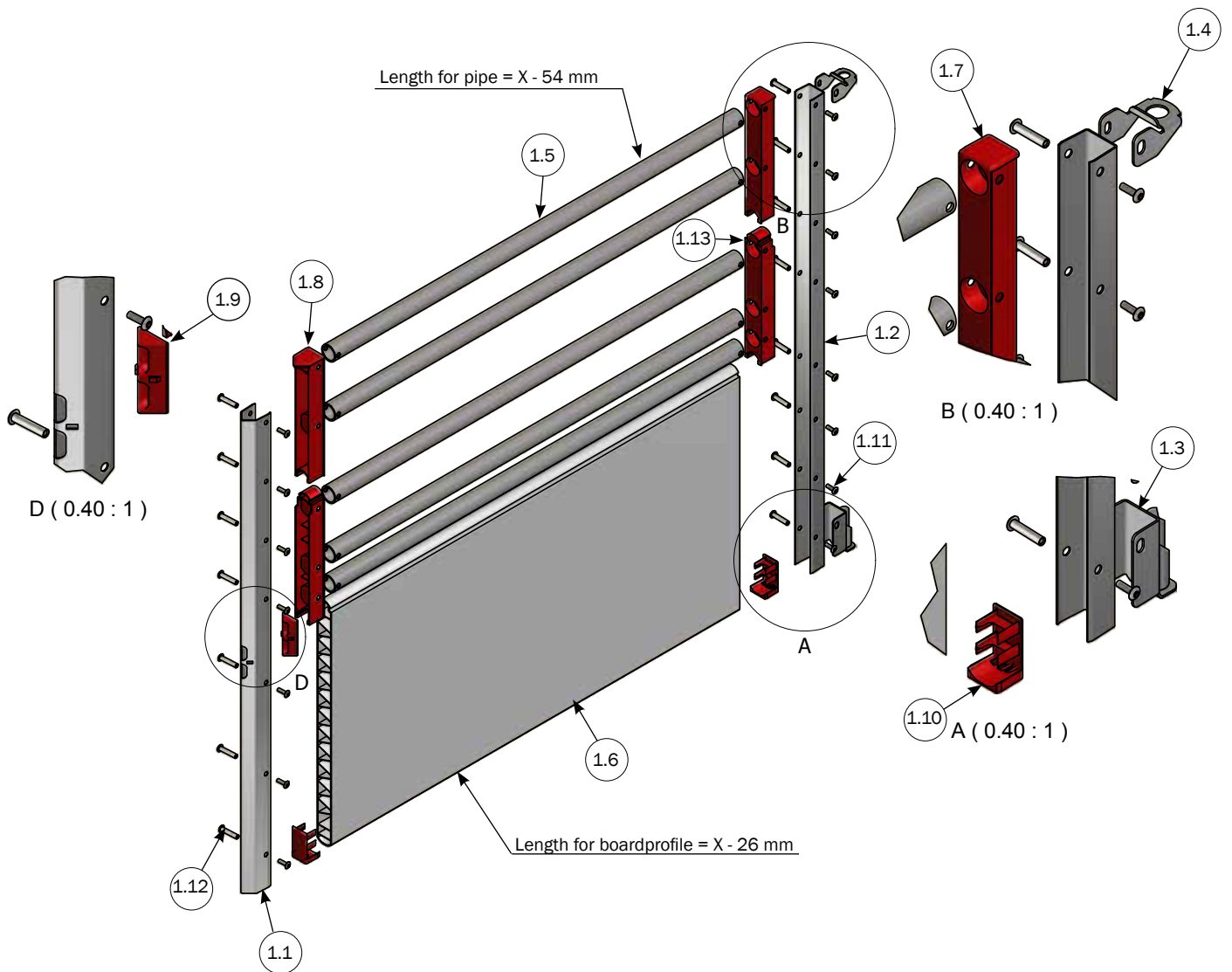


PARTS LIST

NO.	PCS.	ITEM NO.	DESCRIPTION
1	1	36798U	KIT FOR FRONT PART H100 BOARDPROFILE/2BARS HINGE UPROFILE/RECEIVER UPROFILE
1.1	1	H4585R	U-POST H100 RECEIVER F GATE WITH OUT FOUNDATION 1,5 MM
1.2	1	38731	CLEAN-O-FLEX® U-PROFILE H100
1.3	1	17364	BOTTOM GATE BRACKET COF FOR U-POST
1.4	1	4950516	UPPER HINGE CLEAN-O-FLEX
1.5	LBM	112406	BOARDPROFILE 35X250 MM SPEC. LENGTH PRICE PER METER
1.6	LBM	30105	BOARDPROFILE 35X750 MM SPEC. LENGTH PRICE PER METER
1.7	1	30006	PLUG PANEL TOP 2 TOP PIPES
1.8	1	30002	PLUG PANEL TOP POINTED
1.9	1	30005	PLUG PANEL POINTED W.HOLES/LOCK
1.10	2	30013	PLUG PANEL BOTTOM 50 CM/75 CM PANEL
1.11	15	39106020	CONNECTION SCREW M6X20 STAINLESS TORX 30
1.12	15	39206037	SPLICING SLEEVE M6X37 STAINLESS TORX 30

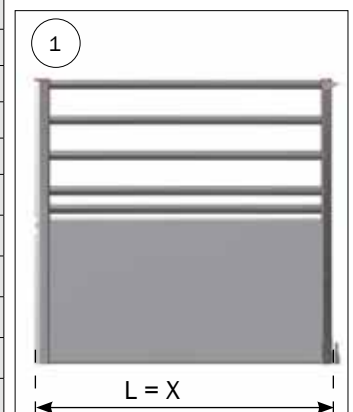


UNASSEMBLED FRONT PART WITH RECEIVER/HINGE FOR CLEAN-O-FLEX 1000 BOARDPROFILE/5 BARS

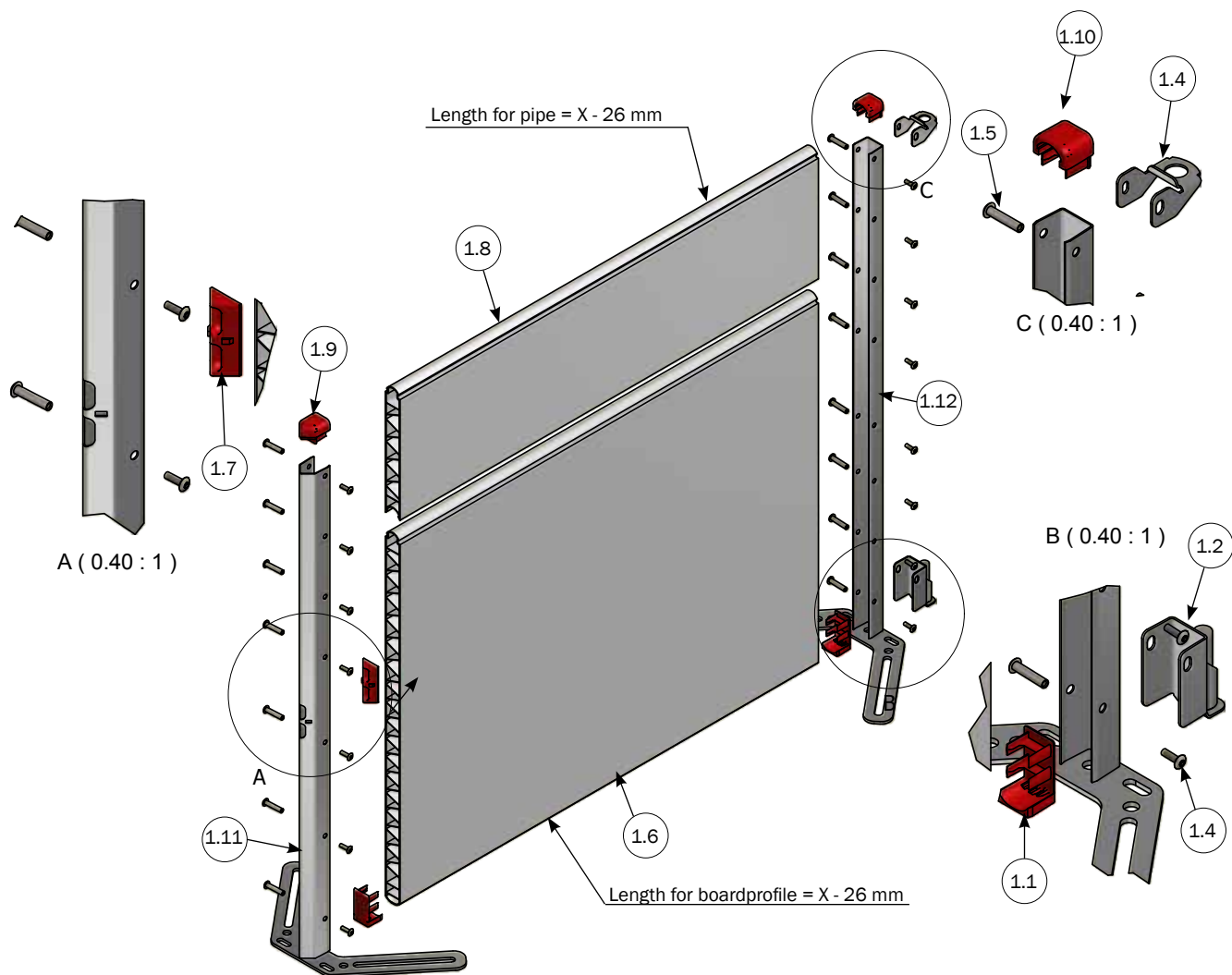


PARTS LIST

NO.	PCS.	ITEM NO.	DESCRIPTION
1	1	36856U	KIT FOR FRONT PART H100 BOARDPROFILE/5BARS HINGE UPROFILE/RECEIVER UPROFILE
1.1	1	H4585R	U-POST H100 RECEIVER F GATE WITH OUT FOUNDATION 1,5 MM
1.2	1	38731	CLEAN-O-FLEX® U-PROFILE H100
1.3	1	17364	BOTTOM GATE BRACKET COF FOR U-POST
1.4	1	4950516	UPPER HINGE CLEAN-O-FLEX
1.5	LBM	112406	33.7 X 2.60 PIPE GALV. PRICE PER METER, LENGTH 6 METER
1.6	LBM	30105	BOARDPROFILE 35X750 MM SPEC. LENGTH PRICE PER METER
1.7	1	30006	PLUG PANEL TOP 2 TOP PIPES
1.8	1	30002	PLUG PANEL TOP POINTED
1.9	1	30005	PLUG PANEL POINTED W.HOLES/LOCK
1.10	2	30013	PLUG PANEL BOTTOM 50 CM/75 CM PANEL
1.11	15	39106020	CONNECTION SCREW M6X20 STAINLESS TORX 30
1.12	15	39206037	SPLICING SLEEVE M6X37 STAINLESS TORX 30
1.13	2	30016	PLUG 3 TOP PIPES



UNASSEMBLED FRONT PART WITH RECEIVER/HINGE POST FOR CLEAN-O-FLEX 1000 BOARDPROFILE

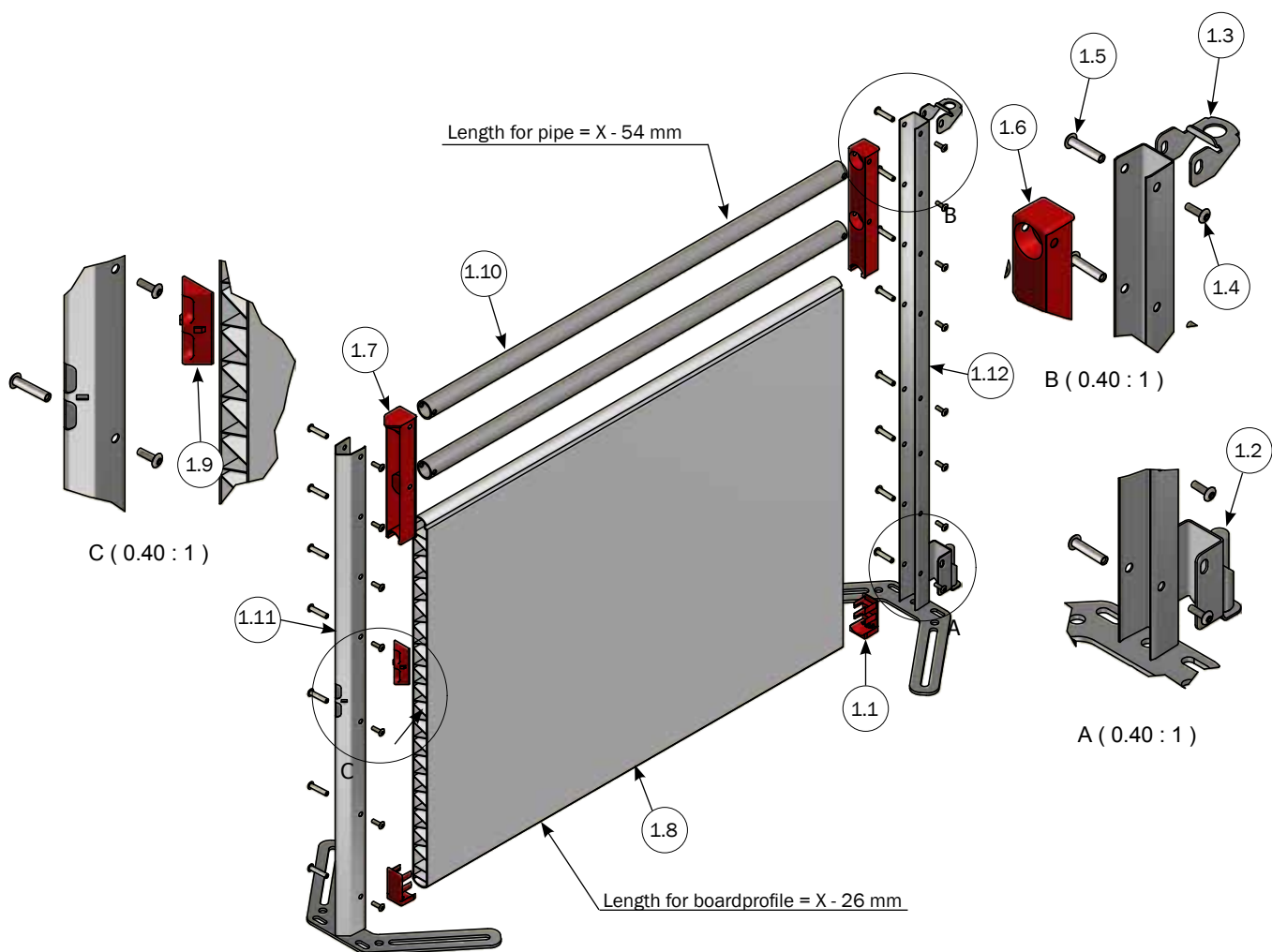


PARTS LIST

NO.	PCS.	ITEM NO.	DESCRIPTION
1	1	4210517U	KIT FOR FRONT PART H100 BOARDPROFILE HINGE POST/RECEIVER POST
1.1	2	30013	PLUG PANEL BOTTOM 50 CM/75 CM PANEL
1.2	1	17364	BOTTOM GATE BRACKET COF FOR U-POST
1.3	1	4950516	UPPER HINGE CLEAN-O-FLEX
1.4	15	39106020	CONNECTION SCREW M6X20 STAINLESS TORX 30
1.5	15	39206037	SPLICING SLEEVE M6X37 STAINLESS TORX 30
1.6	LBM	30105	BOARDPROFILE 35X750 MM SPEC. LENGTH PRICE PER METER
1.7	1	30005	PLUG PANEL POINTED W.HOLES/LOCK
1.8	LBM	30099	BOARDPROFILE 35X250 MM SPEC. LENGTH PRICE PER METER
1.9	1	30002	PLUG PANEL TOP POINTED
1.10	1	30001	PLUG PANEL TOP
1.11	1	4250007	POST H100 WITH RECEIVER
1.12	1	4250006	POST FOR CLEAN-O-FLEX H1000



UNASSEMBLED FRONT PART WITH RECEIVER/HINGE POST FOR CLEAN-O-FLEX 1000 BOARDPROFILE/2 BARS

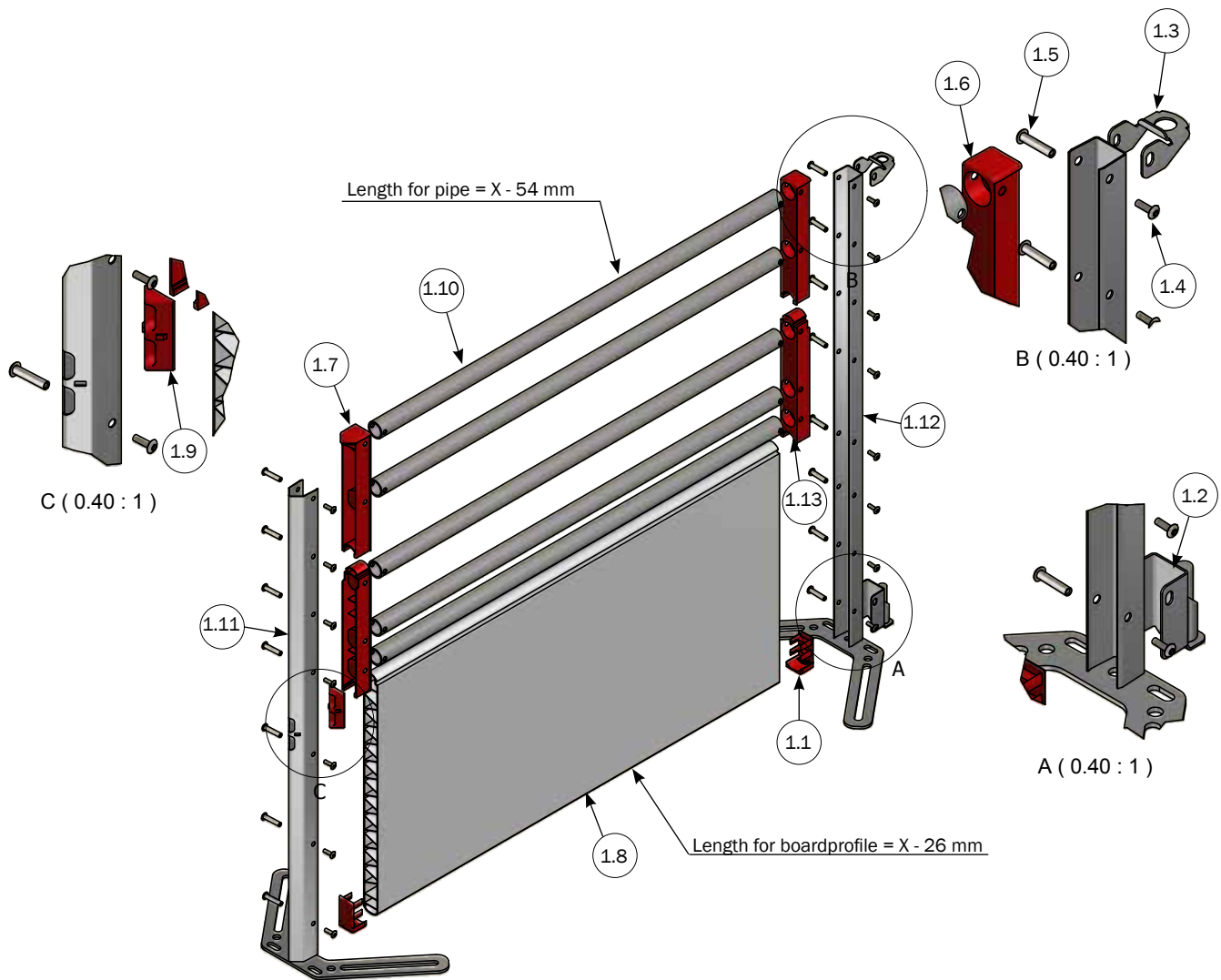


PARTS LIST

NO.	PCS.	ITEM NO.	DESCRIPTION
1	1	4210512U	KIT FOR FRONT PART H100 BOARDPROFILE/2 HINGE POST/RECEIVER POST
1.1	2	30013	PLUG PANEL BOTTOM 50 CM/75 CM PANEL
1.2	1	17364	BOTTOM GATE BRACKET COF FOR U-POST
1.3	1	4950516	UPPER HINGE CLEAN-O-FLEX
1.4	15	39106020	CONNECTION SCREW M6X20 STAINLESS TORX 30
1.5	15	39206037	SPLICING SLEEVE M6X37 STAINLESS TORX 30
1.6	1	30006	PLUG PANEL TOP 2 TOP PIPES
1.7	1	30007	PLUG PANEL TOP POINTED 2 TOP PIPES
1.8	LBM	30105	BOARDPROFILE 35X750 MM SPEC. LENGTH PRICE PER METER
1.9	1	30005	PLUG PANEL POINTED W.HOLES/LOCK
1.10	LBM	112406	33.7 X 2.60 PIPE GALV. PRICE PER METER, LENGTH 6 METER
1.11	1	4250007	POST H100 WITH RECEIVER
1.12	1	4250006	POST FOR CLEAN-O-FLEX H1000

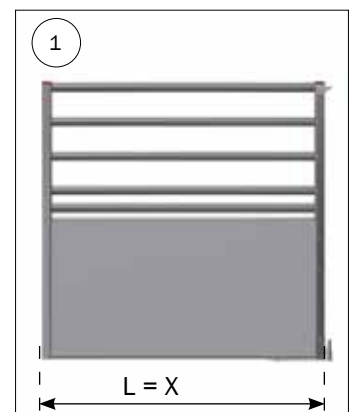


UNASSEMBLED FRONT PART WITH RECEIVER/HINGE FOR CLEAN-O-FLEX 1000 BOARDPROFILE/5 BARS

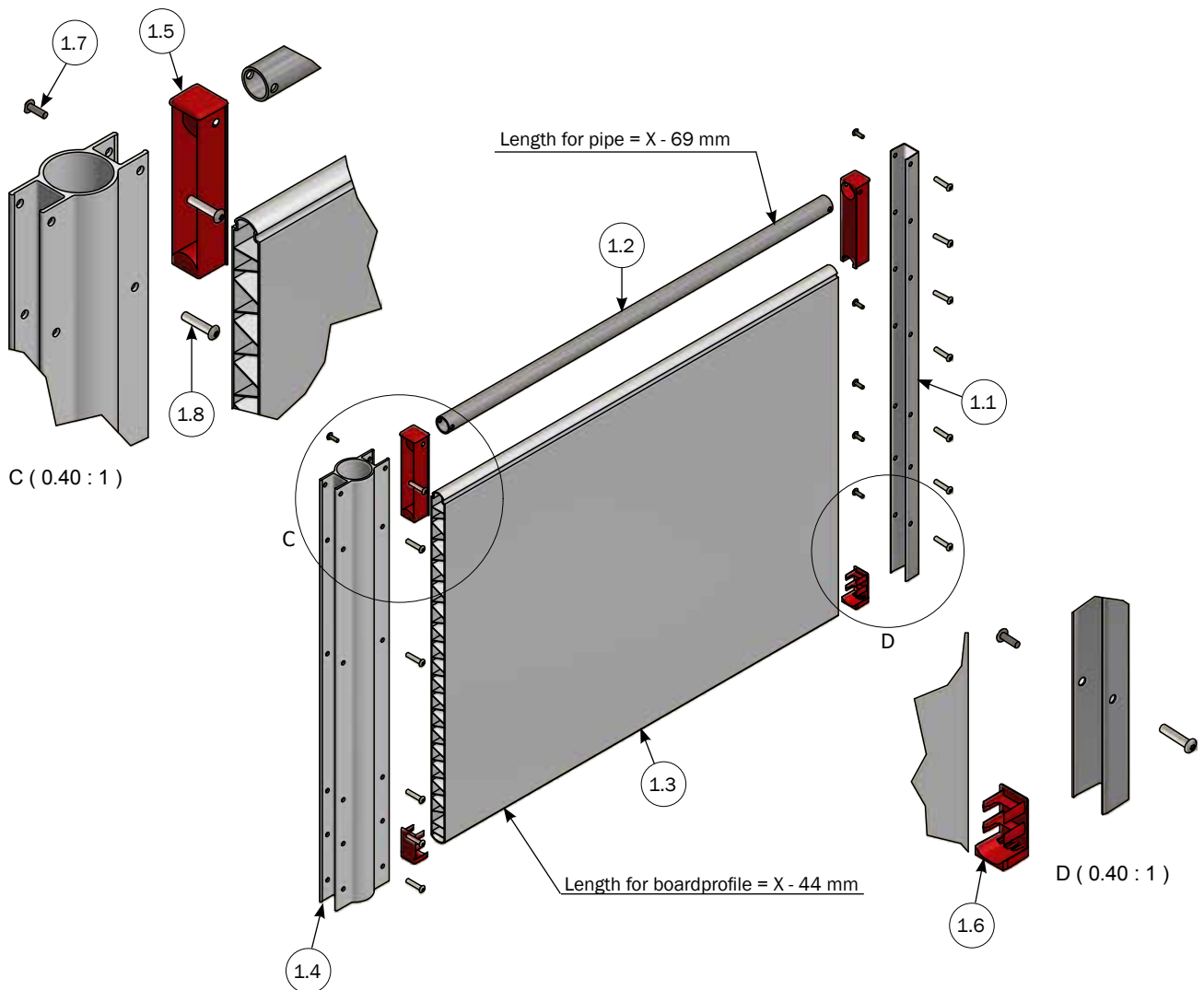


PARTS LIST

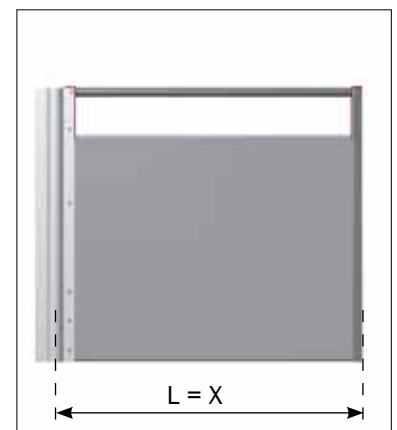
NO.	PCS.	ITEM NO.	DESCRIPTION
1	1	4210507U	KIT FOR FRONT PART H100 BOARDPROFILE/5 HINGE POST/RECEIVER POST
1.1	2	30013	PLUG PANEL BOTTOM 50 CM/75 CM PANEL
1.2	1	17364	BOTTOM GATE BRACKET COF FOR U-POST
1.3	1	4950516	UPPER HINGE CLEAN-O-FLEX
1.4	15	39106020	CONNECTION SCREW M6X20 STAINLESS TORX 30
1.5	15	39206037	SPLICING SLEEVE M6X37 STAINLESS TORX 30
1.6	1	30006	PLUG PANEL TOP 2 TOP PIPES
1.7	1	30007	PLUG PANEL TOP POINTED 2 TOP PIPES
1.8	LBM	30105	BOARDPROFILE 35X750 MM SPEC. LENGTH PRICE PER METER
1.9	1	30005	PLUG PANEL POINTED W.HOLES/LOCK
1.10	LBM	112406	33.7 X 2.60 PIPE GALV. PRICE PER METER, LENGTH 6 METER
1.11	1	4250007	POST H100 WITH RECEIVER
1.12	1	4250006	POST FOR CLEAN-O-FLEX H1000
1.13	2	30016	PLUG 3 TOP PIPES



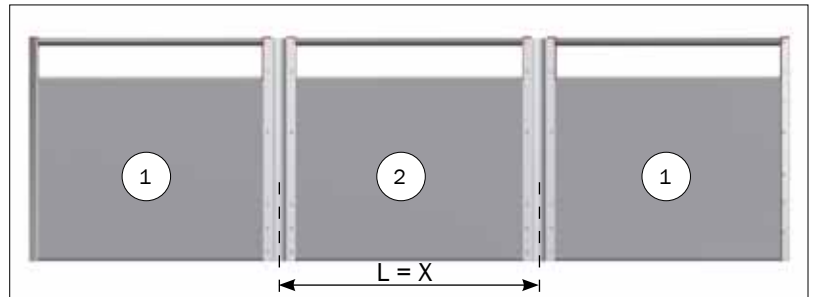
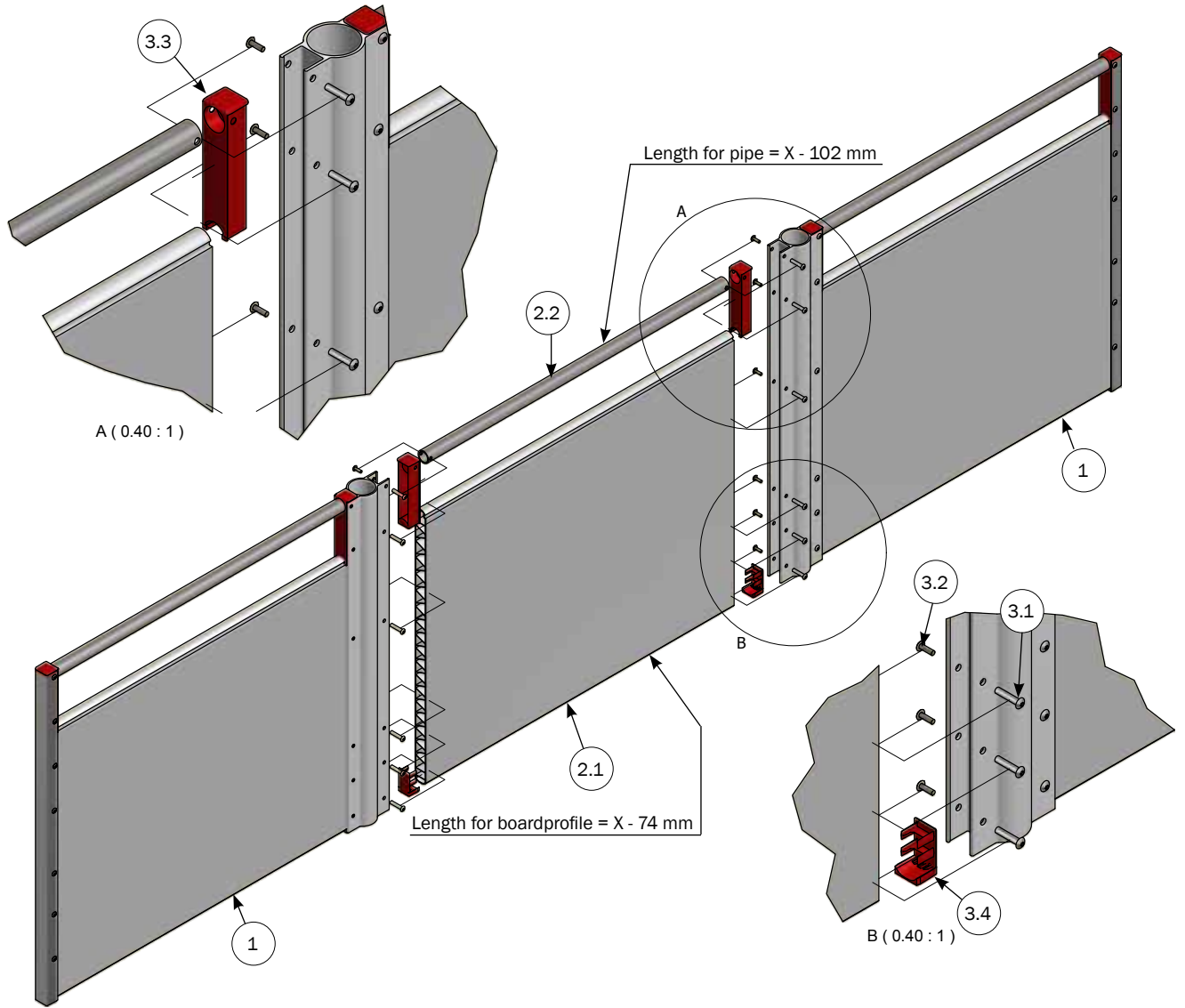
UNASSEMBLED LIQUIDFEED WALL 1+2 DOWNPIPE FOR CLEAN-O-FLEX 1000



PARTS LIST			
NO.	PCS.	ITEM NO.	DESCRIPTION
1	1	39705U	KIT FOR LIQUIDFEED WALL H:100 FOR 1+2 DOWNPIPE UPROFILE/DOWNSPIPE
1.1	1	34722	U-PROFILE H: 92,8 CM FOR LIQUIDFEED WALL
1.2	LBM	112406	33.7 X 2.60 PIPE GALV. PRICE PER METER, LENGTH 6 METER
1.3	LBM	30105	BOARDPROFILE 35X750 MM SPEC. LENGTH PRICE PER METER
1.4	1	30158	DOWNSPIPE INN-O-WALL L=928
1.5	2	30055	PLUG 181 MM TOP INN-O-WALL
1.6	2	30013	PLUG PANEL BOTTOM 50 CM/75 CM PANEL
1.7	12	39106020	CONNECTION SCREW M6X20 STAINLESS TORX 30
1.8	12	39206037	SPLICING SLEEVE M6X37 STAINLESS TORX 30

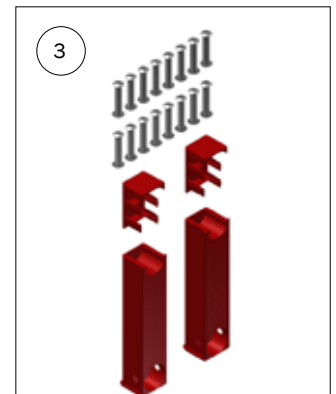


UNASSEMBLED LIQUIDFEED WALL FOR CLEAN-O-FLEX 1000

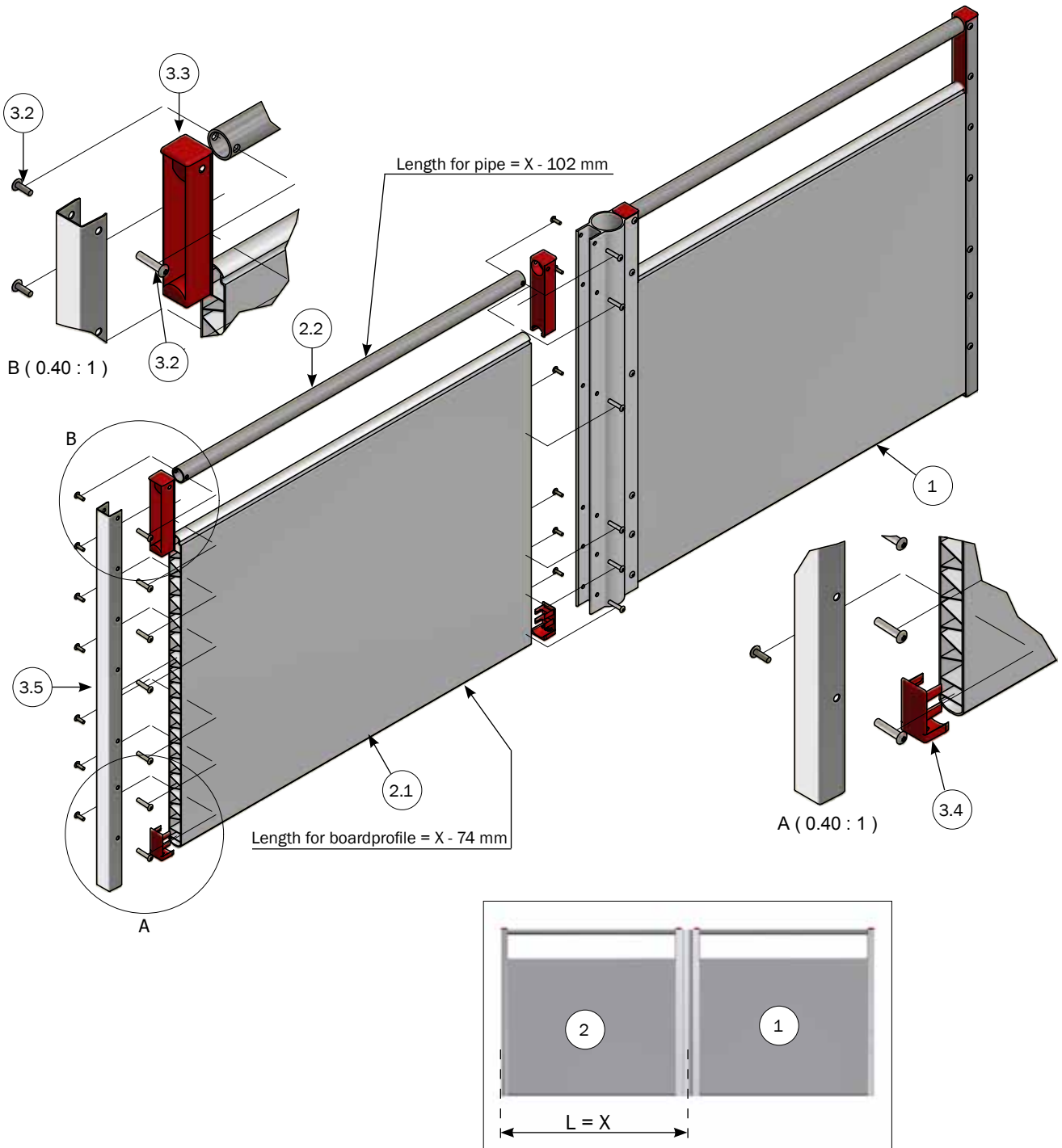


PARTS LIST

NO.	PCS.	ITEM NO.	DESCRIPTION
1	2	39705U	UNASSEMBLED LIQUIDFEED WALL H:100 FOR 1+2DOWNPIPE UPROFILE/DOWNSPIPE
2	1	39706U	UNASSEMBLED LIQUIDFEED WALL MIDDEL PIECE H100 BOARDPROFILE/BARS
2.1	1	30105	BOARDPROFILE 35X750 MM SPEC. LENGTH PRICE PER METER
2.2	1	112406	33.7 X 2.60 PIPE GALV. PRICE PER METER, LENGTH 6 METER
3	1	4200706	SCREWS AND PLUG FOR 39706 LIQUIDFEED WALL
3.1	12	39206037	SPLICING SLEEVE M6X37 STAINLESS TORX 30
3.2	12	39106020	CONNECTION SCREW M6X20 STAINLESS TORX 30
3.3	2	30055	PLUG 181 MM TOP INN-O-WALL
3.4	2	30013	PLUG PANEL BOTTOM 50 CM/75 CM PANEL



UNASSEMBLED LIQUIDFEED WALL 1 DOWNPIPE/WITHOUT DOWNPIPE CLEAN-O-FLEX 1000

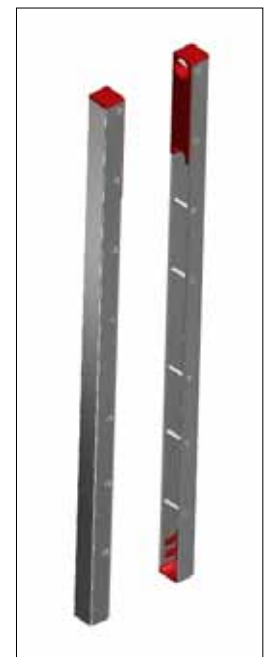
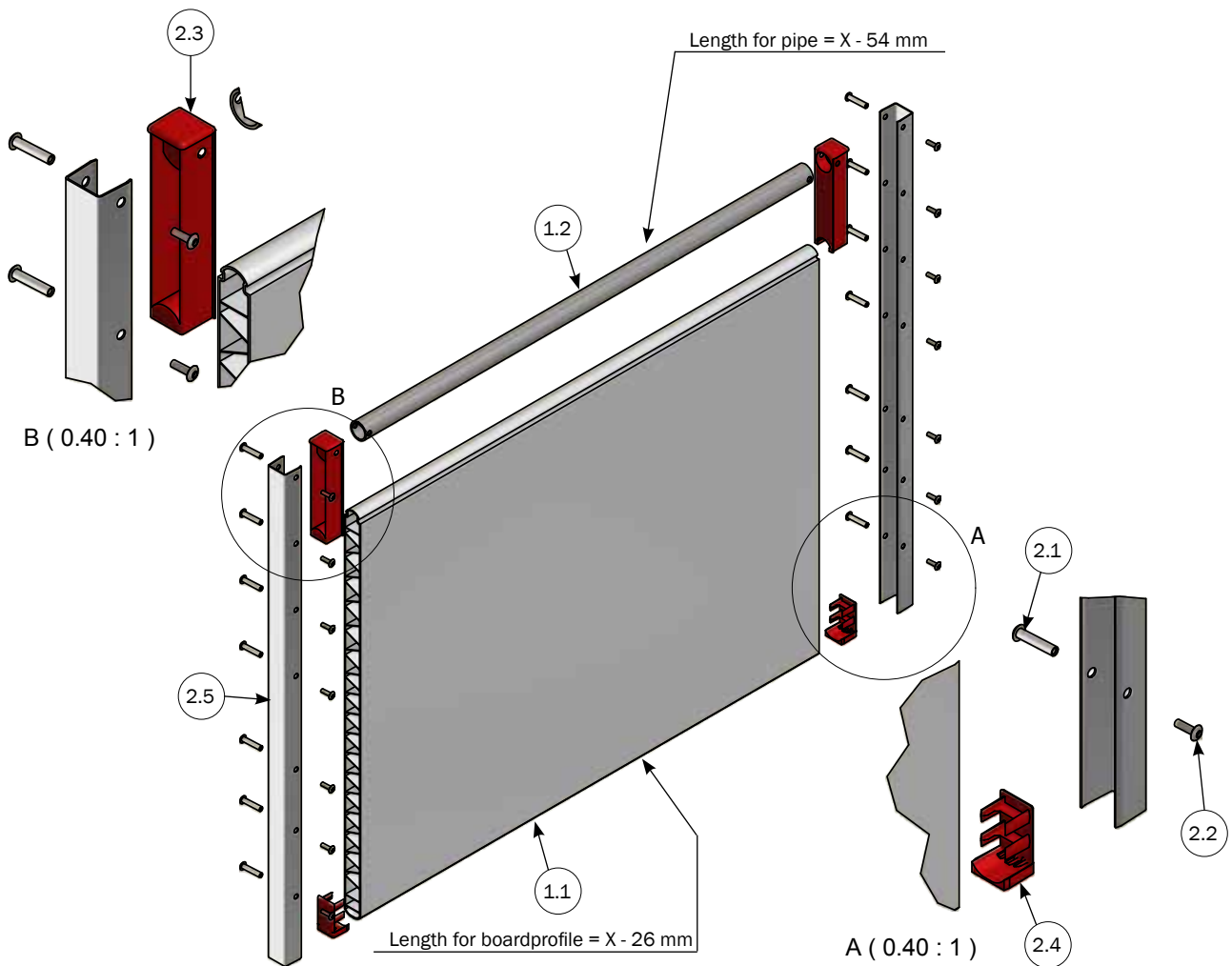


PARTS LIST

NO.	PCS.	ITEM NO.	DESCRIPTION
1	1	39705U	UNASSAMBLD LIQUIDFEED WALL H:100 FOR 1+2 DOWNPIPE UPROFILE/DOWNSPIPE
2	1	39718U	KIT FOR LIQUIDFEED WALL FOR 1 DOWNPIPE H.100 BOARDPROFILE/BARS WITHOUT DOWNPIPE
2.1	1	30105	BOARDPROFILE 35X750 MM SPEC. LENGTH PRICE PER METER
2.2	1	112406	33.7 X 2.60 PIPE GALV. PRICE PER METER, LENGTH 6 METER
3	1	4200707	SCREWS/PLUG/UPROFILE FOR 39718 LIQUIDFEED WALL
3.1	13	39206037	SPLICING SLEEVE M6X37 STAINLESS TORX 30
3.2	13	39106020	CONNECTION SCREW M6X20 STAINLESS TORX 30
3.3	2	30055	PLUG 181 MM TOP INN-O-WALL
3.4	2	30013	PLUG PANEL BOTTOM 50 CM/75 CM PANEL
3.5	1	34722	U-PROFILE H: 92,8 CM FOR LIQUIDFEED WALL

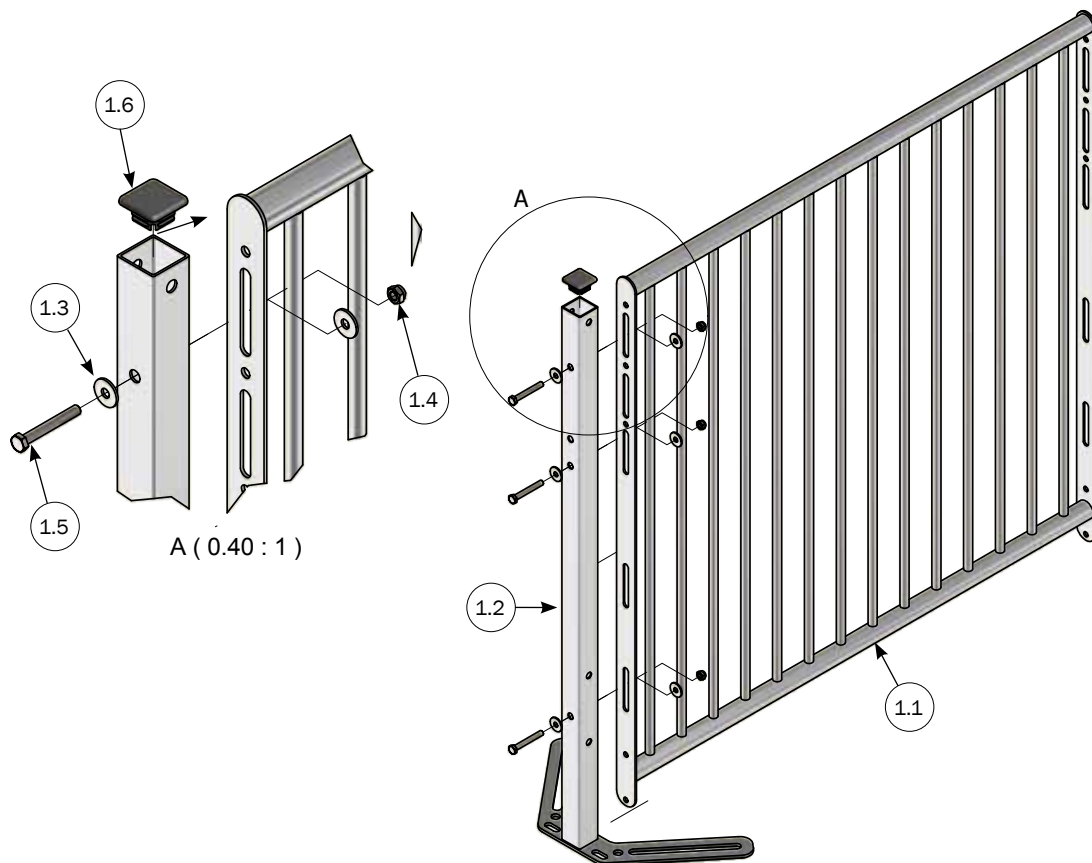


UNASSEMBLED LIQUIDFEED WALL WITHOUT DOWNPIPE FOR CLEAN-O-FLEX 1000



PARTS LIST			
NO.	PCS.	ITEM NO.	DESCRIPTION
1	1	4210701U	KIT FOR LIQUIDFEEDING WALL H100 BOARDPROFILE/BAR WITHOUT DOWNPIPE
1.1	1	30105	BOARDPROFILE 35X750 MM SPEC. LENGTH PRICE PER METER
1.2	1	112406	33.7 X 2.60 PIPE GALV. PRICE PER METER, LENGTH 6 METER
2	1	4200701	SCREWS AND PROFILE FOR 4210701
2.1	14	39206037	SPLICING SLEEVE M6X37 STAINLESS TORX 30
2.2	14	39106020	CONNECTION SCREW M6X20 STAINLESS TORX 30
2.3	2	30055	PLUG 181 MM TOP INN-O-WALL
2.4	2	30013	PLUG PANEL BOTTOM 50 CM/75 CM PANEL
2.5	2	34722	U-PROFILE H: 92,8 CM FOR LIQUIDFEED WALL

GRILLE FOR CLEAN-O-FLEX 1000 1040-1540 MM



NO.	PCS.	ITEM NO.	DESCRIPTION
		4200154	GRILLE FOR CLEAN-O-FLEX 1000/1540
		4200126	GRILLE FOR CLEAN-O-FLEX 1000/1260
1	1	4200104	GRILLE FOR CLEAN-O-FLEX 1000/1040
1.1	1	4150873	STAINLESS STEEL CONTACTGRILLE H:1000 L:1000
1.2	1	4050542	POST FOR GRILLE
1.3	6	35600058	NUT WASHER Ø8X8,4/24/2 A2 DIN9021
1.4	3	33908001	LOCK NUT M8 A2 DIN 985
1.5	3	32508060	MACHINE SCREW M8X60 A2 DIN 931
1.6	1	30085	TOP CAP 40X40X2

