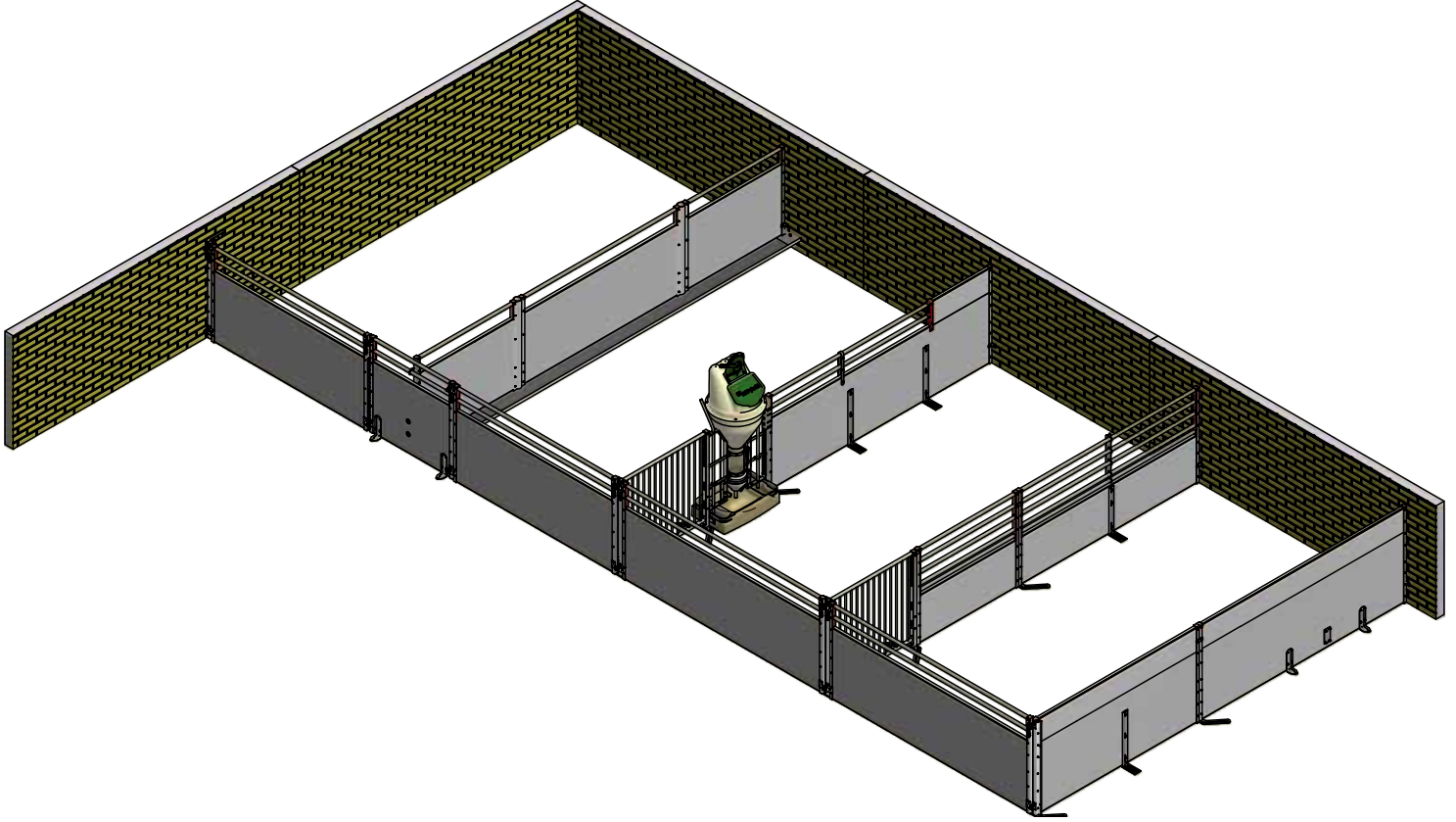


M-6200_GB

MOUNTING INSTRUCTION



CLEAN-O-FLEX 1000 WITH GATE FULL PEN



ACO FUNKI A/S

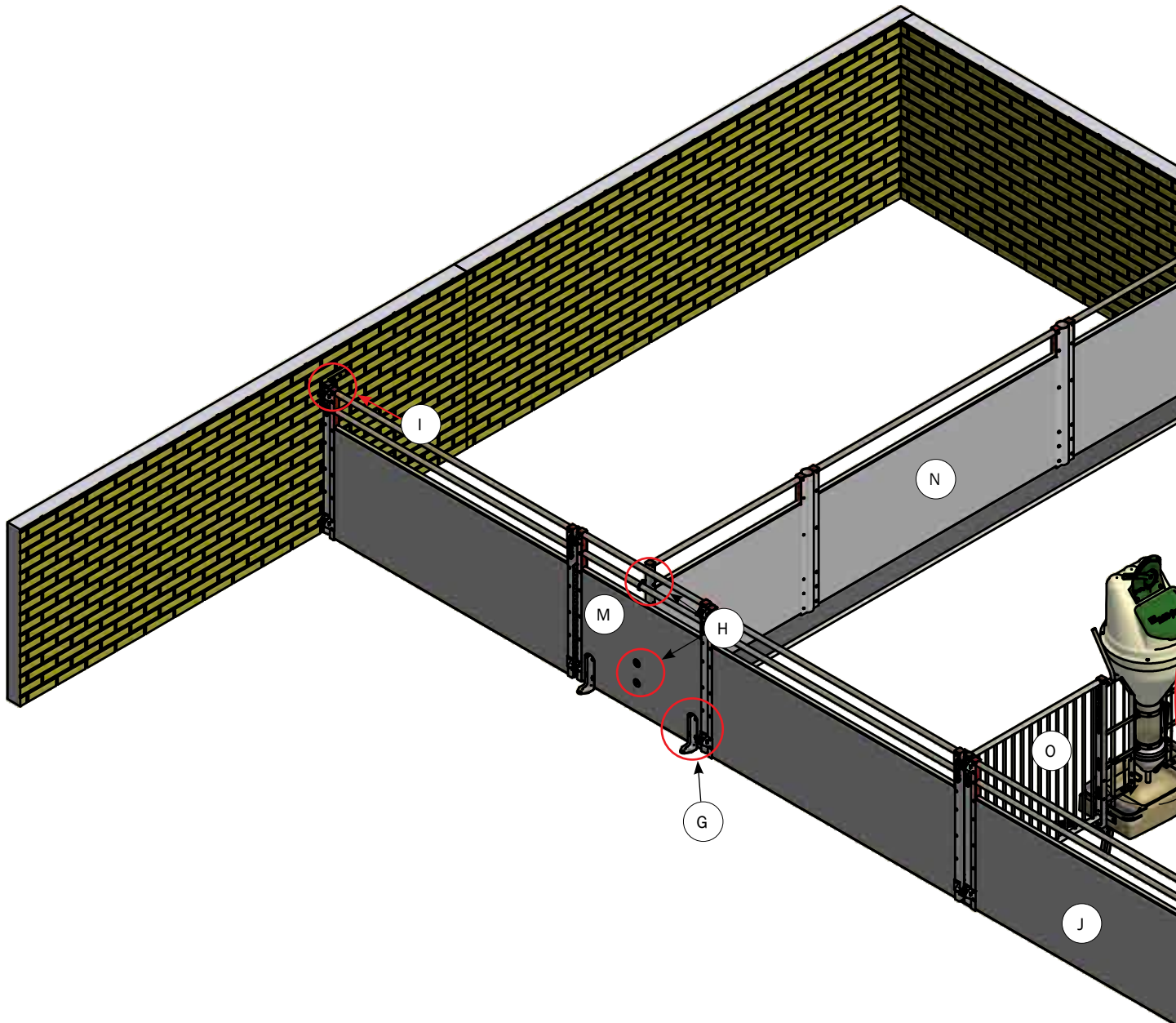
Kirkevænget 5
DK-7400 Herning

Tel. +45 9711 9600

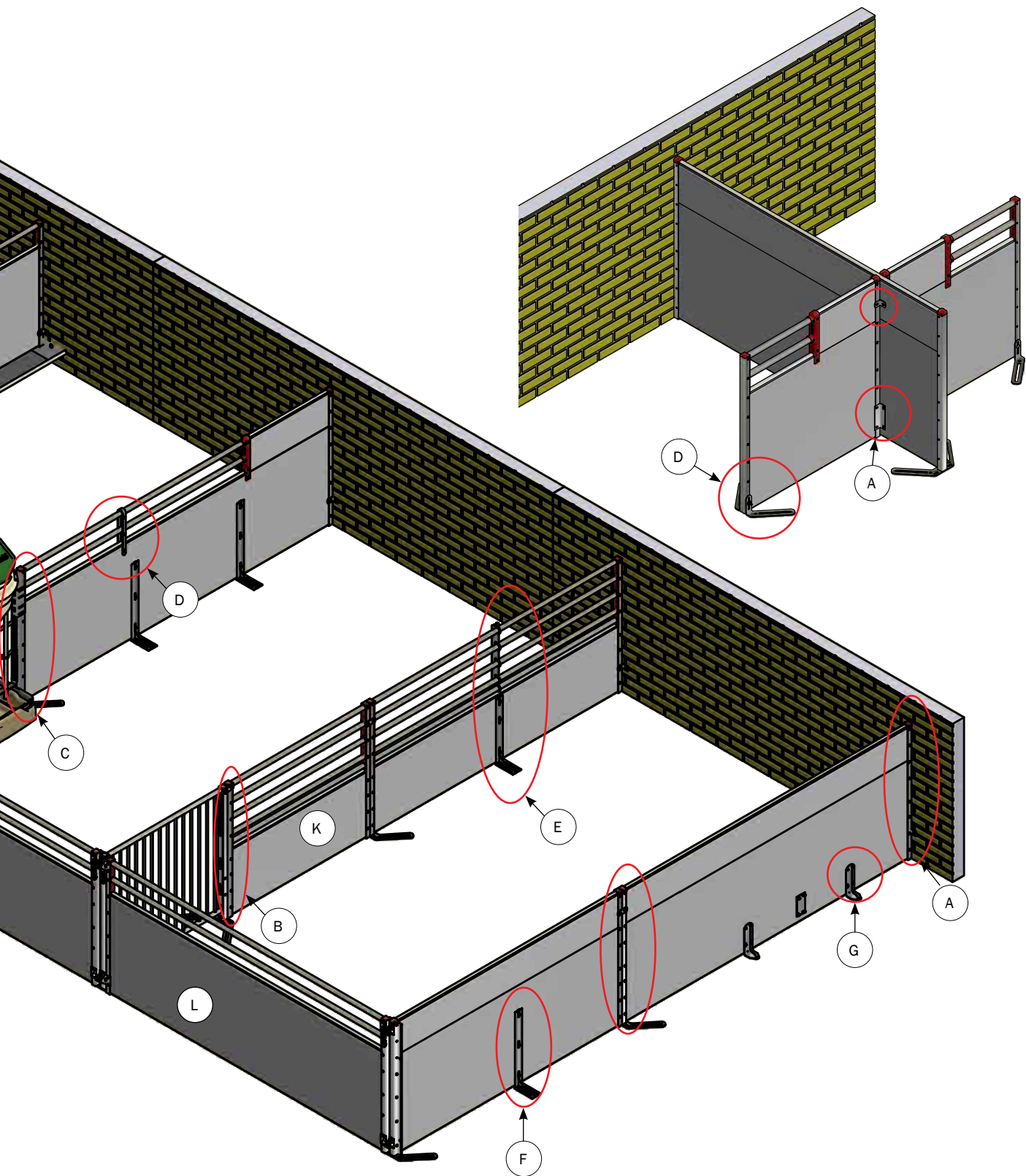
Fax +45 9711 9677

www.acofunki.com

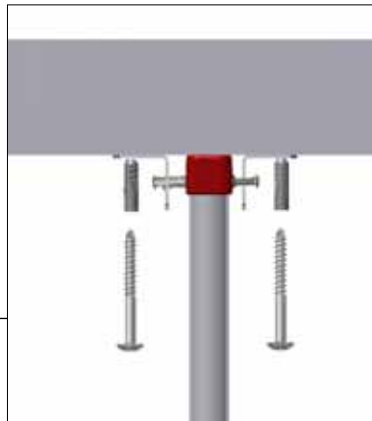
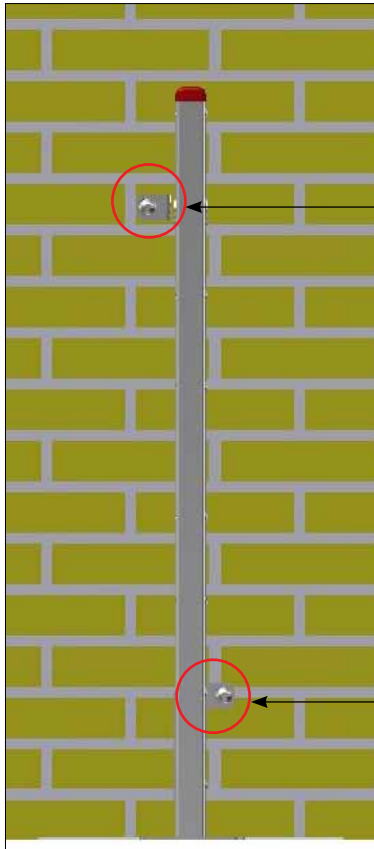
DANISH DESIGN | GERMAN QUALITY | GLOBAL EXPERIENCE



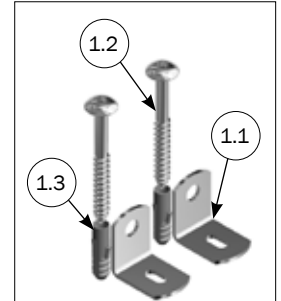
| NO. | PAGE | DESCRIPTION |
|-----|-------|--|
| A | 4 | MOUNTING AGAINST WALL/ MOUNTING DOUBLE PANELWALL AGAINST U-POST |
| B | 5 | MOUNTING 2 SIDES IN EXTENSION OF EACH OTHER/U-POST AGAINST GRILLE |
| C | 6 | MOUNTING OF U-POST AGAINST FEEDER |
| D | 7 | MOUNTING OF LOOS FOUNDATION/ STABILIZATION OF BARS |
| E | 8 | STABILIZATION OF SIDE |
| F | 9 | STABILIZATION IN RESTING AREA |
| G | 10 | MOUNTING OF FOUNDATION AGAINST FRONT PART/SIDES |
| H | 11 | MOUNTING U-POST AGAINST FRONT PART |
| I | 12 | MOUNTING OF WALL BRACKET FOR GATE FULL PEN |
| J | 13-15 | PARTS LIST OF UNASSAMBLER GATE FULL PEN |
| K | 16-23 | PARTS LIST OF UNASSAMBLER SIDE |
| L | 24-26 | PARTS LIST OF UNASSAMBLER SIDE OMEGA POST/UPROFILE FOR GATE FULL PEN |
| M | 27-29 | PARTS LIST OF UNASSAMBLER FRONT PART GATE FOR FULL PEN |
| N | 30-33 | PARTS LIST OF UNASSAMBLER LIQUIDFEED WALL H100 |
| O | 34-35 | OVERVIEW ON GRILLE H100 |



MOUNTING OF U-POST AGAINST WALL

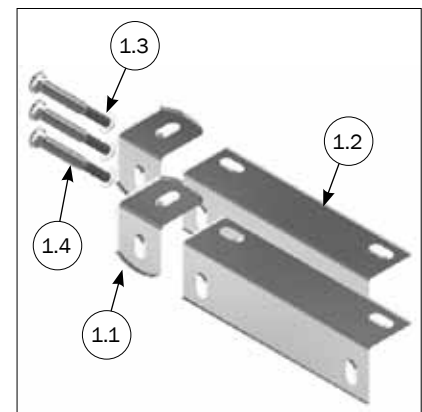
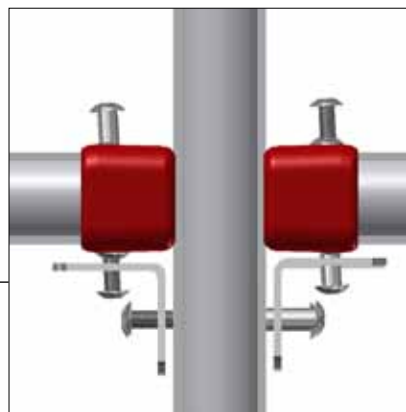
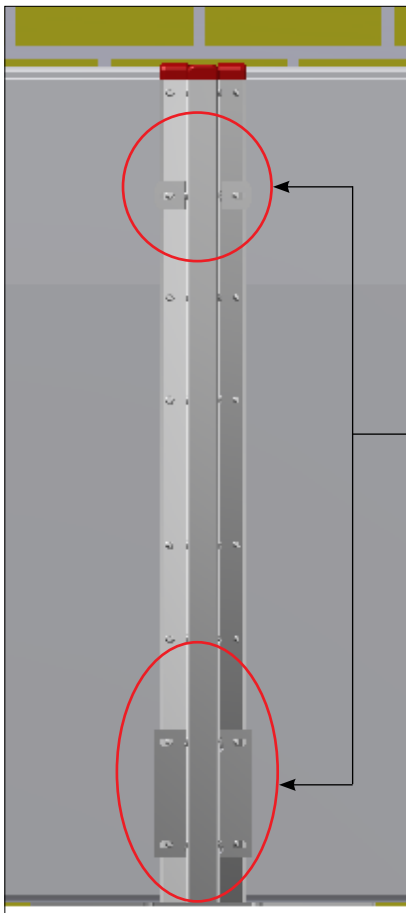


Bracket is mounted with connection screw from post.



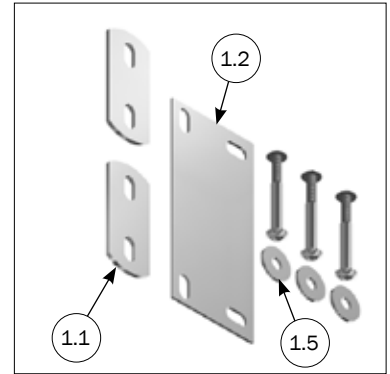
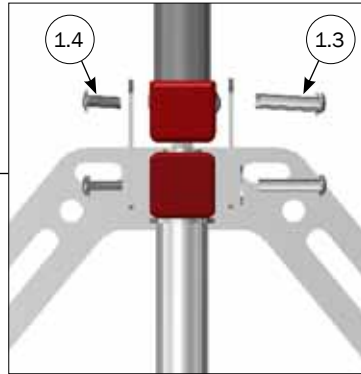
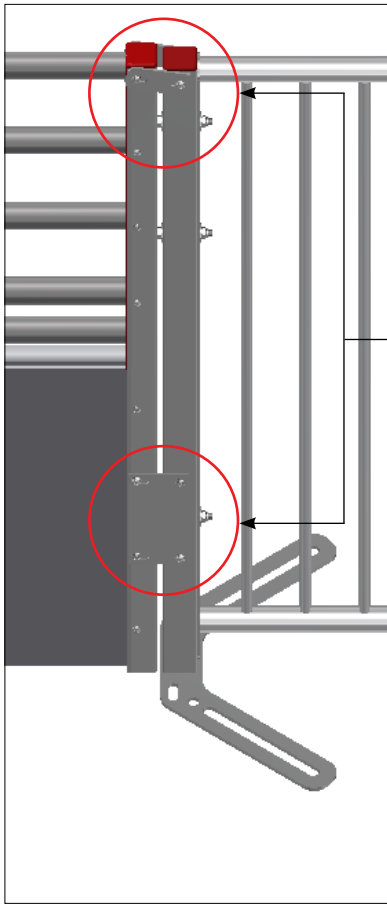
| PARTS LIST | | | |
|------------|------|----------|---|
| NO. | PCS. | ITEM NO. | DESCRIPTION |
| 1 | 1 | 38520 | MOUNT KIT FOR U-POST AGAINST WALL |
| 1.1 | 2 | 30906 | WALL BRACKET ANGLE/PANEL |
| 1.2 | 2 | 67444 | 10 X 70 BUTTON HEAD TORX 50 STAINLESS STEEL |
| 1.3 | 2 | 39900001 | WALL PLUG 12X60 MM |

MOUNTING OF U-POST AGAINST DOUBLE PANELWALL



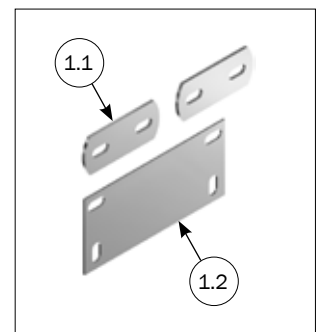
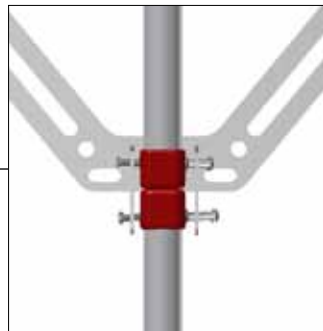
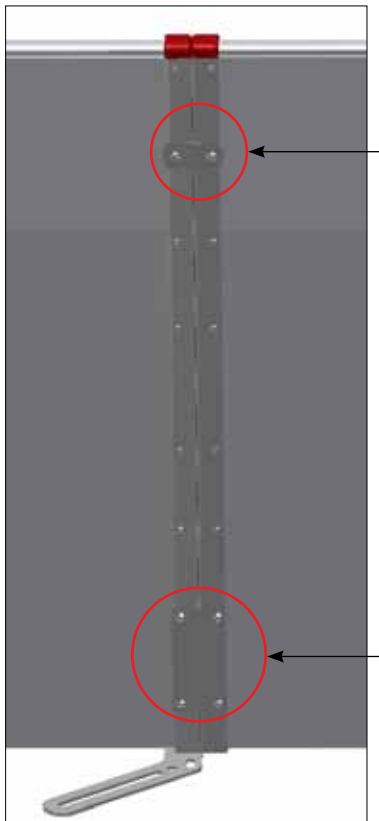
| PARTS LIST | | | |
|------------|------|----------|--|
| NO. | PCS. | ITEM NO. | DESCRIPTION |
| 1 | 1 | 38530 | MOUNT KIT F/UPOST DOUBLE AGAINST PANELWALL |
| 1.1 | 2 | 30900 | WALL BRACKET SMALL |
| 1.2 | 2 | 30901 | ANGLE BRACKET, LONG |
| 1.3 | 3 | 39106020 | CONNECTION SCREW M6X20 STAINLESS TORX 30 |
| 1.4 | 3 | 39206037 | SPLICING SLEEVE M6X37 STAINLESS TORX 30 |

MOUNTING OF U-POST AGAINST GRILLE



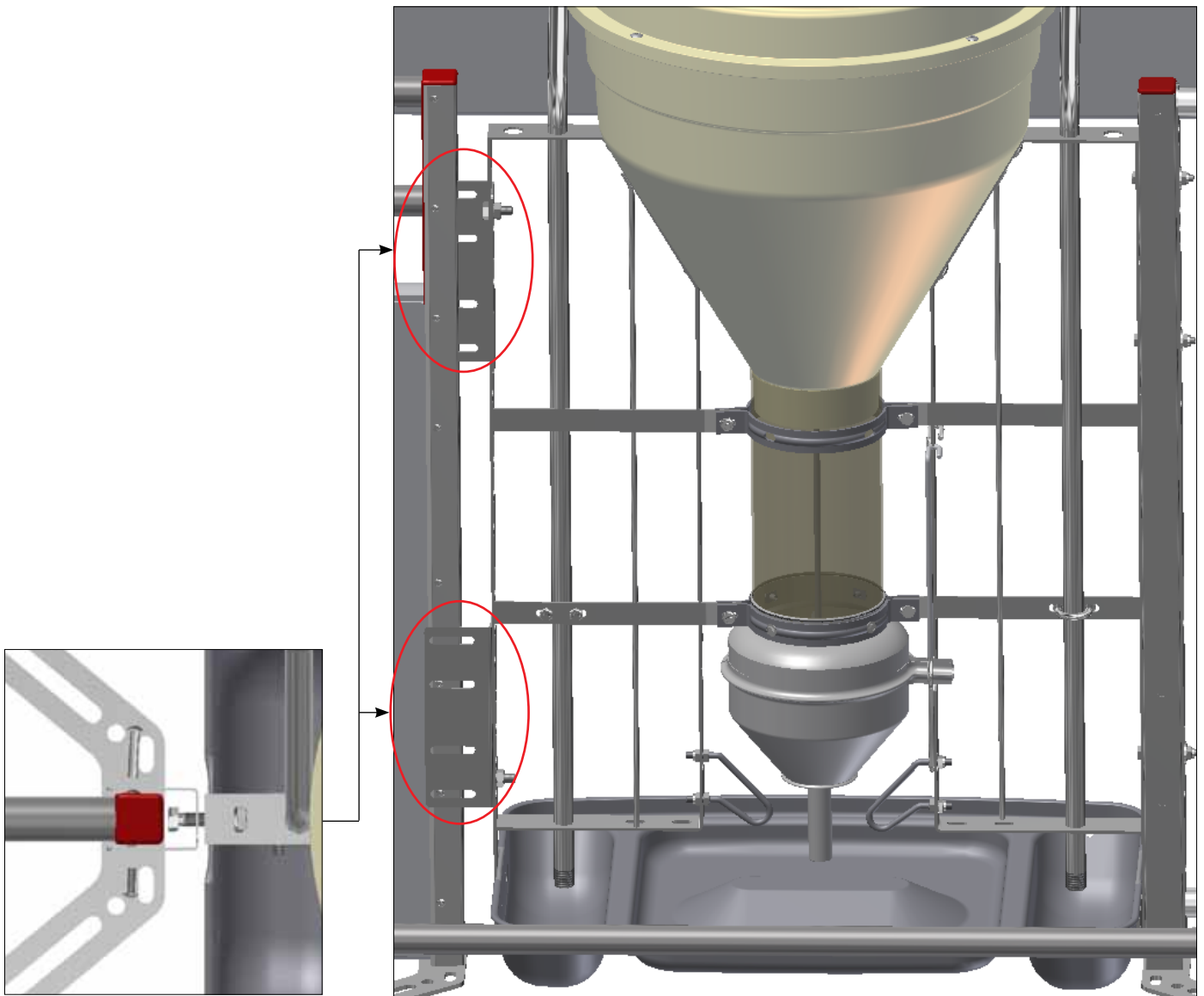
| PARTS LIST | | | |
|------------|------|----------|--|
| NO. | PCS. | ITEM NO. | DESCRIPTION |
| 1 | 1 | 38525 | MOUNT KIT F/U-POST AGAINST GRILLE |
| 1.1 | 2 | 30902 | ASSEMBLY BRACKET FLAT IRON, SMALL |
| 1.2 | 1 | 30903 | ASSEMBLY BRACKET FLAT IRON, LARGE |
| 1.3 | 3 | 39206037 | SPLICING SLEEVE M6X37 STAINLESS TORX 30 |
| 1.4 | 3 | 39106020 | CONNECTION SCREW M6X20 STAINLESS TORX 30 |
| 1.5 | 3 | 35600058 | NUT WASHER Ø8X8,4/24/2 A2 DIN9021 |

MOUNTING OF 2 SIDES IN EXTENSION OF EACH OTHER

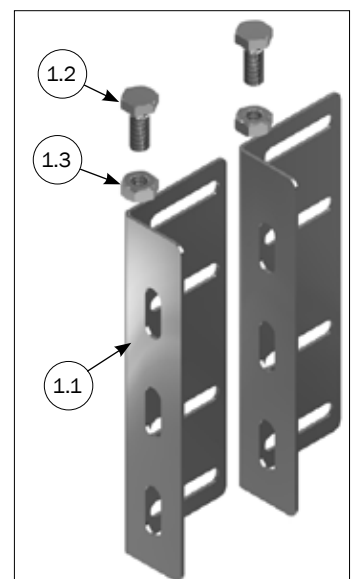


| PARTS LIST | | | |
|------------|------|----------|---|
| NO. | PCS. | ITEM NO. | DESCRIPTION |
| 1 | 1 | 38522 | BRACKET FOR MOUNTING 2 SIDES IN EXTENSION OF EACH OTHER |
| 1.1 | 2 | 30902 | ASSEMBLY BRACKET FLAT IRON, SMALL |
| 1.2 | 1 | 30903 | ASSEMBLY BRACKET FLAT IRON, LARGE |

MOUNTING OF BRACKET ON U-POST AGAINST FEEDER

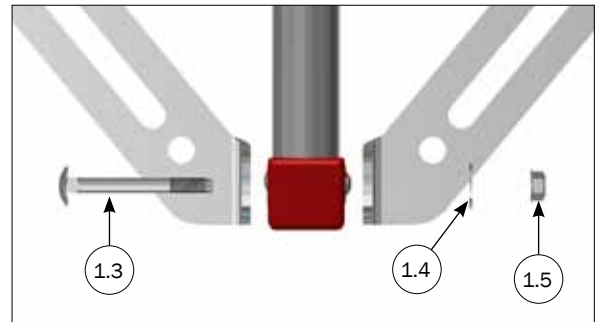


Bracket is mounted with connection screw from post.

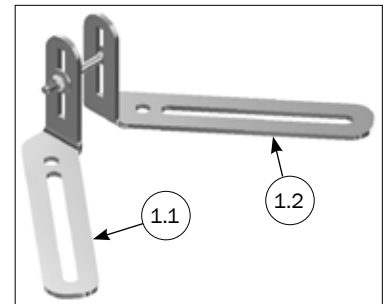


| PARTS LIST | | | |
|------------|------|----------|--------------------------------------|
| NO. | PCS. | ITEM NO. | DESCRIPTION |
| 1 | 1 | 38524 | MOUNT KIT FOR U-POST AGAINST FEEDERS |
| 1.1 | 2 | 30904 | TUBE-O-MAT® BRACKET |
| 1.2 | 2 | 30310025 | SET SCREW M10X25 A2 DIN 933 |
| 1.3 | 2 | 33510017 | NUT M10 A2 DIN 934 |

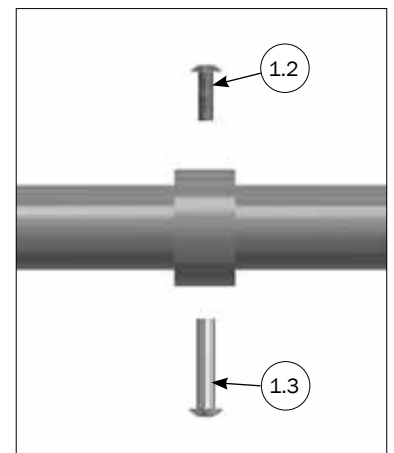
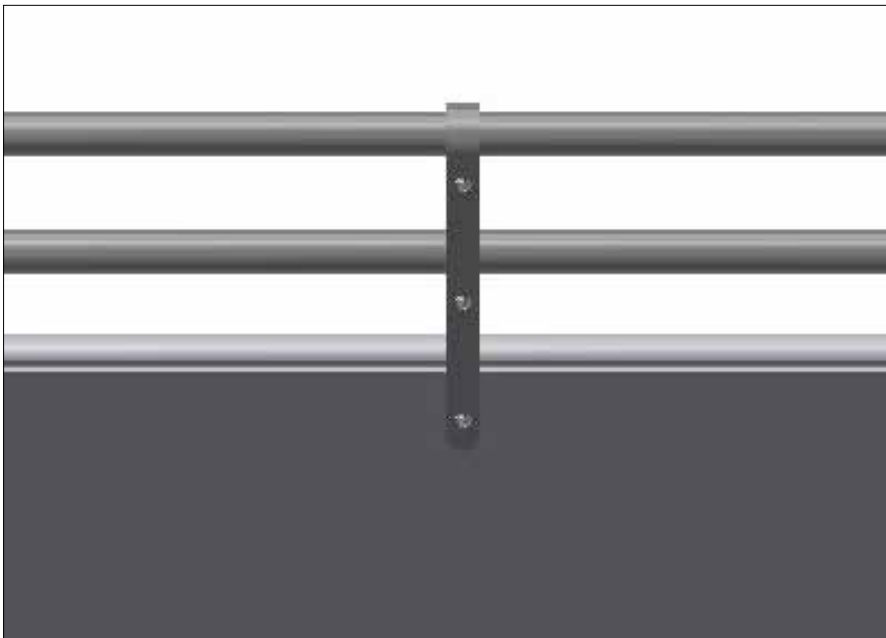
MOUNTING OF LOOSE FOUNDATION



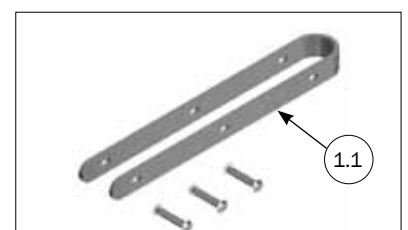
| PARTS LIST | | | |
|------------|------|----------|---------------------------------------|
| NO. | PCS. | ITEM NO. | DESCRIPTION |
| 1 | 1 | 4900803 | LOOSE FOUNDATION SET LEFT ANDRIGHT |
| 1.1 | 1 | 8450702 | HALF FOOT PLATE RIGHT STAINLESS STEEL |
| 1.2 | 1 | 8450701 | HALF FOOT PLATE LEFT STAINLESS STEEL |
| 1.3 | 1 | 36308075 | MUSHROOMHEADED BOLT M8X75 A2 DIN 603 |
| 1.4 | 1 | 35600058 | NUT WASHER Ø8X8,4/24/2 A2 DIN9021 |
| 1.5 | 1 | 68552 | M8 FLANGE NUT DIN 6923 A2 |



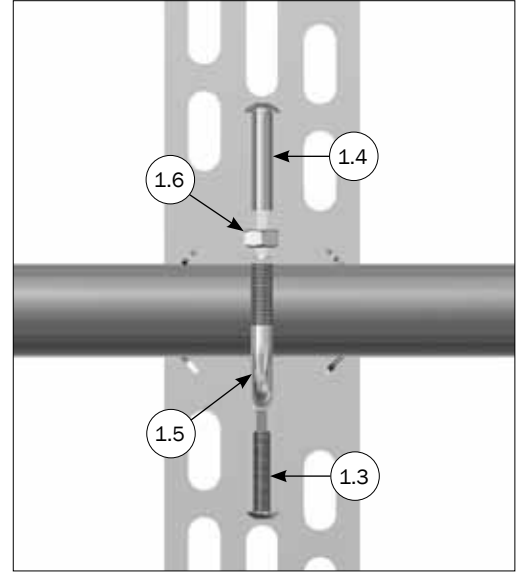
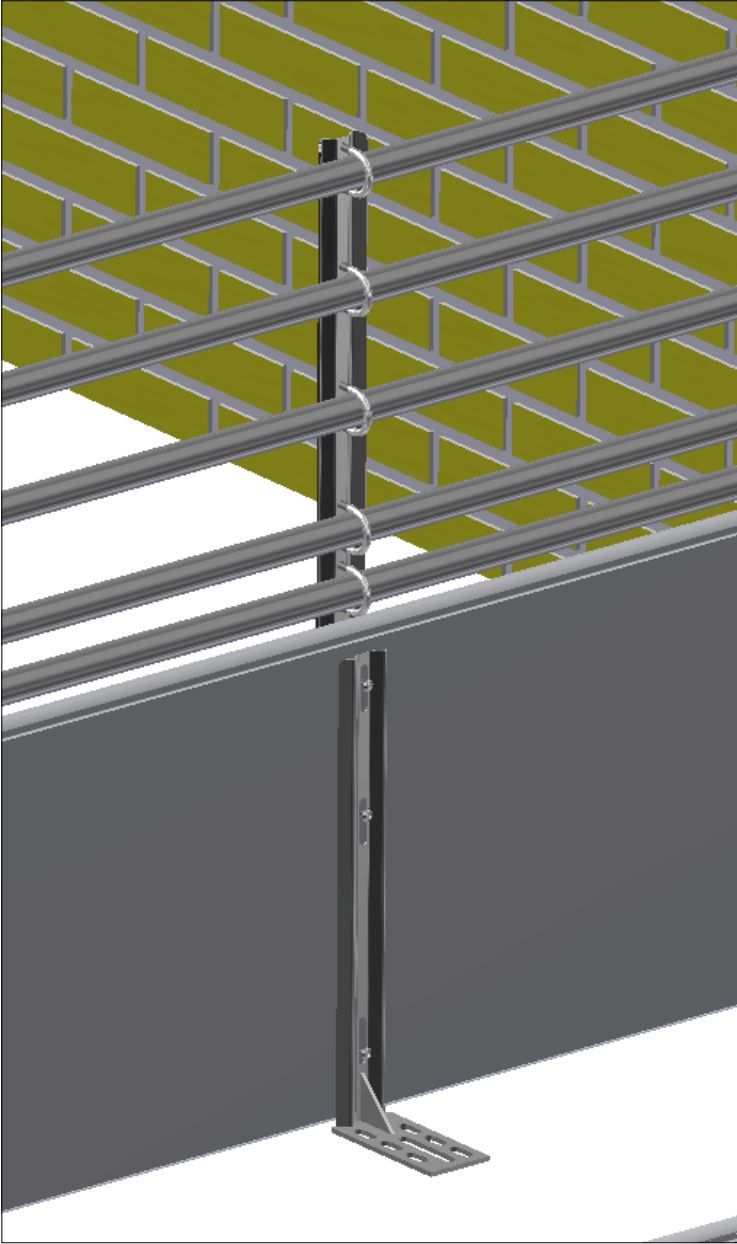
STABILIZATION FOR BARS



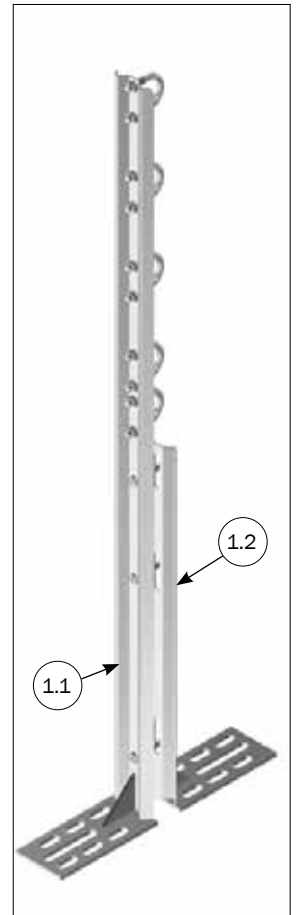
| PARTS LIST | | | |
|------------|------|----------|--|
| NO. | PCS. | ITEM NO. | DESCRIPTION |
| 1 | 1 | 4900331 | SUPPORT FOR BOARDPROFILE AND BARS, INCL SCREWS |
| 1.1 | 1 | 4920331 | SUPPORT FOR PANEL AND BARS |
| 1.2 | 3 | 39106020 | CONNECTION SCREW M6X20 STAINLESS TORX 30 |
| 1.3 | 3 | 39206037 | SPLICING SLEEVE M6X37 STAINLESS TORX 30 |



STABILIZATION



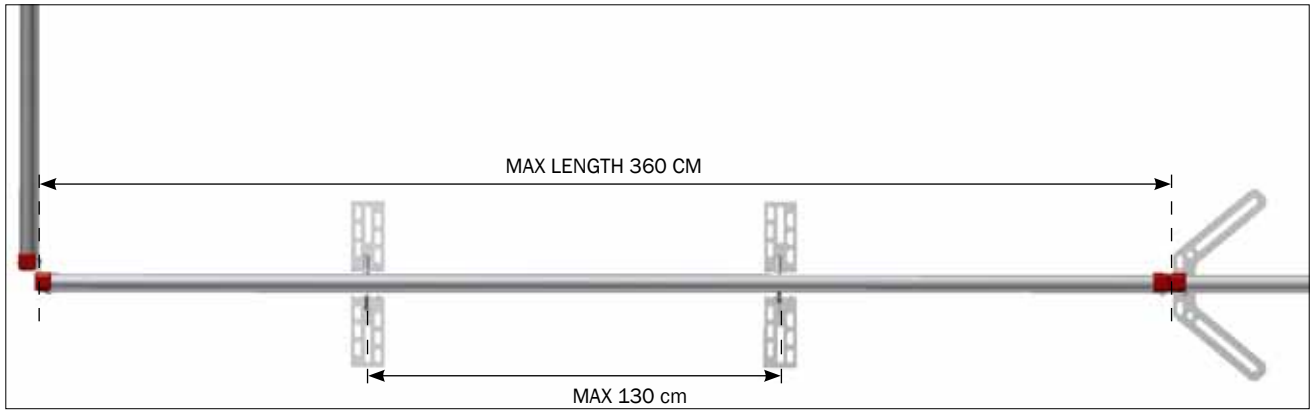
If partition has a length for 2500 mm or more, **must** stabilization post be mounted.



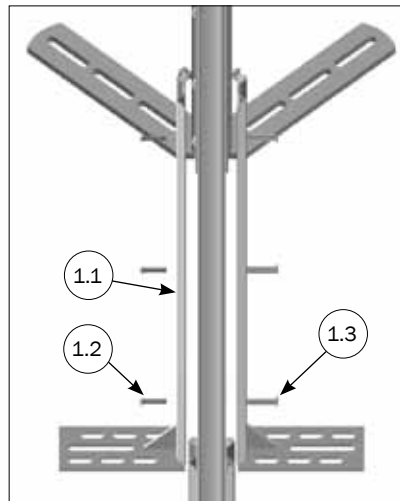
PARTS LIST

| NO. | PCS. | ITEM NO. | DESCRIPTION |
|-----|------|----------|--|
| | | 38927 | STABILIZATION POST BOARDPROFILE/2 BARS H100 EX. BOLT FOR FLOOR |
| 1 | 1 | 38918 | STABILIZATION POST FOR BOARDPROFILE/5 BARS H100 EXCL. BOLT FLOOR |
| 1.1 | 1 | 38916 | STABILIZATION POST H100 CLEAN-O-FLEX 102,4 CM |
| 1.2 | 3 | 38917 | STABILIZATION POST H50 CLEAN-O-FLEX 49,5 CM |
| 1.3 | 3 | 39106020 | CONNECTION SCREW M6X20 STAINLESS TORX 30 |
| 1.4 | 3 | 39206037 | SPLICING SLEEVE M6X37 STAINLESS TORX 30 |
| 1.5 | 5 | 90100062 | U-BOLT 1' STAINLESS |
| 1.6 | 10 | 33508013 | NUT M8 A2 DIN 934 |

STABILIZATION IN RESTING AREA WITH POST FOR BOARDPROFILE



For stabilization in resting area must there for each 130 cm be mounted: "38923"

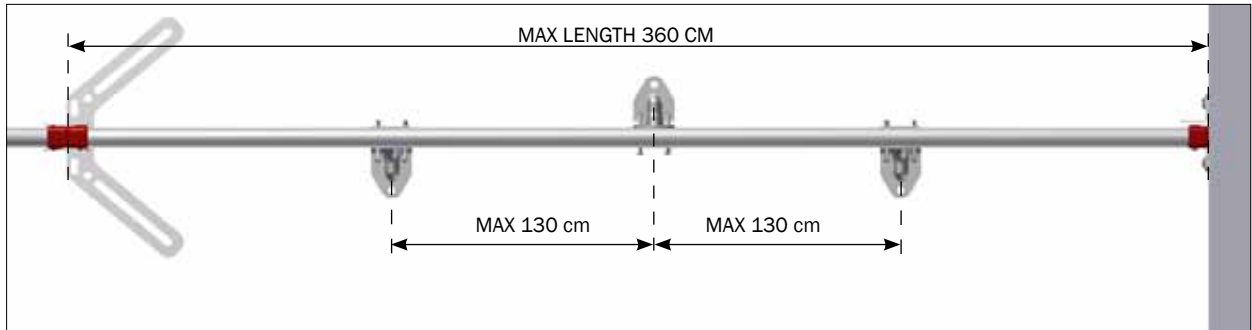


38923
STABILIZATION POST BOARDPROFILE H75/
H100 EX. BOLT FOR FLOOR



| PARTS LIST | | | |
|------------|------|----------|---|
| NO. | PCS. | ITEM NO. | DESCRIPTION |
| 1 | 1 | 38923 | STABILIZATION POST BOARDPROFILE H75/H100 EX. BOLT FOR FLOOR |
| 1.1 | 2 | 38910 | STABILIZATIONS POST H75 CLEAN-O-FLEX 63 CM |
| 1.2 | 3 | 39106020 | CONNECTION SCREW M6X20 STAINLESS TORX 30 |
| 1.3 | 3 | 39206037 | SPLICING SLEEVE M6X37 STAINLESS TORX 30 |

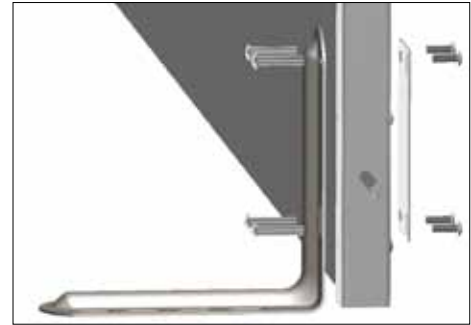
STABILIZATION IN RESTING AREA WITH LOW SUPPORT FOUNDATION



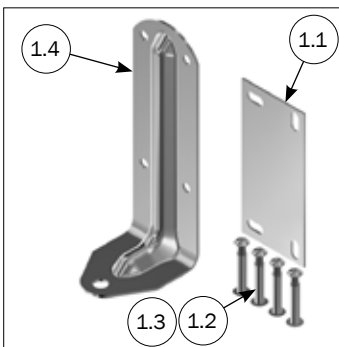
For stabilization in resting area must
for each 130 cm be mounted:
"4900802 or"4900806"



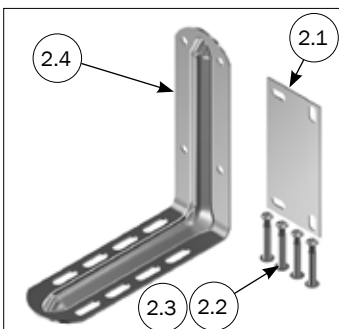
4900806
SUPPORT FOUNDATION FOR CONCRETE
CLEAN-O-FLEX



4900802
SUPPORT FOUNDATION FOR SLATS
CLEAN-O-FLEX

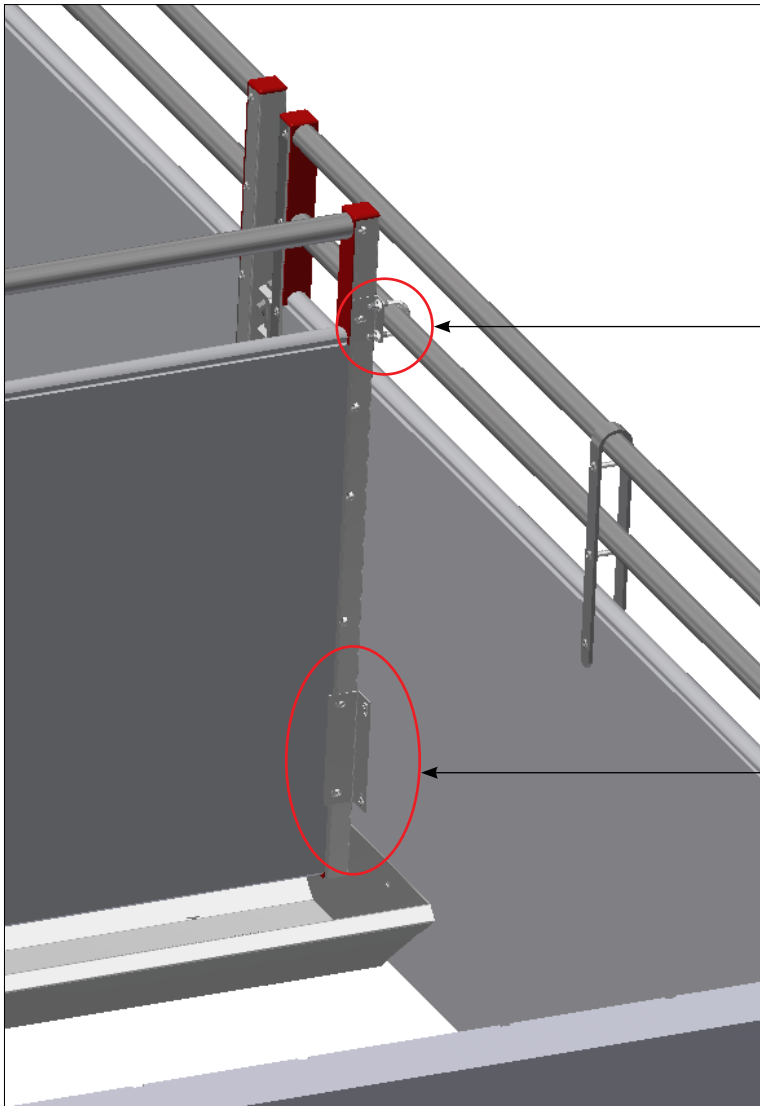


| PARTS LIST | | | |
|------------|------|----------|--|
| NO. | PCS. | ITEM NO. | DESCRIPTION |
| 1 | 1 | 4900806 | SUPPORT FOUNDATION FOR CONCRETE CLEAN-O-FLEX |
| 1.1 | 1 | 30903 | ASSEMBLY BRACKET FLAT IRON, LARGE |
| 1.2 | 4 | 39106020 | CONNECTION SCREW M6X20 STAINLESS TORX 30 |
| 1.3 | 4 | 39206037 | SPLICING SLEEVE M6X37 STAINLESS TORX 30 |
| 1.4 | 1 | 30806 | SINGLE FOOTBRACKET FOR CONCRET |

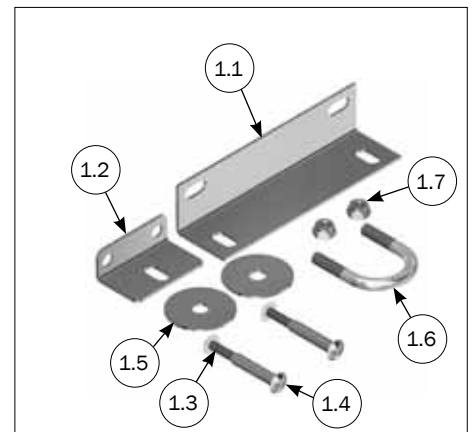


| PARTS LIST | | | |
|------------|------|----------|---|
| NO. | PCS. | ITEM NO. | DESCRIPTION |
| 2 | 1 | 4900802 | SUPPORT FOUNDATION FOR SLATS CLEAN-O-FLEX |
| 2.1 | 1 | 30903 | ASSEMBLY BRACKET FLAT IRON, LARGE |
| 2.2 | 4 | 39106020 | CONNECTION SCREW M6X20 STAINLESS TORX 30 |
| 2.3 | 4 | 39206037 | SPLICING SLEEVE M6X37 STAINLESS TORX 30 |
| 2.4 | 1 | 30802 | SINGLE FOOTBRACKET FOR SLATS |

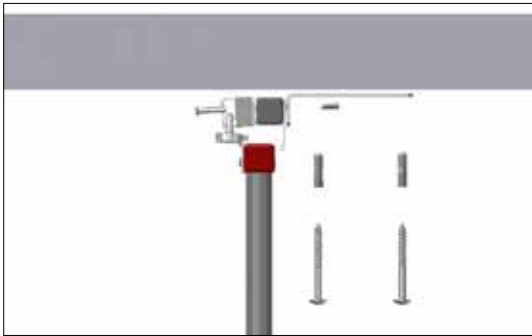
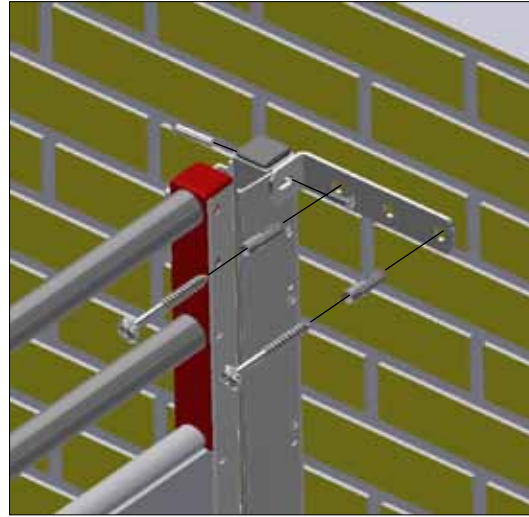
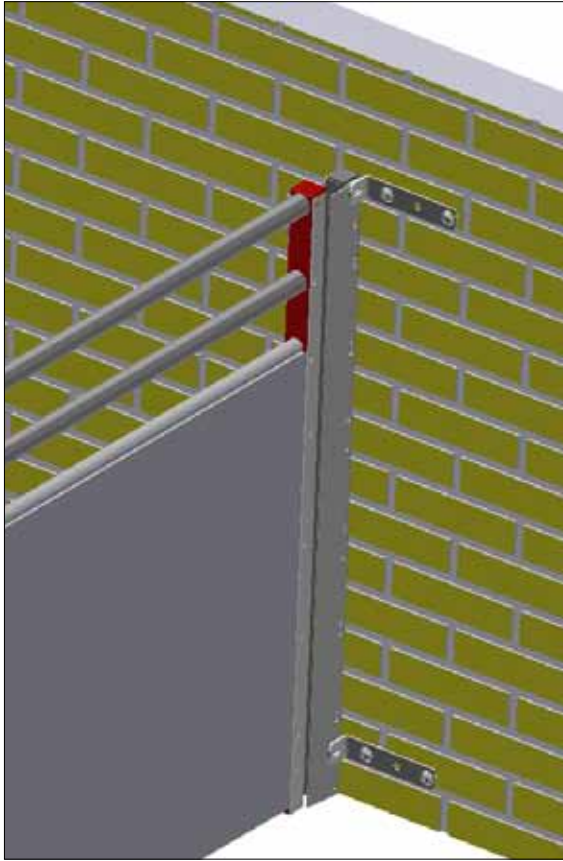
MOUNTING OF U-POST AGAINST FRONT PART BOARDPROFILE/BARS



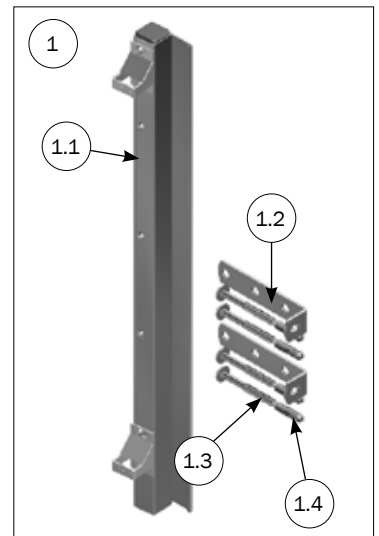
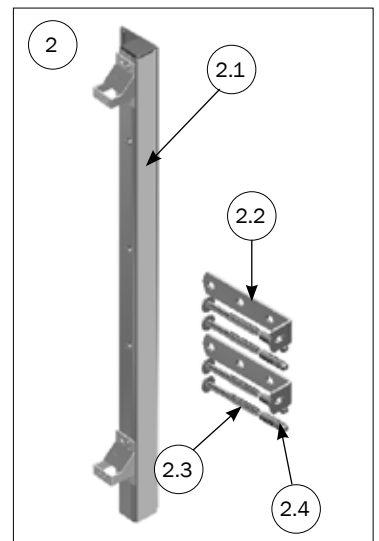
| PARTS LIST | | | |
|------------|------|----------|---|
| NO. | PCS. | ITEM NO. | DESCRIPTION |
| 1 | 1 | 38527 | MOUNT KIT F/U-POST AGAINST FRONT PART BOARDPROFILE/BARS |
| 1.1 | 1 | 30901 | ANGLE BRACKET, LONG |
| 1.2 | 1 | 30898 | ANGLE BRACKET FOR TOPBAR SMALL |
| 1.3 | 2 | 39106020 | CONNECTION SCREW M6X20 STAINLESS TORX 30 |
| 1.4 | 2 | 39206037 | SPLICING SLEEVE M6X37 STAINLESS TORX 30 |
| 1.5 | 2 | 20037 | MASTER CLAMP WASHER Ø10,5/45 1,5 A2 |
| 1.6 | 1 | 90100062 | U-BOLT 1' STAINLESS |
| 1.7 | 2 | 33908001 | LOCK NUT M8 A2 DIN 985 |



MOUNTING OF WALL BRACKET FOR GATE FULL PEN

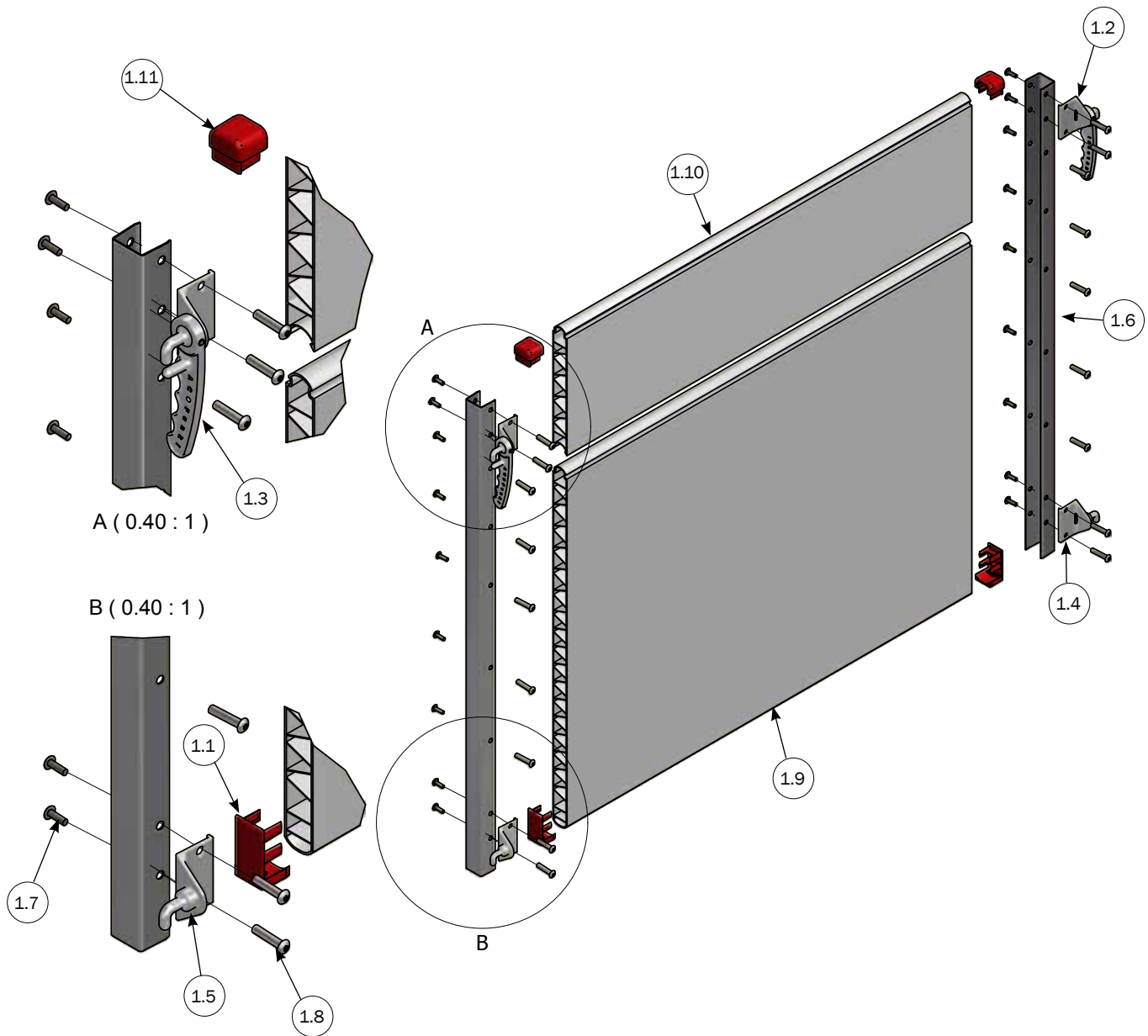


Wall bracket is mounted on post with connection screw from post



| PARTS LIST | | | |
|------------|------|----------|--|
| NO. | PCS. | ITEM NO. | DESCRIPTION |
| 1 | 1 | 4200103 | WALL BRACKET LEFT INCL. ANGLEBRACKET AND SCREWS |
| 1.1 | 1 | 4210103 | WALL BRACKET WITH HINGER LEFT |
| 1.2 | 2 | 30899 | BRACKET FOR WALL LONG |
| 1.3 | 4 | 67444 | 10 X 70 BUTTON HEAD TORX 50 STAINLESS STEEL |
| 1.4 | 4 | 39900001 | WALL PLUG 12X60 MM |
| 1 | 1 | 4200102 | WALL BRACKET RIGHT INCL. ANGLEBRACKET AND SCREWS |
| 1.1 | 1 | 4210102 | WALL BRACKET WITH HINGER RIGHT |
| 1.2 | 2 | 30899 | BRACKET FOR WALL LONG |
| 1.3 | 4 | 67444 | 10 X 70 BUTTON HEAD TORX 50 STAINLESS STEEL |
| 1.4 | 4 | 39900001 | WALL PLUG 12X60 MM |

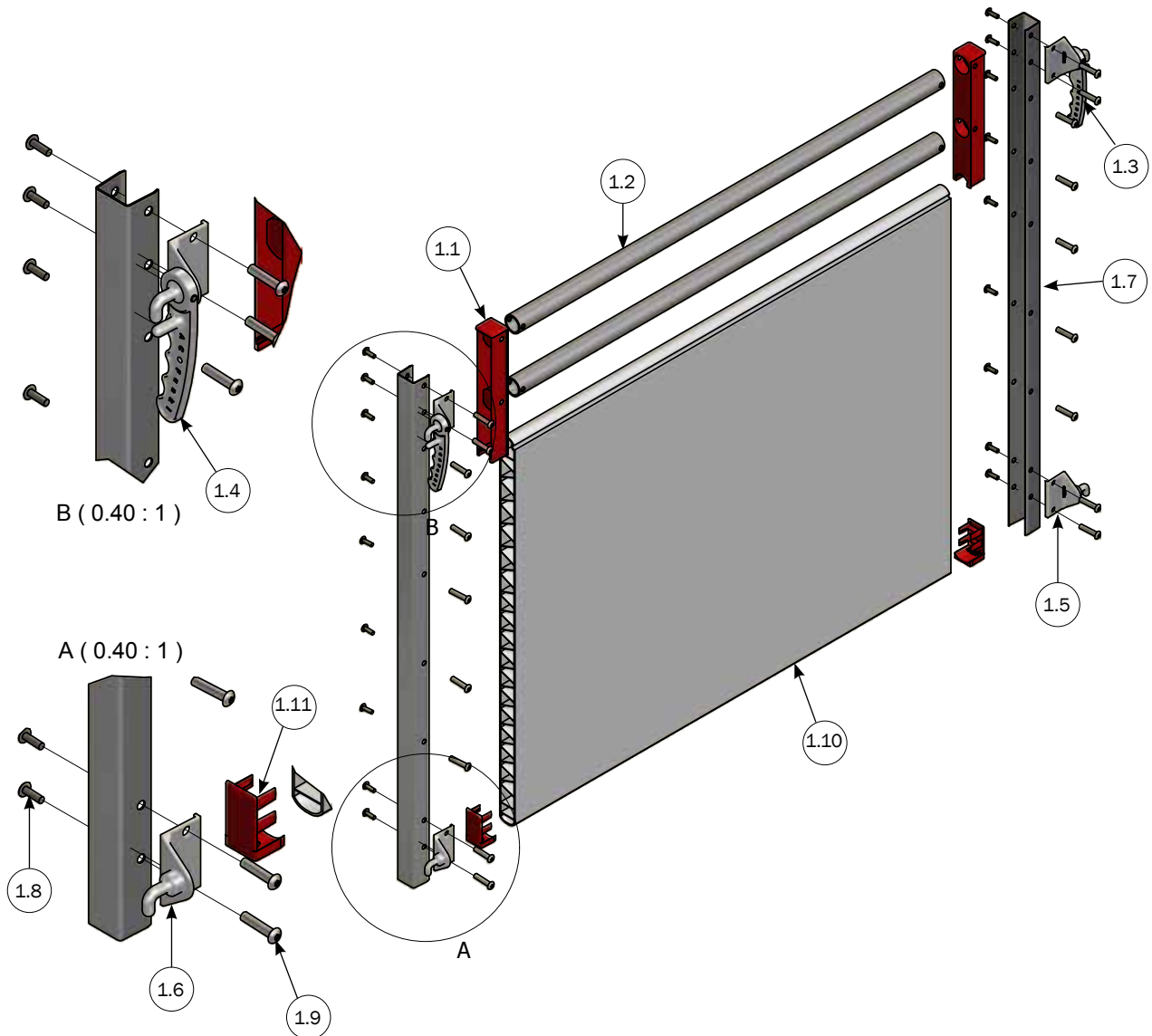
GATE FULL PEN FOR CLEAN-O-FLEX 1000 H110 300-1300 MM BOARDPROFILE WITH PIN LOCK



| NO. | ITEM NO. | DESCRIPTION |
|------|----------|---|
| 1 | 4210506 | GATE FULL PEN H100 BOARDPROFILE 0-260 CM |
| 1.1 | 30013 | PLUG PANEL BOTTOM 50 CM/75 CM PANEL |
| 1.2 | 4910900 | HANDLE STAINLESS STEEL RIGHT |
| 1.3 | 4910889 | HANDLE STAINLESS STEEL LEFT |
| 1.4 | 4950884 | LOWER HINGER FOR GATE STAINLESS STEEL RIGHT |
| 1.5 | 4950887 | LOWER HINGER FOR GATE STAINLESS STEEL LEFT |
| 1.6 | 8450607 | UPROFILE H100 FOR GATE |
| 1.7 | 39106020 | CONNECTION SCREW M6X20 STAINLESS TORX 30 |
| 1.8 | 39206037 | SPLICING SLEEVE M6X37 STAINLESS TORX 30 |
| 1.9 | 30105 | BOARDPROFILE 35X750 MM SPEC. LENGTH PRICE PER METER |
| 1.10 | 30099 | BOARDPROFILE 35X250 MM SPEC. LENGTH PRICE PER METER |
| 1.11 | 30001 | PLUG PANEL TOP |



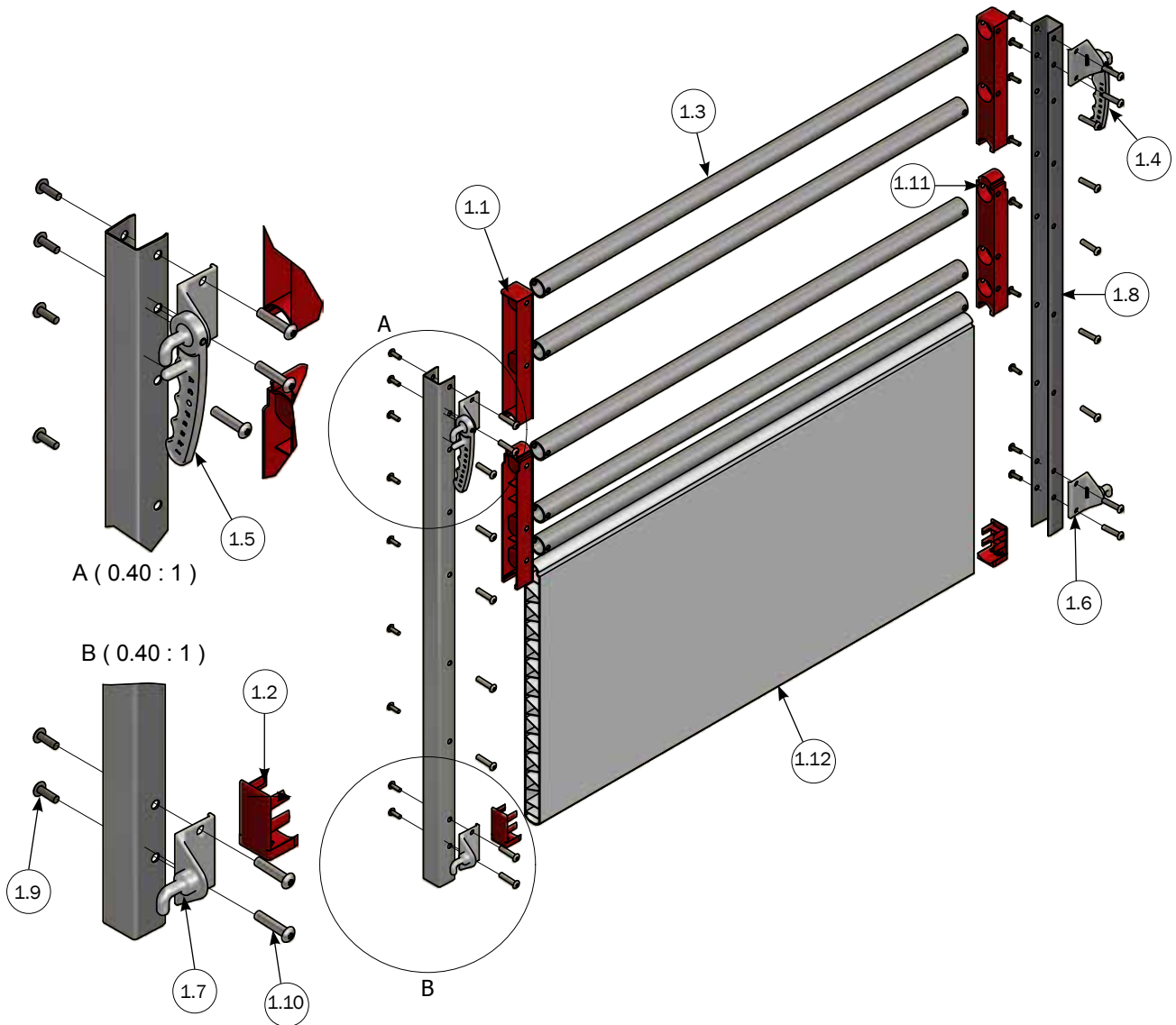
GATE FULL PEN FOR CLEAN-O-FLEX 1000 H100 300-1000 MM 2 BAR/BOARDPROFILE



| NO. | ITEM NO. | DESCRIPTION |
|------|----------|---|
| 1 | 4210504 | GATE FULL PEN H100 BOARDPROFILE/2 BARS 0-260 CM |
| 1.1 | 30006 | PLUG PANEL TOP 2 TOP PIPES |
| 1.2 | 112406 | 33.7 X 2.6 PIPE GALV. PRICE PER METER, LENGTH 6 METER |
| 1.3 | 4910900 | HANDLE STAINLESS STEEL RIGHT |
| 1.4 | 4910889 | HANDLE STAINLESS STEEL LEFT |
| 1.5 | 4950884 | LOWER HINGER FOR GATE STAINLESS STEEL RIGHT |
| 1.6 | 4950887 | LOWER HINGER FOR GATE STAINLESS STEEL LEFT |
| 1.7 | 8450607 | UPROFILE H100 FOR GATE |
| 1.8 | 39106020 | CONNECTION SCREW M6X20 STAINLESS TORX 30 |
| 1.9 | 39206037 | SPLICING SLEEVE M6X37 STAINLESS TORX 30 |
| 1.10 | 30105 | BOARDPROFILE 35X750 MM SPEC. LENGTH PRICE PER METER |
| 1.11 | 30013 | PLUG PANEL BOTTOM 50 CM/75 CM PANEL |



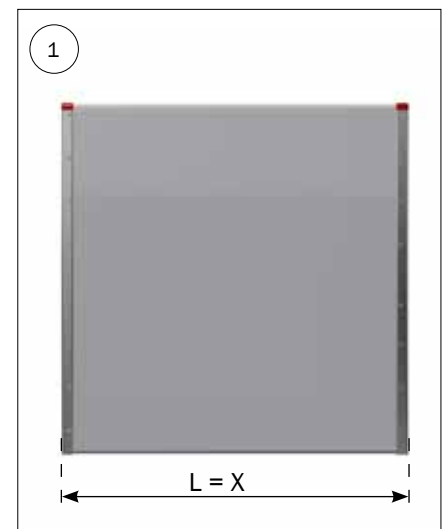
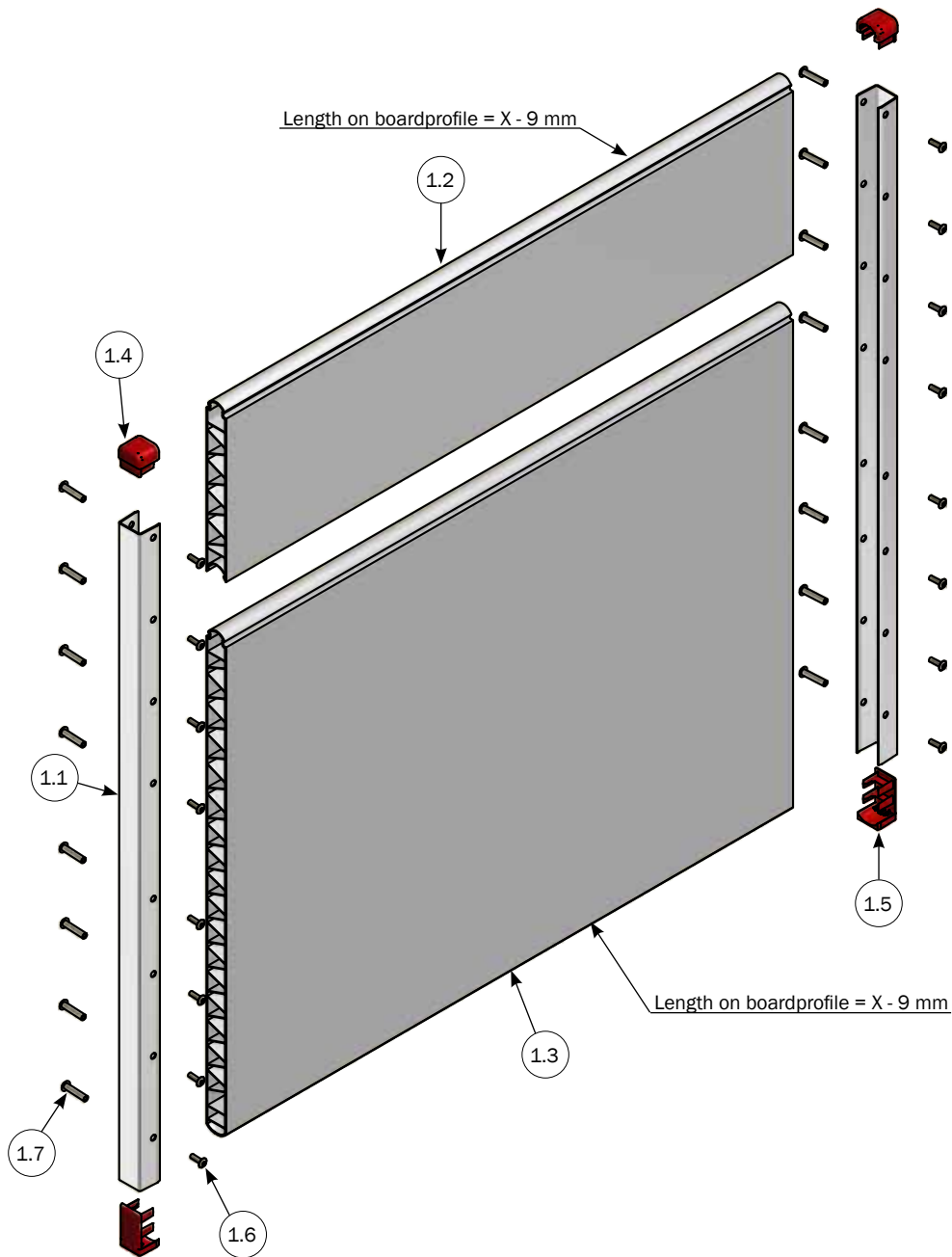
GATE FULL PEN FOR CLEAN-O-FLEX 1000 H110 1200 MM 5 BAR/BOARDPROFILE



| NO. | ITEM NO. | DESCRIPTION |
|------|----------|---|
| 1 | 4210505 | GATE FULL PEN H100 BOARDPROFILE/5 BARS 0-260 CM |
| 1.1 | 30006 | PLUG PANEL TOP 2 TOP PIPES |
| 1.2 | 30013 | PLUG PANEL BOTTOM 50 CM/75 CM PANEL |
| 1.3 | 112406 | 33.7 X 2.6 PIPE GALV. PRICE PER METER, LENGTH 6 METER |
| 1.4 | 4910900 | HANDLE STAINLESS STEEL RIGHT |
| 1.5 | 4910889 | HANDLE STAINLESS STEEL LEFT |
| 1.6 | 4950884 | LOWER HINGER FOR GATE STAINLESS STEEL RIGHT |
| 1.7 | 4950887 | LOWER HINGER FOR GATE STAINLESS STEEL LEFT |
| 1.8 | 8450607 | UPROFILE H100 FOR GATE |
| 1.9 | 39106020 | CONNECTION SCREW M6X20 STAINLESS TORX 30 |
| 1.10 | 39206037 | SPLICING SLEEVE M6X37 STAINLESS TORX 30 |
| 1.11 | 30016 | PLUG 3 TOP PIPES |
| 1.12 | 30102 | BOARDPROFILE 35X500 MM SPEC. LENGTH PRICE PER METER |



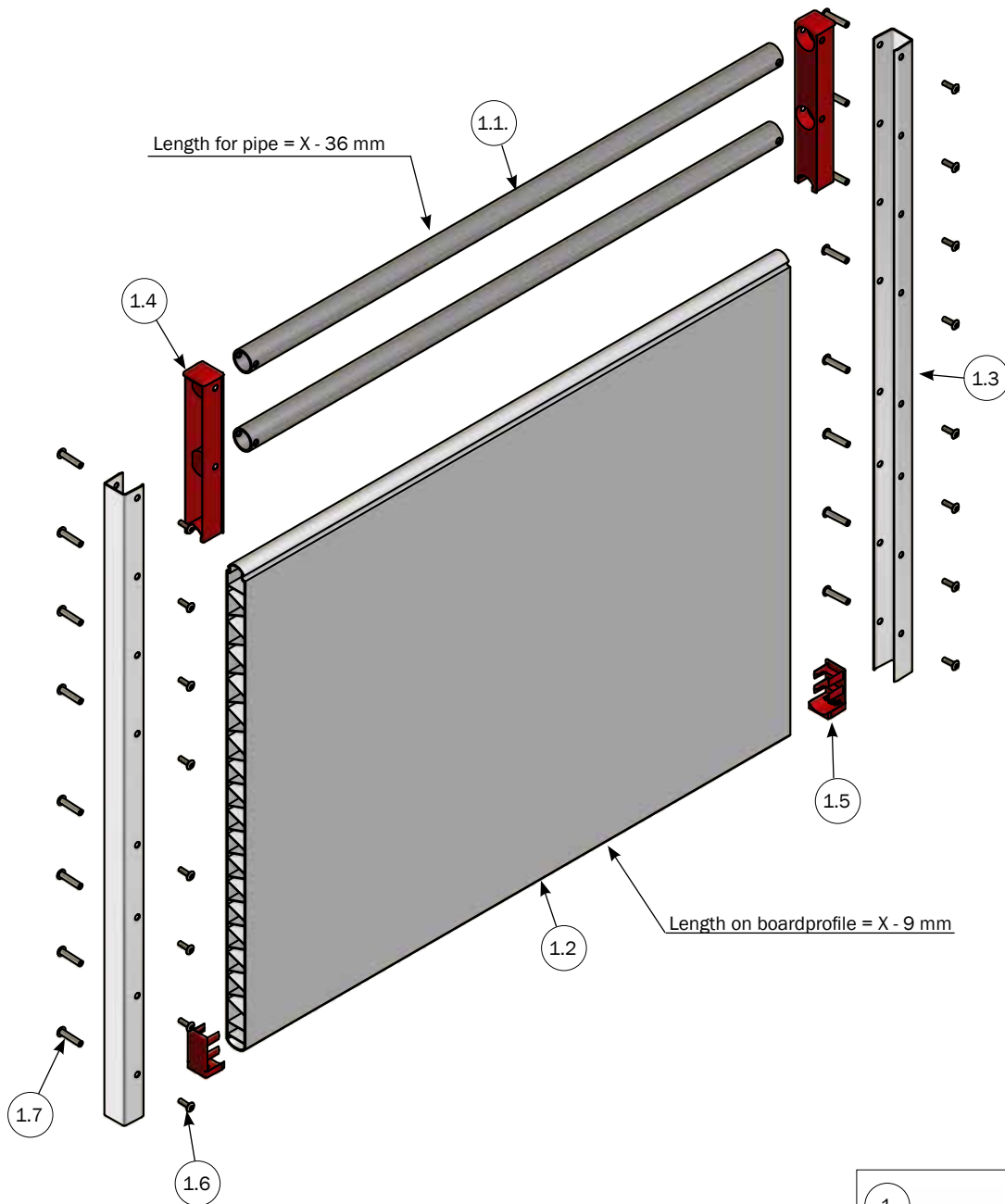
UNASSEMBLED PARTITION FOR CLEAN-O-FLEX 1000 BOARDPROFILE



PARTS LIST

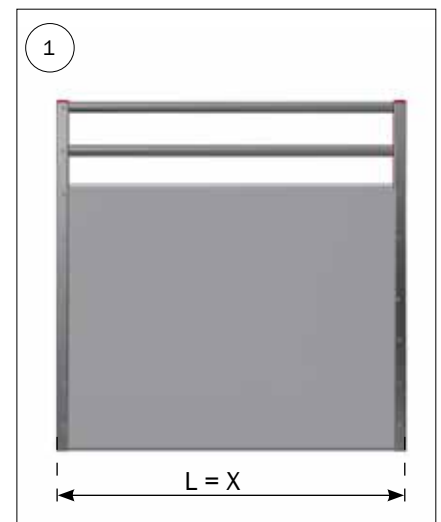
| NO. | PCS. | ITEM NO. | DESCRIPTION |
|-----|------|----------|---|
| 1 | 1 | 37300U | KIT FOR SIDE H100 BOARDPROFILE UPROFILE/UPROFILE |
| 1.1 | 2 | 38731 | CLEAN-O-FLEX® U-PROFILE H100 |
| 1.2 | LBM | 30099 | BOARDPROFILE 35X250 MM SPEC. LENGTH PRICE PER METER |
| 1.3 | LBM | 30105 | BOARDPROFILE 35X750 MM SPEC. LENGTH PRICE PER METER |
| 1.4 | 2 | 30001 | PLUG PANEL TOP |
| 1.5 | 2 | 30013 | PLUG PANEL BOTTOM 50 CM/75 CM PANEL |
| 1.6 | 16 | 39106020 | CONNECTION SCREW M6X20 STAINLESS TORX 30 |
| 1.7 | 16 | 39206037 | SPLICING SLEEVE M6X37 STAINLESS TORX 30 |

UNASSEMBLED PARTITION FOR CLEAN-O-FLEX 1000 2 BARS/BOARDPROFILE

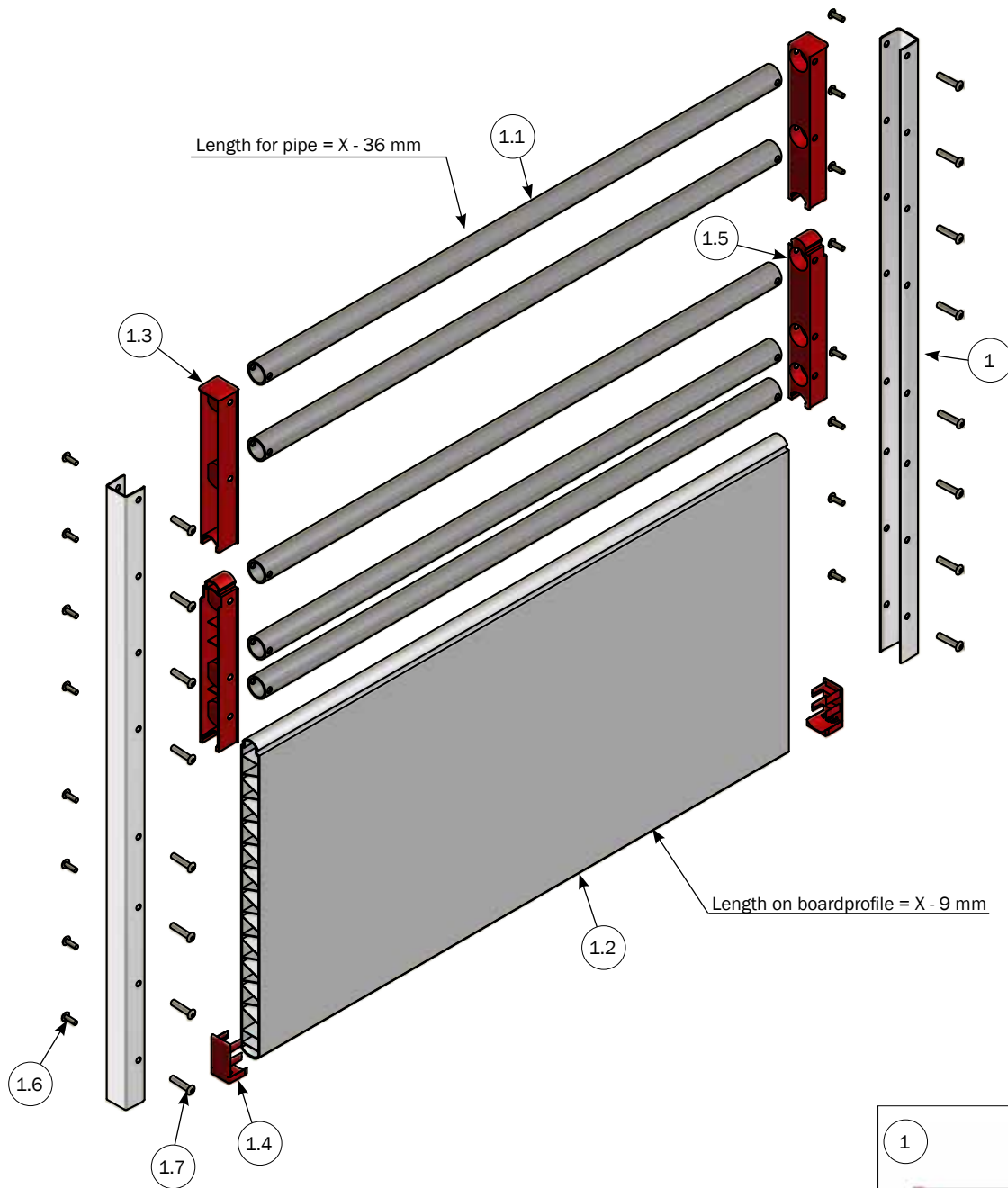


PARTS LIST

| NO. | PCS. | ITEM NO. | DESCRIPTION |
|-----|------|----------|---|
| 1 | 1 | 36400U | KIT FOR SIDE H100 BOARDPROFILE/2 BARS UPROFILE/UPROFILE |
| 1.1 | LBM | 112406 | 33.7 X 2.6 PIPE GALV. PRICE PER METER, LENGTH 6 METER |
| 1.2 | LBM | 30105 | BOARDPROFILE 35X750 MM SPEC. LENGTH PRICE PER METER |
| 1.3 | 2 | 38731 | CLEAN-O-FLEX® U-PROFILE H100 |
| 1.4 | 2 | 30006 | PLUG PANEL TOP 2 TOP PIPES |
| 1.5 | 2 | 30013 | PLUG PANEL BOTTOM 50 CM/75 CM PANEL |
| 1.6 | 16 | 39106020 | CONNECTION SCREW M6X20 STAINLESS TORX 30 |
| 1.7 | 16 | 39206037 | SPLICING SLEEVE M6X37 STAINLESS TORX 30 |

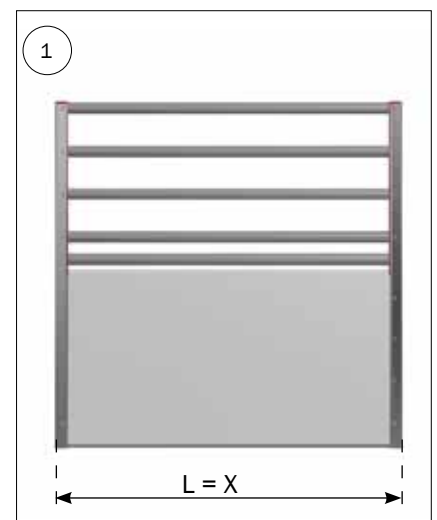


UNASSEMBLED PARTITION FOR CLEAN-O-FLEX 1000 5 BARS/BOARDPROFILE

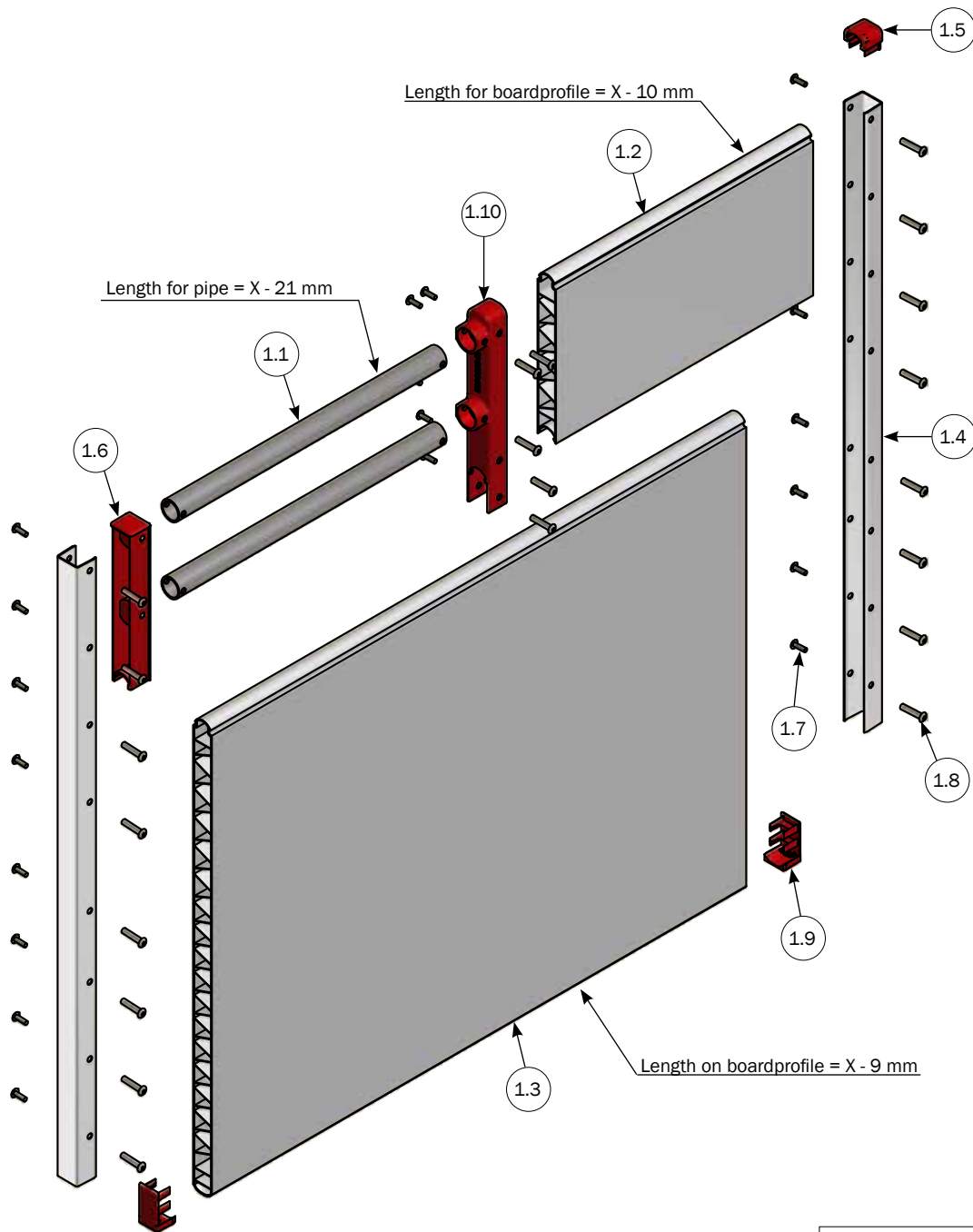


PARTS LIST

| NO. | PCS. | ITEM NO. | DESCRIPTION |
|-----|------|----------|--|
| 1 | 1 | 36407U | KIT FOR SIDE H100 BOARDPROFILE/5 BARSUPROFILE/UPROFILE |
| 1.1 | LBM | 112406 | 33.7 X 2.6 PIPE GALV. PRICE PER METER, LENGTH 6 METER |
| 1.2 | LBM | 30102 | BOARDPROFILE 35X500 MM SPEC. LENGTH PRICE PER METER |
| 1.3 | 2 | 30006 | PLUG PANEL TOP 2 TOP PIPES |
| 1.4 | 2 | 30013 | PLUG PANEL BOTTOM 50 CM/75 CM PANEL |
| 1.5 | 2 | 30016 | PLUG 3 TOP PIPES |
| 1.6 | 16 | 39106020 | CONNECTION SCREW M6X20 STAINLESS TORX 30 |
| 1.7 | 16 | 39206037 | SPLICING SLEEVE M6X37 STAINLESS TORX 30 |

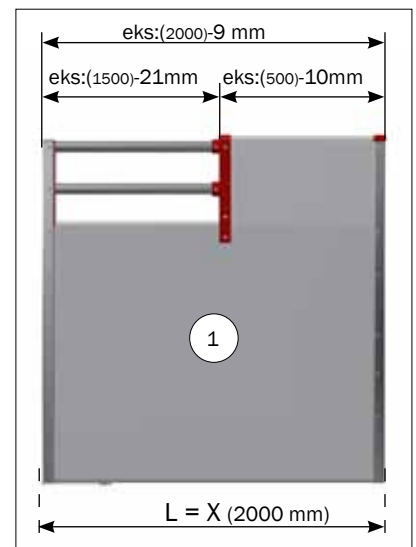


UNASSEMBLED FOR CLEAN-O-FLEX 1000 COMBI 2 BARS/BOARDPROFILE

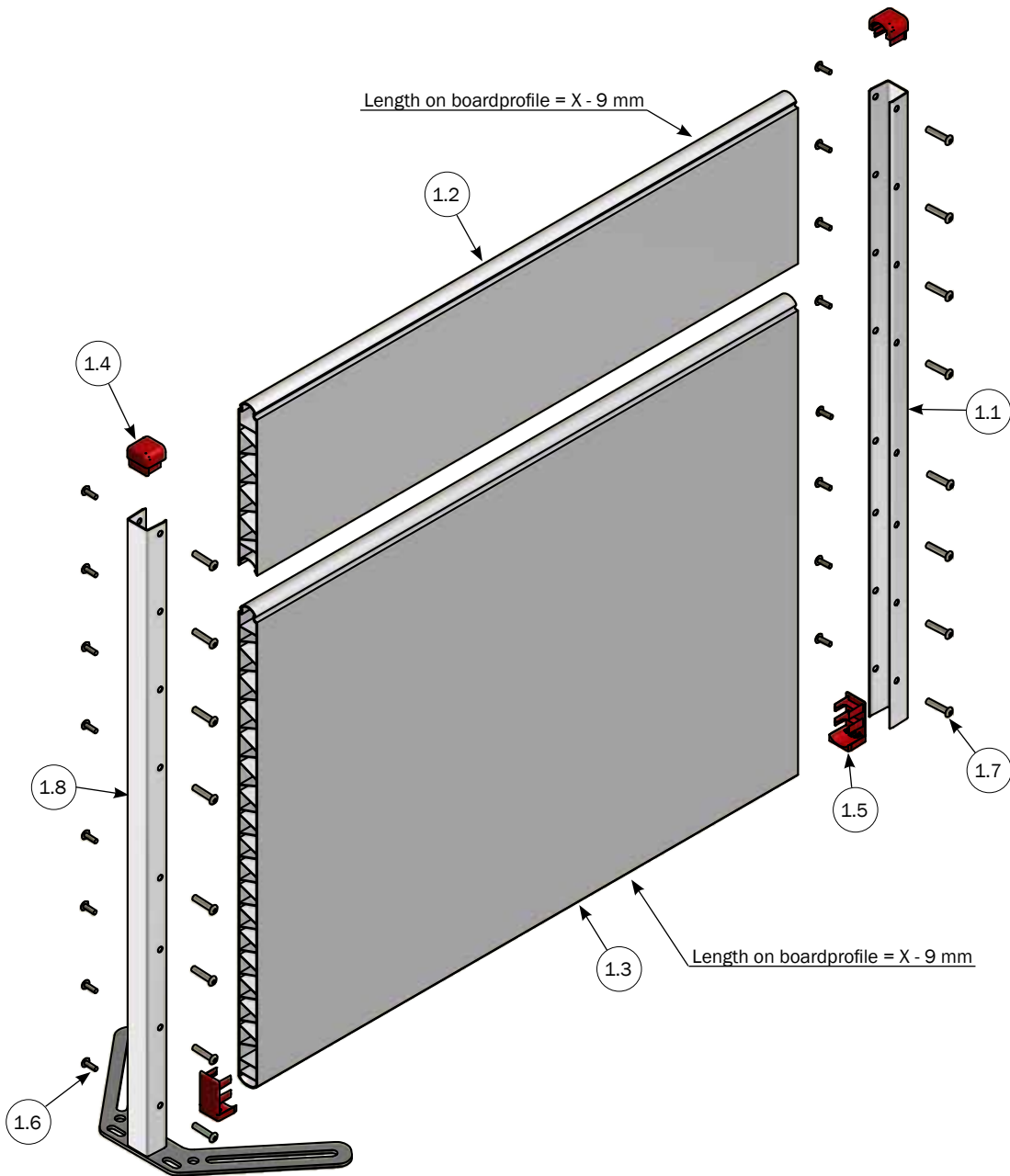


PARTS LIST

| No. | PCS. | ITEM NO. | DESCRIPTION |
|------|------|----------|---|
| 1 | 1 | 36460U | KIT FOR SIDE H100 COMBI BOARDPROFILE/2 BARS UPROFILE/UPROFILE |
| 1.1 | LBM | 112406 | 33.7 X 2.6 PIPE GALV. PRICE PER METER, LENGTH 6 METER |
| 1.2 | LBM | 30099 | BOARDPROFILE 35X250 MM SPEC. LENGTH PRICE PER METER |
| 1.3 | LBM | 30105 | BOARDPROFILE 35X750 MM SPEC. LENGTH PRICE PER METER |
| 1.4 | 2 | 38731 | CLEAN-O-FLEX® U-PROFILE H100 |
| 1.5 | 1 | 30001 | PLUG PANEL TOP |
| 1.6 | 1 | 30006 | PLUG PANEL TOP 2 TOP PIPES |
| 1.7 | 21 | 39106020 | CONNECTION SCREW M6X20 STAINLESS TORX 30 |
| 1.8 | 21 | 39206037 | SPLICING SLEEVE M6X37 STAINLESS TORX 30 |
| 1.9 | 2 | 30013 | PLUG PANEL BOTTOM 50 CM/75 CM PANEL |
| 1.10 | 1 | 8500402 | PLUG PANEL 2 TOPPIPES COMBI |



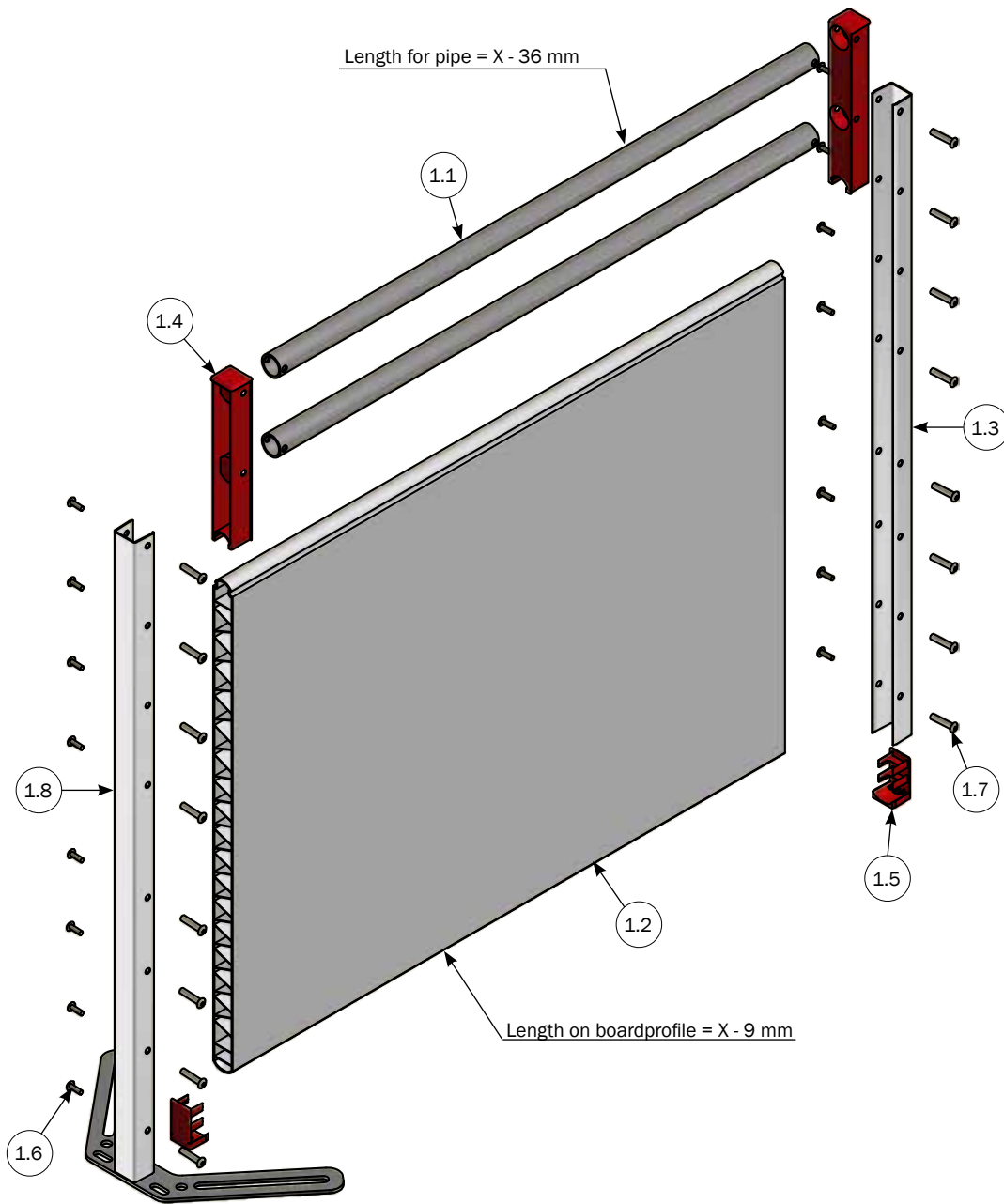
UNASSEMBLED PARTITION FOR CLEAN-O-FLEX 1000 BOARDPROFILE



PARTS LIST

| NO. | PCS. | ITEM NO. | DESCRIPTION |
|-----|------|----------|---|
| 1 | 1 | 4210502U | KIT FOR SIDE H100 BOARDPROFILE POST/UPOFILE |
| 1.1 | 1 | 38731 | CLEAN-O-FLEX® U-PROFILE H100 |
| 1.2 | LBM | 30099 | BOARDPROFILE 35X250 MM SPEC. LENGTH PRICE PER METER |
| 1.3 | LBM | 30105 | BOARDPROFILE 35X750 MM SPEC. LENGTH PRICE PER METER |
| 1.4 | 2 | 30001 | PLUG PANEL TOP |
| 1.5 | 2 | 30013 | PLUG PANEL BOTTOM 50 CM/75 CM PANEL |
| 1.6 | 16 | 39106020 | CONNECTION SCREW M6X20 STAINLESS TORX 30 |
| 1.7 | 16 | 39206037 | SPLICING SLEEVE M6X37 STAINLESS TORX 30 |
| 1.8 | 1 | 4250006 | POST FOR CLEAN-O-FLEX H1000 |

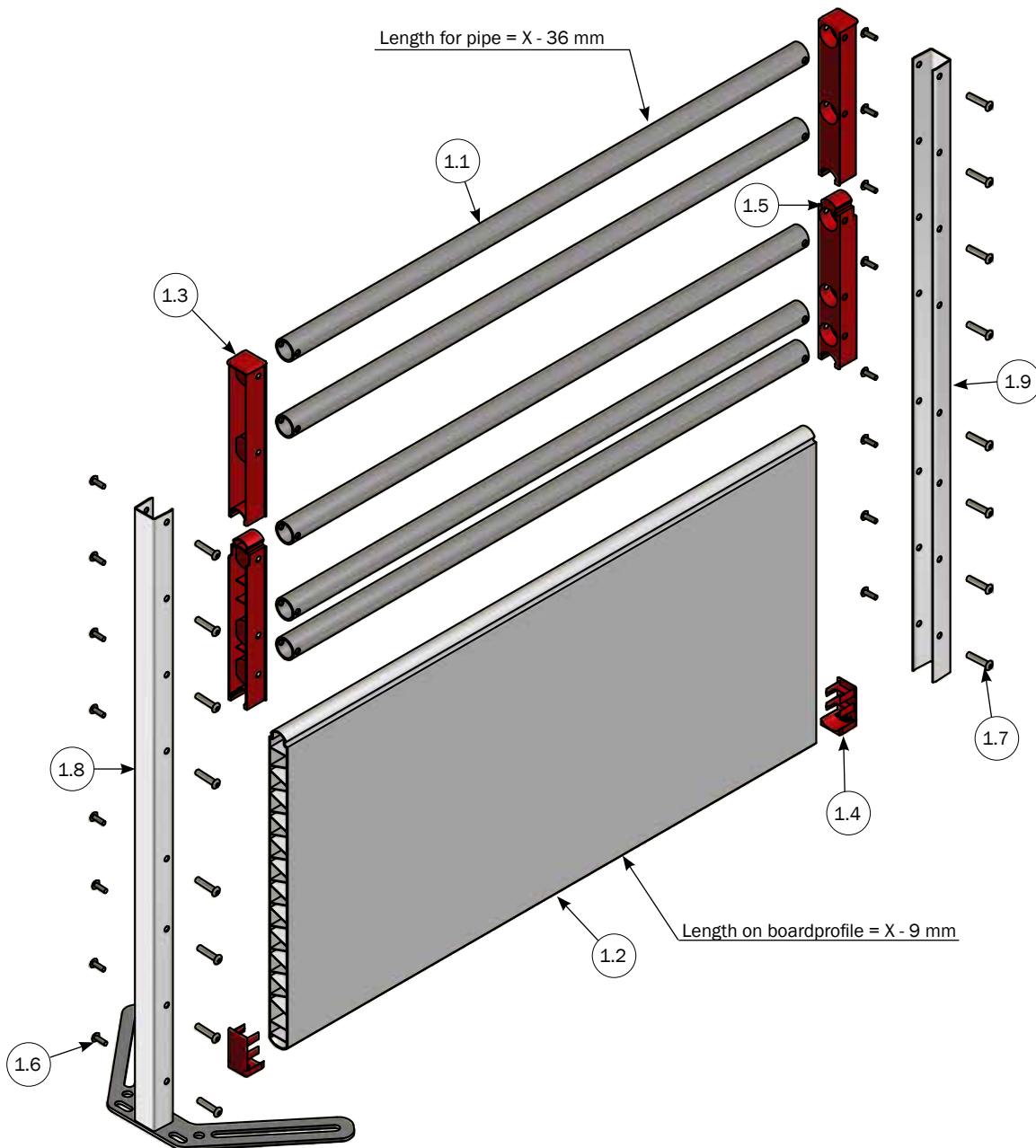
UNASSEMBLED PARTITION FOR CLEAN-O-FLEX 1000 2 BARS/BOARDPROFILE



PARTS LIST

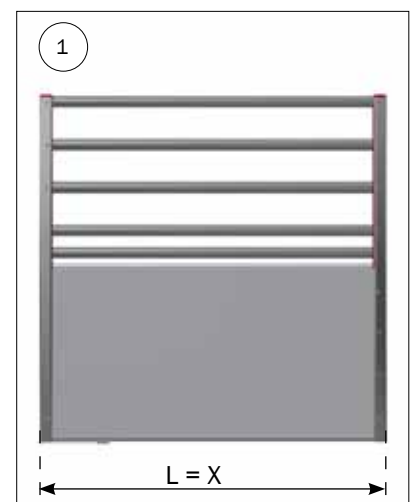
| NO. | PCS. | ITEM NO. | DESCRIPTION |
|-----|------|----------|---|
| 1 | 1 | 4210500U | KIT FOR SIDE H100 BOARDPROFILE/2 BARSPOST/UPROFILE |
| 1.1 | LBM | 112406 | 33.7 X 2.6 PIPE GALV. PRICE PER METER, LENGTH 6 METER |
| 1.2 | LBM | 30105 | BOARDPROFILE 35X750 MM SPEC. LENGTH PRICE PER METER |
| 1.3 | 1 | 38731 | CLEAN-O-FLEX® U-PROFILE H100 |
| 1.4 | 2 | 30006 | PLUG PANEL TOP 2 TOP PIPES |
| 1.5 | 2 | 30013 | PLUG PANEL BOTTOM 50 CM/75 CM PANEL |
| 1.6 | 16 | 39106020 | CONNECTION SCREW M6X20 STAINLESS TORX 30 |
| 1.7 | 16 | 39206037 | SPLICING SLEEVE M6X37 STAINLESS TORX 30 |
| 1.8 | 1 | 4250006 | POST FOR CLEAN-O-FLEX H1000 |

UNASSEMBLED PARTITION FOR CLEAN-O-FLEX 1000 BOARDPROFILE/5 BARS

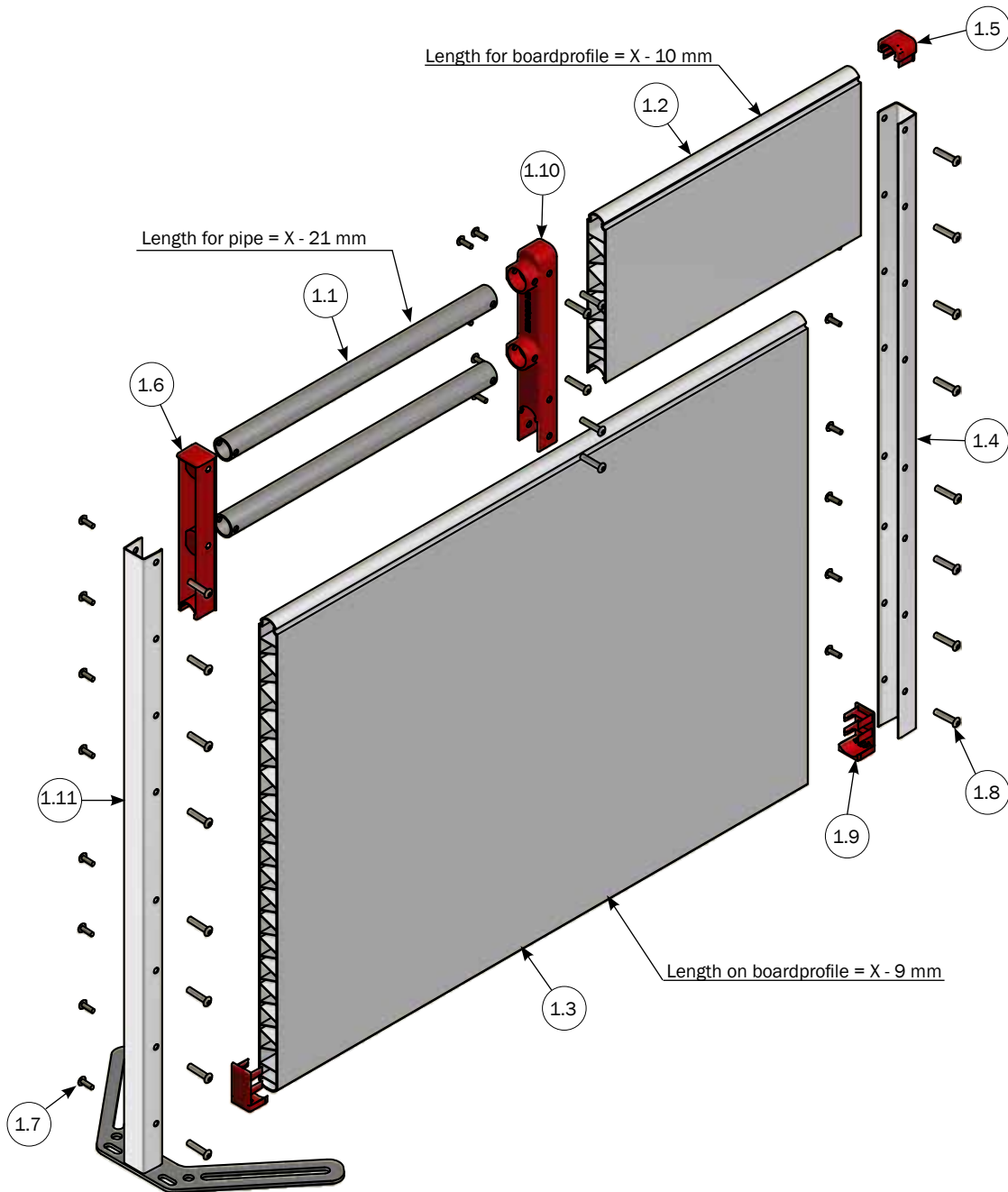


PARTS LIST

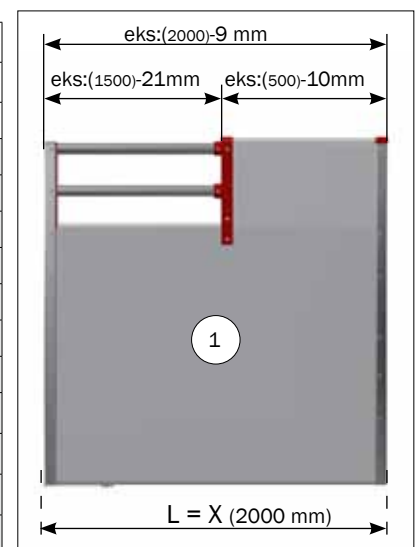
| NO. | PCS. | ITEM NO. | DESCRIPTION |
|-----|------|----------|---|
| 1 | 1 | 4210501U | KIT FOR SIDE H100 BOARDPROFILE/5 BARSPOST/UPROFILE |
| 1.1 | LBM | 112406 | 33.7 X 2.6 PIPE GALV. PRICE PER METER, LENGTH 6 METER |
| 1.2 | LBM | 30102 | BOARDPROFILE 35X500 MM SPEC. LENGTH PRICE PER METER |
| 1.3 | 2 | 30006 | PLUG PANEL TOP 2 TOP PIPES |
| 1.4 | 2 | 30013 | PLUG PANEL BOTTOM 50 CM/75 CM PANEL |
| 1.5 | 2 | 30016 | PLUG 3 TOP PIPES |
| 1.6 | 16 | 39106020 | CONNECTION SCREW M6X20 STAINLESS TORX 30 |
| 1.7 | 16 | 39206037 | SPLICING SLEEVE M6X37 STAINLESS TORX 30 |
| 1.8 | 1 | 4250006 | POST FOR CLEAN-O-FLEX H1000 |
| 1.9 | 1 | 38731 | CLEAN-O-FLEX® U-PROFILE H100 |



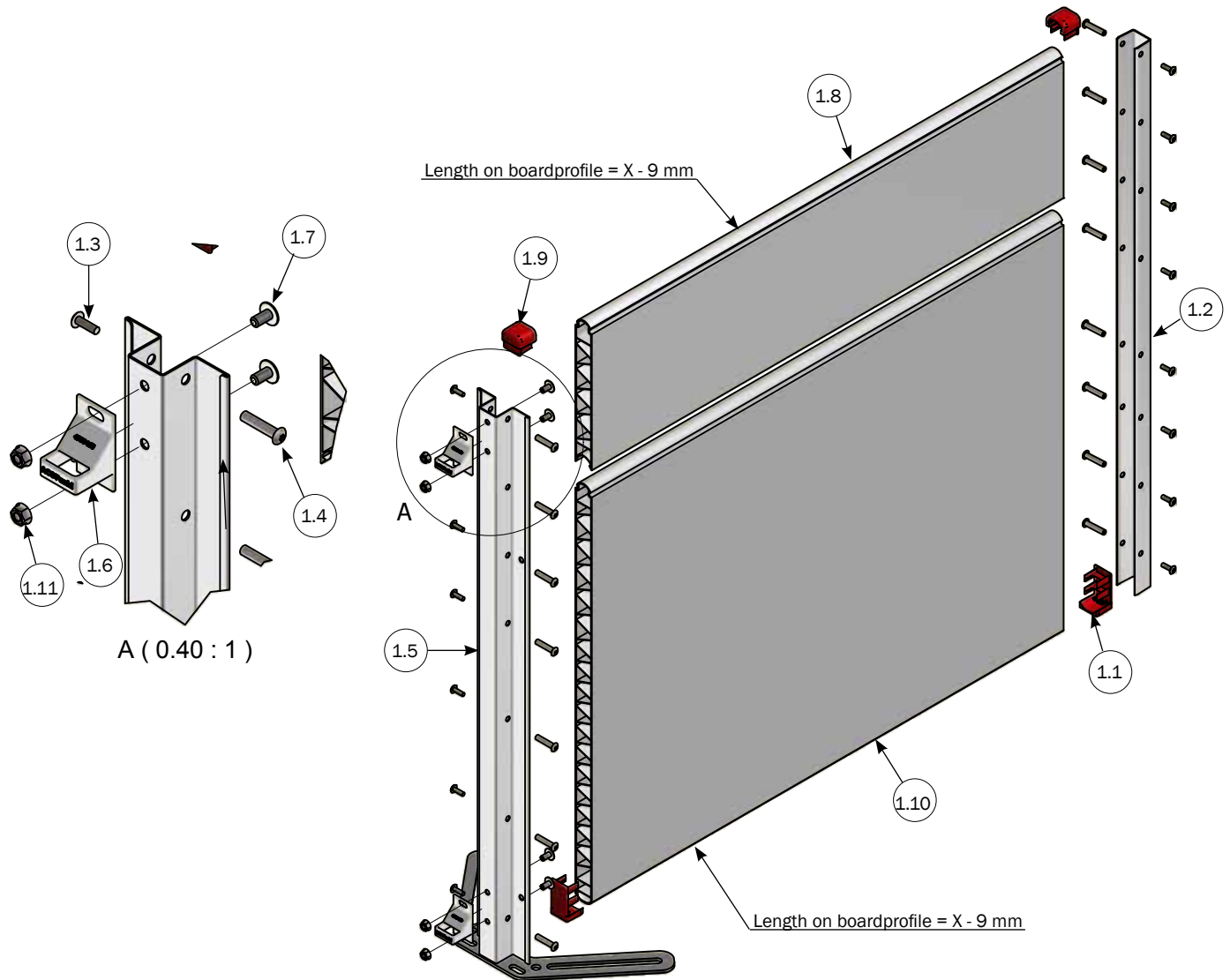
UNASSEMBLED PARTITION FOR CLEAN-O-FLEX 1000 H110 COMBI BOARDPROFILE/2 BARS



| PARTS LIST | | | |
|------------|------|----------|---|
| NO. | PCS. | ITEM NO. | DESCRIPTION |
| 1 | 1 | 4210503U | KIT FOR SIDE H100 COMBI BOARDPROFILE/2 BARS POST/UPROFILE |
| 1.1 | LBM | 112406 | 33.7 X 2.6 PIPE GALV. PRICE PER METER, LENGTH 6 METER |
| 1.2 | LBM | 30099 | BOARDPROFILE 35X250 MM SPEC. LENGTH PRICE PER METER |
| 1.3 | LBM | 30105 | BOARDPROFILE 35X750 MM SPEC. LENGTH PRICE PER METER |
| 1.4 | 1 | 38731 | CLEAN-O-FLEX® U-PROFILE H100 |
| 1.5 | 1 | 30001 | PLUG PANEL TOP |
| 1.6 | 1 | 30006 | PLUG PANEL TOP 2 TOP PIPES |
| 1.7 | 21 | 39106020 | CONNECTION SCREW M6X20 STAINLESS TORX 30 |
| 1.8 | 21 | 39206037 | SPLICING SLEEVE M6X37 STAINLESS TORX 30 |
| 1.9 | 2 | 30013 | PLUG PANEL BOTTOM 50 CM/75 CM PANEL |
| 1.10 | 1 | 8500402 | PLUG PANEL 2 TOPPIPES COMBI |
| 1.11 | 1 | 4250006 | POST FOR CLEAN-O-FLEX H1000 |

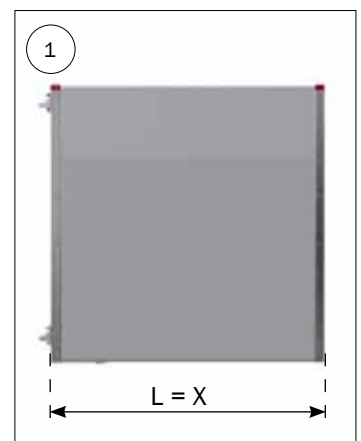


UNASSEMBLED SIDE H100 BOARDPROFILE OMEGA POST/UPROFILE FOR GATE FULL PEN

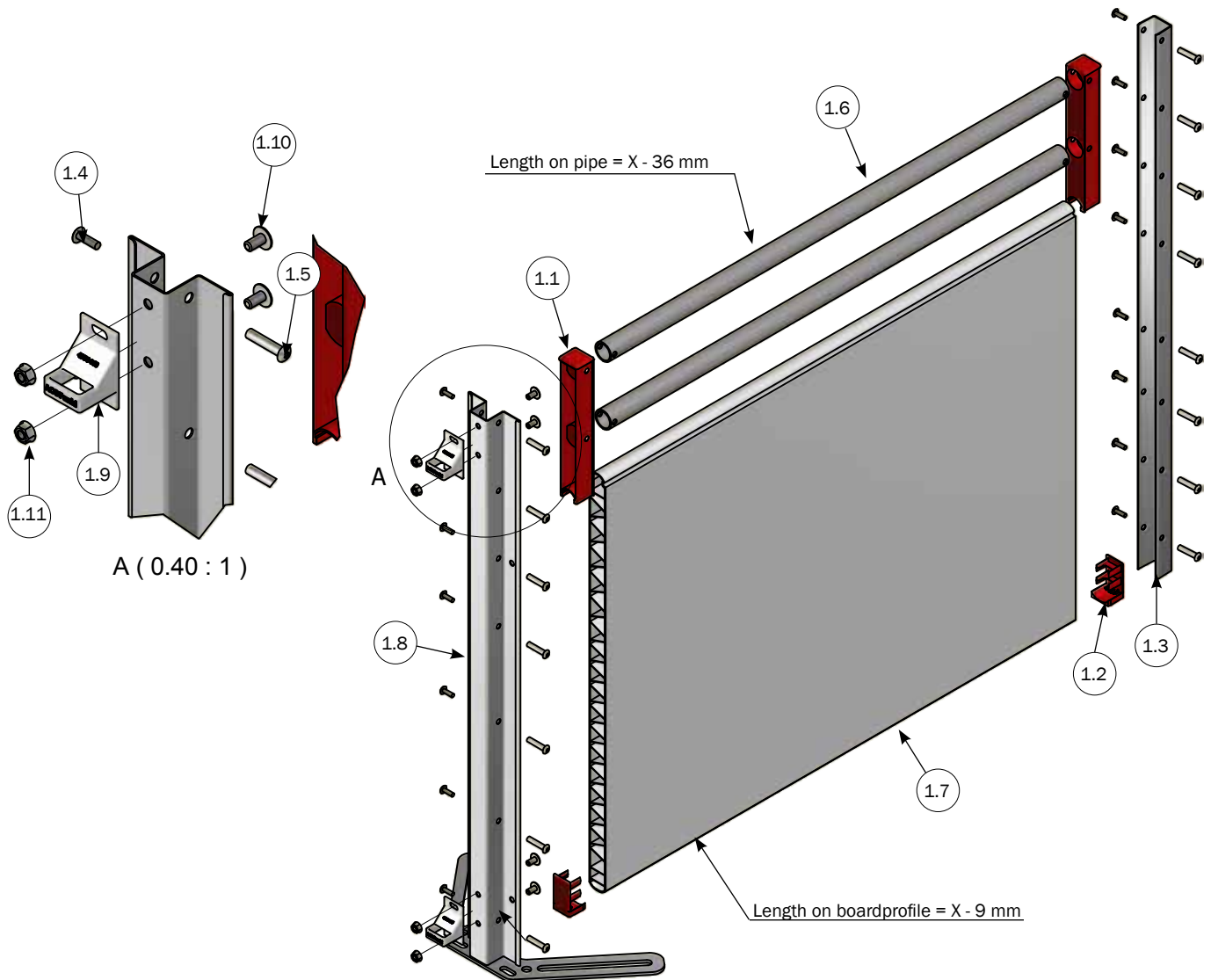


PARTS LIST

| NO. | PCS. | ITEM NO. | DESCRIPTION |
|------|------|----------|--|
| 1 | 1 | 4210528U | UNASSEMBLED SIDE H100 BOARDPROFILE OMEGA POST/UPROFILE FOR GATE FULL PEN |
| 1.1 | 2 | 30013 | PLUG PANEL BOTTOM 50 CM/75 CM PANEL |
| 1.2 | 1 | 38731 | CLEAN-O-FLEX® U-PROFIL H100 |
| 1.3 | 15 | 39106020 | CONNECTION SCREW M6X20 STAINLESS TORX 30 |
| 1.4 | 15 | 39206037 | SPLICING SLEEVE M6X37 STAINLESS TORX 30 |
| 1.5 | 1 | 4250014 | HAT POST H100 |
| 1.6 | 2 | 4950463 | HINGER FOR Y-OR U-PROFIL STAINLESS STEEL |
| 1.7 | 4 | 67323 | 8 X 16 SCREW SS FRH |
| 1.8 | LBM | 30099 | BOARDPROFILE 35X250 MM SPEC. LENGTH PRICE PER METER |
| 1.9 | 2 | 30001 | PLUG PANEL TOP |
| 1.10 | LBM | 30105 | BOARDPROFILE 35X750 MM SPEC. LENGTH PRICE PER METER |
| 1.11 | 4 | 68552 | M8 FLANGE NUT DIN 6923 A2 |

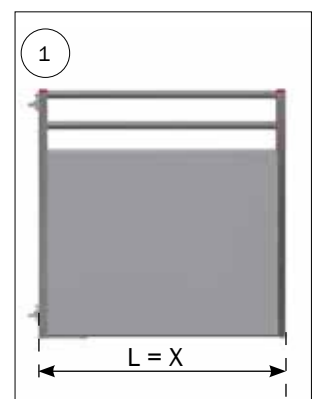


UNASSEMBLED SIDE H100 BOARDPROFILE/2 BARSOMEGA POST/UPROFILE FOR GATE FULL PEN

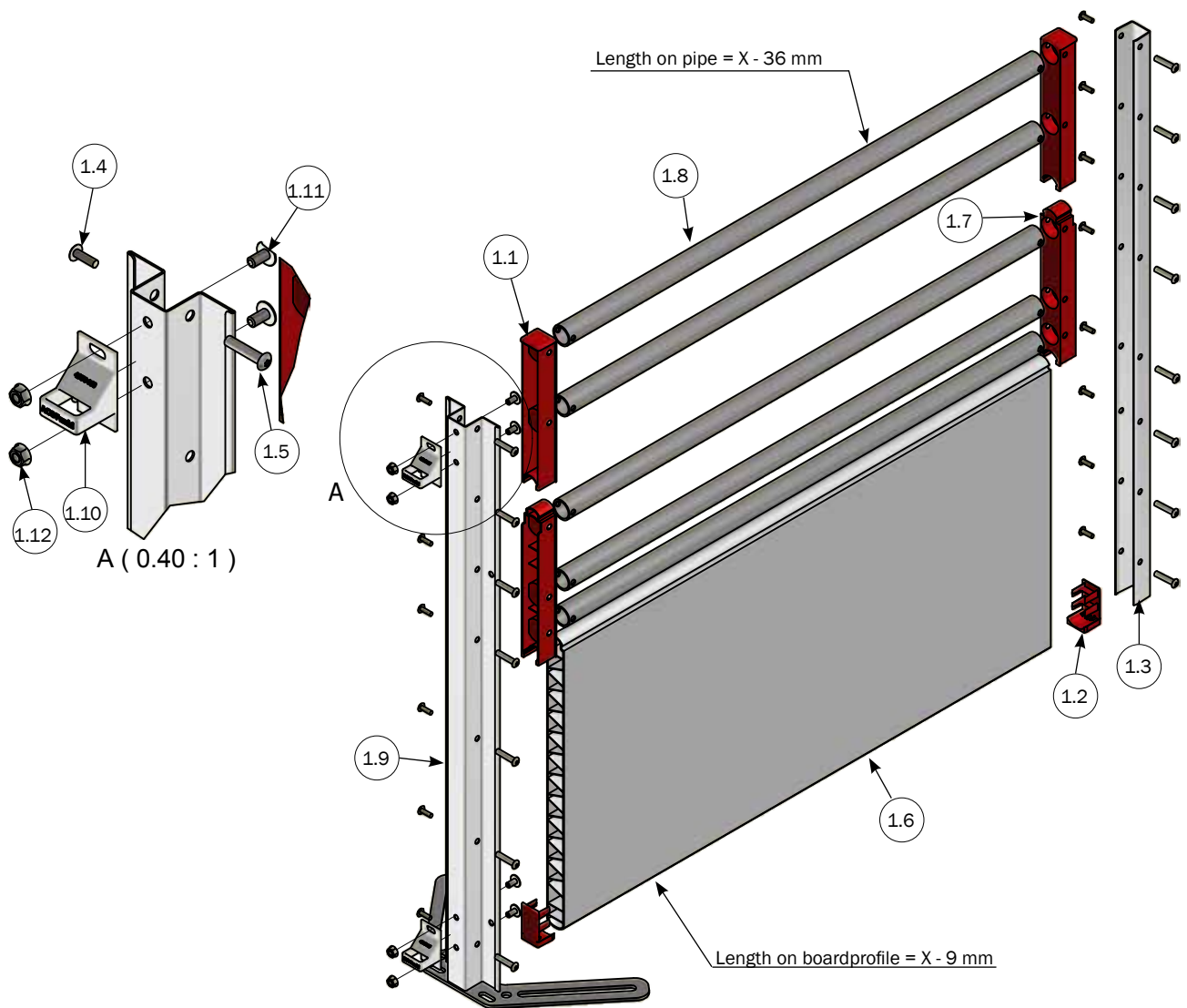


PARTS LIST

| NO. | PCS. | ITEM NO. | DESCRIPTION |
|------|------|----------|--|
| 1 | 1 | 4210526U | UNASSEMBLED SIDE H100 BOARDPROFILE/2 BARSOMEGA POST/UPROFILE FOR GATE FULL PEN |
| 1.1 | 2 | 30006 | PLASTPROP TOP TOPRØR/PLANKE |
| 1.2 | 2 | 30013 | PLASTPROP BUND TIL 50 CM/75 CM PLANKE |
| 1.3 | 1 | 38731 | CLEAN-O-FLEX® U-PROFIL H100 |
| 1.4 | 15 | 39106020 | SAMLESKRUE M6X20 RUSTFRI TORX30 |
| 1.5 | 15 | 39206037 | SAMLEMUFFE M6X37 RUSTFRI TORX30 |
| 1.6 | LBM | 112406 | 33,7 X 2,60 RØR GALV. PRIS PR METER, LÆNGDE 6 METER |
| 1.7 | LBM | 30105 | PLASTPLANKE 35X750 MM LBM PRIS PR. METER |
| 1.8 | 1 | 4250014 | HAT STOLPE H100 |
| 1.9 | 2 | 4950463 | HÆNGER TIL Y- ELLER U-PROFIL RUSTFRI |
| 1.10 | 4 | 67323 | 8 X 16 MASKINSKRUE, M/KÆRV |
| 1.11 | 4 | 68552 | M8 FLANGEMØTRIK DIN 6923 A2 |

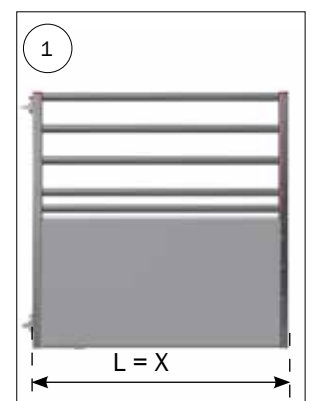


UNASSEMBLED SIDE H100 BOARDPROFILE/5 BARS OMEGA POST/UPROFILE FOR GATE FULL PEN

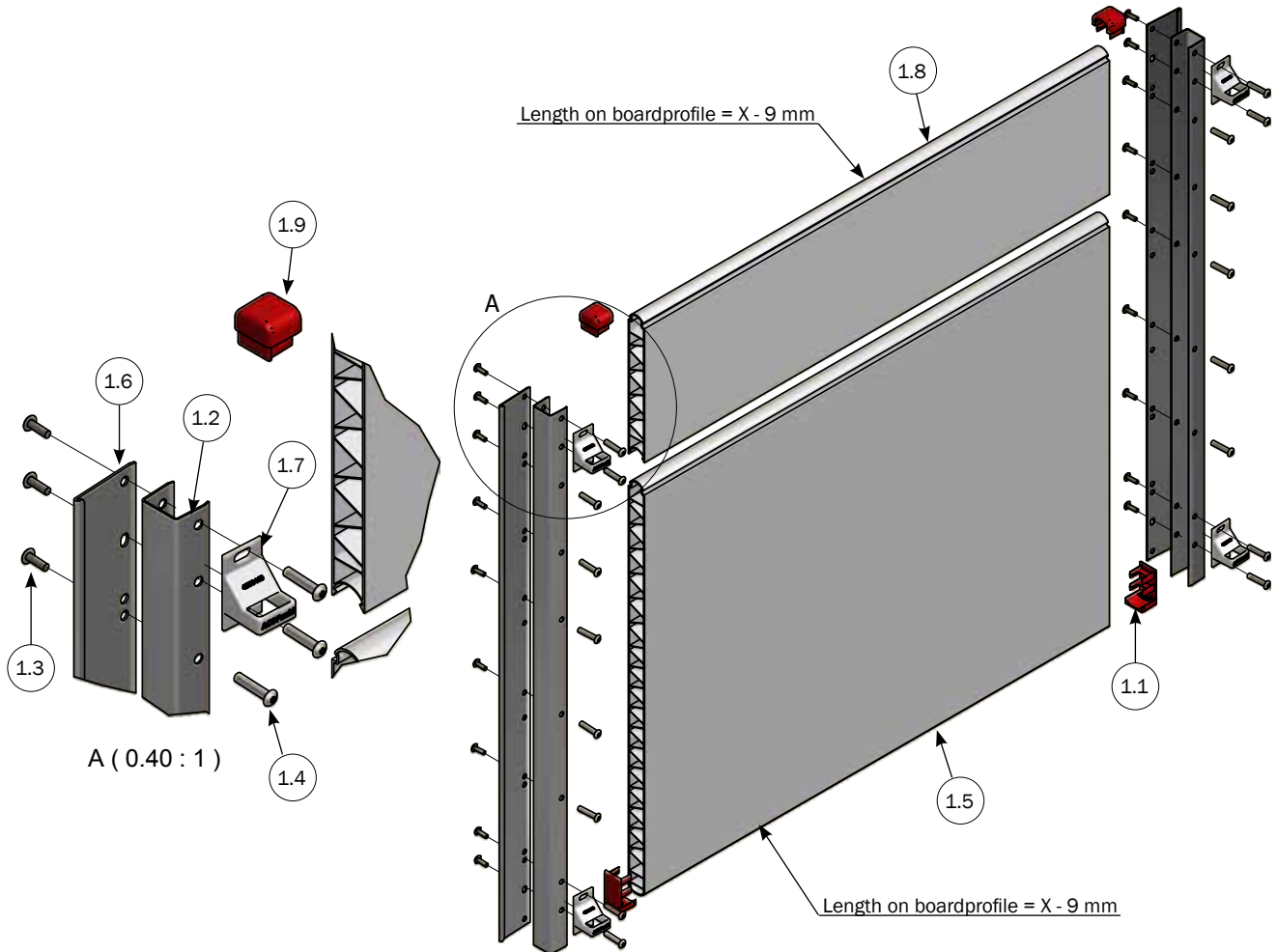


PARTS LIST

| NO. | PCS. | ITEM NO. | DESCRIPTION |
|------|------|----------|---|
| 1 | 1 | 4210527U | UNASSEMBLED SIDE H100 BOARDPROFILE/5 BARS OMEGA POST/UPROFILE FOR GATE FULL PEN |
| 1.1 | 2 | 30006 | PLUG PANEL TOP 2 TOP PIPES |
| 1.2 | 2 | 30013 | PLUG PANEL BOTTOM 50 CM/75 CM PANEL |
| 1.3 | 1 | 38731 | CLEAN-O-FLEX® U-PROFILE H100 |
| 1.4 | 15 | 39106020 | CONNECTION SCREW M6X20 STAINLESS TORX 30 |
| 1.5 | 15 | 39206037 | SPLICING SLEEVE M6X37 STAINLESS TORX 30 |
| 1.6 | LBM | 30102 | BOARDPROFILE 35X500 MM SPEC. LENGTH PRICE PER METER |
| 1.7 | 2 | 30016 | PLUG 3 TOP PIPES |
| 1.8 | LBM | 112406 | 33.7 X 2.6 PIPE GALV. PRICE PER METER, LENGTH 6 METER |
| 1.9 | 1 | 4250014 | HAT POST H100 |
| 1.10 | 2 | 4950463 | HINGER FOR Y-OR U-PROFILE STAINLESS STEEL |
| 1.11 | 4 | 67323 | 8 X 16 SCREW SS FRH |
| 1.12 | 4 | 68552 | M8 FLANGE NUT DIN 6923 A2 |

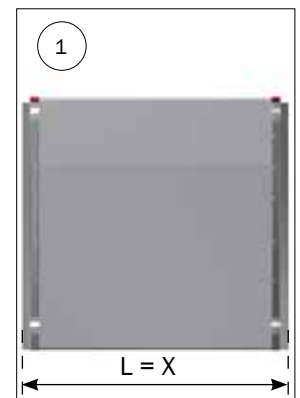


UNASSEMBLED FRONT PART H100 BOARDPROFILE FOR GATE FULL PEN

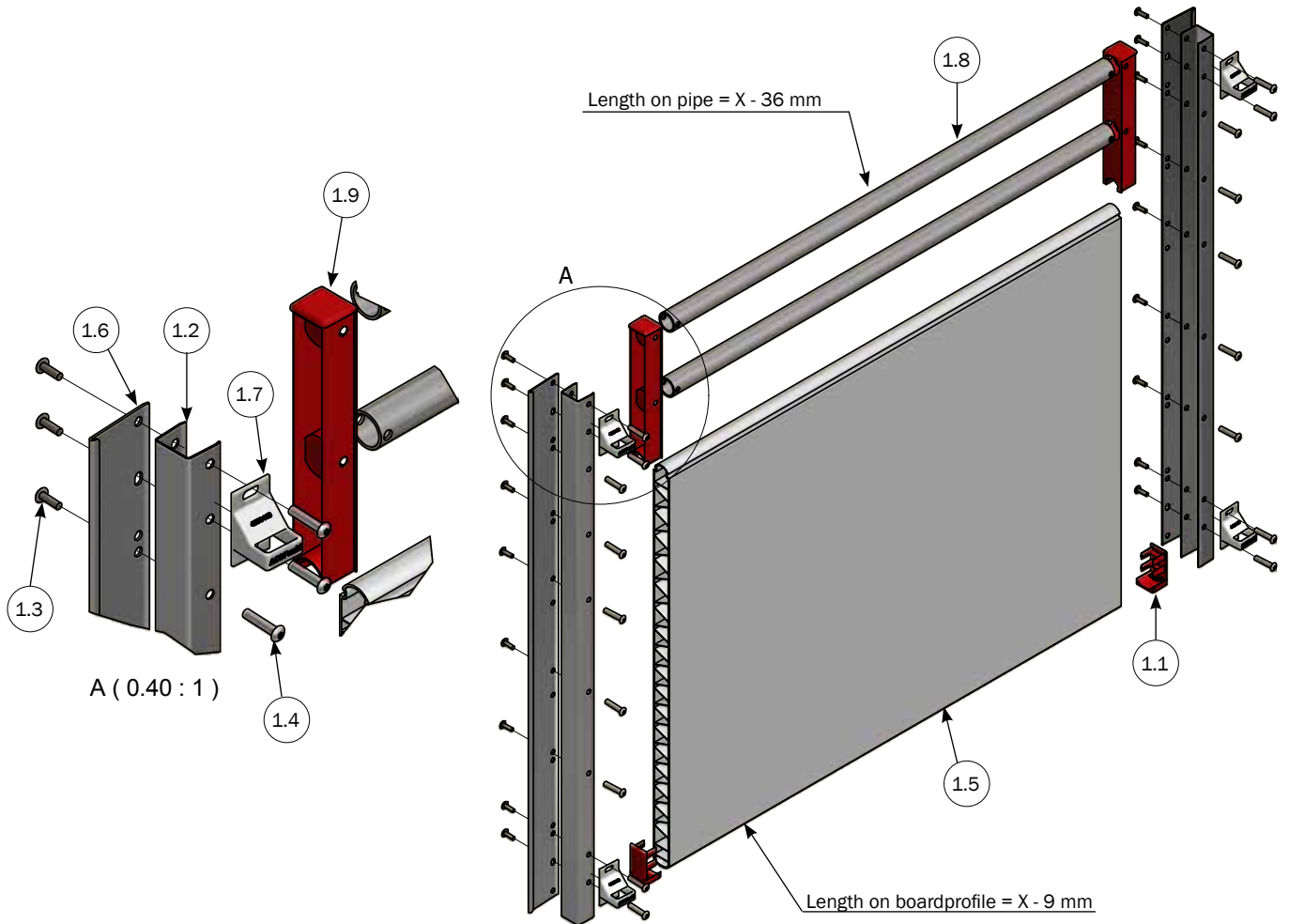


PARTS LIST

| NO. | PCS. | ITEM NO. | DESCRIPTION |
|-----|------|----------|---|
| 1 | 1 | 4210531U | FRONT PART H100 BOARDPROFILE FOR GATE FULL PEN |
| 1.1 | 2 | 30013 | PLUG PANEL BOTTOM 50 CM/75 CM PANEL |
| 1.2 | 2 | 8450607 | UPROFILE H100 FOR GATE |
| 1.3 | 18 | 39106020 | CONNECTION SCREW M6X20 STAINLESS TORX 30 |
| 1.4 | 18 | 39206037 | SPLICING SLEEVE M6X37 STAINLESS TORX 30 |
| 1.5 | LBM | 30105 | BOARDPROFILE 35X750 MM SPEC. LENGTH PRICE PER METER |
| 1.6 | 2 | 8450543 | PLATE FOR FRONTPARTITION |
| 1.7 | 4 | 4950463 | HINGER FOR Y-OR U-PROFILE STAINLESS STEEL |
| 1.8 | LBM | 30099 | BOARDPROFILE 35X250 MM SPEC. LENGTH PRICE PER METER |
| 1.9 | 2 | 30001 | PLUG PANEL TOP |

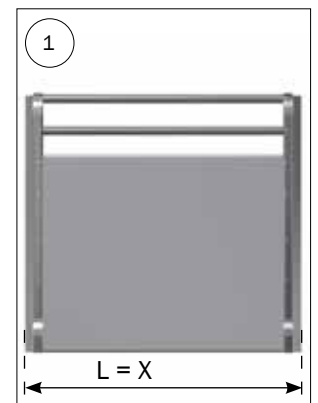


UNASSEMBLED FRONT PART H100 BOARDPROFILE/2 BARS FOR GATE FULL PEN

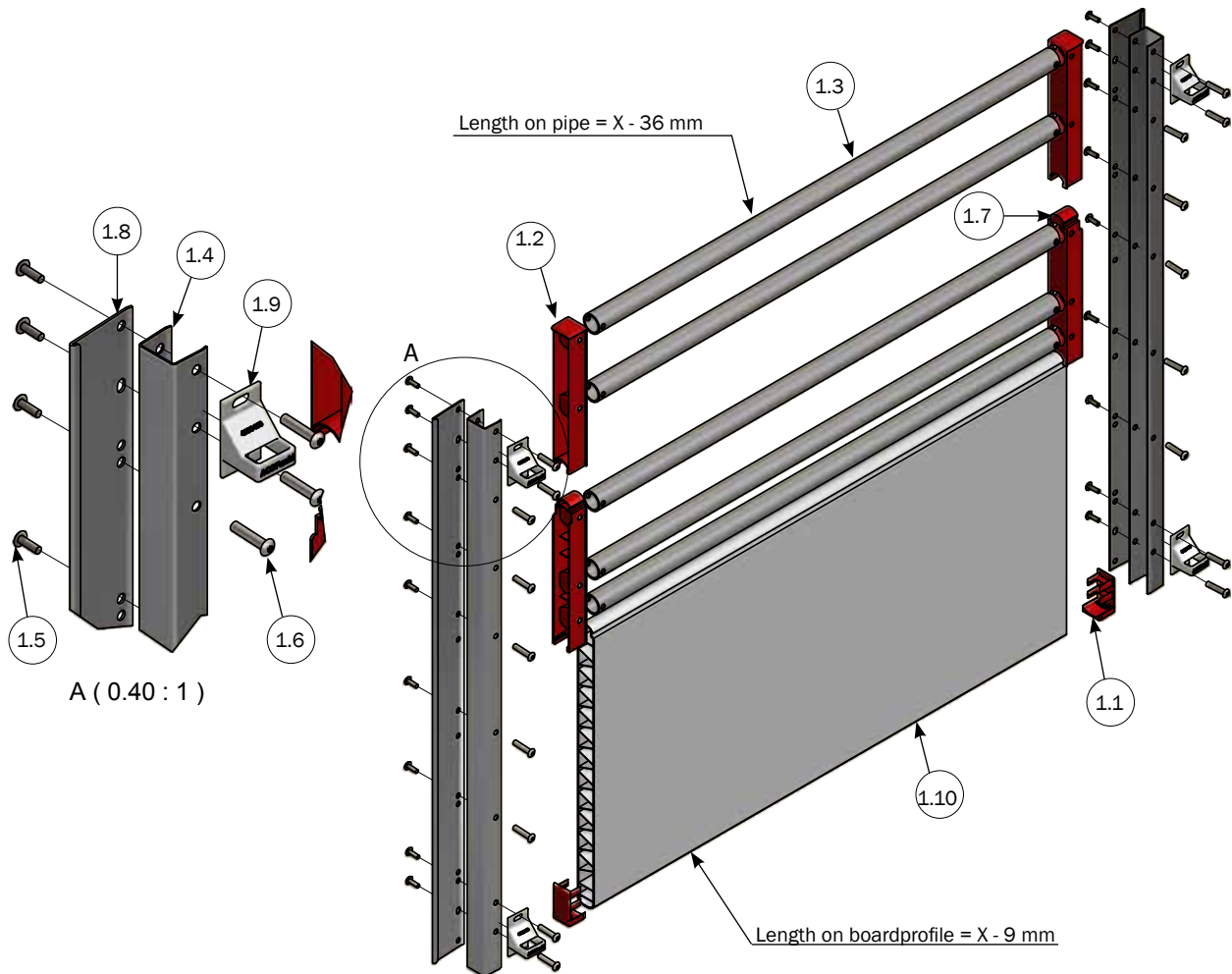


PARTS LIST

| NO. | PCS. | ITEM NO. | DESCRIPTION |
|-----|------|----------|---|
| 1 | 1 | 4210529U | UNASSEMBLED FRONT PART H100 BOARDPROFILE/2 BARS FOR GATE FULL PEN |
| 1.1 | 2 | 30013 | PLUG PANEL BOTTOM 50 CM/75 CM PANEL |
| 1.2 | 2 | 8450607 | UPROFILE H100 FOR GATE |
| 1.3 | 18 | 39106020 | CONNECTION SCREW M6X20 STAINLESS TORX 30 |
| 1.4 | 18 | 39206037 | SPLICING SLEEVE M6X37 STAINLESS TORX 30 |
| 1.5 | LBM | 30105 | BOARDPROFILE 35X750 MM SPEC. LENGTH PRICE PER METER |
| 1.6 | 2 | 8450543 | PLATE FOR FRONTPARTITION |
| 1.7 | 4 | 4950463 | HINGER FOR Y-OR U-PROFILE STAINLESS STEEL |
| 1.8 | LBM | 112406 | 33.7 X 2.6 PIPE GALV. PRICE PER METER, LENGTH 6 METER |
| 1.9 | 2 | 30006 | PLUG PANEL TOP 2 TOP PIPES |



UNASSEMBLED FRONT PART H100 BOARDPROFILE/5 BARS FOR GATE FULL PEN

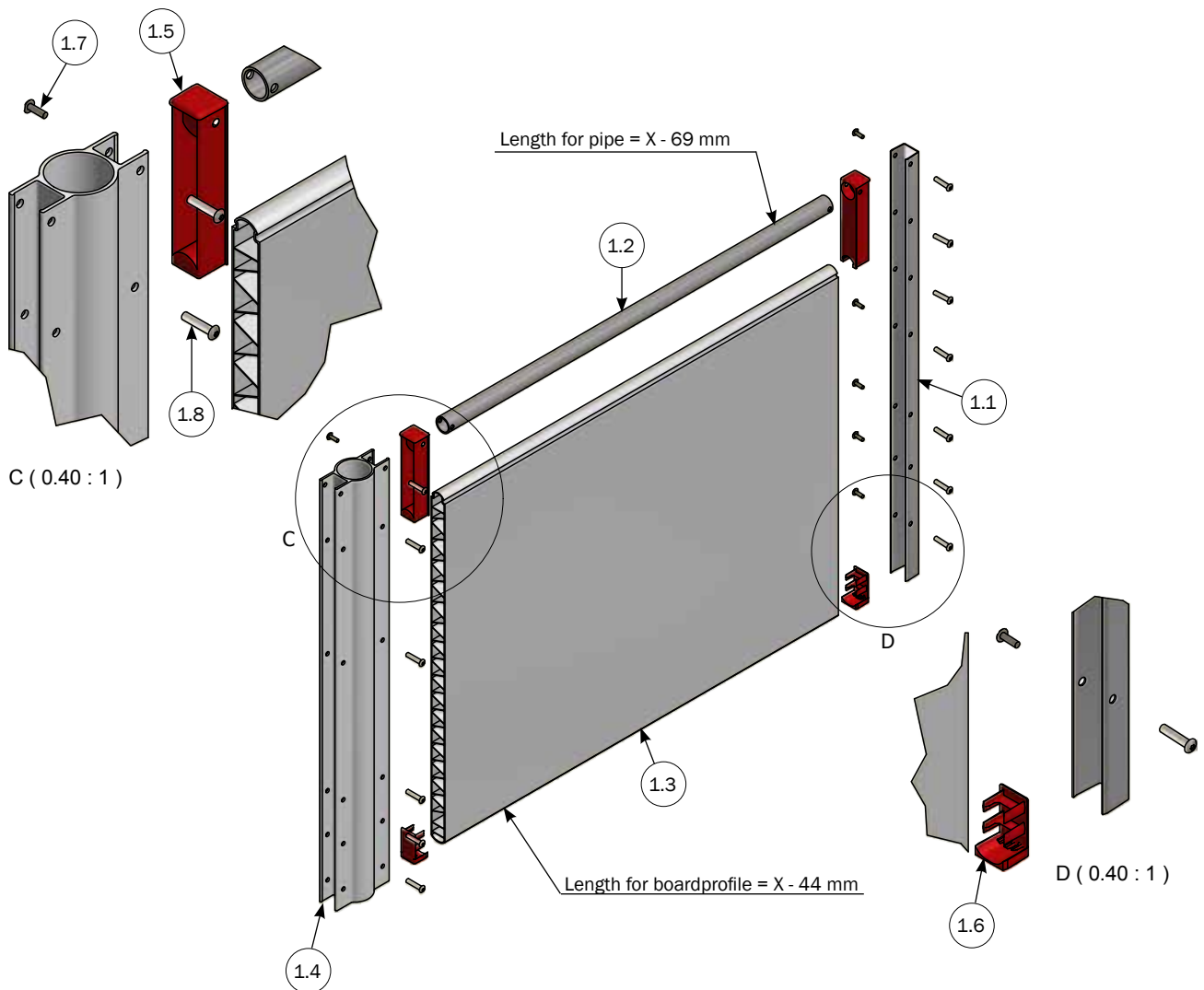


PARTS LIST

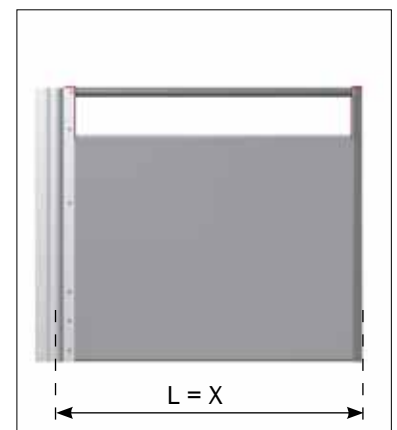
| NO. | PCS. | ITEM NO. | DESCRIPTION |
|------|------|----------|---|
| 1 | 1 | 4210530U | UNASSEMBLED FRONT PART H100 BOARDPROFILE/5 BARS FOR GATE FULL PEN |
| 1.1 | 2 | 30013 | PLUG PANEL BOTTOM 50 CM/75 CM PANEL |
| 1.2 | 16 | 30006 | PLUG PANEL TOP 2 TOP PIPES |
| 1.3 | 16 | 112406 | 33.7 X 2.6 PIPE GALV. PRICE PER METER, LENGTH 6 METER |
| 1.4 | 5 | 8450607 | UPROFILE H100 FOR GATE |
| 1.5 | 2 | 39106020 | CONNECTION SCREW M6X20 STAINLESS TORX 30 |
| 1.6 | 1 | 39206037 | SPLICING SLEEVE M6X37 STAINLESS TORX 30 |
| 1.7 | 1 | 30016 | PLUG 3 TOP PIPES |
| 1.8 | 1 | 8450543 | PLATE FOR FRONTPARTITION |
| 1.9 | 1 | 4950463 | HINGER FOR Y-OR U-PROFILE STAINLESS STEEL |
| 1.10 | 1 | 30102 | BOARDPROFILE 35X500 MM SPEC. LENGTH PRICE PER METER |



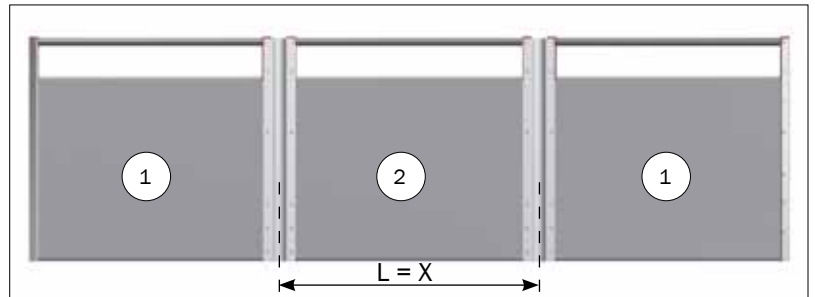
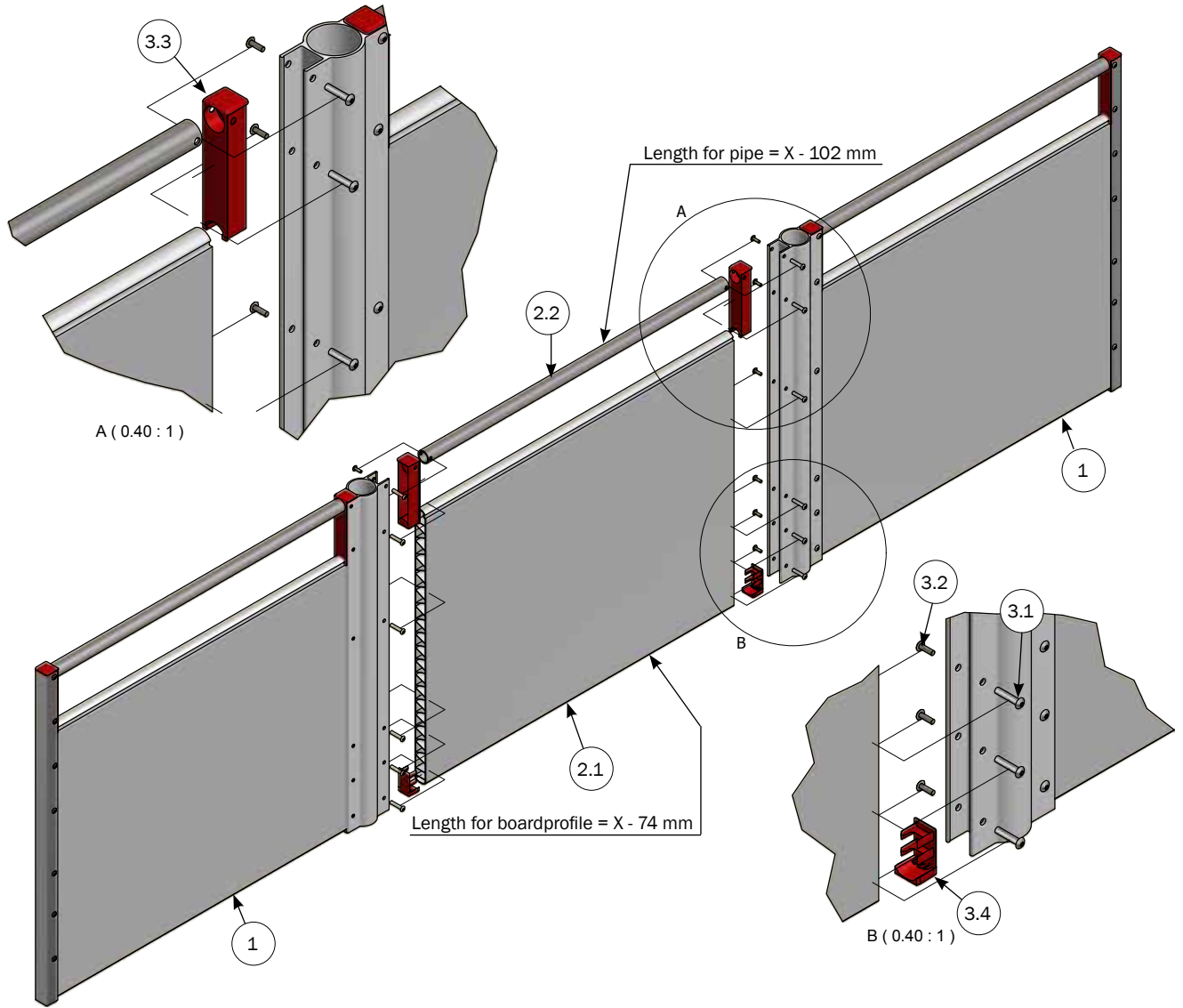
UNASSEMBLED LIQUIDFEED WALL 1+2 DOWNPIPE FOR CLEAN-O-FLEX 1000



| PARTS LIST | | | |
|------------|------|----------|---|
| NO. | PCS. | ITEM NO. | DESCRIPTION |
| 1 | 1 | 39705U | KIT FOR LIQUIDFEED WALL H:100 FOR 1+2 DOWNPIPE UPROFILE/DOWNSPIPE |
| 1.1 | 1 | 34722 | U-PROFILE H: 92,8 CM FOR LIQUIDFEED WALL |
| 1.2 | LBM | 112406 | 33.7 X 2.6 PIPE GALV. PRICE PER METER, LENGTH 6 METER |
| 1.3 | LBM | 30105 | BOARDPROFILE 35X750 MM SPEC. LENGTH PRICE PER METER |
| 1.4 | 1 | 30158 | DOWNSPIPE INN-O-WALL L=928 |
| 1.5 | 2 | 30055 | PLUG 181 MM TOP INN-O-WALL |
| 1.6 | 2 | 30013 | PLUG PANEL BOTTOM 50 CM/75 CM PANEL |
| 1.7 | 12 | 39106020 | CONNECTION SCREW M6X20 STAINLESS TORX 30 |
| 1.8 | 12 | 39206037 | SPLICING SLEEVE M6X37 STAINLESS TORX 30 |

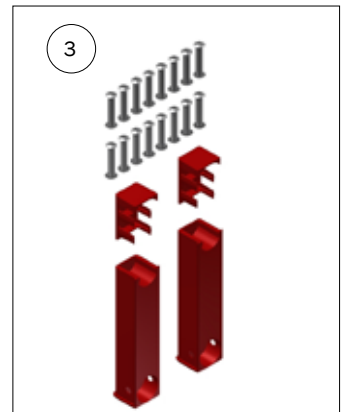


UNASSEMBLED LIQUIDFEED WALL FOR CLEAN-O-FLEX 1000

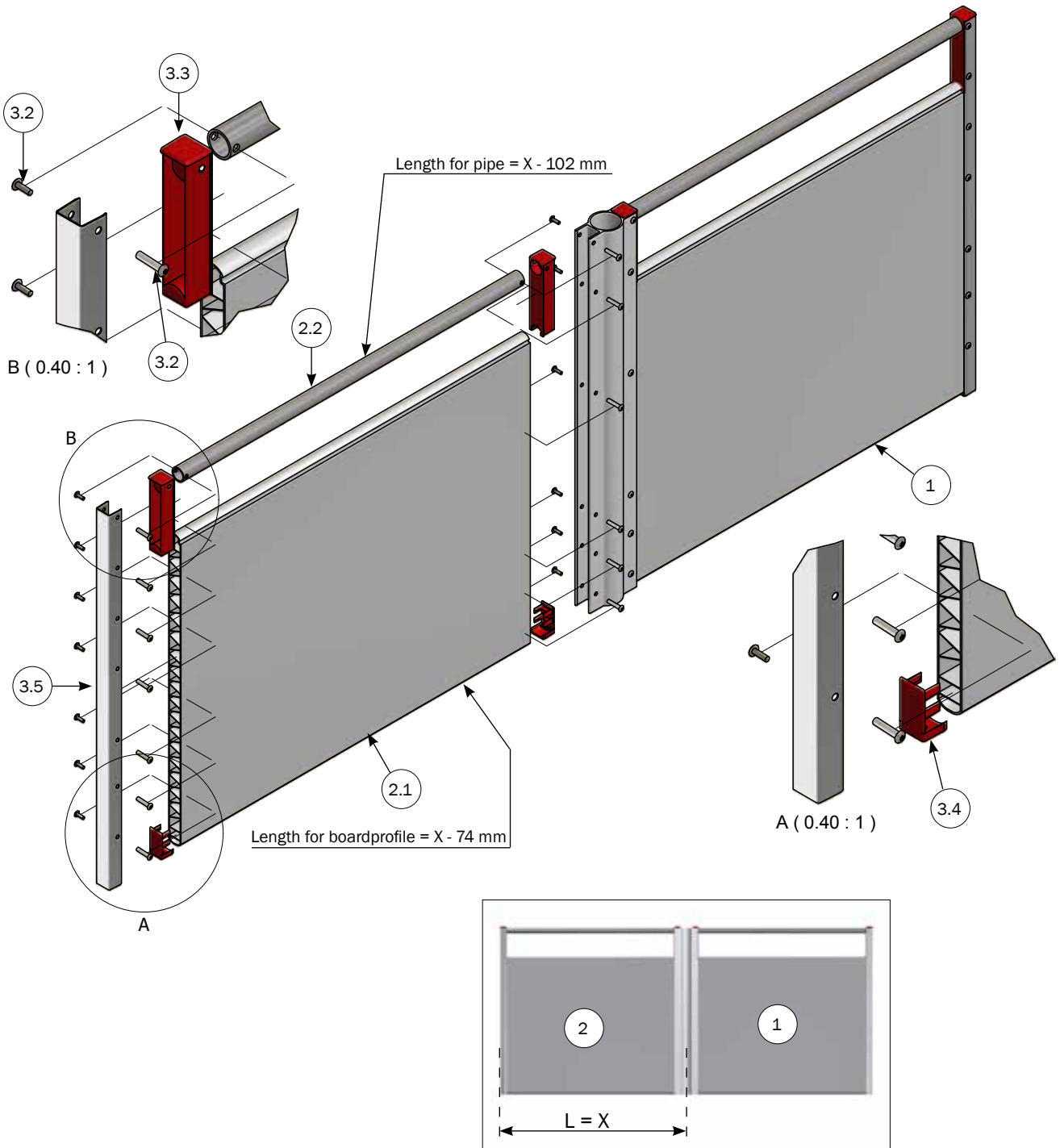


PARTS LIST

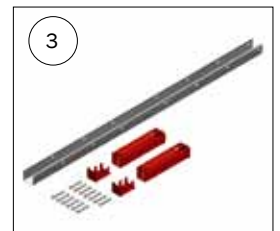
| NO. | PCS. | ITEM NO. | DESCRIPTION |
|-----|---------|----------|--|
| 1 | 2 | 39705U | UNASSEMBLED LIQUIDFEED WALL H:100 FOR 1+2DOWNPIPE UPROFILE/DOWNSPIPE |
| 2 | 1 | 39706U | UNASSEMBLED LIQUIDFEED WALL MIDDEL PIECE H100 BOARDPROFILE/BARS |
| 2.1 | LBM | 30105 | BOARDPROFILE 35X750 MM SPEC. LENGTH PRICE PER METER |
| 2.2 | LBM | 112406 | 33.7 X 2.6 PIPE GALV. PRICE PER METER, LENGTH 6 METER |
| 3 | 1 | 4200706 | SCREWS AND PLUG FOR 39706 LIQUIDFEED WALL |
| 3.1 | 16 (12) | 39206037 | SPLICING SLEEVE M6X37 STAINLESS TORX 30 |
| 3.2 | 16 (12) | 39106020 | CONNECTION SCREW M6X20 STAINLESS TORX 30 |
| 3.3 | 2 | 30055 | PLUG 181 MM TOP INN-O-WALL |
| 3.4 | 2 | 30013 | PLUG PANEL BOTTOM 50 CM/75 CM PANEL |



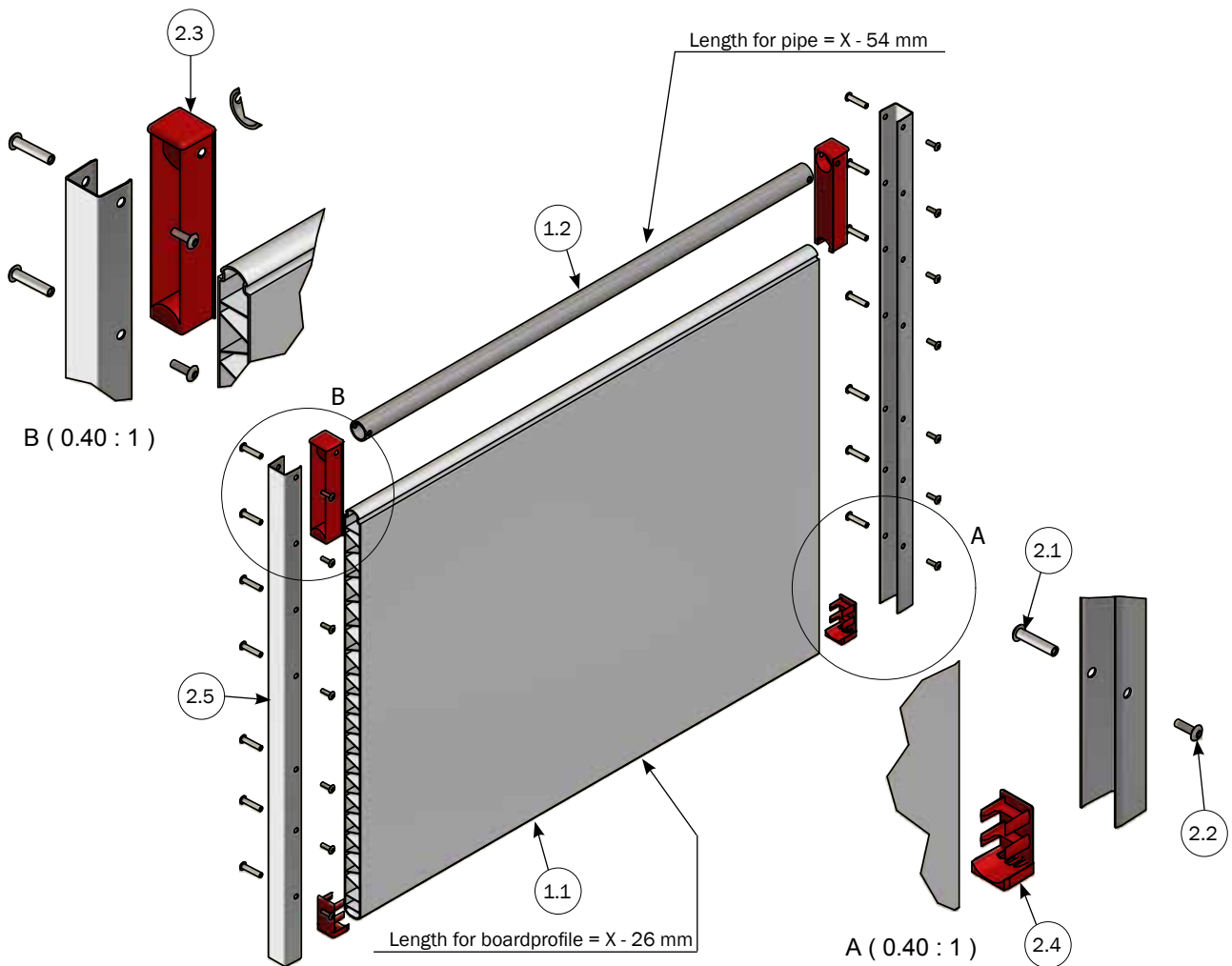
UNASSEMBLED LIQUIDFEED WALL 1 DOWNPIPE/WITHOUT DOWNPIPE CLEAN-O-FLEX 1000



| PARTS LIST | | | |
|------------|------|----------|---|
| NO. | PCS. | ITEM NO. | DESCRIPTION |
| 1 | 1 | 39705U | UNASSEMBLED LIQUIDFEED WALL H:100 FOR 1+2 DOWNPIPE UPROFILE/DOWNSPIPE |
| 2 | 1 | 39718U | KIT FOR LIQUIDFEED WALL FOR 1 DOWNPIPE H.100 BOARDPROFILE/BARS WITHOUT DOWNPIPE |
| 2.1 | LBM | 30105 | BOARDPROFILE 35X750 MM SPEC. LENGTH PRICE PER METER |
| 2.2 | LBM | 112406 | 33.7 X 2.6 PIPE GALV. PRICE PER METER, LENGTH 6 METER |
| 3 | 1 | 4200707 | SCREWS/PLUG/UPROFILE FOR 39718 LIQUIDFEED WALL |
| 3.1 | 13 | 39206037 | SPLICING SLEEVE M6X37 STAINLESS TORX 30 |
| 3.2 | 13 | 39106020 | CONNECTION SCREW M6X20 STAINLESS TORX 30 |
| 3.3 | 2 | 30055 | PLUG 181 MM TOP INN-O-WALL |
| 3.4 | 2 | 30013 | PLUG PANEL BOTTOM 50 CM/75 CM PANEL |
| 3.5 | 1 | 34722 | U-PROFILE H: 92,8 CM FOR LIQUIDFEED WALL |

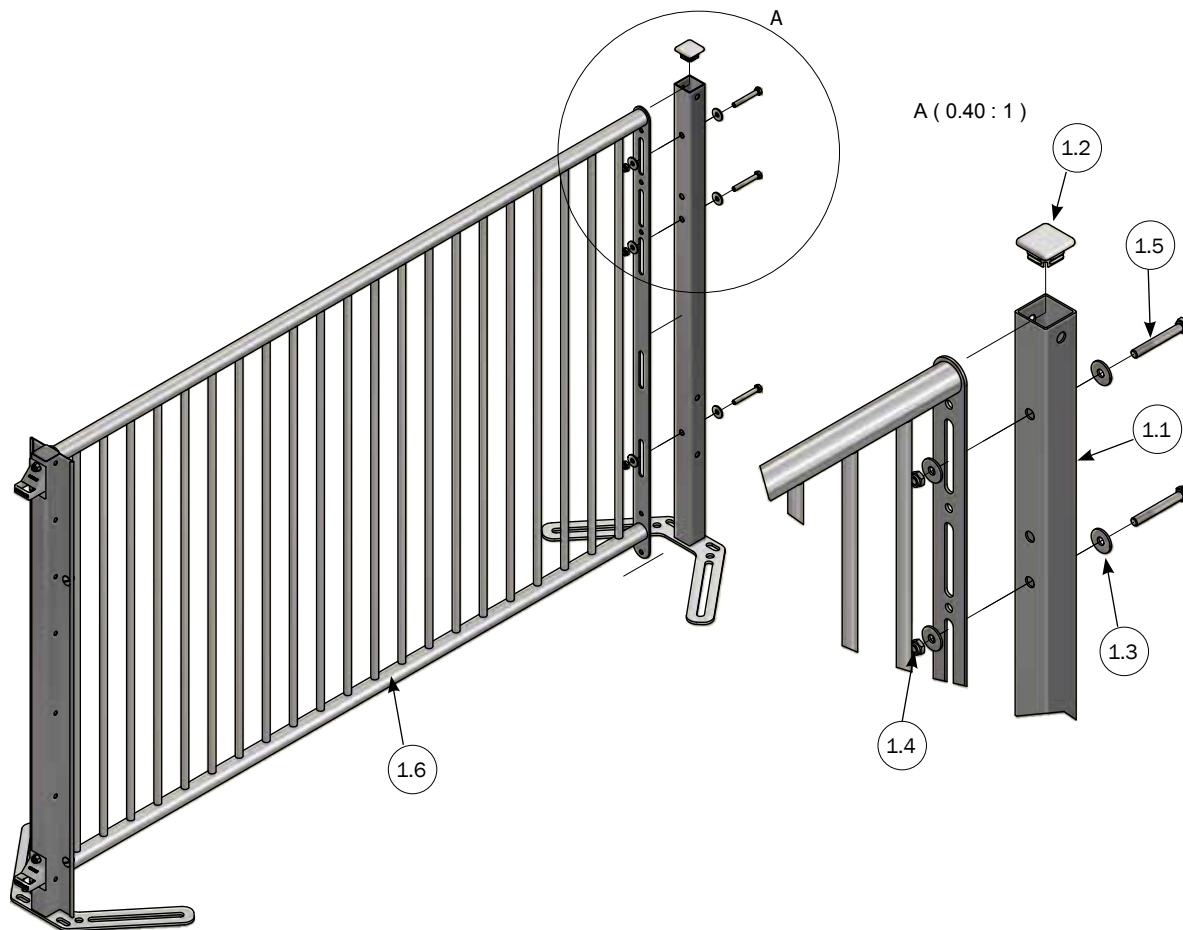


UNASSEMBLED LIQUIDFEED WALL WITHOUT DOWNPIPE FOR CLEAN-O-FLEX 1000



| PARTS LIST | | | |
|------------|------|----------|---|
| NO. | PCS. | ITEM NO. | DESCRIPTION |
| 1 | 1 | 4210701U | KIT FOR LIQUIDFEEDING WALL H100 BOARDPROFILE/BAR WITHOUT DOWNPIPE |
| 1.1 | LBM | 30105 | BOARDPROFILE 35X750 MM SPEC. LENGTH PRICE PER METER |
| 1.2 | LBM | 112406 | 33.7 X 2.6 PIPE GALV. PRICE PER METER, LENGTH 6 METER |
| 2 | 1 | 4200701 | SCREWS AND PROFILE FOR 4210701 |
| 2.1 | 14 | 39206037 | SPLICING SLEEVE M6X37 STAINLESS TORX 30 |
| 2.2 | 14 | 39106020 | CONNECTION SCREW M6X20 STAINLESS TORX 30 |
| 2.3 | 2 | 30055 | PLUG 181 MM TOP INN-O-WALL |
| 2.4 | 2 | 30013 | PLUG PANEL BOTTOM 50 CM/75 CM PANEL |
| 2.5 | 2 | 34722 | U-PROFILE H: 92,8 CM FOR LIQUIDFEED WALL |

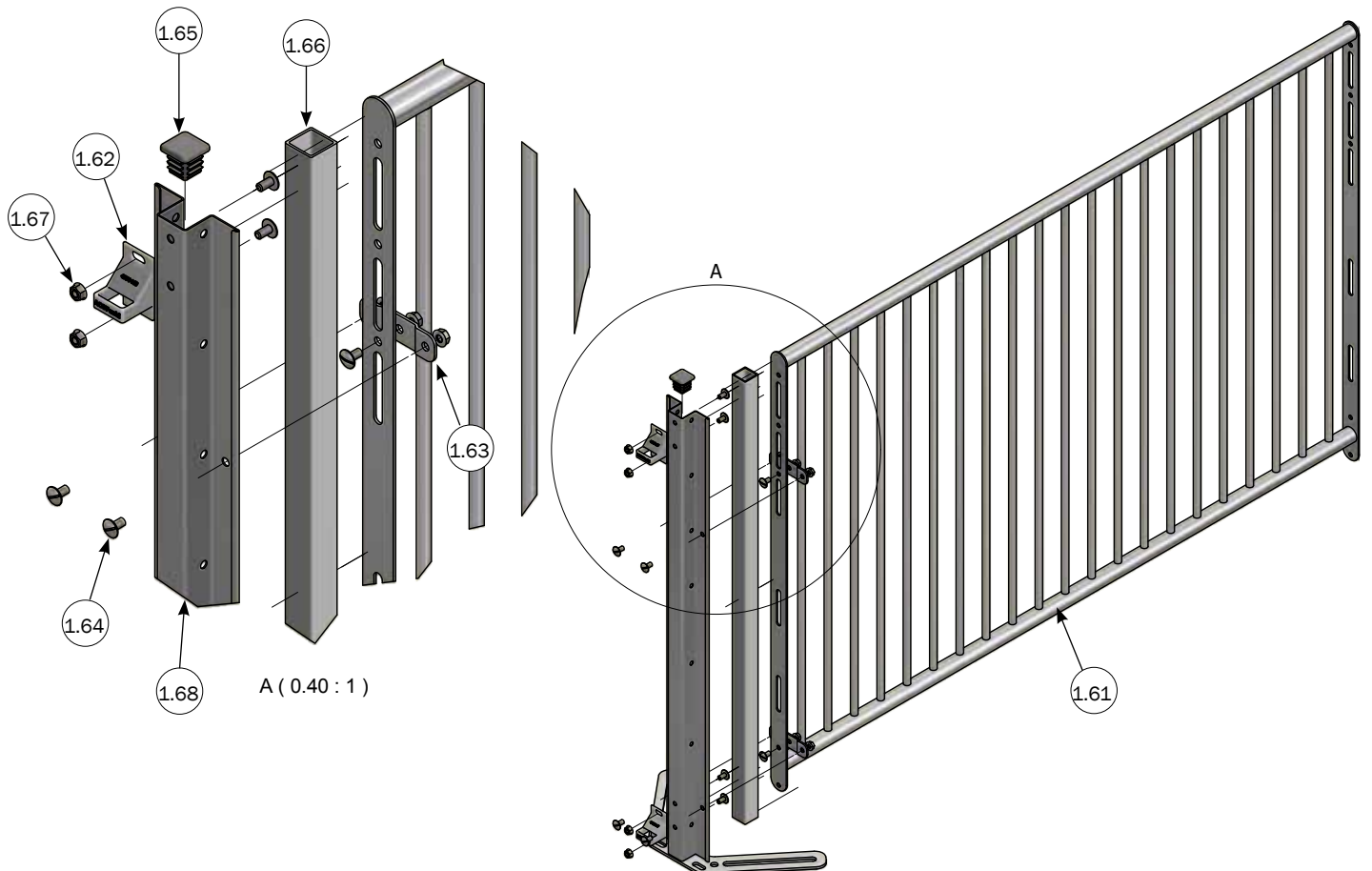
GRILLE FOR CLEAN-O-FLEX 1000 1076-1576 MM



| PARTS LIST | | | |
|------------|------|----------|--|
| NO. | PCS. | ITEM NO. | DESCRIPTION |
| | | 4200204 | GRILLE FOR CLEAN-O-FLEX 1000/1076 HINGE/POST |
| | | 4200226 | GRILLE FOR CLEAN-O-FLEX 1000/1296 HINGE/POST |
| 1 | 1 | 4200254 | GRILLE FOR CLEAN-O-FLEX 1000/1576 HINGE/POST |
| 1.1 | 1 | 4050542 | POST FOR GRILLE |
| 1.2 | 1 | 30085 | TOP CAP 40X40X2 |
| 1.3 | 6 | 35600058 | NUT WASHER Ø8X8,4/24/2 A2 DIN 9021 |
| 1.4 | 3 | 33908001 | LOCK NUT M8 A2 DIN 985 |
| 1.5 | 3 | 32508060 | MACHINE SCREW M8X60 A2 DIN 931 |
| 1.6 | 1 | 4210254 | STAINLESS STEEL CONTACT GRILLE H:1000 L:1550 WITH HINGER |



STAINLESS STEEL CONTACT GRILLE WITH HINGER FOR GATE FULL PEN



| NO. | ITEM NO. | DESCRIPTION |
|------|----------|--|
| | 4210204 | STAINLESS STEEL CONTACT GRILLE H:1000 L:1080 WITH HINGER |
| | 4210226 | STAINLESS STEEL CONTACT GRILLE H:1000 L:1300 WITH HINGER |
| 1.6 | 4210254 | STAINLESS STEEL CONTACT GRILLE H:1000 L:1550 WITH HINGER |
| 1.61 | 4150875 | STAINLESS STEEL CONTACTGRILLE H:1000 L:1500 |
| 1.62 | 4950463 | HINGER FOR Y-OR U-PROFILE STAINLESS STEEL |
| 1.63 | 8450536 | GRILLE BRACKET |
| 1.64 | 67323 | 8 X 16 SCREW SS FRH |
| 1.65 | 9960009 | CAP 35 X 35 X 2 |
| 1.66 | 8500097 | 35X35 PROFILE 1002 MM |
| 1.67 | 68552 | M8 FLANGE NUT DIN 6923 A2 |
| 1.68 | 4250014 | HAT POST H100 |



NOTE
