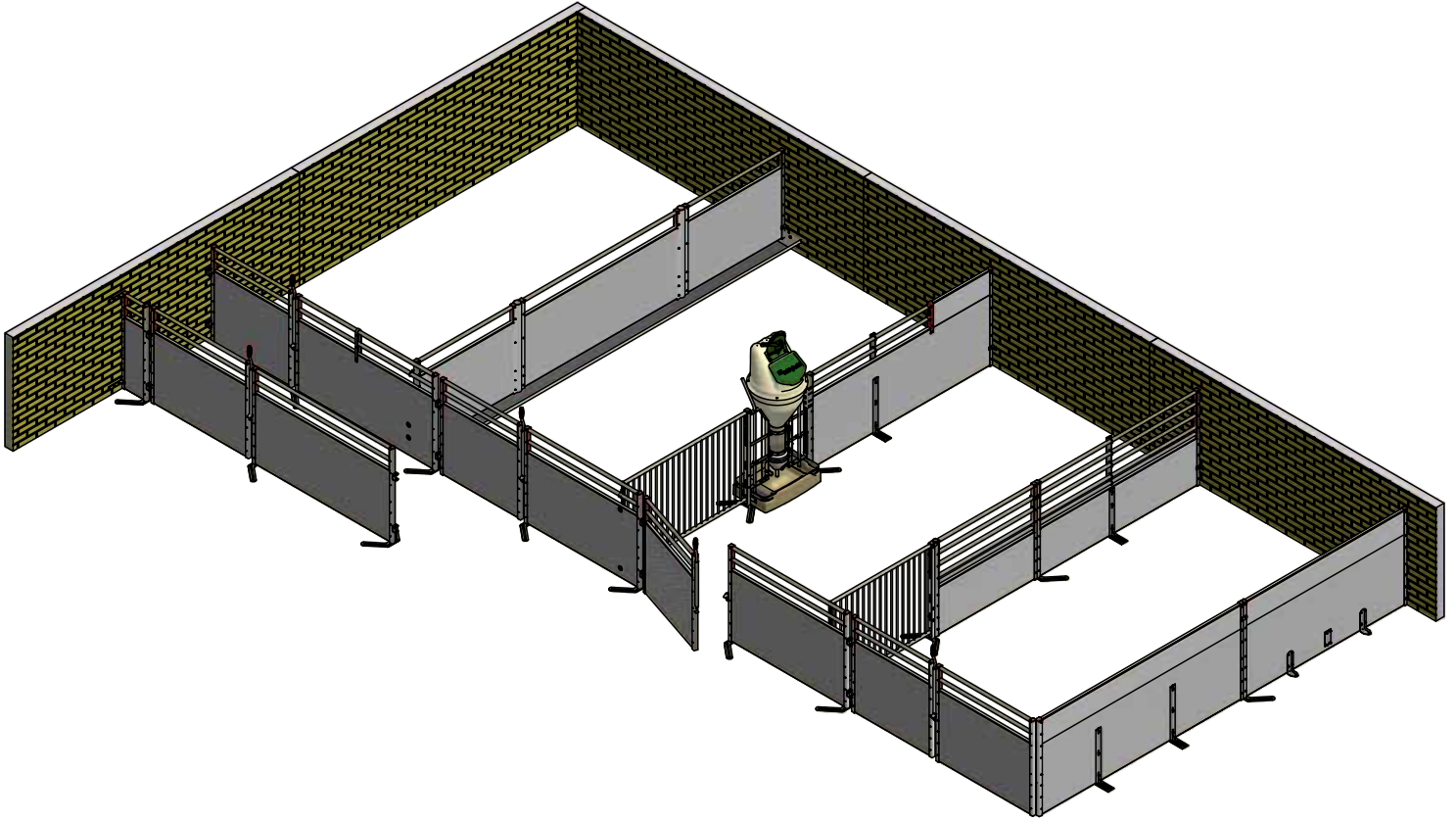


M-6201_GB

MOUNTING INSTRUCTION



CLEAN-O-FLEX 1000 WITH PIN LOCK



ACO FUNKI A/S

Kirkevænget 5
DK-7400 Herning

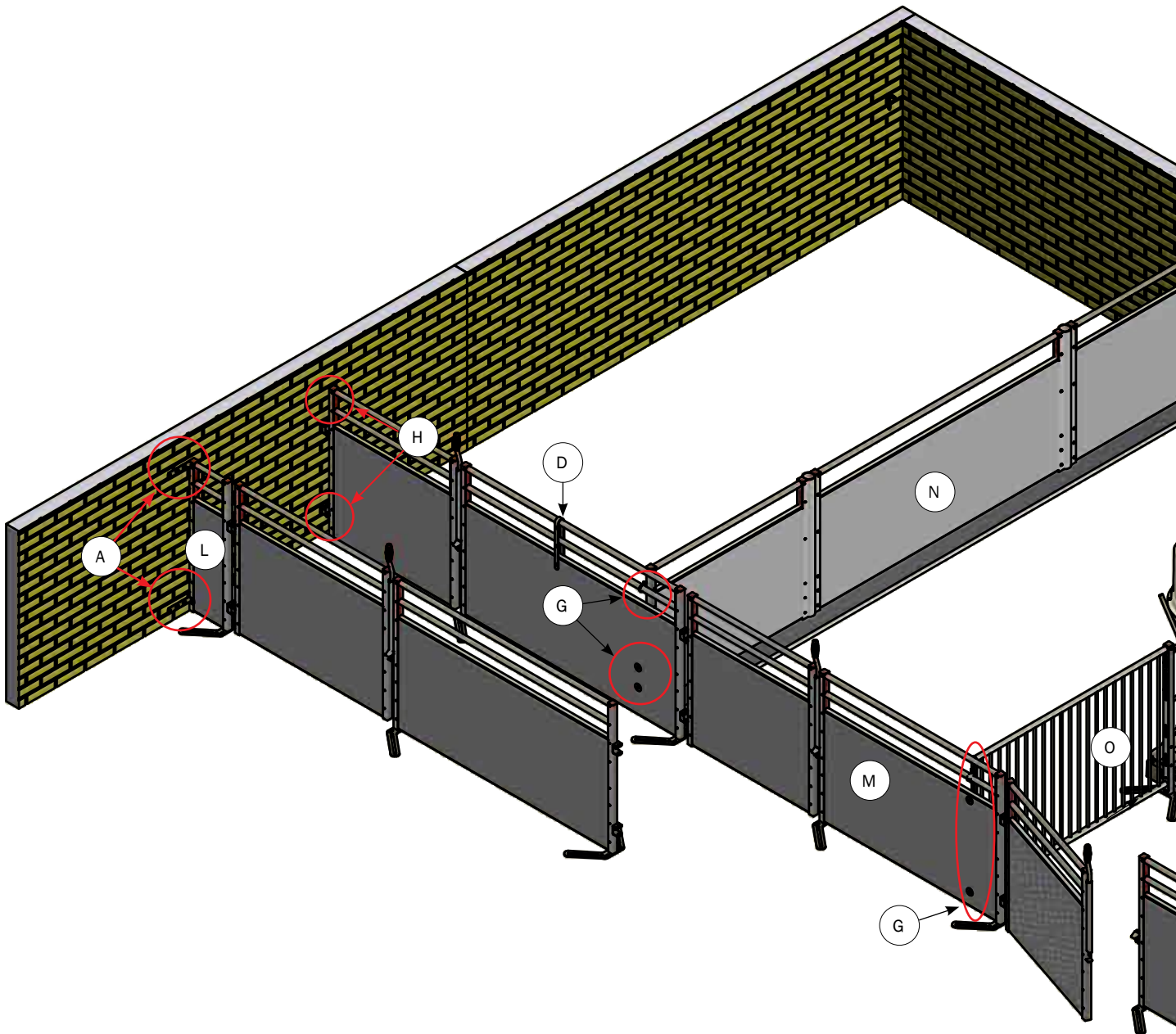
Tel. +45 9711 9600

Fax +45 9711 9677

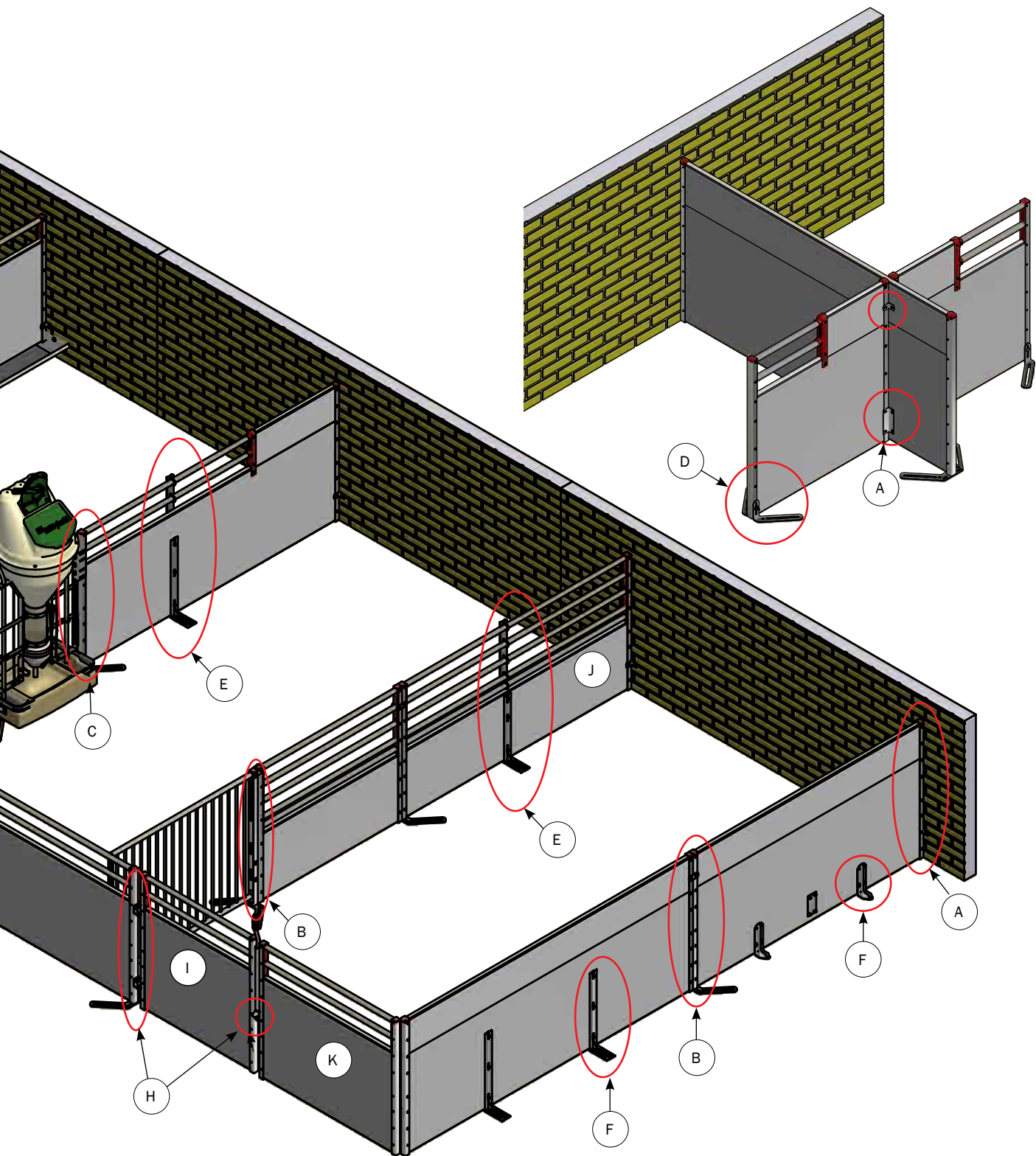
www.acofunki.com

DANISH DESIGN | GERMAN QUALITY | GLOBAL EXPERIENCE

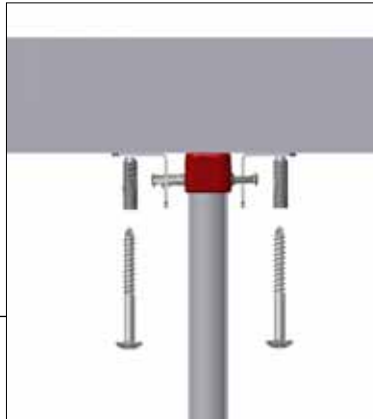
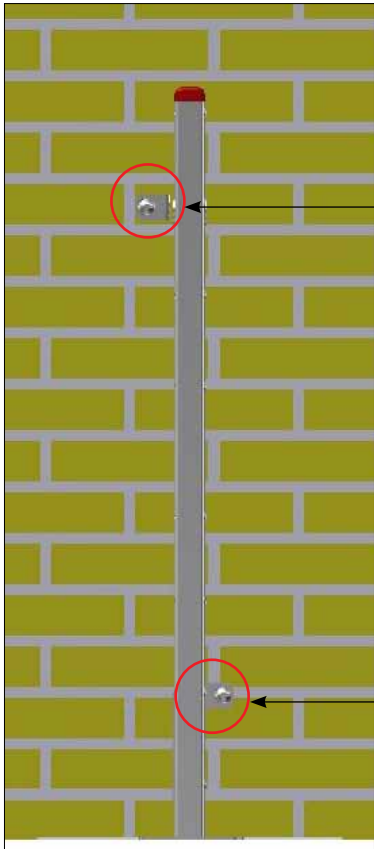
PRODUCT AND MOUNTING OVERVIEW FOR CLEAN-O-FLEX 1000 WITH PIN LOCK



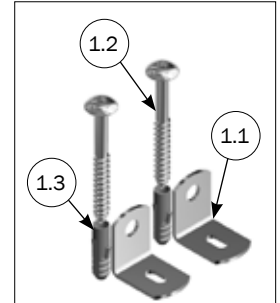
NO.	PAGE	DESCRIPTION
A	4	MOUNTING AGAINST WALL/ MOUNTING DOUBLE PANELWALL AGAINST U-POST
B	5	MOUNTING 2 SIDE IN EXTENSION OF EACH OTHER/U-POST AGAINST GRILLE
C	6	MOUNTING OF U-POST AGAINST FEEDER
D	7	MOUNTING OF LOOS FOUNDATION/ STABILIZATION OF BARS
E	8	STABILIZATION OF SIDE
F	9-10	STABILIZATION IN RESTING AREA
G	11-13	MOUNTING AGAINST FRONT PART
H	14-16	MOUNTING AND ADJUSTMENT OF GATE/GATE STOP
I	17-21	PARTS LIST OF UNASSAMBLED GATE H100
J	22-29	PARTS LIST OF UNASSAMBLED SIDE H100
K	30-35	PARTS LIST OF UNASSAMBLED FRONT PART WITH DROP LATCH H100
L	36-41	PARTS LIST OF UNASSAMBLED FRONT PART WITH HINGER H100
M	32-46	PARTS LIST OF UNASSAMBLED FRONT PART WITH HINGER/RECEIVER H100
N	47-50	PARTS LIST OF UNASSAMBLED LIQUIDFEED WALL H100
O	51	OVERVIEW ON GRILLE H100



MOUNTING OF U-POST AGAINST WALL

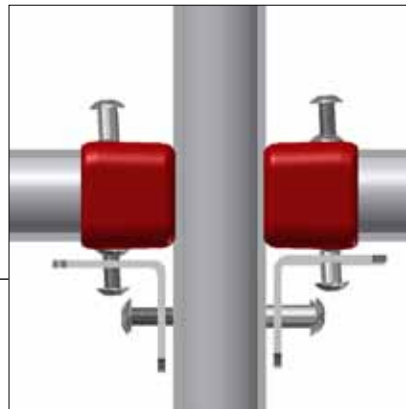
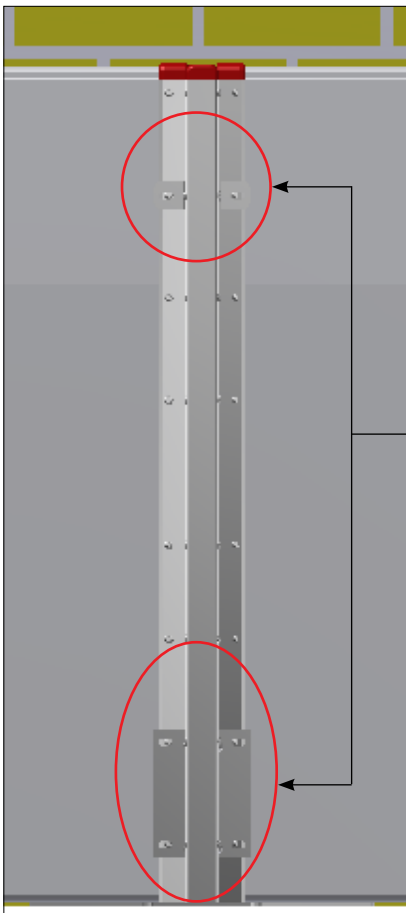


Bracket is Mounted with connection screw from post.

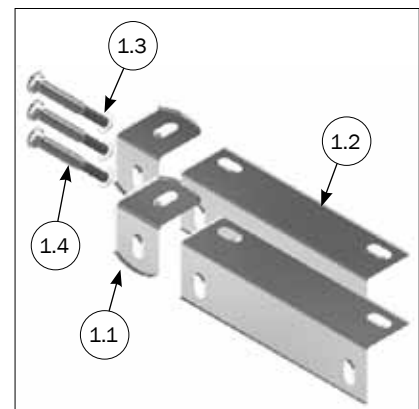


PARTS LIST			
NO.	PCS.	ITEM NO.	DESCRIPTION
1	1	38520	MOUNT KIT FOR U-POST AGAINST WALL
1.1	2	30906	WALL BRACKET ANGLE/PANEL
1.2	2	67444	10 X 70 BUTTON HEAD TORX 50 STAINLESS STEEL
1.3	2	39900001	WALL PLUG 12X60 MM

MOUNTING OF U-POST AGAINST DOUBLE PANELWALL

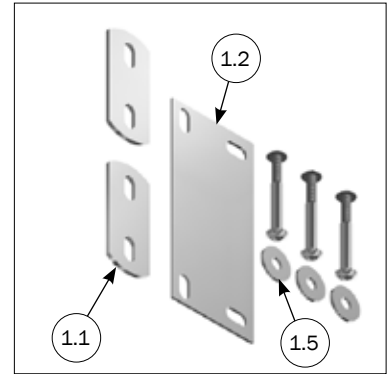
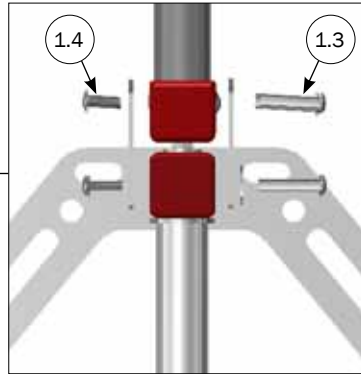
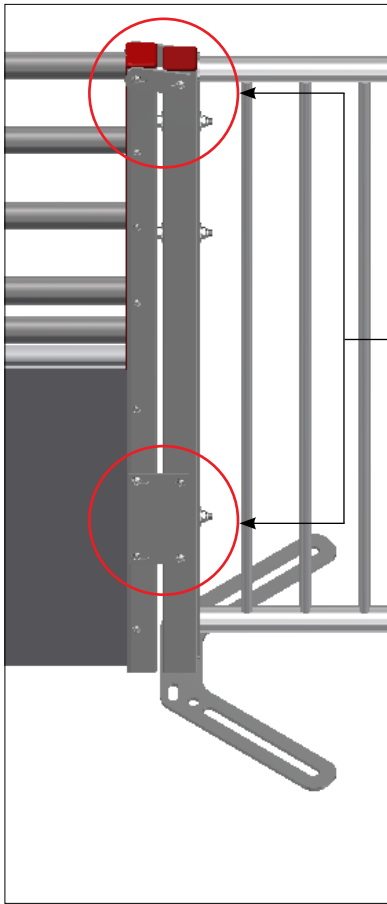


For mounting only 1 wall look at page 13



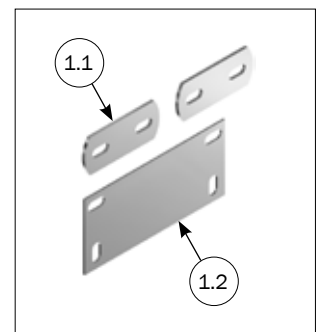
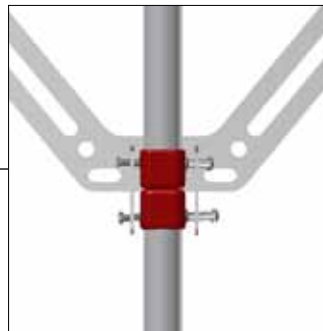
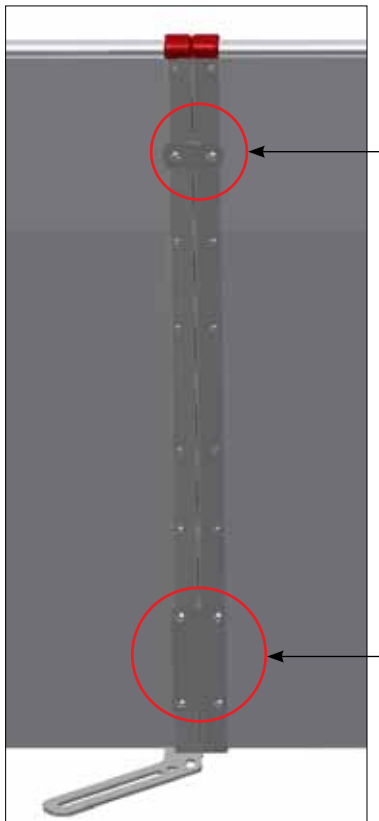
PARTS LIST			
NO.	PCS.	ITEM NO.	DESCRIPTION
1	1	38530	MOUNT KIT F/UPOST DOUBLE AGAINST PANELWALL
1.1	2	30900	WALL BRACKET SMALL
1.2	2	30901	ANGLE BRACKET, LONG
1.3	3	39106020	CONNECTION SCREW M6X20 STAINLESS TORX 30
1.4	3	39206037	SPLICING SLEEVE M6X37 STAINLESS TORX 30

MONTERING AF U-POST AGAINST GRILLE



PARTS LIST			
NO.	PCS.	ITEM NO.	DESCRIPTION
1	1	38525	MOUNT KIT F/U-POST AGAINST GRILLE
1.1	2	30902	ASSEMBLY BRACKET FLAT IRON, SMALL
1.2	1	30903	ASSEMBLY BRACKET FLAT IRON, LARGE
1.3	3	39206037	SPLICING SLEEVE M6X37 STAINLESS TORX 30
1.4	3	39106020	CONNECTION SCREW M6X20 STAINLESS TORX 30
1.5	3	35600058	NUT WASHER Ø8X8,4/24/2 A2 DIN9021

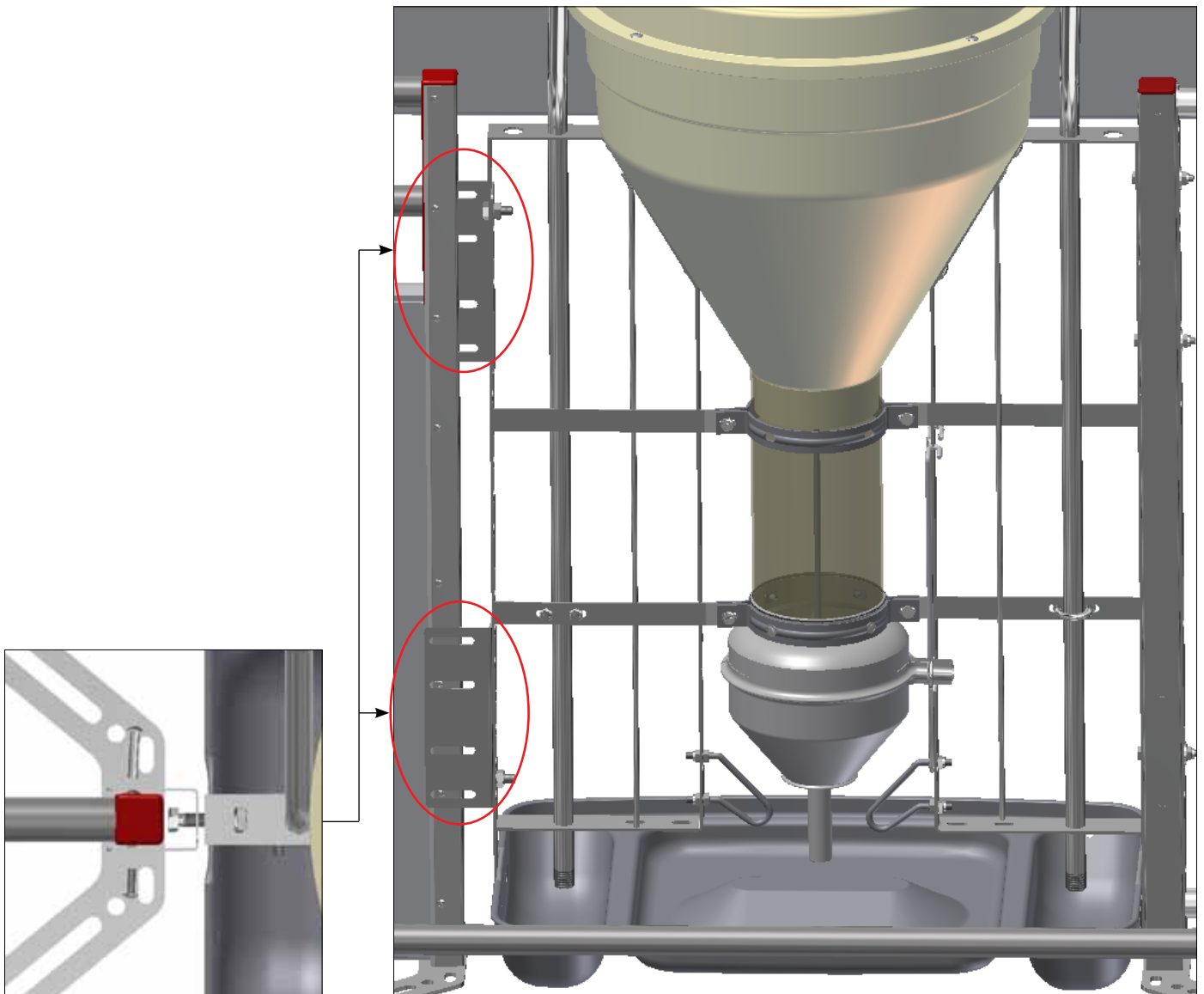
MOUNTING OF 2 SIDES IN EXTENSION OF EACH OTHER



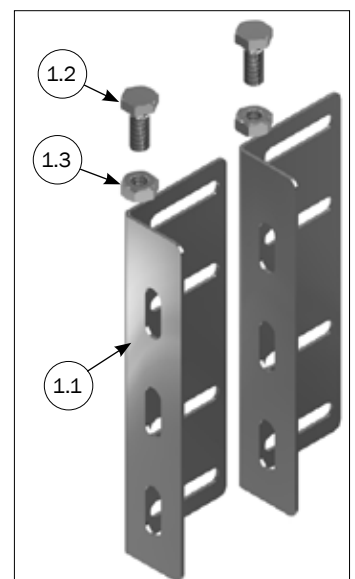
Bracket is Mounted with connection screw from post.

PARTS LIST			
NO.	PCS.	ITEM NO.	DESCRIPTION
1	1	38522	BRACKET FOR MOUNTING 2 SIDES IN EXTENSION OF EACH OTHER
1.1	2	30902	ASSEMBLY BRACKET FLAT IRON, SMALL
1.2	1	30903	ASSEMBLY BRACKET FLAT IRON, LARGE

MOUNTING OF BRACKET ON U-POST AGAINST FEEDER



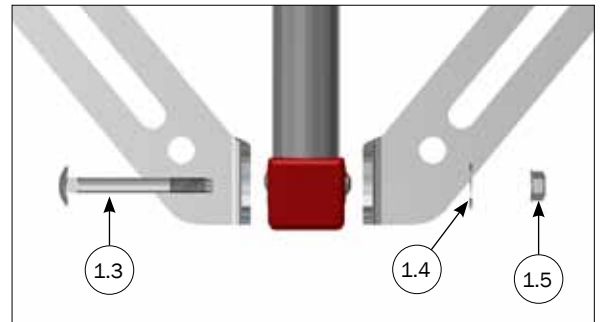
Bracket is Mounted with connection screw from post.



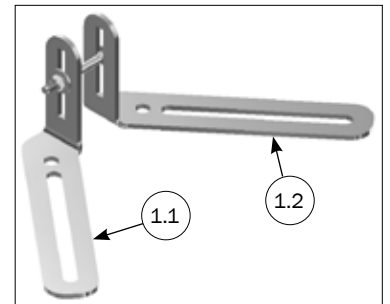
PARTS LIST

NO.	PCS.	ITEM NO.	DESCRIPTION
1	1	38524	MOUNT KIT FOR U-POST AGAINST FEEDERS
1.1	2	30904	TUBE-O-MAT® BRACKET
1.2	2	30310025	SET SCREW M10X25 A2 DIN 933
1.3	2	33510017	NUT M10 A2 DIN 934

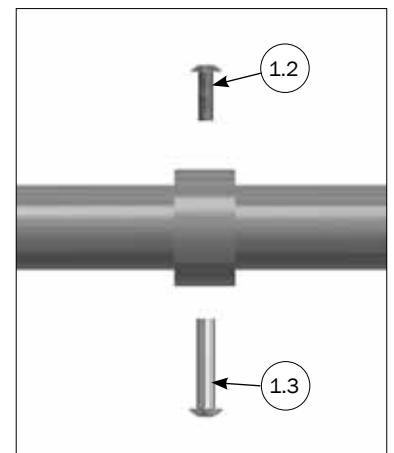
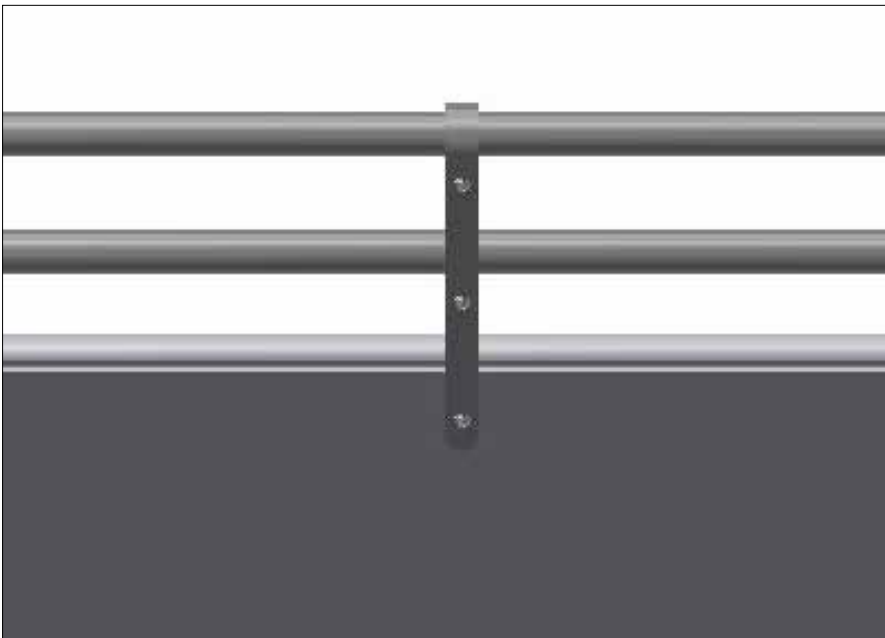
MOUNTING OF LOOSE FOUNDATION



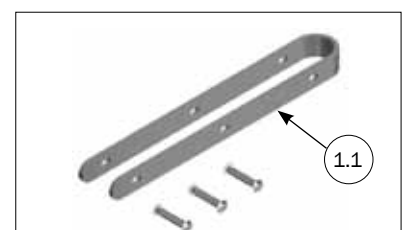
PARTS LIST			
NO.	PCS.	ITEM NO.	DESCRIPTION
1	1	4900803	LOOSE FOUNDATION SET LEFT AND RIGHT
1.1	1	8450702	HALF FOOT PLATE RIGHT STAINLESS STEEL
1.2	1	8450701	HALF FOOT PLATE LEFT STAINLESS STEEL
1.3	1	36308075	MUSHROOMHEADED BOLT M8X75 A2 DIN 603
1.4	1	35600058	NUT WASHER Ø8X8,4/24/2 A2 DIN9021
1.5	1	68552	M8 FLANGE NUT DIN 6923 A2



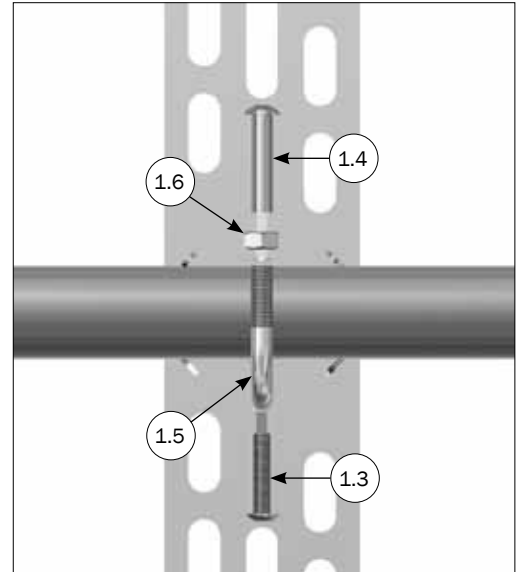
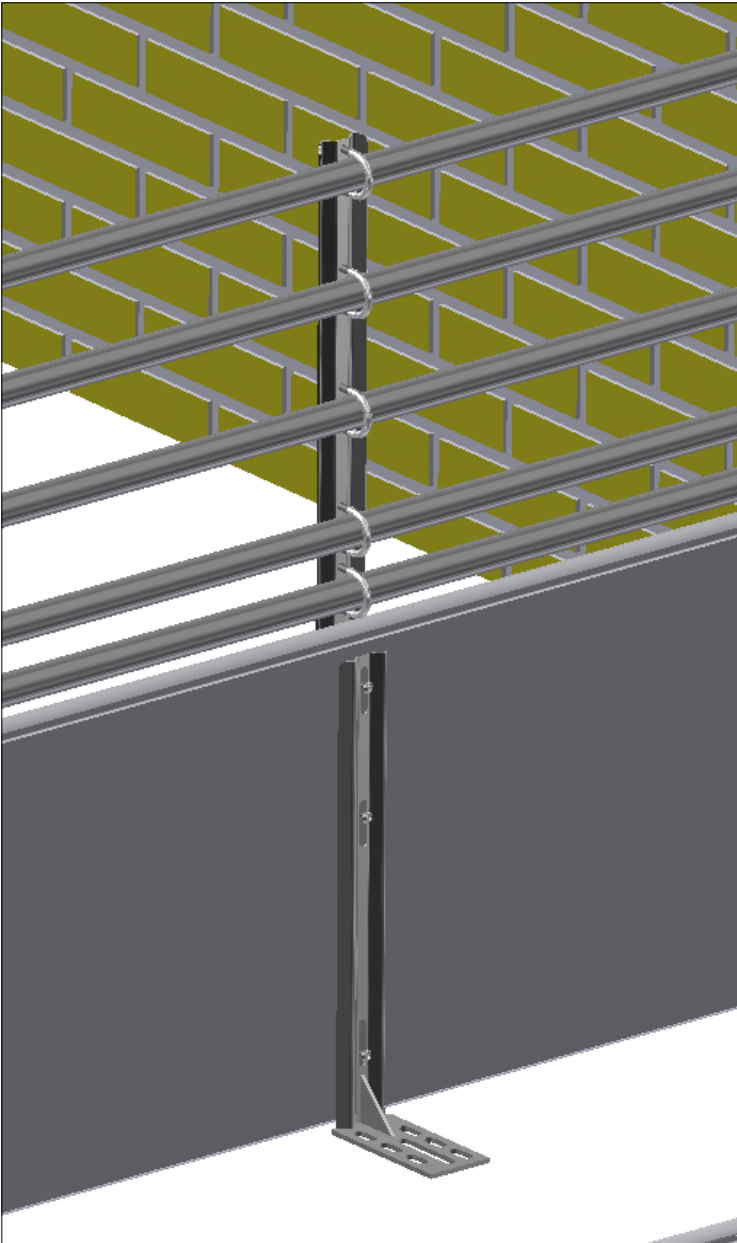
STABILIZATION FOR BARS



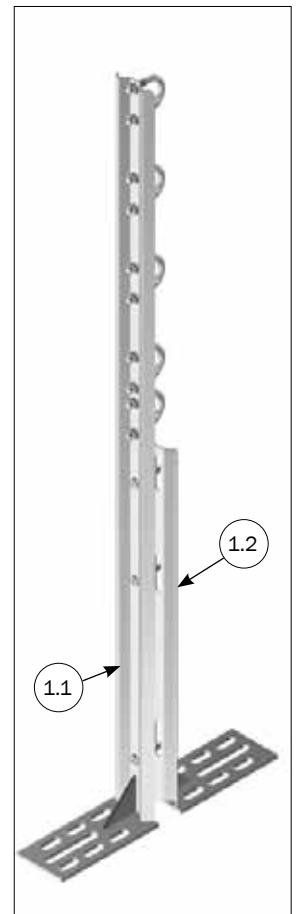
PARTS LIST			
NO.	PCS.	ITEM NO.	DESCRIPTION
1	1	4900331	SUPPORT FOR BOARDPROFILE AND BARS, INCL SCREWS
1.1	1	4920331	SUPPORT FOR PANEL AND BARS
1.2	3	39106020	CONNECTION SCREW M6X20 STAINLESS TORX 30
1.3	3	39206037	SPLICING SLEEVE M6X37 STAINLESS TORX 30



STABILIZATION

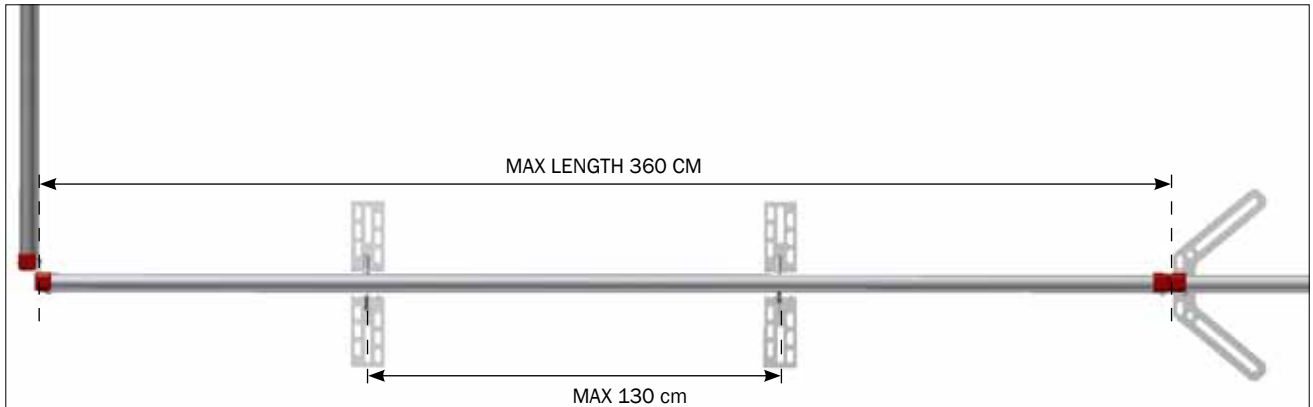


If partition has a length for 2500 mm or more, **must** stabilization post be mounted.

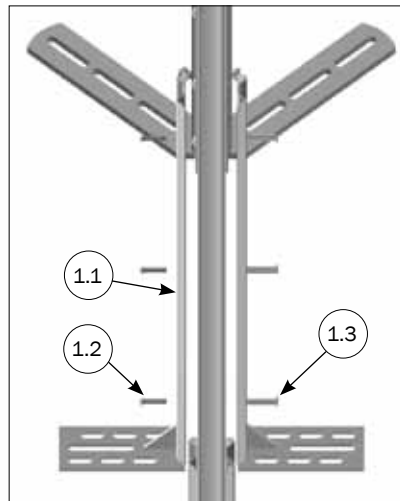


PARTS LIST			
NO.	PCS.	ITEM NO.	DESCRIPTION
		38927	STABILIZATION POST BOARDPROFILE/2 BARS H100 EX. BOLT FOR FLOOR
1	1	38918	STABILIZATION POST FOR BOARDPROFILE/5 BARS H100 EXCL. BOLT FLOOR
1.1	1	38916	STABILIZATION POST H100 CLEAN-O-FLEX 102,4 CM
1.2	3	38917	STABILIZATION POST H50 CLEAN-O-FLEX 49,5 CM
1.3	3	39106020	CONNECTION SCREW M6X20 STAINLESS TORX 30
1.4	3	39206037	SPLICING SLEEVE M6X37 STAINLESS TORX 30
1.5	5	90100062	U-BOLT 1' STAINLESS
1.6	10	33508013	NUT M8 A2 DIN 934

STABILIZATION IN RESTING AREA WITH POST FOR BOARDPROFILE



For stabilization in resting area must there for each 130 cm be mounted: "38923"

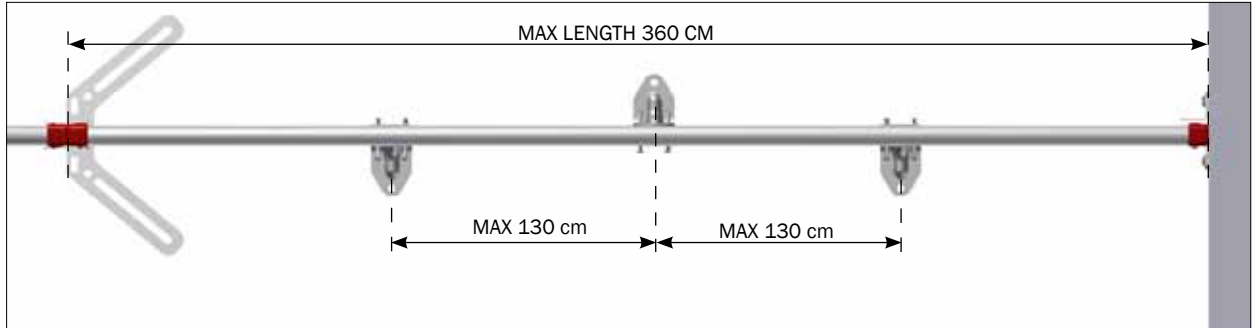


38923
STABILIZATION POST BOARDPROFILE H75/
H100 EX. BOLT FOR FLOOR



PARTS LIST			
NO.	PCS.	ITEM NO.	DESCRIPTION
1	1	38923	STABILIZATION POST BOARDPROFILE H75/H100 EX. BOLT FOR FLOOR
1.1	2	38910	STABILIZATIONS POST H75 CLEAN-O-FLEX 63 CM
1.2	3	39106020	CONNECTION SCREW M6X20 STAINLESS TORX 30
1.3	3	39206037	SPLICING SLEEVE M6X37 STAINLESS TORX 30

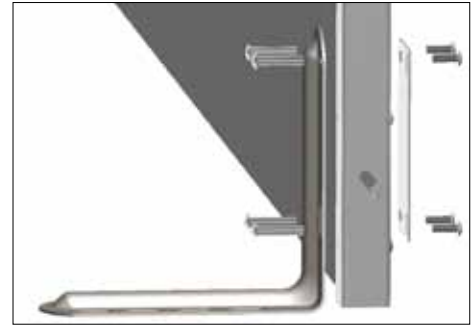
STABILIZATION IN RESTING AREA WITH LOW SUPPORT FOUNDATION



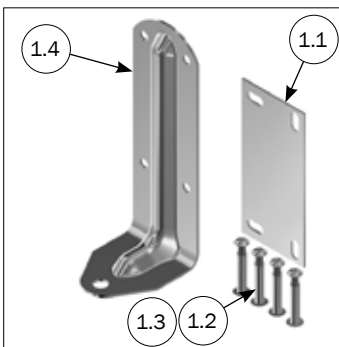
For stabilization in resting area must
for each 130 cm be mounted:
"4900802 or"4900806"



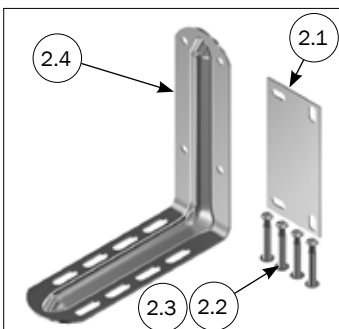
4900806
SUPPORT FOUNDATION FOR CONCRETE
CLEAN-O-FLEX



4900802
SUPPORT FOUNDATION FOR SLATS
CLEAN-O-FLEX

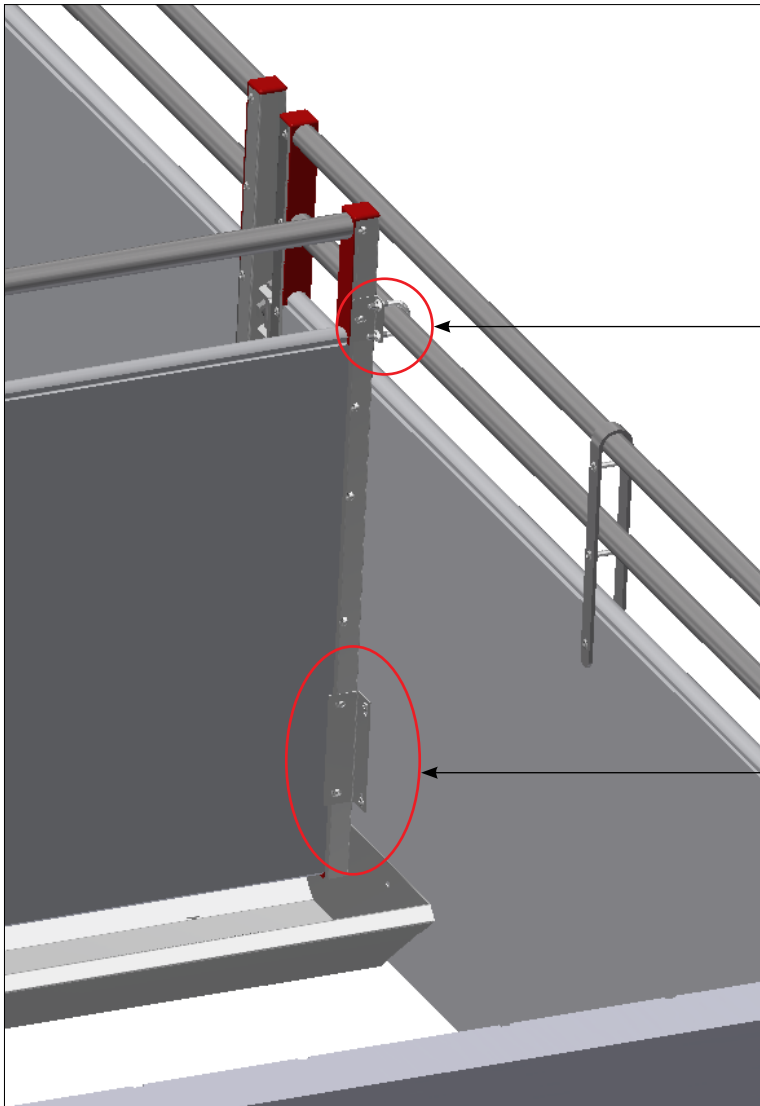


PARTS LIST			
NO.	PCS.	ITEM NO.	DESCRIPTION
1	1	4900806	SUPPORT FOUNDATION FOR CONCRETE CLEAN-O-FLEX
1.1	1	30903	ASSEMBLY BRACKET FLAT IRON, LARGE
1.2	4	39106020	CONNECTION SCREW M6X20 STAINLESS TORX 30
1.3	4	39206037	SPLICING SLEEVE M6X37 STAINLESS TORX 30
1.4	1	30806	SINGLE FOOTBRACKET FOR CONCRET

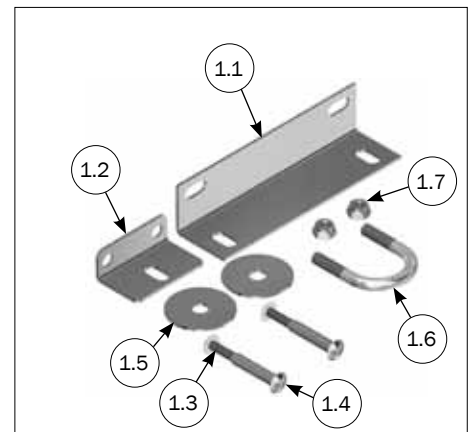


PARTS LIST			
NO.	PCS.	ITEM NO.	DESCRIPTION
2	1	4900802	SUPPORT FOUNDATION FOR SLATS CLEAN-O-FLEX
2.1	1	30903	ASSEMBLY BRACKET FLAT IRON, LARGE
2.2	4	39106020	CONNECTION SCREW M6X20 STAINLESS TORX 30
2.3	4	39206037	SPLICING SLEEVE M6X37 STAINLESS TORX 30
2.4	1	30802	SINGLE FOOTBRACKET FOR SLATS

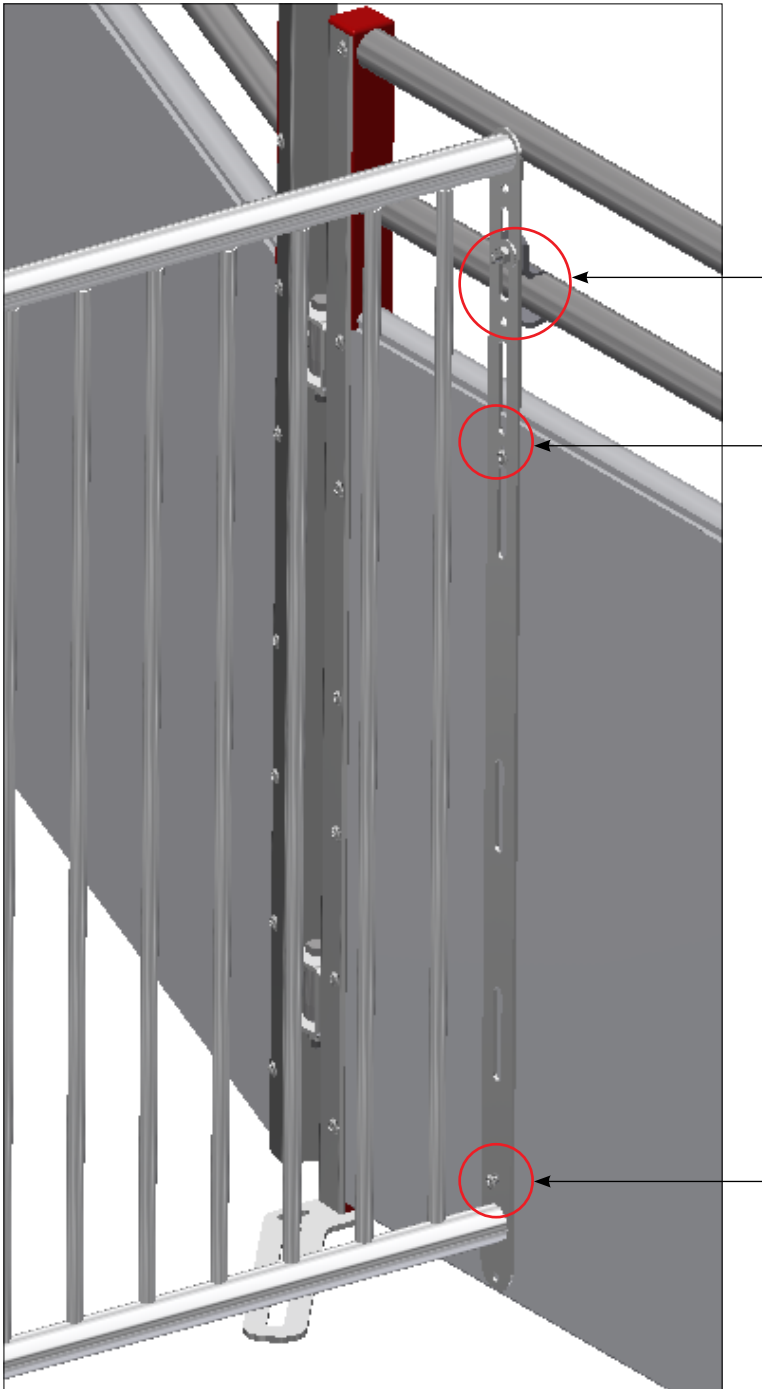
MOUNTING OF U-POST AGAINST FRONT PART BOARDPROFILE/BARS



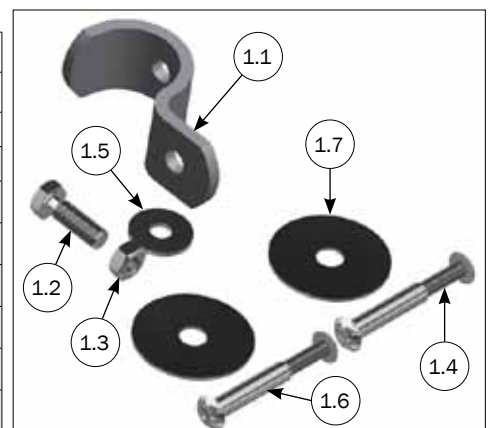
PARTS LIST			
NO.	PCS.	ITEM NO.	DESCRIPTION
1	1	38527	MOUNT KIT F/U-POST AGAINST FRONT PART BOARDPROFILE/BARS
1.1	1	30901	ANGLE BRACKET, LONG
1.2	1	30898	ANGLE BRACKET FOR TOPBAR SMALL
1.3	2	39106020	CONNECTION SCREW M6X20 STAINLESS TORX 30
1.4	2	39206037	SPLICING SLEEVE M6X37 STAINLESS TORX 30
1.5	2	20037	MASTER CLAMP WASHER Ø10,5/45 1,5 A2
1.6	1	90100062	U-BOLT 1' STAINLESS
1.7	2	33908001	LOCK NUT M8 A2 DIN 985



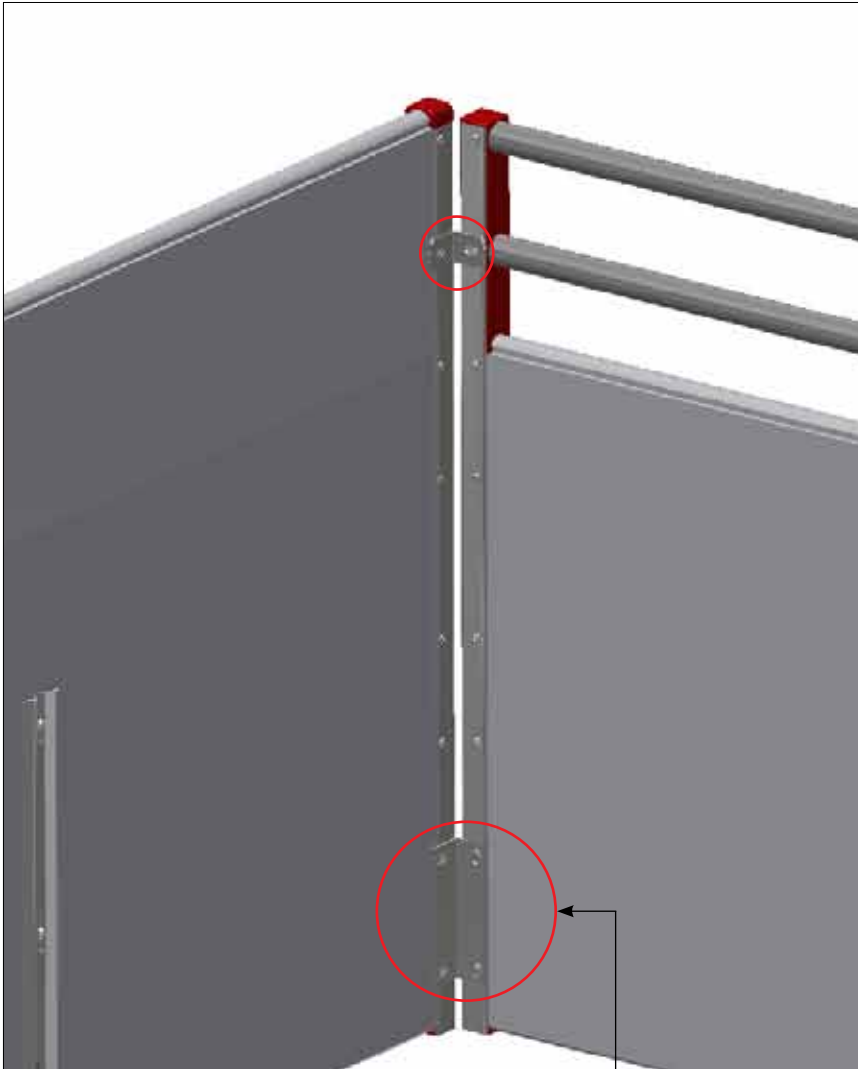
MOUNTING OF GRILLE AGAINST FRONT PART BOARDPROFILE/BARS



PARTS LIST			
NO.	PCS.	ITEM NO.	DESCRIPTION
1	1	38528	MOUNT KIT F/GRILLE H75-100 AGAINST FRONT PART BOARDPROFILE/BARS
1.1	1	1620081	PIPE FITTING FOR 1" PIPE W/Ø9HOLE
1.2	1	30308025	SET SCREW M8X25 A2 DIN 933
1.3	1	33508013	NUT M8 A2 DIN 934
1.4	2	39106020	CONNECTION SCREW M6X20 STAINLESS TORX 30
1.5	1	35600058	NUT WASHER Ø8X8,4/24/2 A2 DIN9021
1.6	2	39206037	SPLICING SLEEVE M6X37 STAINLESS TORX 30
1.7	2	20037	MASTER CLAMP WASHER Ø10,5/45 1,5 A2



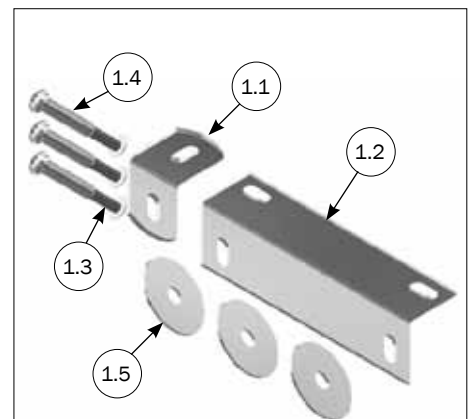
MOUNTING OF U-POST AGAINST U-POST FRONT PART



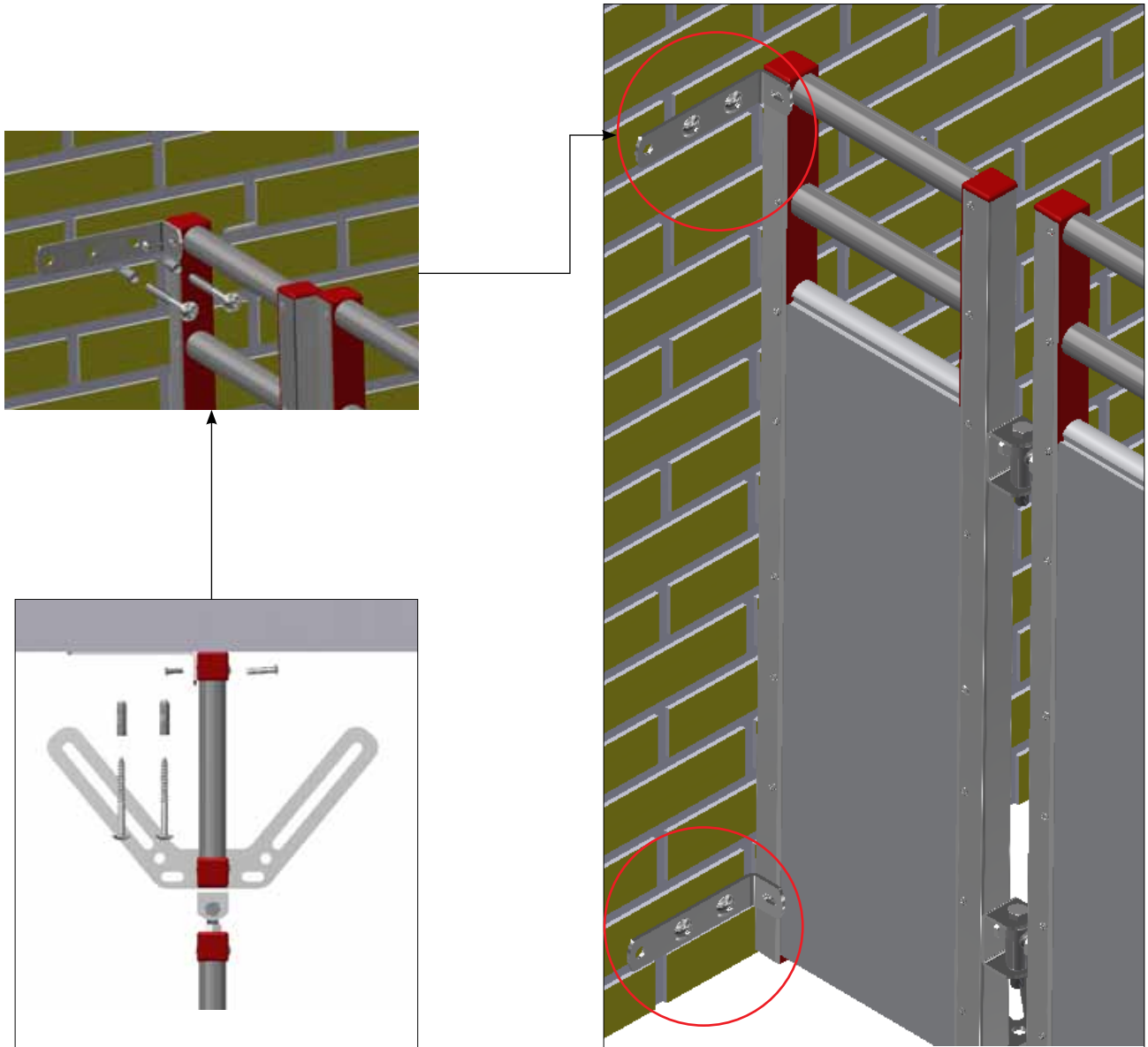
Bracket on U-post is mounted with connection screw from post
POS 1.3-1.4 og 1.5 is not in use.



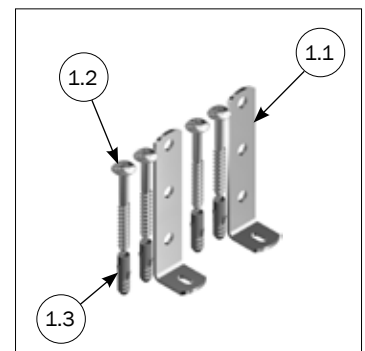
PARTS LIST			
NO.	PCS.	ITEM NO.	DESCRIPTION
1	1	38526	MOUNT KIT F/UPOST AGAINST FRONT PART BOARDPROFILE
1.1	1	30900	WALL BRACKET SMALL
1.2	1	30901	ANGLE BRACKET, LONG
1.3	3	39106020	CONNECTION SCREW M6X20 STAINLESS TORX 30
1.4	3	39206037	SPLICING SLEEVE M6X37 STAINLESS TORX 30
1.5	3	20037	MASTER CLAMP WASHER Ø10,5/45 1,5 A2



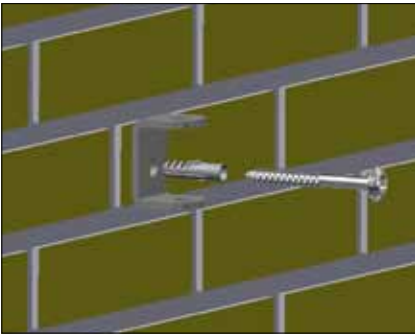
MOUNTING OF FRONT PART AGAINST WALL



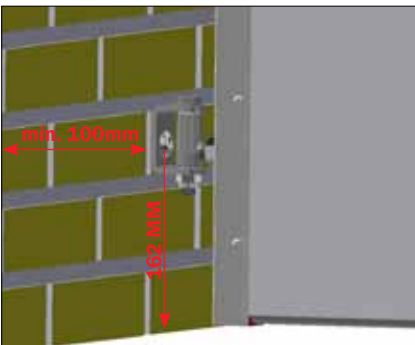
PARTS LIST			
NO.	PCS.	ITEM NO.	DESCRIPTION
		38519	MOUNTING KIT FOR FRONT PART AGAINST WALL
1.1	2	30899	BRACKET FOR WALL LONG
1.2	4	67444	10 X 70 BUTTON HEAD TORX 50 STAINLESS STEEL
1.3	4	39900001	WALL PLUG 12X60 MM



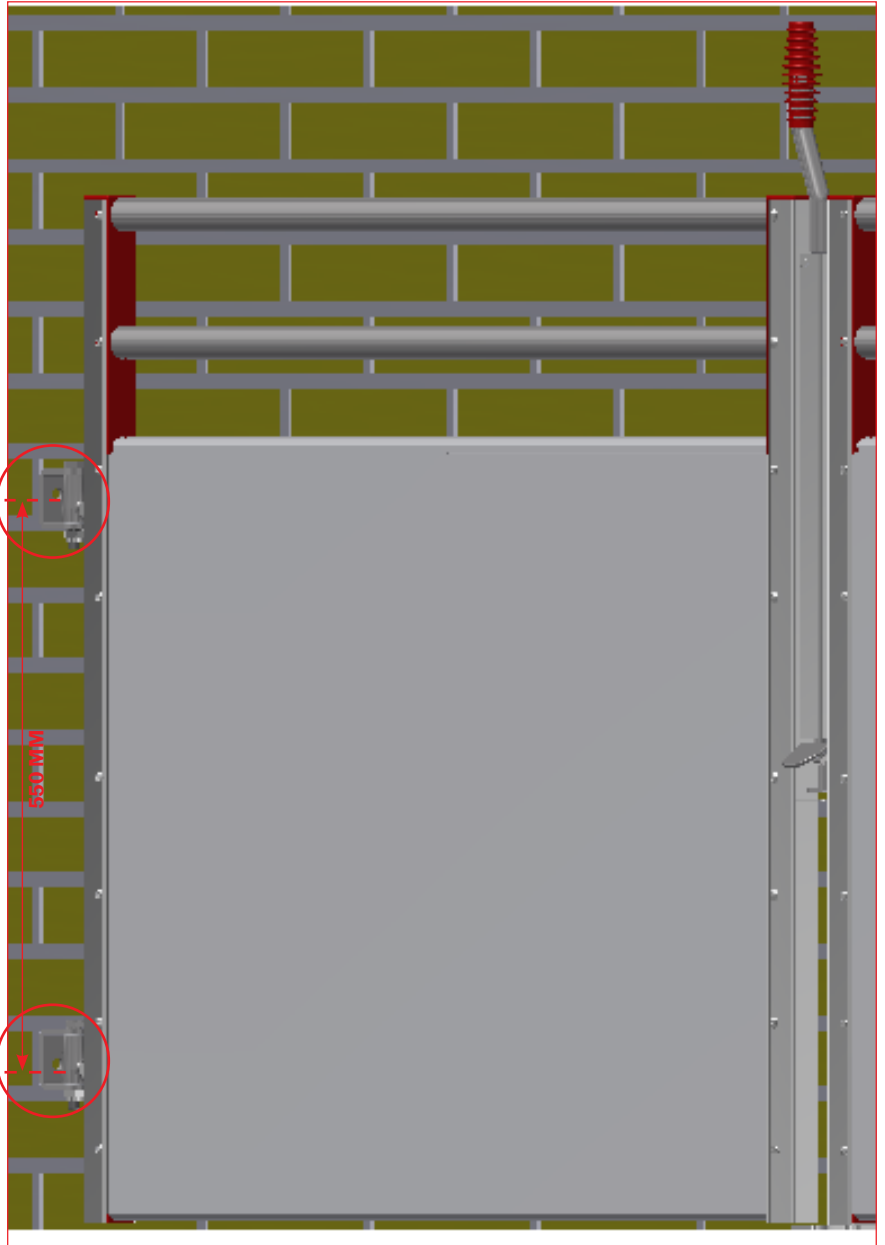
MOUNTING OF GATE AGAINST WALL



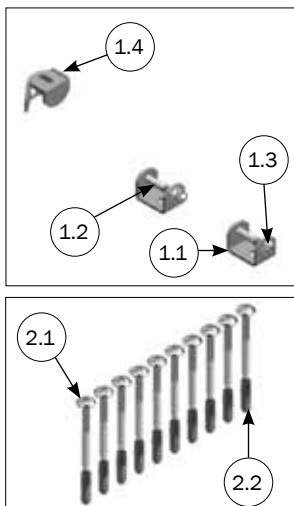
For mounting on wall use "4800010"
10 PCS. SS BUTTON HEAD SCREWS
10X70 + WALL PLUG



Distance from edge of wall to bracket min. 100mm
Distance from floor to center hole in bracket is: 162mm

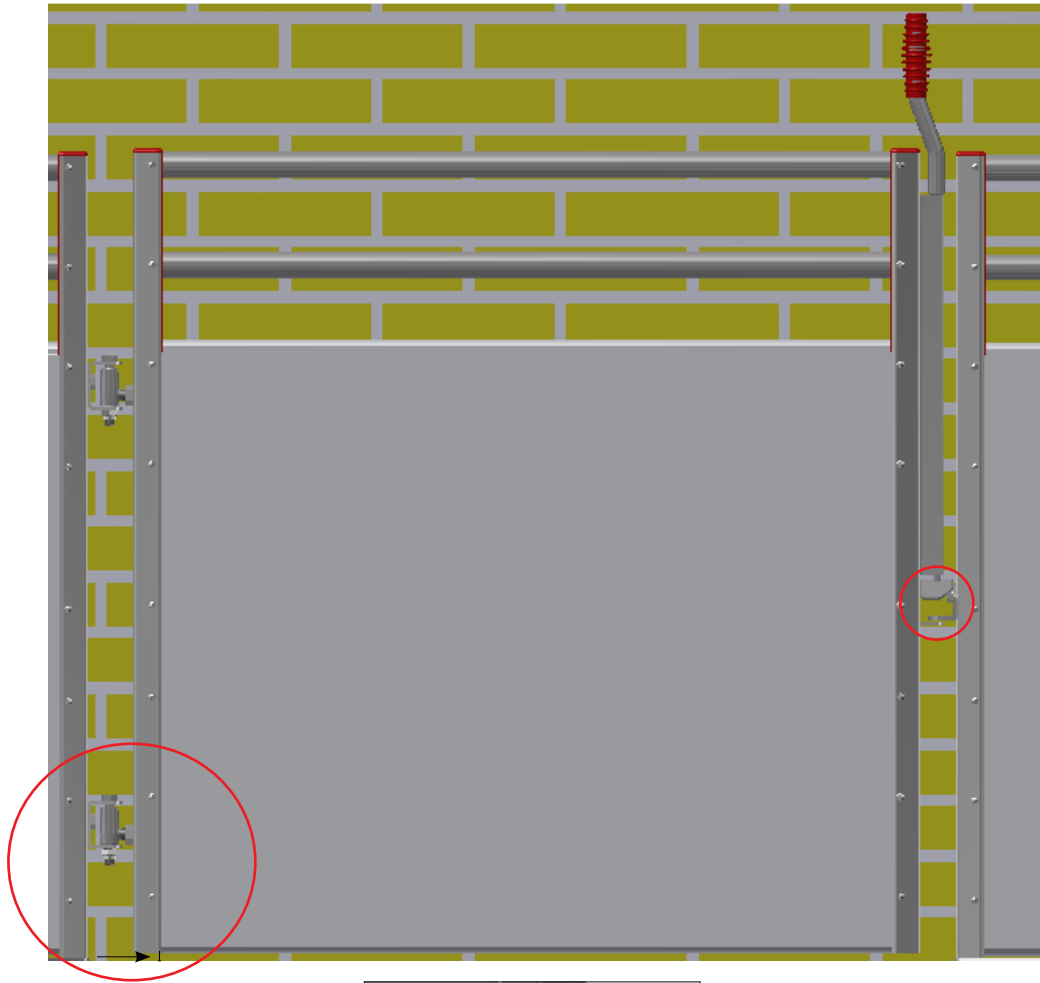


When mounting the gate against wall is **POS. 1.4** not in use.

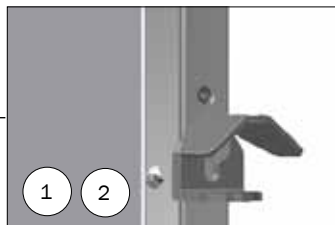


PARTS LIST			
NO.	PCS.	ITEM NO.	DESCRIPTION
1	1	4000904	KIT FOR GATE WITH PIN BOLT
1.1	2	29715HG	INN-O-FLEX HINGE BRACKET
1.2	2	67549	12 X 80 HEX HEAD BOLT A2
1.3	2	33912000	LOCK NUT M12 A2 DIN 985
1.4	1	1915043	DROP LATCH 40 MM.
	1	4800010	10 PCS. SS BUTTON HEAD SCREWS 10X70 + WALL PLUG
2.1	10 (2)	67444	10 X 70 BUTTON HEAD TORX 50 STAINLESS STEEL
2.2	10 (2)	39900001	WALL PLUG 12X60 MM

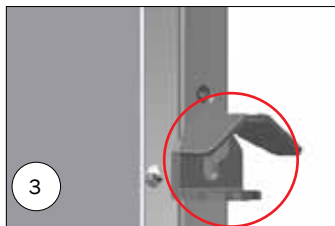
ADJUSTMENT OF GATE



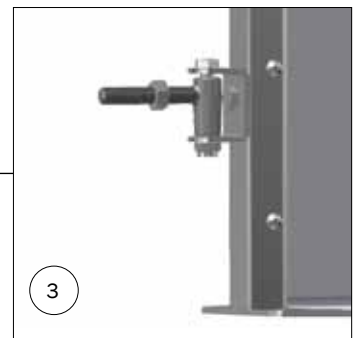
1
Distance between floor and lower edge of gate is 10 mm



1 2
Drop latch is mounted in the lower hole.



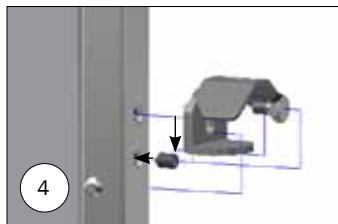
3
For adjustment of drop latch:
Bolt loosened, adjust and tightened.



3
Distance between floor and lower edge of gate is 30 mm



2
Distance between floor and lower edge of gate is 20 mm

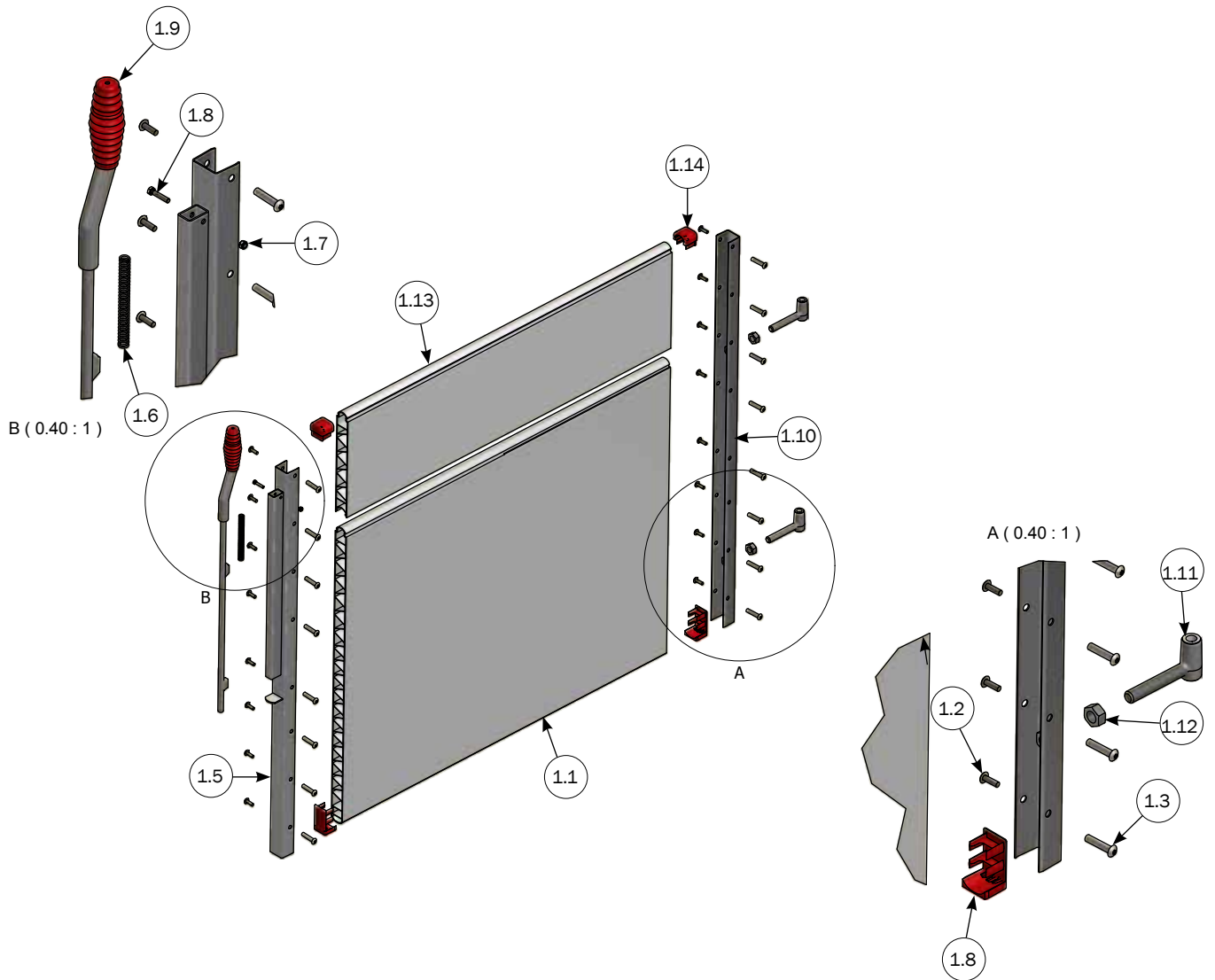


4
Drop latch is moved to top hole.

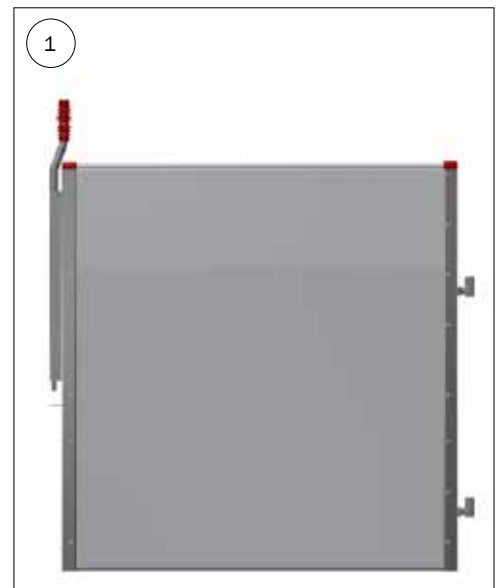


4
Distance between floor and lower edge of gate is 40 mm

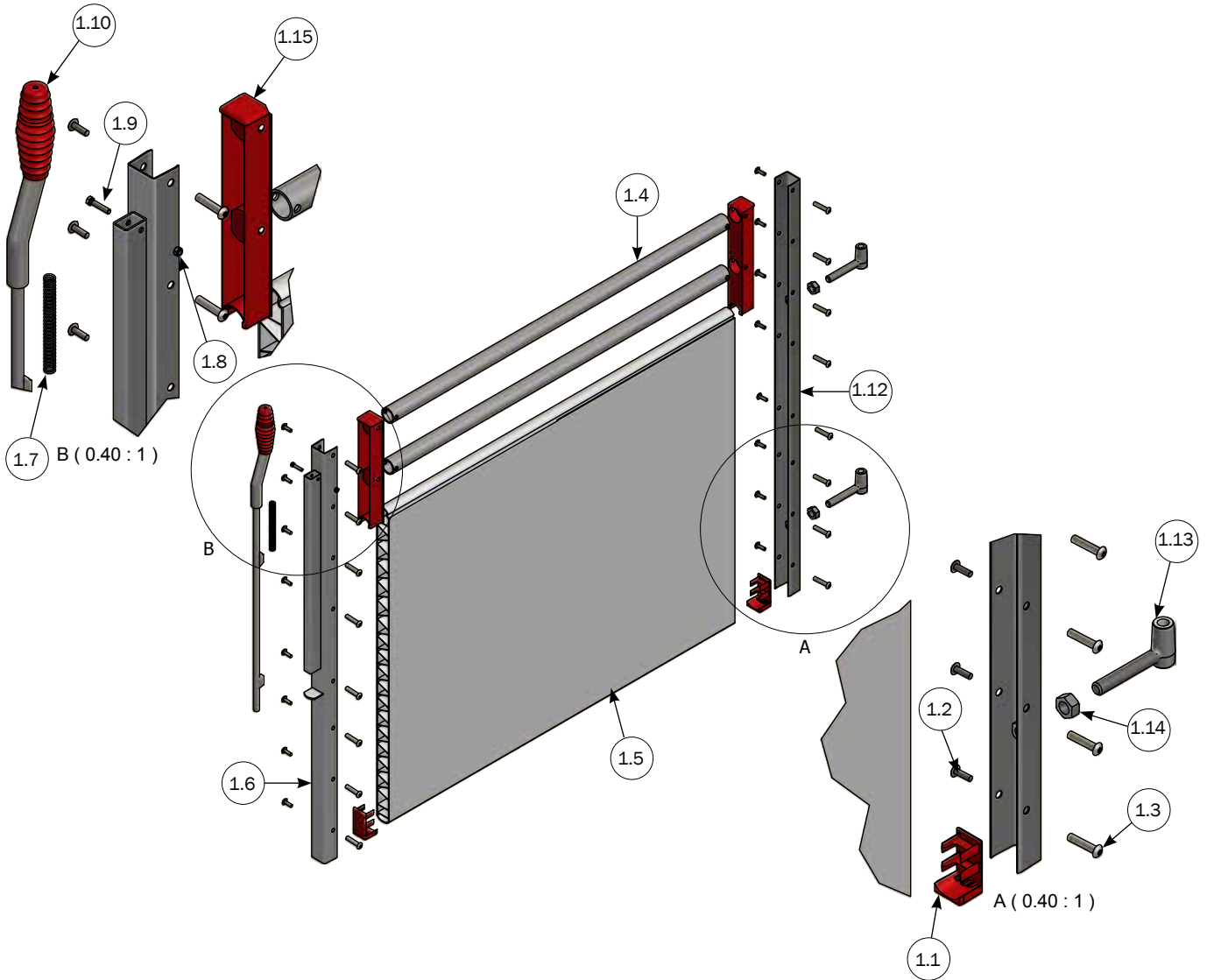
GATE FOR CLEAN-O-FLEX 1000 H110 300-1400 MM BOARDPROFILE WITH PIN LOCK



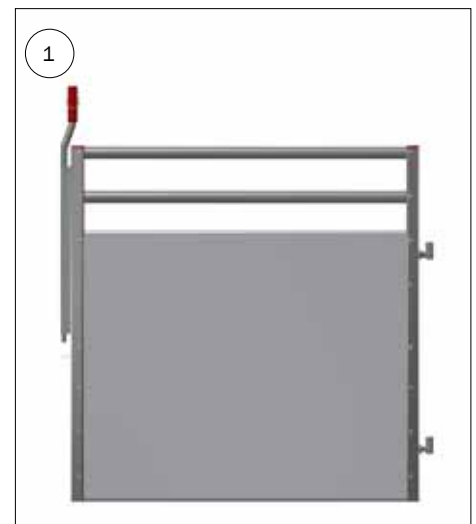
NO.	ITEM NO.	DESCRIPTION
1	4210811	GATE H100 BOARDPROFILE 300-1400 MM WITH PIN LOCK
1.1	30013	PLUG PANEL BOTTOM 50 CM/75 CM PANEL
1.2	39106020	CONNECTION SCREW M6X20 STAINLESS TORX 30
1.3	39206037	SPLICING SLEEVE M6X37 STAINLESS TORX 30
1.4	30105	BOARDPROFILE 35X750 MM SPEC. LENGTH PRICE PER METER
1.5	4250532	UPOST FOR GATE WITH PIN LOCK
1.6	9929004	COMPRESSION SPRING 1,6X12X115 MM
1.7	33905000	LOCK NUT M5 A2 DIN 985
1.8	30305025	SET SCREW M5X25 A2 DIN 933
1.9	4105183	PIN LOCK FOR GATE INCL. GRIP
1.10	4150211	UPOST WITH BOLT FOR GATE H1003 MM
1.11	29705HG	INN-O-FLEX STUD BOLT COMPLET
1.12	68598	NUT 14 MM SS
1.13	30099	BOARDPROFILE 35X250 MM SPEC. LENGTH PRICE PER METER
1.14	30001	PLUG PANEL TOP



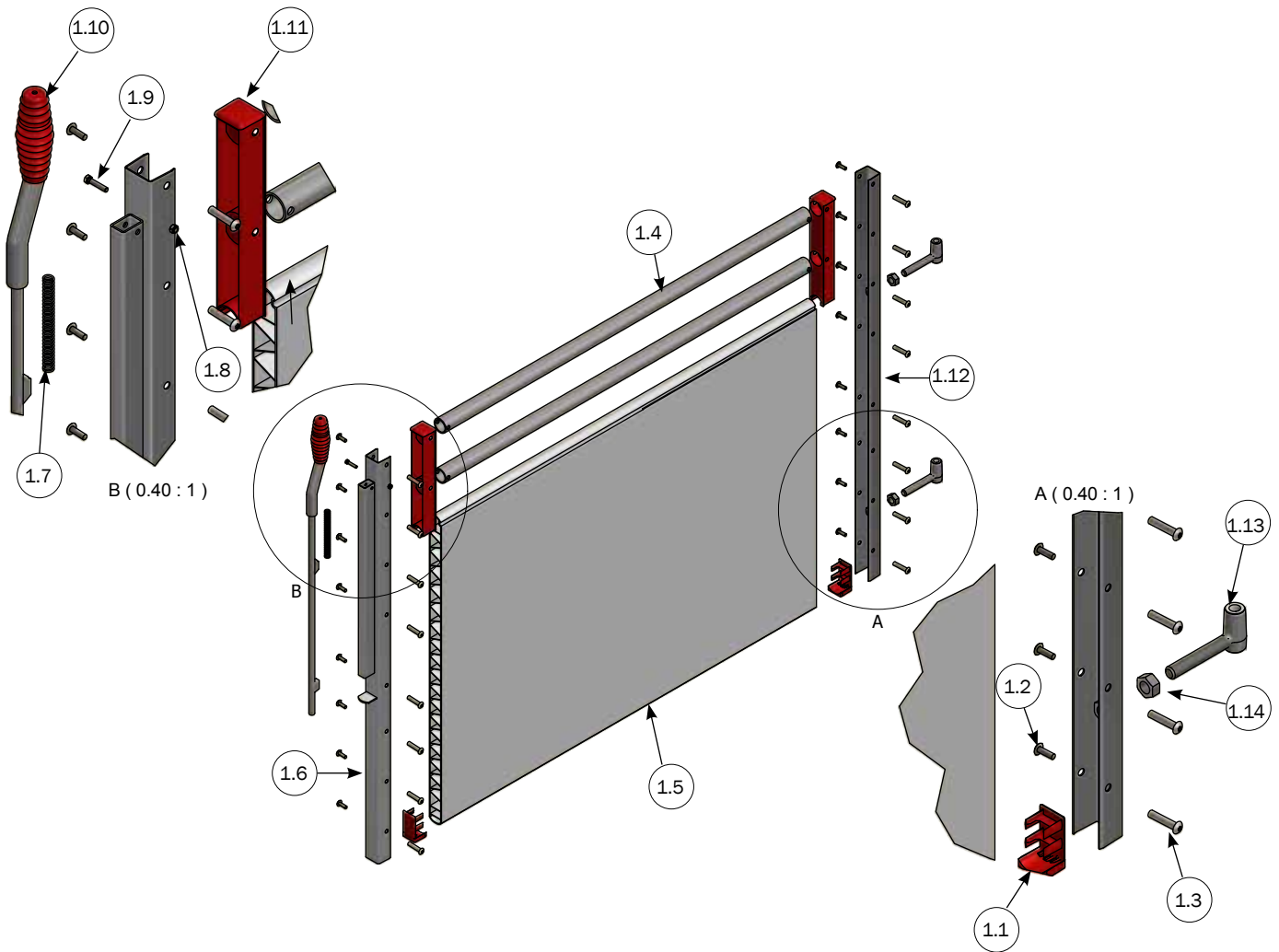
GATE FOR CLEAN-O-FLEX 1000 H100 300-1400 MM 2 BAR/BOARDPROFILE WITH PIN LOCK



NO.	ITEM NO.	DESCRIPTION
1	4210611	GATE H100 BOARDPROFILE/2 BAR 300-1400 MM WITH PIN LOCK
1.1	30013	PLUG PANEL BOTTOM 50 CM/75 CM PANEL
1.2	39106020	CONNECTION SCREW M6X20 STAINLESS TORX 30
1.3	39206037	SPLICING SLEEVE M6X37 STAINLESS TORX 30
1.4	112406	33.7 X 2.6 PIPE GALV. PRICE PER METER, LENGTH 6 METER
1.5	30105	BOARDPROFILE 35X750 MM SPEC. LENGTH PRICE PER METER
1.6	4250532	UPOST FOR GATE WITH PIN LOCK
1.7	9929004	COMPRESSION SPRING 1,6X12X115 MM
1.8	33905000	LOCK NUT M5 A2 DIN 985
1.9	30305025	SET SCREW M5X25 A2 DIN 933
1.10	4105183	PIN LOCK FOR GATE INCL. GRIP
1.11	30006	PLUG PANEL TOP 2 TOP PIPES
1.12	4150211	UPOST WITH BOLT FOR GATE H1003 MM
1.13	29705HG	INN-O-FLEX STUD BOLT COMPLET
1.14	68598	NUT 14 MM SS



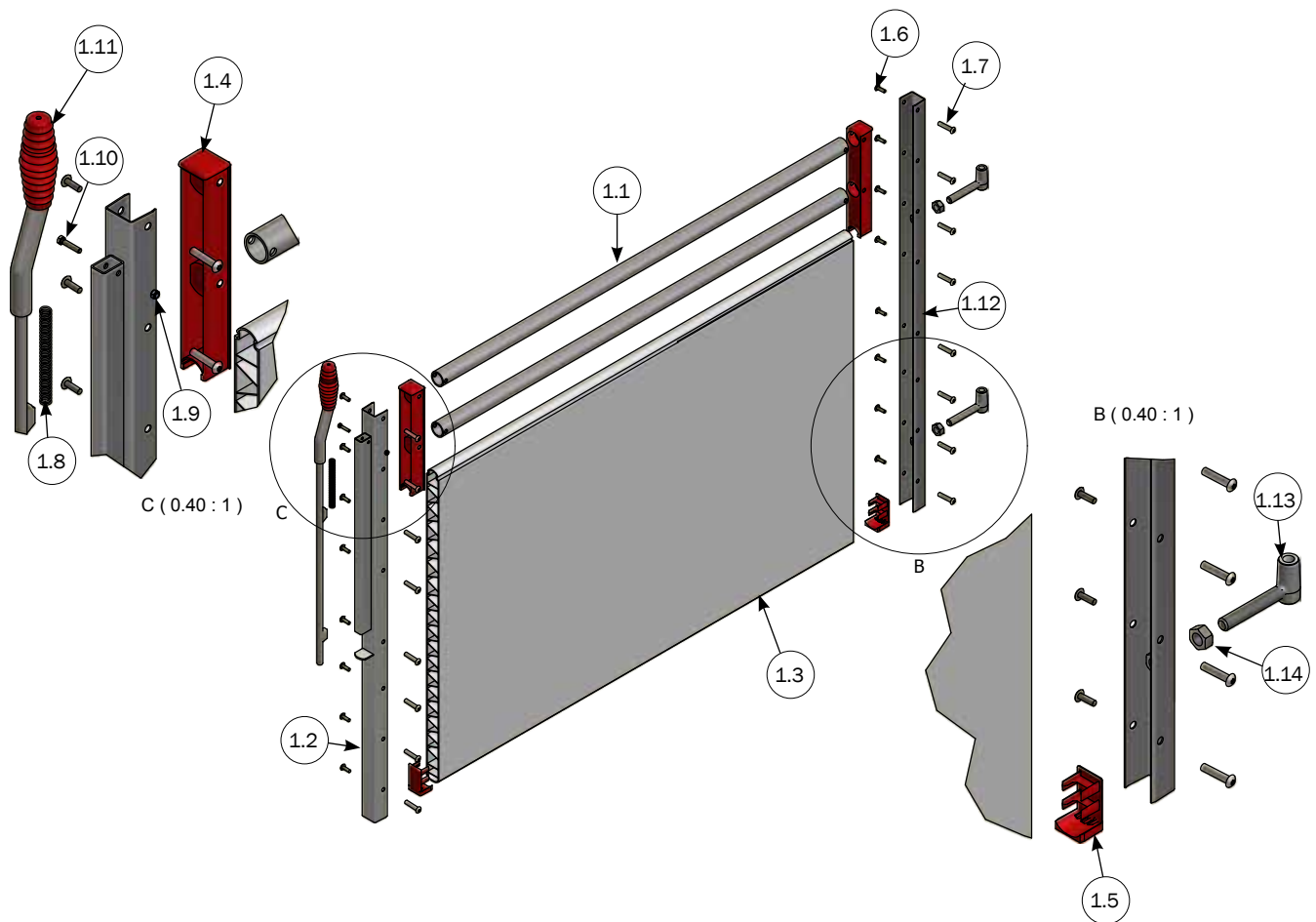
GATE FOR CLEAN-O-FLEX 1000 H110 1200 MM 2 BAR/BOARDPROFILE WITH PIN LOCK



NO.	ITEM NO.	DESCRIPTION
1	4210612	GATE H100 BOARDPROFILE/2 BAR 1200 MMM WITH PIN LOCK
1.1	30013	PLUG PANEL BOTTOM 50 CM/75 CM PANEL
1.2	39106020	CONNECTION SCREW M6X20 STAINLESS TORX 30
1.3	39206037	SPLICING SLEEVE M6X37 STAINLESS TORX 30
1.4	8140128	33,7 X 2,6 PIPE GALV. FOR GATE 1200 MM
1.5	8460571	BOARDPROFILE 35X750 MM
1.6	4250532	UPOST FOR GATE WITH PIN LOCK
1.7	9929004	COMPRESSION SPRING 1,6X12X115 MM
1.8	33905000	LOCK NUT M5 A2 DIN 985
1.9	30305025	SET SCREW M5X25 A2 DIN 933
1.10	4105183	PIN LOCK FOR GATE INCL. GRIP
1.11	30006	PLUG PANEL TOP 2 TOP PIPES
1.12	4150211	UPOST WITH BOLT FOR GATE H1003 MM
1.13	29705HG	INN-O-FLEX STUD BOLT COMPLET
1.14	68598	NUT 14 MM SS



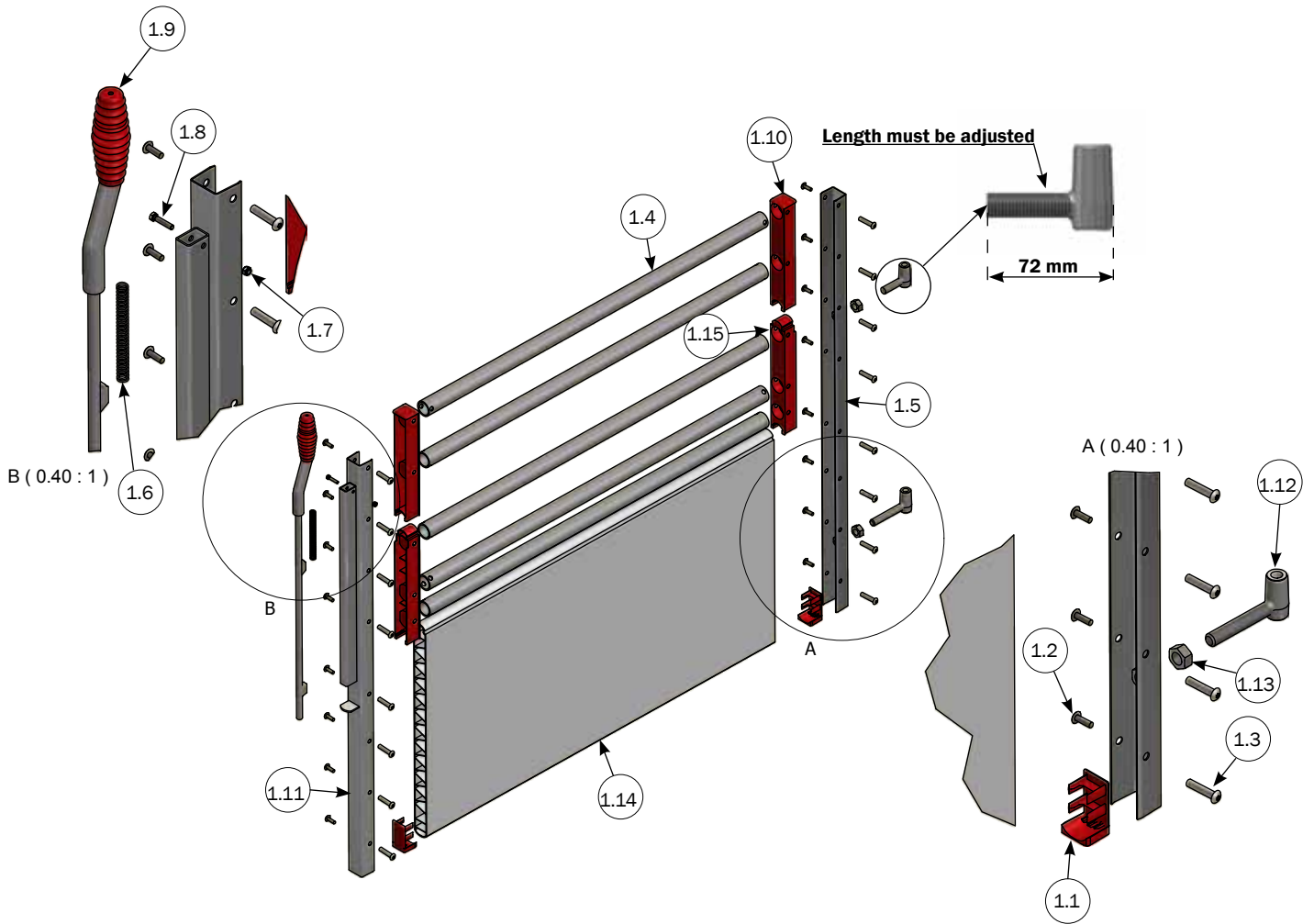
GATE FOR CLEAN-O-FLEX 1000 H110 1300 MM 2 BAR/BOARDPROFILE WITH PIN LOCK



NO.	ITEM NO.	DESCRIPTION
1	4210613	GATE H100 BOARDPROFILE/2 BAR 1300 MM WITH PIN LOCK
1.1	8140129	33.7 X 2.6 PIPE GALV. FOR GATE 1300 MM
1.2	4250532	UPOST FOR GATE WITH PIN LOCK
1.3	8460572	BOARDPROFILE 35X750 MM
1.4	30006	PLUG PANEL TOP 2 TOP PIPES
1.5	30013	PLUG PANEL BOTTOM 50 CM/75 CM PANEL
1.6	39106020	CONNECTION SCREW M6X20 STAINLESS TORX 30
1.7	39206037	SPLICING SLEEVE M6X37 STAINLESS TORX 30
1.8	9929004	COMPRESSION SPRING 1,6X12X115 MM
1.9	33905000	LOCK NUT M5 A2 DIN 985
1.10	30305025	SET SCREW M5X25 A2 DIN 933
1.11	4105183	PIN LOCK FOR GATE INCL. GRIP
1.12	4150211	UPOST WITH BOLT FOR GATE H1003 MM
1.13	29705HG	INN-O-FLEX STUD BOLT COMPLET
1.14	68598	NUT 14 MM SS



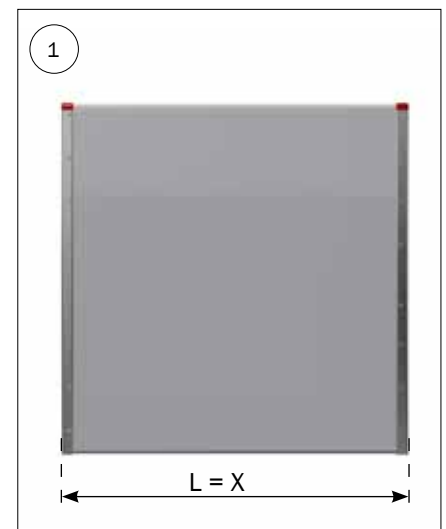
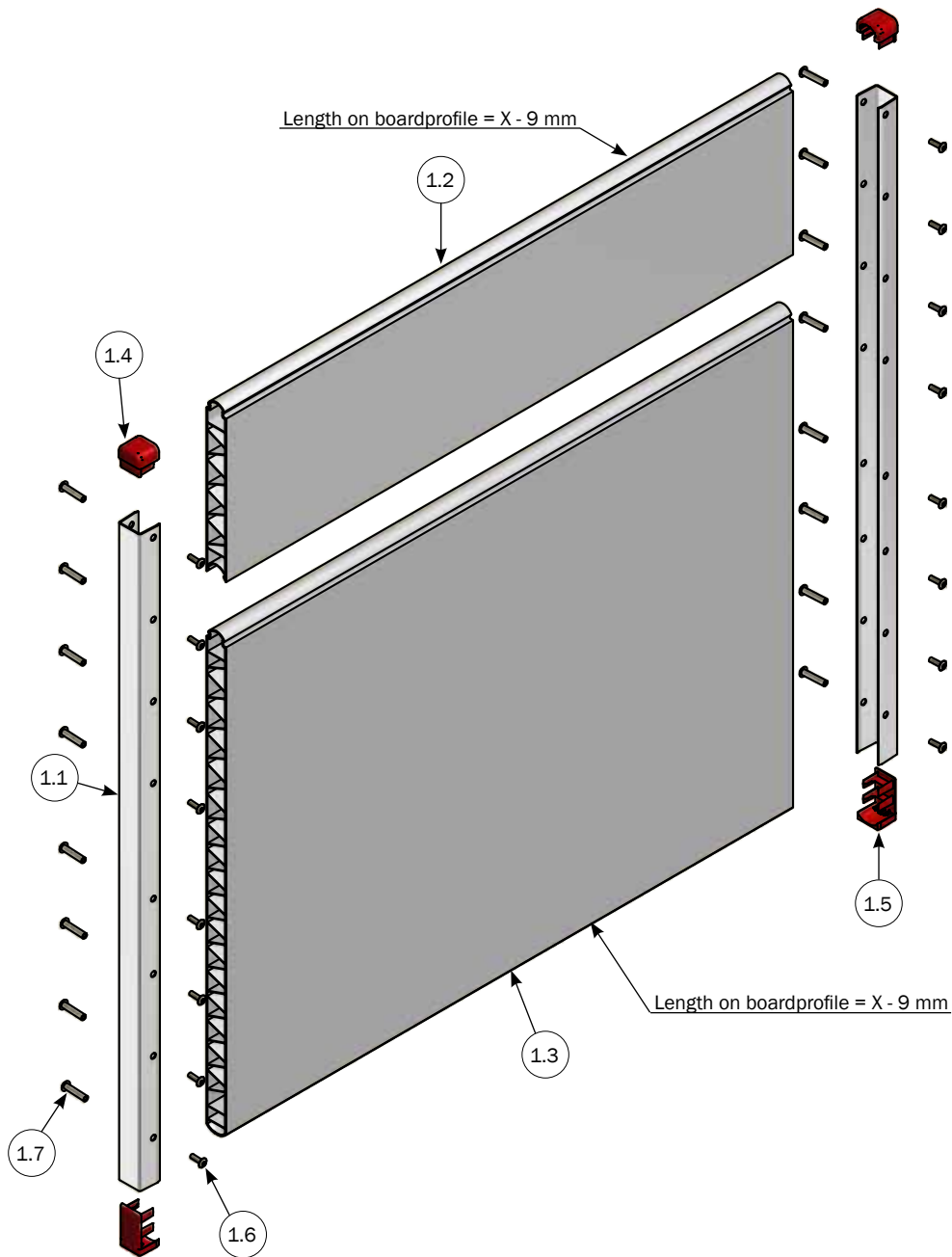
GATE FOR CLEAN-O-FLEX 1000 H110 300-1400 MM 5 BAR/BOARDPROFILE WITH PIN LOCK



NO.	ITEM NO.	DESCRIPTION
1	4210711	GATE H100 BOARDPROFILE/5 BAR 300-1400 MM WITH PIN LOCK
1.1	30013	PLUG PANEL BOTTOM 50 CM/75 CM PANEL
1.2	39106020	CONNECTION SCREW M6X20 STAINLESS TORX 30
1.3	39206037	SPLICING SLEEVE M6X37 STAINLESS TORX 30
1.4	112406	33.7 X 2.6 PIPE GALV. PRICE PER METER, LENGTH 6 METER
1.5	4250532	UPOST FOR GATE WITH PIN LOCK
1.6	9929004	COMPRESSION SPRING 1,6X12X115 MM
1.7	33905000	LOCK NUT M5 A2 DIN 985
1.8	30305025	SET SCREW M5X25 A2 DIN 933
1.9	4105183	PIN LOCK FOR GATE INCL. GRIP
1.10	30006	PLUG PANEL TOP 2 TOP PIPES
1.11	4150211	USTOLPE MED BOLT FOR LÅGE H1003 MM
1.12	29705HG	INN-O-FLEX STUD BOLT COMPLET
1.13	68598	NUT 14 MM SS
1.14	30102	BOARDPROFILE 35X500 MM SPEC. LENGTH PRICE PER METER
1.15	30016	PLUG 3 TOP PIPES



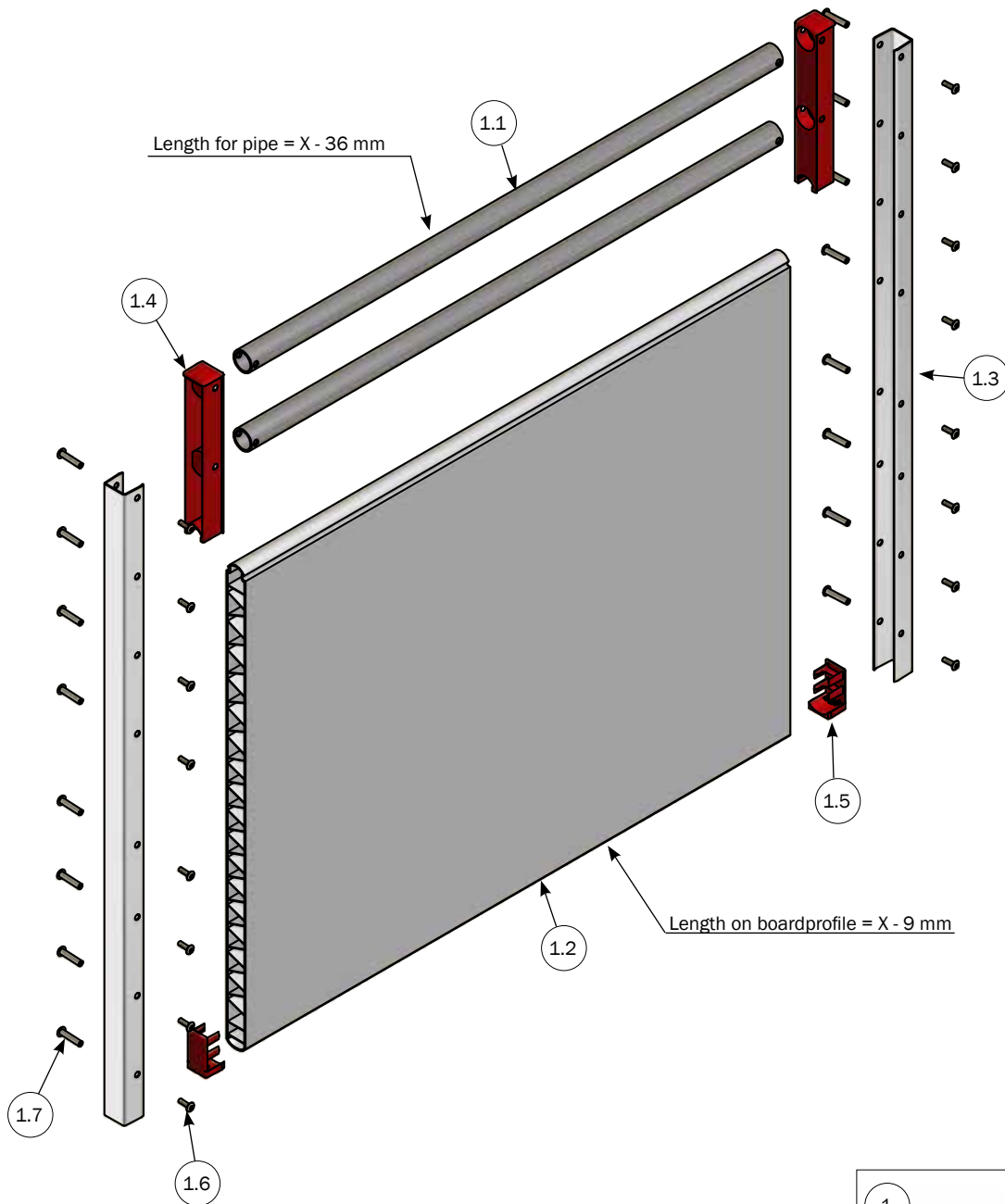
UNASSEMBLED PARTITION FOR CLEAN-O-FLEX 1000 BOARDPROFILE



PARTS LIST

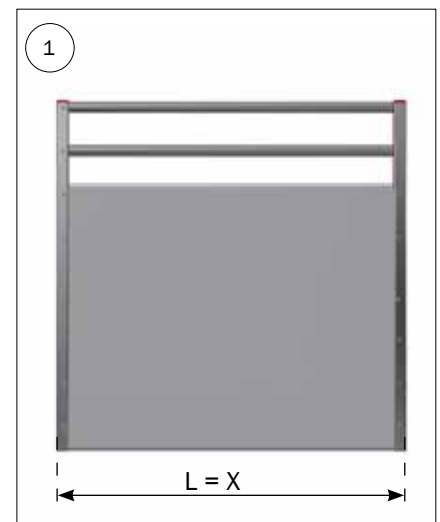
NO.	PCS.	ITEM NO.	DESCRIPTION
1	1	37300U	KIT FOR SIDE H100 BOARDPROFILE UPROFILE/UPROFILE
1.1	2	38731	CLEAN-O-FLEX® U-PROFILE H100
1.2	LBM	30099	BOARDPROFILE 35X250 MM SPEC. LENGTH PRICE PER METER
1.3	LBM	30105	BOARDPROFILE 35X750 MM SPEC. LENGTH PRICE PER METER
1.4	2	30001	PLUG PANEL TOP
1.5	2	30013	PLUG PANEL BOTTOM 50 CM/75 CM PANEL
1.6	16	39106020	CONNECTION SCREW M6X20 STAINLESS TORX 30
1.7	16	39206037	SPLICING SLEEVE M6X37 STAINLESS TORX 30

UNASSEMBLED PARTITION FOR CLEAN-O-FLEX 1000 2 BARS/BOARDPROFILE

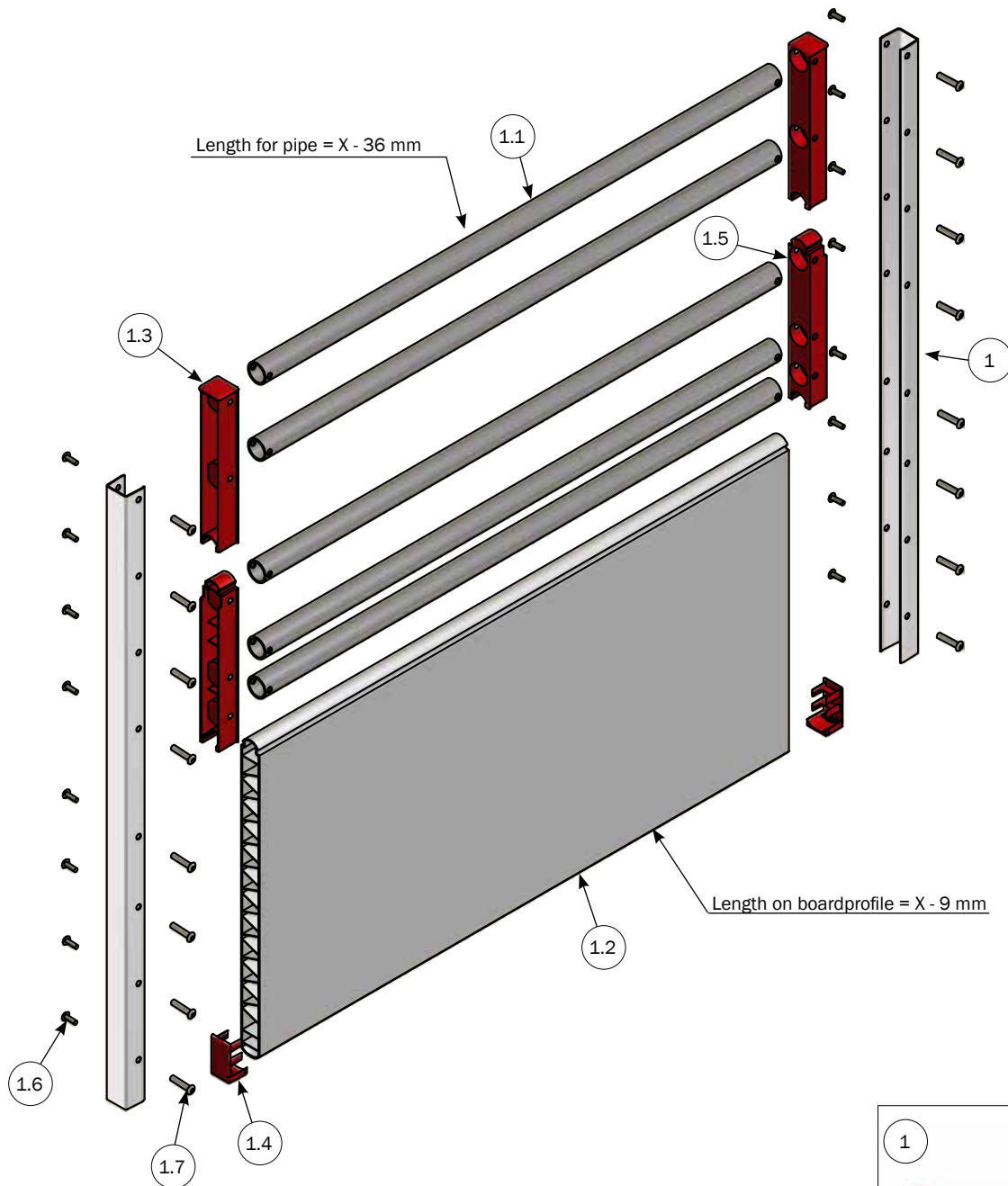


PARTS LIST

NO.	PCS.	ITEM NO.	DESCRIPTION
1	1	36400U	KIT FOR SIDE H100 BOARDPROFILE/2 BARS UPROFILE/UPROFILE
1.1	LBM	112406	33.7 X 2.6 PIPE GALV. PRICE PER METER, LENGTH 6 METER
1.2	LBM	30105	BOARDPROFILE 35X750 MM SPEC. LENGTH PRICE PER METER
1.3	2	38731	CLEAN-O-FLEX® U-PROFILE H100
1.4	2	30006	PLUG PANEL TOP 2 TOP PIPES
1.5	2	30013	PLUG PANEL BOTTOM 50 CM/75 CM PANEL
1.6	16	39106020	CONNECTION SCREW M6X20 STAINLESS TORX 30
1.7	16	39206037	SPLICING SLEEVE M6X37 STAINLESS TORX 30

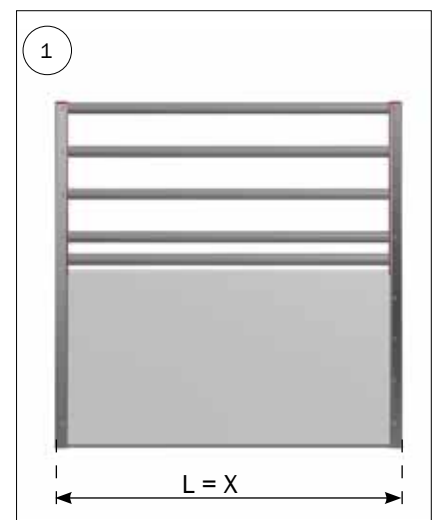


UNASSEMBLED PARTITION FOR CLEAN-O-FLEX 1000 5 BARS/BOARDPROFILE

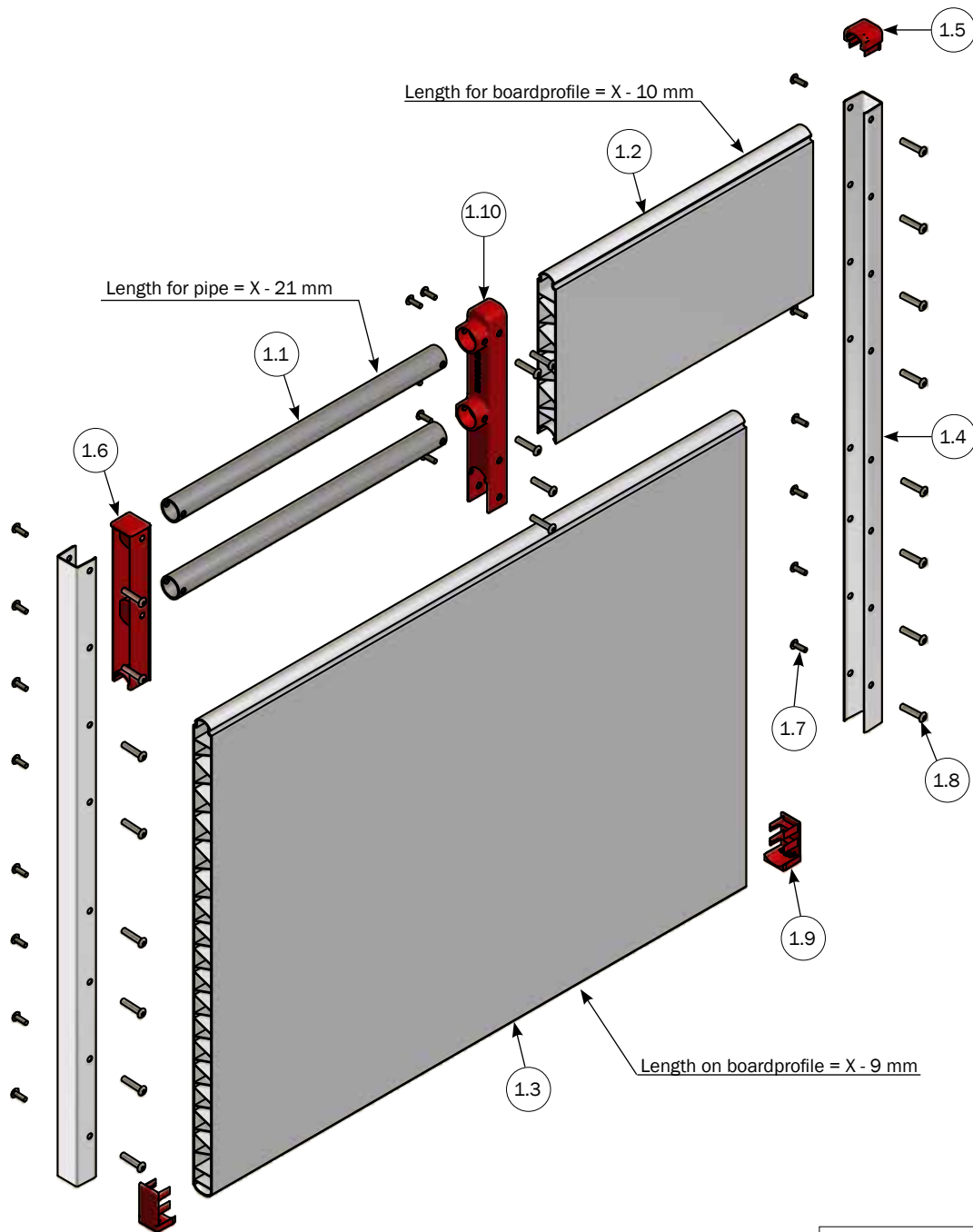


PARTS LIST

NO.	PCS.	ITEM NO.	DESCRIPTION
1	1	36407U	KIT FOR SIDE H100 BOARDPROFILE/5 BARSUPROFILE/UPROFILE
1.1	LBM	112406	33.7 X 2.6 PIPE GALV. PRICE PER METER, LENGTH 6 METER
1.2	LBM	30102	BOARDPROFILE 35X500 MM SPEC. LENGTH PRICE PER METER
1.3	2	30006	PLUG PANEL TOP 2 TOP PIPES
1.4	2	30013	PLUG PANEL BOTTOM 50 CM/75 CM PANEL
1.5	2	30016	PLUG 3 TOP PIPES
1.6	16	39106020	CONNECTION SCREW M6X20 STAINLESS TORX 30
1.7	16	39206037	SPLICING SLEEVE M6X37 STAINLESS TORX 30

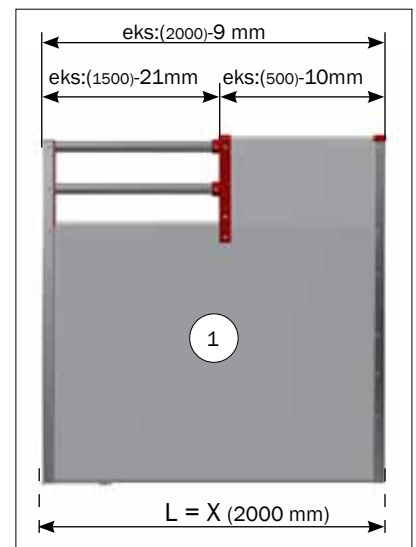


UNASSEMBLED FOR CLEAN-O-FLEX 1000 COMBI 2 BARS/BOARDPROFILE

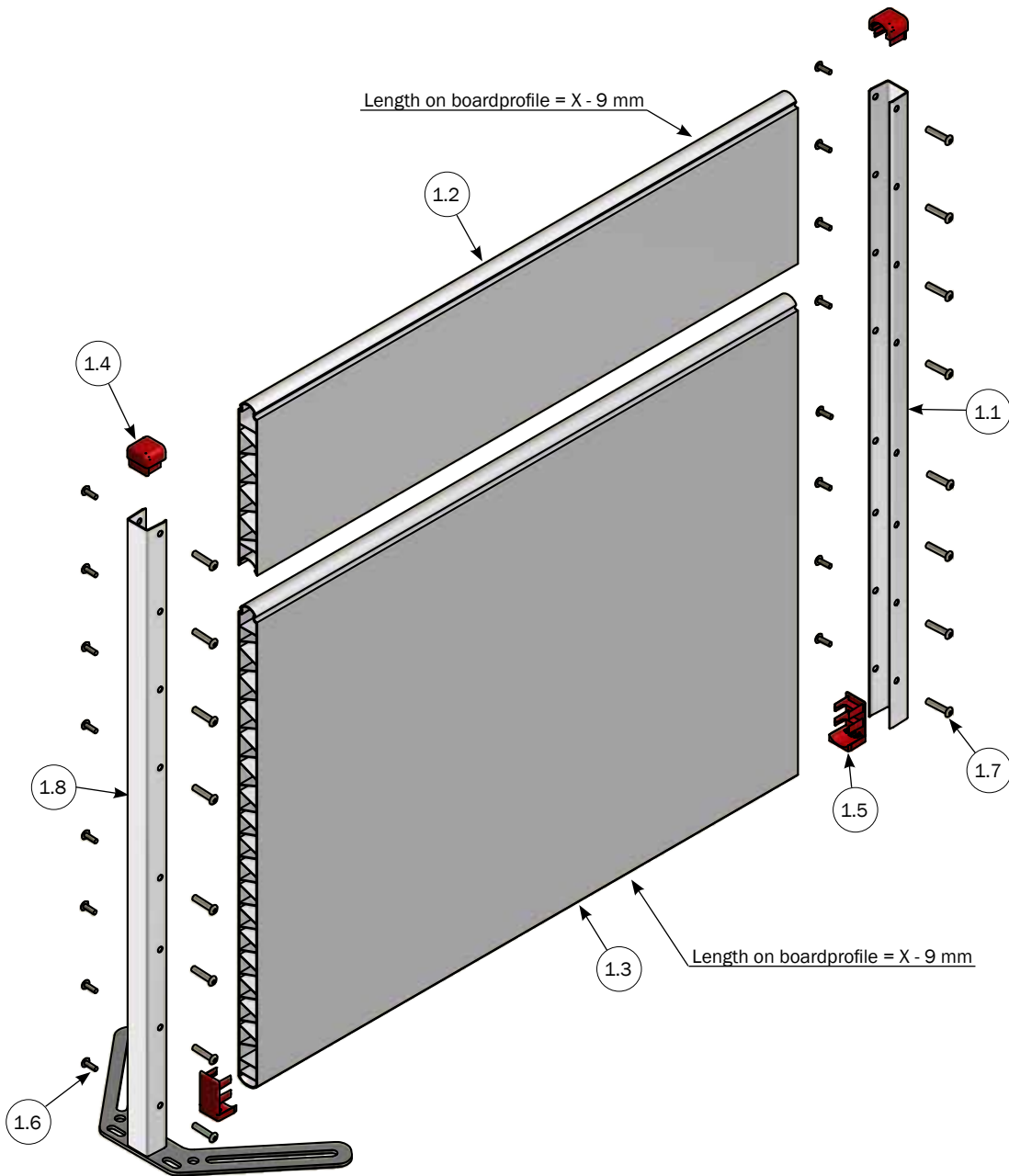


PARTS LIST

No.	PCS.	ITEM NO.	DESCRIPTION
1	1	36460U	KIT FOR SIDE H100 COMBI BOARDPROFILE/2 BARS UPROFILE/UPROFILE
1.1	LBM	112406	33.7 X 2.6 PIPE GALV. PRICE PER METER, LENGTH 6 METER
1.2	LBM	30099	BOARDPROFILE 35X250 MM SPEC. LENGTH PRICE PER METER
1.3	LBM	30105	BOARDPROFILE 35X750 MM SPEC. LENGTH PRICE PER METER
1.4	2	38731	CLEAN-O-FLEX® U-PROFILE H100
1.5	1	30001	PLUG PANEL TOP
1.6	1	30006	PLUG PANEL TOP 2 TOP PIPES
1.7	21	39106020	CONNECTION SCREW M6X20 STAINLESS TORX 30
1.8	21	39206037	SPLICING SLEEVE M6X37 STAINLESS TORX 30
1.9	2	30013	PLUG PANEL BOTTOM 50 CM/75 CM PANEL
1.10	1	8500402	PLUG PANEL 2 TOPPIPES COMBI



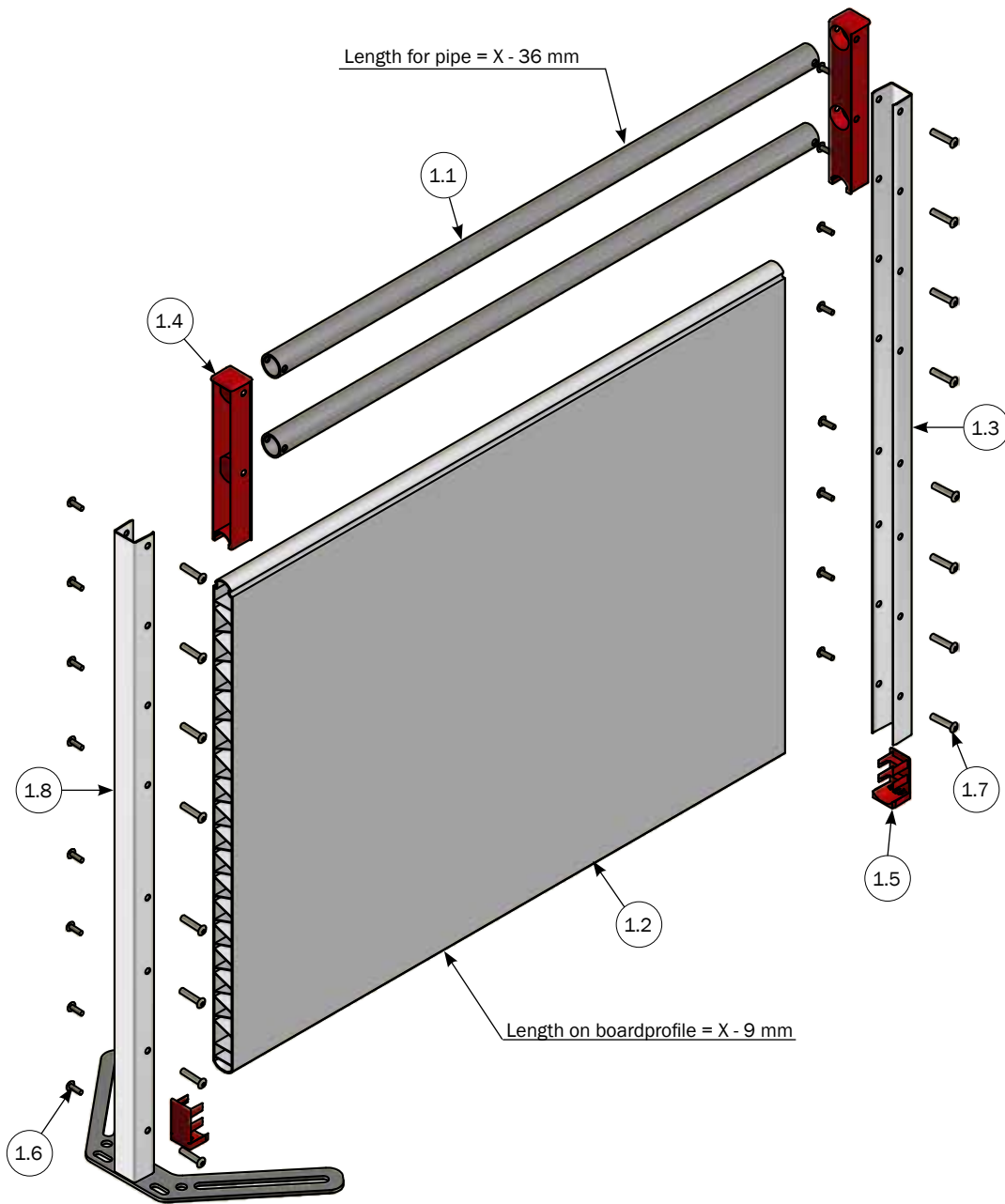
UNASSEMBLED PARTITION FOR CLEAN-O-FLEX 1000 BOARDPROFILE



PARTS LIST

NO.	PCS.	ITEM NO.	DESCRIPTION
1	1	4210502U	KIT FOR SIDE H100 BOARDPROFILE POST/UPOFILE
1.1	1	38731	CLEAN-O-FLEX® U-PROFILE H100
1.2	LBM	30099	BOARDPROFILE 35X250 MM SPEC. LENGTH PRICE PER METER
1.3	LBM	30105	BOARDPROFILE 35X750 MM SPEC. LENGTH PRICE PER METER
1.4	2	30001	PLUG PANEL TOP
1.5	2	30013	PLUG PANEL BOTTOM 50 CM/75 CM PANEL
1.6	16	39106020	CONNECTION SCREW M6X20 STAINLESS TORX 30
1.7	16	39206037	SPLICING SLEEVE M6X37 STAINLESS TORX 30
1.8	1	4250006	POST FOR CLEAN-O-FLEX H1000

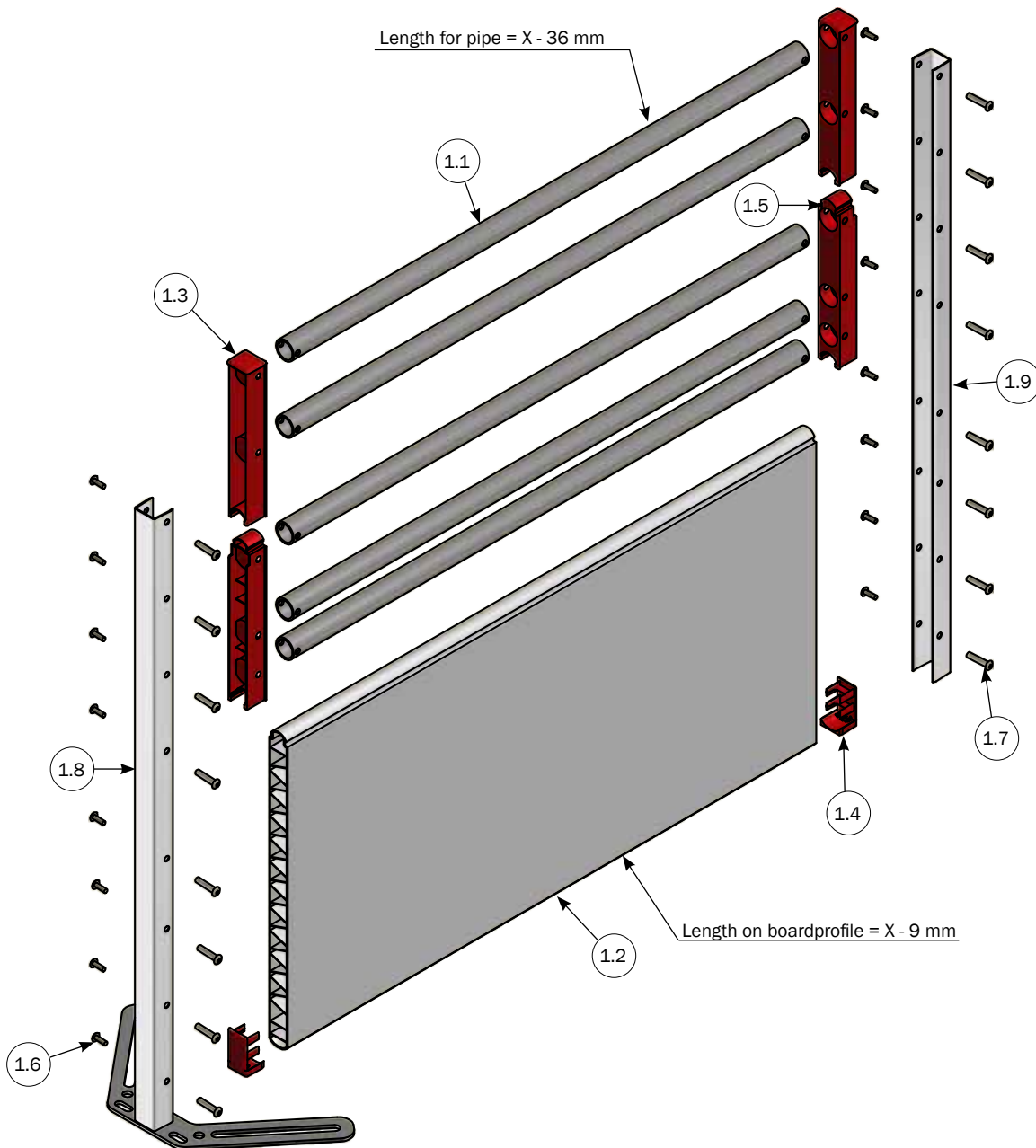
UNASSEMBLED PARTITION FOR CLEAN-O-FLEX 1000 2 BARS/BOARDPROFILE



PARTS LIST

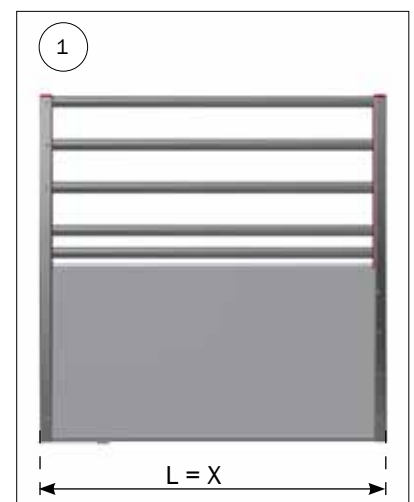
NO.	PCS.	ITEM NO.	DESCRIPTION
1	1	4210500U	KIT FOR SIDE H100 BOARDPROFILE/2 BARSPOST/UPROFILE
1.1	LBM	112406	33.7 X 2.6 PIPE GALV. PRICE PER METER, LENGTH 6 METER
1.2	LBM	30105	BOARDPROFILE 35X750 MM SPEC. LENGTH PRICE PER METER
1.3	1	38731	CLEAN-O-FLEX® U-PROFILE H100
1.4	2	30006	PLUG PANEL TOP 2 TOP PIPES
1.5	2	30013	PLUG PANEL BOTTOM 50 CM/75 CM PANEL
1.6	16	39106020	CONNECTION SCREW M6X20 STAINLESS TORX 30
1.7	16	39206037	SPLICING SLEEVE M6X37 STAINLESS TORX 30
1.8	1	4250006	POST FOR CLEAN-O-FLEX H1000

UNASSEMBLED PARTITION FOR CLEAN-O-FLEX 1000 BOARDPROFILE/5 BARS

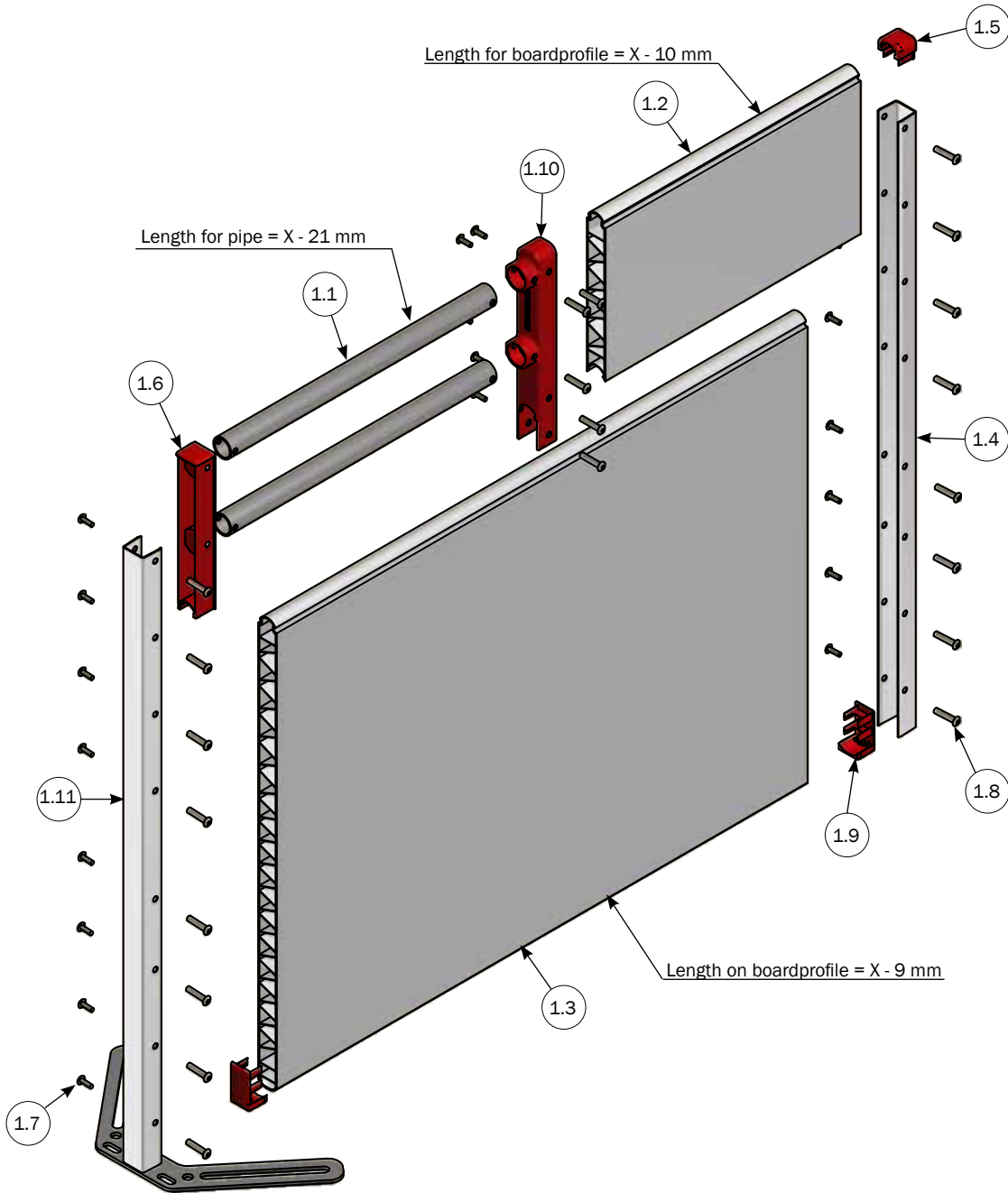


PARTS LIST

NO.	PCS.	ITEM NO.	DESCRIPTION
1	1	4210501U	KIT FOR SIDE H100 BOARDPROFILE/5 BARSPOST/UPROFILE
1.1	LBM	112406	33.7 X 2.6 PIPE GALV. PRICE PER METER, LENGTH 6 METER
1.2	LBM	30102	BOARDPROFILE 35X500 MM SPEC. LENGTH PRICE PER METER
1.3	2	30006	PLUG PANEL TOP 2 TOP PIPES
1.4	2	30013	PLUG PANEL BOTTOM 50 CM/75 CM PANEL
1.5	2	30016	PLUG 3 TOP PIPES
1.6	16	39106020	CONNECTION SCREW M6X20 STAINLESS TORX 30
1.7	16	39206037	SPLICING SLEEVE M6X37 STAINLESS TORX 30
1.8	1	4250006	POST FOR CLEAN-O-FLEX H1000
1.9	1	38731	CLEAN-O-FLEX® U-PROFILE H100

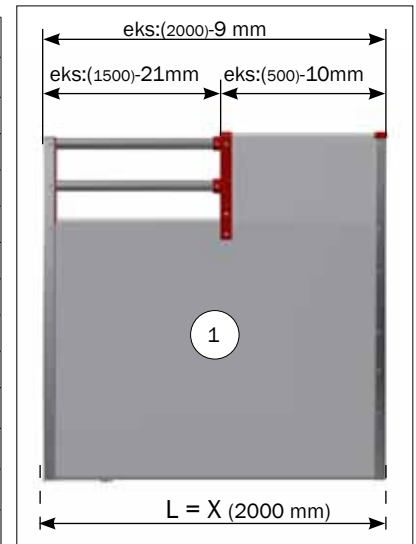


UNASSEMBLED PARTITION FOR CLEAN-O-FLEX 1000 H110 COMBI BOARDPROFILE/2 BARS

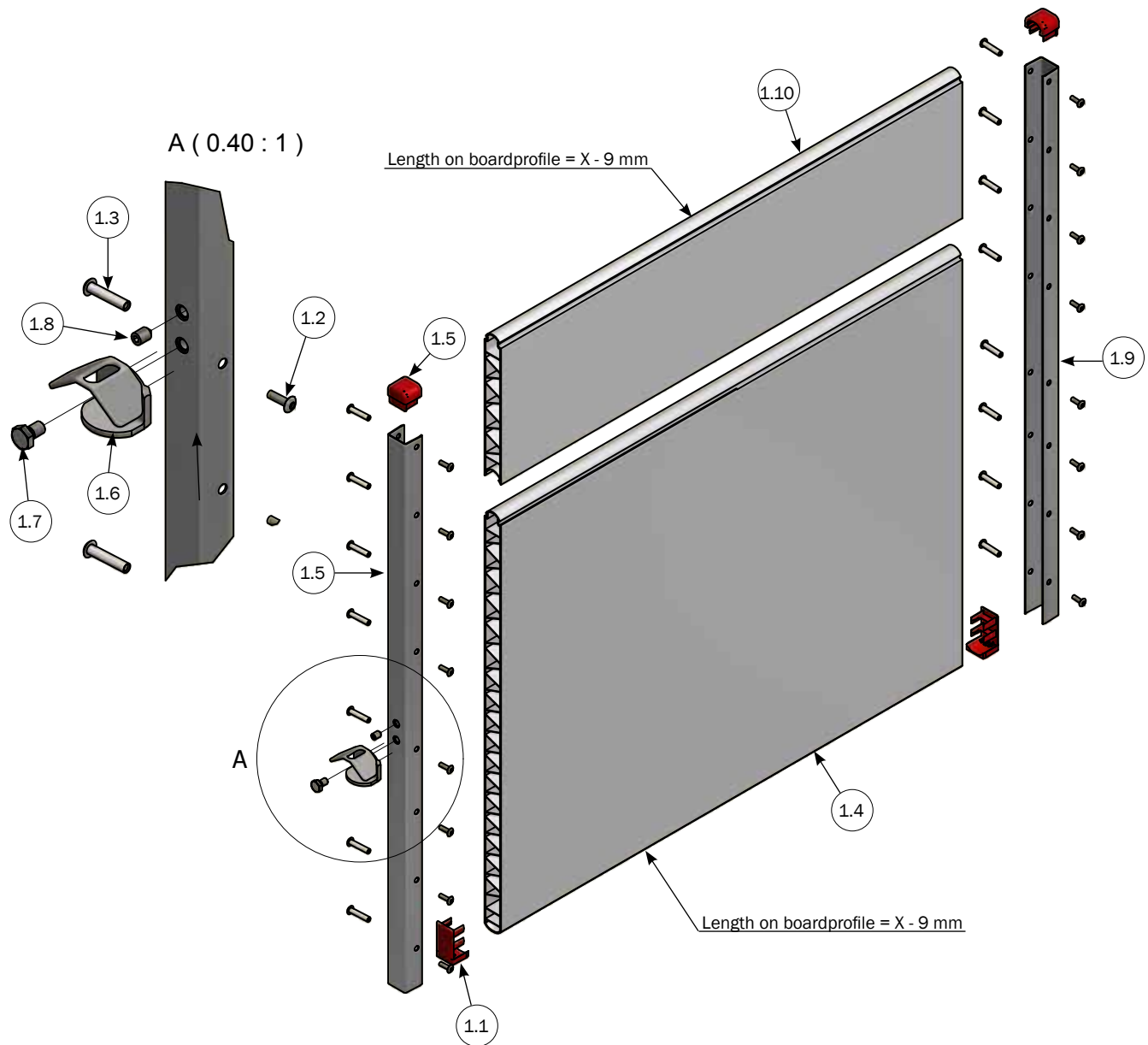


PARTS LIST

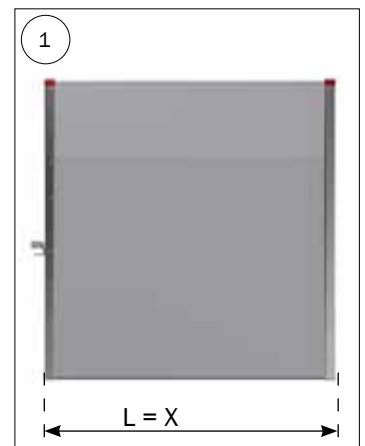
NO.	PCS.	ITEM NO.	DESCRIPTION
1	1	4210503U	KIT FOR SIDE H100 COMBI BOARDPROFILE/2 BARS POST/UPROFILE
1.1	LBM	112406	33.7 X 2.6 PIPE GALV. PRICE PER METER, LENGTH 6 METER
1.2	LBM	30099	BOARDPROFILE 35X250 MM SPEC. LENGTH PRICE PER METER
1.3	LBM	30105	BOARDPROFILE 35X750 MM SPEC. LENGTH PRICE PER METER
1.4	1	38731	CLEAN-O-FLEX® U-PROFILE H100
1.5	1	30001	PLUG PANEL TOP
1.6	1	30006	PLUG PANEL TOP 2 TOP PIPES
1.7	21	39106020	CONNECTION SCREW M6X20 STAINLESS TORX 30
1.8	21	39206037	SPLICING SLEEVE M6X37 STAINLESS TORX 30
1.9	2	30013	PLUG PANEL BOTTOM 50 CM/75 CM PANEL
1.10	1	8500402	PLUG PANEL 2 TOPPIPES COMBI
1.11	1	4250006	POST FOR CLEAN-O-FLEX H1000



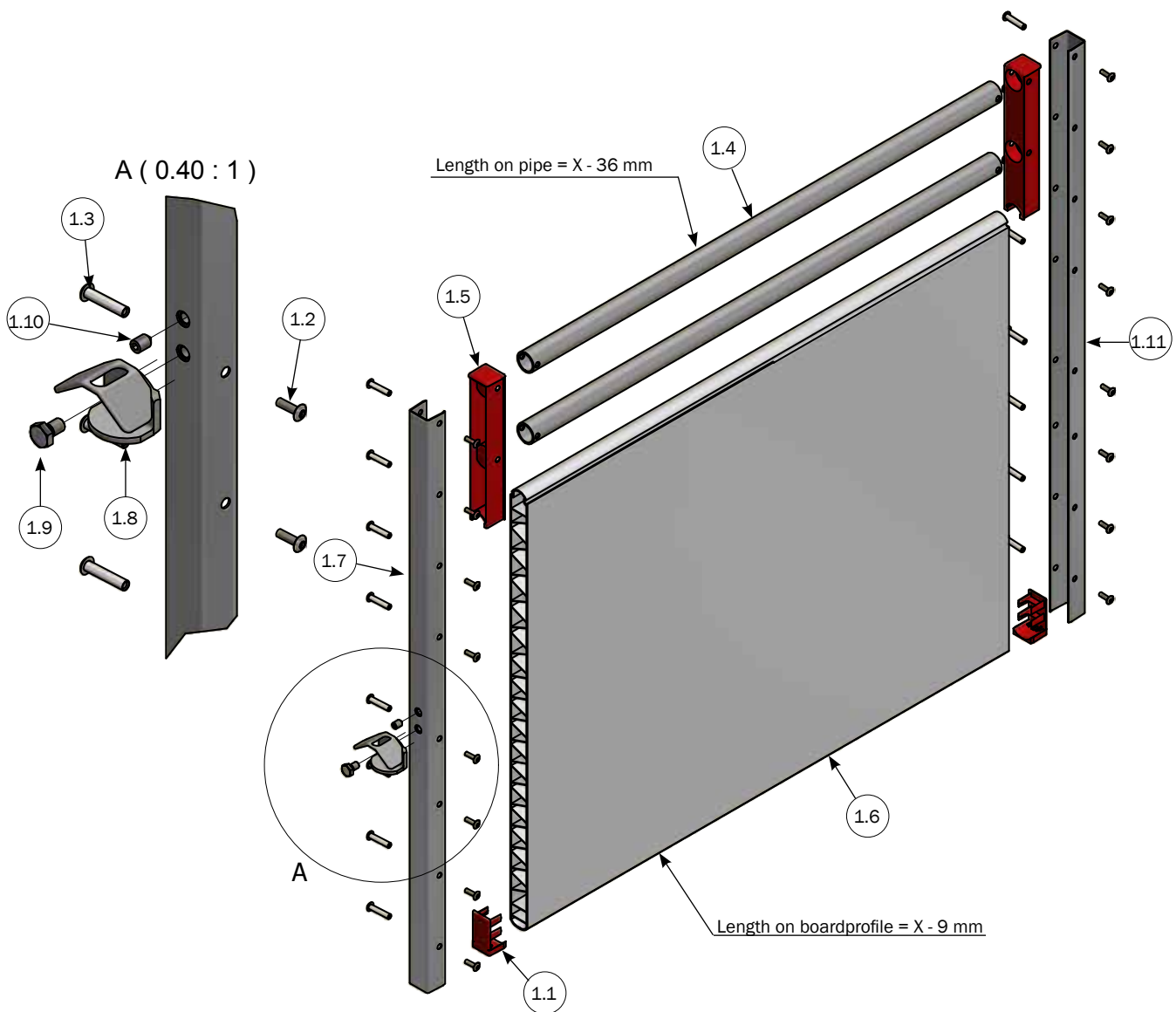
UNASSEMBLED FRONT PART H100 BOARDPROFILE UPROFILE/DROP LATCH UPROFILE



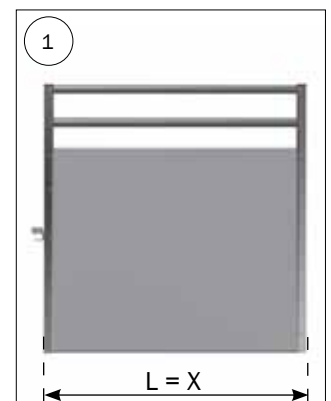
PARTS LIST			
NO.	PCS.	ITEM NO.	DESCRIPTION
1	1	4210824U	UNASSEMBLED FRONT PART H100 BOARDPROFILE/DROP LATCH UPROFILE
1.1	2	30013	PLUG PANEL BOTTOM 50 CM/75 CM PANEL
1.2	16	39106020	CONNECTION SCREW M6X20 STAINLESS TORX 30
1.3	16	39206037	SPLICING SLEEVE M6X37 STAINLESS TORX 30
1.4	LBM	30105	BOARDPROFILE 35X750 MM SPEC. LENGTH PRICE PER METER
1.5	1	4250534	U-POST WITH BOLT, WITH OUT FOUNDATION
1.6	1	1915043	DROP LATCH 40 MM.
1.7	1	30310016	SET SCREW M10X16 A2 DIN 933
1.8	1	38310016	POINTED SCREW M10X16 W/POINT A2 DIN 914
1.9	1	38731	CLEAN-O-FLEX® U-PROFILE H100
1.10	LBM	30099	BOARDPROFILE 35X250 MM SPEC. LENGTH PRICE PER METER
1.11	2	30001	PLUG PANEL TOP



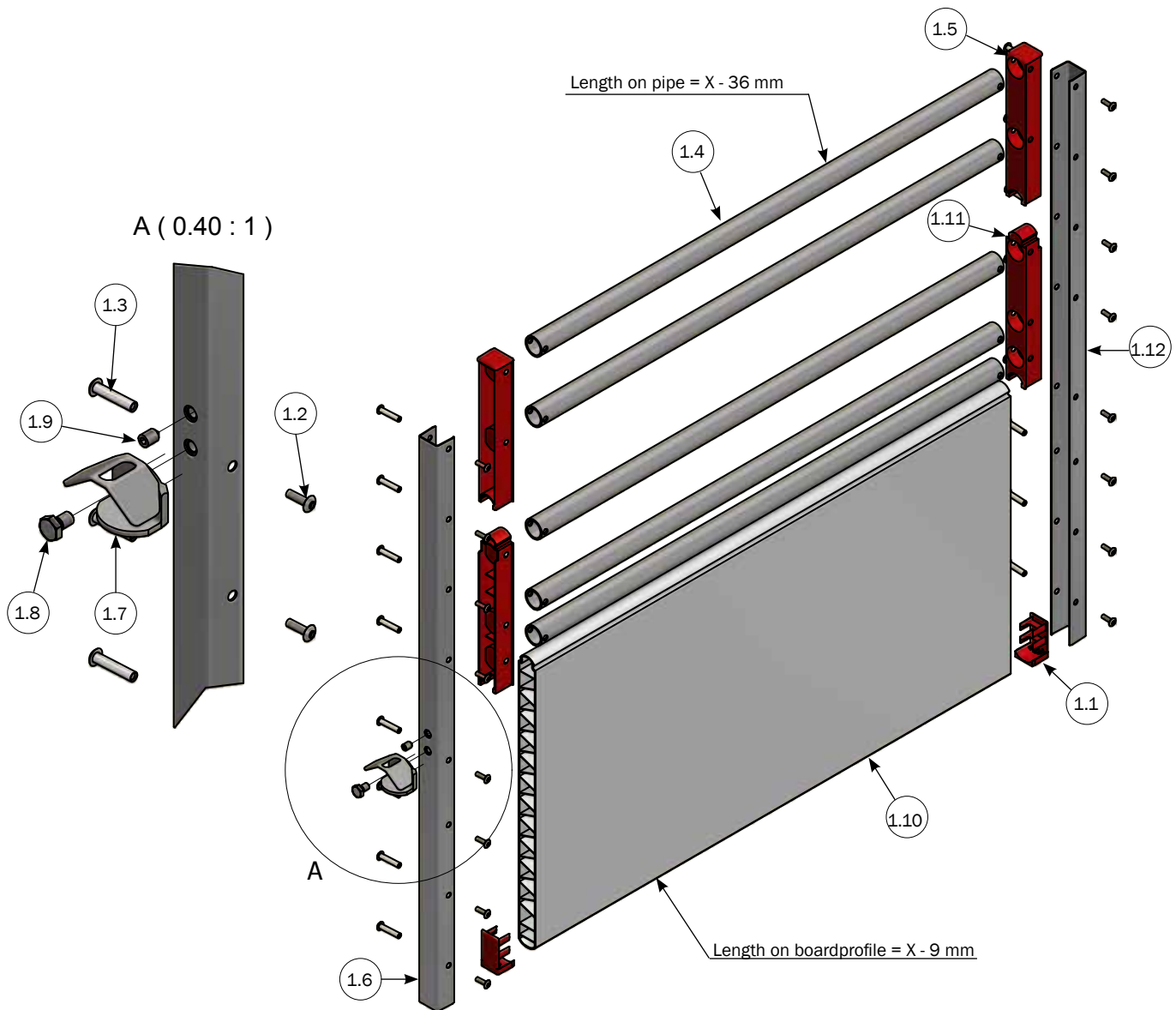
UNASSEMBLED FRONT PART FOR CLEAN-O-FLEX 1000 BOARDPROFILE/2 BARS/DROP LATCH UPROFILE



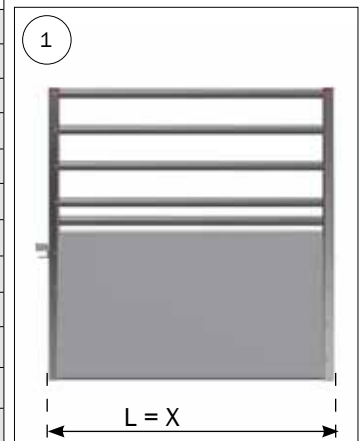
PARTS LIST			
NO.	PCS.	ITEM NO.	DESCRIPTION
1	1	4210604U	UNASSEMBLED FRONT PART H100 BOARDPROFILE/2 BARS DROP LATCH UPROFILE
1.1	2	30013	PLUG PANEL BOTTOM 50 CM/75 CM PANEL
1.2	16	39106020	CONNECTION SCREW M6X20 STAINLESS TORX 30
1.3	16	39206037	SPLICING SLEEVE M6X37 STAINLESS TORX 30
1.4	LBM	112406	33.7 X 2.6 PIPE GALV. PRICE PER METER, LENGTH 6 METER
1.5	2	30006	PLUG PANEL TOP 2 TOP PIPES
1.6	LBM	30105	BOARDPROFILE 35X750 MM SPEC. LENGTH PRICE PER METER
1.7	1	4250534	U-POST WITH BOLT, WITH OUT FOUNDATION
1.8	1	1915043	DROP LATCH 40 MM.
1.9	1	30310016	SET SCREW M10X16 A2 DIN 933
1.10	1	38310016	POINTED SCREW M10X16 W/POINT A2 DIN 914
1.11	1	38731	CLEAN-O-FLEX® U-PROFILE H100



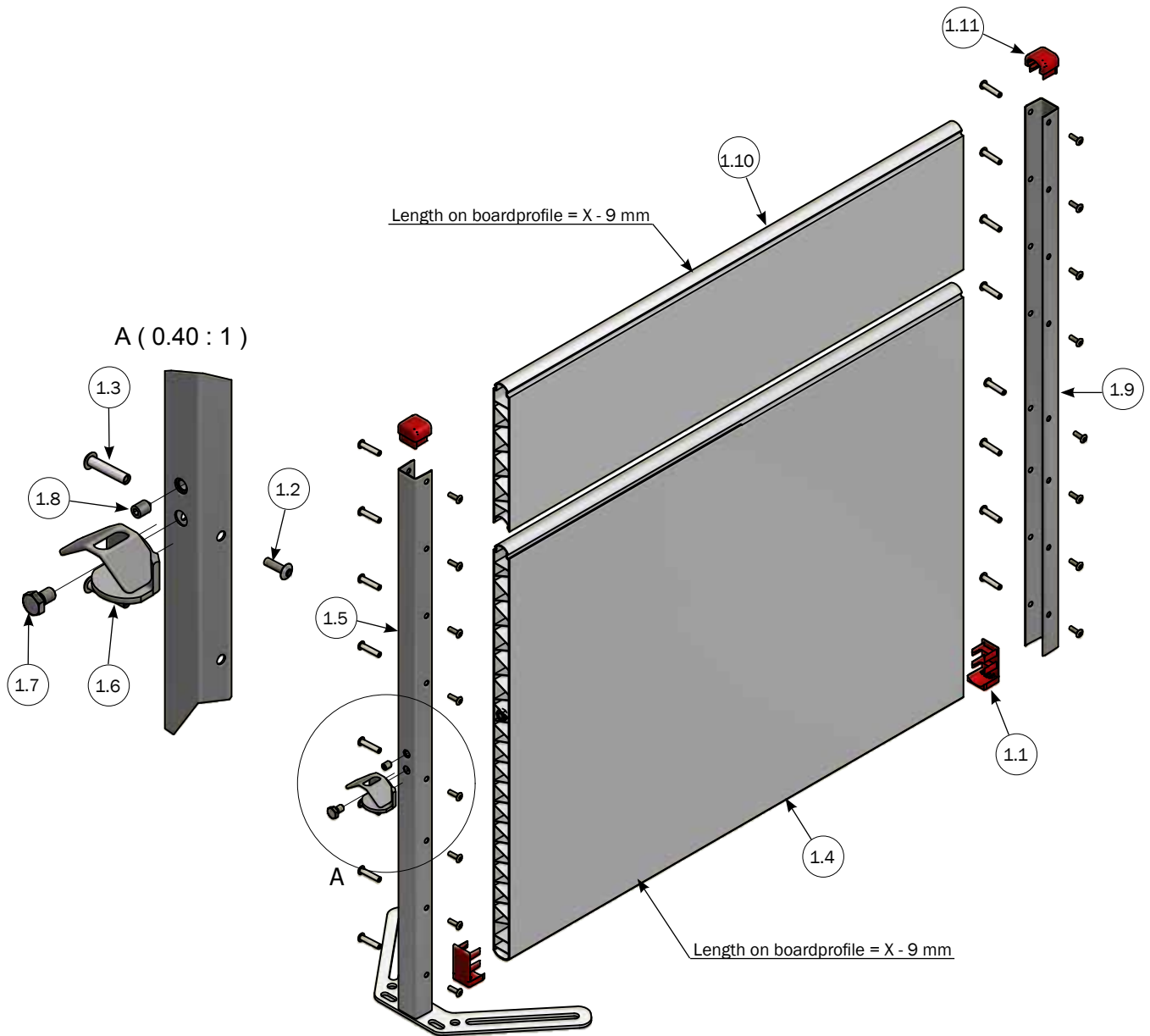
UNASSEMBLED FRONT PART FOR CLEAN-O-FLEX 1000 BOARDPROFILE/5 BARS/DROP LATCH UPROFILE



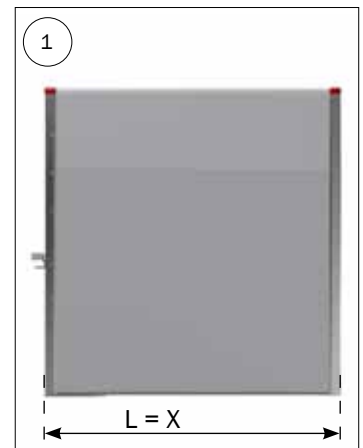
PARTS LIST			
NO.	PCS.	ITEM NO.	DESCRIPTION
1	1	4210724U	UNASSEMBLED FRONT PART H100 BOARDPROFILE/5 BARS/DROP LATCH UPROFILE
1.1	2	30013	PLUG PANEL BOTTOM 50 CM/75 CM PANEL
1.2	16	39106020	CONNECTION SCREW M6X20 STAINLESS TORX 30
1.3	16	39206037	SPLICING SLEEVE M6X37 STAINLESS TORX 30
1.4	LBM	112406	33.7 X 2.6 PIPE GALV. PRICE PER METER, LENGTH 6 METER
1.5	2	30006	PLUG PANEL TOP 2 TOP PIPES
1.6	1	4250534	U-PROFILE WITH BOLT, WITH OUT FOUNDATION
1.7	1	1915043	DROP LATCH 40 MM.
1.8	1	30310016	SET SCREW M10X16 A2 DIN 933
1.9	1	38310016	POINTED SCREW M10X16 W/POINT A2 DIN 914
1.10	LBM	30102	BOARDPROFILE 35X500 MM SPEC. LENGTH PRICE PER METER
1.11	2	30016	PLUG 3 TOP PIPES
1.12	1	38731	CLEAN-O-FLEX® U-PROFILE H100



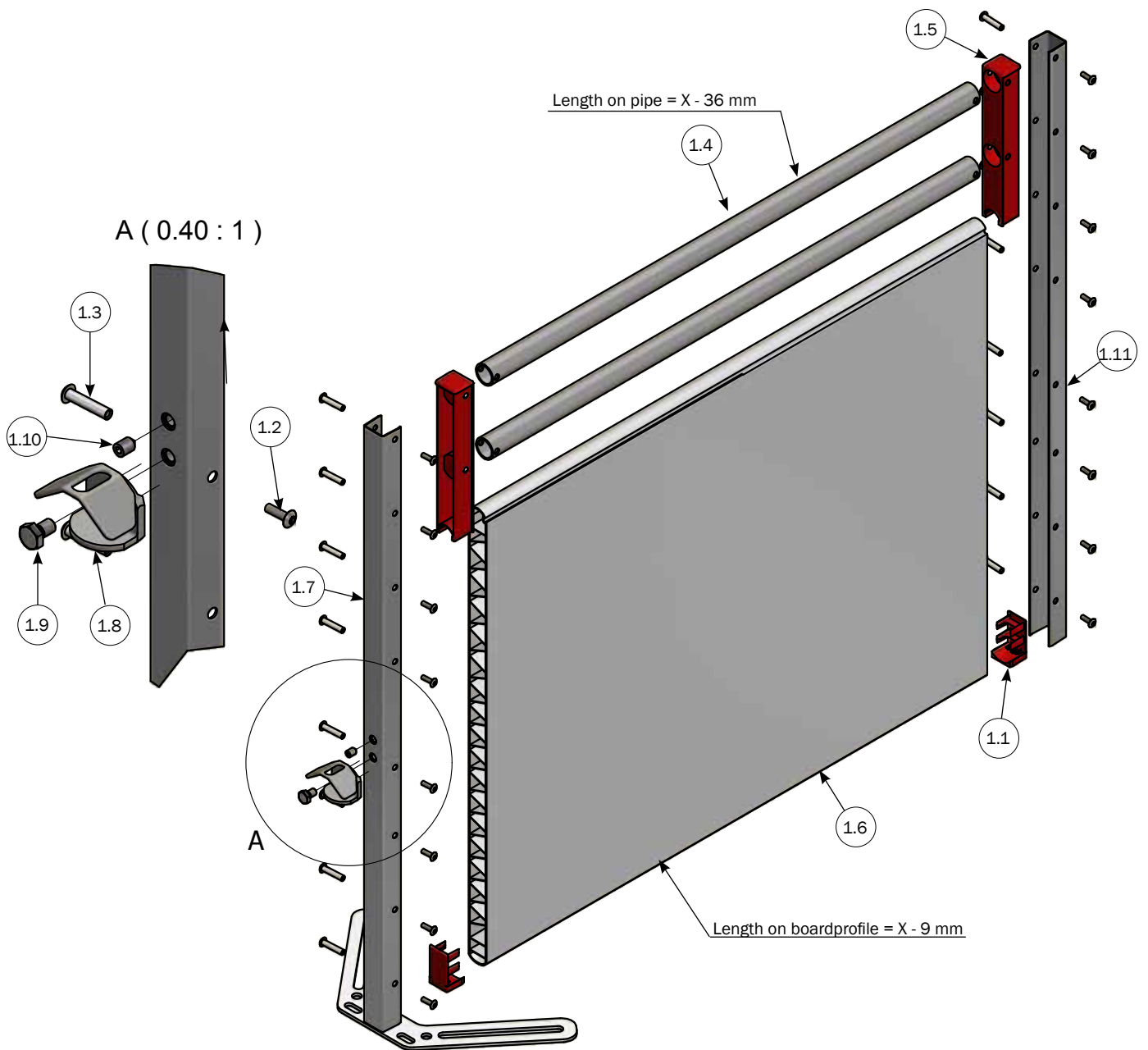
UNASSEMBLED POST/DROP LATCH U-PROFILE FOR CLEAN-O-FLEX 1000 BOARDPROFILE



PARTS LIST			
NO.	PCS.	ITEM NO.	DESCRIPTION
1	1	4210822U	UNASSEMBLED FRONT PART H100 BOARDPROFILE/DROP LATCH UPROFILE
1.1	16	30013	PLUG PANEL BOTTOM 50 CM/75 CM PANEL
1.2	16	39106020	CONNECTION SCREW M6X20 STAINLESS TORX 30
1.3	1	39206037	SPLICING SLEEVE M6X37 STAINLESS TORX 30
1.4	LBM	30105	BOARDPROFILE 35X750 MM SPEC. LENGTH PRICE PER METER
1.5	1	4150052	U-POST WITH BOLT, FOR DROP LATCH
1.6	1	1915043	DROP LATCH 40 MM.
1.7	1	30310016	SET SCREW M10X16 A2 DIN 933
1.8	1	38310016	POINTED SCREW M10X16 W/POINT A2 DIN 914
1.9	1	38731	CLEAN-O-FLEX® U-PROFILE H100
1.10	LBM	30099	BOARDPROFILE 35X250 MM SPEC. LENGTH PRICE PER METER
1.11	2	30001	PLUG PANEL TOP



UNASSEMBLED FRONT PART WITH DROP LATCH FOR CLEAN-O-FLEX 1000 BOARDPROFILE/2 BARS

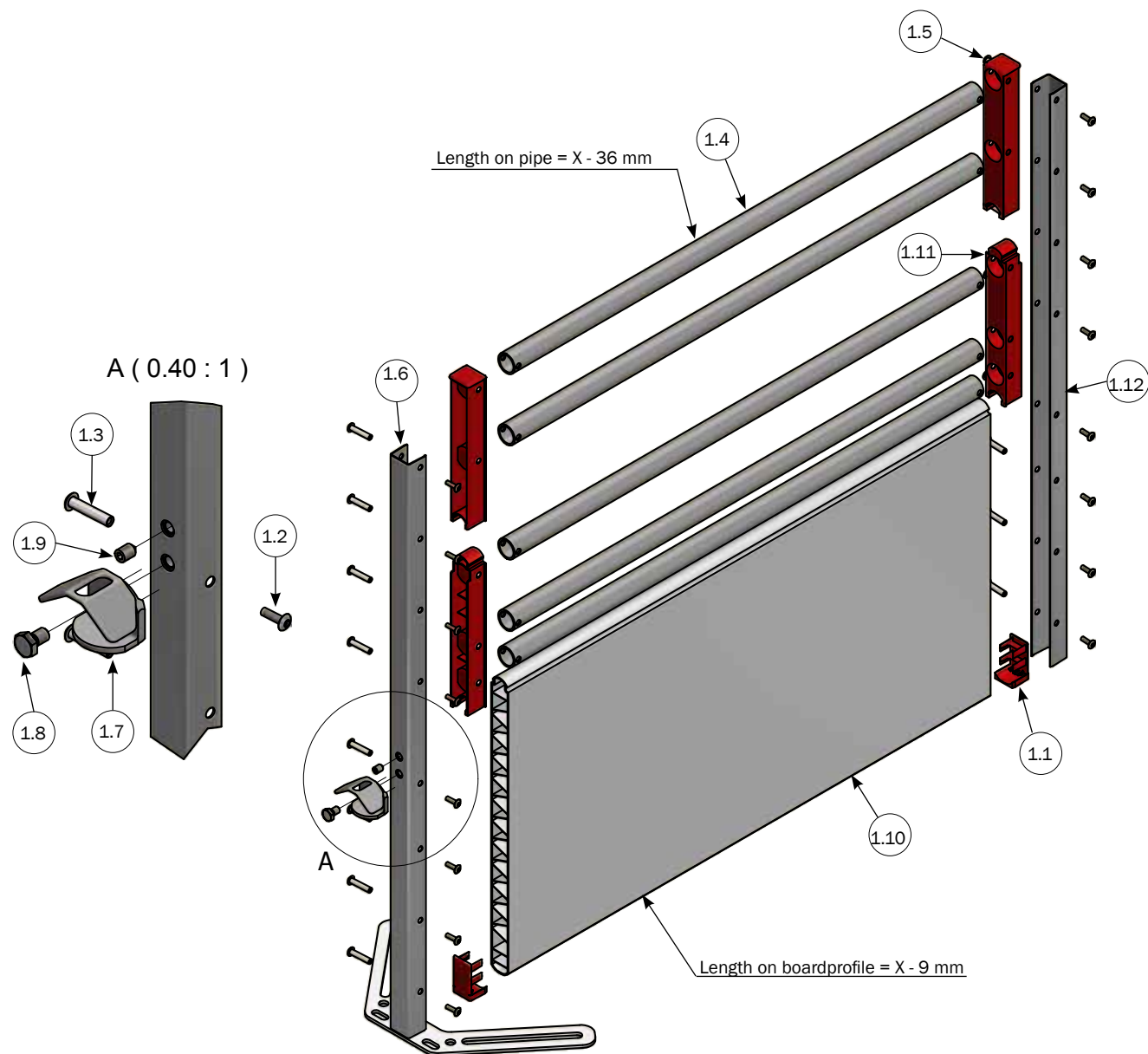


PARTS LIST

NO.	PCS.	ITEM NO.	DESCRIPTION
1	1	4210602U	UNASSEMBLED FRONT PART H100 BOARDPROFILE/2 BARS/DROP LATCH UPROFILE
1.1	2	30013	PLUG PANEL BOTTOM 50 CM/75 CM PANEL
1.2	16	39106020	CONNECTION SCREW M6X20 STAINLESS TORX 30
1.3	16	39206037	SPLICING SLEEVE M6X37 STAINLESS TORX 30
1.4	LBM	112406	33.7 X 2.6 PIPE GALV. PRICE PER METER, LENGTH 6 METER
1.5	2	30006	PLUG PANEL TOP 2 TOP PIPES
1.6	LBM	30105	BOARDPROFILE 35X750 MM SPEC. LENGTH PRICE PER METER
1.7	1	4150052	U-POST WITH BOLT, FOR DROP LATCH
1.8	1	1915043	DROP LATCH 40 MM.
1.9	1	30310016	SET SCREW M10X16 A2 DIN 933
1.10	1	38310016	POINTED SCREW M10X16 W/POINT A2 DIN 914
1.11	1	38731	CLEAN-O-FLEX® U-PROFILE H100



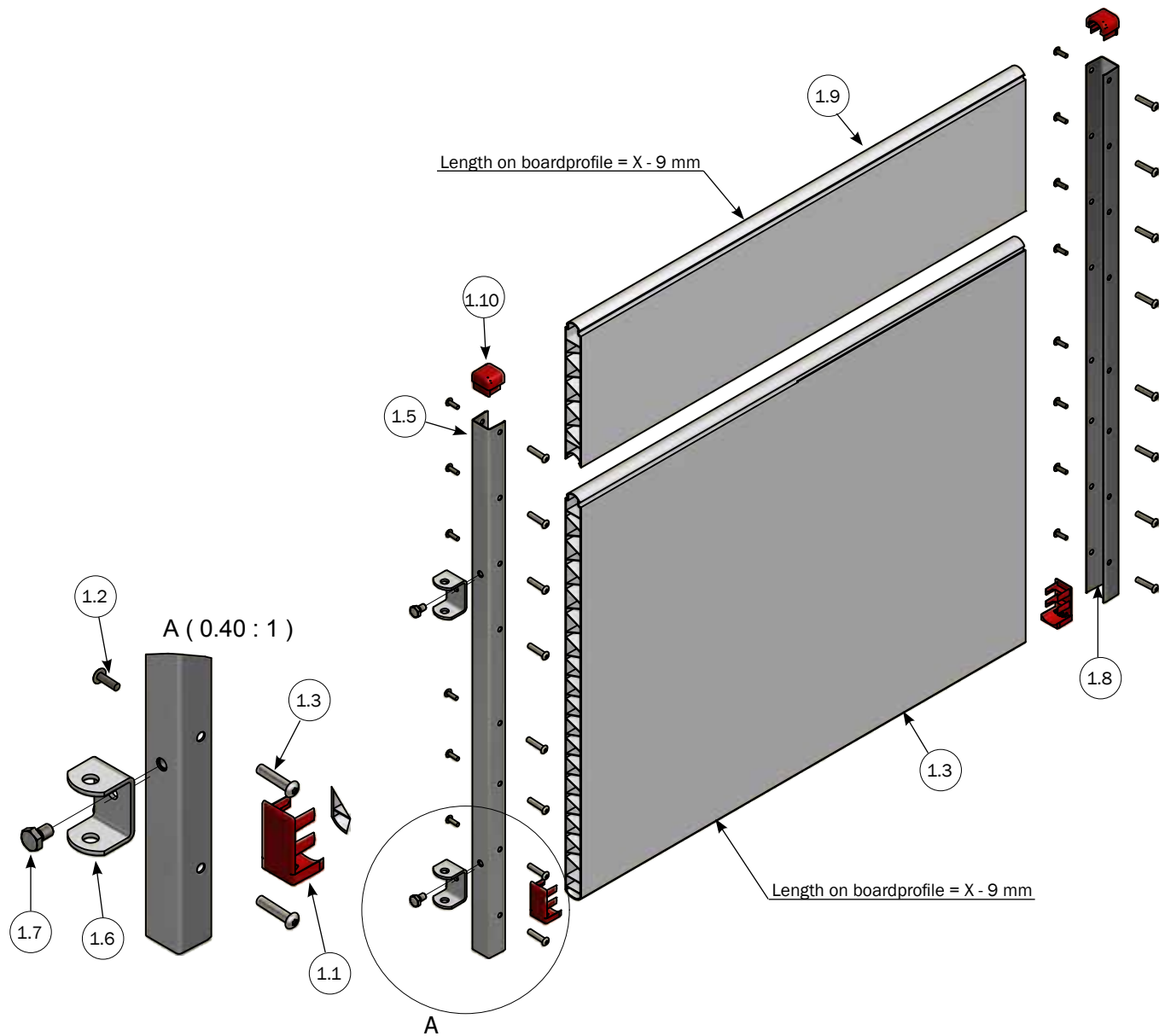
UNASSEMBLED FRONT PART WITH DROP LATCH FOR CLEAN-O-FLEX 1000 BOARDPROFILE/5 BARS



PARTS LIST			
NO.	PCS.	ITEM NO.	DESCRIPTION
1	1	4210722U	UNASSEMBLED FRONT PART H100 BOARDPROFILE/5 BARS/DROP LATCH UPROFILE
1.1	2	30013	PLUG PANEL BOTTOM 50 CM/75 CM PANEL
1.2	16	39106020	CONNECTION SCREW M6X20 STAINLESS TORX 30
1.3	16	39206037	SPLICING SLEEVE M6X37 STAINLESS TORX 30
1.4	LBM	112406	33.7 X 2.65 PIPE GALV. PRICE PER METER, LENGTH 6 METER
1.5	2	30006	PLUG PANEL TOP 2 TOP PIPES
1.6	1	4150052	U-POST WITH BOLT, FOR DROP LATCH
1.7	1	1915043	DROP LATCH 40 MM.
1.8	1	30310016	SET SCREW M10X16 A2 DIN 933
1.9	1	38310016	POINTED SCREW M10X16 W/POINT A2 DIN 914
1.10	LBM	30102	BOARDPROFILE 35X500 MM SPEC. LENGTH PRICE PER METER
1.11	2	30016	PLUG 3 TOP PIPES
1.12	1	38731	CLEAN-O-FLEX® U-PROFILE H100

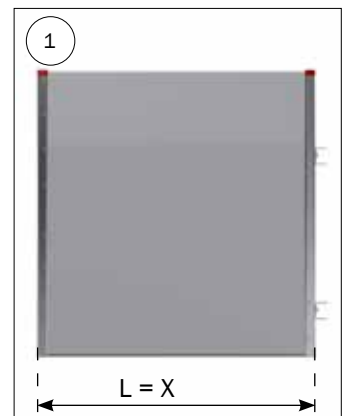


UNASSEMBLED FRONT PART WITH HINGE FOR CLEAN-O-FLEX 1000 BOARDPROFILE

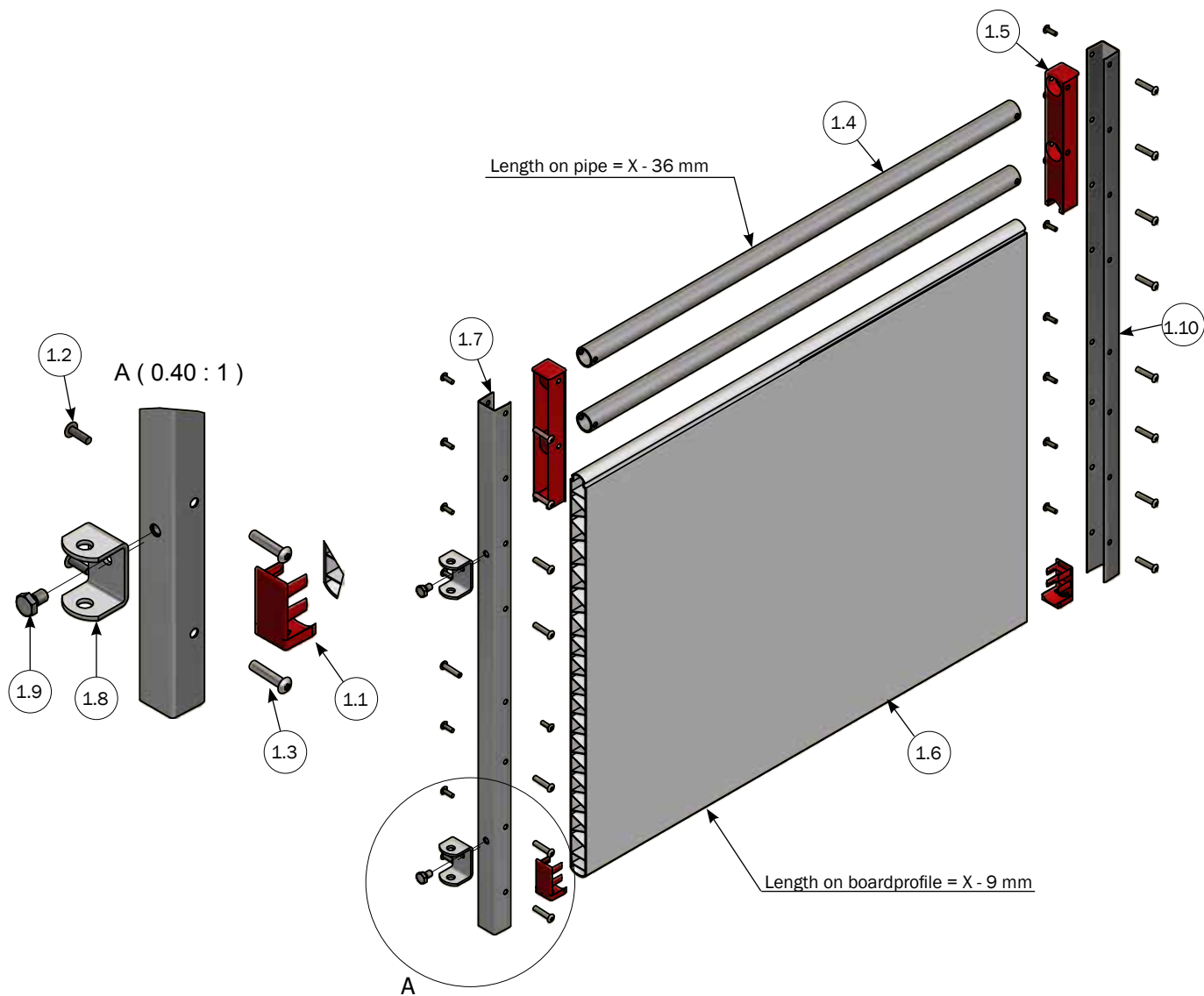


PARTS LIST

NO.	PCS.	ITEM NO.	DESCRIPTION
1	1	4210825U	UNASSEMBLED FRONT PART H100 BOARDPROFILE/ HINGE UPROFIL/UPROFIL
1.1	2	30013	PLUG PANEL BOTTOM 50 CM/75 CM PANEL
1.2	16	39106020	CONNECTION SCREW M6X20 STAINLESS TORX 30
1.3	16	39206037	SPLICING SLEEVE M6X37 STAINLESS TORX 30
1.4	1	30105	BOARDPROFILE 35X750 MM SPEC. LENGTH PRICE PER METER
1.5	1	4250533	U-PROFILE WITH BOLT, FOR HINGE BRACKET
1.6	2	8450598	HINGE BRACKET
1.7	2	30310016	SET SCREW M10X16 A2 DIN 933
1.8	1	38731	CLEAN-O-FLEX® U-PROFILE H100
1.9	1	30099	BOARDPROFILE 35X250 MM SPEC. LENGTH PRICE PER METER
1.10	2	30001	PLUG PANEL TOP

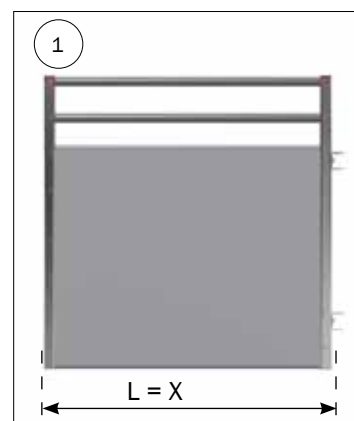


UNASSEMBLED FRONT PART WITH HINGE FOR CLEAN-O-FLEX 1000 BOARDPROFILE/2 BARS

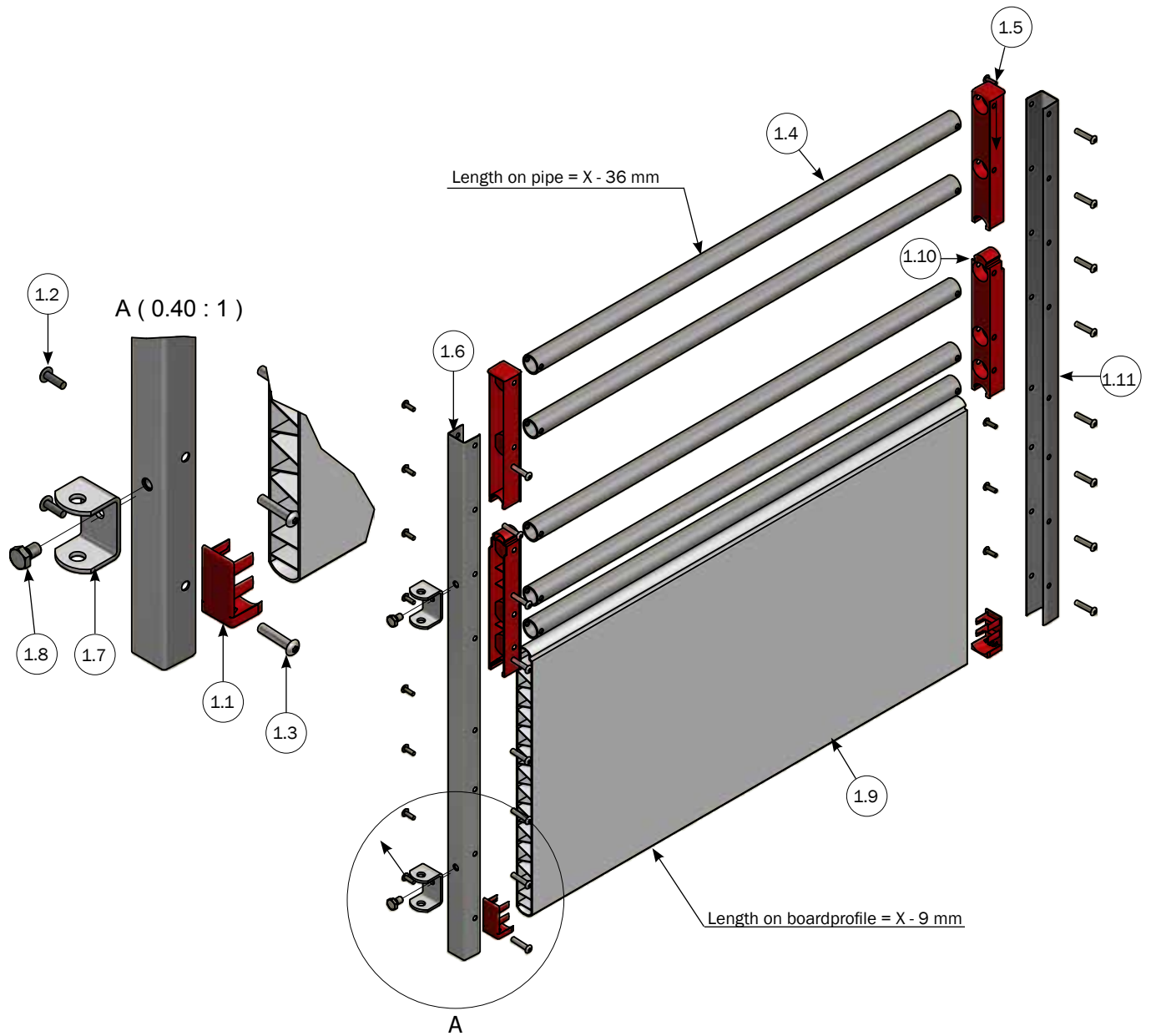


PARTS LIST

NO.	PCS.	ITEM NO.	DESCRIPTION
1	1	4210605U	UNASSEMBLED FRONT PART H100 BOARDPROFILE/ 2 BARS/HINGE/UPROFIL
1.1	2	30013	PLUG PANEL BOTTOM 50 CM/ 75 CM PANEL
1.2	16	39106020	CONNECTION SCREW M6X20 STAINLESS TORX 30
1.3	16	39206037	SPLICING SLEEVE M6X37 STAINLESS TORX 30
1.4	2	112406	33.7 X 2.6 PIPE GALV. PRICE PER METER, LENGTH 6 METER
1.5	2	30006	PLUG PANEL TOP 2 TOP PIPES
1.6	1	30105	BOARDPROFILE 35X750 MM SPEC. LENGTH PRICE PER METER
1.7	1	4250533	U-PROFILE WITH BOLT, FOR HINGE BRACKET
1.8	2	8450598	HINGE BRACKET
1.9	2	30310016	SET SCREW M10X16 A2 DIN 933
1.10	1	38731	CLEAN-O-FLEX® U-PROFILE H100

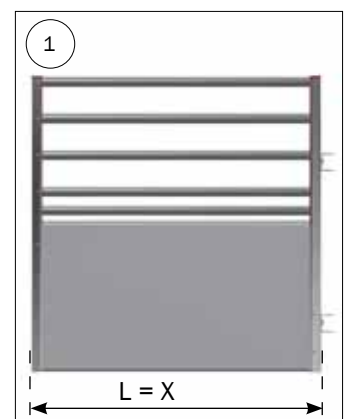


UNASSEMBLED FRONT PART WITH HINGE FOR CLEAN-O-FLEX 1000 BOARDPROFILE/5 BARS

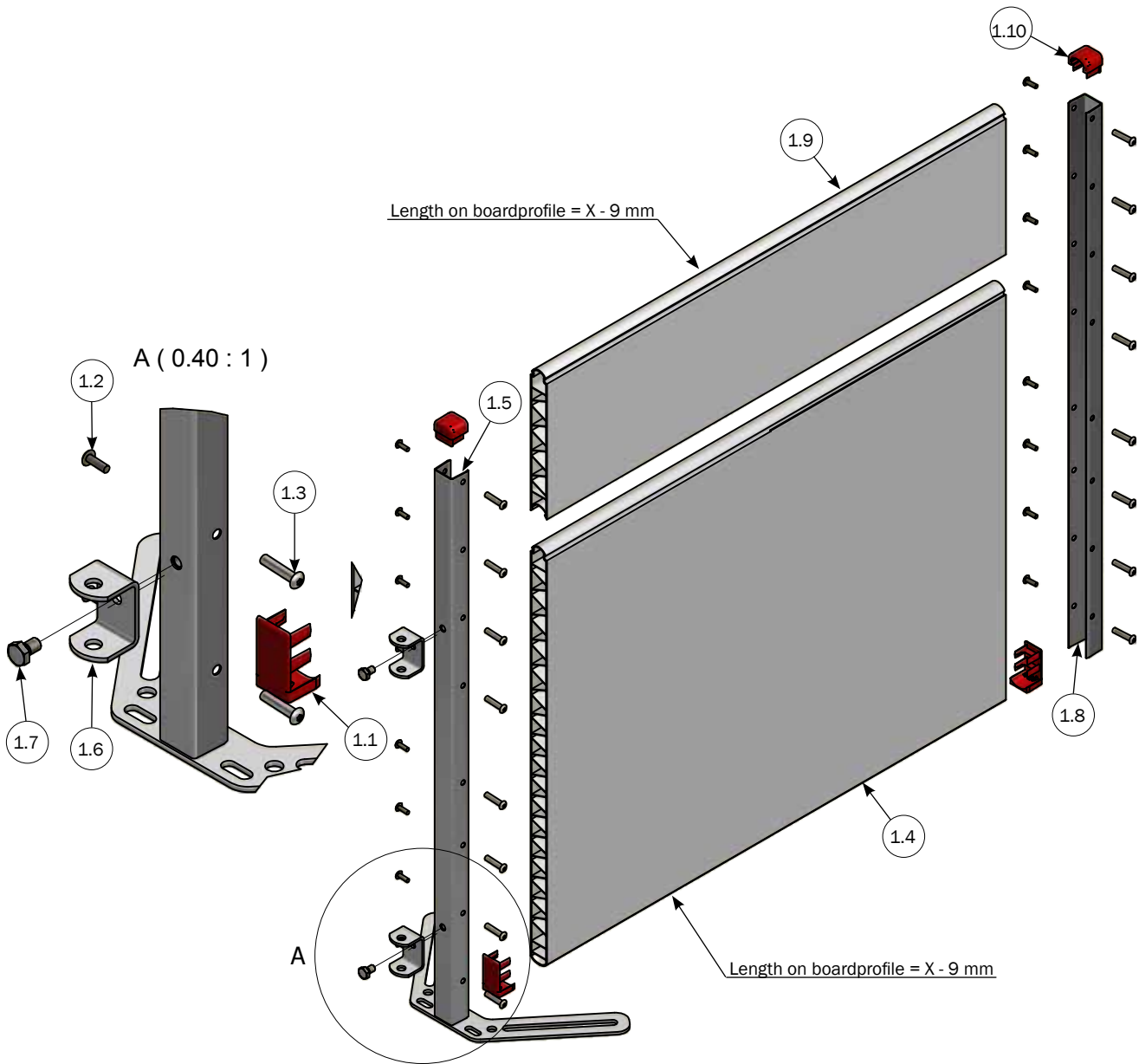


PARTS LIST

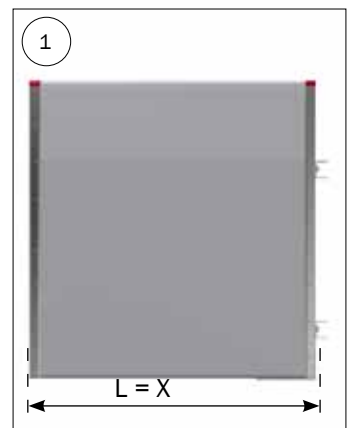
NO.	PCS.	ITEM NO.	DESCRIPTION
1	1	4210725U	UNASSEMBLED FRONT PART H100 BOARDPROFILE/ 5 BARS/HINGE/UPROFIL
1.1	2	30013	PLUG PANEL BOTTOM 50 CM/75 CM PANEL
1.2	16	39106020	CONNECTION SCREW M6X20 STAINLESS TORX 30
1.3	16	39206037	SPLICING SLEEVE M6X37 STAINLESS TORX 30
1.4	LBM	112406	33.7 X 2.6 PIPE GALV. PRICE PER METER, LENGTH 6 METER
1.5	2	30006	PLUG PANEL TOP 2 TOP PIPES
1.6	1	4250533	U-PROFILE WITH BOLT, FOR HINGE BRACKET
1.7	2	8450598	HINGE BRACKET
1.8	2	30310016	SET SCREW M10X16 A2 DIN 933
1.9	LBM	30102	BOARDPROFILE 35X500 MM SPEC. LENGTH PRICE PER METER
1.10	2	30016	PLUG 3 TOP PIPES
1.11	1	38731	CLEAN-O-FLEX® U-PROFILE H100



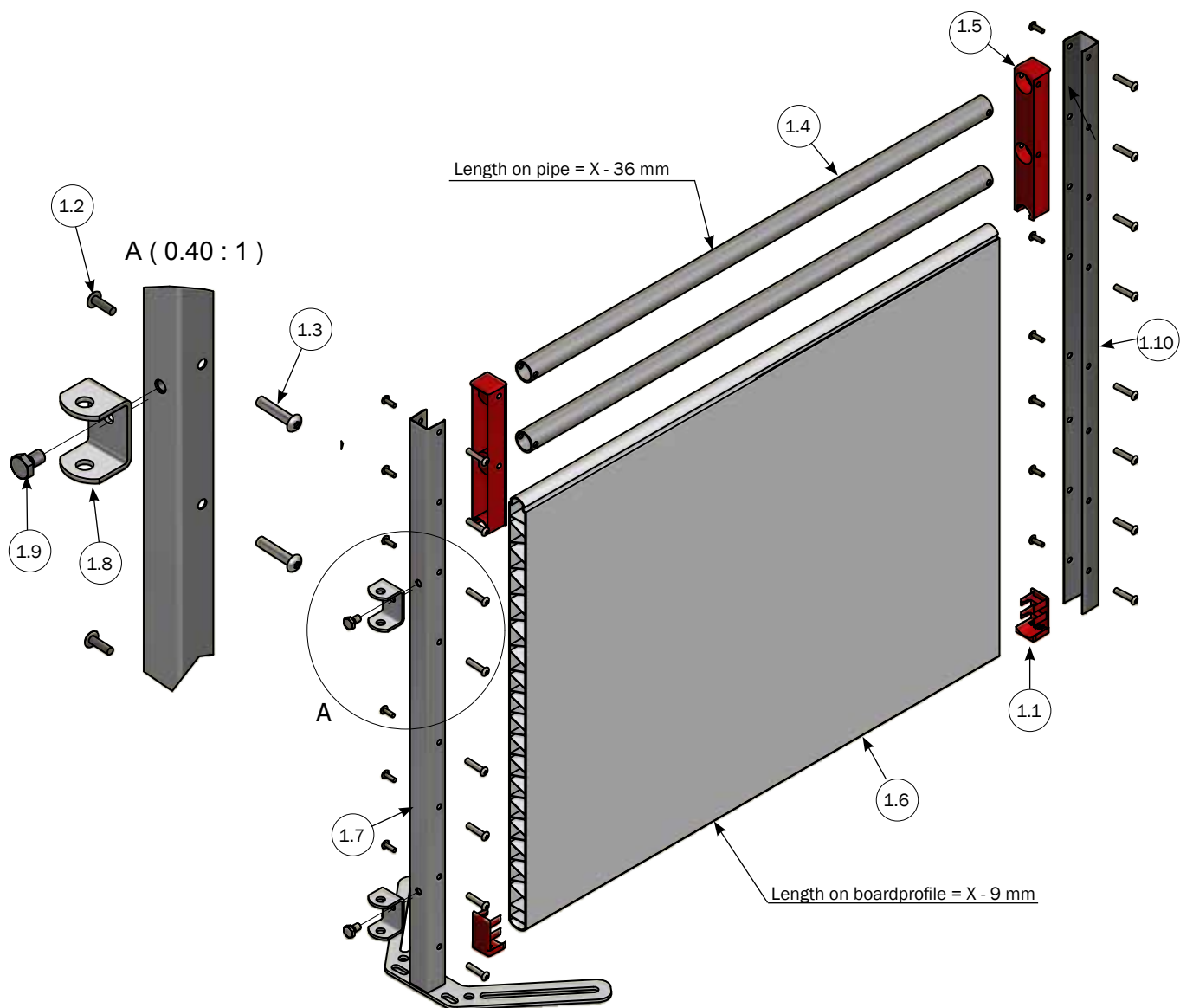
UNASSEMBLED FRONT PART WITH HINGE FOR CLEAN-O-FLEX 1000 BOARDPROFILE



PARTS LIST			
NO.	PCS.	ITEM NO.	DESCRIPTION
1	1	4210821U	UNASSEMBLED FRONT PART H100 BOARDPROFILE/ U-POST FOR HINGE/UPROFIL
1.1	2	30013	PLUG PANEL BOTTOM 50 CM/75 CM PANEL
1.2	16	39106020	CONNECTION SCREW M6X20 STAINLESS TORX 30
1.3	16	39206037	SPLICING SLEEVE M6X37 STAINLESS TORX 30
1.4	LBM	30105	BOARDPROFILE 35X750 MM SPEC. LENGTH PRICE PER METER
1.5	1	4150051	U-POST WITH BOLT, FOR HINGE BRACKET
1.6	2	8450598	HINGE BRACKET
1.7	2	30310016	SET SCREW M10X16 A2 DIN 933
1.8	1	38731	CLEAN-O-FLEX® U-PROFILE H100
1.9	LBM	30099	BOARDPROFILE 35X250 MM SPEC. LENGTH PRICE PER METER
1.10	2	30001	PLUG PANEL TOP

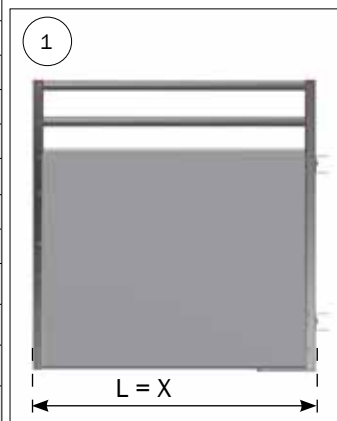


UNASSEMBLED FRONT PART WITH HINGE FOR CLEAN-O-FLEX 1000 BOARDPROFILE/2 BARS

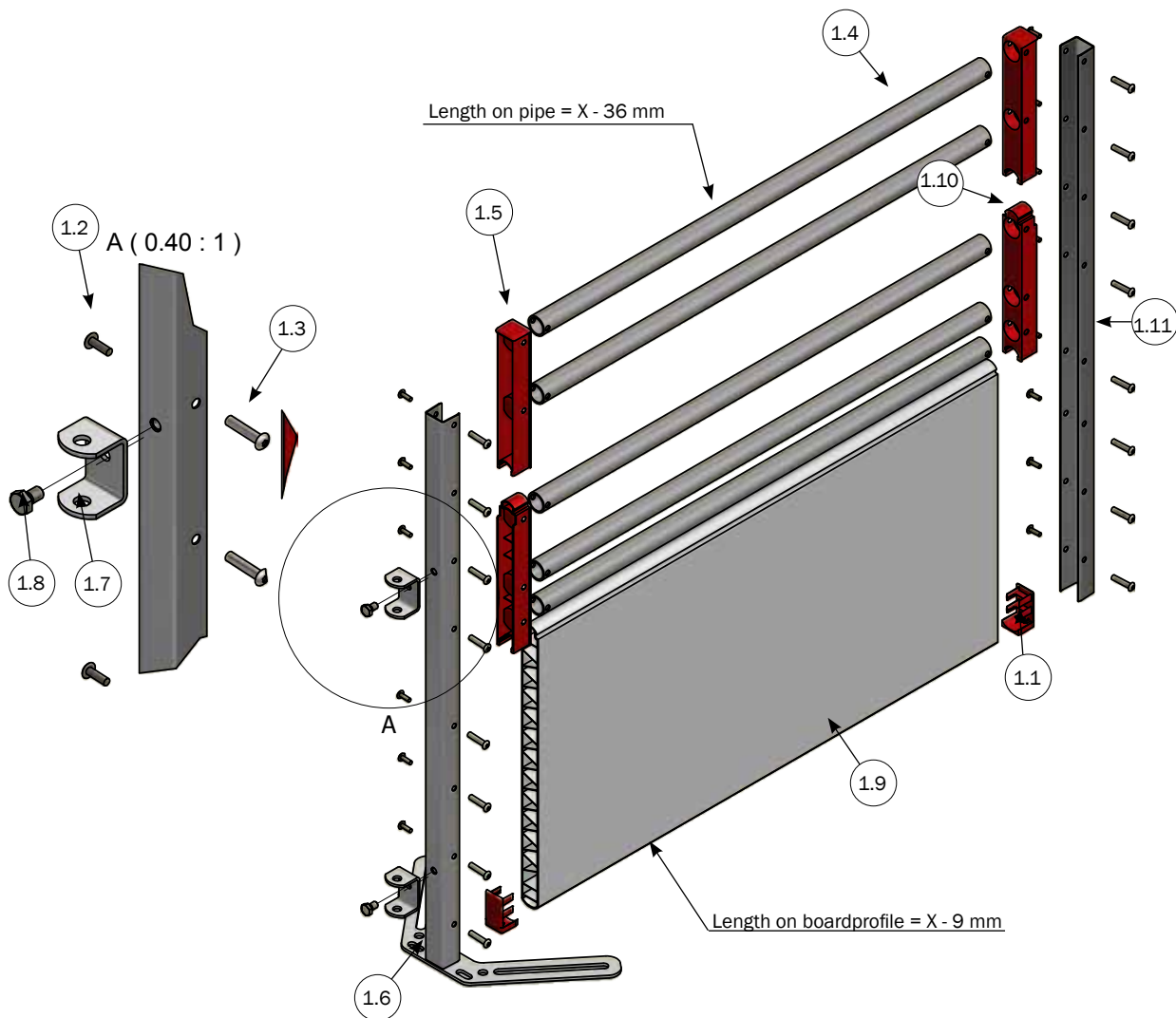


PARTS LIST

NO.	PCS.	ITEM NO.	DESCRIPTION
1	1	4210601U	UNASSEMBLED FRONT PART H100 BOARDPROFILE/ 2 BARS/U-POST FOR HINGE/UPROFIL
1.1	2	30013	PLUG PANEL BOTTOM 50 CM/75 CM PANEL
1.2	16	39106020	CONNECTION SCREW M6X20 STAINLESS TORX 30
1.3	16	39206037	SPLICING SLEEVE M6X37 STAINLESS TORX 30
1.4	LBM	112406	33.7 X 2.6 PIPE GALV. PRICE PER METER, LENGTH 6 METER
1.5	2	30006	PLUG PANEL TOP 2 TOP PIPES
1.6	LBM	30105	BOARDPROFILE 35X750 MM SPEC. LENGTH PRICE PER METER
1.7	1	4150051	U-POST WITH BOLT, FOR HINGE BRACKET
1.8	2	8450598	HINGE BRACKET
1.9	2	30310016	SET SCREW M10X16 A2 DIN 933
1.10	1	38731	CLEAN-O-FLEX® U-PROFILE H100

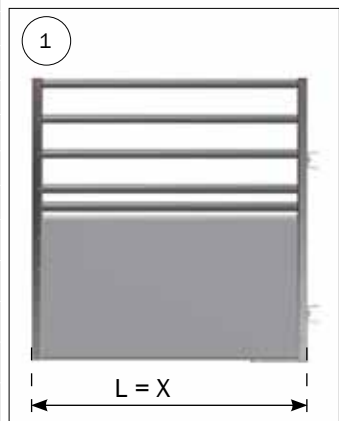


UNASSEMBLED FRONT PART WITH HINGE FOR CLEAN-O-FLEX 1000 BOARDPROFILE/5 BARS

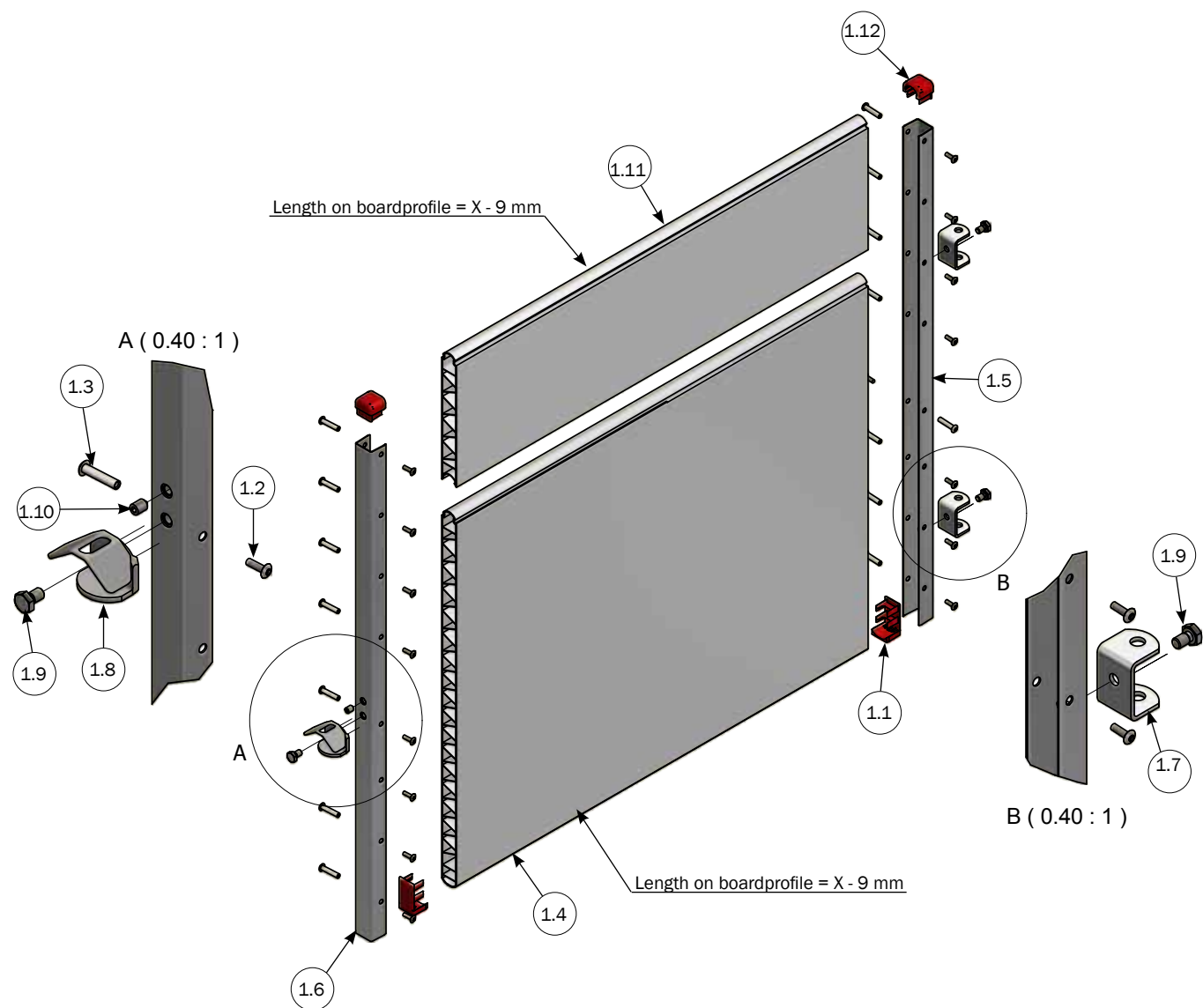


PARTS LIST

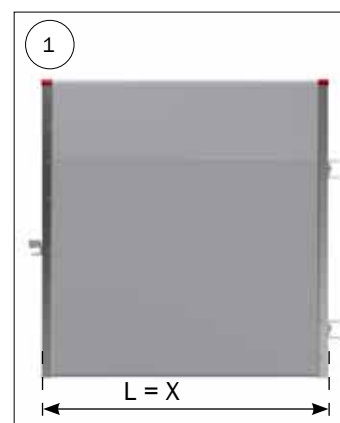
NO.	PCS.	ITEM NO.	DESCRIPTION
1	1	4210721U	UNASSEMBLED FRONT PART H100 BOARDPROFILE/ 5 BARS/U-POST FOR HINGE/UPROFIL
1.1	2	30013	PLUG PANEL BOTTOM 50 CM/75 CM PANEL
1.2	16	39106020	CONNECTION SCREW M6X20 STAINLESS TORX 30
1.3	16	39206037	SPLICING SLEEVE M6X37 STAINLESS TORX 30
1.4	LBM	112406	33.7 X 2.6 PIPE GALV. PRICE PER METER, LENGTH 6 METER
1.5	2	30006	PLUG PANEL TOP 2 TOP PIPES
1.6	1	4150051	U-POST WITH BOLT, FOR HINGE BRACKET
1.7	2	8450598	HINGE BRACKET
1.8	2	30310016	SET SCREW M10X16 A2 DIN 933
1.9	LBM	30102	BOARDPROFILE 35X500 MM SPEC. LENGTH PRICE PER METER
1.10	2	30016	PLUG 3 TOP PIPES
1.11	1	38731	CLEAN-O-FLEX® U-PROFILE H100



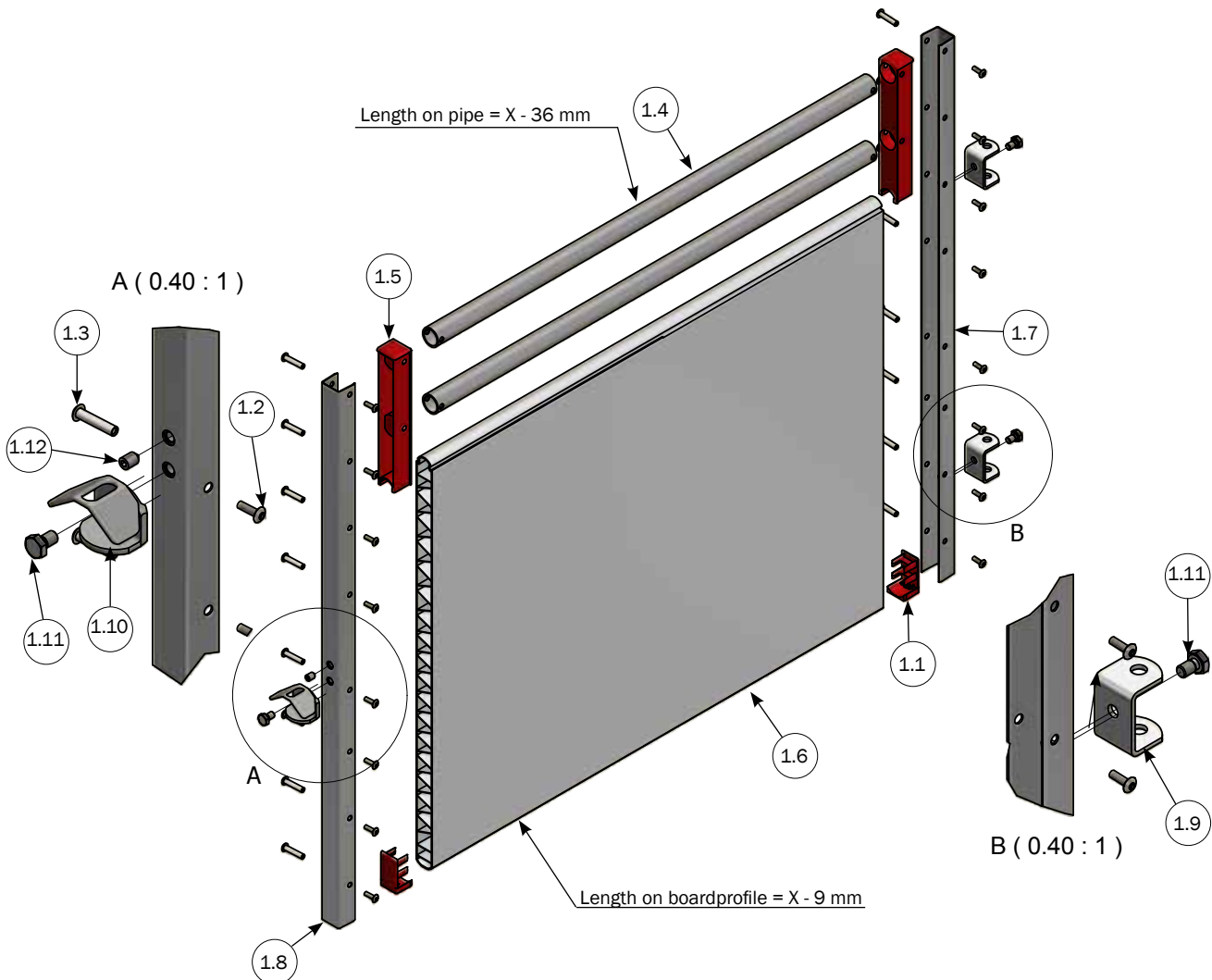
UNASSEMBLED FRONT PART WITH DROP LATCH/HINGE FOR CLEAN-O-FLEX 1000 BOARDPROFILE



PARTS LIST			
NO.	PCS.	ITEM NO.	DESCRIPTION
1	1	4210826U	UNASSEMBLED FRONT PART H100 BOARDPROFILE/ HINGE/DROP LATCH UPROFIL
1.1	2	30013	PLUG PANEL BOTTOM 50 CM/75 CM PANEL
1.2	16	39106020	CONNECTION SCREW M6X20 STAINLESS TORX 30
1.3	16	39206037	SPLICING SLEEVE M6X37 STAINLESS TORX 30
1.4	LBM	30105	BOARDPROFILE 35X750 MM SPEC. LENGTH PRICE PER METER
1.5	1	4250533	U-POST WITH BOLT, FOR HINGE BRACKET
1.6	1	4250534	U-POST WITH BOLT, FOR DROP LATCH
1.7	2	8450598	HINGE BRACKET
1.8	1	1915043	DROP LATCH 40 MM.
1.9	3	30310016	SET SCREW M10X16 A2 DIN 933
1.10	1	38310016	POINTED SCREW M10X16 W/POINT A2 DIN 914
1.11	LBM	30099	BOARDPROFILE 35X250 MM SPEC. LENGTH PRICE PER METER
1.12	2	30001	PLUG PANEL TOP

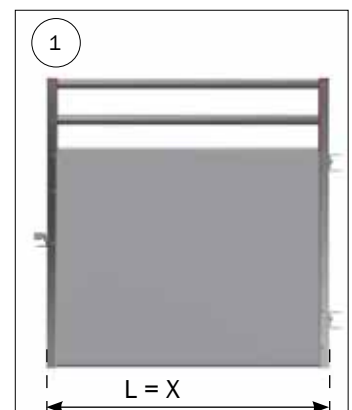


UNASSEMBLED FRONT PART DROP LATCH/HINGE FOR CLEAN-O-FLEX 1000 BOARDPROFILE/2 BARS

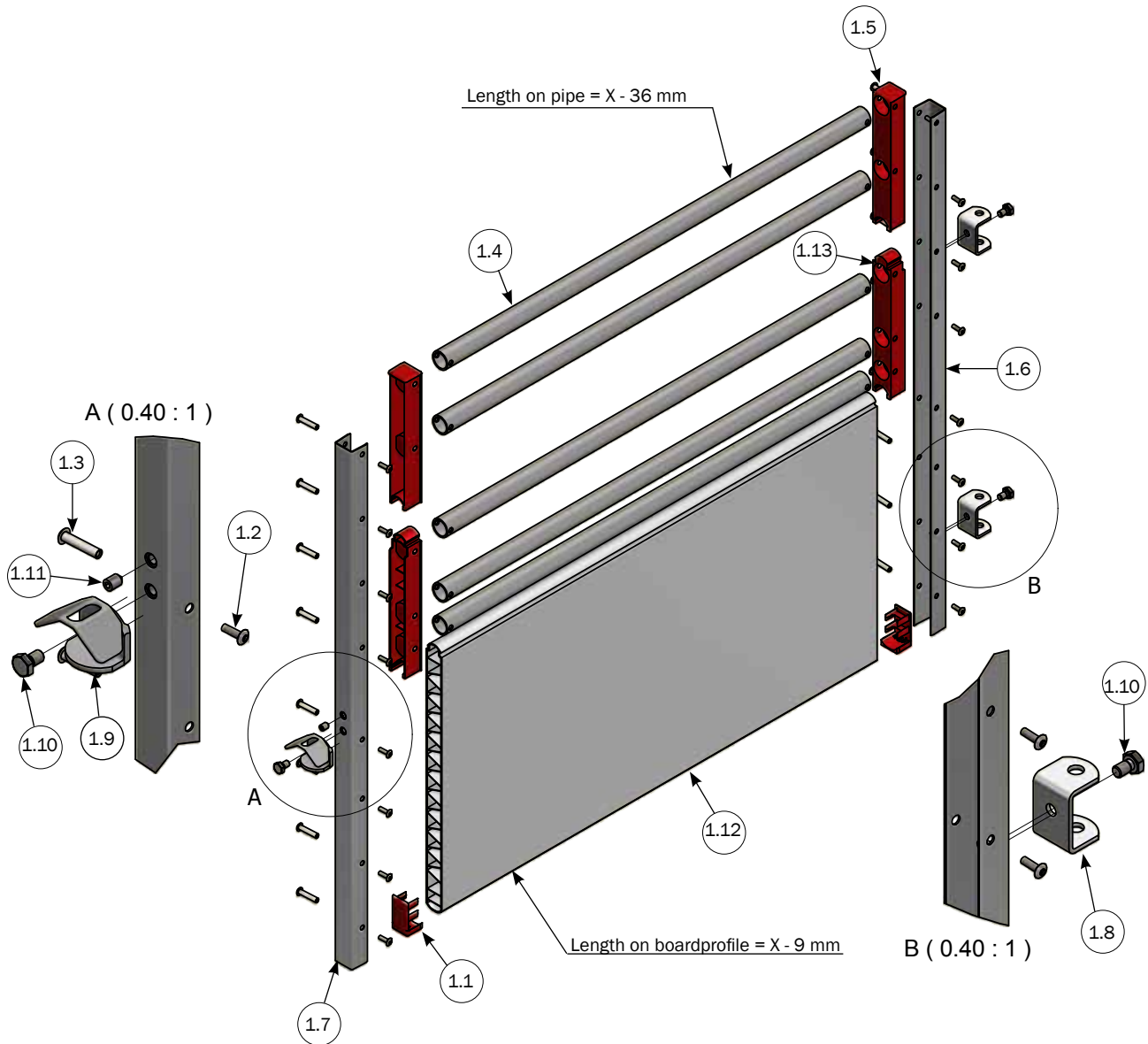


PARTS LIST

NO.	PCS.	ITEM NO.	DESCRIPTION
1	1	4210606U	UNASSEMBLED FRONT PART H100 BOARDPROFILE/2 BARS/HINGE/DROP LATCH UPROFIL
1.1	2	30013	PLUG PANEL BOTTOM 50 CM/75 CM PANEL
1.2	16	39106020	CONNECTION SCREW M6X20 STAINLESS TORX 30
1.3	16	39206037	SPLICING SLEEVE M6X37 STAINLESS TORX 30
1.4	LBM	112406	33.7 X 2.6 PIPE GALV. PRICE PER METER, LENGTH 6 METER
1.5	2	30006	PLUG PANEL TOP 2 TOP PIPES
1.6	LBM	30105	BOARDPROFILE 35X750 MM SPEC. LENGTH PRICE PER METER
1.7	1	4250533	U-POST WITH BOLT, FOR HINGE BRACKET
1.8	1	4250534	U-POST WITH BOLT, FOR DROP LATCH
1.9	2	8450598	HINGE BRACKET
1.10	1	1915043	DROP LATCH 40 MM.
1.11	3	30310016	SET SCREW M10X16 A2 DIN 933
1.12	1	38310016	POINTED SCREW M10X16 W/POINT A2 DIN 914

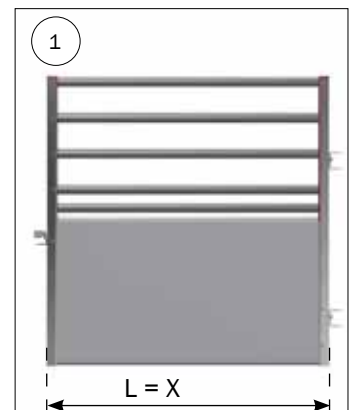


UNASSEMBLED FRONT PART WITH DROP LATCH/HINGE FOR CLEAN-O-FLEX 1000 BOARDPROFILE/5 BARS

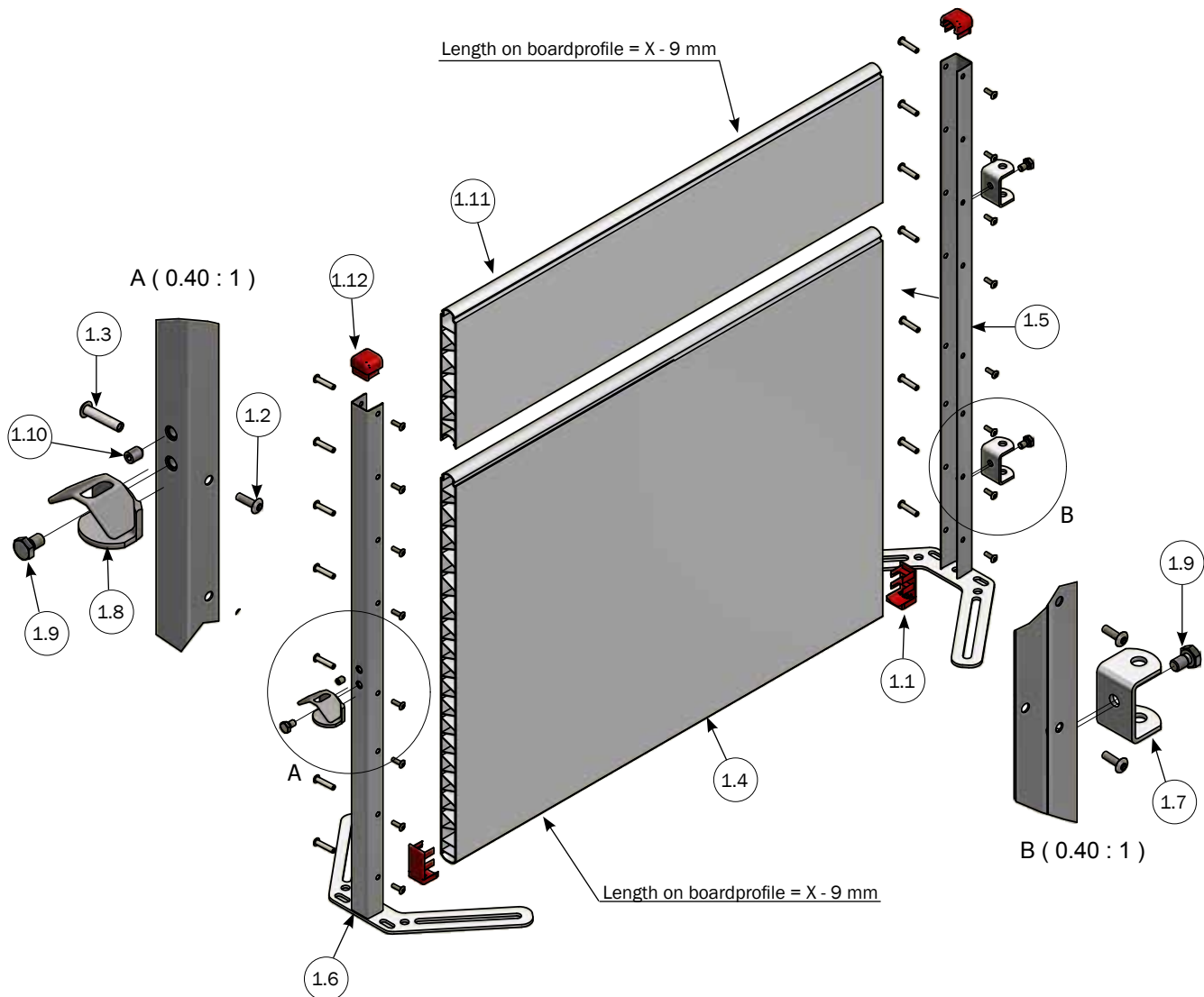


PARTS LIST

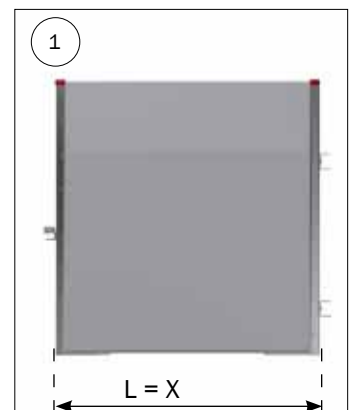
NO.	PCS.	ITEM NO.	DESCRIPTION
1	1	4210726U	UNASSEMBLED FRONT PART H100 BOARDPROFILE/5 BARS/HINGE/DROP LATCH UPROFIL
1.1	2	30013	PLUG PANEL BOTTOM 50 CM/75 CM PANEL
1.2	16	39106020	CONNECTION SCREW M6X20 STAINLESS TORX 30
1.3	16	39206037	SPLICING SLEEVE M6X37 STAINLESS TORX 30
1.4	LBM	112406	33.7 X 2.6 PIPE GALV. PRICE PER METER, LENGTH 6 METER
1.5	2	30006	PLUG PANEL TOP 2 TOP PIPES
1.6	1	4250533	U-POST WITH BOLT, FOR HINGE BRACKET
1.7	1	4250534	U-POST WITH BOLT, FOR DROP LATCH
1.8	2	8450598	HINGE BRACKET
1.9	1	1915043	DROP LATCH 40 MM.
1.10	3	30310016	SET SCREW M10X16 A2 DIN 933
1.11	1	38310016	POINTED SCREW M10X16 W/POINT A2 DIN 914
1.12	LBM	30102	BOARDPROFILE 35X500 MM SPEC. LENGTH PRICE PER METER
1.13	2	30016	PLUG 3 TOP PIPES



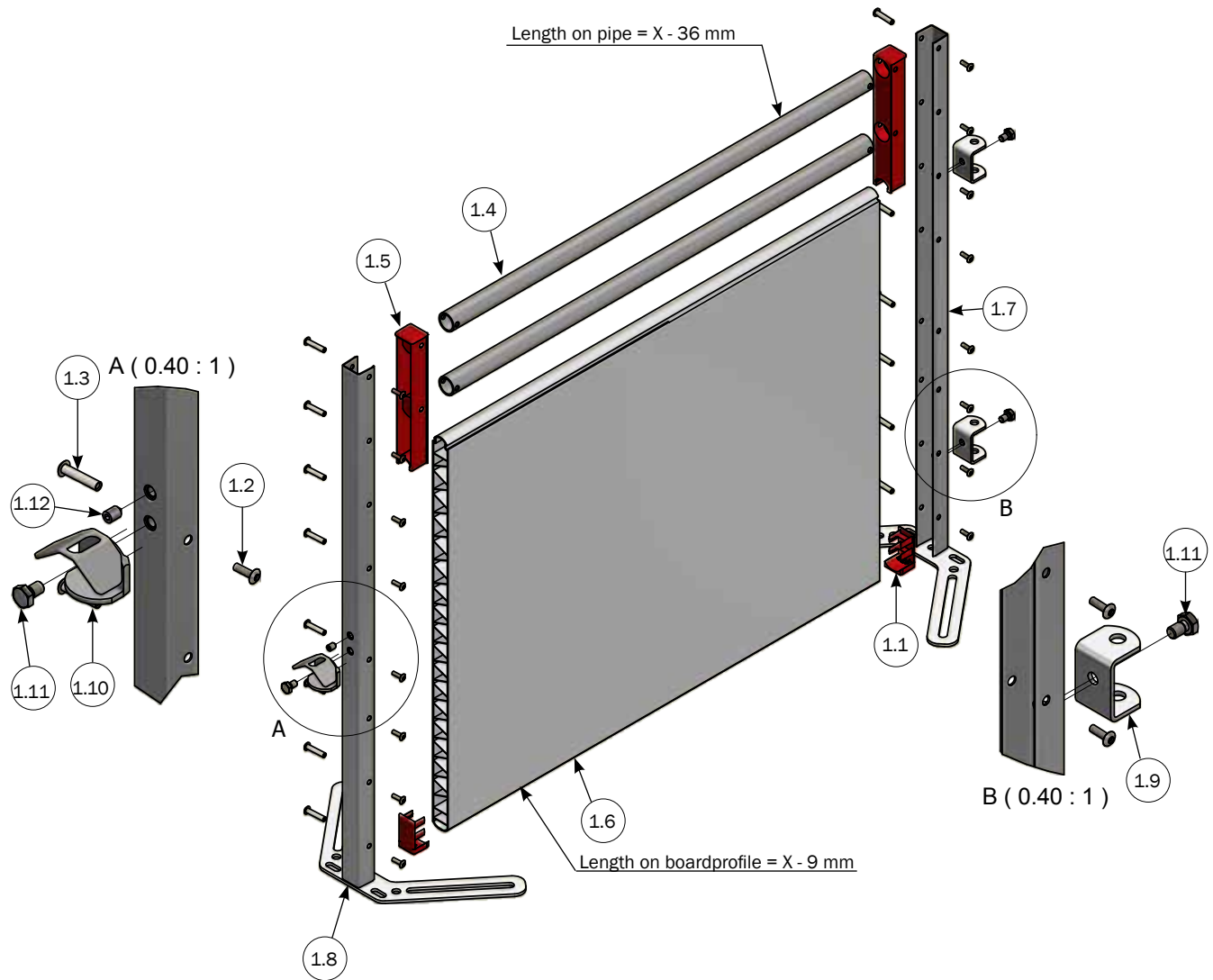
UNASSEMBLED FRONT PART WITH DROP LATCH/HINGE FOR CLEAN-O-FLEX 1000 BOARDPROFILE



PARTS LIST			
NO.	PCS.	ITEM NO.	DESCRIPTION
1	1	4210823U	UNASSEMBLED FRONT PART H100 BOARDPROFILE/HINGE/DROP LATCH U-POST
1.1	2	30013	PLUG PANEL BOTTOM 50 CM/75 CM PANEL
1.2	16	39106020	CONNECTION SCREW M6X20 STAINLESS TORX 30
1.3	16	39206037	SPLICING SLEEVE M6X37 STAINLESS TORX 30
1.4	LBM	30105	BOARDPROFILE 35X750 MM SPEC. LENGTH PRICE PER METER
1.5	1	4150051	U-POST WITH BOLT, FOR HINGE BRACKET
1.6	1	4150052	U-POST WITH BOLT, FOR DROP LATCH
1.7	2	8450598	HINGE BRACKET
1.8	1	1915043	DROP LATCH 40 MM.
1.9	3	30310016	SET SCREW M10X16 A2 DIN 933
1.10	1	38310016	POINTED SCREW M10X16 W/POINT A2 DIN 914
1.11	LBM	30099	BOARDPROFILE 35X250 MM SPEC. LENGTH PRICE PER METER
1.12	2	30001	PLUG PANEL TOP

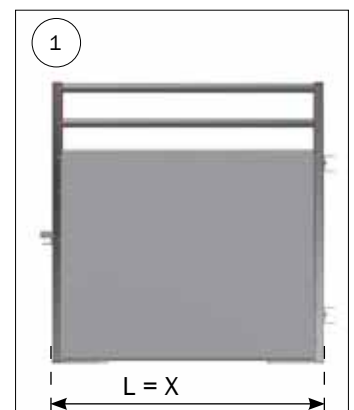


UNASSEMBLED FRONT PART WITH DROP LATCH/HINGE FOR CLEAN-O-FLEX 1000 BOARDPROFILE/2 BARS

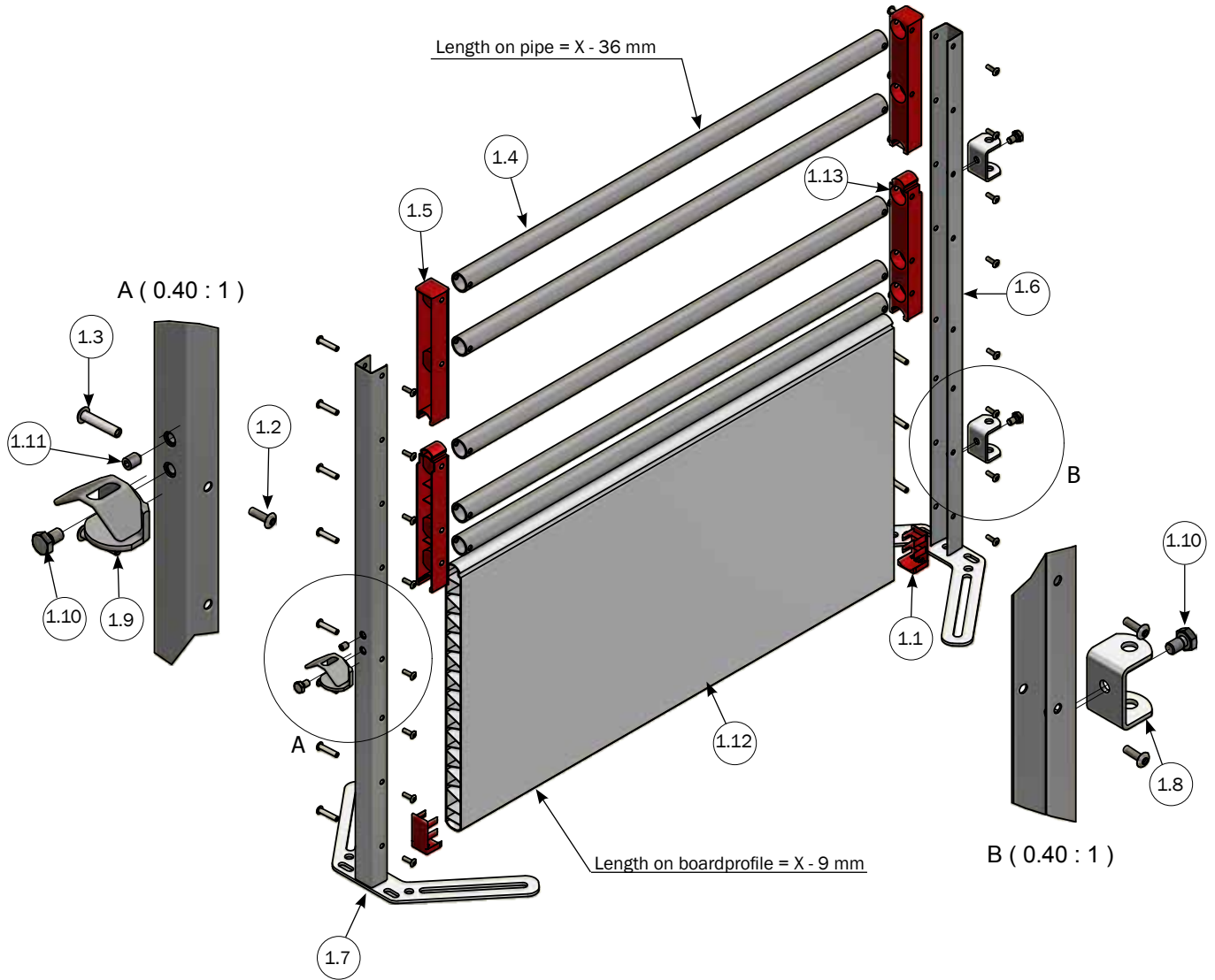


PARTS LIST

NO.	PCS.	ITEM NO.	DESCRIPTION
1	1	4210603U	UNASSEMBLED FRONT PART H100 BOARDPROFILE/2 BARS/HINGE/DROP LATCH U-POST
1.1	2	30013	PLUG PANEL BOTTOM 50 CM/75 CM PANEL
1.2	16	39106020	CONNECTION SCREW M6X20 STAINLESS TORX 30
1.3	16	39206037	SPLICING SLEEVE M6X37 STAINLESS TORX 30
1.4	LBM	112406	33.7 X 2.6 PIPE GALV. PRICE PER METER, LENGTH 6 METER
1.5	2	30006	PLUG PANEL TOP 2 TOP PIPES
1.6	LBM	30105	BOARDPROFILE 35X750 MM SPEC. LENGTH PRICE PER METER
1.7	1	4150051	U-POST WITH BOLT, FOR HINGE BRACKET
1.8	1	4150052	U-POST WITH BOLT, FOR DROP LATCH
1.9	2	8450598	HINGE BRACKET
1.10	1	1915043	DROP LATCH 40 MM.
1.11	3	30310016	SET SCREW M10X16 A2 DIN 933
1.12	1	38310016	POINTED SCREW M10X16 W/POINT A2 DIN 914

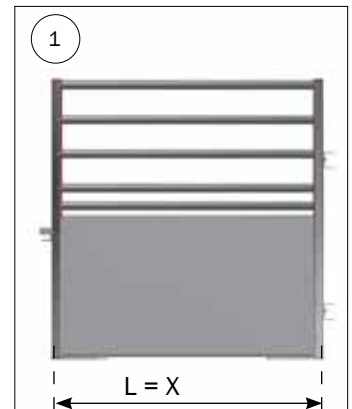


UNASSEMBLED FRONT PART WITH DROP LATCH/HINGE FOR CLEAN-O-FLEX 1000 BOARDPROFILE/ 5 BARS

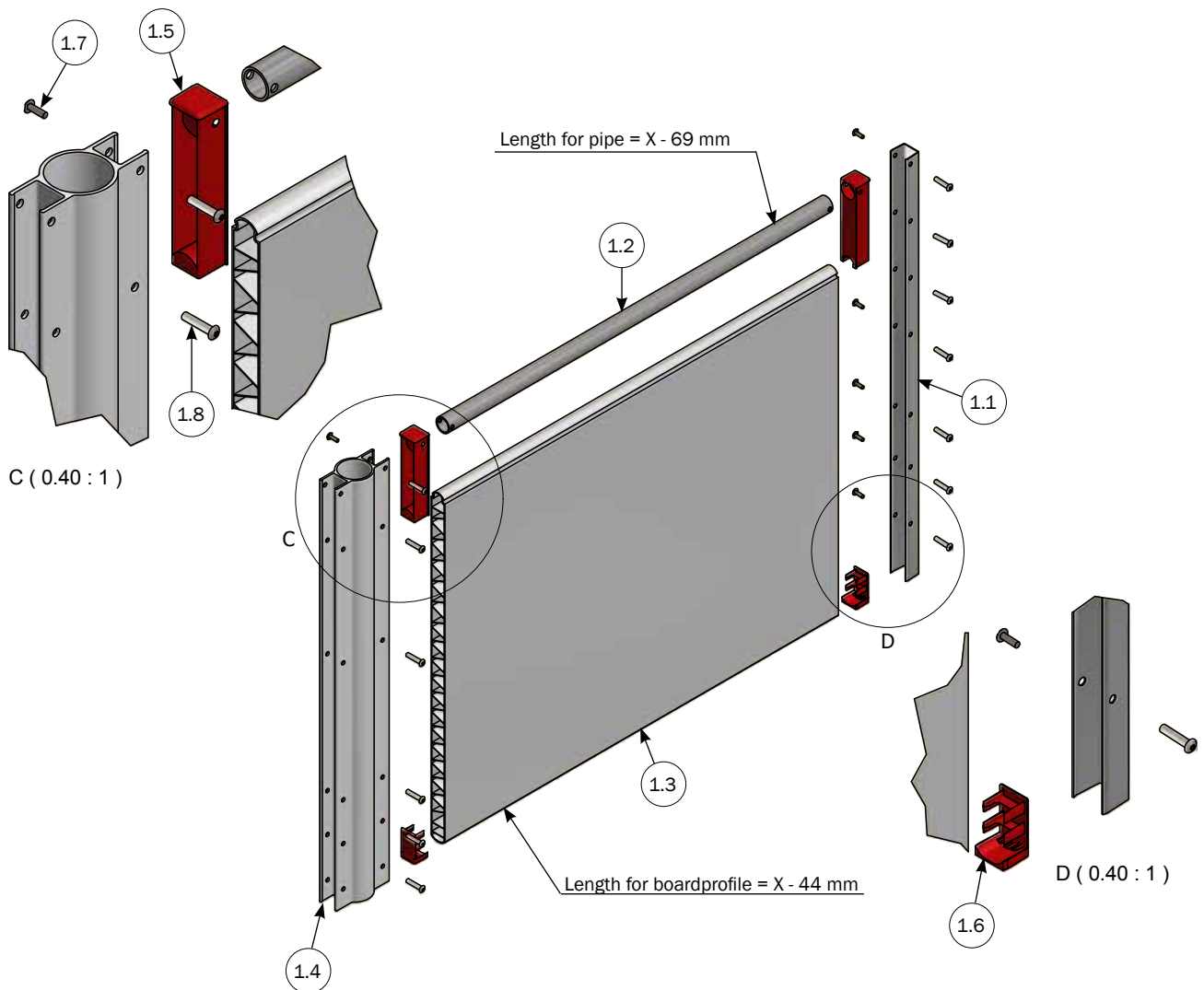


PARTS LIST

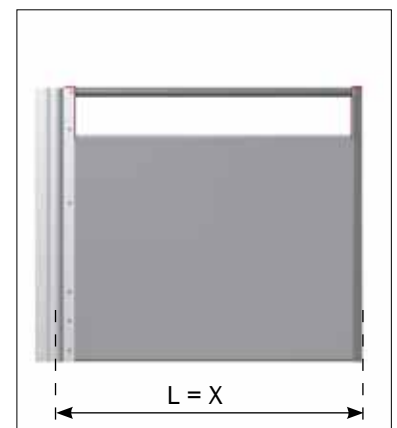
NO.	PCS.	ITEM NO.	DESCRIPTION
1	1	4210723U	UNASSEMBLED FRONT PART H100 BOARDPROFILE/5 BARS/HINGE/DROP LATCH U-POST
1.1	2	30013	PLUG PANEL BOTTOM 50 CM/75 CM PANEL
1.2	16	39106020	CONNECTION SCREW M6X20 STAINLESS TORX 30
1.3	16	39206037	SPLICING SLEEVE M6X37 STAINLESS TORX 30
1.4	LBM	112406	33.7 X 2.6 PIPE GALV. PRICE PER METER, LENGTH 6 METER
1.5	2	30006	PLUG PANEL TOP 2 TOP PIPES
1.6	1	4150051	U-POST WITH BOLT, FOR HINGE BRACKET
1.7	1	4150052	U-POST WITH BOLT, FOR DROP LATCH
1.8	2	8450598	HINGE BRACKET
1.9	1	1915043	DROP LATCH 40 MM.
1.10	3	30310016	SET SCREW M10X16 A2 DIN 933
1.11	1	38310016	POINTED SCREW M10X16 W/POINT A2 DIN 914
1.12	LBM	30102	BOARDPROFILE 35X500 MM SPEC. LENGTH PRICE PER METER
1.13	2	30016	PLUG 3 TOP PIPES



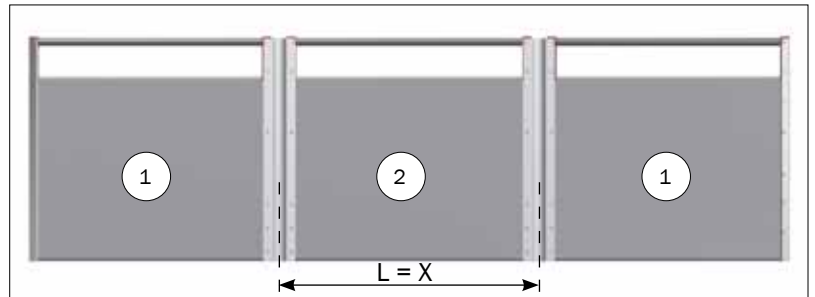
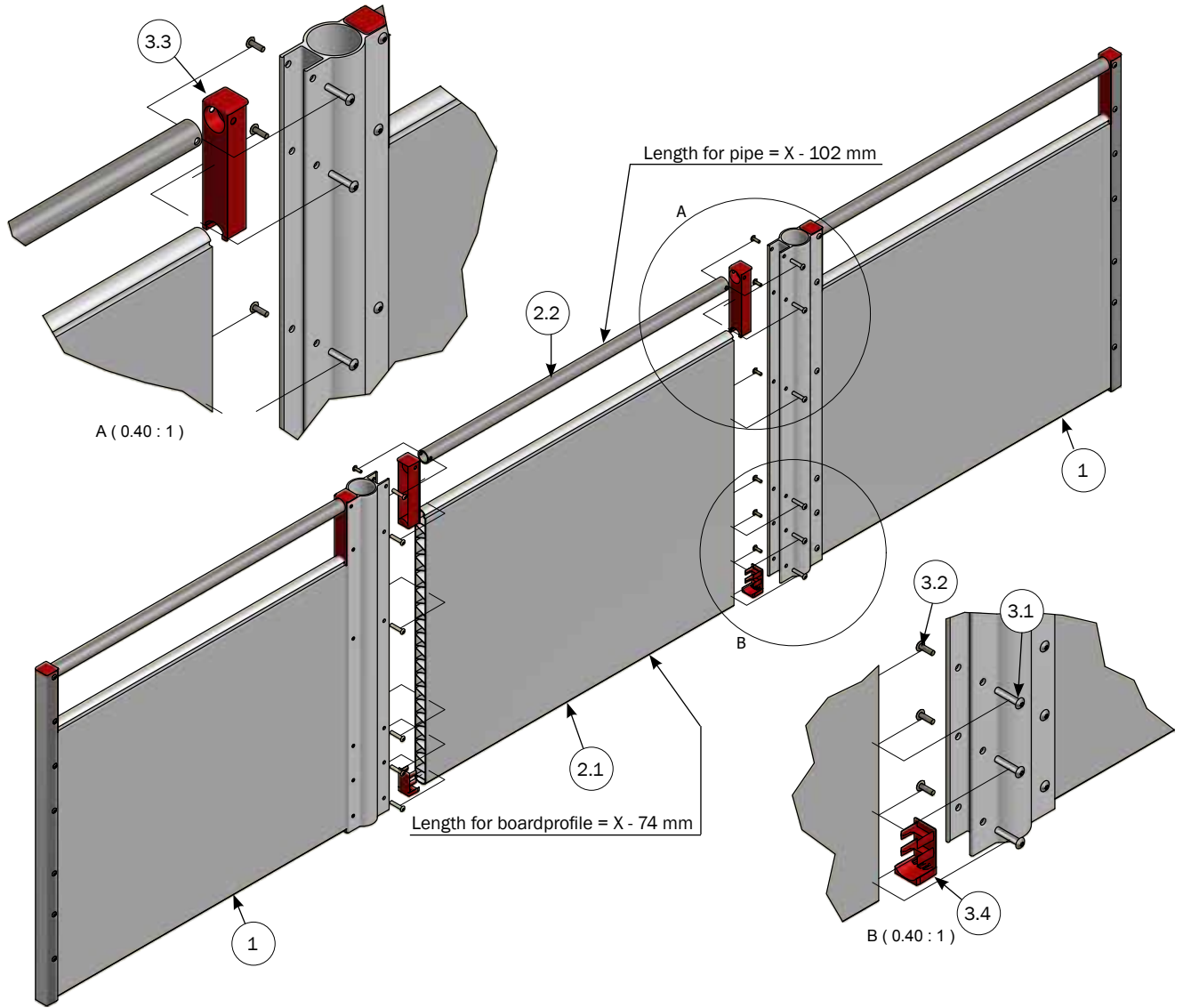
UNASSEMBLED LIQUIDFEED WALL 1+2 DOWNPIPE FOR CLEAN-O-FLEX 1000



PARTS LIST			
NO.	PCS.	ITEM NO.	DESCRIPTION
1	1	39705U	KIT FOR LIQUIDFEED WALL H:100 FOR 1+2 DOWNPIPE UPROFILE/DOWNSPIPE
1.1	1	34722	U-PROFILE H: 92,8 CM FOR LIQUIDFEED WALL
1.2	LBM	112406	33.7 X 2.6 PIPE GALV. PRICE PER METER, LENGTH 6 METER
1.3	LBM	30105	BOARDPROFILE 35X750 MM SPEC. LENGTH PRICE PER METER
1.4	1	30158	DOWNSPIPE INN-O-WALL L=928
1.5	2	30055	PLUG 181 MM TOP INN-O-WALL
1.6	2	30013	PLUG PANEL BOTTOM 50 CM/75 CM PANEL
1.7	12	39106020	CONNECTION SCREW M6X20 STAINLESS TORX 30
1.8	12	39206037	SPLICING SLEEVE M6X37 STAINLESS TORX 30

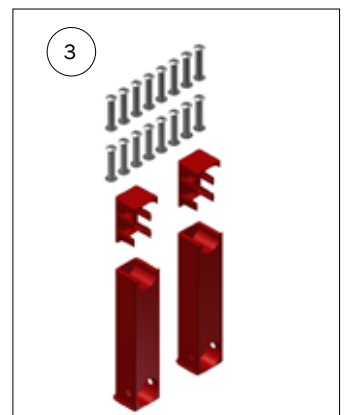


UNASSEMBLED LIQUIDFEED WALL FOR CLEAN-O-FLEX 1000

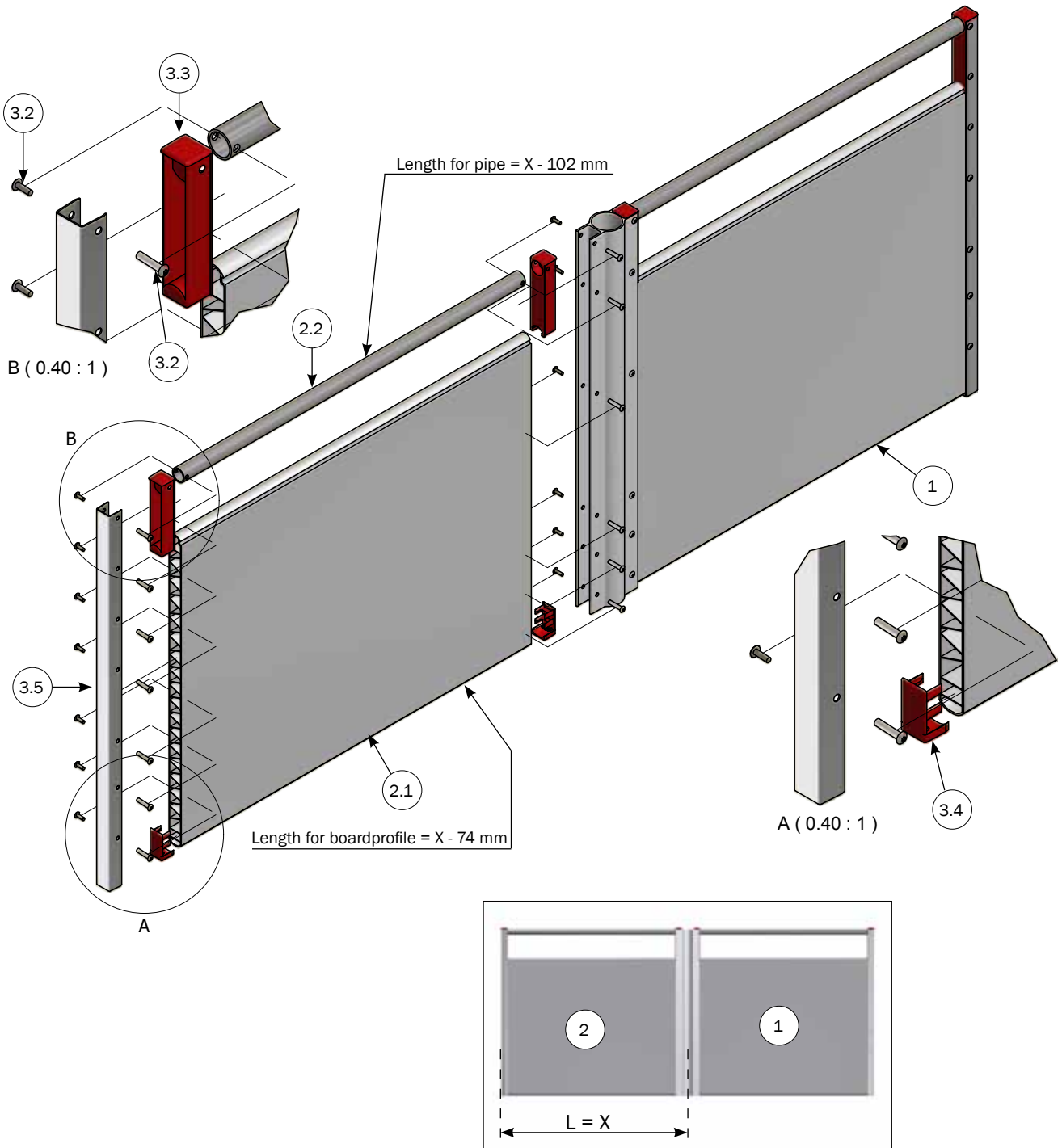


PARTS LIST

NO.	PCS.	ITEM NO.	DESCRIPTION
1	2	39705U	UNASSEMBLED LIQUIDFEED WALL H:100 FOR 1+2DOWNPIPE UPROFILE/DOWNPipe
2	1	39706U	UNASSEMBLED LIQUIDFEED WALL MIDDLE PIECE H100 BOARDPROFILE/BARS
2.1	1	30105	BOARDPROFILE 35X750 MM SPEC. LENGTH PRICE PER METER
2.2	1	112406	33.7 X 2.6 PIPE GALV. PRICE PER METER, LENGTH 6 METER
3	1	4200706	SCREWS AND PLUG FOR 39706 LIQUIDFEED WALL
3.1	12	39206037	SPLICING SLEEVE M6X37 STAINLESS TORX 30
3.2	12	39106020	CONNECTION SCREW M6X20 STAINLESS TORX 30
3.3	2	30055	PLUG 181 MM TOP INN-O-WALL
3.4	2	30013	PLUG PANEL BOTTOM 50 CM/75 CM PANEL



UNASSEMBLED LIQUIDFEED WALL 1 DOWNPIPE/WITHOUT DOWNPIPE CLEAN-O-FLEX 1000

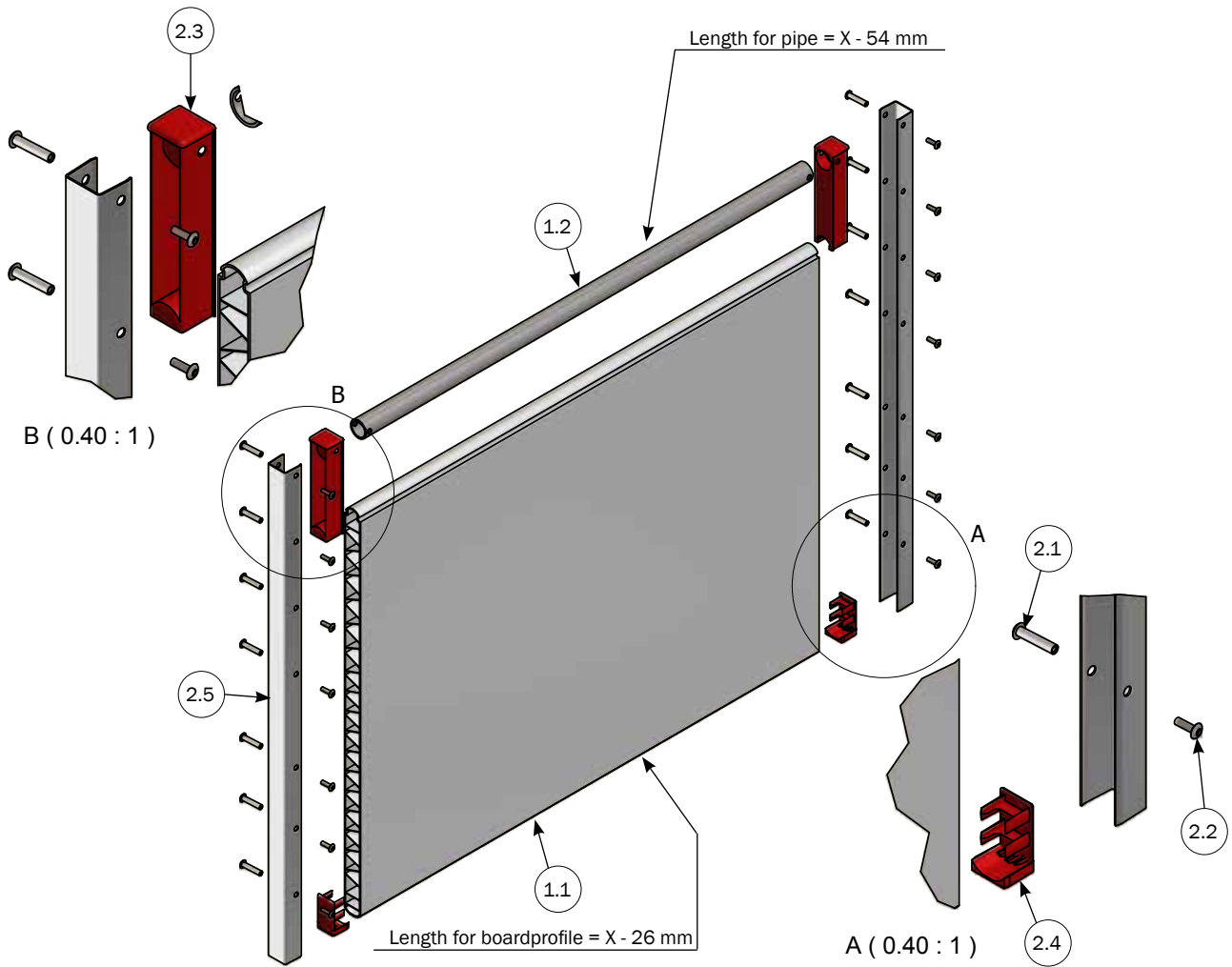


PARTS LIST

NO.	PCS.	ITEM NO.	DESCRIPTION
1	1	39705U	UNASSEMBLED LIQUIDFEED WALL H:100 FOR 1+2 DOWNPIPE UPROFILE/DOWNSPIPE
2	1	39718U	KIT FOR LIQUIDFEED WALL FOR 1 DOWNPIPE H.100 BOARDPROFILE/BARS WITHOUT DOWNPIPE
2.1	1	30105	BOARDPROFILE 35X750 MM SPEC. LENGTH PRICE PER METER
2.2	1	112406	33.7 X 2.6 PIPE GALV. PRICE PER METER, LENGTH 6 METER
3	1	4200707	SCREWS/PLUG/UPROFILE FOR 39718 LIQUIDFEED WALL
3.1	13	39206037	SPLICING SLEEVE M6X37 STAINLESS TORX 30
3.2	13	39106020	CONNECTION SCREW M6X20 STAINLESS TORX 30
3.3	2	30055	PLUG 181 MM TOP INN-O-WALL
3.4	2	30013	PLUG PANEL BOTTOM 50 CM/75 CM PANEL
3.5	1	34722	U-PROFILE H: 92,8 CM FOR LIQUIDFEED WALL

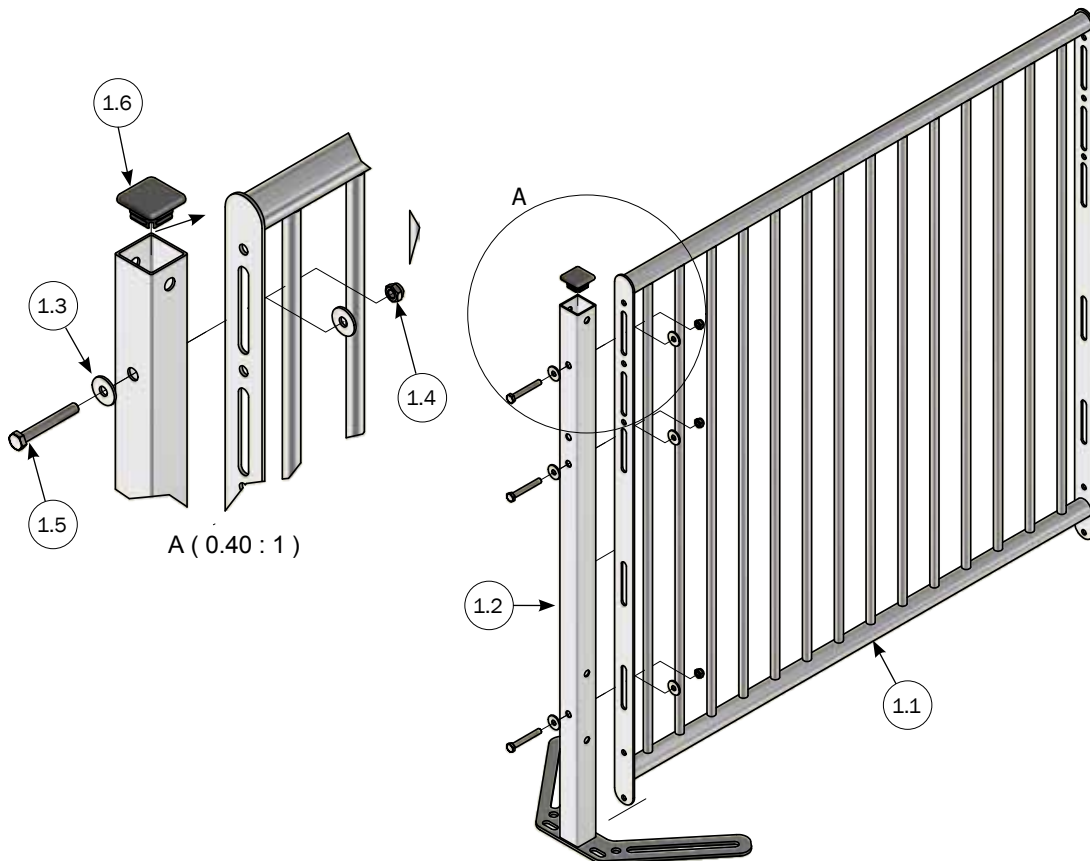


UNASSEMBLED LIQUIDFEED WALL WITHOUT DOWNPIPE FOR CLEAN-O-FLEX 1000



PARTS LIST			
NO.	PCS.	ITEM NO.	DESCRIPTION
1	1	4210701U	KIT FOR LIQUIDFEEDING WALL H100 BOARDPROFILE/BAR WITHOUT DOWNPIPE
1.1	1	30105	BOARDPROFILE 35X750 MM SPEC. LENGTH PRICE PER METER
1.2	1	112406	33.7 X 2.6 PIPE GALV. PRICE PER METER, LENGTH 6 METER
2	1	4200701	SCREWS AND PROFILE FOR 4210701
2.1	14	39206037	SPLICING SLEEVE M6X37 STAINLESS TORX 30
2.2	14	39106020	CONNECTION SCREW M6X20 STAINLESS TORX 30
2.3	2	30055	PLUG 181 MM TOP INN-O-WALL
2.4	2	30013	PLUG PANEL BOTTOM 50 CM/75 CM PANEL
2.5	2	34722	U-PROFILE H: 92,8 CM FOR LIQUIDFEED WALL

GRILLE FOR CLEAN-O-FLEX 1000 1040-1540 MM



NO.	PCS.	ITEM NO.	DESCRIPTION
		4200154	GRILLE FOR CLEAN-O-FLEX 1000/1540
		4200126	GRILLE FOR CLEAN-O-FLEX 1000/1260
1	1	4200104	GRILLE FOR CLEAN-O-FLEX 1000/1040
1.1	1	4150873	STAINLESS STEEL CONTACTGRILLE H:1000 L:1000
1.2	1	4050542	POST FOR GRILLE
1.3	6	35600058	NUT WASHER Ø8X8,4/24/2 A2 DIN9021
1.4	3	33908001	LOCK NUT M8 A2 DIN 985
1.5	3	32508060	MACHINE SCREW M8X60 A2 DIN 931
1.6	1	30085	TOP CAP 40X40X2

