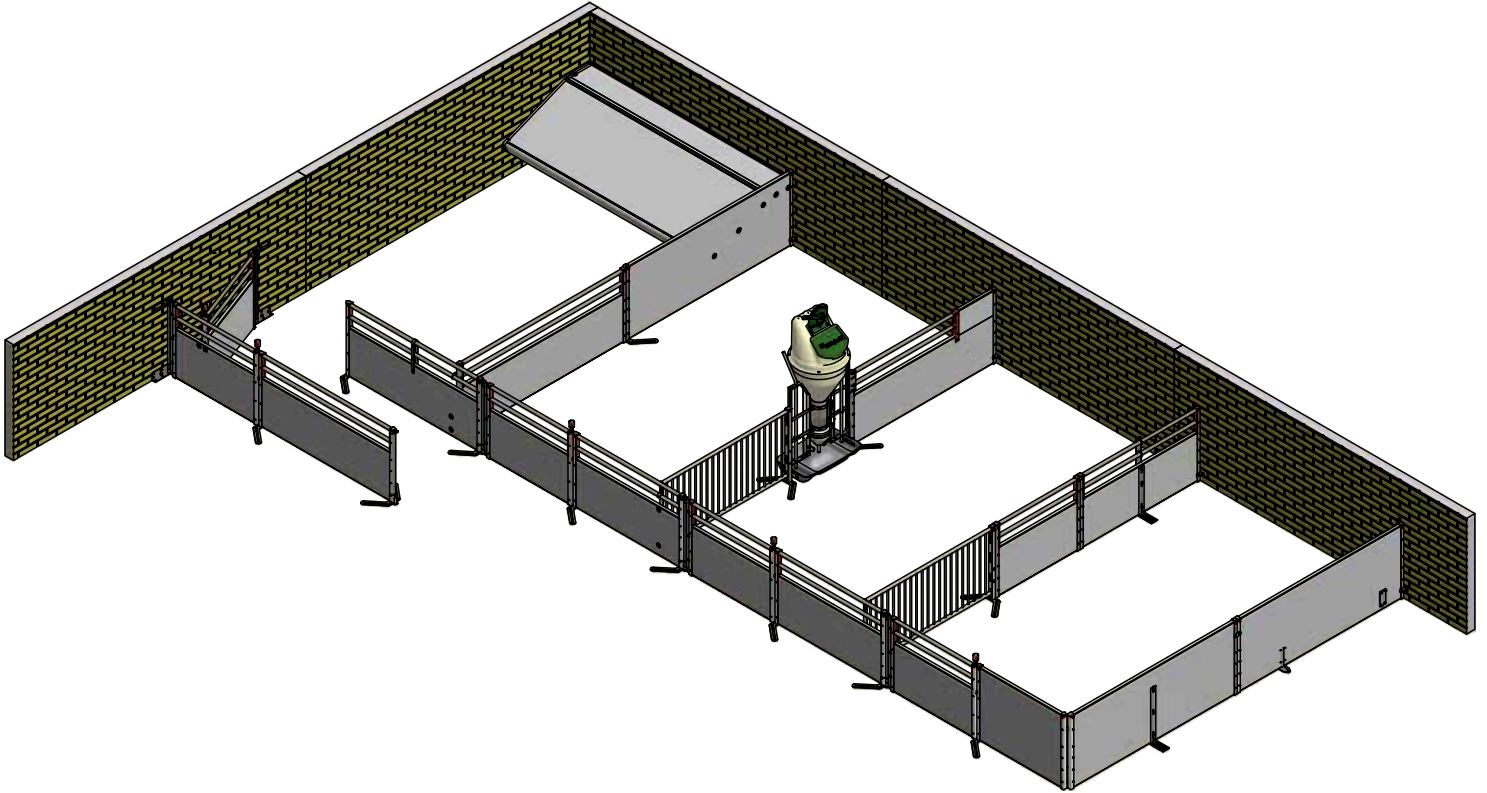


MOUNTING INSTRUCTION



CLEAN-O-FLEX 750 WITH TWIST LOCK GATE



ACO FUNKI A/S

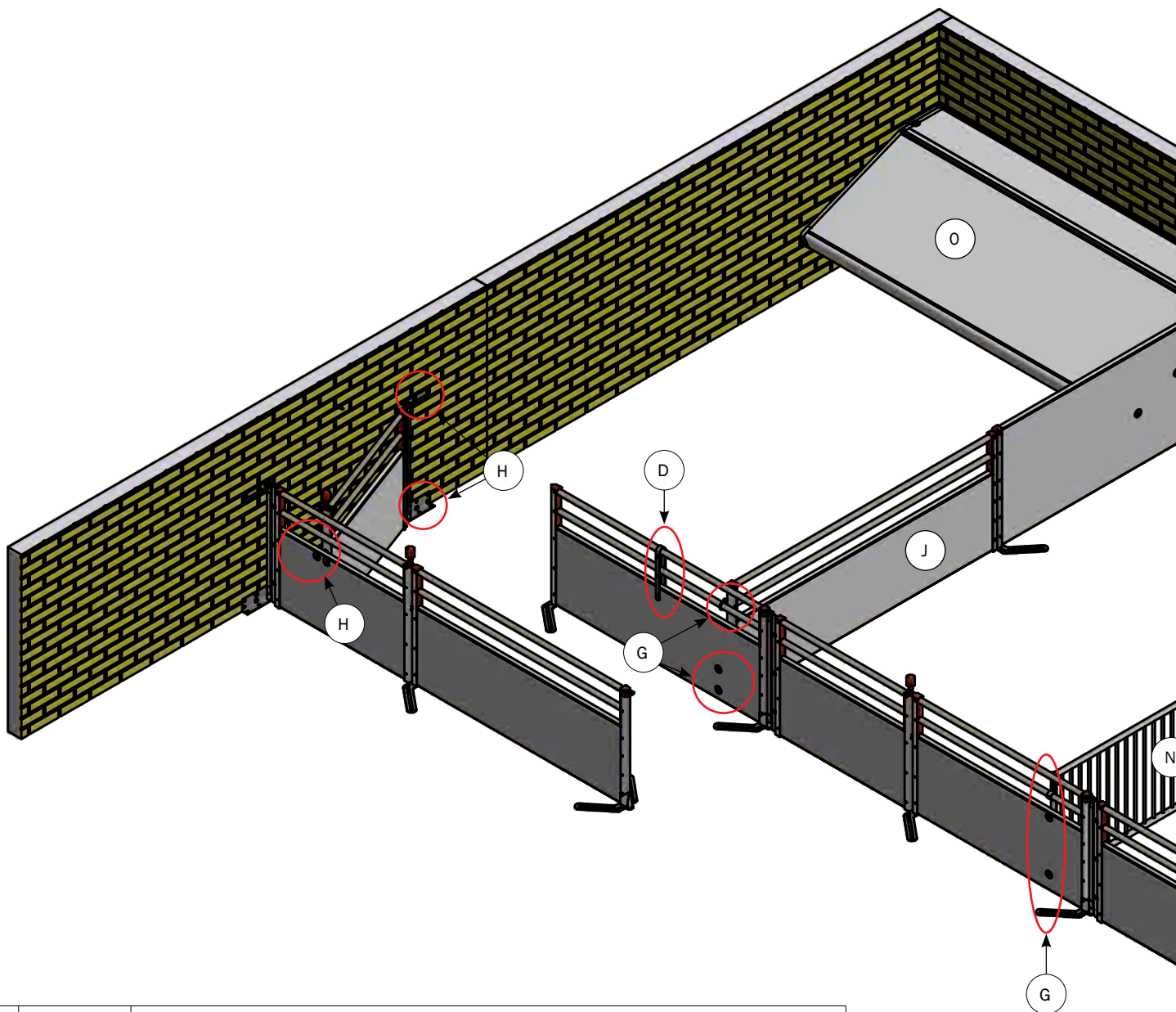
Kirkevænget 5
DK-7400 Herning

Tel. +45 9711 9600

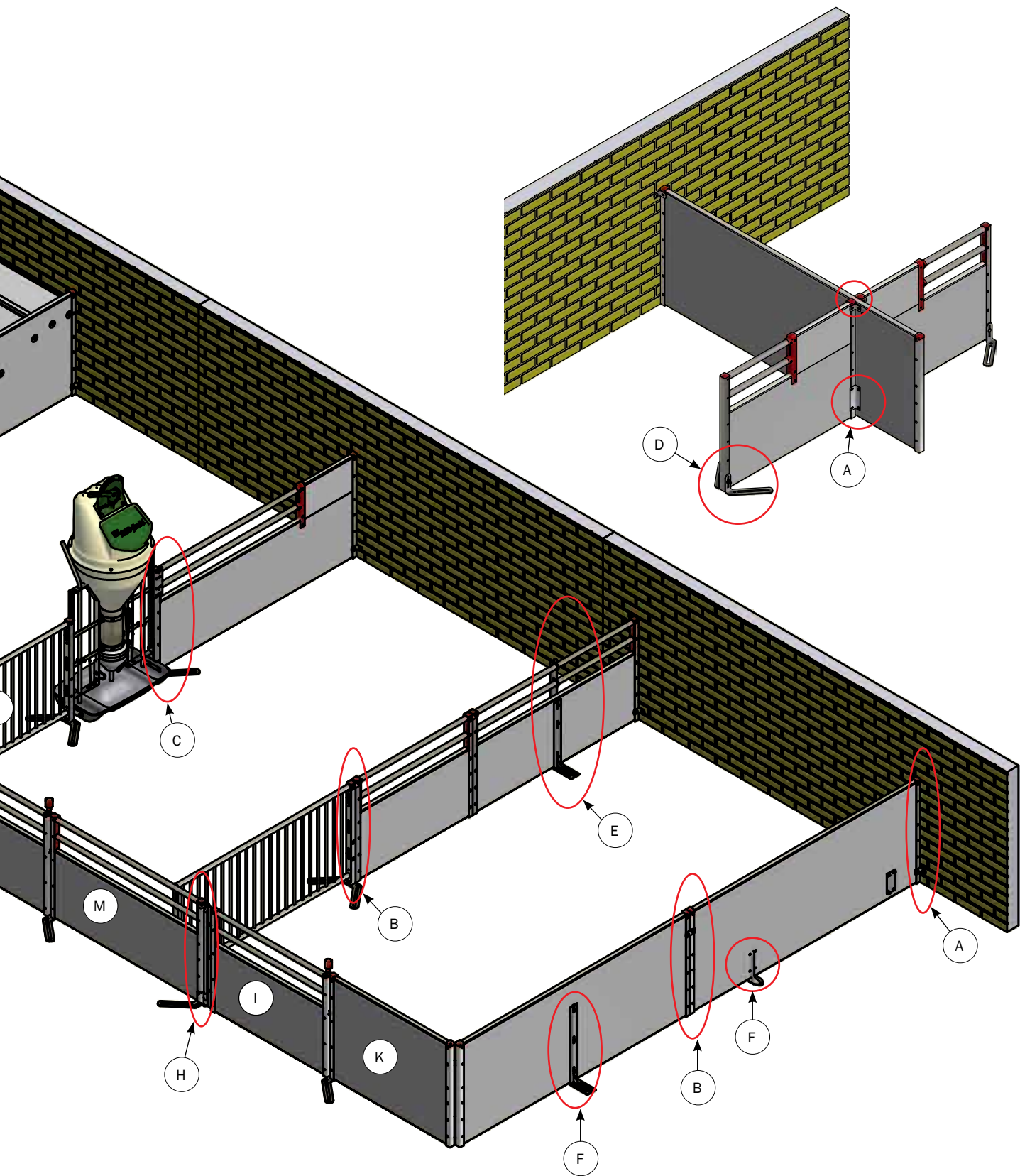
Fax +45 9711 9677

www.acofunki.com

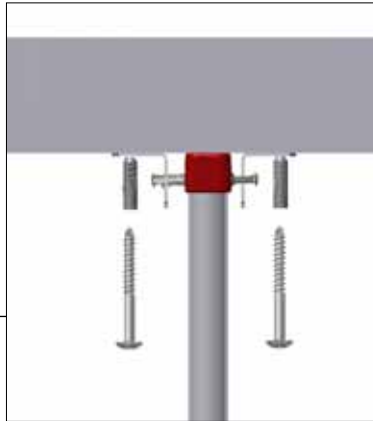
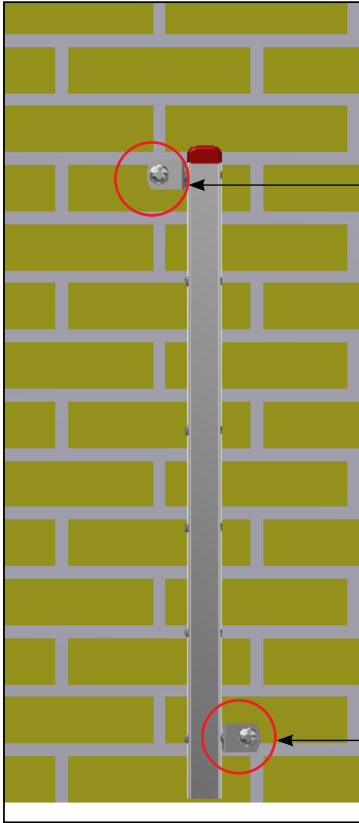
DANISH DESIGN | GERMAN QUALITY | GLOBAL EXPERIENCE



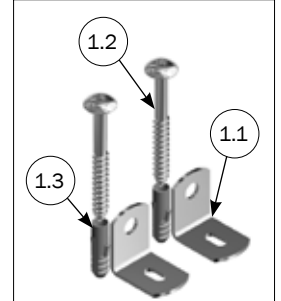
NO.	PAGE	DESCRIPTION
A	4	MOUNTING AGAINST WALL/ MOUNTING DOUBLE PANELWALL AGAINST U-POST
B	5	MOUNTING 2 SIDE IN EXTENSION OF EACH OTHER/U-POST AGAINST GRILLE
C	6	MOUNTING OF U-POST AGAINST FEEDER
D	7	MOUNTING OF LOOS FOUNDATION/ STABILIZATION OF BARS
E	8	STABILIZATION OF SIDE
F	9-10	STABILIZATION IN RESTING AREA
G	11-13	MOUNTING AGAINST FRONT PART
H	14-16	MOUNTING AND ADJUSTMENT OF GATE/GATE STOP
I	17-20	PARTS LIST OF UNASSAMBLED GATE H100
J	21-26	PARTS LIST OF UNASSAMBLED SIDE H100
K	27-30	PARTS LIST OF UNASSAMBLED FRONT PART WITH RECEIVER H100
L	31-34	PARTS LIST OF UNASSAMBLED FRONT PART WITH HINGER H100
M	35-38	PARTS LIST OF UNASSAMBLED FRONT PART WITH HINGER/RECEIVER H100
N	39	OVERVIEW ON GRILLE H100
O	40	FLEX COVER



MOUNTING OF U-POST AGAINST WALL

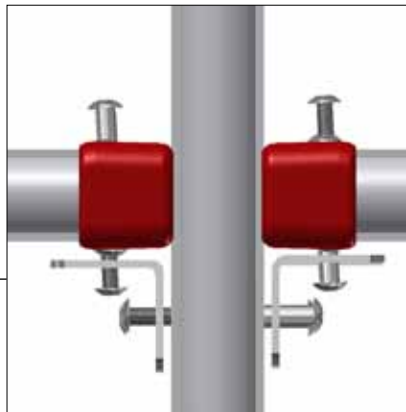
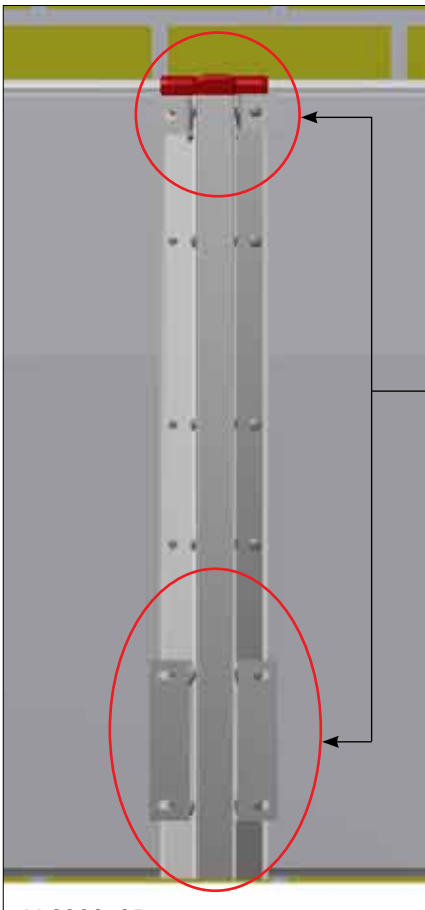


Bracket is Mounted with connection screw from post.

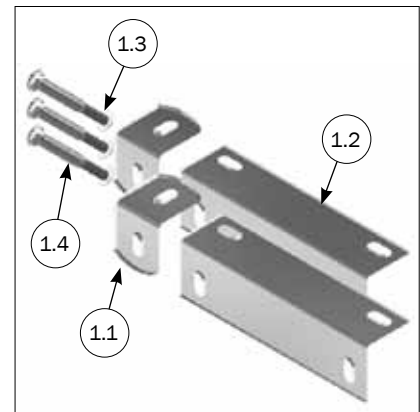


PARTS LIST			
NO.	PCS.	ITEM NO.	DESCRIPTION
1	1	38520	MOUNT KIT FOR U-POST AGAINST WALL
1.1	2	30906	WALL BRACKET ANGLE/PANEL
1.2	2	67444	10 X 70 BUTTON HEAD TORX 50 STAINLESS STEEL
1.3	2	39900001	WALL PLUG 12X60 MM

MOUNTING OF U-POST AGAINST DOUBLE PANELWALL



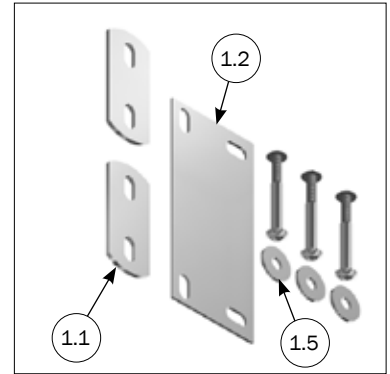
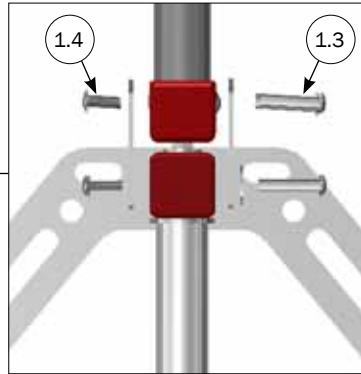
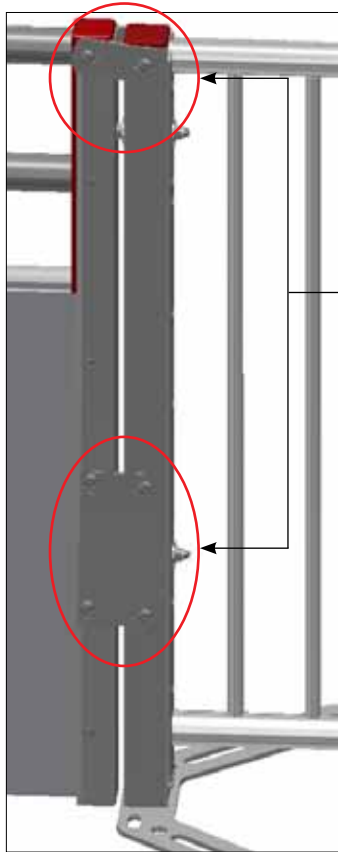
For mounting only 1 wall look at page 13



PARTS LIST			
NO.	PCS.	ITEM NO.	DESCRIPTION
1	1	38530	MOUNT KIT F/UPOST DOUBLE AGAINST PANELWALL
1.1	2	30900	WALL BRACKET SMALL
1.2	2	30901	ANGLE BRACKET, LONG
1.3	3	39106020	CONNECTION SCREW M6X20 STAINLESS TORX 30
1.4	3	39206037	SPLICING SLEEVE M6X37 STAINLESS TORX 30

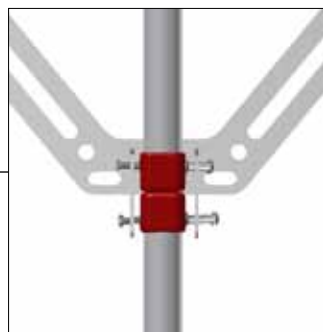
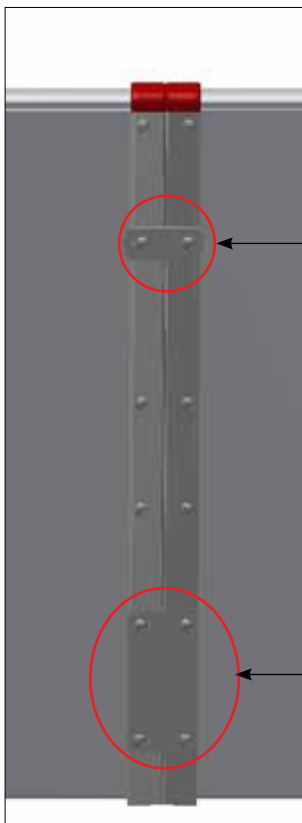
M-6202_GB

MONTERING AF U-STOLPE AGAINST GRILLE

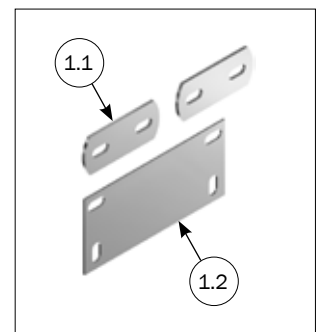


PARTS LIST			
NO.	PCS.	ITEM NO.	DESCRIPTION
1	1	38525	MOUNT KIT F/U-POST AGAINST GRILLE
1.1	2	30902	ASSEMBLY BRACKET FLAT IRON, SMALL
1.2	1	30903	ASSEMBLY BRACKET FLAT IRON, LARGE
1.3	3	39206037	SPLICING SLEEVE M6X37 STAINLESS TORX 30
1.4	3	39106020	CONNECTION SCREW M6X20 STAINLESS TORX 30
1.5	3	35600058	NUT WASHER Ø8X8,4/24/2 A2 DIN9021

MOUNTING OF 2 SIDE IN EXTENSION OF EACH OTHER

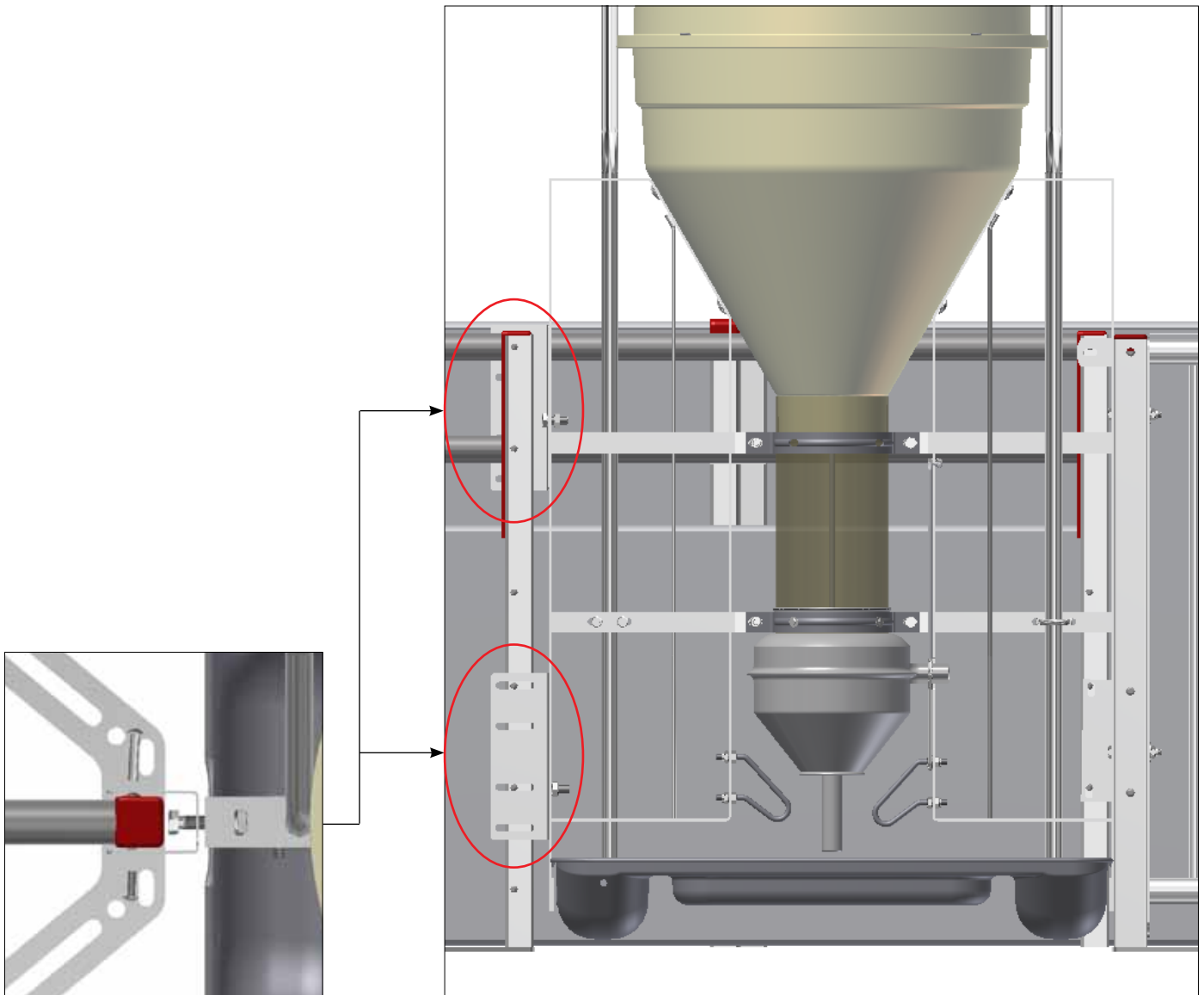


Bracket is Mounted with connection screw from post.

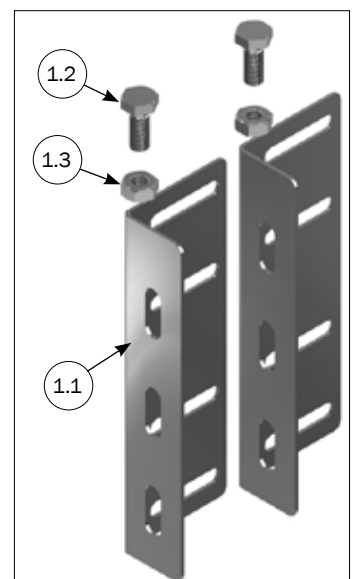


PARTS LIST			
NO.	PCS.	ITEM NO.	DESCRIPTION
1	1	38522	BRACKET FOR MOUNTING 2 SIDE IN EXTENSION OF EACH OTHER
1.1	2	30902	ASSEMBLY BRACKET FLAT IRON, SMALL
1.2	1	30903	ASSEMBLY BRACKET FLAT IRON, LARGE

MOUNTING OF BRACKET ON U-POST AGAINST FEEDER



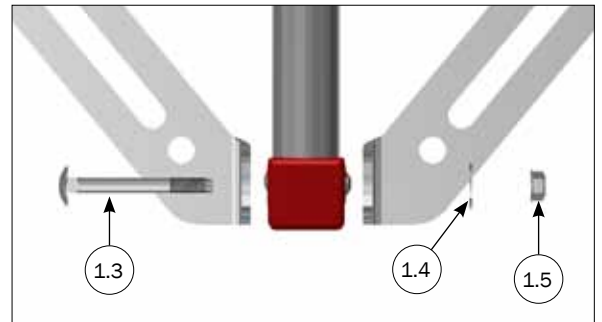
Bracket is mounting with connection screw from post.



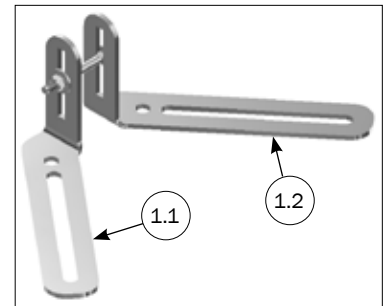
PARTS LIST

NO.	PCS.	ITEM NO.	DESCRIPTION
1	1	38524	MOUNT KIT FOR U-POST AGAINST FEEDERS
1.1	2	30904	TUBE-O-MAT® BRACKET
1.2	2	30310025	SET SCREW M10X25 A2 DIN 933
1.3	2	33510017	NUT M10 A2 DIN 934

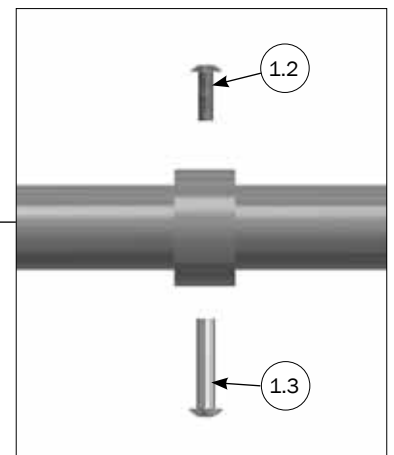
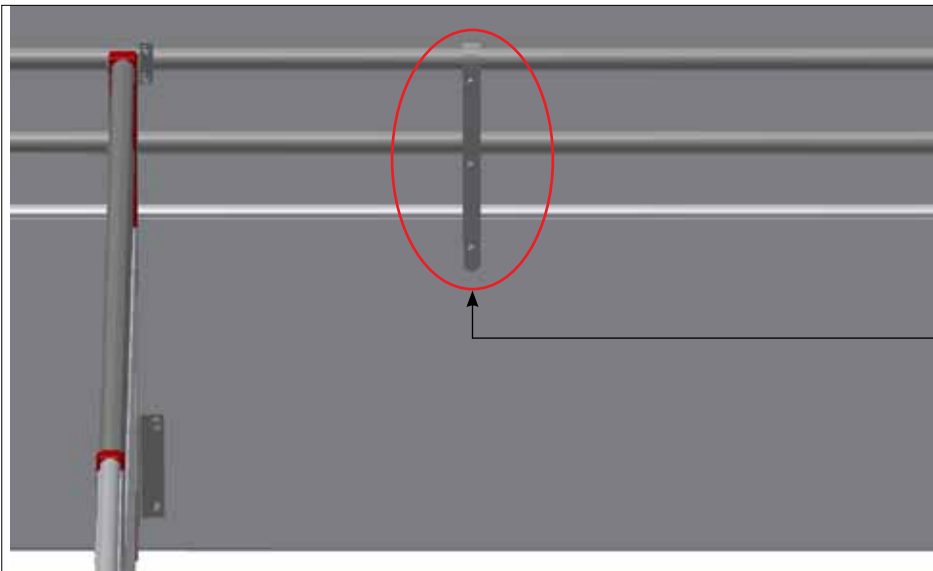
MOUNTING OF LOOSE FOUNDATION



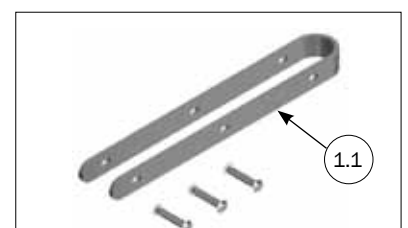
PARTS LIST			
NO.	PCS.	ITEM NO.	DESCRIPTION
1	1	4900803	LOOSE FOUNDATION SET LEFT ANDRIGHT
1.1	1	8450702	HALF FOOT PLATE RIGHT STAINLESS STEEL
1.2	1	8450701	HALF FOOT PLATE LEFT STAINLESS STEEL
1.3	1	36308075	MUSHROOMHEADED BOLT M8X75 A2 DIN 603
1.4	1	35600058	NUT WASHER Ø8X8,4/24/2 A2 DIN9021
1.5	1	68552	M8 FLANGE NUT DIN 6923 A2



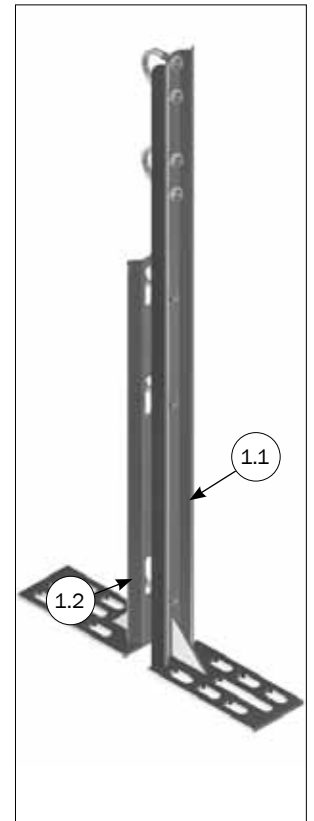
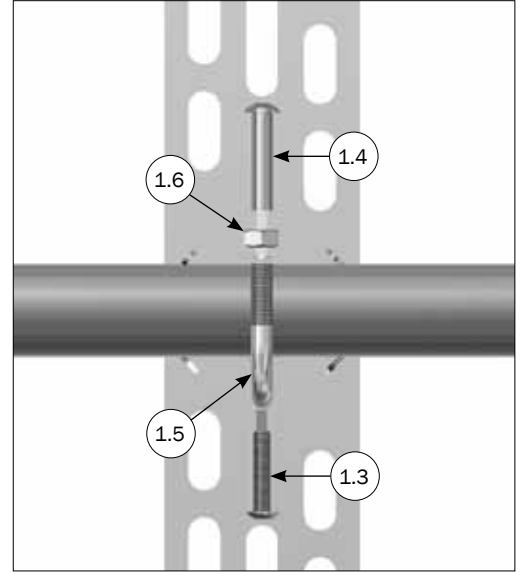
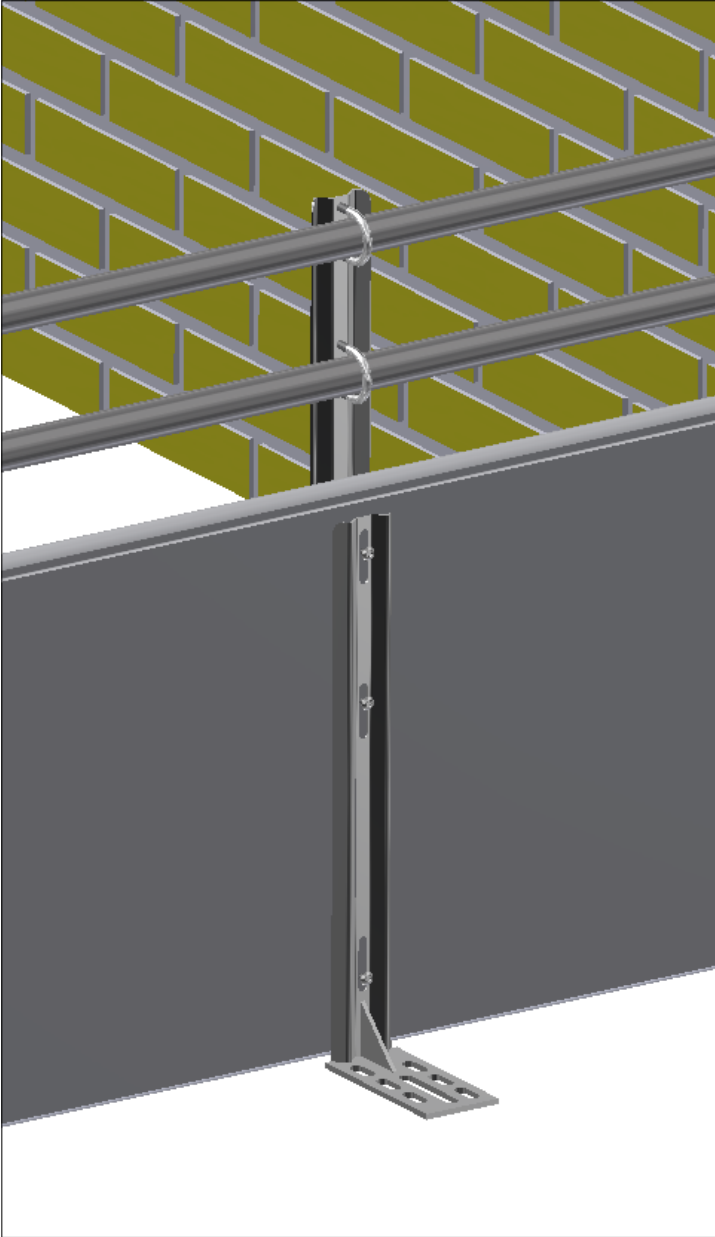
STABILIZATION FOR BARS



PARTS LIST			
NO.	PCS.	ITEM NO.	DESCRIPTION
1	1	4900331	SUPPORT FOR BOARDPROFILE AND BARS, INCL SCREWS
1.1	1	4920331	SUPPORT FOR PANEL AND BARS
1.2	3	39106020	CONNECTION SCREW M6X20 STAINLESS TORX 30
1.3	3	39206037	SPLICING SLEEVE M6X37 STAINLESS TORX 30



STABILIZATION

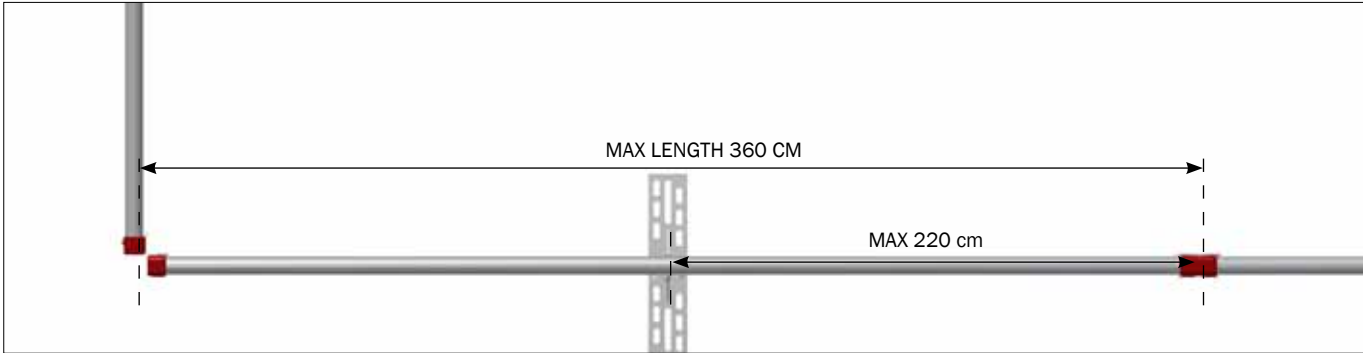


If partition has a length for 2800 mm or more, **must** stabilization post be mounted.

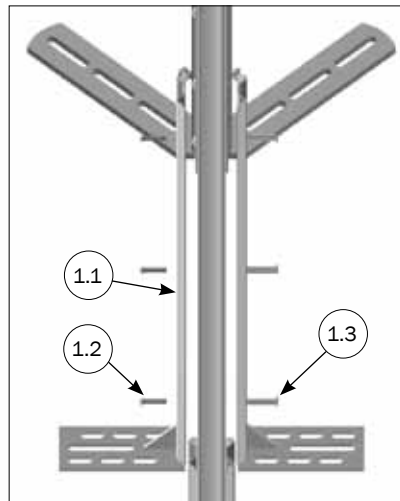
PARTS LIST

NO.	PCS.	ITEM NO.	DESCRIPTION
		38928	STABILISATION POST BOARDPROFILE/2 BARS H75 EX. BOLT FOR FLOOR
1.1	1	38909	STABILISATIONS POST H75 CLEAN-O-FLEX 77,4 CM
1.2	1	38917	STABILIZATION POST H50 CLEAN-O-FLEX 49,5 CM
1.3	3	39106020	CONNECTION SCREW M6X20 STAINLESS TORX 30
1.4	3	39206037	SPLICING SLEEVE M6X37 STAINLESS TORX 30
1.5	2	90100062	U-BOLT 1' STAINLESS
1.6	4	33508013	NUT M8 A2 DIN 934

STABILIZATION IN RESTING AREA WITH POST FOR BOARDPROFILE



For stabilization in resting area
must there for each **MAX 220 cm**
be mounted: "38923"

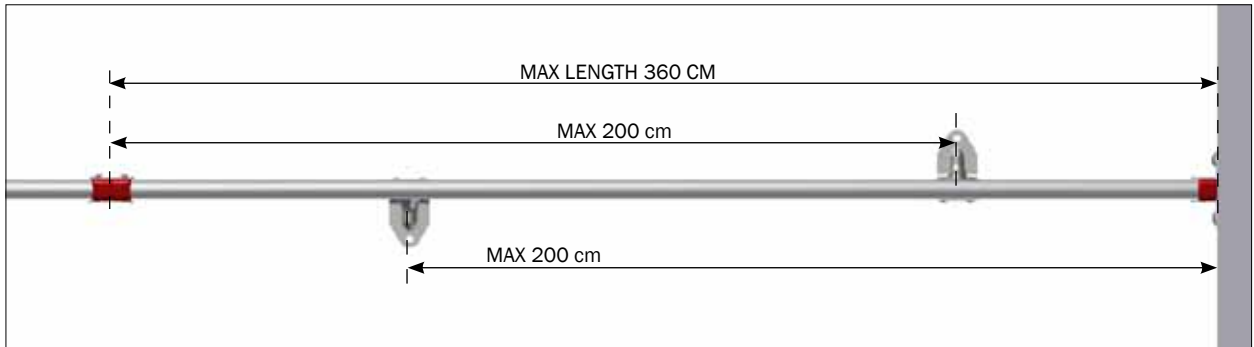


38923
STABILIZATION POST BOARDPROFILE H75/
H100 EX. BOLT FOR FLOOR



PARTS LIST			
NO.	PCS.	ITEM NO.	DESCRIPTION
1	1	38923	STABILIZATION POST BOARDPROFILE H75/H100 EX. BOLT FOR FLOOR
1.1	2	38910	STABILIZATIONS POST H75 CLEAN-O-FLEX 63 CM
1.2	3	39106020	CONNECTION SCREW M6X20 STAINLESS TORX 30
1.3	3	39206037	SPLICING SLEEVE M6X37 STAINLESS TORX 30

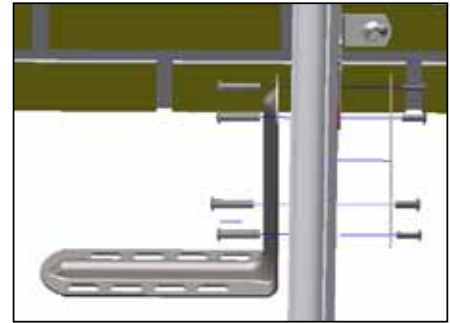
STABILIZATION IN RESTING AREA WITH LOW SUPPORT FOUNDATION



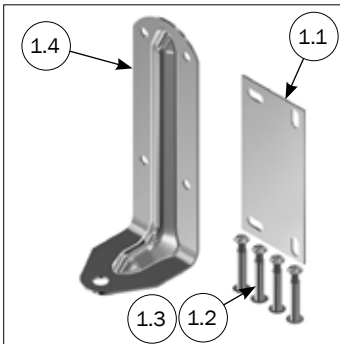
For stabilization in resting area must for each **MAX 220** cm be mounted: "4900802 or"4900806"



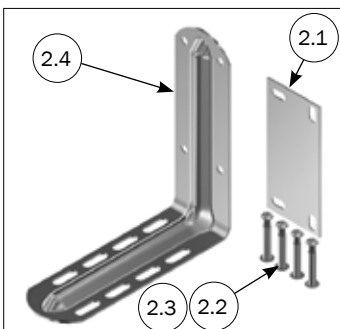
4900806
SUPPORT FOUNDATION FOR CONCRETE
CLEAN-O-FLEX



4900802
SUPPORT FOUNDATION FOR SLATS
CLEAN-O-FLEX

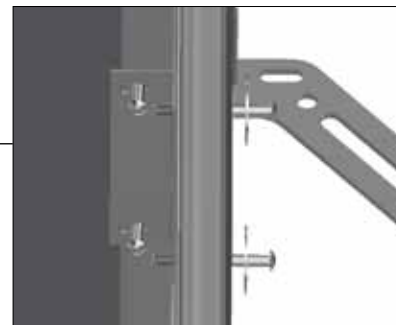
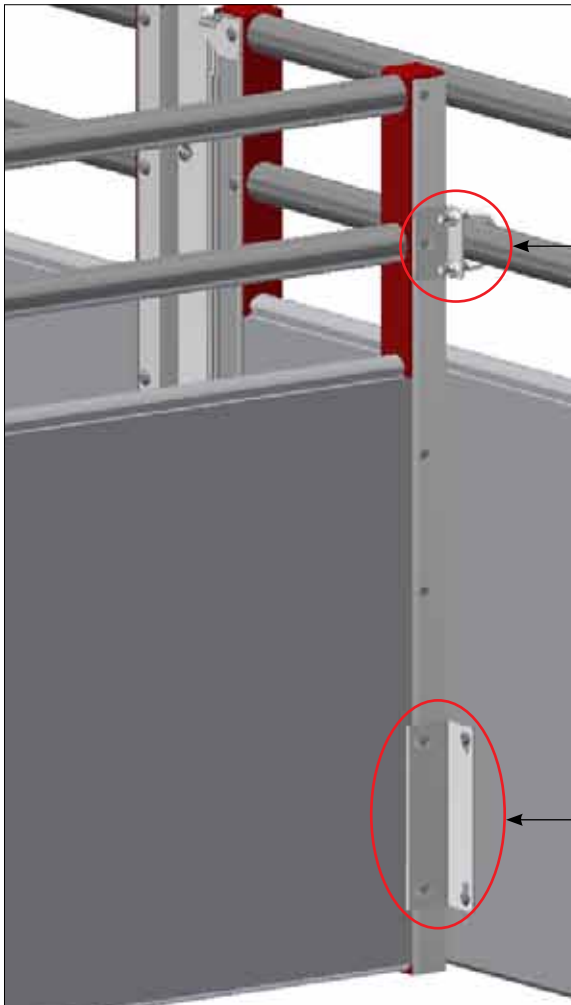


PARTS LIST			
NO.	PCS.	ITEM NO.	DESCRIPTION
1	1	4900806	SUPPORT FOUNDATION FOR CONCRETE CLEAN-O-FLEX
1.1	1	30903	ASSEMBLY BRACKET FLAT IRON, LARGE
1.2	4	39106020	CONNECTION SCREW M6X20 STAINLESS TORX 30
1.3	4	39206037	SPLICING SLEEVE M6X37 STAINLESS TORX 30
1.4	1	30806	SINGLE FOOTBRACKET FOR CONCRET

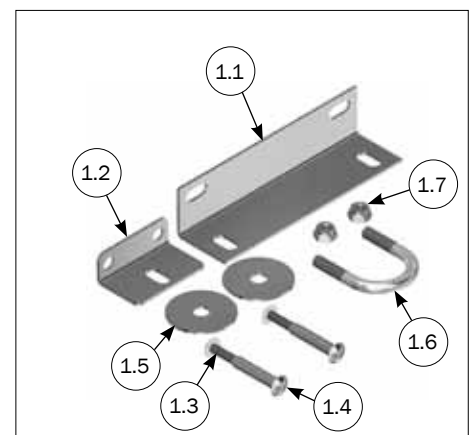


PARTS LIST			
NO.	PCS.	ITEM NO.	DESCRIPTION
2	1	4900802	SUPPORT FOUNDATION FOR SLATS CLEAN-O-FLEX
2.1	1	30903	ASSEMBLY BRACKET FLAT IRON, LARGE
2.2	4	39106020	CONNECTION SCREW M6X20 STAINLESS TORX 30
2.3	4	39206037	SPLICING SLEEVE M6X37 STAINLESS TORX 30
2.4	1	30802	SINGLE FOOTBRACKET FOR SLATS

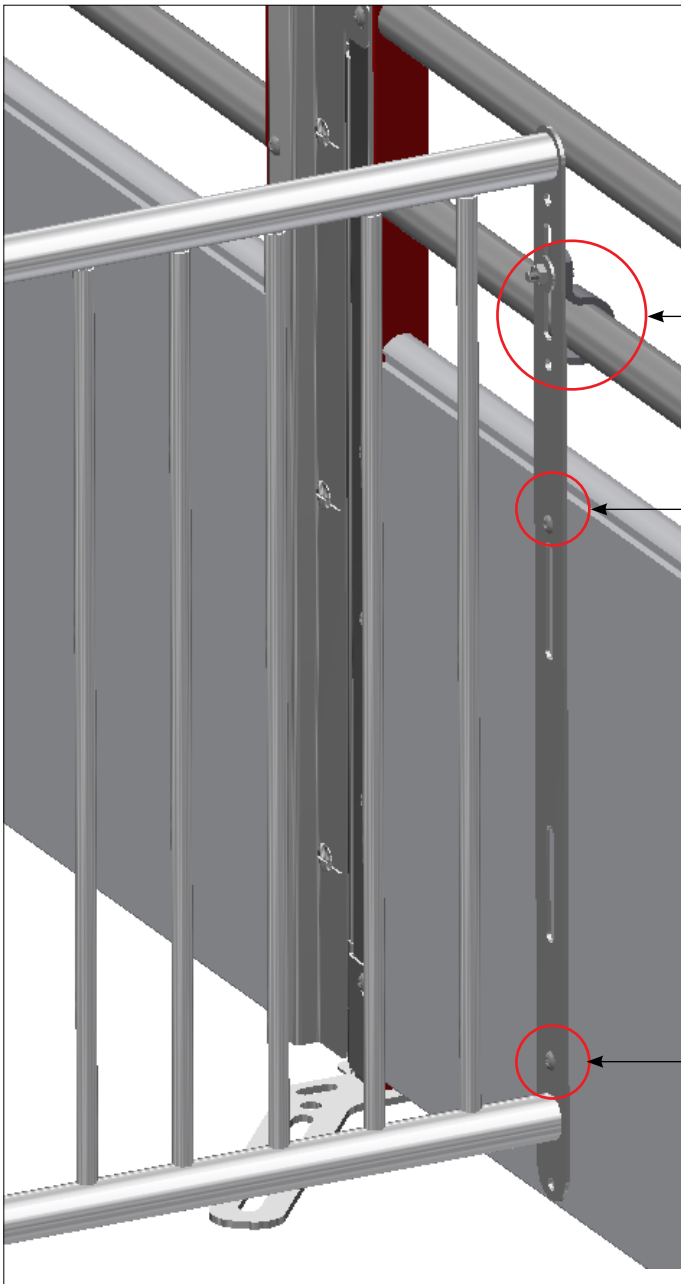
MOUNTING OF U-POST AGAINST FRONT PART BOARDPROFILE/BARS



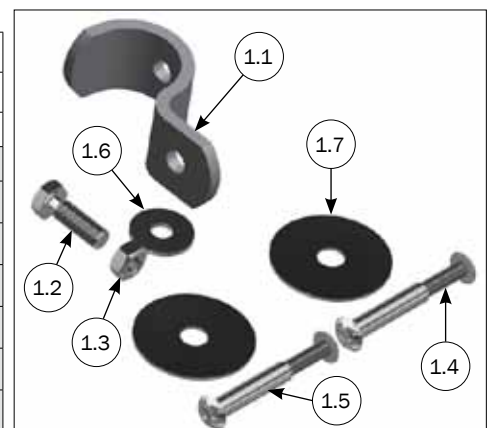
PARTS LIST			
NO.	PCS.	ITEM NO.	DESCRIPTION
1	1	38527	MOUNT KIT F/U-POST AGAINST FRONT PART BOARDPROFILE/BARS
1.1	1	30901	ANGLE BRACKET, LONG
1.2	1	30898	ANGLE BRACKET FOR TOPBAR SMALL
1.3	2	39106020	CONNECTION SCREW M6X20 STAINLESS TORX 30
1.4	2	39206037	SPLICING SLEEVE M6X37 STAINLESS TORX 30
1.5	2	20037	MASTER CLAMP WASHER Ø10,5/45 1,5 A2
1.6	1	90100062	U-BOLT 1' STAINLESS
1.7	2	33908001	LOCK NUT M8 A2 DIN 985



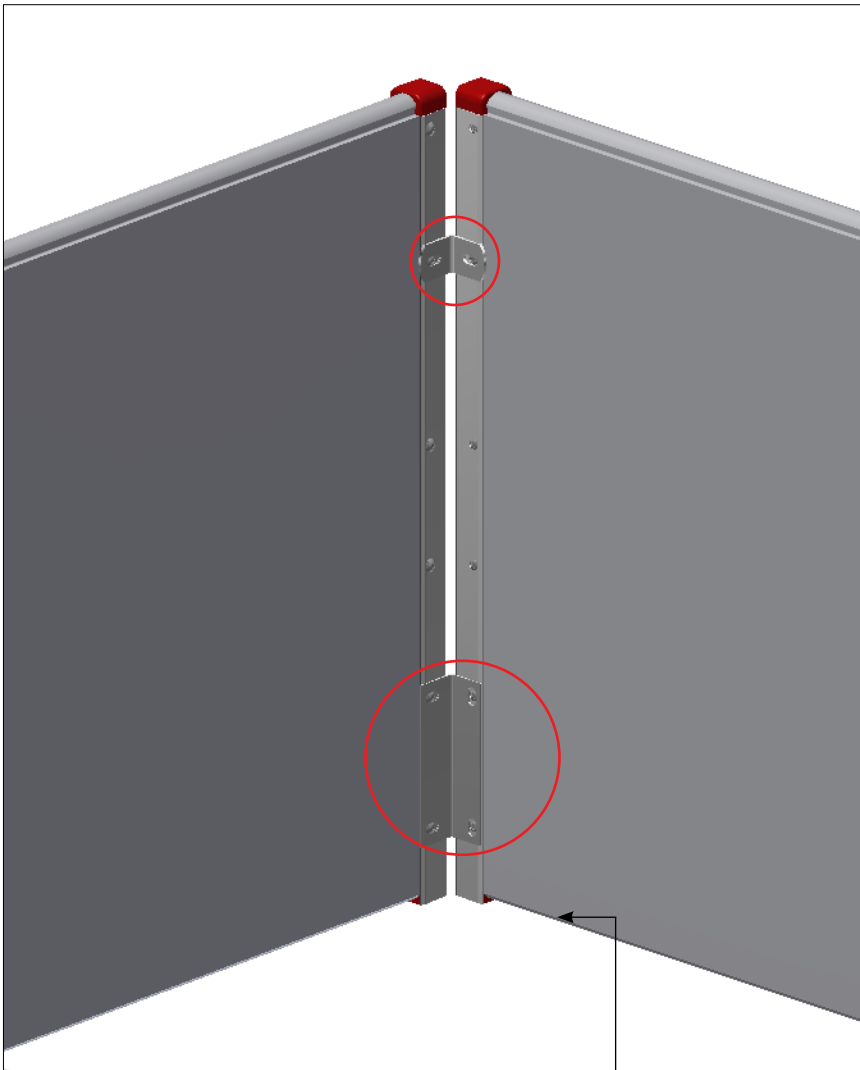
MOUNTING OF GRILLE AGAINST FRONT PART BOARDPROFILE/BARS



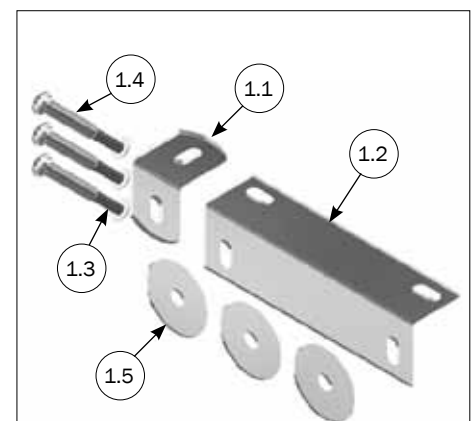
PARTS LIST			
NO.	PCS.	ITEM NO.	DESCRIPTION
1	1	38528	MOUNT KIT F/GRILLE H75-100 AGAINST FRONT PART BOARDPROFILE/BARS
1.1	1	1620081	PIPE FITTING FOR 1" PIPE W/Ø9HOLE
1.2	1	30308025	SET SCREW M8X25 A2 DIN 933
1.3	1	33508013	NUT M8 A2 DIN 934
1.4	2	39106020	CONNECTION SCREW M6X20 STAINLESS TORX 30
1.5	1	39206037	SPLICING SLEEVE M6X37 STAINLESS TORX 30
1.6	1	35600058	NUT WASHER Ø8X8,4/24/2 A2 DIN9021
1.7	2	20037	MASTER CLAMP WASHER Ø10,5/45 1,5 A2



MOUNTING OF U-POST AGAINST U-POST FRONT PART



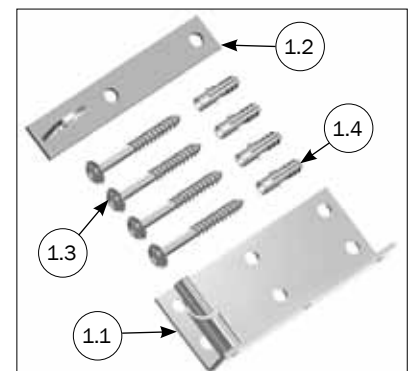
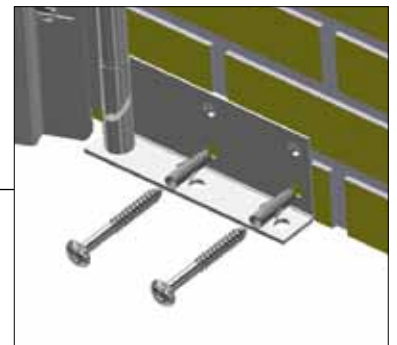
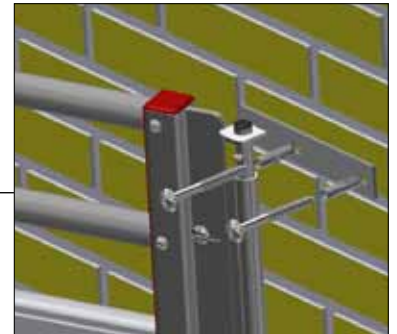
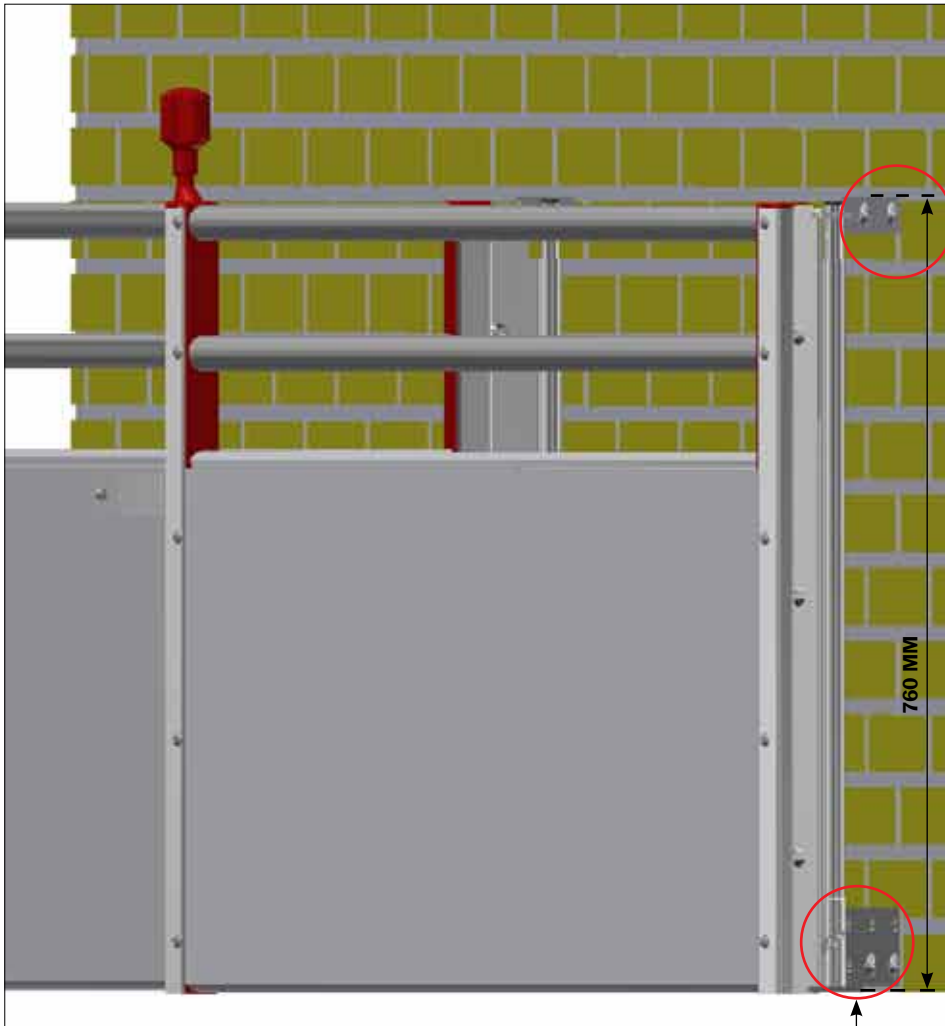
Bracket on U-post is mounted with connection screw from post
POS 1.3-1.4 og 1.5 is not in use.



PATRS LIST

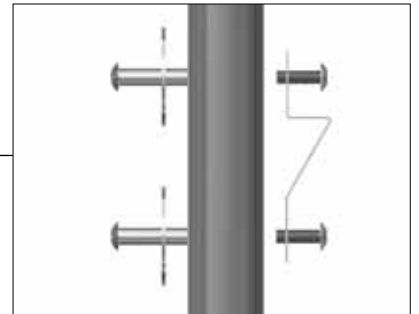
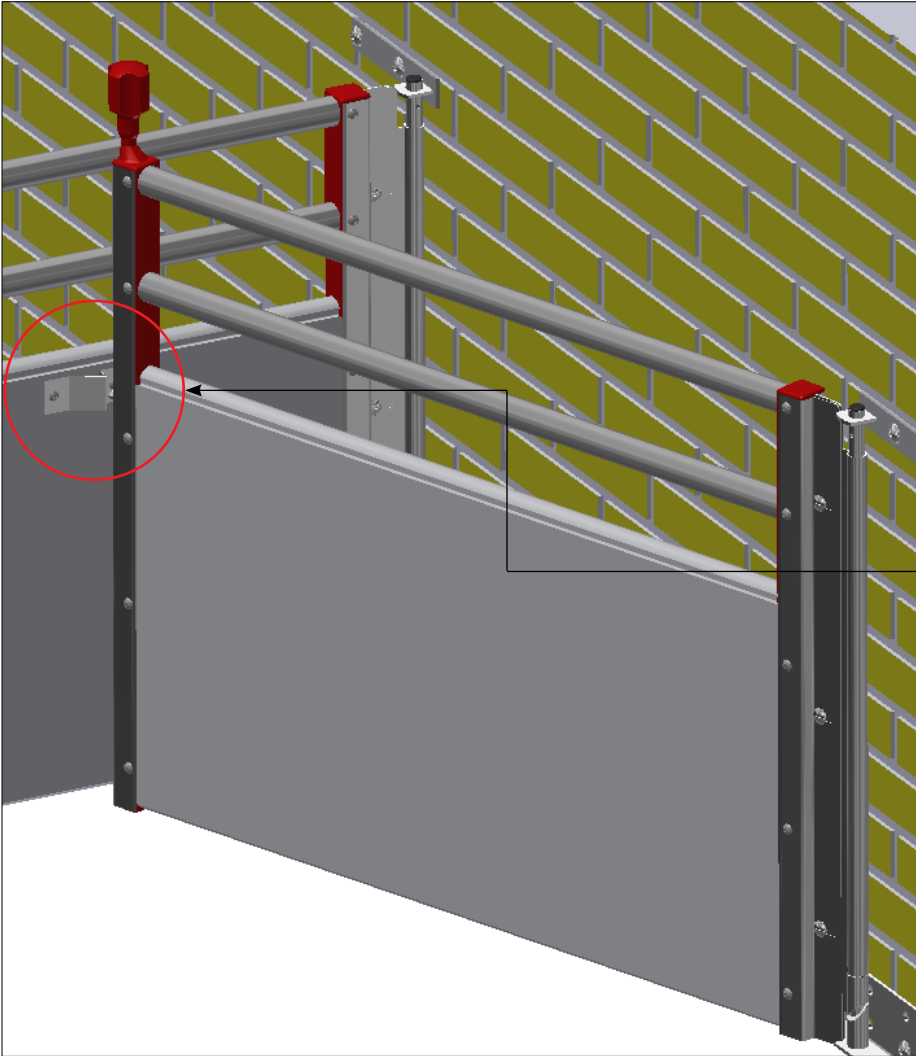
NO.	PCS.	ITEM NO.	DESCRIPTION
1	1	38526	MOUNT KIT F/UPOST AGAINST FRONT PART BOARDPROFILE
1.1	1	30900	WALL BRACKET SMALL
1.2	1	30901	ANGLE BRACKET, LONG
1.3	3	39106020	CONNECTION SCREW M6X20 STAINLESS TORX 30
1.4	3	39206037	SPLICING SLEEVE M6X37 STAINLESS TORX 30
1.5	3	20037	MASTER CLAMP WASHER Ø10,5/45 1,5 A2

MOUNTING OF GATE AGAINST WALL

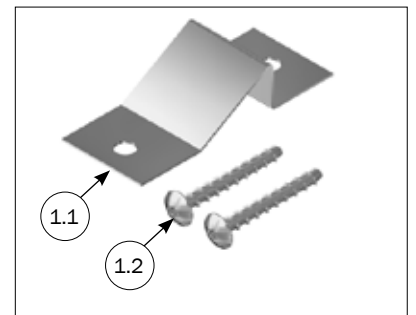


PARTS LIST			
NO.	PCS.	ITEM NO.	DESCRIPTION
1	1	38538	MOUNT KIT W/PINTLE LEFT F/GATE AGAINST WALL
1.1	1	17400	PINTLE BRACKET BASE LEFT
1.2	1	17402	PINTLE BRACKET PEG
1.3	4	67444	10 X 70 BUTTON HEAD TORX 50 STAINLESS STEEL
1.4	4	39900001	WALL PLUG 12X60 MM

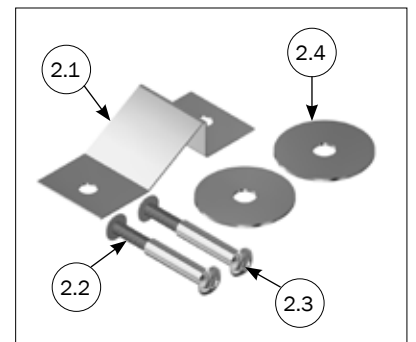
MOUNTING OF GATE STOP



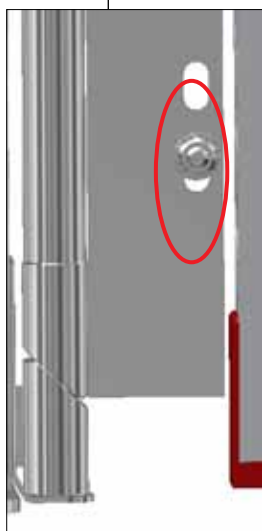
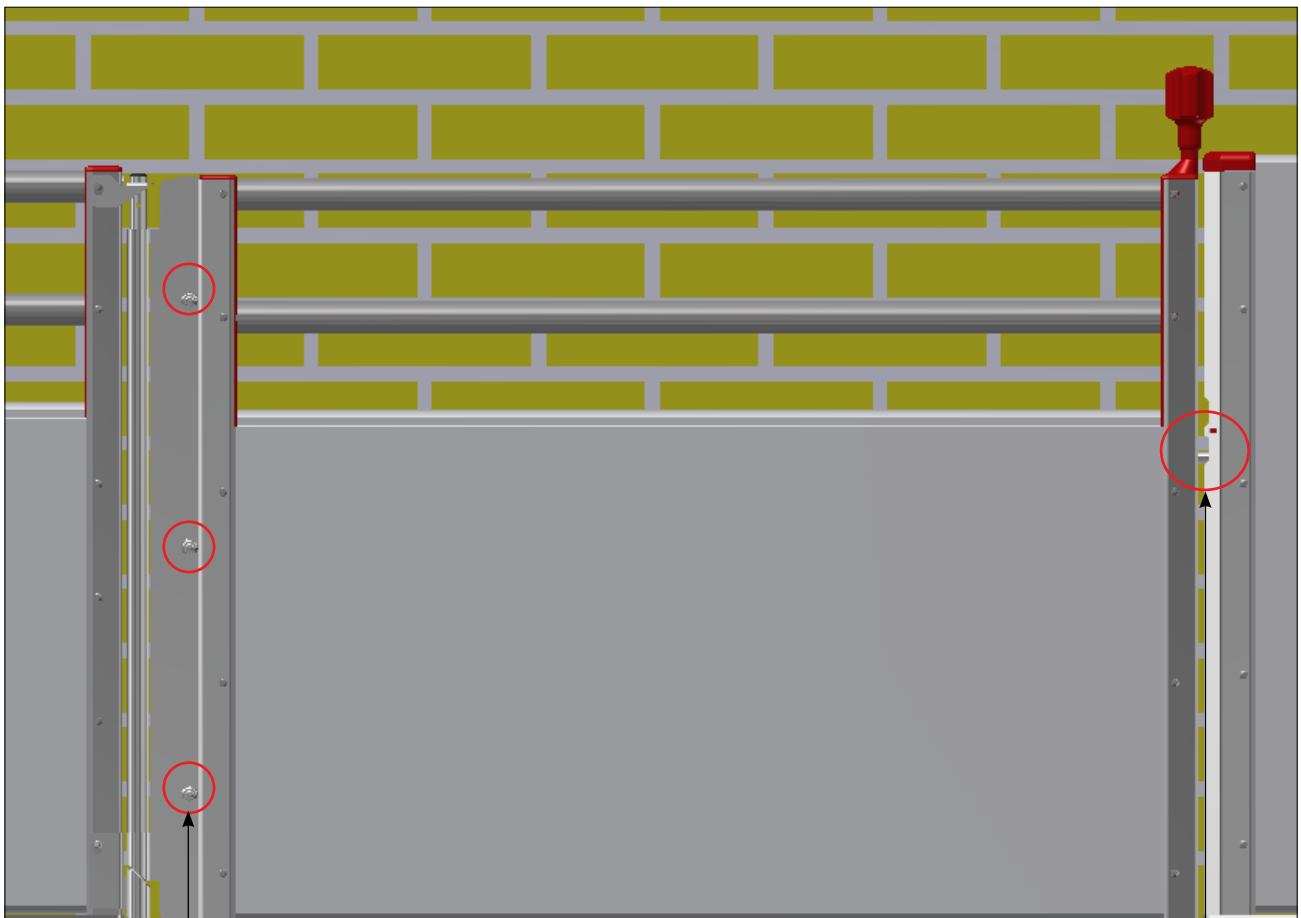
Gate stop is mounted on wall or gate on the opposite side of the hallway and placed in the same height as the lock pawl



PARTS LIST			
NO.	PCS.	ITEM NO.	DESCRIPTION
		38537	MOUNT KIT FOR GATE STOP AGAINST WALL
1.1	1	38935	GATE STOP
1.2	2	39406050	CONCRETE SCREW 6,5 X 50 STAINLESS STEEL
1	1	38536	MOUNT KIT F/GATE STOP OPPOSITE GATE
2.1	1	38935	GATE STOP
2.2	2	39106020	CONNECTION SCREW M6X20 STAINLESS TORX 30
2.3	2	39206037	SPLICING SLEEVE M6X37 STAINLESS TORX 30
2.4	2	20037	MASTER CLAMP WASHER Ø10,5/45 1,5 A2



ADJUSTMENT OF GATE

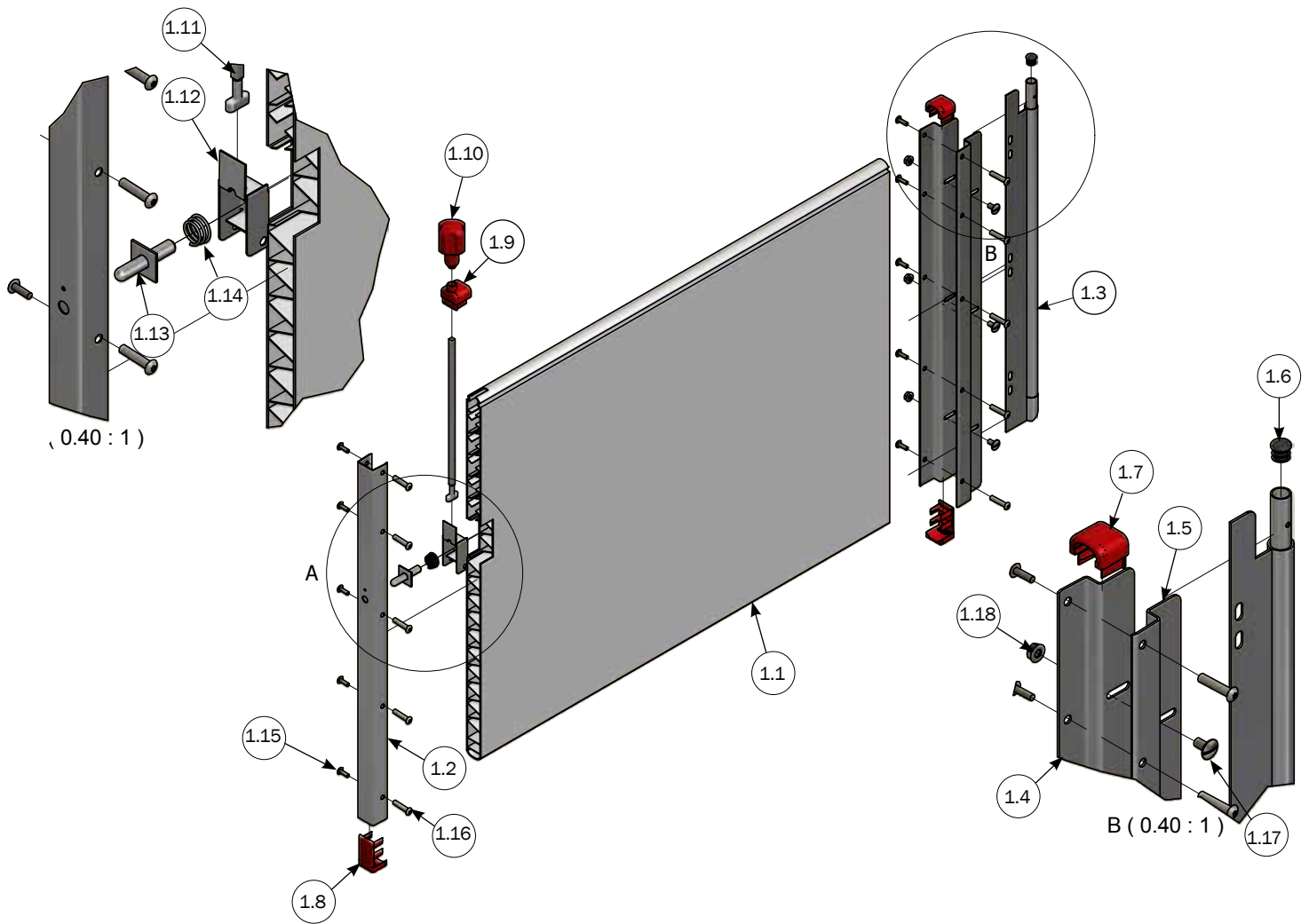


For adjustment or lift of gate must the 3 bolt in hinge rail be loosened.

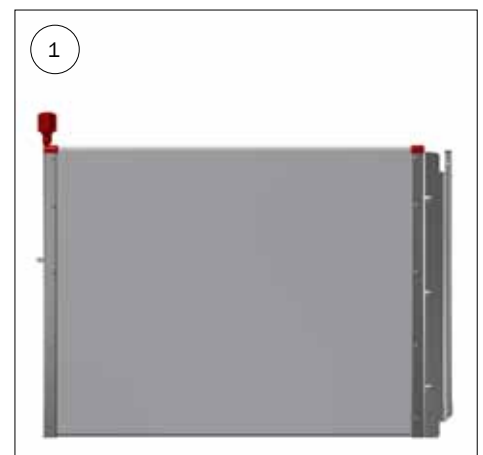


Distance between U-post on gate and receiverpost is: 5 mm

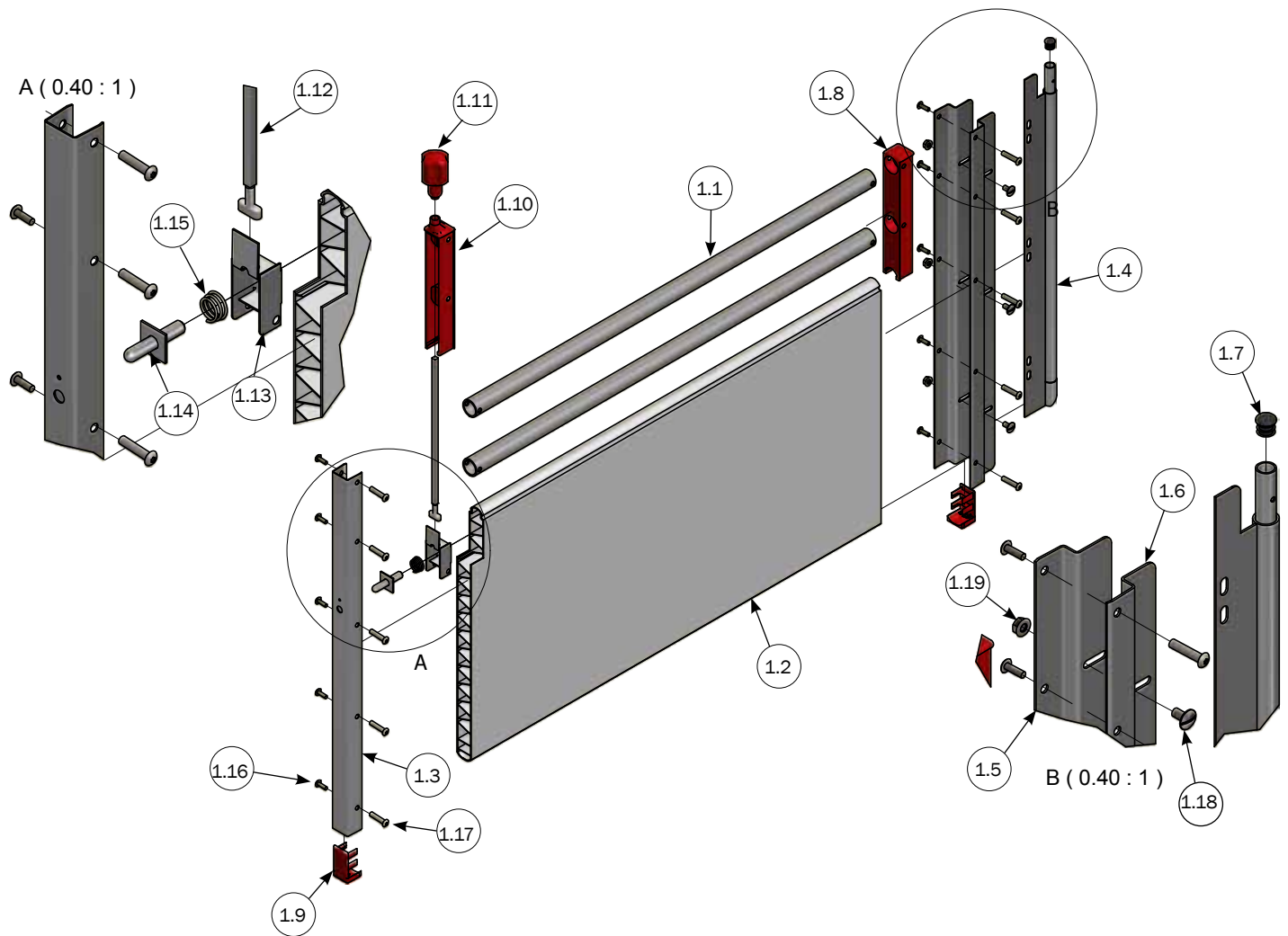
GATE FOR CLEAN-O-FLEX 750 300-1400 MM BOARDPROFILE WITH TWIST LOCK



NO.	ITEM NO.	DESCRIPTION
1	34500	GATE H75 BOARDPROFILE 300-1400 MM WITH TWISTLOCK
1.1	30105	BOARDPROFILE 35X750 MM SPEC. LENGTH PRICE PER METER
1.2	34784	U-PROFIL H:750 FOR GATE W/HOLE
1.3	34829	HINGE RAIL H75 CM INCL. PEG
1.4	34811	CLEAN-O-FLEX® Z-RAIL H75 LEFT
1.5	34812	CLEAN-O-FLEX® Z-RAIL H75 RIGHT
1.6	30077	PLUG Ø18 X 0,8-2,5/WELD ON PEG
1.7	30001	PLUG PANEL TOP
1.8	30013	PLUG PANEL BOTTOM 50 CM/75 CM PANEL
1.9	30008	PLUG PANEL TOP/GATE LOCK
1.10	30020	KNOB TURN ROD CLEAN-O-FLEX®/INN-O-FLEX
1.11	38841	TURN ROD 8 MM GATE H100 CM
1.12	17220	LOCK BOX CLEAN-O-FLEX® PANEL GATE
1.13	17215	LOCK PAWL 68 MM TURN LOCK
1.14	17250	SPRING 2,25 X 14/32 LOCK BOX
1.15	39106020	CONNECTION SCREW M6X20 STAINLESS TORX 30
1.16	39206037	SPLICING SLEEVE M6X37 STAINLESS TORX 30
1.17	67323	8 X 16 SCREW SS FRH
1.18	68552	M8 FLANGE NUT DIN 6923 A2



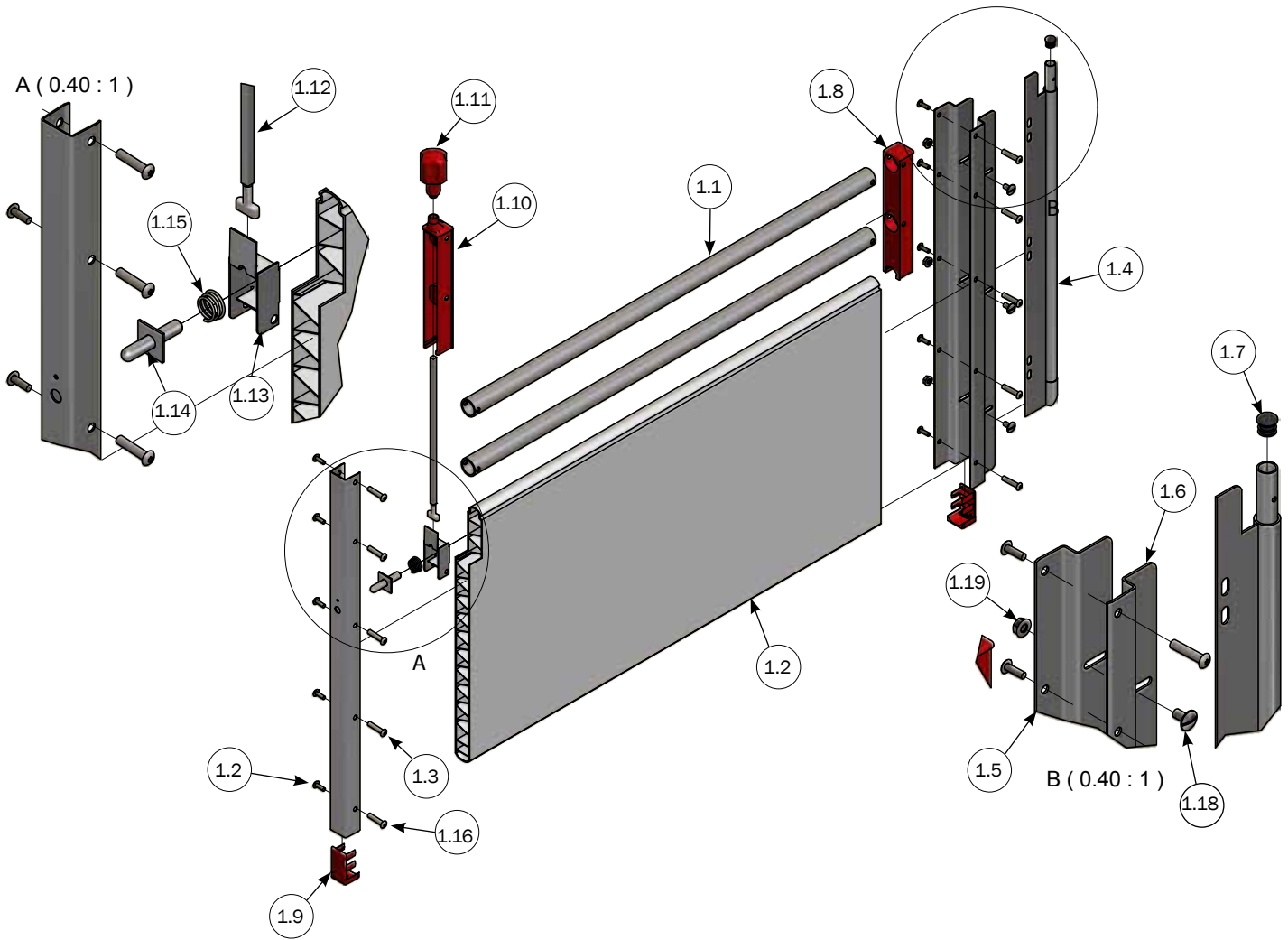
GATE FOR CLEAN-O-FLEX 750 BOARDPROFILE/2 PIPE 300-1400 MM WITH TWIST LOCK



NO.	ITEM NO.	DESCRIPTION
1	34420	GATE H75 BOARDPROFILE/2 BARS 300-1400 MM WITH TWISTLOCK
1.1	112406	33.7 X 2.60 PIPE GALV. PRICE PER METER, LENGTH 6 METER
1.2	30102	BOARDPROFILE 35X500 MM SPEC. LENGTH PRICE PER METER
1.3	34784	U-PROFIL H:750 FOR GATE W/HOLE
1.4	34829	HINGE RAIL H75 CM INCL. PEG
1.5	34811	CLEAN-O-FLEX® Z-RAIL H75 LEFT
1.6	34812	CLEAN-O-FLEX® Z-RAIL H75 RIGHT
1.7	30077	PLUG Ø18 X 0,8-2,5/WELD ON PEG
1.8	30006	PLUG PANEL TOP 2 TOP PIPES
1.9	30013	PLUG PANEL BOTTOM 50 CM/75 CM PANEL
1.10	30009	PLUG PANEL 2 TOPPIPES/GATE LOCK
1.11	30020	KNOB TURN ROD CLEAN-O-FLEX®/INN-O-FLEX
1.12	38841	TURN ROD 8 MM GATE H100 CM
1.13	17220	LOCK BOX CLEAN-O-FLEX® PANEL GATE
1.14	17215	LOCK PAWL 68 MM TURN LOCK
1.15	17250	SPRING 2,25 X 14/32 LOCK BOX
1.16	39106020	CONNECTION SCREW M6X20 STAINLESS TORX 30
1.17	39206037	SPLICING SLEEVE M6X37 STAINLESS TORX 30
1.18	67323	8 X 16 SCREW SS FRH
1.19	68552	M8 FLANGE NUT DIN 6923 A2



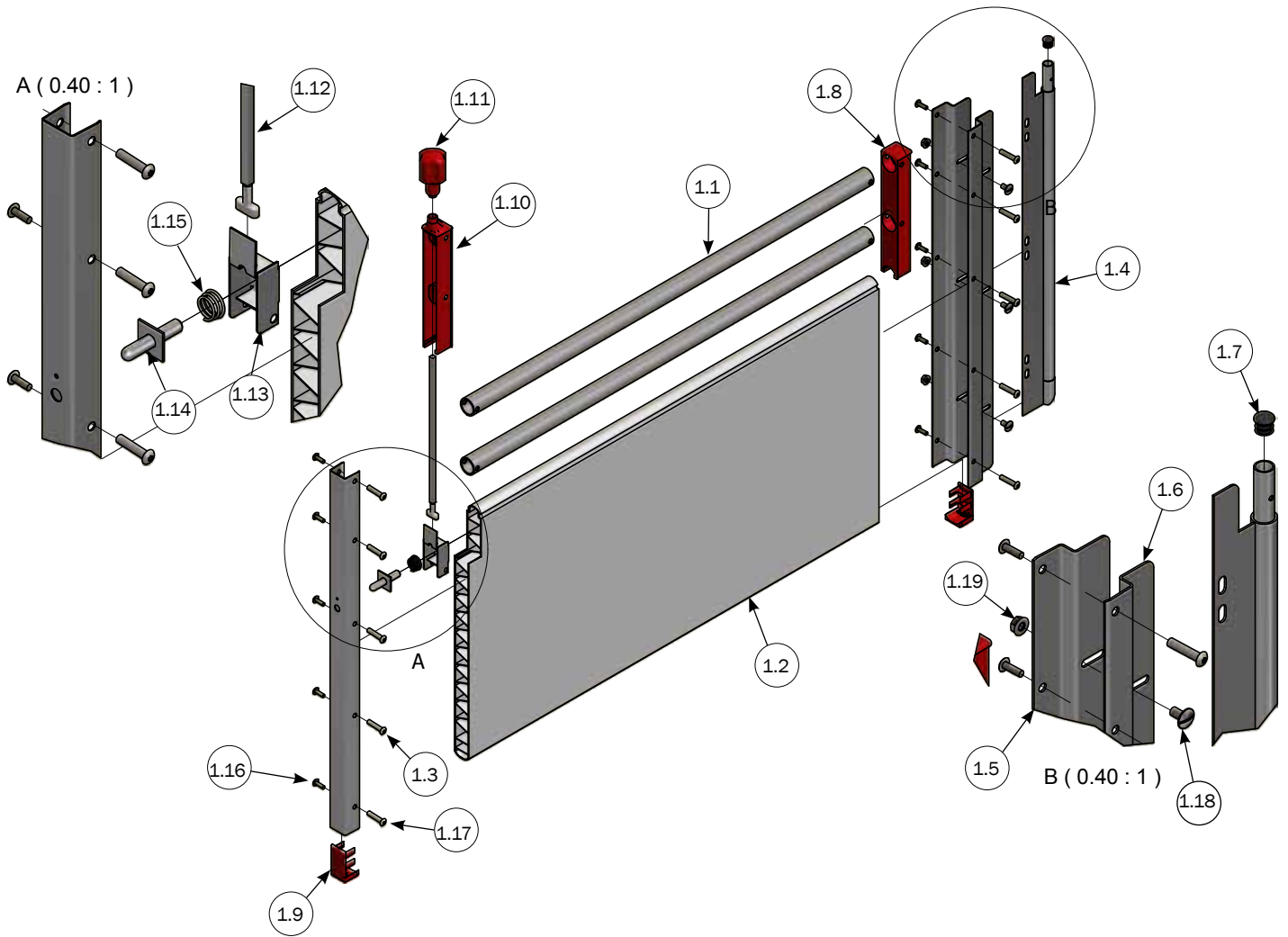
GATE FOR CLEAN-O-FLEX 750 BOARDPROFILE/2 PIPE 1200 MM WITH TWIST LOCK



NO.	ITEM NO.	DESCRIPTION
1	3210212	GATE H75 BOARDPROFILE/2 BARS 1200 MM WITH TWISTLOCK
1.1	112406	33.7 X 2.60 PIPE GALV. PRICE PER METER, LENGTH 6 METER
1.2	30102	BOARDPROFILE 35X500 MM SPEC. LENGTH PRICE PER METER
1.3	34784	U-PROFIL H:750 FOR GATE W/HOLE
1.4	34829	HINGE RAIL H75 CM INCL. PEG
1.5	34811	CLEAN-O-FLEX® Z-RAIL H75 LEFT
1.6	34812	CLEAN-O-FLEX® Z-RAIL H75 RIGHT
1.7	30077	PLUG Ø18 X 0,8-2,5/WELD ON PEG
1.8	30006	PLUG PANEL TOP 2 TOP PIPES
1.9	30013	PLUG PANEL BOTTOM 50 CM/75 CM PANEL
1.10	30009	PLUG PANEL 2 TOPPIPES/GATE LOCK
1.11	30020	KNOB TURN ROD CLEAN-O-FLEX®/INN-O-FLEX
1.12	38841	TURN ROD 8 MM GATE H100 CM
1.13	17220	LOCK BOX CLEAN-O-FLEX® PANEL GATE
1.14	17215	LOCK PAWL 68 MM TURN LOCK
1.15	17250	SPRING 2,25 X 14/32 LOCK BOX
1.16	39106020	CONNECTION SCREW M6X20 STAINLESS TORX 30
1.17	39206037	SPLICING SLEEVE M6X37 STAINLESS TORX 30
1.18	67323	8 X 16 SCREW SS FRH
1.19	68552	M8 FLANGE NUT DIN 6923 A2



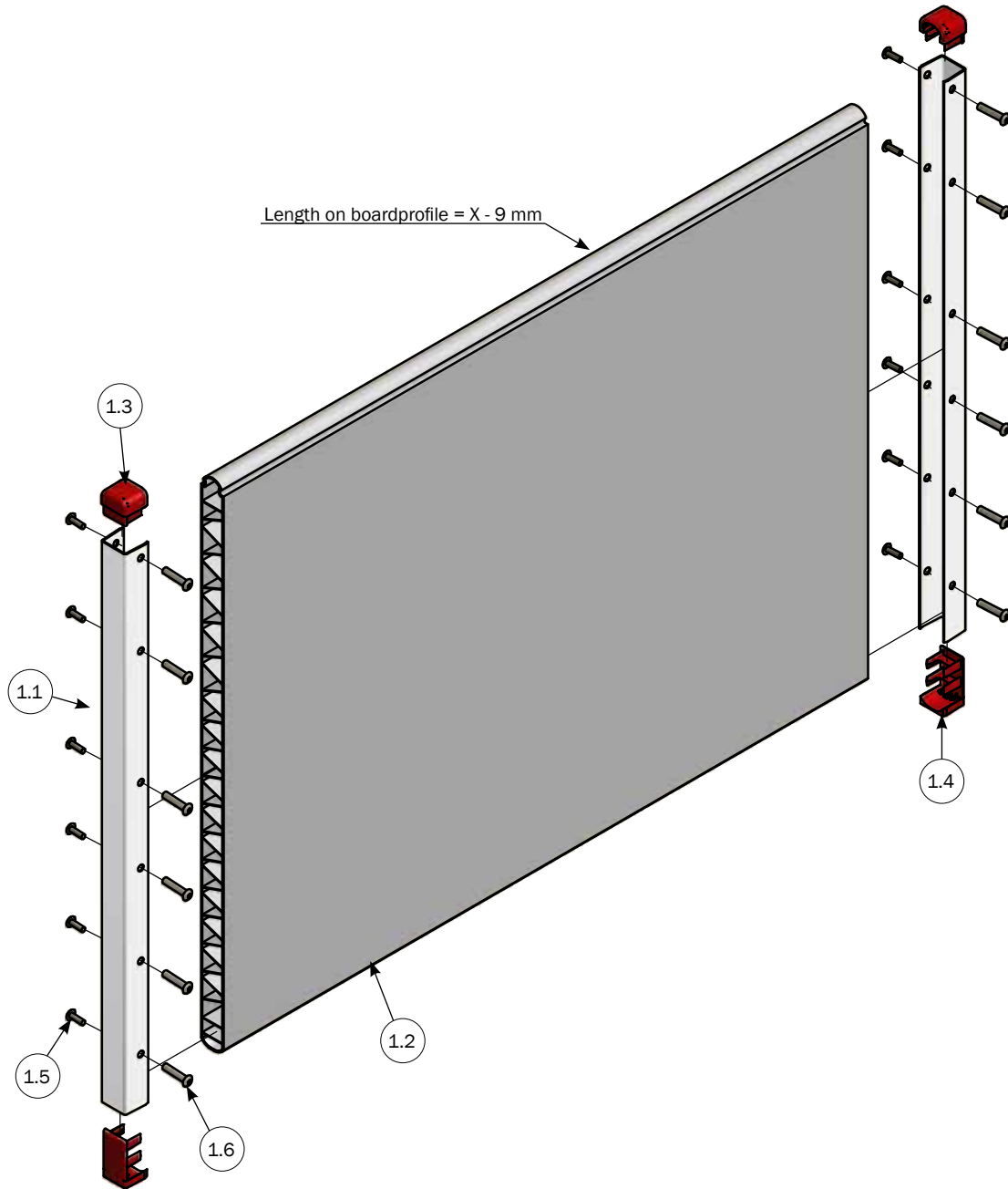
GATE FOR CLEAN-O-FLEX 750 BOARDPROFILE/2 PIPE 1300 MM WITH TWIST LOCK



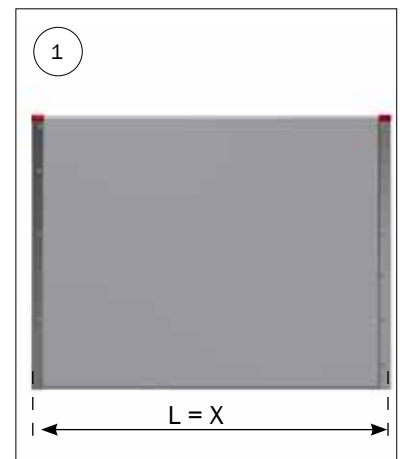
NO.	ITEM NO.	DESCRIPTION
1	3210213	GATE H75 BOARDPROFILE/2 BARS 1300 MM WITH TWISTLOCK
1.1	112406	33.7 X 2.60 PIPE GALV. PRICE PER METER, LENGTH 6 METER
1.2	30102	BOARDPROFILE 35X500 MM SPEC. LENGTH PRICE PER METER
1.3	34784	U-PROFIL H:750 FOR GATE W/HOLE
1.4	34829	HINGE RAIL H75 CM INCL. PEG
1.5	34811	CLEAN-O-FLEX® Z-RAIL H75 LEFT
1.6	34812	CLEAN-O-FLEX® Z-RAIL H75 RIGHT
1.7	30077	PLUG Ø18 X 0,8-2,5/WELD ON PEG
1.8	30006	PLUG PANEL TOP 2 TOP PIPES
1.9	30013	PLUG PANEL BOTTOM 50 CM/75 CM PANEL
1.10	30009	PLUG PANEL 2 TOPPIPES/GATE LOCK
1.11	30020	KNOB TURN ROD CLEAN-O-FLEX®/INN-O-FLEX
1.12	38841	TURN ROD 8 MM GATE H100 CM
1.13	17220	LOCK BOX CLEAN-O-FLEX® PANEL GATE
1.14	17215	LOCK PAWL 68 MM TURN LOCK
1.15	17250	SPRING 2,25 X 14/32 LOCK BOX
1.16	39106020	CONNECTION SCREW M6X20 STAINLESS TORX 30
1.17	39206037	SPLICING SLEEVE M6X37 STAINLESS TORX 30
1.18	67323	8 X 16 SCREW SS FRH
1.19	68552	M8 FLANGE NUT DIN 6923 A2



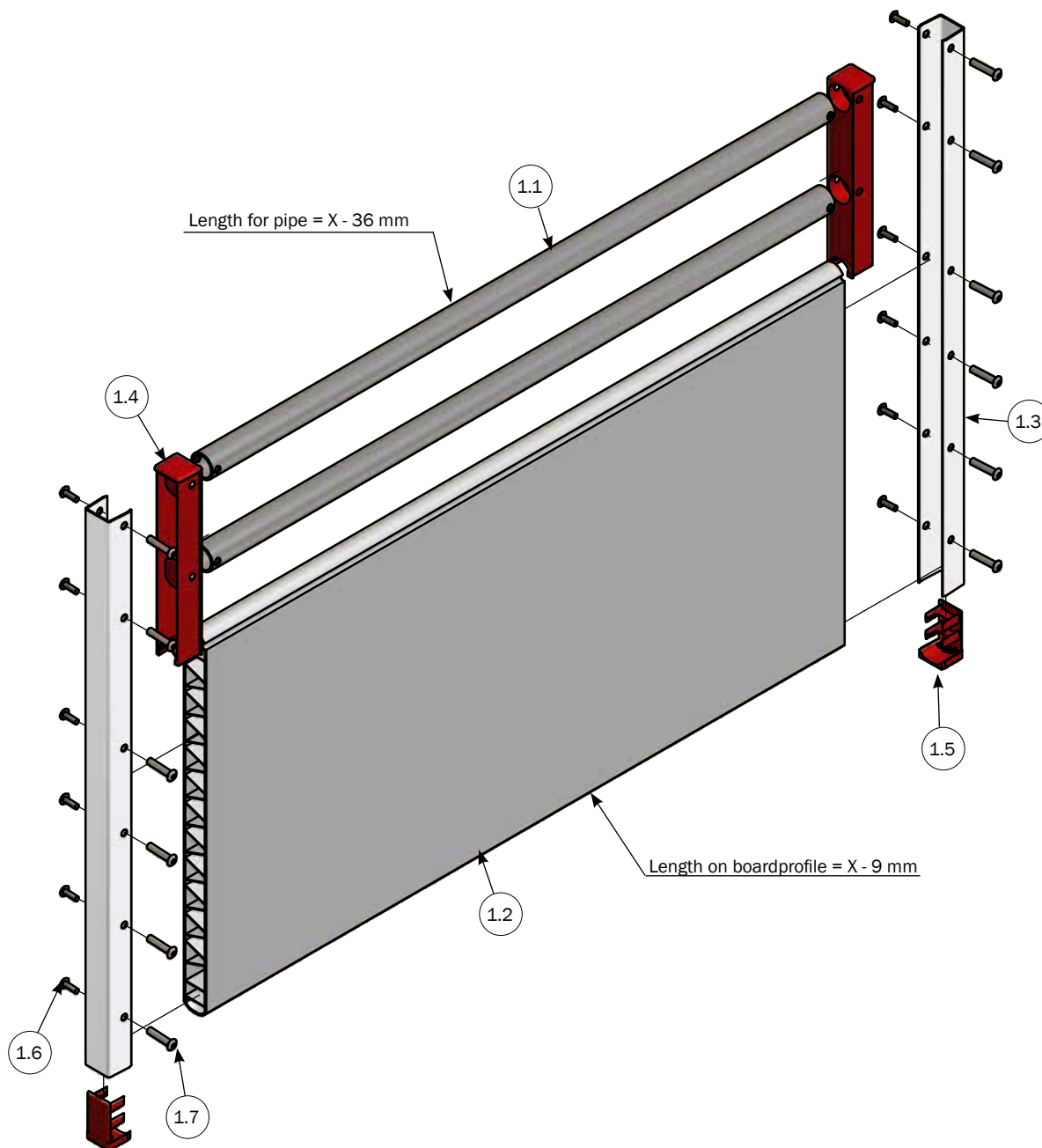
UNASSEMBLED PARTITION FOR CLEAN-O-FLEX 750 BOARDPROFILE



PARTS LIST			
NO.	PCS.	ITEM NO.	DESCRIPTION
1	1	33700U	KIT FOR SIDE H75 BOARDPROFILE, UPROFILE/UPROFILE
1.1	2	H4583R	UPROFILE H753 1,5 MM
1.2	LBM	30105	BOARDPROFILE 35X750 MM SPEC. LENGTH PRICE PER METER
1.3	2	30001	PLUG PANEL TOP
1.4	2	30013	PLUG PANEL BOTTOM 50 CM/75 CM PANEL
1.5	12	39106020	CONNECTION SCREW M6X20 STAINLESS TORX 30
1.6	12	39206037	SPLICING SLEEVE M6X37 STAINLESS TORX 30

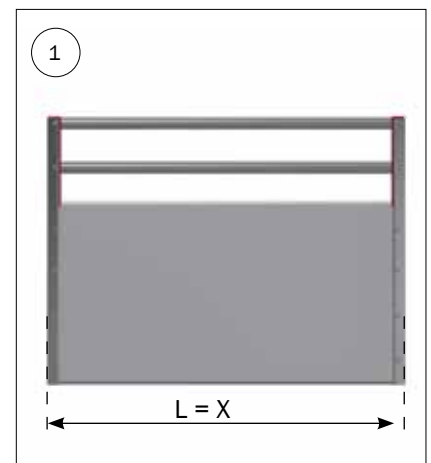


UNASSEMBLED PARTITION FOR CLEAN-O-FLEX 750 2 BARS/BOARDPROFILE

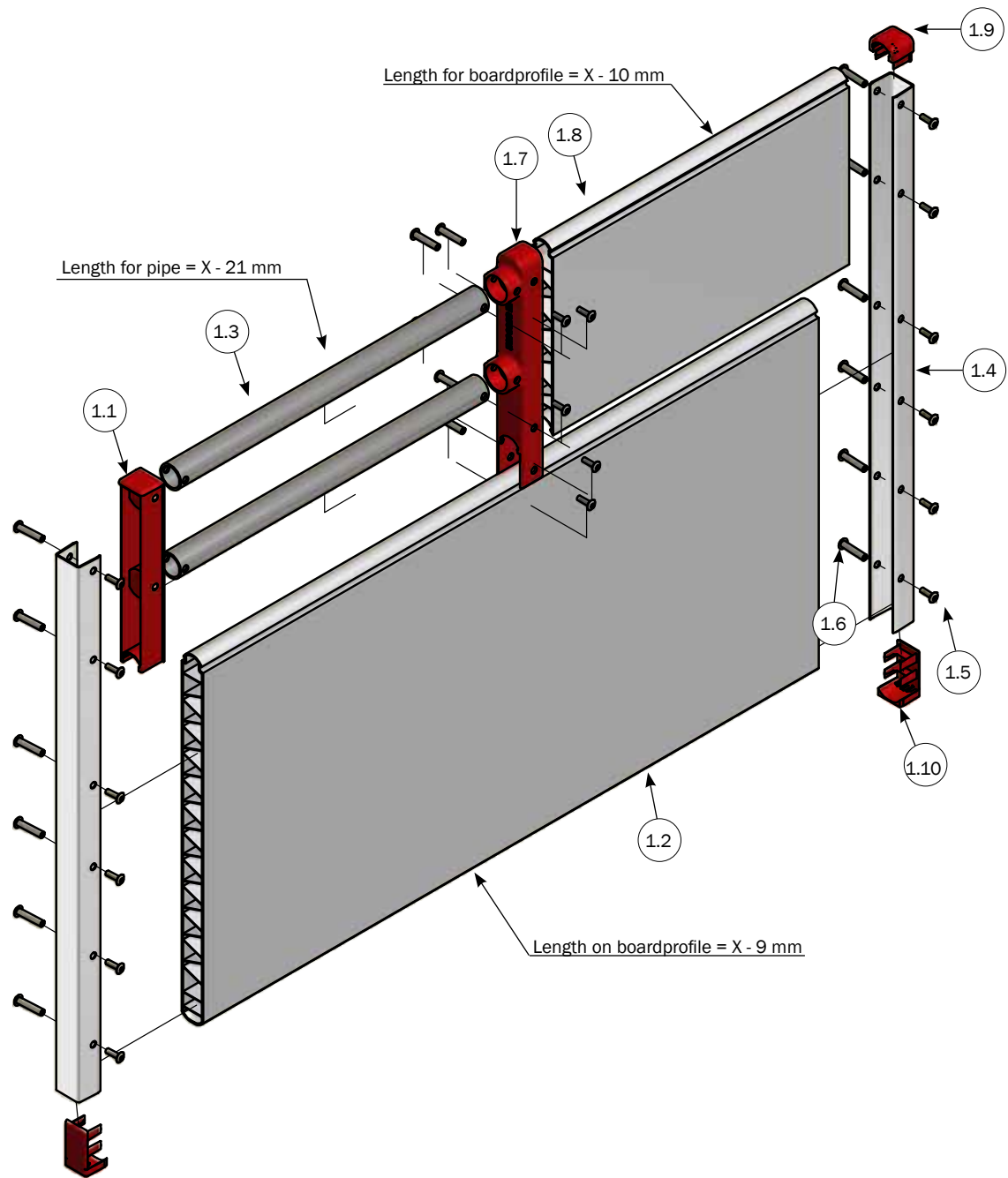


PARTS LIST

NO.	PCS.	ITEM NO.	DESCRIPTION
1	1	33960U	KIT FOR SIDE H75 BOARDPROFILE/2 BARS UPROFILE/UPROFILE
1.1	LBM	112406	33.7 X 2.60 PIPE GALV. PRICE PER METER, LENGTH 6 METER
1.2	LBM	30105	BOARDPROFILE 35X750 MM SPEC. LENGTH PRICE PER METER
1.3	2	H4583R	UPROFILE H753 1,5 MM
1.4	2	30006	PLUG PANEL TOP 2 TOP PIPES
1.5	2	30013	PLUG PANEL BOTTOM 50 CM/75 CM PANEL
1.6	12	39106020	CONNECTION SCREW M6X20 STAINLESS TORX 30
1.7	12	39206037	SPLICING SLEEVE M6X37 STAINLESS TORX 30

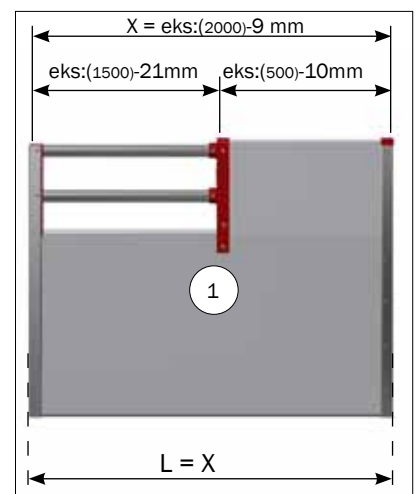


UNASSEMBLED FOR CLEAN-O-FLEX 750 COMBI 2 BARS/BOARDPROFILE

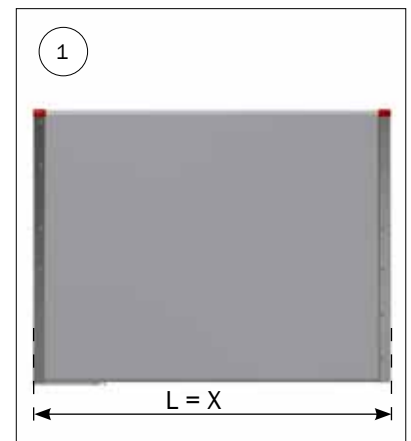
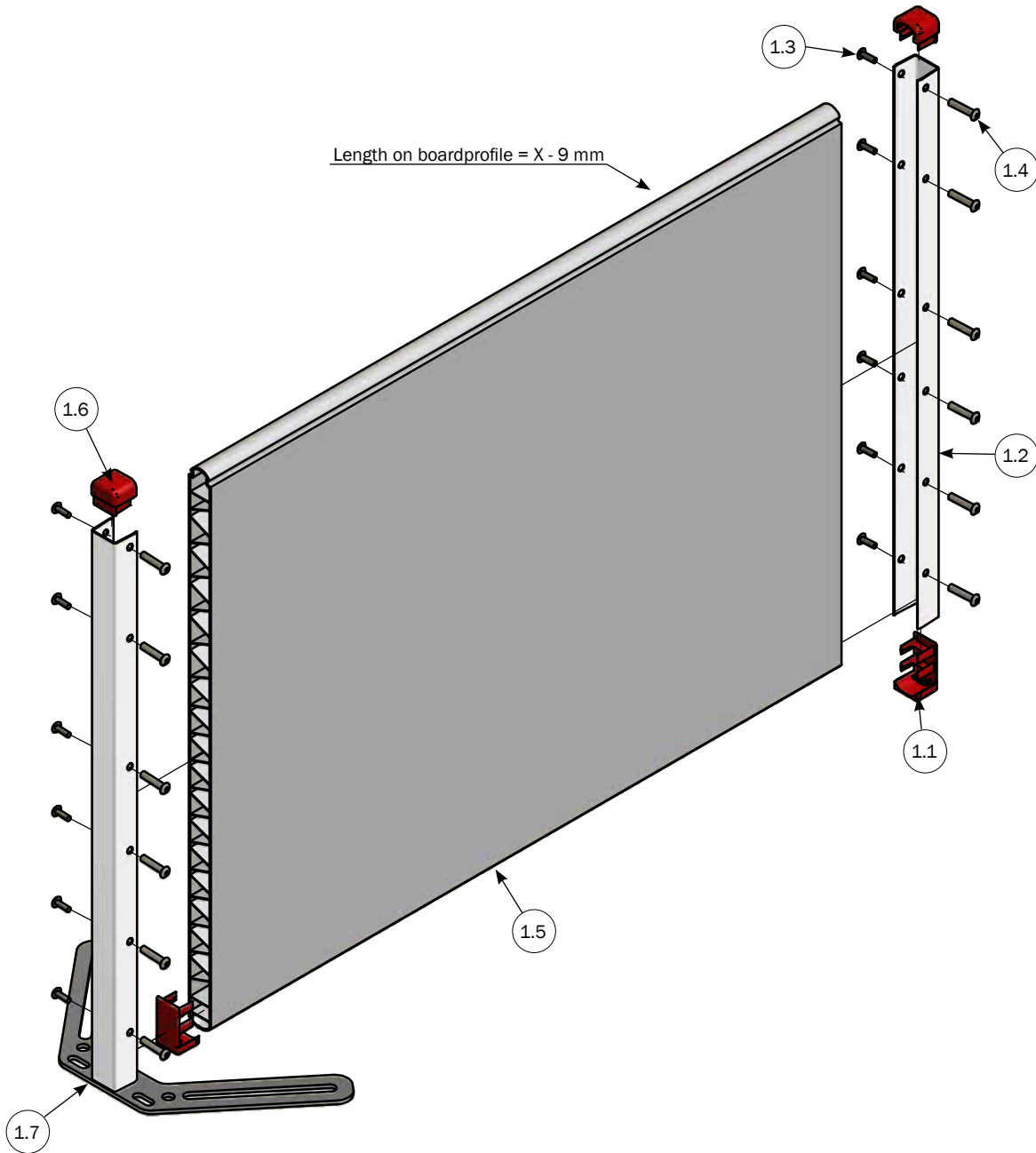


PARTS LIST

No.	PCS.	ITEM NO.	DESCRIPTION
1	1	33641U	KIT FOR SIDE H75 COMBI BOARDPROFILE/BARS UPROFILE/UPROFILE
1.1	1	30006	PLUG PANEL TOP 2 TOP PIPES
1.2	LBM	30102	BOARDPROFILE 35X500 MM SPEC. LENGTH PRICE PER METER
1.3	LBM	112406	33.7 X 2.60 PIPE GALV. PRICE PER METER, LENGTH 6 METER
1.4	1	H4583R	UPROFILE H753 1,5 MM
1.5	17	39106020	CONNECTION SCREW M6X20 STAINLESS TORX 30
1.6	17	39206037	SPLICING SLEEVE M6X37 STAINLESS TORX 30
1.7	1	8500402	PLUG PANEL 2 TOPPIPES COMBI
1.8	LBM	30099	BOARDPROFILE 35X250 MM SPEC. LENGTH PRICE PER METER
1.9	1	30001	PLUG PANEL TOP
1.10	2	30013	PLUG PANEL BOTTOM 50 CM/75 CM PANEL

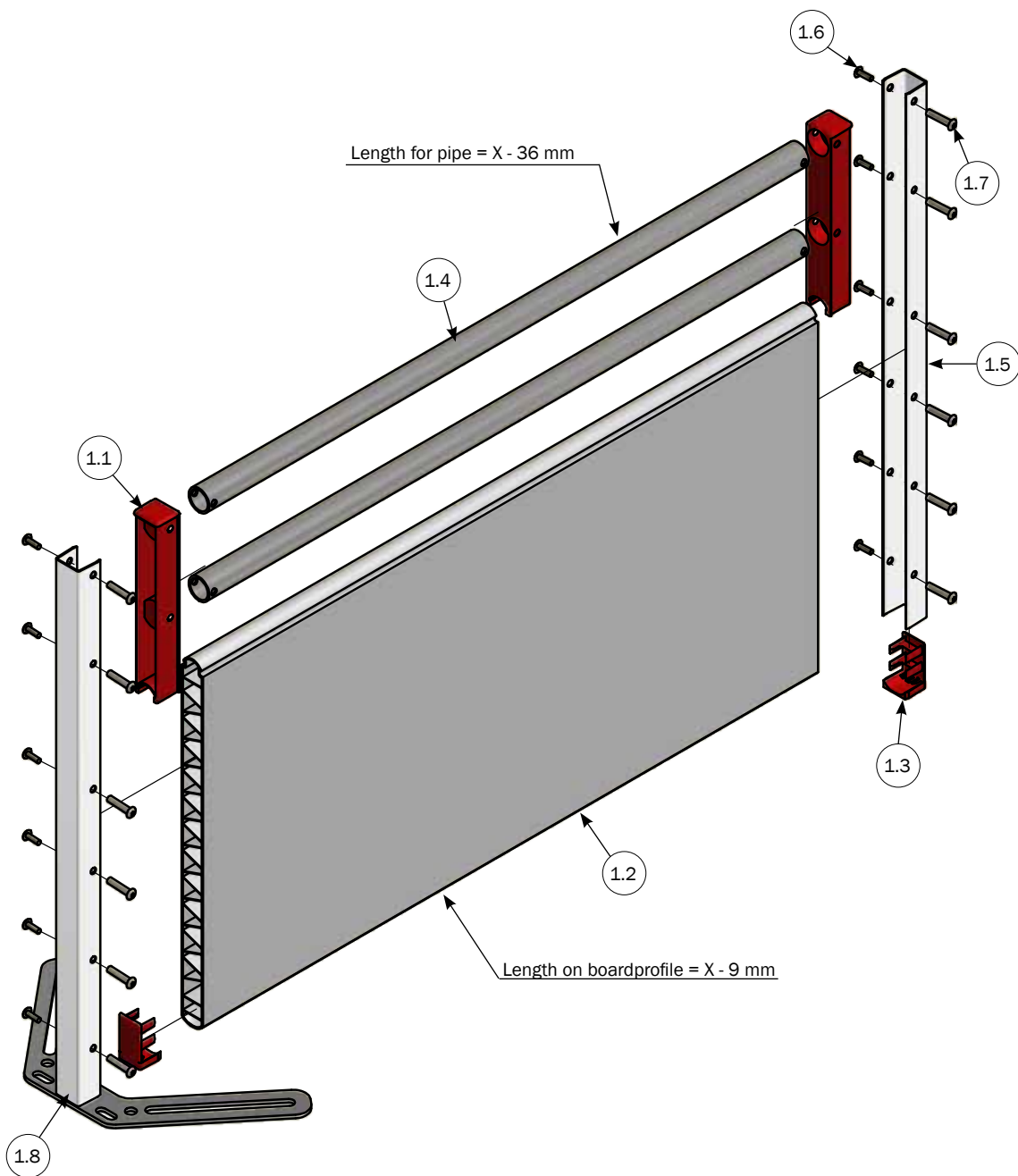


UNASSEMBLED PARTITION FOR CLEAN-O-FLEX 750 BOARDPROFILE



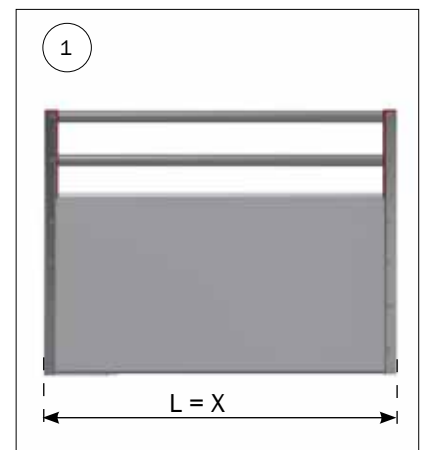
PARTS LIST			
NO.	PCS.	ITEM NO.	DESCRIPTION
1	1	3210009U	KIT FOR SIDE H75 BOARDPROFILE POST/UPROFILE
1.1	2	30013	PLUG PANEL BOTTOM 50 CM/75 CM PANEL
1.2	1	H4583R	UPROFILE H753 1,5 MM
1.3	12	39106020	CONNECTION SCREW M6X20 STAINLESS TORX 30
1.4	12	39206037	SPLICING SLEEVE M6X37 STAINLESS TORX 30
1.5	LBM	30105	BOARDPROFILE 35X750 MM SPEC. LENGTH PRICE PER METER
1.6	2	30001	PLUG PANEL TOP
1.7	1	3250101	POST FOR CLEAN-O-FLEX H750 H

UNASSEMBLED PARTITION FOR CLEAN-O-FLEX 750 2 BARS/BOARDPROFILE

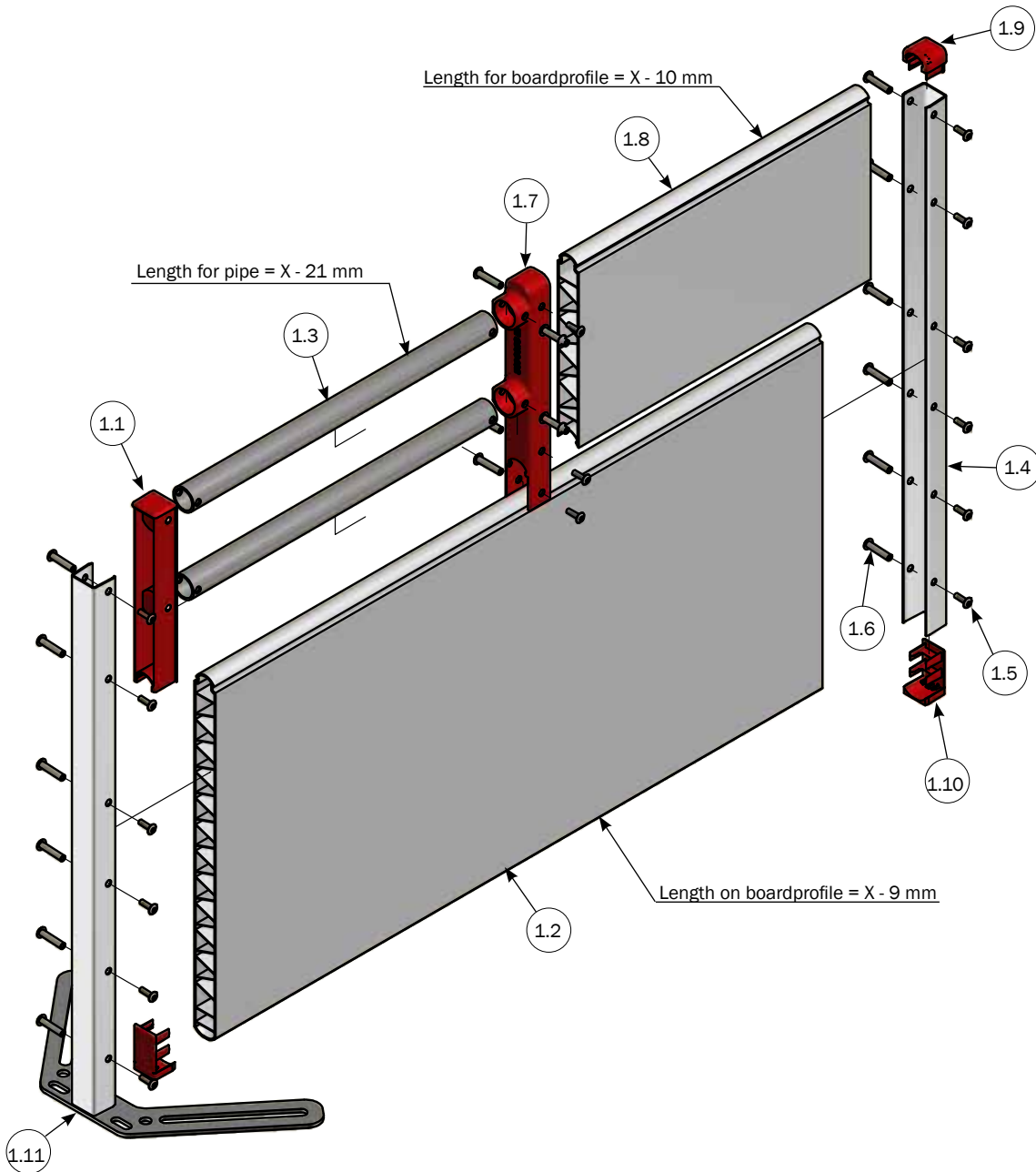


PARTS LIST

NO.	PCS.	ITEM NO.	DESCRIPTION
1	1	3210007U	KIT FOR SIDE H75 BOARDPROFILE/2 BARS POST/UPROFILE
1.1	2	30006	PLUG PANEL TOP 2 TOP PIPES
1.2	LBM	30102	BOARDPROFILE 35X500 MM SPEC. LENGTH PRICE PER METER
1.3	2	30013	PLUG PANEL BOTTOM 50 CM/75 CM PANEL
1.4	LBM	112406	33.7 X 2.60 PIPE GALV. PRICE PER METER, LENGTH 6 METER
1.5	1	H4583R	UPROFILE H753 1,5 MM
1.6	12	39106020	CONNECTION SCREW M6X20 STAINLESS TORX 30
1.7	12	39206037	SPLICING SLEEVE M6X37 STAINLESS TORX 30
1.8	1	3250101	POST FOR CLEAN-O-FLEX H750 H

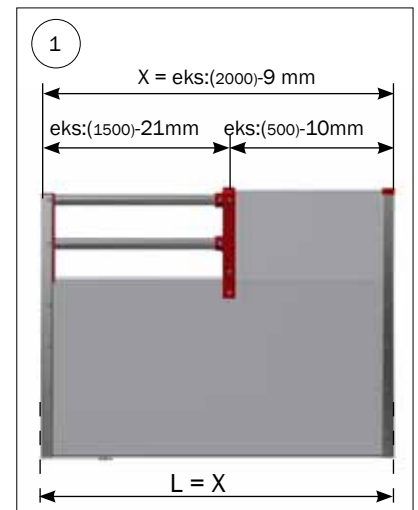


UNASSEMBLED PARTITION FOR CLEAN-O-FLEX 750 COMBI BOARDPROFILE/2 BARS

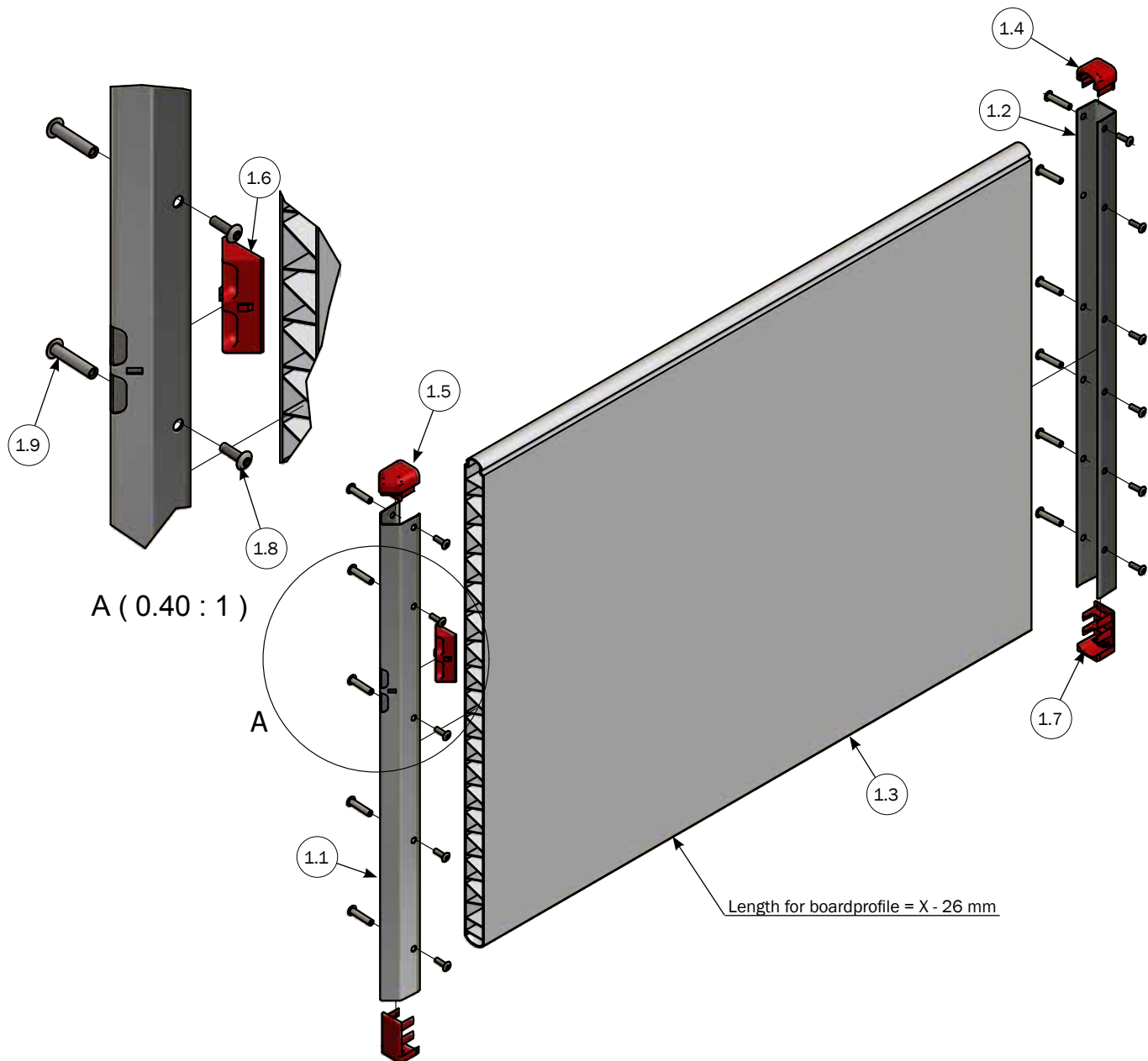


PARTS LIST

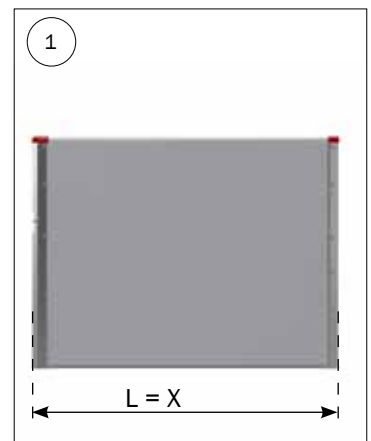
No.	PCS.	ITEM NO.	DESCRIPTION
1	1	3210014U	KIT FOR SIDE H75 COMBI BOARDPROFILE/BARS UPROFILE/UPROFILE
1.1	1	30006	33.7 X 2.60 PIPE GALV. PRICE PER METER, LENGTH 6 METER
1.2	LBM	30102	BOARDPROFILE 35X250 MM SPEC. LENGTH PRICE PER METER
1.3	LBM	112406	BOARDPROFILE 35X500 MM SPEC. LENGTH PRICE PER METER
1.4	1	H4583R	UPROFILE H753 1,5 MM
1.5	17	39106020	PLUG PANEL TOP
1.6	17	39206037	PLUG PANEL TOP 2 TOP PIPES
1.7	1	8500402	PLUG PANEL BOTTOM 50 CM/75 CM PANEL
1.8	LBM	30099	CONNECTION SCREW M6X20 STAINLESS TORX 30
1.9	1	30001	SPLICING SLEEVE M6X37 STAINLESS TORX 30
1.10	2	30013	PLUG PANEL 2 TOPPIPES COMBI
1.11	1	3250101	POST FOR CLEAN-O-FLEX H750 H



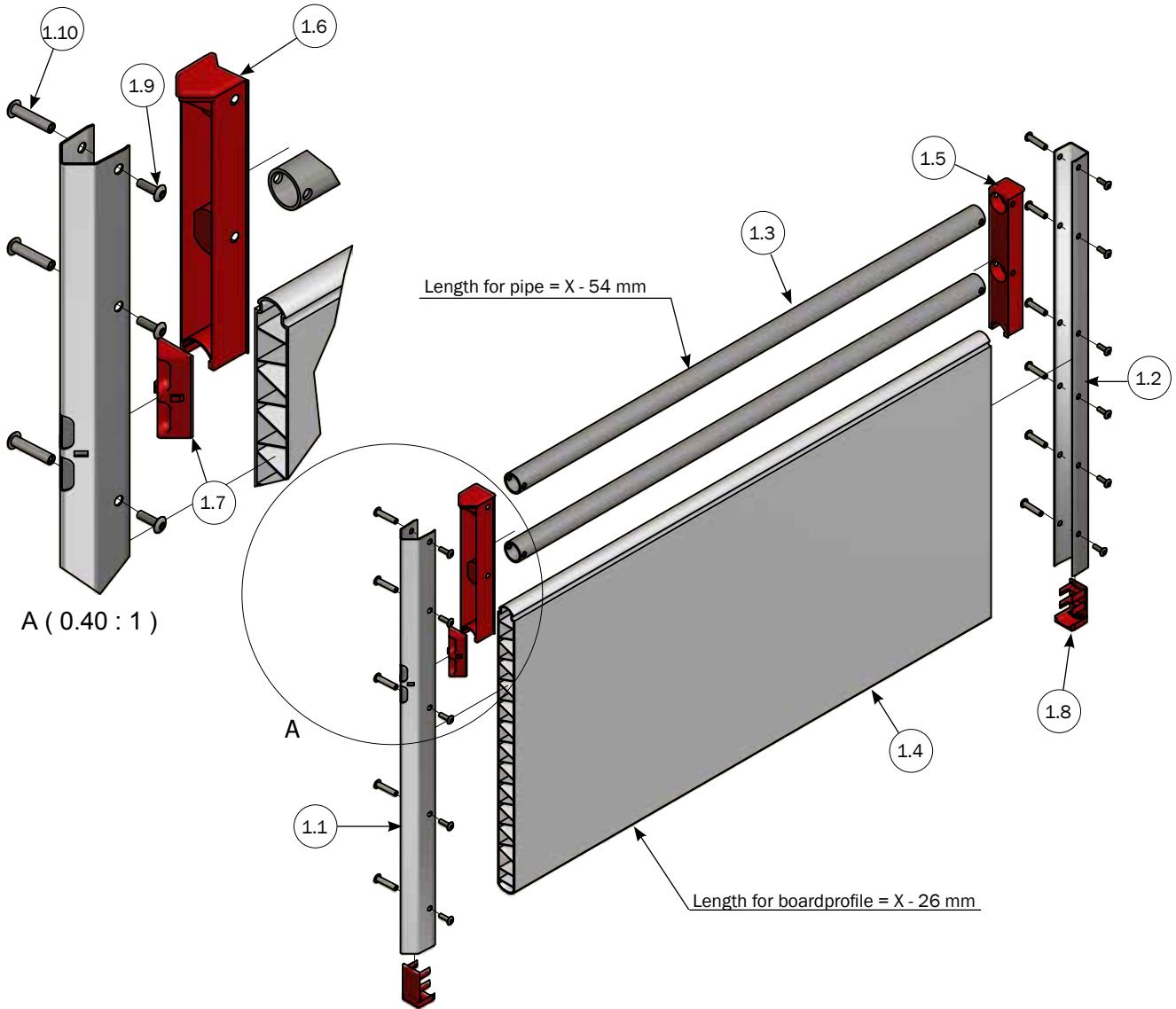
UNASSEMBLED FRONT PART CLEAN-O-FLEX 750 BOARDPROFILE RECEIVER UPROFILE/UPROFILE



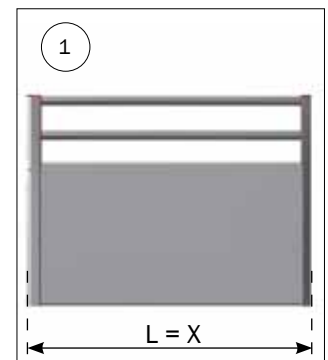
PARTS LIST			
NO.	PCS.	ITEM NO.	DESCRIPTION
1	1	34201U	KIT FOR FRONT PART H75 BOARDPROFILE RECEIVER UPROFILE/UPROFILE
1.1	1	H4582R	UPROFILE H75 RECEIVER FOR REARPART
1.2	1	H4583R	UPROFILE H753 1,5 MM
1.3	LBM	30105	BOARDPROFILE 35X750 MM SPEC. LENGTH PRICE PER METER
1.4	1	30001	PLUG PANEL TOP
1.5	1	30002	PLUG PANEL TOP POINTED
1.6	1	30005	PLUG PANEL POINTED W.HOLES/LOCK
1.7	2	30013	PLUG PANEL BOTTOM 50 CM/75 CM PANEL
1.8	11	39106020	CONNECTION SCREW M6X20 STAINLESS TORX 30
1.9	11	39206037	SPLICING SLEEVE M6X37 STAINLESS TORX 30



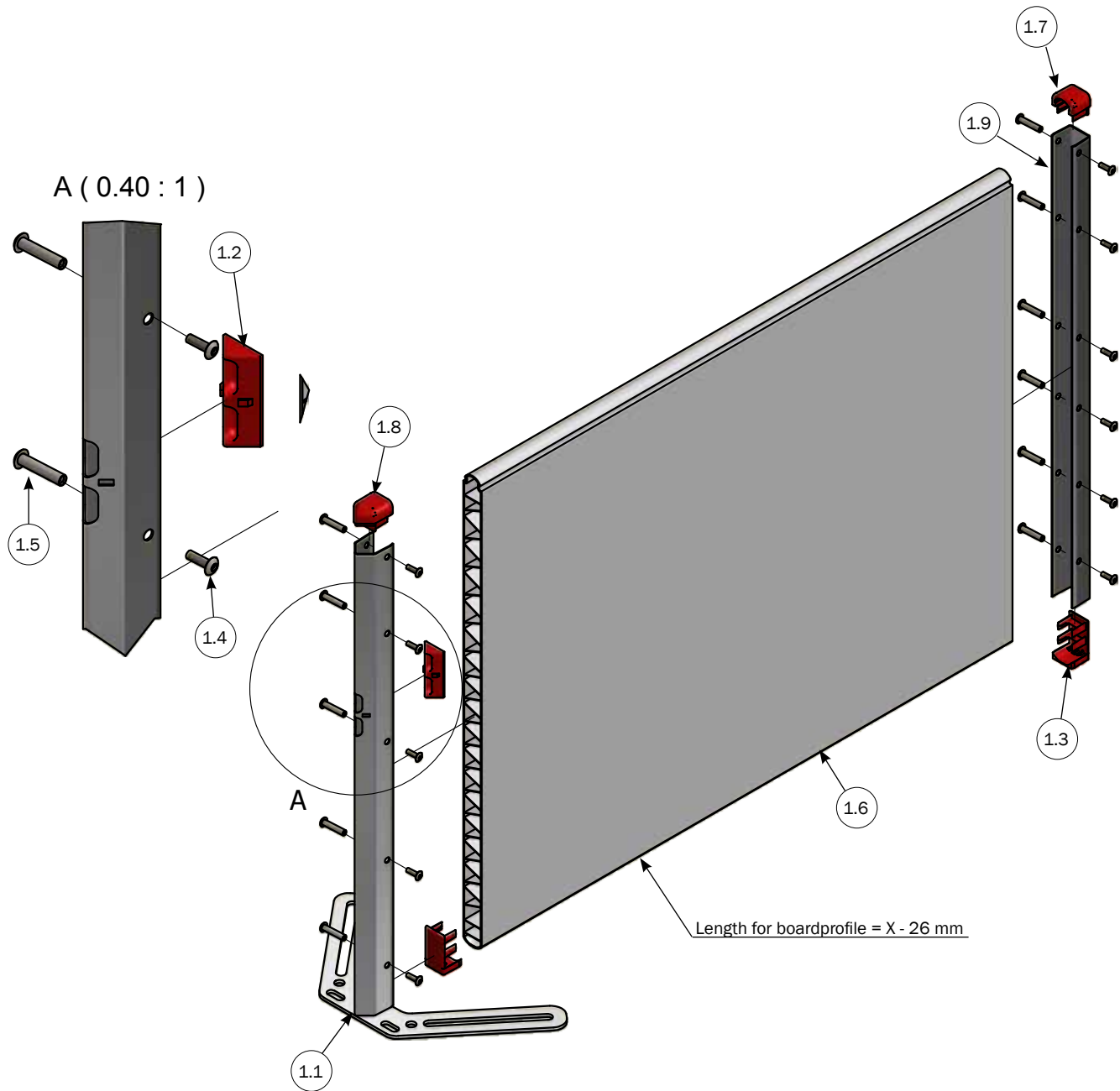
UNASSEMBLED FRONT PART RECEIVER FOR CLEAN-O-FLEX 750 BOARDPROFILE/2 BARS



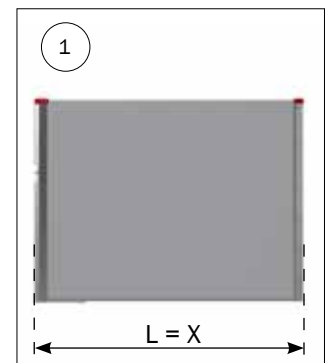
PARTS LIST			
NO.	PCS.	ITEM NO.	DESCRIPTION
1	1	34211U	KIT FOR FRONT PART H75 BOARDPROFILE/BARS UPROFILE/RECEIVER UPROFILE
1.1	1	H4582R	UPROFILE H75 RECEIVER FOR REARPART
1.2	1	H4583R	UPROFILE H753 1,5 MM
1.3	LBM	112406	33.7 X 2.6 PIPE GALV. PRICE PER METER, LENGTH 6 METER
1.4	LBM	30102	PLASTPLANKE 35X500 MM LBM PRIS PR. METER
1.5	1	30006	PLUG PANEL TOP 2 TOP PIPES
1.6	1	30007	PLUG PANEL TOP POINTED 2 TOP PIPES
1.7	1	30005	PLUG PANEL POINTED W.HOLES/LOCK
1.8	2	30013	PLUG PANEL BOTTOM 50 CM/75 CM PANEL
1.9	11	39106020	CONNECTION SCREW M6X20 STAINLESS TORX 30
1.10	11	39206037	SPLICING SLEEVE M6X37 STAINLESS TORX 30



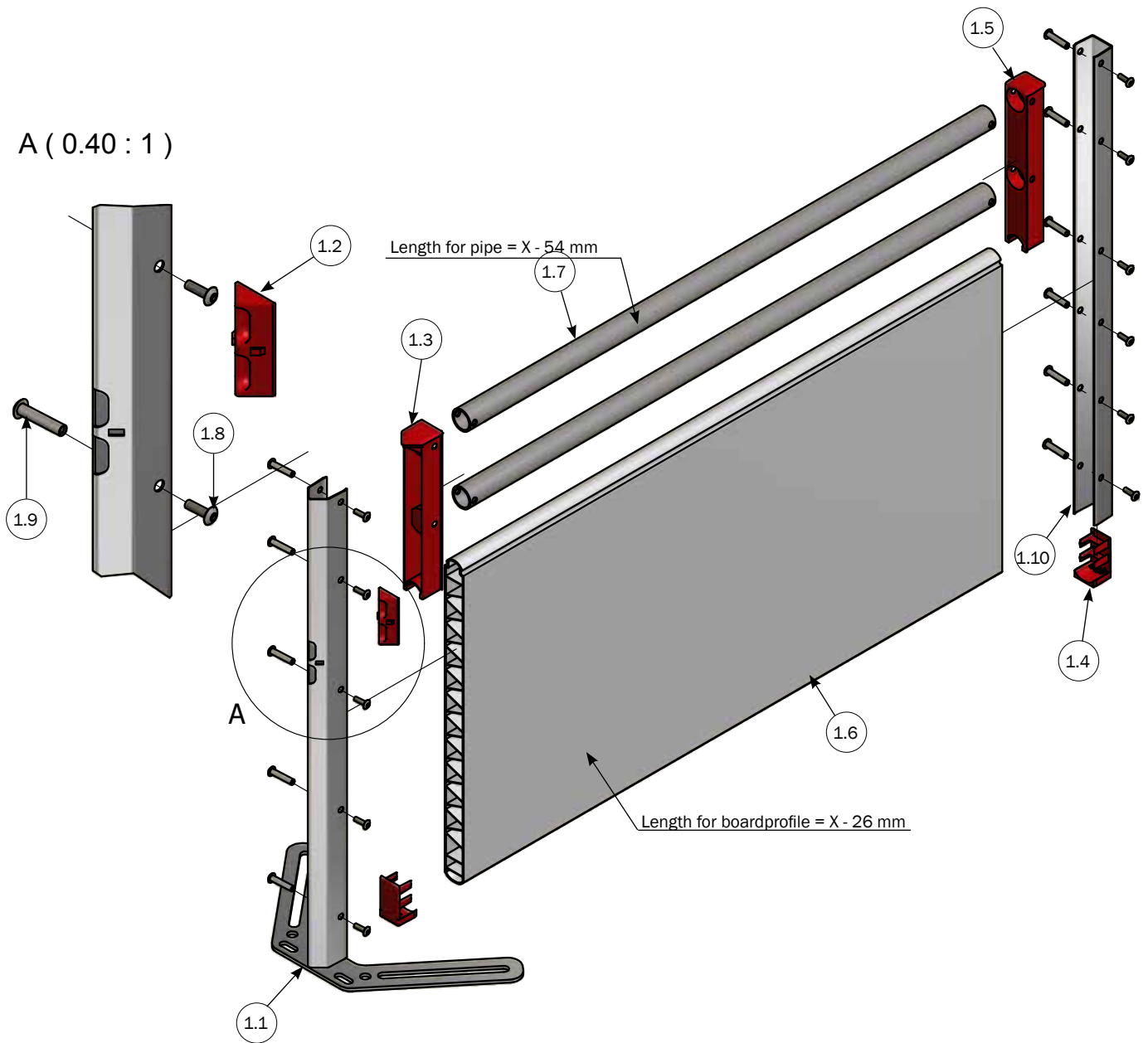
UNASSEMBLED FRONT PART RECEIVER POST/ UPROFILE FOR CLEAN-O-FLEX 750 BOARDPROFILE



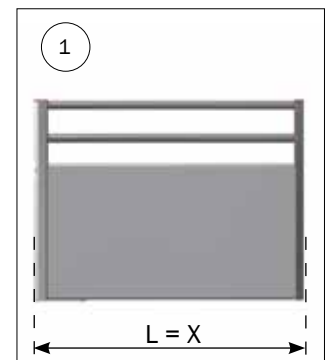
PARTS LIST			
NO.	PCS.	ITEM NO.	DESCRIPTION
1	1	3210021U	KIT FOR FRONT PART H75BOARDPROFILE RECEIVER POST/UPROFILE
1.1	1	3250501	POST FOR RECEIVER H750
1.2	1	30005	PLUG PANEL POINTED W.HOLES/LOCK
1.3	2	30013	PLUG PANEL BOTTOM 50 CM/75 CM PANEL
1.4	11	39106020	CONNECTION SCREW M6X20 STAINLESS TORX 30
1.5	11	39206037	SPLICING SLEEVE M6X37 STAINLESS TORX 30
1.6	LBM	30105	BOARDPROFILE 35X750 MM SPEC. LENGTH PRICE PER METER
1.7	1	30001	PLUG PANEL TOP
1.8	1	30002	PLUG PANEL TOP POINTED
1.9	1	H4583R	CONNECTION SCREW M6X20 STAINLESS TORX 30



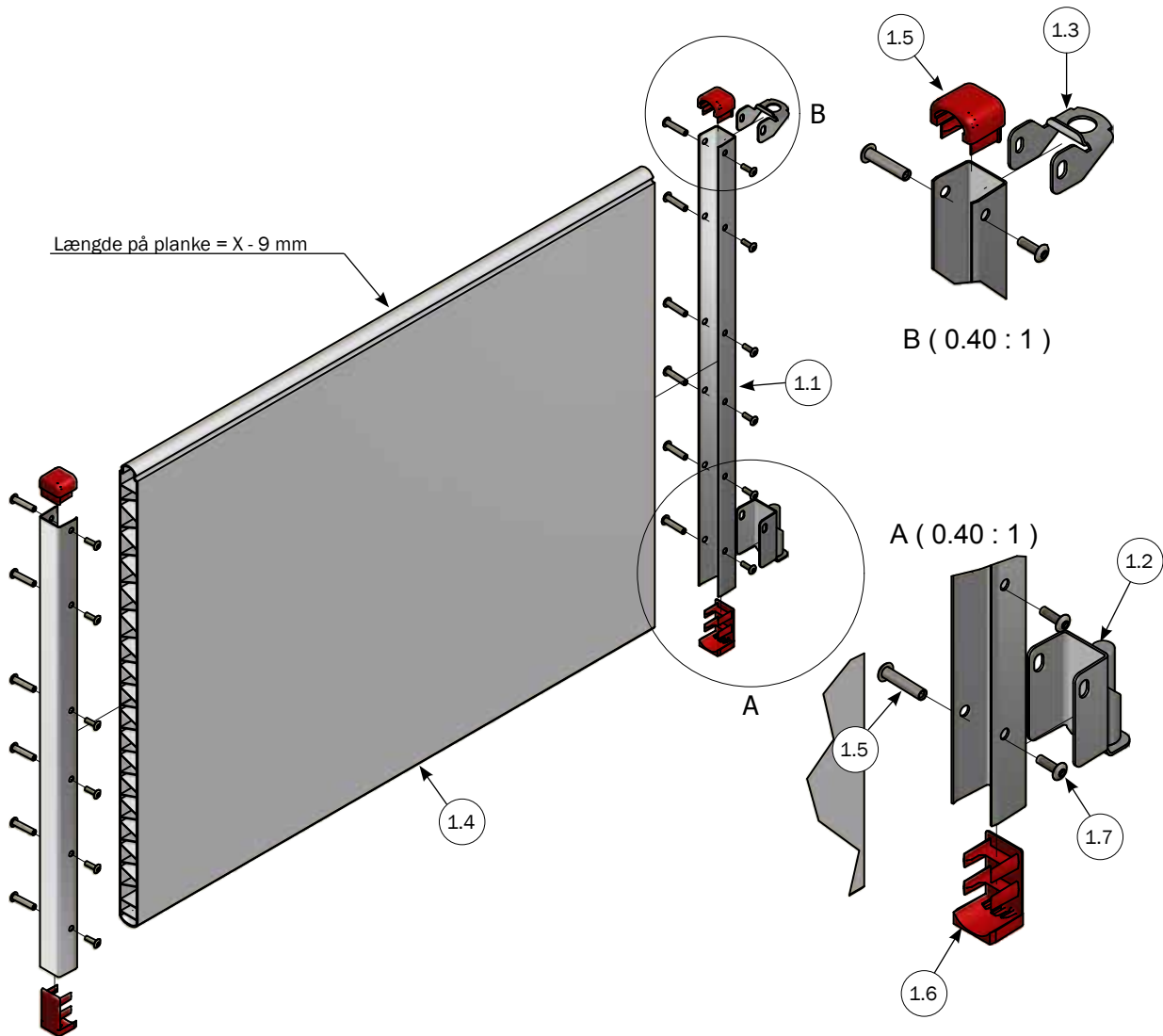
UNASSEMBLED FRONT PART RECEIVER POST/UPROFILE FOR CLEAN-O-FLEX 750 BOARDPROFILE/2 BARS



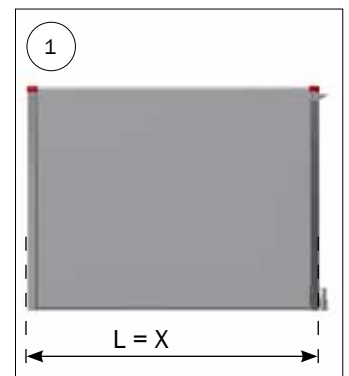
PARTS LIST			
NO.	PCS.	ITEM NO.	DESCRIPTION
1	1	3210023U	KIT FOR FRONT PART H75 BOARDPROFILE/BARS RECEIVER POST/UPROFILE
1.1	1	3250501	POST FOR RECEIVER H750
1.2	1	30005	PLUG PANEL POINTED W.HOLES/LOCK
1.3	1	30007	PLUG PANEL TOP POINTED 2 TOP PIPES
1.4	2	30013	PLUG PANEL BOTTOM 50 CM/75 CM PANEL
1.5	1	30006	PLUG PANEL TOP 2 TOP PIPES
1.6	LBM	30102	BOARDPROFILE 35X500 MM SPEC. LENGTH PRICE PER METER
1.7	LBM	112406	33.7 X 2.6 PIPE GALV. PRICE PER METER, LENGTH 6 METER
1.8	11	39106020	CONNECTION SCREW M6X20 STAINLESS TORX 30
1.9	11	39206037	SPLICING SLEEVE M6X37 STAINLESS TORX 30
1.10	1	H4583R	UPROFILE H753 1,5 MM



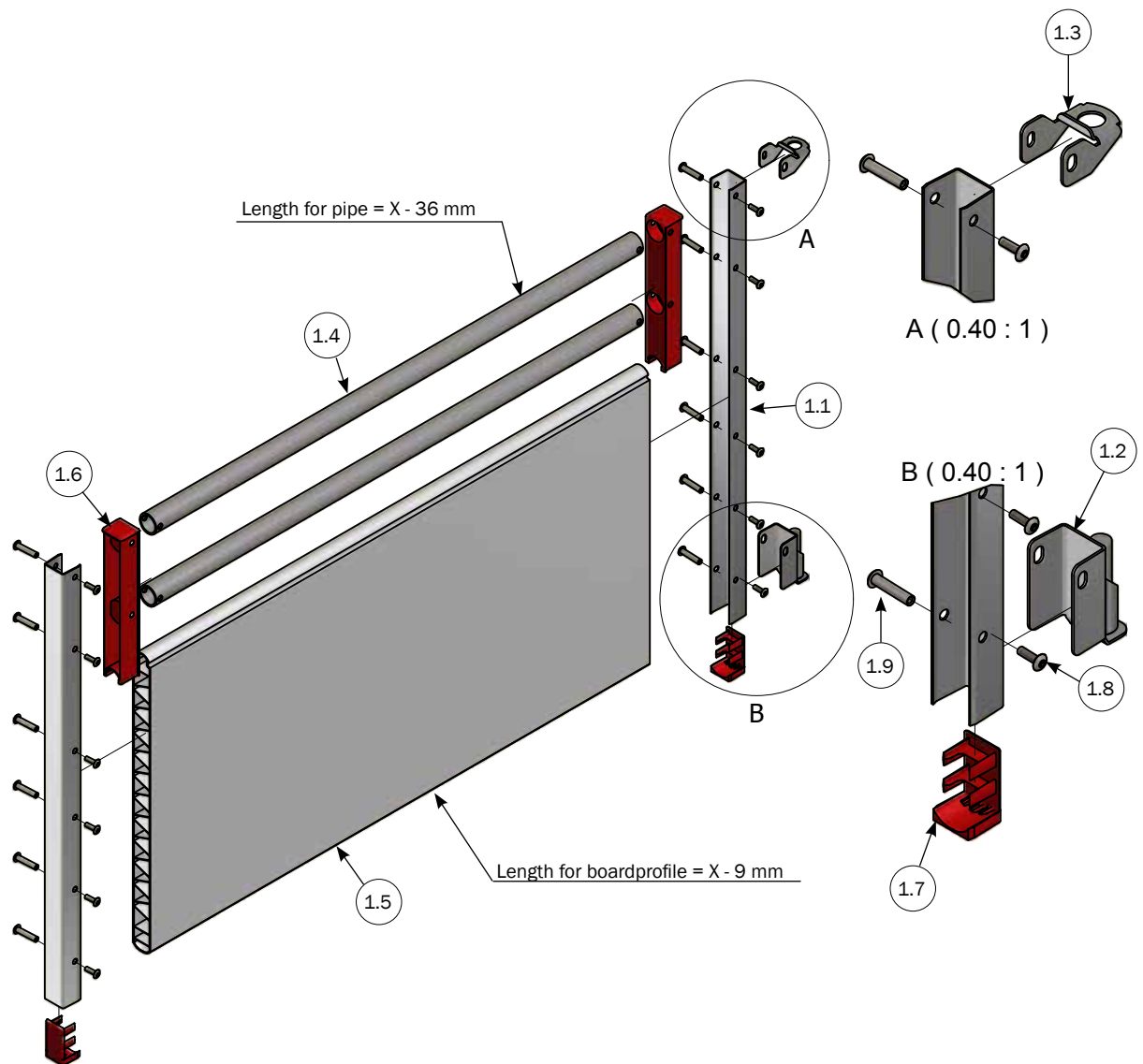
UNASSEMBLED FRONT PART WITH HINGE FOR CLEAN-O-FLEX 750 BOARDPROFILE



PARTS LIST			
NO.	PCS.	ITEM NO.	DESCRIPTION
1	1	34101U	KIT FOR FRONT PART H75 BOARDPROFILE HINGE UPROFILE/UPROFILE
1.1	2	H4583R	UPROFILE H753 1,5 MM
1.2	1	17364	BOTTOM GATE BRACKET COF FOR U-POST
1.3	1	4950516	UPPER HINGE CLEAN-O-FLEX
1.4	LBM	30105	BOARDPROFILE 35X750 MM SPEC. LENGTH PRICE PER METER
1.5	2	30001	PLUG PANEL TOP
1.6	2	30013	PLUG PANEL BOTTOM 50 CM/75 CM PANEL
1.7	12	39106020	CONNECTION SCREW M6X20 STAINLESS TORX 30
1.8	12	39206037	SPLICING SLEEVE M6X37 STAINLESS TORX 30

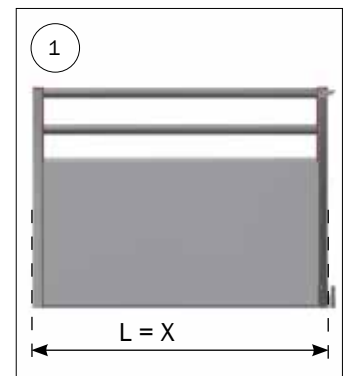


UNASSEMBLED FRONT PART WITH HINGE FOR CLEAN-O-FLEX 750 BOARDPROFILE/2 BARS

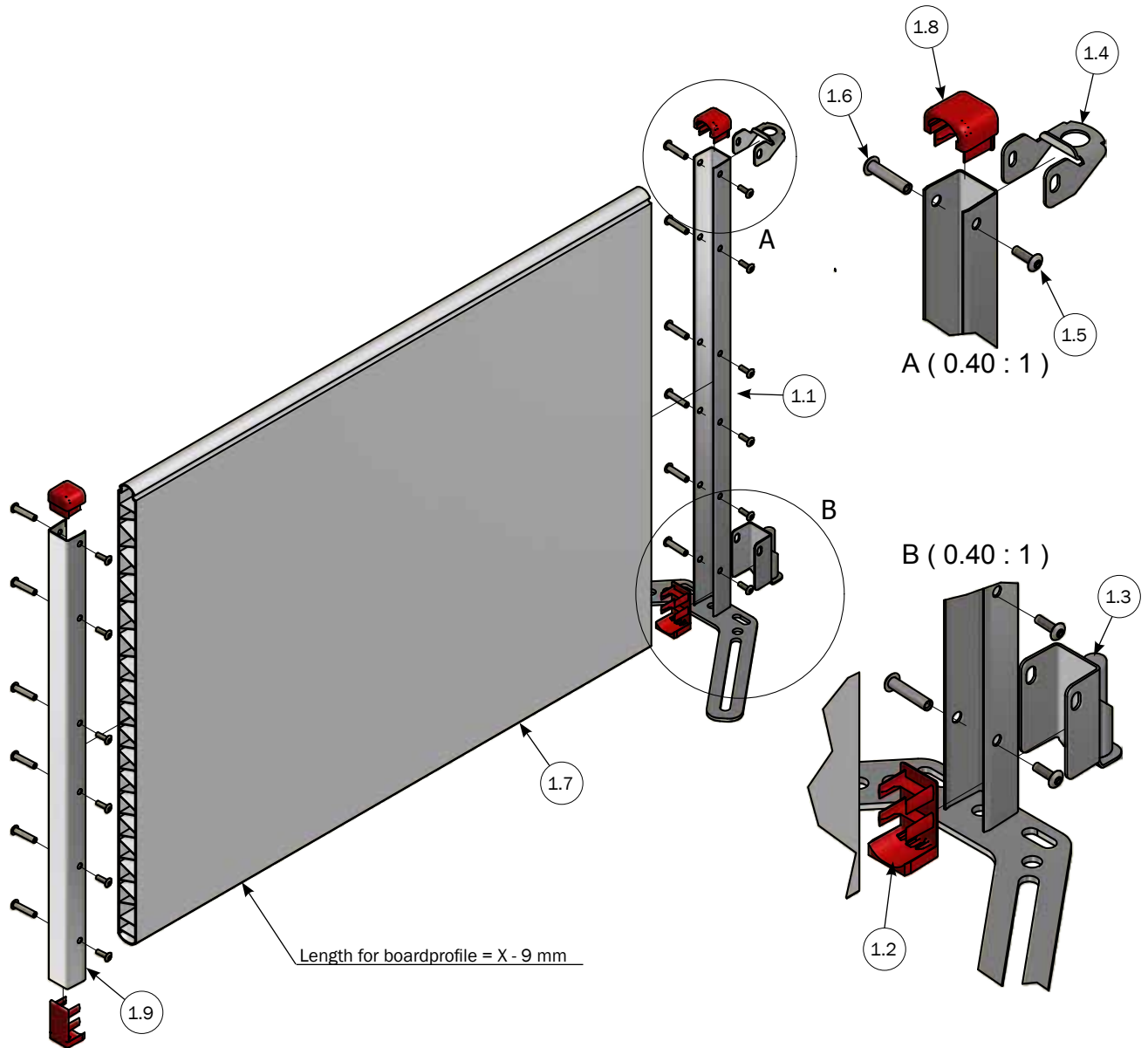


PARTS LIST

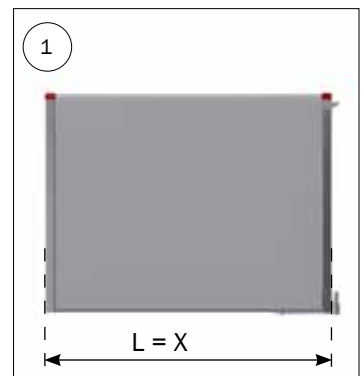
NO.	PCS.	ITEM NO.	DESCRIPTION
1	1	34111U	KIT FORFRONT PART H100 BOARDPROFILE/2 BARS HINGE UPROFILE/UPROFILE
1.1	2	H4583R	UPROFILE H753 1,5 MM
1.2	1	17364	BOTTOM GATE BRACKET COF FOR U-POST
1.3	1	4950516	UPPER HINGE CLEAN-O-FLEX
1.4	LBM	112406	33.7 X 2.60 PIPE GALV. PRICE PER METER, LENGTH 6 METER
1.5	LBM	30102	BOARDPROFILE 35X500 MM SPEC. LENGTH PRICE PER METER
1.6	2	30006	PLUG PANEL TOP 2 TOP PIPES
1.7	2	30013	PLUG PANEL BOTTOM 50 CM/75 CM PANEL
1.8	12	39106020	CONNECTION SCREW M6X20 STAINLESS TORX 30
1.9	12	39206037	SPLICING SLEEVE M6X37 STAINLESS TORX 30



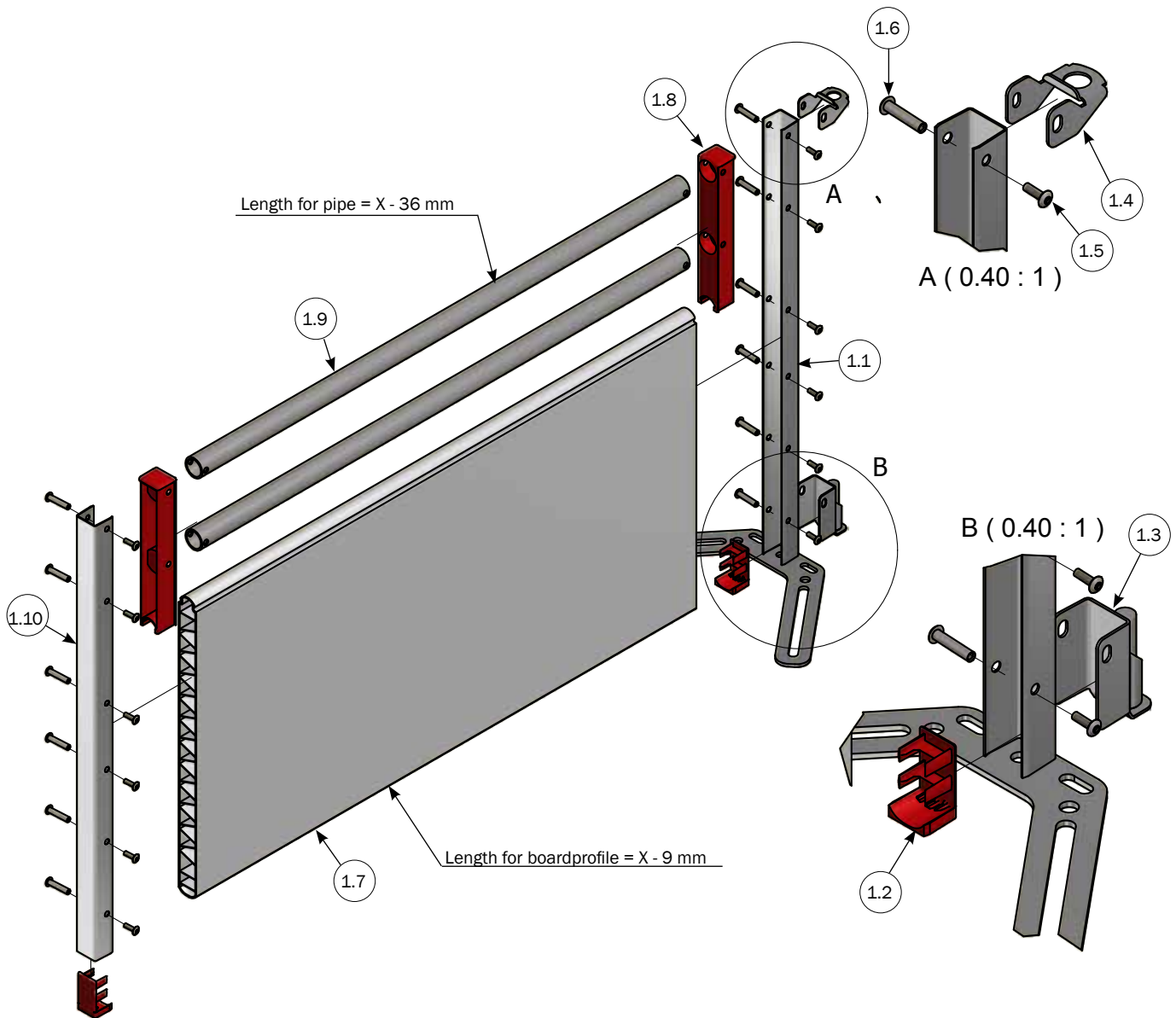
UNASSEMBLED FRONT PART WITH HINGE POST/UPROFILE FOR CLEAN-O-FLEX 750 BOARDPROFILE



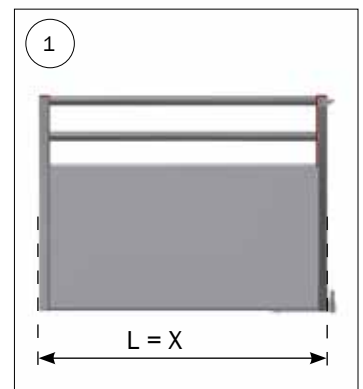
PARTS LIST			
NO.	PCS.	ITEM NO.	DESCRIPTION
1	1	3210017U	KIT FOR FRONT PART H75 BOARDPROFILE HINGE POST/UPROFILE
1.1	1	3250101	POST FOR CLEAN-O-FLEX H750 H
1.2	2	30013	PLUG PANEL BOTTOM 50 CM/75 CM PANEL
1.3	1	17364	BOTTOM GATE BRACKET COF FOR U-POST
1.4	1	4950516	UPPER HINGE CLEAN-O-FLEX
1.5	12	39106020	CONNECTION SCREW M6X20 STAINLESS TORX 30
1.6	12	39206037	SPLICING SLEEVE M6X37 STAINLESS TORX 30
1.7	LBM	30105	BOARDPROFILE 35X750 MM SPEC. LENGTH PRICE PER METER
1.8	2	30001	PLUG PANEL TOP
1.9	1	H4583R	UPROFILE H753 1,5 MM



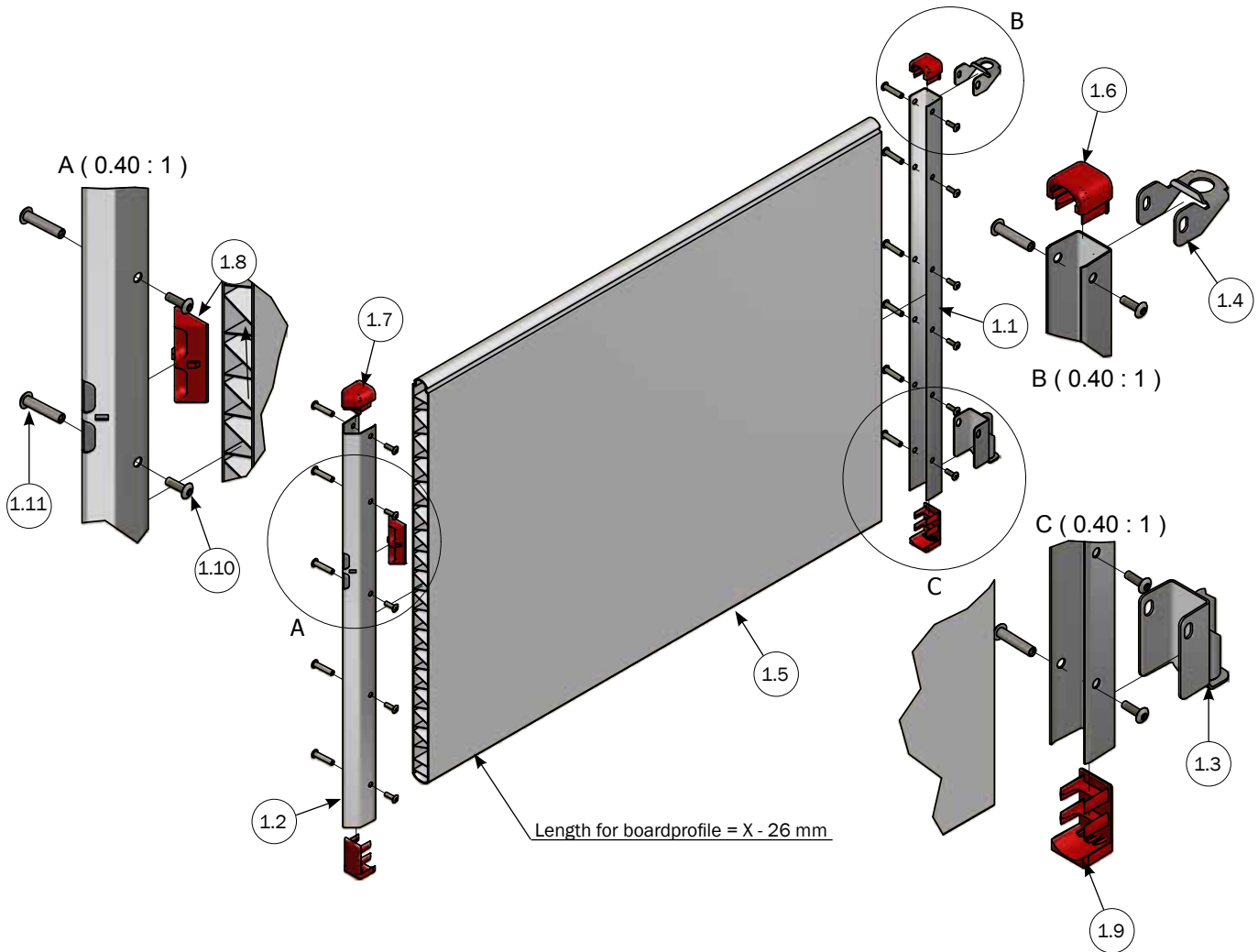
UNASSEMBLED FRONT PART WITH HINGE FOR CLEAN-O-FLEX 750 BOARDPROFILE/2 BARS



PARTS LIST			
NO.	PCS.	ITEM NO.	DESCRIPTION
1	1	3210020U	KIT FOR FRONT PART H75 BOARDPROFILE/BARS HINGE POST/UPROFILE
1.1	1	3250101	POST FOR CLEAN-O-FLEX H750 H
1.2	2	30013	PLUG PANEL BOTTOM 50 CM/75 CM PANEL
1.3	1	17364	BOTTOM GATEBRACKET COF FOR U-POST
1.4	1	4950516	UPPER HINGE CLEAN-O-FLEX
1.5	12	39106020	CONNECTION SCREW M6X20 STAINLESS TORX 30
1.6	12	39206037	SPLICING SLEEVE M6X37 STAINLESS TORX 30
1.7	LBM	30102	BOARDPROFILE 35X500 MM SPEC. LENGTH PRICE PER METER
1.8	2	30006	PLUG PANEL TOP 2 TOP PIPES
1.9	LBM	112406	33.7 X 2.6 PIPE GALV. PRICE PER METER, LENGTH 6 METER
1.10	1	H4583R	UPROFILE H753 1,5 MM

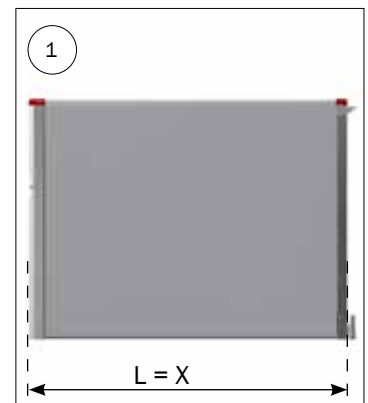


UNASSEMBLED WITH RECEIVER/HINGE U-PROFILE FOR CLEAN-O-FLEX 750 BOARDPROFILE

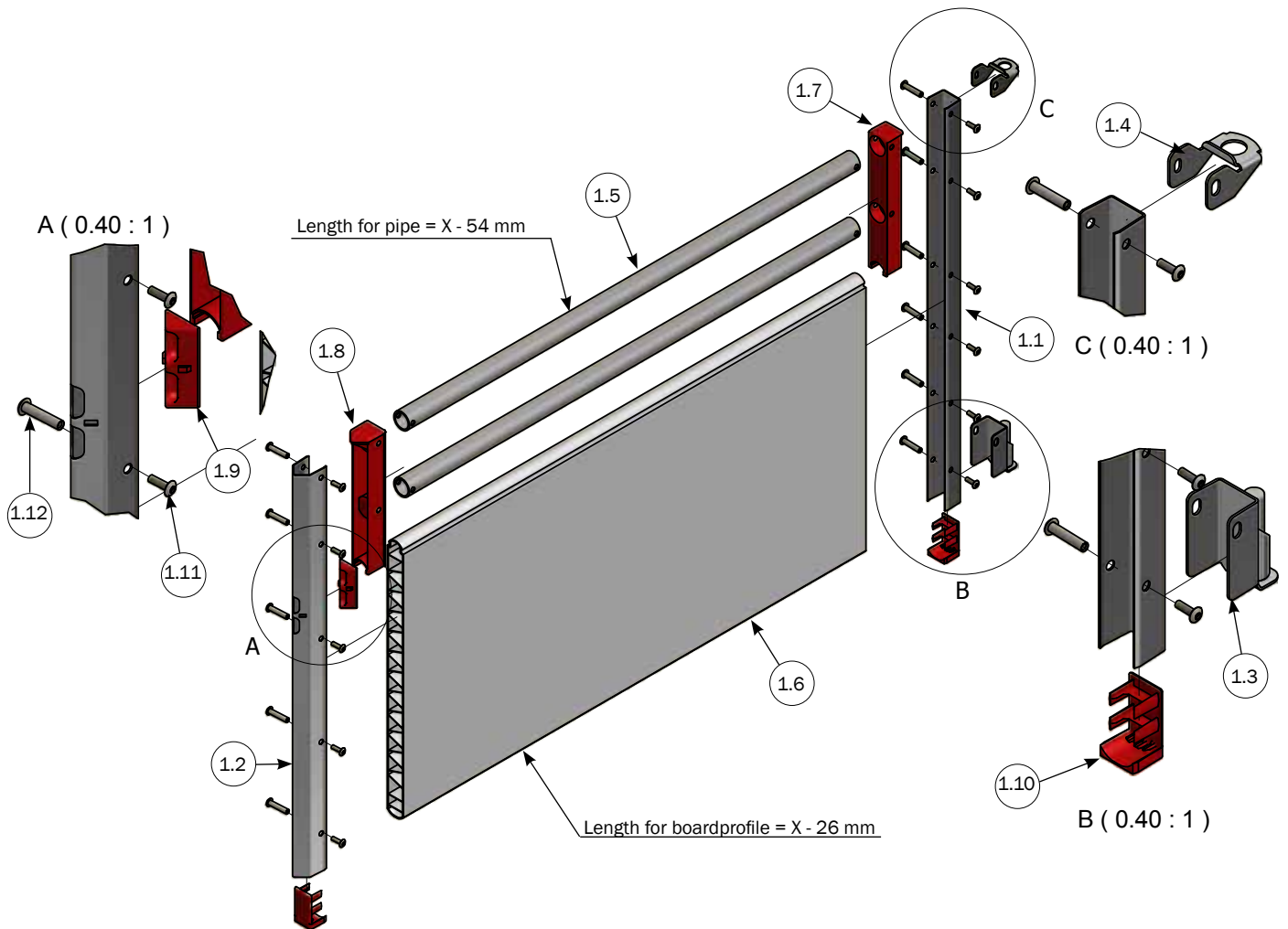


PARTS LIST

NO.	PCS.	ITEM NO.	DESCRIPTION
1	1	34000U	KIT FOR FRONT PART H75 BOARDPROFILE HINGE/RECEIVER UPROFILE
1.1	1	H4582R	UPROFILE H75 RECEIVER FOR REARPART
1.2	1	H4583R	UPROFILE H753 1,5 MM
1.3	1	17364	BOTTOM GATE BRACKET COF FOR U-POST
1.4	1	4950516	UPPER HINGE CLEAN-O-FLEX
1.5	LBM	30105	BOARDPROFILE 35X750 MM SPEC. LENGTH PRICE PER METER
1.6	1	30001	PLUG PANEL TOP
1.7	1	30002	PLUG PANEL TOP POINTED
1.8	1	30005	PLUG PANEL POINTED W.HOLES/LOCK
1.9	2	30013	PLUG PANEL BOTTOM 50 CM/75 CM PANEL
1.10	11	39106020	CONNECTION SCREW M6X20 STAINLESS TORX 30
1.11	11	39206037	SPLICING SLEEVE M6X37 STAINLESS TORX 30

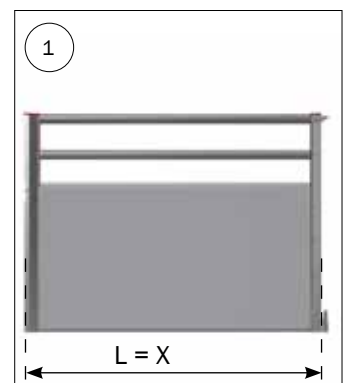


UNASSEMBLED FRONT PART WITH RECEIVER/HINGE FOR CLEAN-O-FLEX 750 BOARDPROFILE/2 BARS

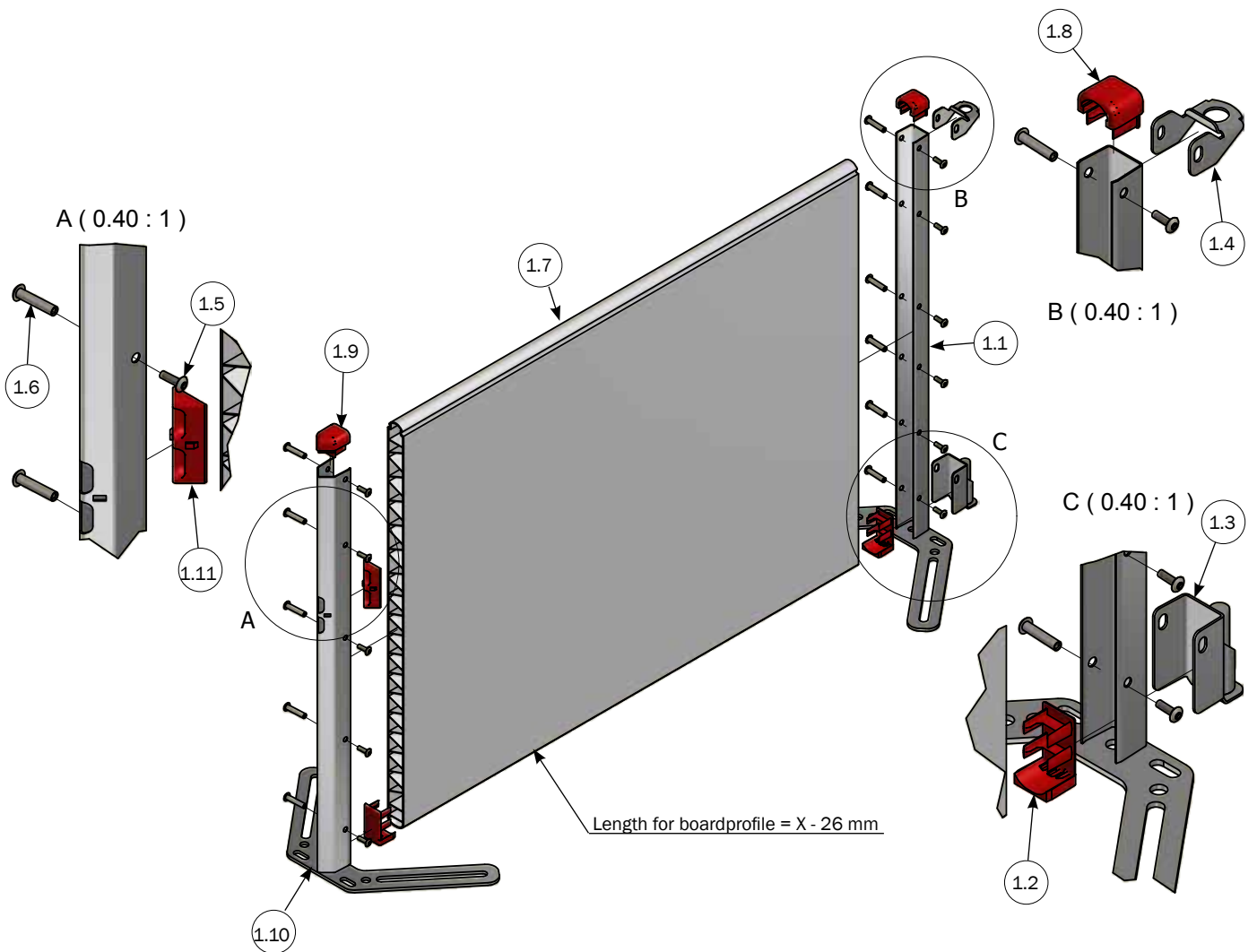


PARTS LIST

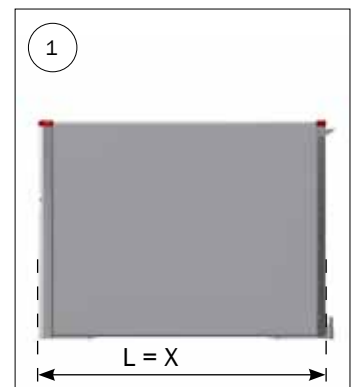
NO.	PCS.	ITEM NO.	DESCRIPTION
1	1	34050U	KIT FOR FRONT PART H75 BOARDPROFILE/2 BARS HINGE/RECEIVER POST
1.1	1	H4582R	UPROFILE H75 RECEIVER FOR REARPART
1.2	1	H4583R	UPROFILE H753 1,5 MM
1.3	1	17364	BOTTOM GATE BRACKET COF FOR U-POST
1.4	1	4950516	UPPER HINGE CLEAN-O-FLEX
1.5	LMB	112406	33.7 X 2.60 PIPE GALV. PRICE PER METER, LENGTH 6 METER
1.6	LBM	30102	BOARDPROFILE 35X500 MM SPEC. LENGTH PRICE PER METER
1.7	1	30006	PLUG PANEL TOP 2 TOP PIPES
1.8	1	30007	PLUG PANEL TOP POINTED 2 TOP PIPES
1.9	1	30005	PLUG PANEL POINTED W.HOLES/LOCK
1.10	2	30013	PLUG PANEL BOTTOM 50 CM/75 CM PANEL
1.11	11	39106020	CONNECTION SCREW M6X20 STAINLESS TORX 30
1.12	11	39206037	SPLICING SLEEVE M6X37 STAINLESS TORX 30



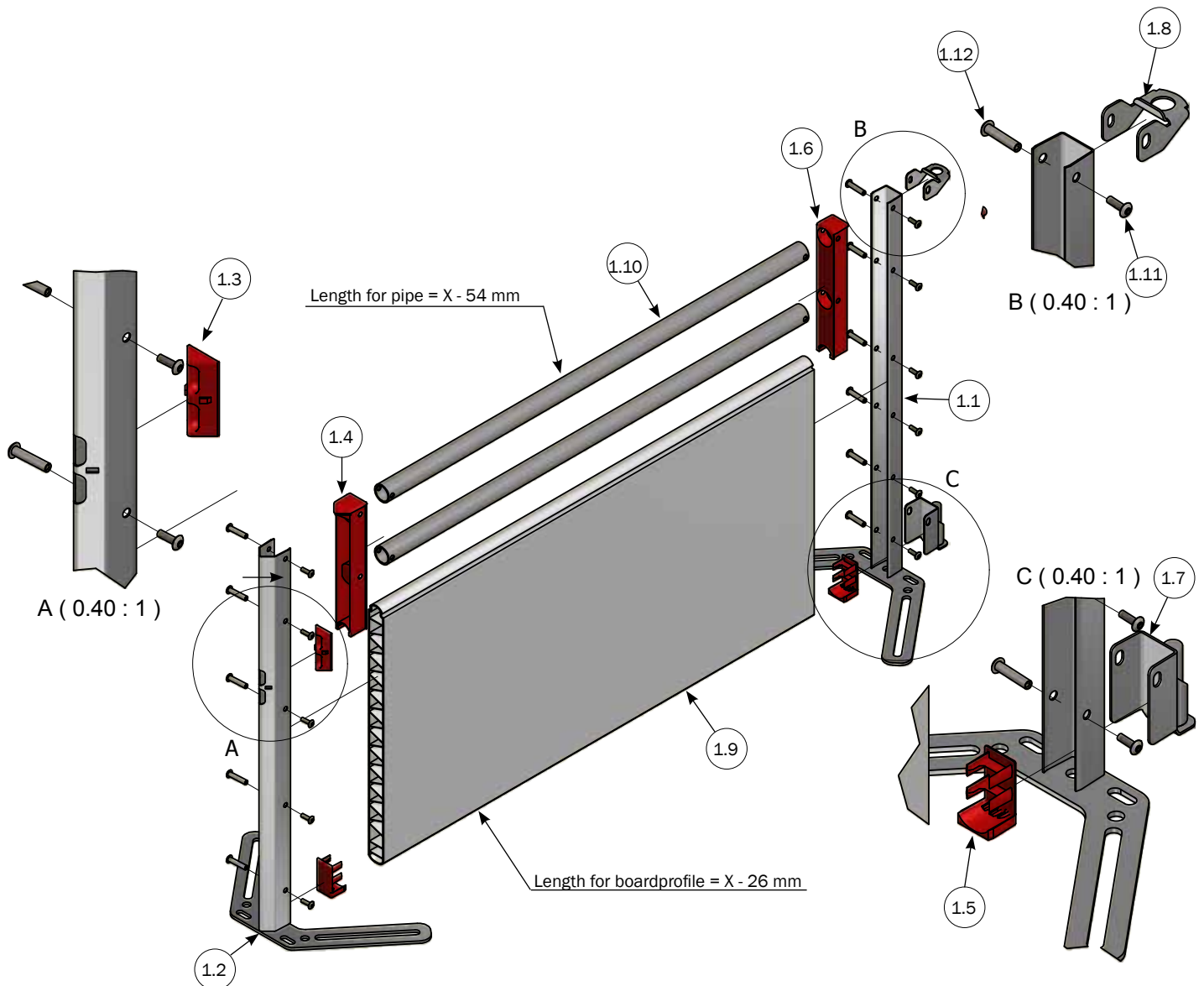
UNASSEMBLED FRONT PART WITH HINGE/RECEIVER POST FOR CLEAN-O-FLEX 750 BOARDPROFILE



PARTS LIST			
NO.	PCS.	ITEM NO.	DESCRIPTION
1	1	3210016U	KIT FOR FRONT PART H75 BOARDPROFILE HINGE POST/RECEIVER POST
1.1	1	3250101	POST FOR CLEAN-O-FLEX H750 H
1.2	2	30013	PLUG PANEL BOTTOM 50 CM/75 CM PANEL
1.3	1	17364	BOTTOM GATE BRACKET COF FOR U-POST
1.4	1	4950516	UPPER HINGE CLEAN-O-FLEX
1.5	11	39106020	CONNECTION SCREW M6X20 STAINLESS TORX 30
1.6	11	39206037	SPLICING SLEEVE M6X37 STAINLESS TORX 30
1.7	LBM	30105	BOARDPROFILE 35X750 MM SPEC. LENGTH PRICE PER METER
1.8	1	30001	PLUG PANEL TOP
1.9	1	30002	PLUG PANEL TOP POINTED
1.10	1	3250501	POST FOR RECEIVER H750
1.11	1	30005	PLUG PANEL POINTED W.HOLES/LOCK

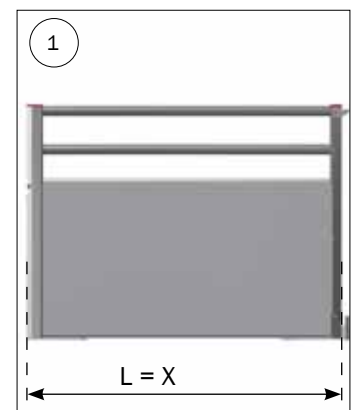


UNASSEMBLED FRONT PART WITH RECEIVER/HINGE FOR CLEAN-O-FLEX 750 BOARDPROFILE/2 BARS

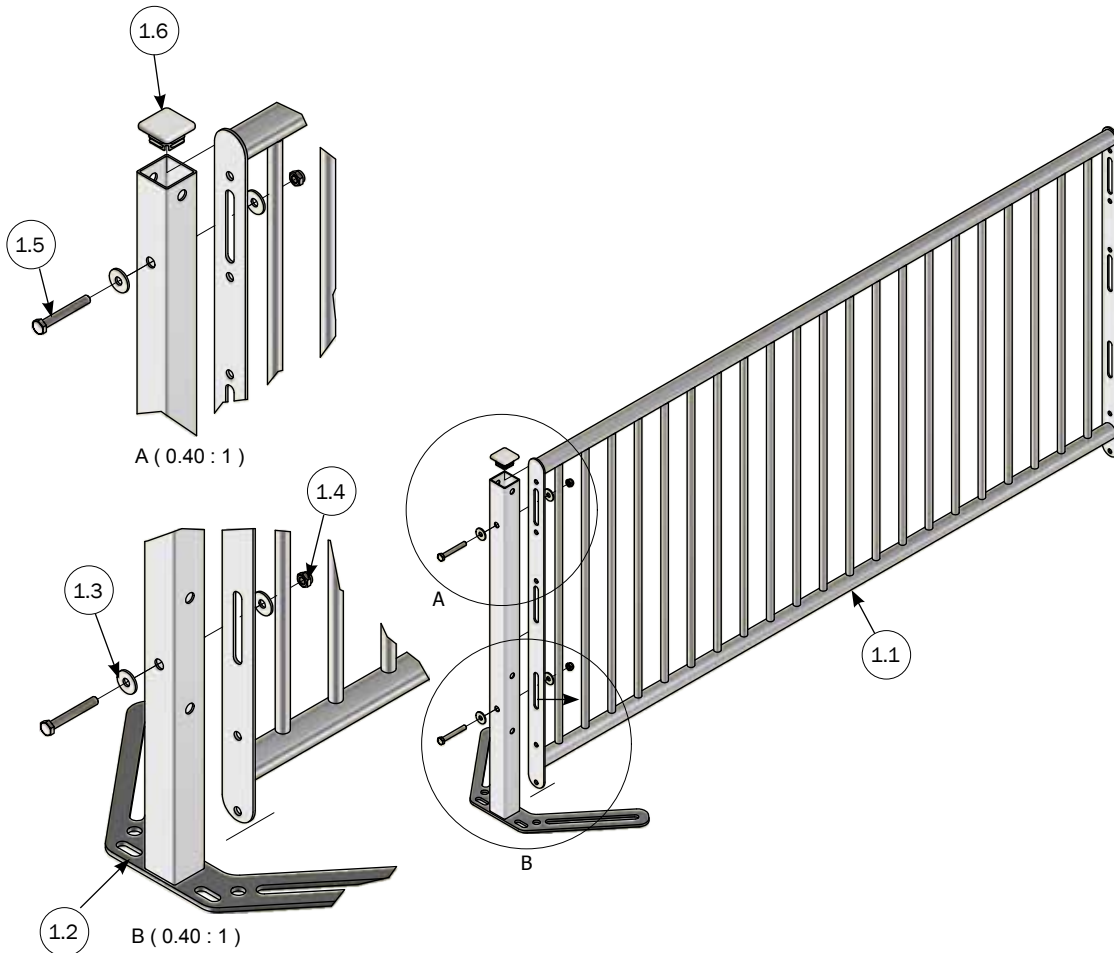


PARTS LIST

NO.	PCS.	ITEM NO.	DESCRIPTION
1	1	3210013U	KIT FOR FRONT PART H100 BOARDPROFILE/2BARS HINGE UPROFILE/RECEIVER UPROFILE
1.1	1	3250101	POST FOR CLEAN-O-FLEX H750 H
1.2	1	3250501	POST FOR RECEIVER H750
1.3	1	30005	PLUG PANEL POINTED W.HOLES/LOCK
1.4	1	30007	PLUG PANEL TOP POINTED 2 TOP PIPES
1.5	2	30013	PLUG PANEL BOTTOM 50 CM/75 CM PANEL
1.6	1	30006	PLUG PANEL TOP 2 TOP PIPES
1.7	1	17364	BOTTOM GATE BRACKET COF FOR U-POST
1.8	1	4950516	UPPER HINGE CLEAN-O-FLEX
1.9	LBM	30102	BOARDPROFILE 35X500 MM SPEC. LENGTH PRICE PER METER
1.10	LBM	112406	33.7 X 2.6 PIPE GALV. PRICE PER METER, LENGTH 6 METER
1.11	11	39106020	CONNECTION SCREW M6X20 STAINLESS TORX 30
1.12	11	39206037	SPLICING SLEEVE M6X37 STAINLESS TORX 30



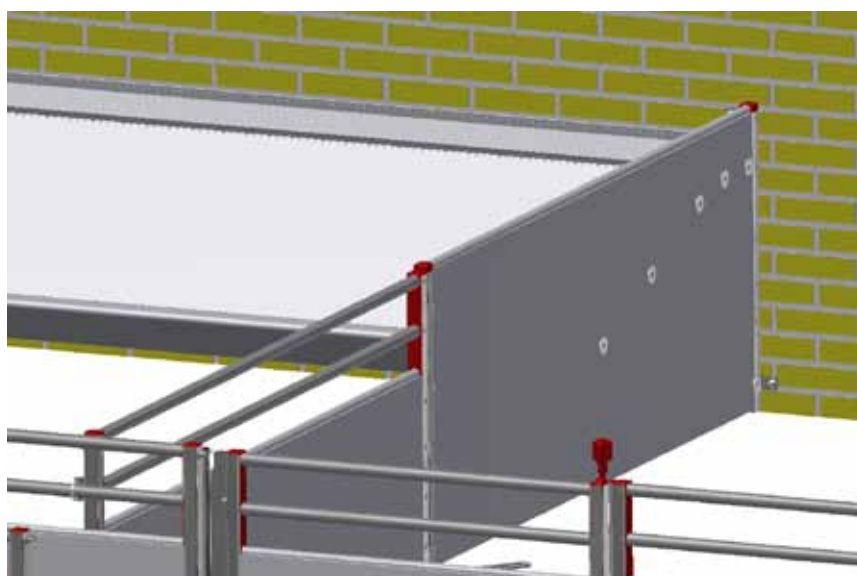
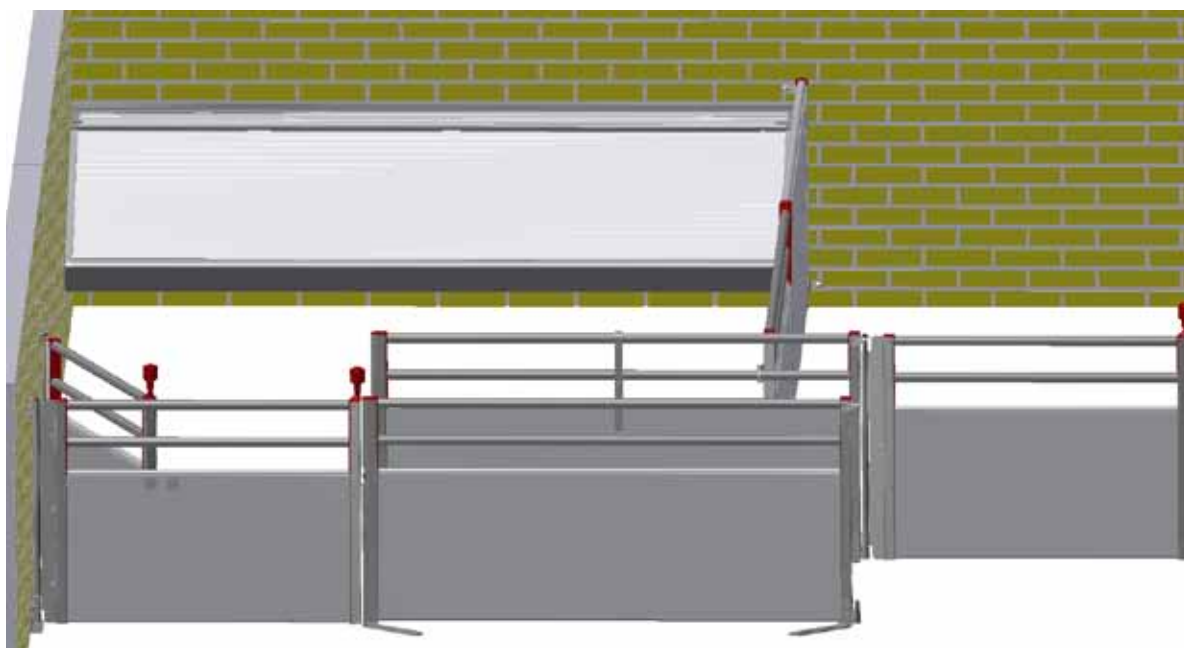
GRILLE FOR CLEAN-O-FLEX 750 1040-1540 MM



NO.	PCS.	ITEM NO.	DESCRIPTION
		3200104	GRILLE FOR CLEAN-O-FLEX 750/1040 WITH POST
		3200126	GRILLE FOR CLEAN-O-FLEX 750/1260 WITH POST
1	1	3200154	GRILLE FOR CLEAN-O-FLEX 750/1540 WITH POST
1.1	1	3150875	RUSTFRIT KONTAKTGITTER H:750 L:1500
1.2	1	3050055	POST FOR GRILLE
1.3	4	35600058	NUT WASHER Ø8X8,4/24/2 A2 DIN9021
1.4	2	33908001	LOCK NUT M8 A2 DIN 985
1.5	2	32508060	MACHINE SCREW M8X60 A2 DIN 931
1.6	1	30085	TOP CAP 40X40X2



FLEX COVER



For mounting of flexcover look at : Mounting instruction for flex cover
"M-6188"