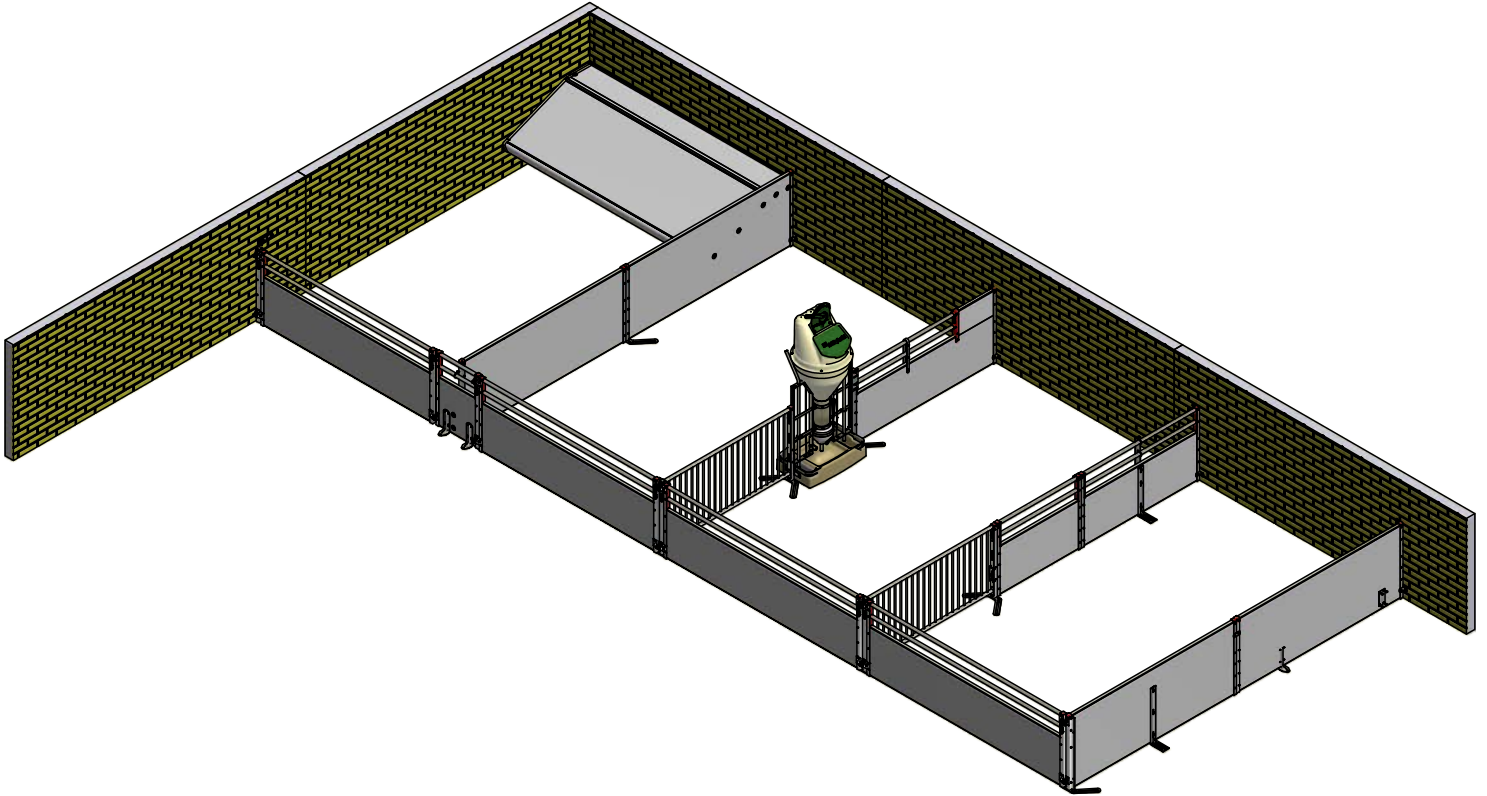


MOUNTING INSTRUCTION



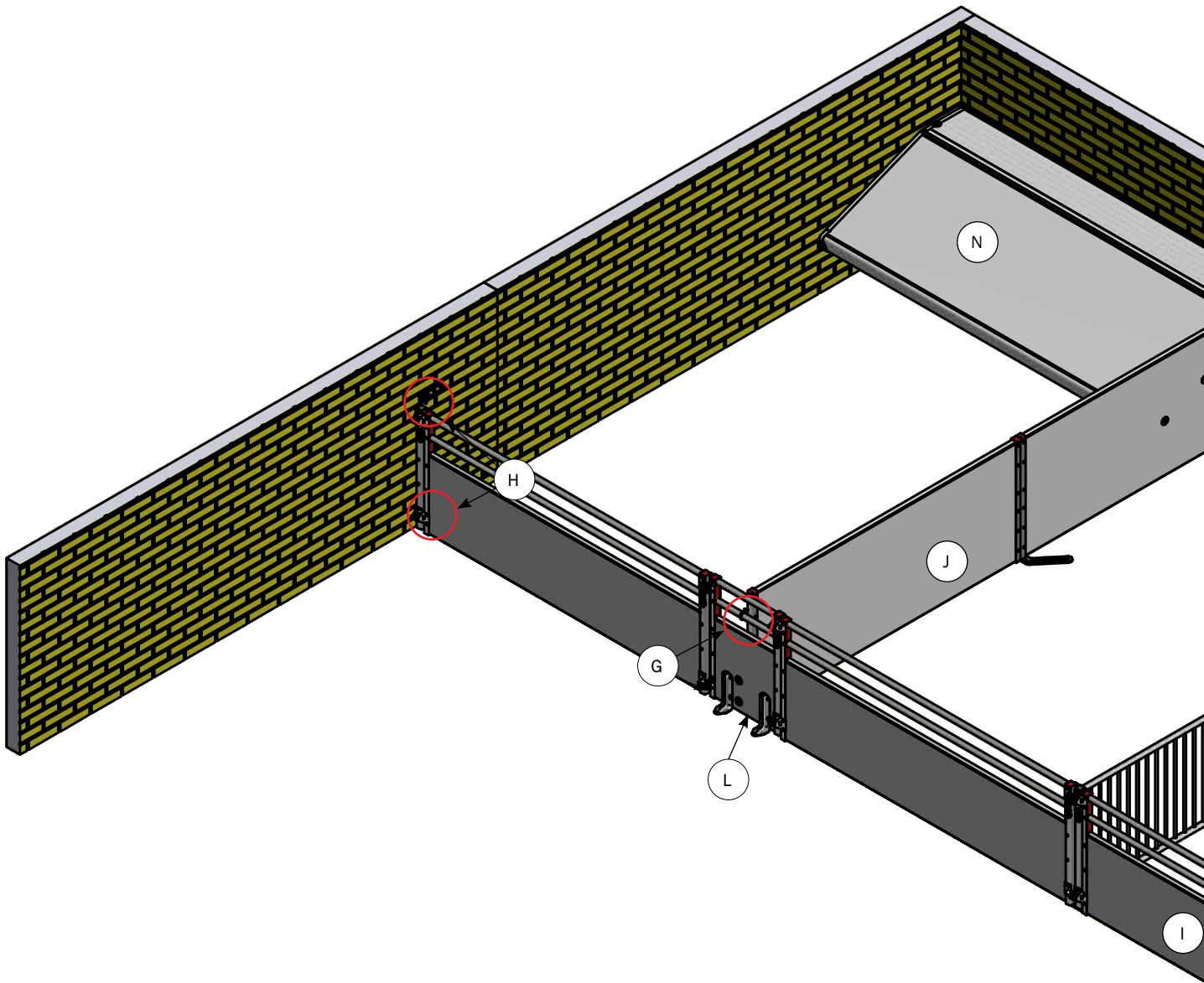
CLEAN-O-FLEX 750 WITH GATE FULL PEN



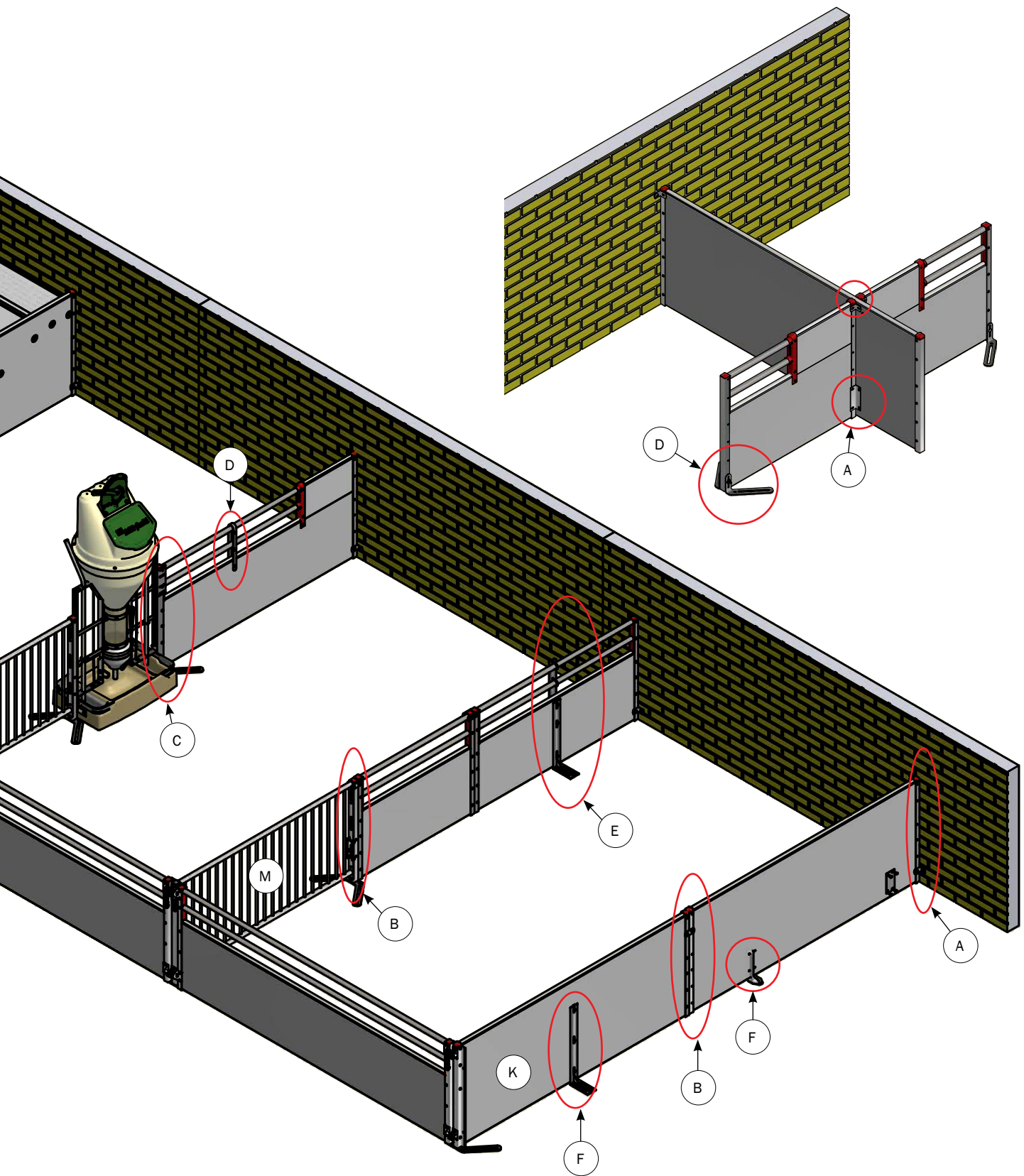
ACO FUNKI A/S
Kirkevænget 5
DK-7400 Herning

Tel. +45 9711 9600
Fax +45 9711 9677
www.acofunki.com

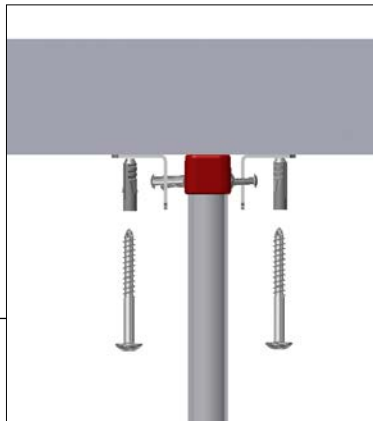
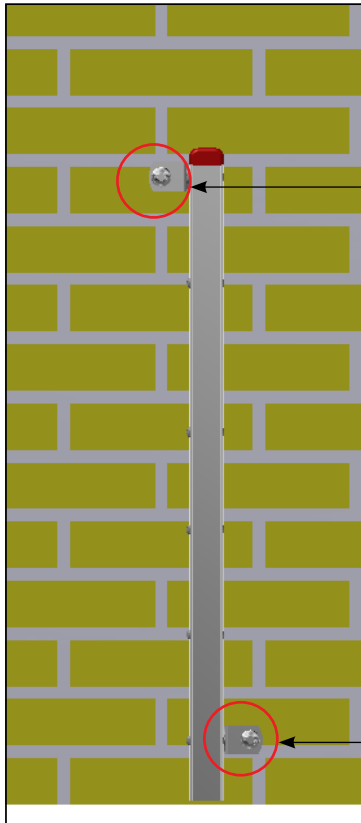
DANISH DESIGN | GERMAN QUALITY | GLOBAL EXPERIENCE



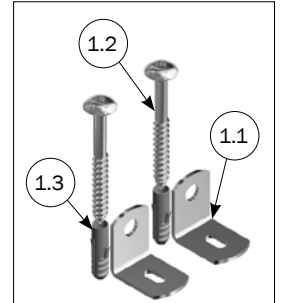
NO.	PAGE	DESCRIPTION
A	4	MOUNTING AGAINST WALL/ MOUNTING DOUBLE PANELWALL AGAINST U-POST
B	5	MOUNTING 2 SIDE IN EXTENSION OF EACH OTHER/U-POST AGAINST GRILLE
C	6	MOUNTING OF U-POST AGAINST FEEDER
D	7	MOUNTING OF LOOS FOUNDATION/ STABILIZATION OF BARS
E	8	STABILIZATION OF SIDE
F	9-10	STABILIZATION IN RESTING AREA
G	11	MOUNTING AGAINST FRONT PART
H	12	MOUNTING AND ADJUSTMENT OF GATE AGAINST WALL
I	13-14	PARTS LIST OF UNASSAMBLER GATE H75
J	15-20	PARTS LIST OF UNASSAMBLER SIDE H75
K	21-23	PARTS LIST OF UNASSAMBLER FRONT OMEGA POST/UPROFILE FOR GATE FULL PEN
L	24-25	FRONT PART H75 BOARDPROFILE FOR GATE FULL PEN
M	26-27	OVERVIEW ON GRILLE H100
N	28	FLEX COVER M-6188



MOUNTING OF U-POST AGAINST WALL



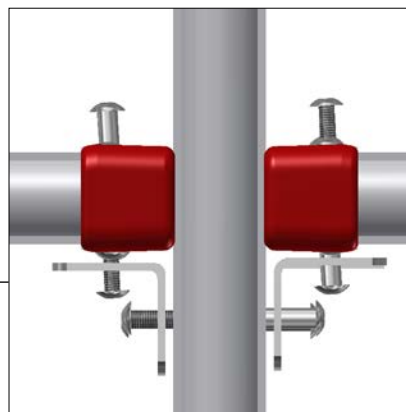
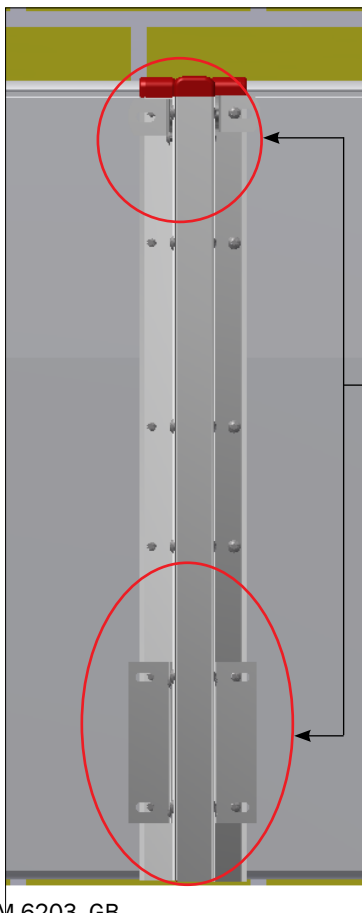
Bracket is Mounted with connection screw from post.



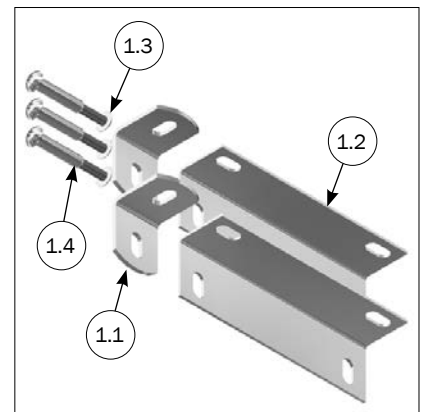
PARTS LIST

NO.	PCS.	ITEM NO.	DESCRIPTION
1	1	38520	MOUNT KIT FOR U-POST AGAINST WALL
1.1	2	30906	WALL BRACKET ANGLE/PANEL
1.2	2	67444	10 X 70 BUTTON HEAD TORX 50 STAINLESS STEEL
1.3	2	39900001	WALL PLUG 12X60 MM

MOUNTING OF U-POST AGAINST DOUBLE PANEL WALL



For mounting only 1 wall look at page 13

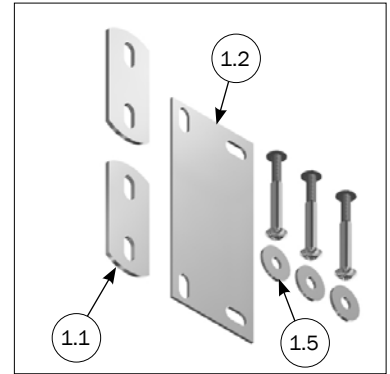
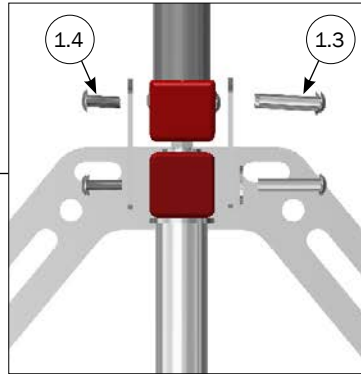
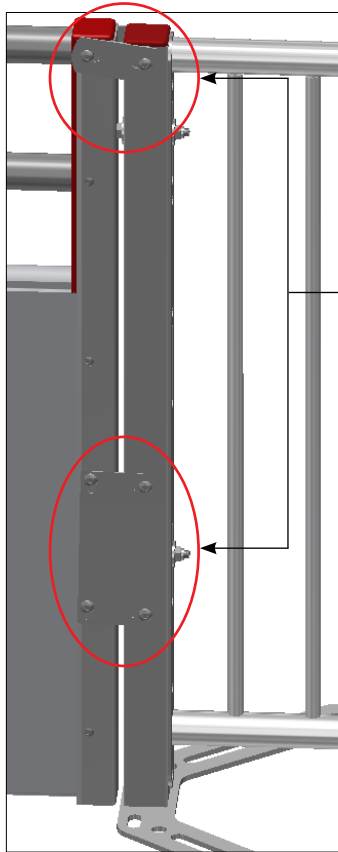


PARTS LIST

NO.	PCS.	ITEM NO.	DESCRIPTION
1	1	38530	MOUNT KIT F/UPOST DOUBLE AGAINST PANELWALL
1.1	2	30900	WALL BRACKET SMALL
1.2	2	30901	ANGLE BRACKET, LONG
1.3	3	39106020	CONNECTION SCREW M6X20 STAINLESS TORX 30
1.4	3	39206037	SPLICING SLEEVE M6X37 STAINLESS TORX 30

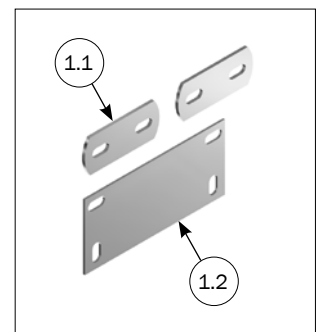
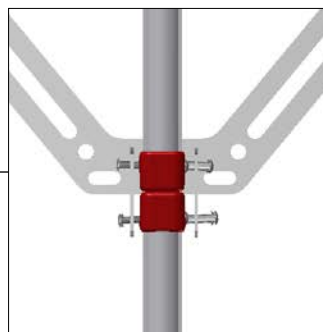
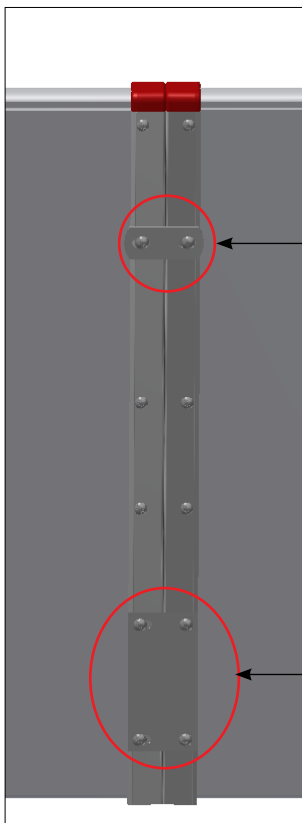
M-6203_GB

MONTERING AF U-STOLPE AGAINST GRILLE



PARTS LIST			
NO.	PCS.	ITEM NO.	DESCRIPTION
1	1	38525	MOUNT KIT F/U-POST AGAINST GRILLE
1.1	2	30902	ASSEMBLY BRACKET FLAT IRON, SMALL
1.2	1	30903	ASSEMBLY BRACKET FLAT IRON, LARGE
1.3	3	39206037	SPLICING SLEEVE M6X37 STAINLESS TORX 30
1.4	3	39106020	CONNECTION SCREW M6X20 STAINLESS TORX 30
1.5	3	35600058	NUT WASHER Ø8X8,4/24/2 A2 DIN9021

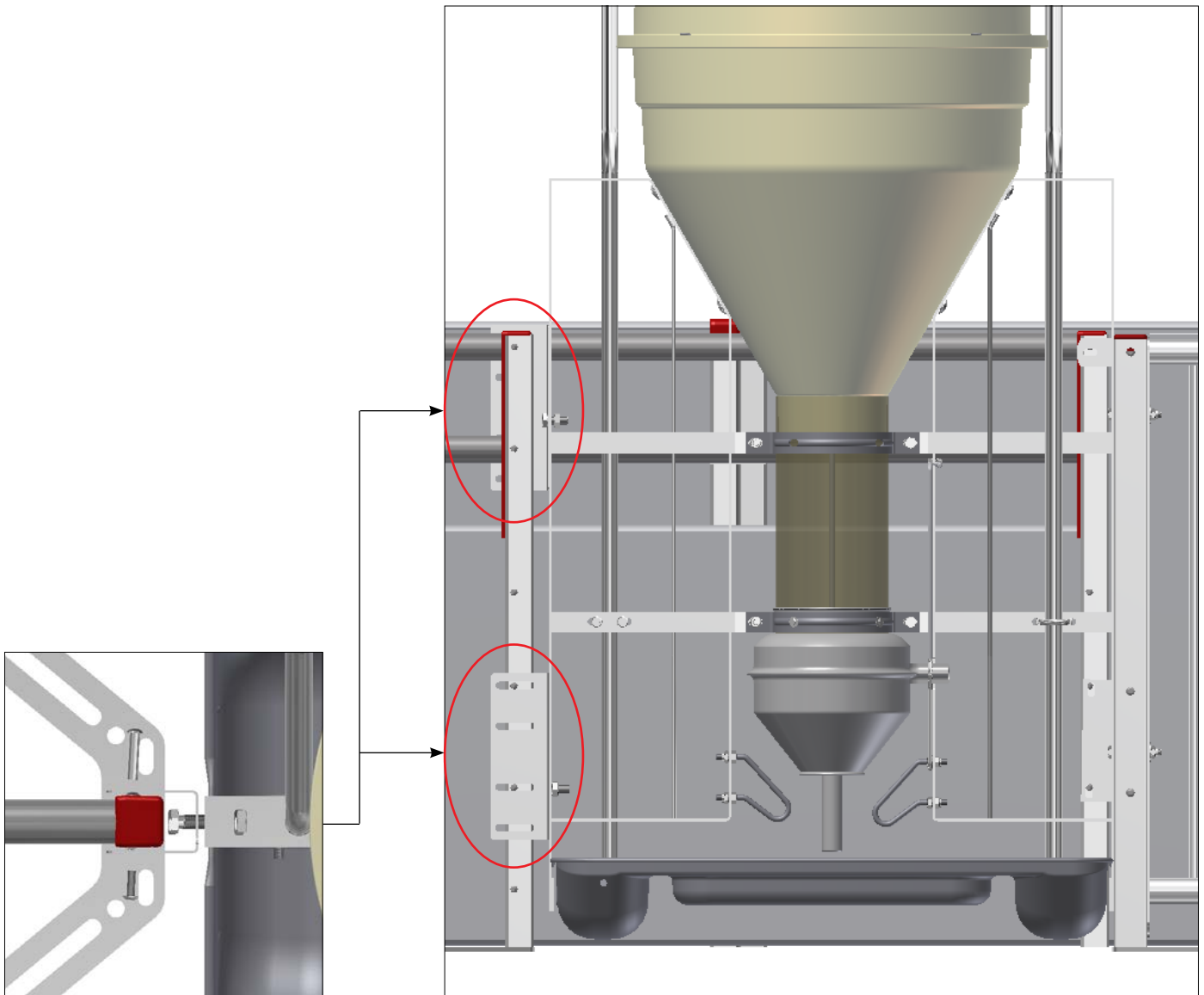
MOUNTING OF 2 SIDE IN EXTENSION OF EACH OTHER



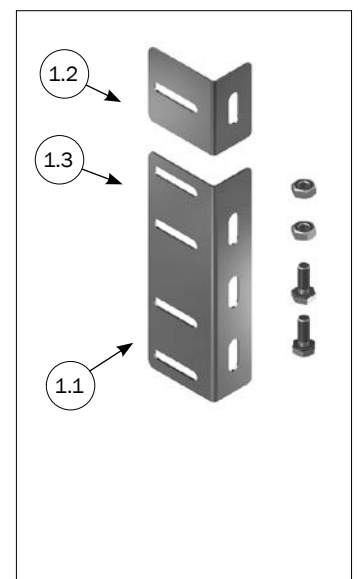
Bracket is Mounted with connection screw from post.

PARTS LIST			
NO.	PCS.	ITEM NO.	DESCRIPTION
1	1	38522	BRACKET FOR MOUNTING 2 SIDE IN EXTENSION OF EACH OTHER
1.1	2	30902	ASSEMBLY BRACKET FLAT IRON, SMALL
1.2	1	30903	ASSEMBLY BRACKET FLAT IRON, LARGE

MOUNTING OF BRACKET ON U-POST AGAINST FEEDER

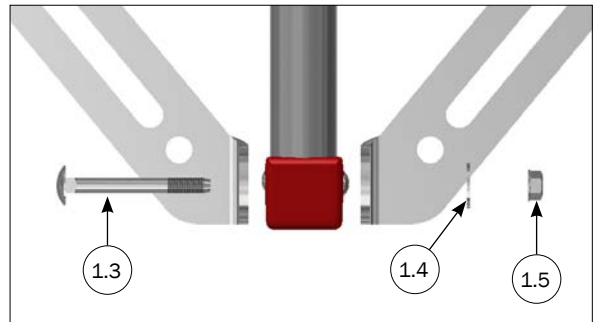
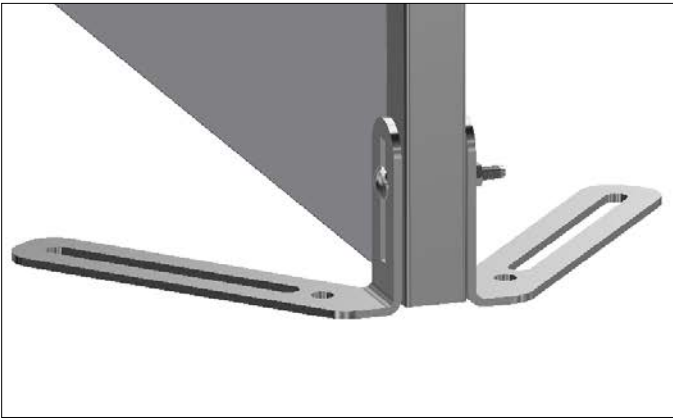


Bracket is mounting with connection screw from post.

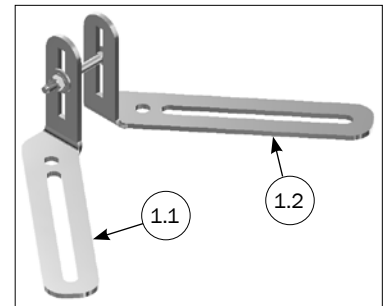


PARTS LIST			
NO.	PCS.	ITEM NO.	DESCRIPTION
1	1	38524	MOUNT KIT FOR U-POST AGAINST FEEDERS
1.1	1	30904	TUBE-O-MAT® BRACKET
1.2	2	30310025	SET SCREW M10X25 A2 DIN 933
1.3	2	33510017	NUT M10 A2 DIN 934

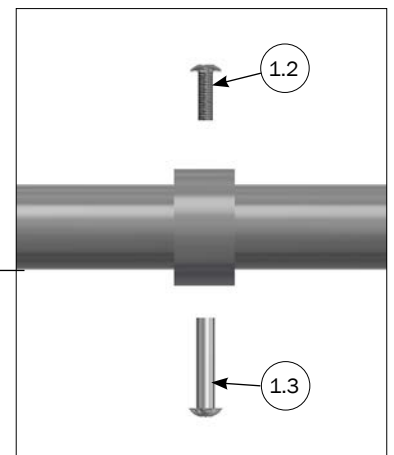
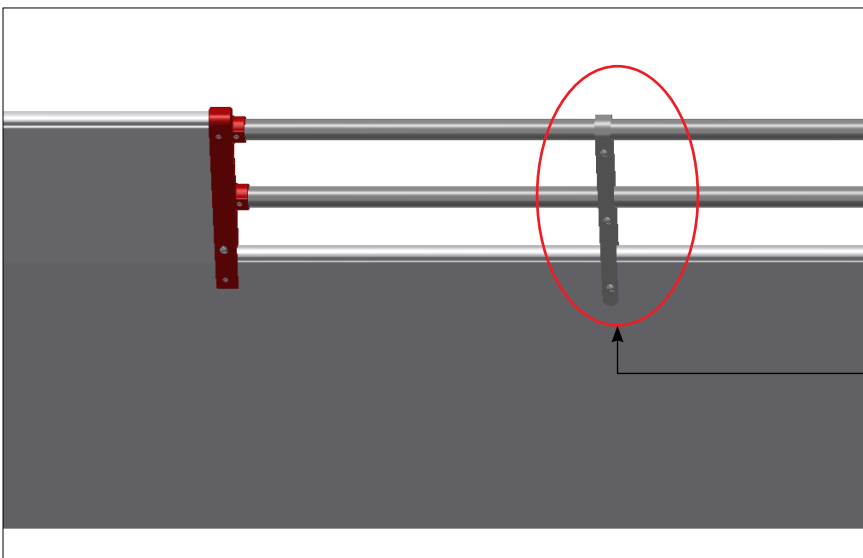
MOUNTING OF LOOSE FOUNDATION



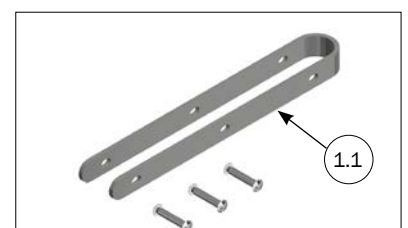
PARTS LIST			
NO.	PCS.	ITEM NO.	DESCRIPTION
1	1	4900803	LOOSE FOUNDATION SET LEFT ANDRIGHT
1.1	1	8450702	HALF FOOT PLATE RIGHT STAINLESS STEEL
1.2	1	8450701	HALF FOOT PLATE LEFT STAINLESS STEEL
1.3	1	36308075	MUSHROOMHEADED BOLT M8X75 A2 DIN 603
1.4	1	35600058	NUT WASHER Ø8X8,4/24/2 A2 DIN9021
1.5	1	68552	M8 FLANGE NUT DIN 6923 A2



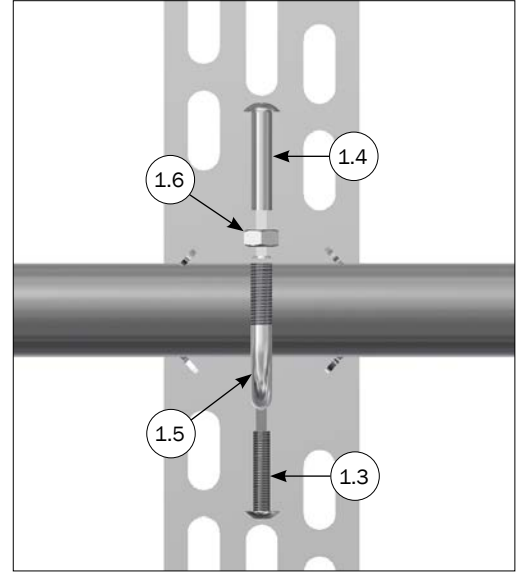
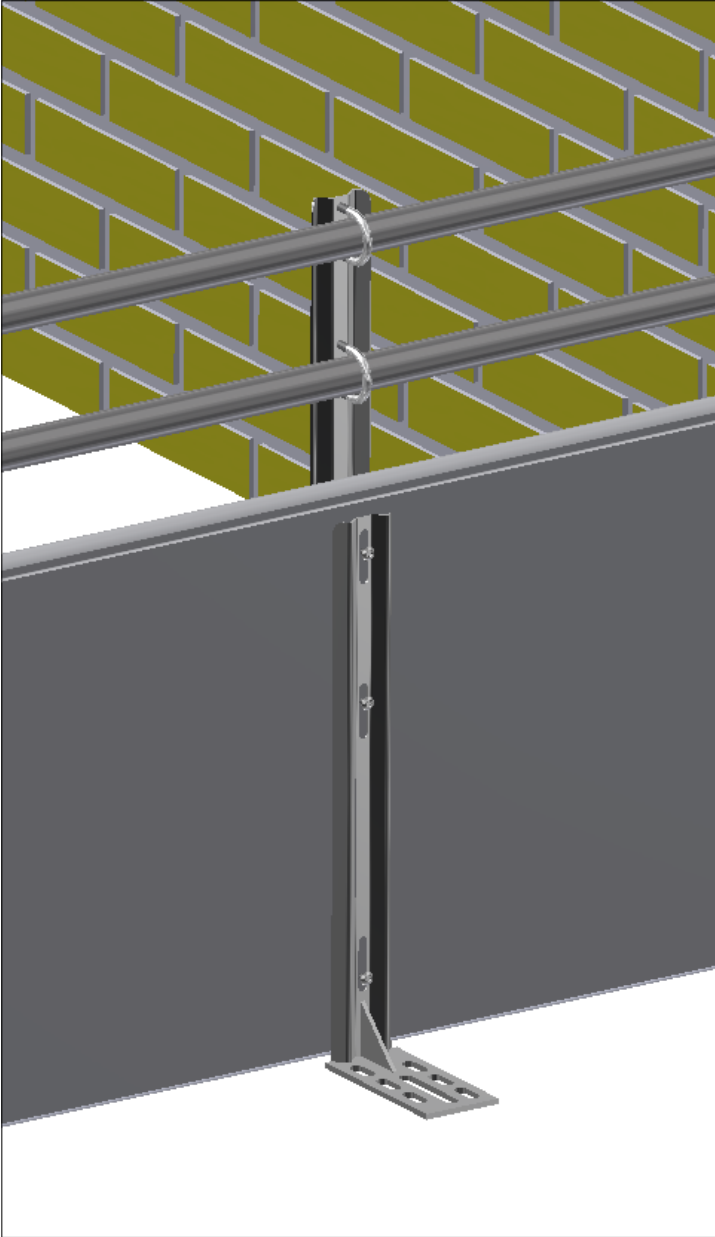
STABILIZATION FOR BARS



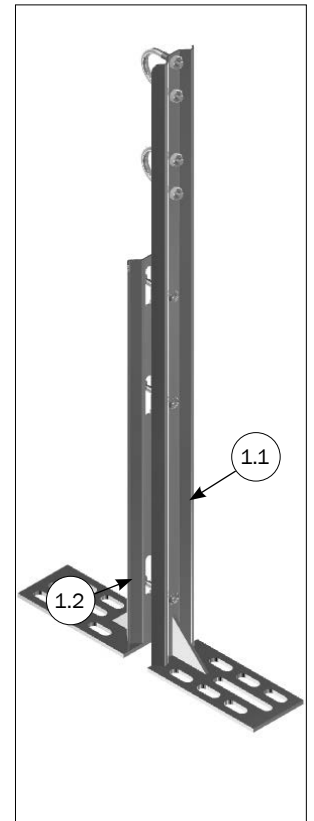
PARTS LIST			
NO.	PCS.	ITEM NO.	DESCRIPTION
1	1	4900331	SUPPORT FOR BOARDPROFILE AND BARS, INCL SCREWS
1.1	1	4920331	SUPPORT FOR PANEL AND BARS
1.2	3	39106020	CONNECTION SCREW M6X20 STAINLESS TORX 30
1.3	3	39206037	SPLICING SLEEVE M6X37 STAINLESS TORX 30



STABILIZATION



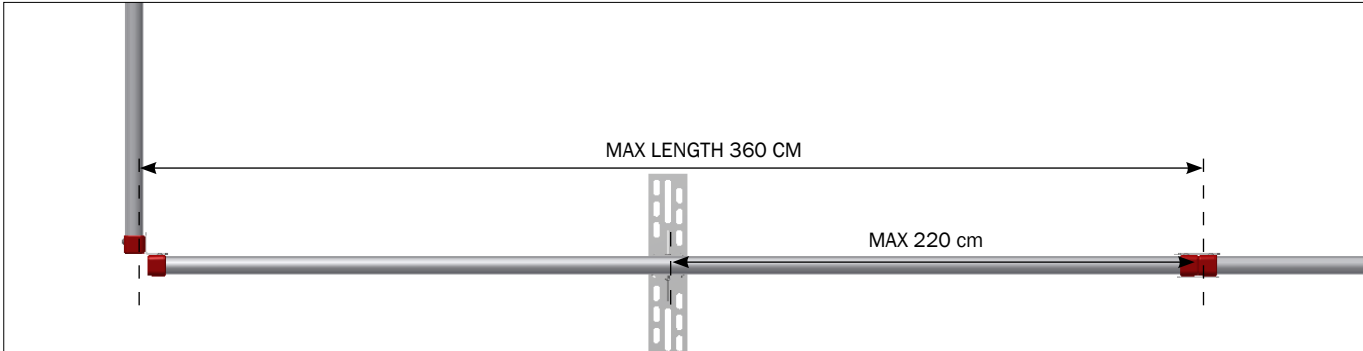
If partition has a length for 2800 mm or more, **must** stabilization post be mounted.



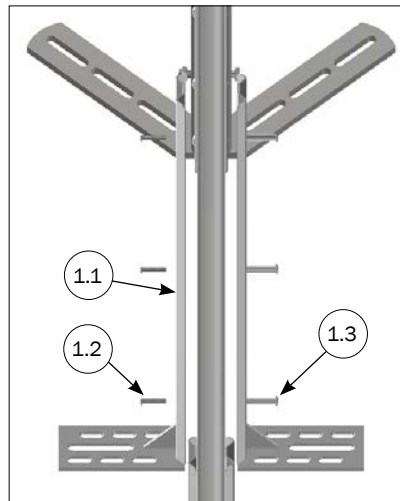
PARTS LIST

NO.	PCS.	ITEM NO.	DESCRIPTION
		38928	STABILISATION POST BOARDPROFILE/2 BARS H75 EX. BOLT FOR FLOOR
1.1	1	38909	STABILISATIONS POST H75 CLEAN-O-FLEX 77,4 CM
1.2	1	38917	STABILIZATION POST H50 CLEAN-O-FLEX 49,5 CM
1.3	3	39106030	CONNECTION SCREW M6X30 STAINLESS TORX 30
1.4	3	39206037	SPLICING SLEEVE M6X37 STAINLESS TORX 30
1.5	2	90100062	U-BOLT 1' STAINLESS
1.6	4	33508013	NUT M8 A2 DIN 934

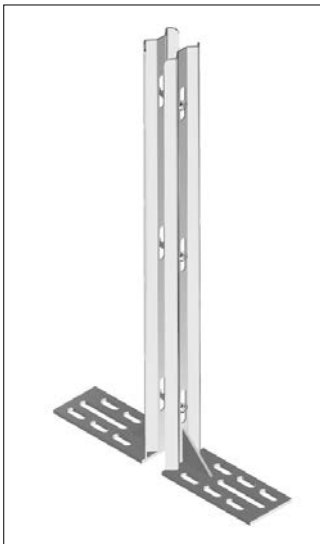
STABILIZATION IN RESTING AREA WITH POST FOR BOARDPROFILE



For stabilization in resting area
must there for each **MAX 220 cm**
be mounted: "38923"

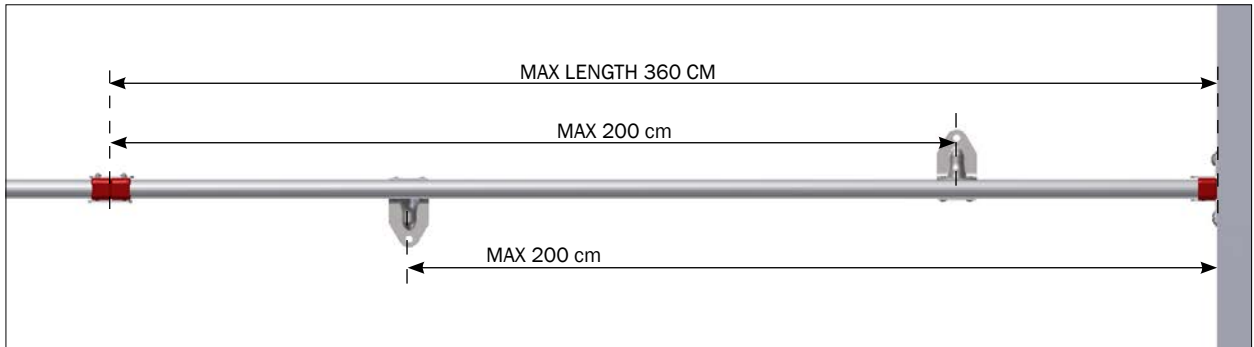


38923
STABILIZATION POST BOARDPROFILE H75/
H100 EX. BOLT FOR FLOOR

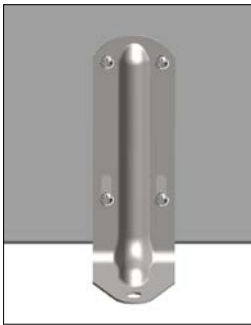


PARTS LIST			
NO.	PCS.	ITEM NO.	DESCRIPTION
1	1	38923	STABILIZATION POST BOARDPROFILE H75/H100 EX. BOLT FOR FLOOR
1.1	2	38910	STABILISATIONS POST H58 CM
1.2	3	39106020	CONNECTION SCREW M6X20 STAINLESS TORX 30
1.3	3	39206037	SPLICING SLEEVE M6X37 STAINLESS TORX 30

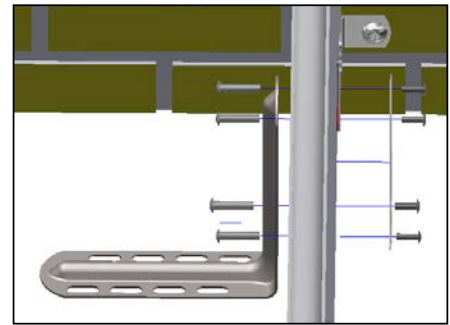
STABILIZATION IN RESTING AREA WITH LOW SUPPORT FOUNDATION



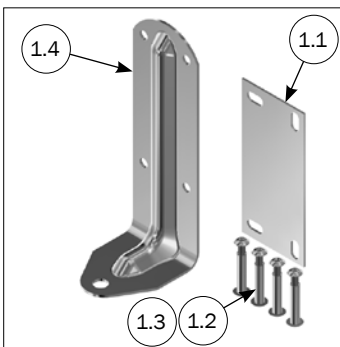
For stabilization in resting area must for each **MAX 220** cm be mounted: "4900802 or"4900806"



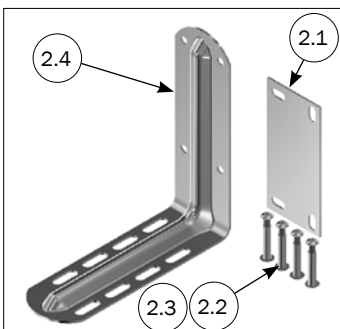
4900806
SUPPORT FOUNDATION FOR CONCRETE
CLEAN-O-FLEX



4900802
SUPPORT FOUNDATION FOR SLATS
CLEAN-O-FLEX

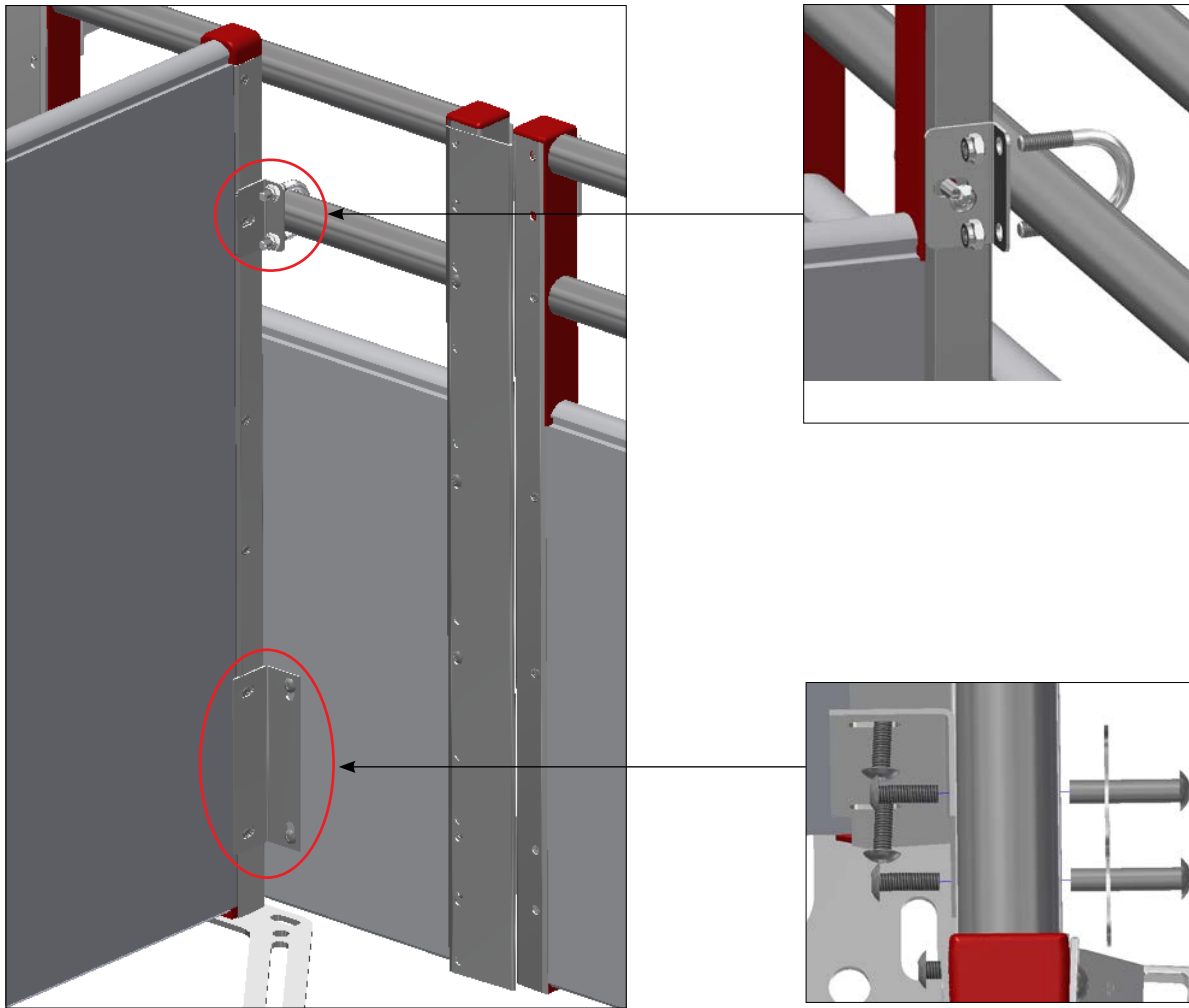


PARTS LIST			
NO.	PCS.	ITEM NO.	DESCRIPTION
1	1	4900806	SUPPORT FOUNDATION FOR CONCRETE CLEAN-O-FLEX
1.1	1	30903	ASSEMBLY BRACKET FLAT IRON, LARGE
1.2	4	39106020	CONNECTION SCREW M6X20 STAINLESS TORX 30
1.3	4	39206037	SPLICING SLEEVE M6X37 STAINLESS TORX 30
1.4	1	30806	SINGLE FOOTBRACKET FOR CONCRET

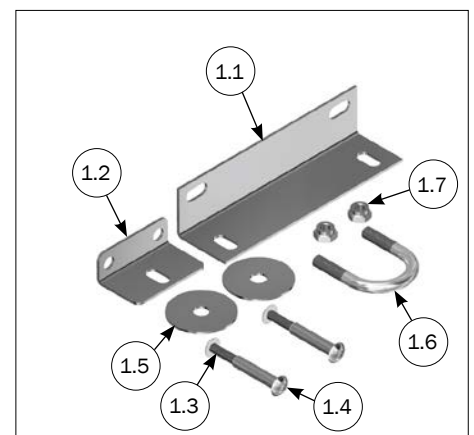


PARTS LIST			
NO.	PCS.	ITEM NO.	DESCRIPTION
2	1	4900802	SUPPORT FOUNDATION FOR SLATS CLEAN-O-FLEX
2.1	1	30903	ASSEMBLY BRACKET FLAT IRON, LARGE
2.2	4	39106020	CONNECTION SCREW M6X20 STAINLESS TORX 30
2.3	4	39206037	SPLICING SLEEVE M6X37 STAINLESS TORX 30
2.4	1	30802	SINGLE FOOTBRACKET FOR SLATS

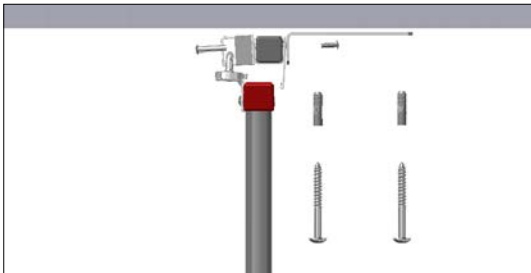
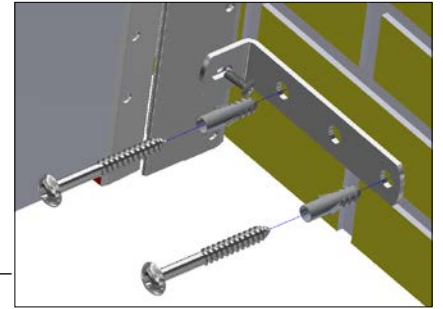
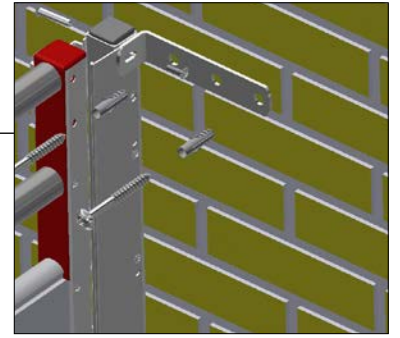
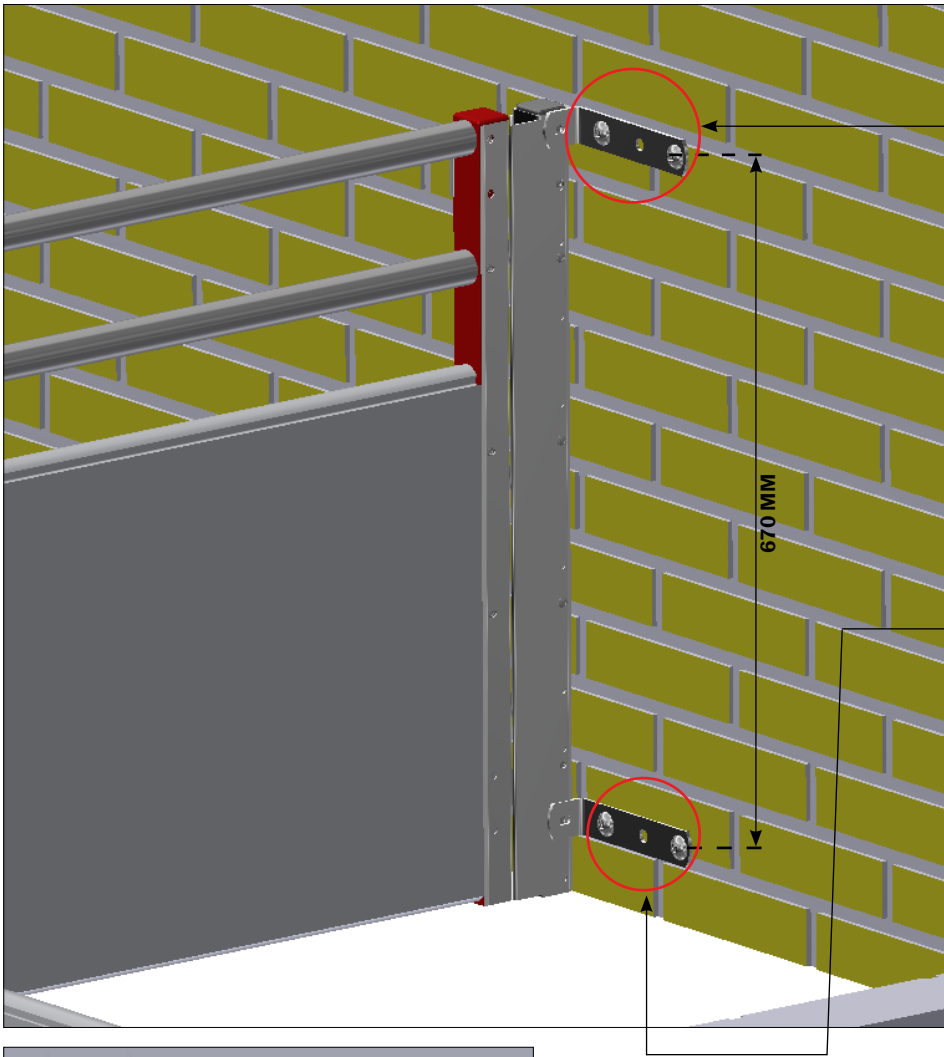
MOUNTING OF U-POST AGAINST FRONT PART BOARDPROFILE/BARS



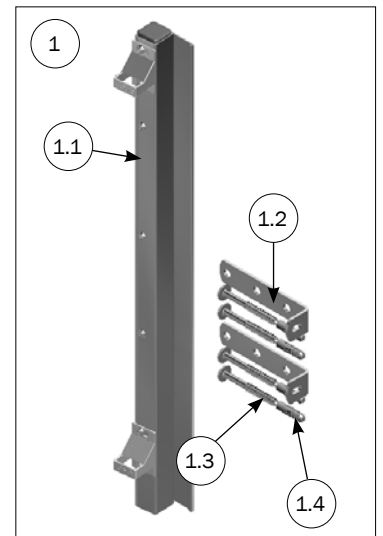
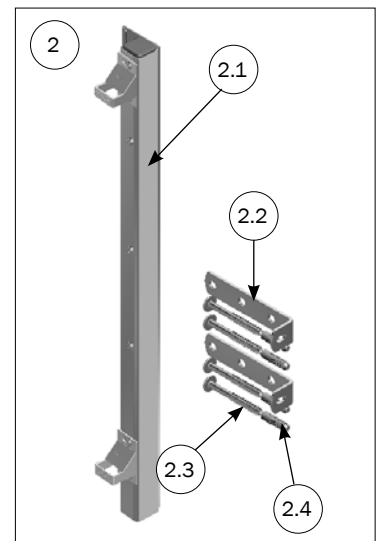
PARTS LIST			
NO.	PCS.	ITEM NO.	DESCRIPTION
1	1	38527	MOUNT KIT F/U-POST AGAINST FRONT PART BOARDPROFILE/BARS
1.1	1	30901	ANGLE BRACKET, LONG
1.2	1	30898	ANGLE BRACKET FOR TOPBAR SMALL
1.3	2	39106020	CONNECTION SCREW M6X20 STAINLESS TORX 30
1.4	2	39206037	SPLICING SLEEVE M6X37 STAINLESS TORX 30
1.5	2	20037	MASTER CLAMP WASHER Ø10,5/45 1,5 A2
1.6	1	90100062	U-BOLT 1" M8 STAINLESS STEEL
1.7	2	33908001	LOCK NUT M8 A2 DIN 985



MOUNTING OF WALL BRACKET FOR GATE FULL PEN



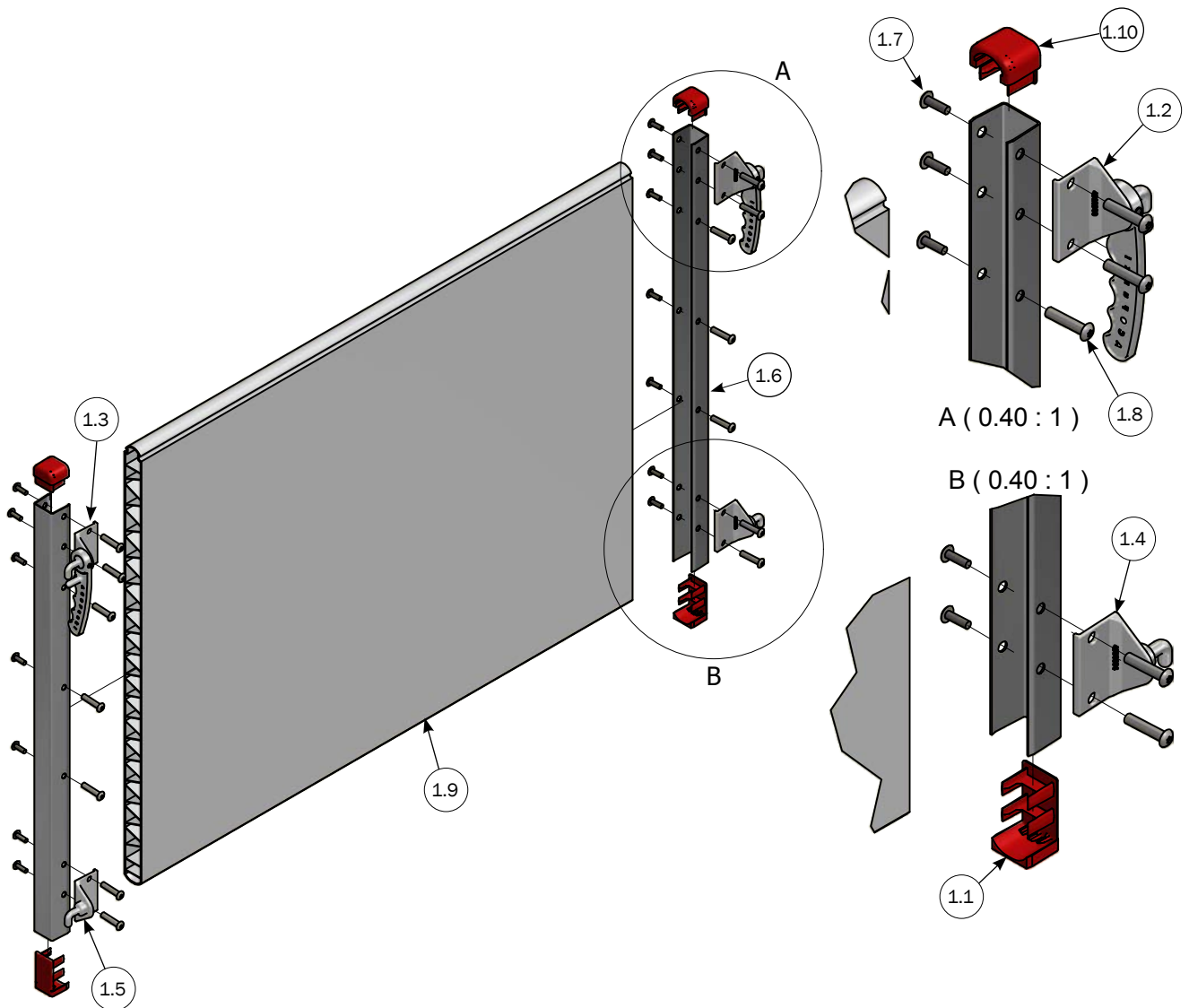
Wall bracket is mounted on post with connection screw from post



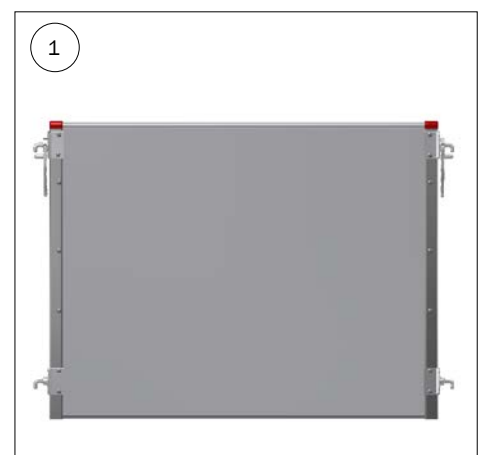
PARTS LIST

NO.	PCS.	ITEM NO.	DESCRIPTION
1	1	3200103	WALL BRACKET LEFT INCL. ANGLEBRACKET AND SCREWS
1.1	1	3210103	WALL BRACKET WITH HINGER LEFT
1.2	2	30899	BRACKET FOR WALL LONG
1.3	4	67444	10 X 70 BUTTON HEAD TORX 50 STAINLESS STEEL
1.4	4	39900001	WALL PLUG 12X60 MM
2	1	3200102	WALL BRACKET RIGHT INCL. ANGLEBRACKET AND SCREWS
2.1	1	3210102	WALL BRACKET WITH HINGER RIGHT
2.2	2	30899	BRACKET FOR WALL LONG
2.3	4	67444	10 X 70 BUTTON HEAD TORX 50 STAINLESS STEEL
2.4	4	39900001	WALL PLUG 12X60 MM

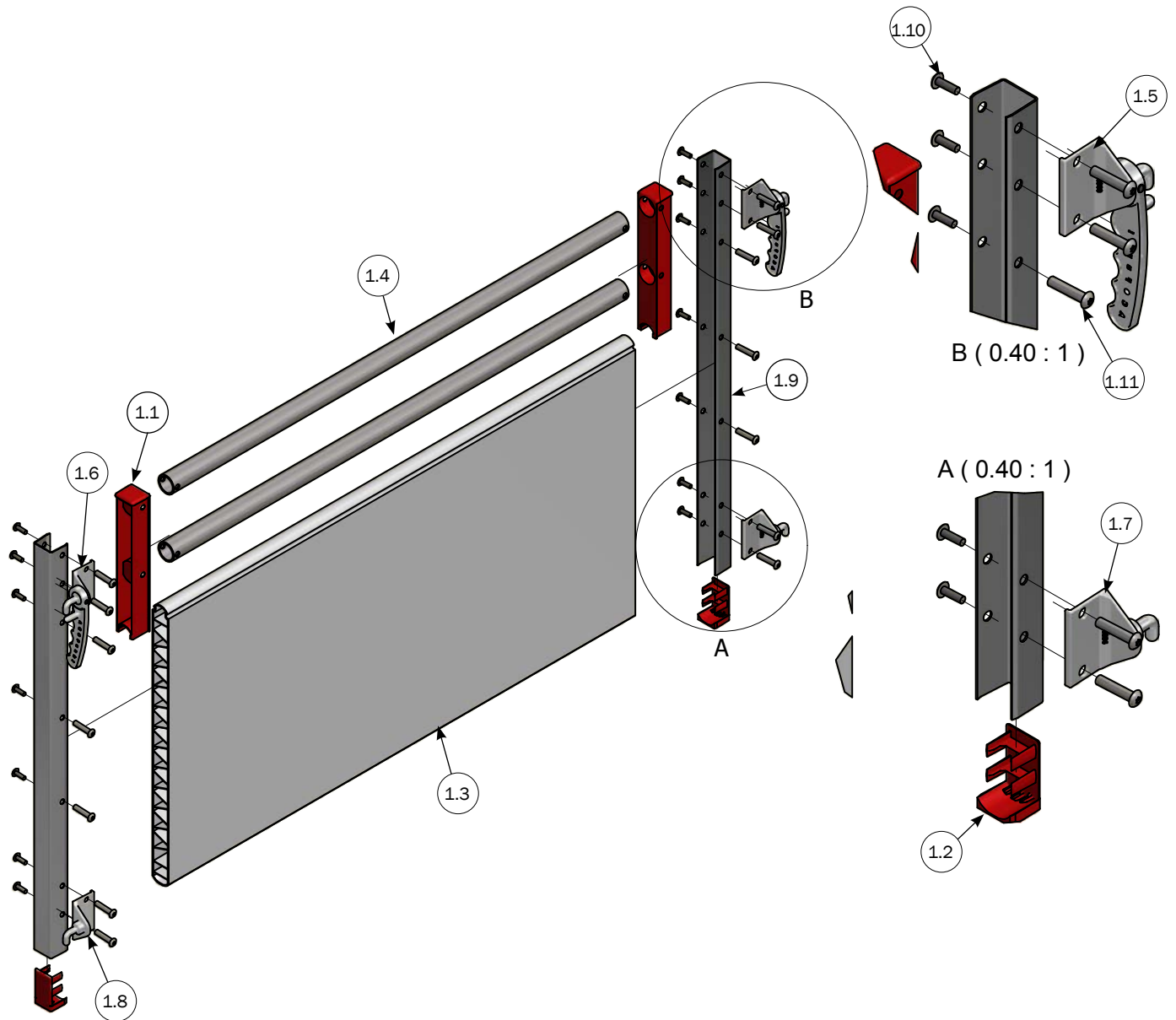
GATE FULL PEN FOR CLEAN-O-FLEX H75 300-2600 MM BOARDPROFILE



NO.	ITEM NO.	DESCRIPTION
1	3210012	GATE FULL PEN H75 BOARDPROFILE 300-2600 MM
1.1	30013	PLUG PANEL BOTTOM 50 CM/75 CM PANEL
1.2	4910900	HANDLE STAINLESS STEEL RIGHT
1.3	4910889	HANDLE STAINLESS STEEL LEFT
1.4	4950884	LOWER HINGER FOR GATE STAINLESS STEEL RIGHT
1.5	4950887	LOWER HINGER FOR GATE STAINLESS STEEL LEFT
1.6	3050175	UPROFILE 753 MM FOR GATE CLEAN-O-FLEX
1.7	39106020	CONNECTION SCREW M6X20 STAINLESS TORX 30
1.8	39206037	SPLICING SLEEVE M6X37 STAINLESS TORX 30
1.9	7910105	PLANKE 35X750 MM SPEC. LÆNGDE
1.10	30001	PLUG PANEL TOP



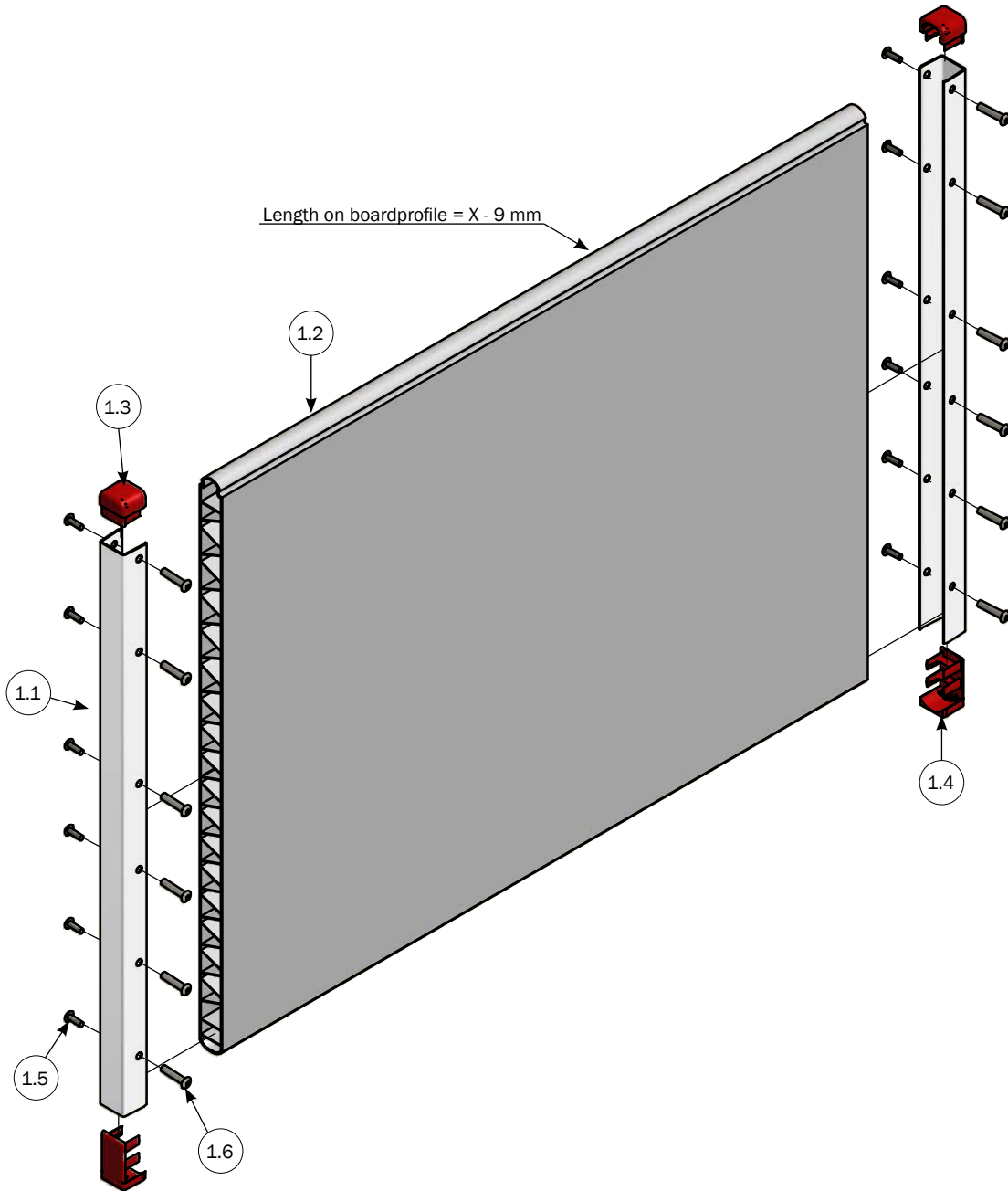
GATE FULL PEN FOR CLEAN-O-FLEX H75 300-2600 MM BOARDPROFILE/2 PIPE



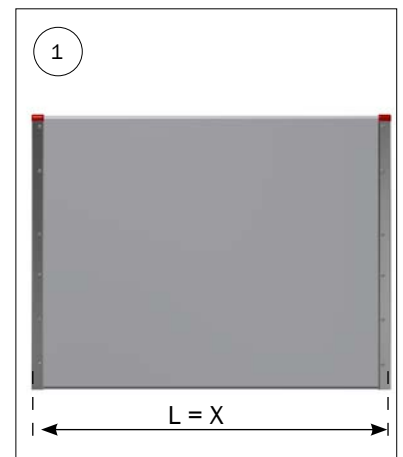
NO.	ITEM NO.	DESCRIPTION
1	3210011	GATE FULL PEN H75 BOARDPROFILE/BARS 300-2600 MM
1.1	30006	PLUG PANEL TOP 2 TOP PIPES
1.2	30013	PLUG PANEL BOTTOM 50 CM/75 CMBOARDPROFILE
1.3	7910102	PLANKE 35X500 MM SPEC. LÆNGDE
1.4	7910406	33,7 X 2,60 RØR GALVANISERET LBM
1.5	4910900	HANDLE STAINLESS STEEL RIGHT
1.6	4910889	HANDLE STAINLESS STEEL LEFT
1.7	4950884	LOWER HINGER FOR GATE STAINLESS STEEL RIGHT
1.8	4950887	LOWER HINGER FOR GATE STAINLESS STEEL LEFT
1.9	3050175	UPROFILE 753 MM FOR GATE CLEAN-O-FLEX
1.10	39106020	CONNECTION SCREW M6X20 STAINLESS TORX 30
1.11	39206037	SPLICING SLEEVE M6X37 STAINLESS TORX 30



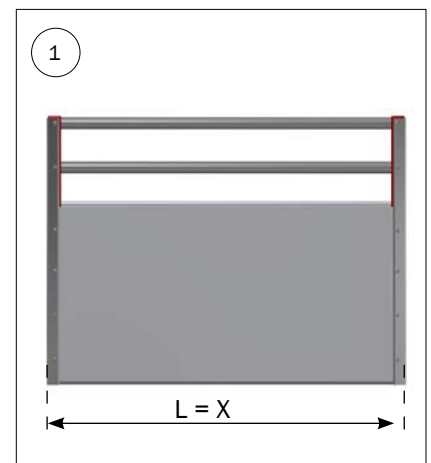
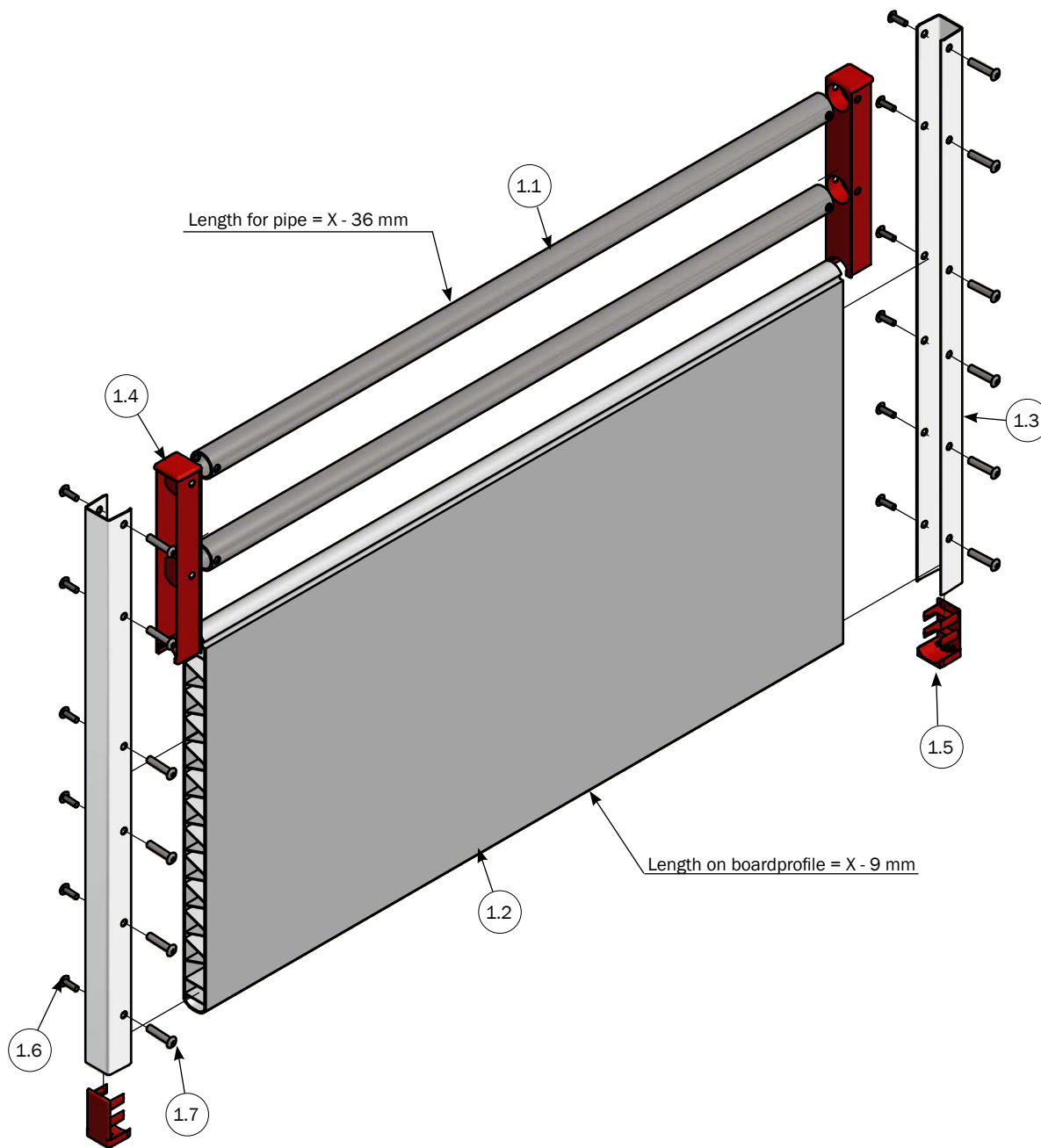
UNASSEMBLED PARTITION FOR CLEAN-O-FLEX 750 BOARDPROFILE



PARTS LIST			
NO.	PCS.	ITEM NO.	DESCRIPTION
1	1	33700U	KIT FOR SIDE H75 BOARDPROFILE, UPROFILE/UPROFILE
1.1	2	H4583R	UPROFILE H753 1,5 MM
1.2	LBM	7910105	PLANKE 35X750 MM SPEC. LÆNGDE
1.3	2	30001	PLUG PANEL TOP
1.4	2	30013	PLUG PANEL BOTTOM 50 CM/75 CM PANEL
1.5	12	39106020	CONNECTION SCREW M6X20 STAINLESS TORX 30
1.6	12	39206037	SPLICING SLEEVE M6X37 STAINLESS TORX 30



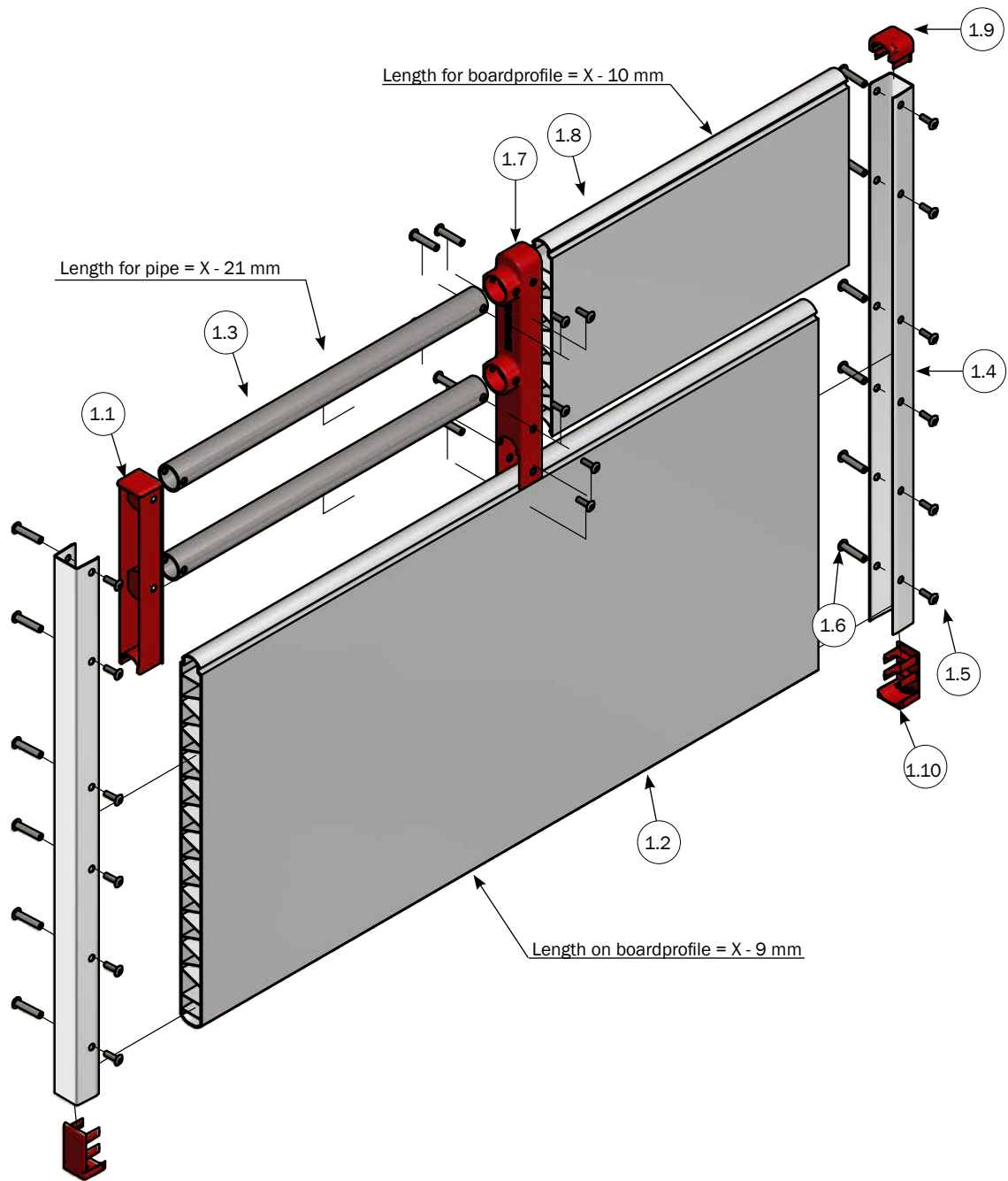
UNASSEMBLED PARTITION FOR CLEAN-O-FLEX 750 2 BARS/BOARDPROFILE



PARTS LIST

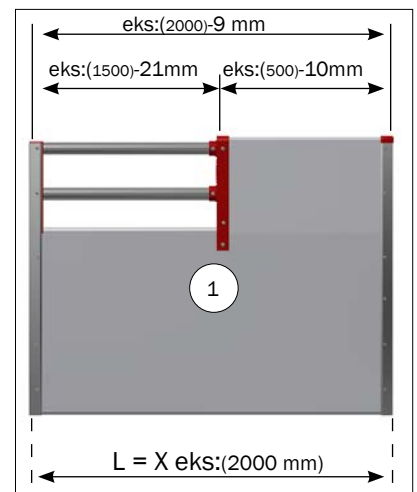
NO.	PCS.	ITEM NO.	DESCRIPTION
1	1	33960U	KIT FOR SIDE H75 BOARDPROFILE/2 BARS UPROFILE/UPROFILE
1.1	LBM	7910406	33.7 X 2.60 PIPE GALVANIZED SPEC. LENGTH
1.2	LBM	7910102	BOARD PROFILE 35X500 MM SPEC. LENGTH
1.3	2	H4583R	UPROFILE H753 1,5 MM
1.4	2	30006	PLUG PANEL TOP 2 TOP PIPES
1.5	2	30013	PLUG PANEL BOTTOM 50 CM/75 CM PANEL
1.6	12	39106020	CONNECTION SCREW M6X20 STAINLESS TORX 30
1.7	12	39206037	SPLICING SLEEVE M6X37 STAINLESS TORX 30

UNASSEMBLED FOR CLEAN-O-FLEX 750 COMBI 2 BARS/BOARDPROFILE

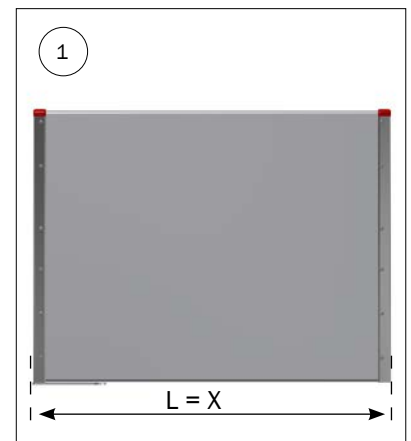
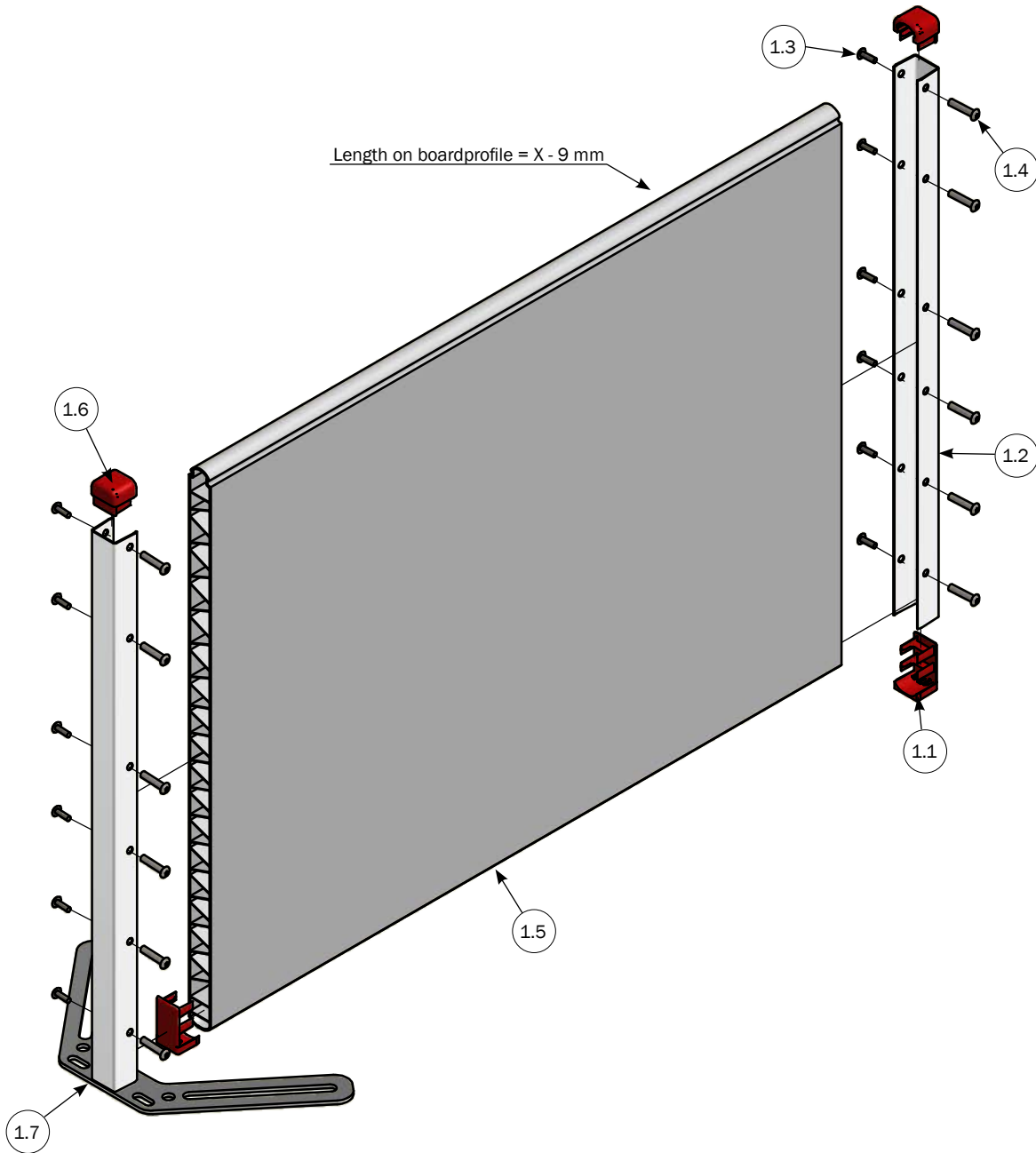


PARTS LIST

No.	PCS.	ITEM NO.	DESCRIPTION
1	1	33641U	KIT FOR SIDE H75 COMBI BOARDPROFILE/BARS UPROFILE/UPROFILE
1.1	1	30006	PLUG PANEL TOP 2 TOP PIPES
1.2	LBM	7910102	PLANKE 35X500 MM SPEC. LÆNGDE
1.3	LBM	7910406	33,7 X 2,60 RØR GALVANISERET LBM
1.4	2	H4583R	UPROFILE H753 1,5 MM
1.5	17	39106020	CONNECTION SCREW M6X20 STAINLESS TORX 30
1.6	17	39206037	SPLICING SLEEVE M6X37 STAINLESS TORX 30
1.7	1	8500402	PLUG PANEL COMBI 2 PIPES
1.8	LBM	7910099	BOARD PROFILE 35X250 MM SPEC. LENGTH
1.9	1	30001	PLUG PANEL TOP
1.10	2	30013	PLUG PANEL BOTTOM 50 CM/75 CM PANEL



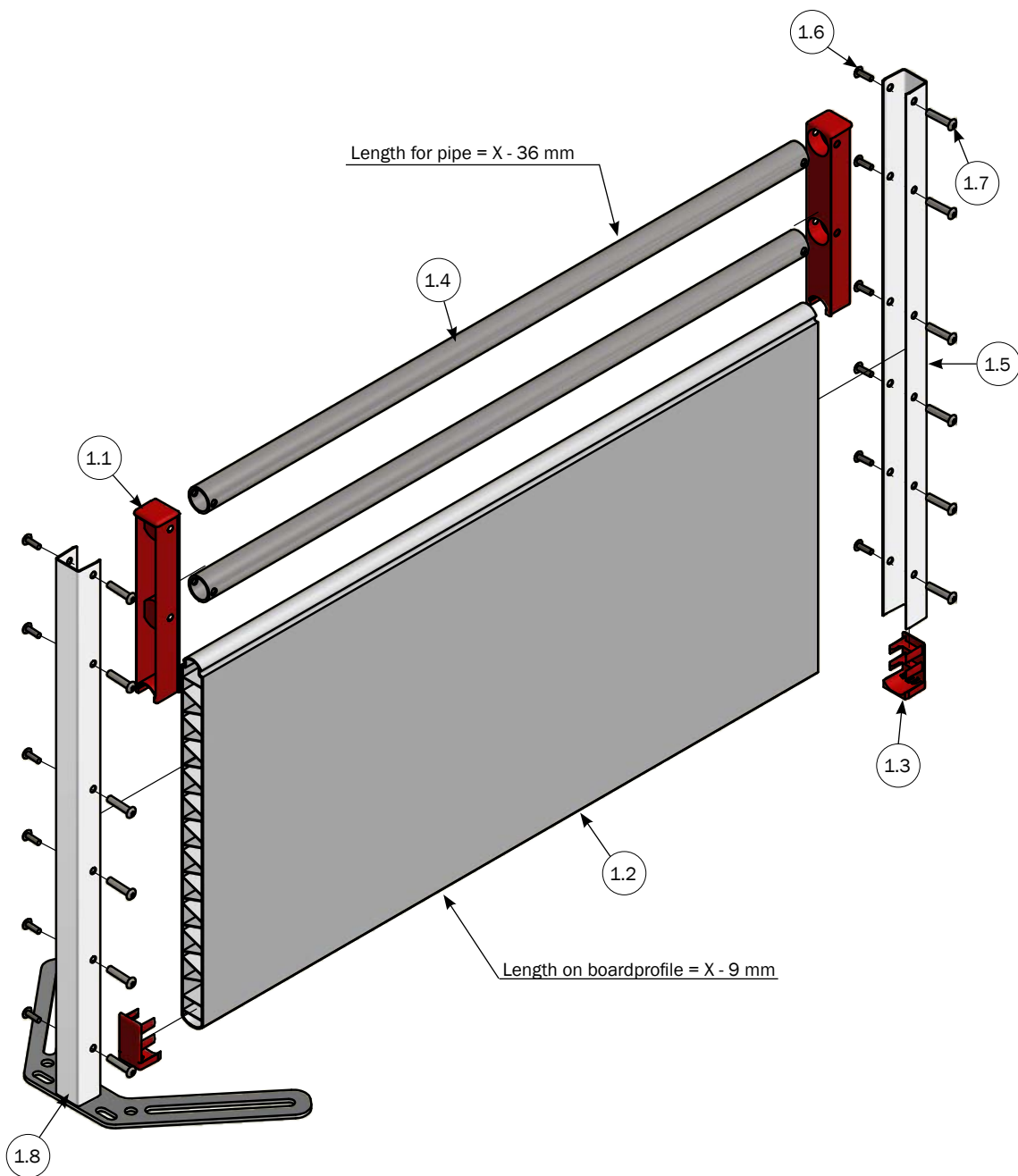
UNASSEMBLED PARTITION FOR CLEAN-O-FLEX 750 BOARDPROFILE



PARTS LIST

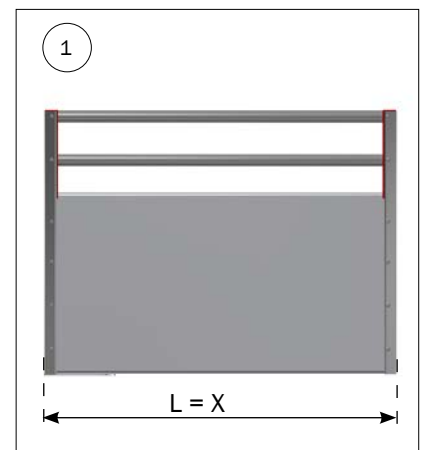
NO.	PCS.	ITEM NO.	DESCRIPTION
1	1	3210009U	KIT FOR SIDE H75 BOARDPROFILE POST/UPROFILE
1.1	2	30013	PLUG PANEL BOTTOM 50 CM/75 CM PANEL
1.2	1	H4583R	UPROFILE H753 1,5 MM
1.3	12	39106020	CONNECTION SCREW M6X20 STAINLESS TORX 30
1.4	12	39206037	SPLICING SLEEVE M6X37 STAINLESS TORX 30
1.5	LBM	7910105	BOARD PROFILE 35X750 MM SPEC. LENGTH
1.6	2	30001	PLUG PANEL TOP
1.7	1	3250101	POST FOR CLEAN-O-FLEX H750 H

UNASSEMBLED PARTITION FOR CLEAN-O-FLEX 750 2 BARS/BOARDPROFILE

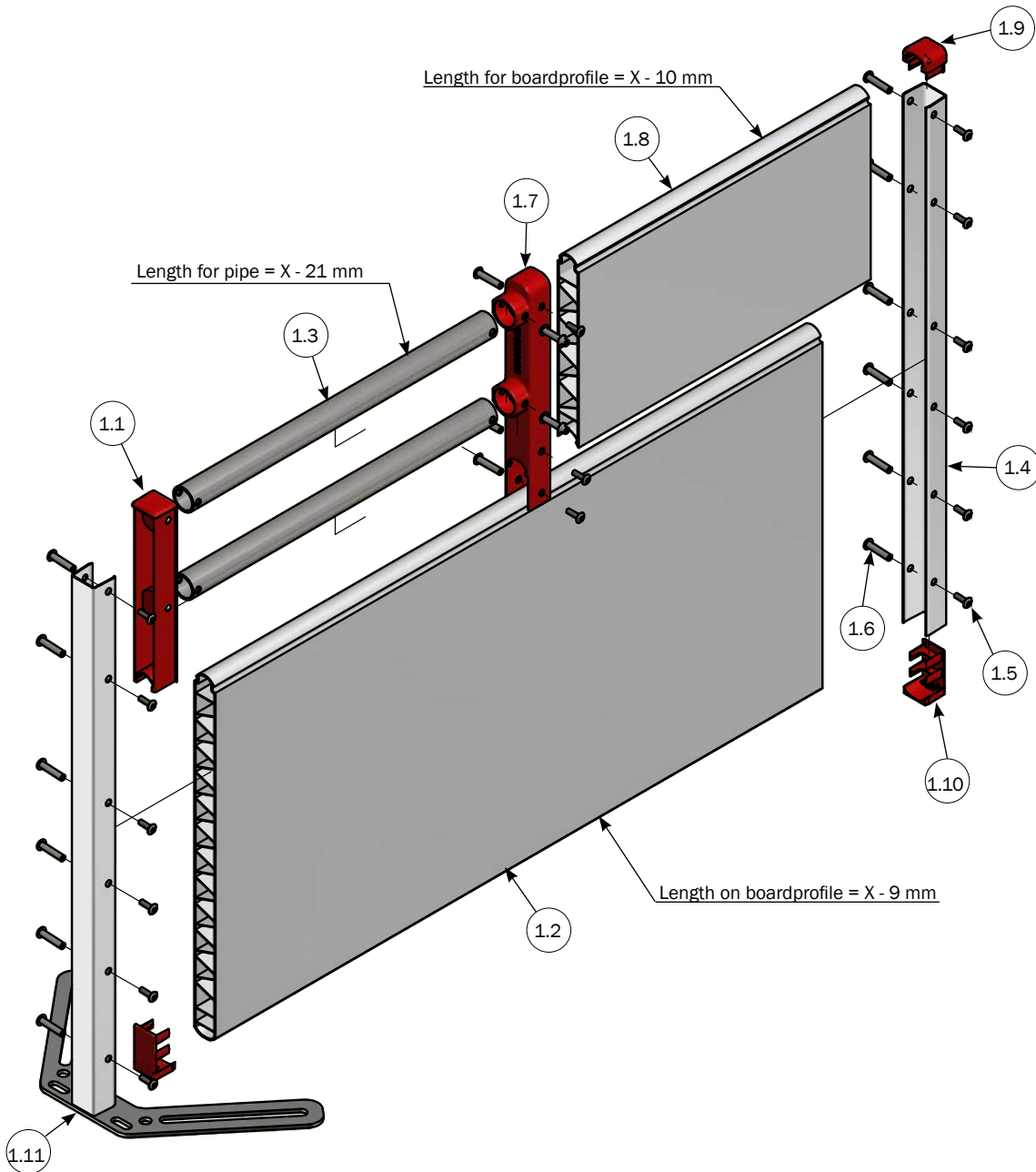


PARTS LIST

NO.	PCS.	ITEM NO.	DESCRIPTION
1	1	3210007U	KIT FOR SIDE H75 BOARDPROFILE/2 BARS POST/UPROFILE
1.1	2	30006	PLUG PANEL TOP 2 TOP PIPES
1.2	LBM	7910102	BOARD PROFILE 35X500 MM SPEC. LENGTH
1.3	2	30013	PLUG PANEL BOTTOM 50 CM/75 CM PANEL
1.4	LBM	7910406	33.7 X 2.60 PIPE GALVANIZED SPEC. LENGTH
1.5	1	H4583R	UPROFILE H753 1,5 MM
1.6	12	39106020	CONNECTION SCREW M6X20 STAINLESS TORX 30
1.7	12	39206037	SPLICING SLEEVE M6X37 STAINLESS TORX 30
1.8	1	3250101	POST FOR CLEAN-O-FLEX H750 H

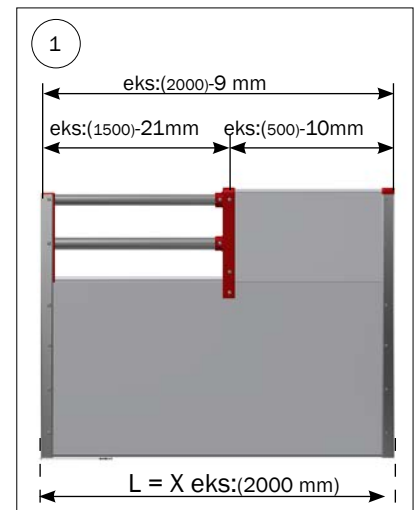


UNASSEMBLED PARTITION FOR CLEAN-O-FLEX 750 COMBI BOARDPROFILE/2 BARS

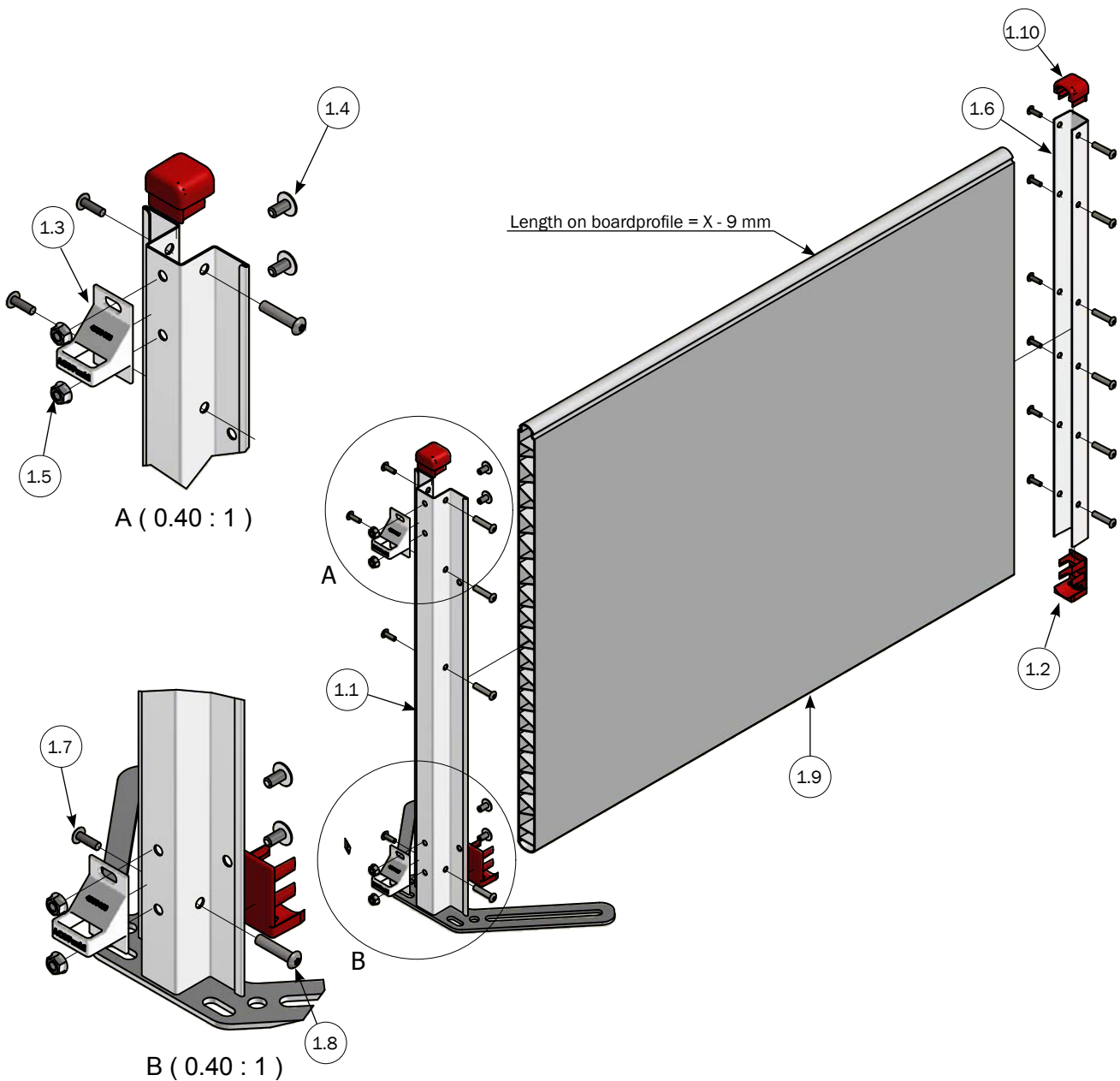


PARTS LIST

No.	PCS.	ITEM NO.	DESCRIPTION
1	1	3210014U	KIT FOR SIDE H75 COMBI BOARDPROFILE/BARS UPROFILE/UPROFILE
1.1	1	30006	PLUG PANEL TOP 2 TOP PIPES
1.2	LBM	7910102	BOARD PROFILE 35X500 MM SPEC. LENGTH
1.3	LBM	7910406	33.7 X 2.60 PIPE GALVANIZED SPEC. LENGTH
1.4	1	H4583R	UPROFILE H753 1,5 MM
1.5	17	39106020	CONNECTION SCREW M6X20 STAINLESS TORX 30
1.6	17	39206037	SPLICING SLEEVE M6X37 STAINLESS TORX 30
1.7	1	8500402	PLUG PANEL COMBI 2 PIPES
1.8	LBM	7910099	BOARD PROFILE 35X250 MM SPEC. LENGTH
1.9	1	30001	PLUG PANEL TOP
1.10	2	30013	PLUG PANEL BOTTOM 50 CM/75 CM BOARDPROFILE
1.11	1	3250101	POST FOR CLEAN-O-FLEX H750 H

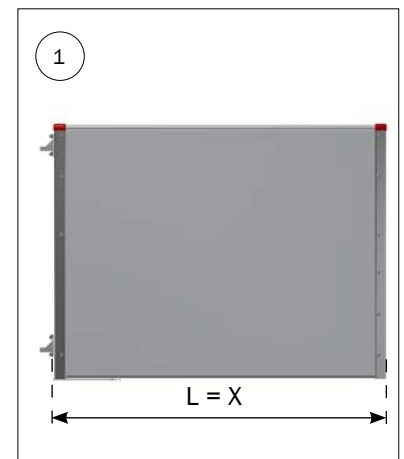


UNASSEMBLED PARTITION FOR GATE FULL PEN CLEAN-O-FLEX 750 BOARDPROFILE

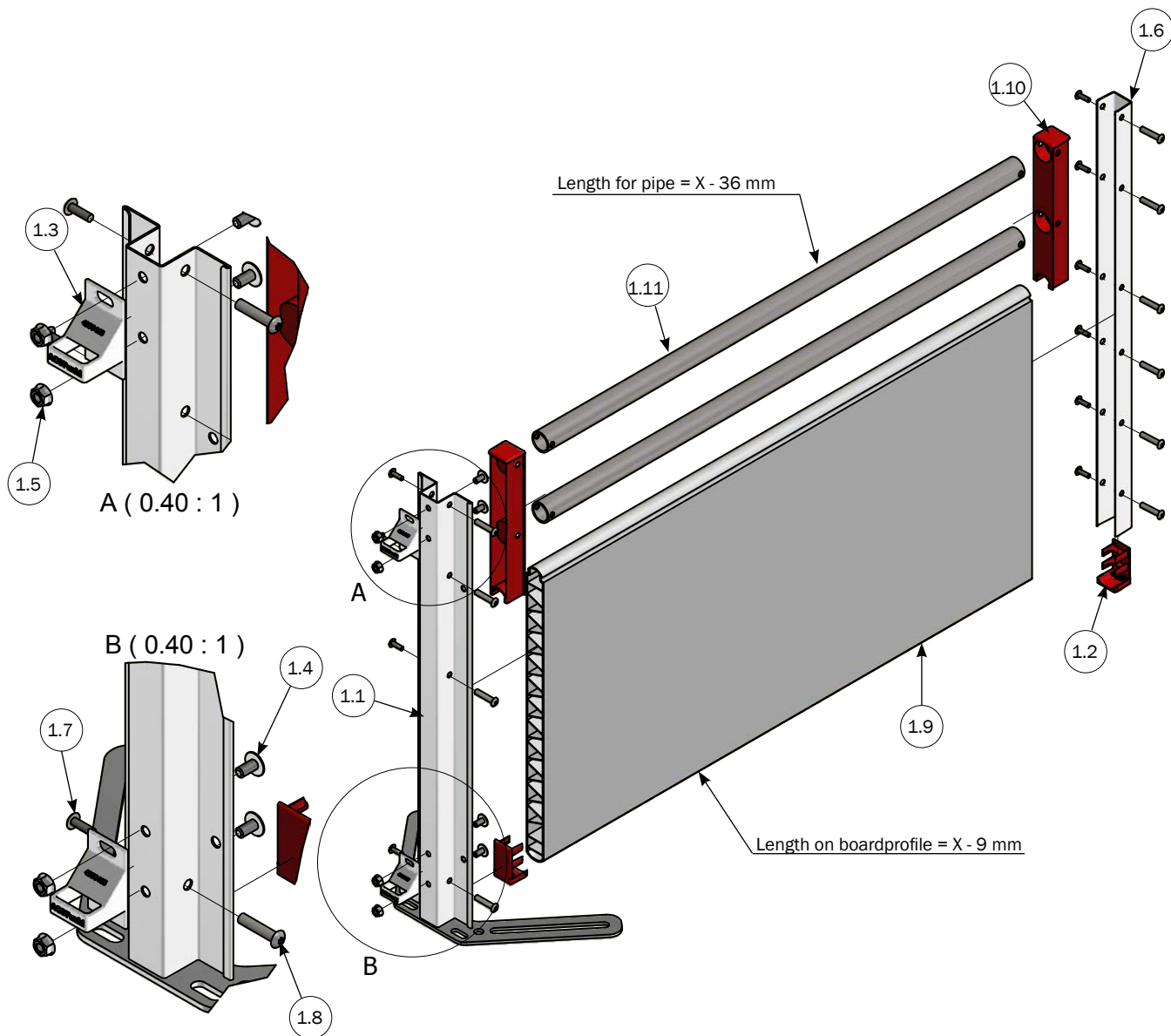


PARTS LIST

NO.	PCS.	ITEM NO.	DESCRIPTION
1	1	3210008U	KIT SIDE H75 BOARDPROFILE OMEGA POST/UPROFILE FOR GATE FULL PEN
1.1	1	3150313	HAT POST STAINLESS STEEL WITHWELDED FOUNDATION
1.2	2	30013	PLUG PANEL BOTTOM 50 CM/75 CM PANEL
1.3	2	4950463	HINGER FOR Y-OR U-PROFILE STAINLESS STEEL
1.4	4	67323	8 X 16 SCREW SS FRH
1.5	4	68552	M8 FLANGE NUT DIN 6923 A2
1.6	1	H4583R	UPROFILE H753 1,5 MM
1.7	10	39106020	CONNECTION SCREW M6X20 STAINLESS TORX 30
1.8	10	39206037	SPLICING SLEEVE M6X37 STAINLESS TORX 30
1.9	LBM	7910105	BOARD PROFILE 35X750 MM SPEC. LENGTH
1.10	2	30001	PLUG PANEL TOP

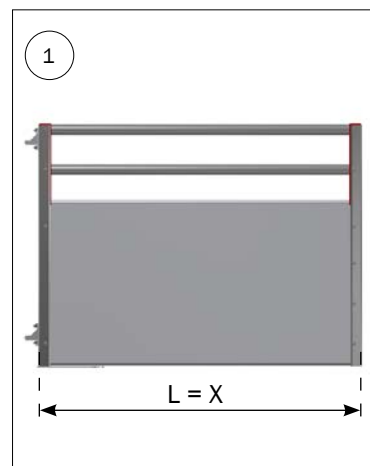


UNASSEMBLED PARTITION FOR GATE FULL PEN CLEAN-O-FLEX 750 2 BARS/BOARDPROFILE

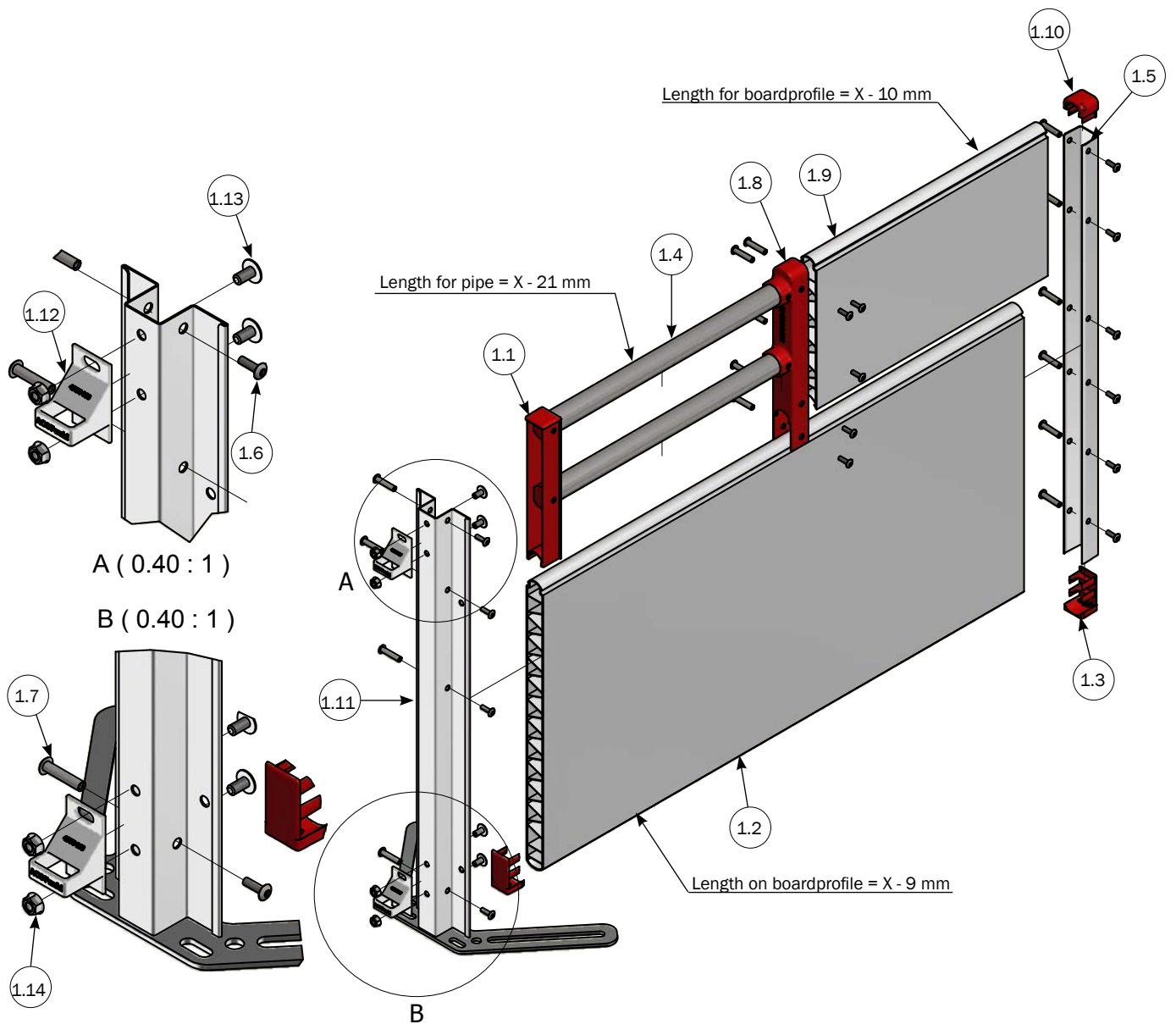


PARTS LIST

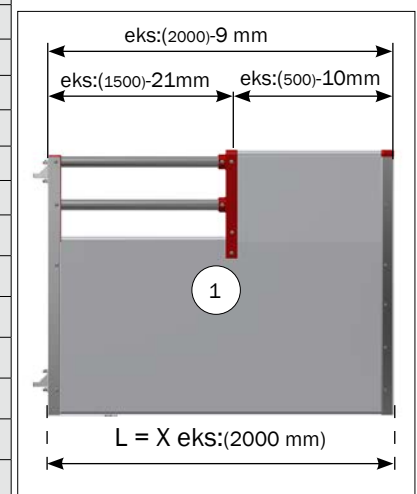
NO.	PCS.	ITEM NO.	DESCRIPTION
1	1	3210006U	KIT SIDE H75 BOARDPROFILE/BARS OMEGA POST/UPROFILE FOR GATE FULL PEN
1.1	1	3150313	HAT POST STAINLESS STEEL WITHWELDED FOUNDATION
1.2	2	30013	PLUG PANEL BOTTOM 50 CM/75 CM PANEL
1.3	2	4950463	HINGER FOR Y-OR U-PROFILE STAINLESS STEEL
1.4	4	67323	8 X 16 SCREW SS FRH
1.5	4	68552	M8 FLANGE NUT DIN 6923 A2
1.6	1	H4583R	UPROFILE H753 1,5 MM
1.7	10	39106020	CONNECTION SCREW M6X20 STAINLESS TORX 30
1.8	10	39206037	SPLICING SLEEVE M6X37 STAINLESS TORX 30
1.9	LBM	7910105	BOARD PROFILE 35X750 MM SPEC. LENGTH
1.10	2	30006	PLUG PANEL TOP 2 TOP PIPES
1.11	LBM	7910406	33.7 X 2.60 PIPE GALVANIZED SPEC. LENGTH



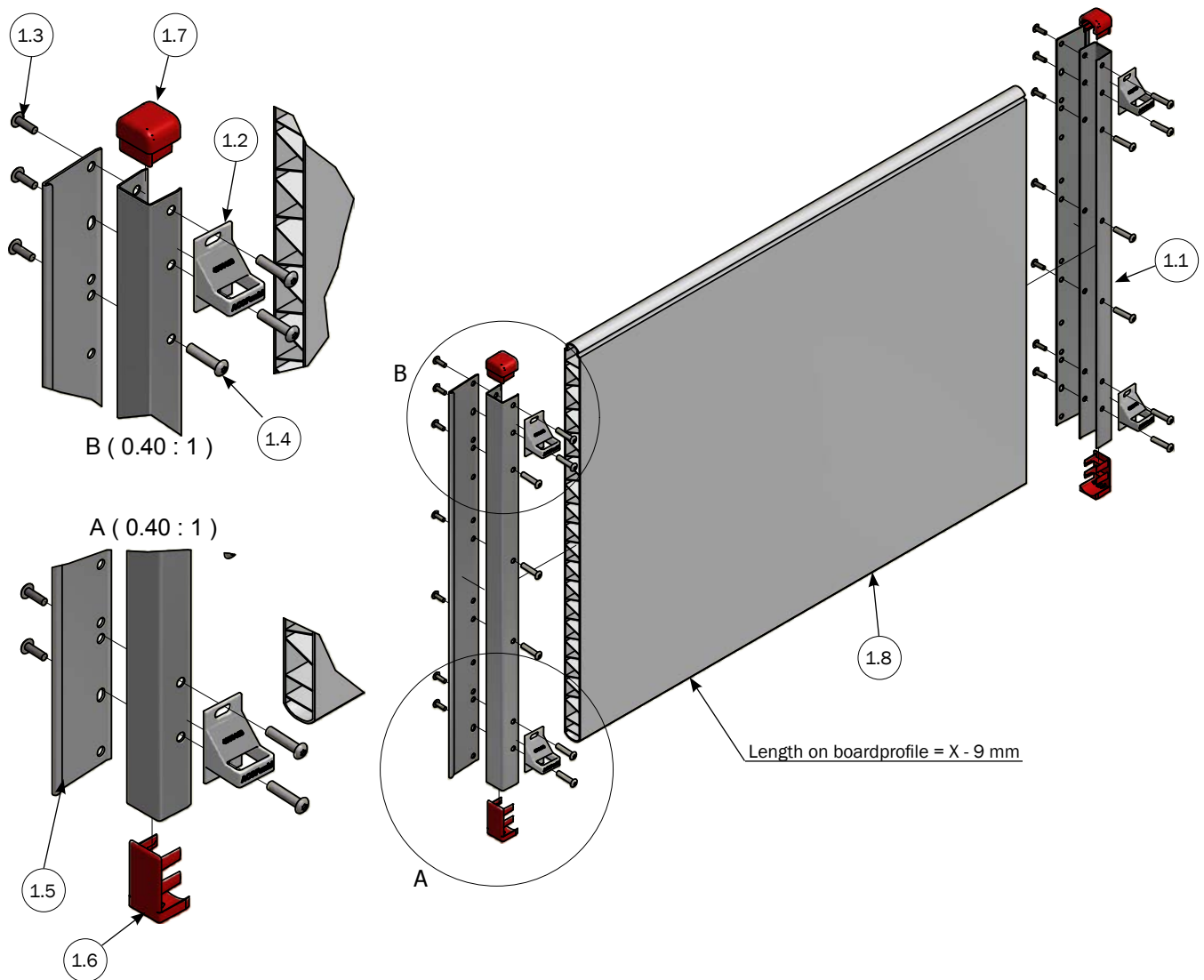
UNASSEMBLED PARTITION FOR GATE FULL PEN CLEAN-O-FLEX 750 COMBI 2 BARS/BOARDPROFILE



PARTS LIST			
No.	PCS.	ITEM NO.	DESCRIPTION
1	1	3210015U	KIT FOR SIDE H75 COMBI BOARDPROFILE/BARS OMEGA POST/UPROFILE FOR GATE FULL PEN
1.1	1	30006	PLUG PANEL TOP 2 TOP PIPES
1.2	LBM	7910102	BOARD PROFILE 35X500 MM SPEC. LENGTH
1.3	2	30013	PLUG PANEL BOTTOM 50 CM/75 CM PANEL
1.4	LBM	7910406	33.7 X 2.60 PIPE GALVANIZED SPEC. LENGTH
1.5	1	H4583R	UPROFILE H753 1,5 MM
1.6	15	39106020	CONNECTION SCREW M6X20 STAINLESS TORX 30
1.7	15	39206037	SPLICING SLEEVE M6X37 STAINLESS TORX 30
1.8	1	8500402	PLUG PANEL COMBI 2 PIPES
1.9	LBM	7910099	BOARD PROFILE 35X250 MM SPEC. LENGTH
1.10	1	30001	PLUG PANEL TOP
1.11	1	3150313	HAT POST STAINLESS STEEL WITH WELDED FOUNDATION
1.12	2	4950463	HINGER FOR Y-OR U-PROFILE STAINLESS STEEL
1.13	4	67323	8 X 16 SCREW SS FRH
1.14	4	68552	M8 FLANGE NUT DIN 6923 A2

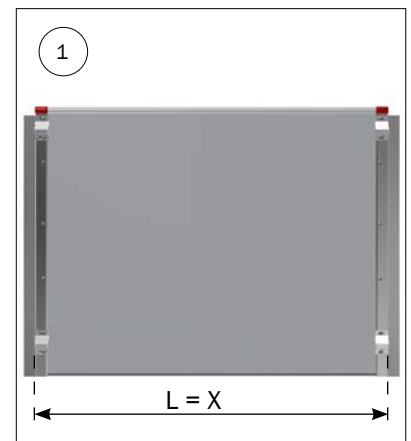


UNASSEMBLED FRONT PART FOR GATE FULL PEN CLEAN-O-FLEX 750 BOARDPROFILE

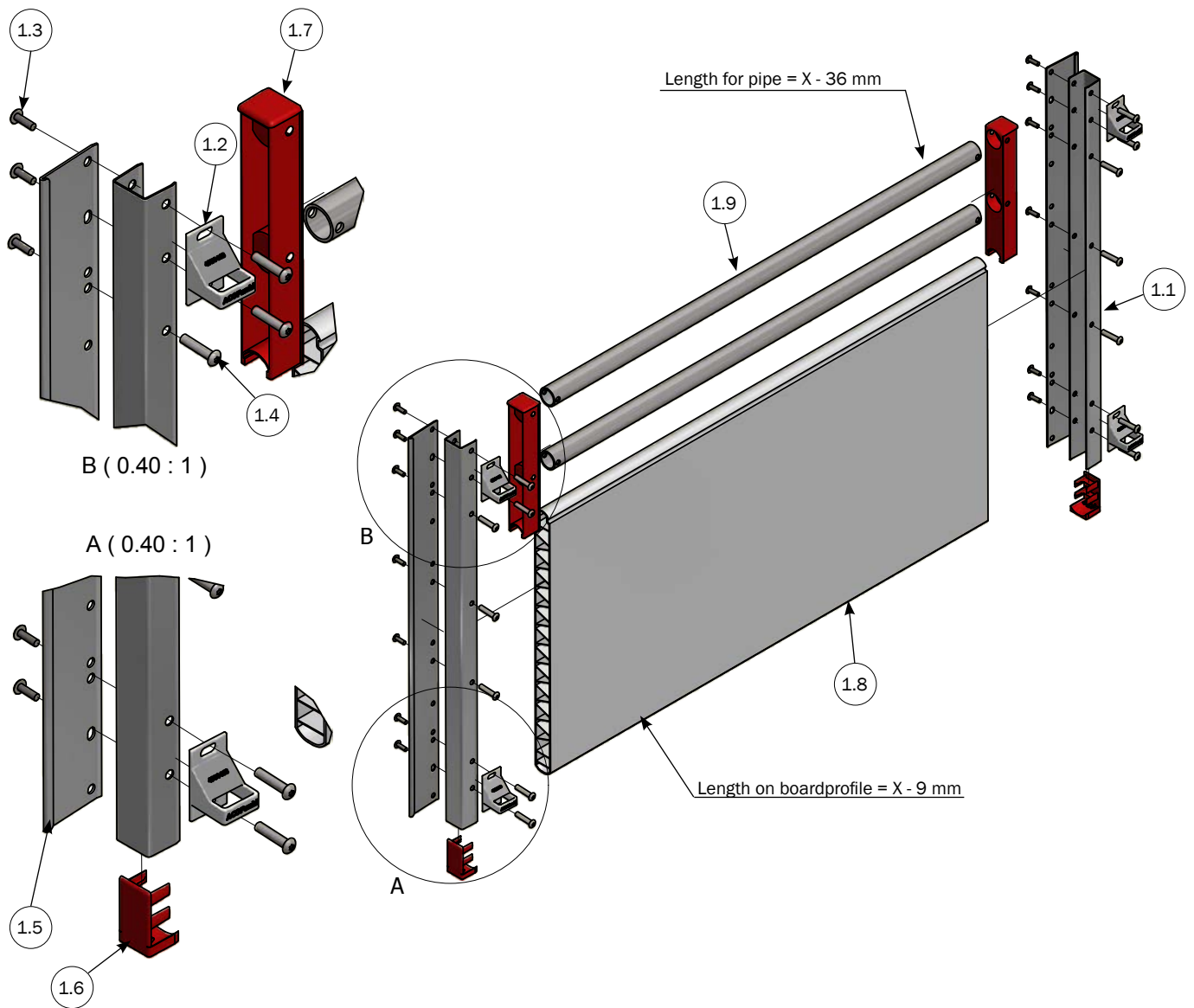


PARTS LIST

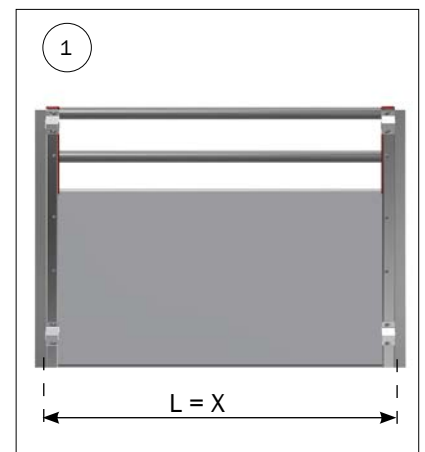
NO.	PCS.	ITEM NO.	DESCRIPTION
1	1	3210025U	KIT FOR FRONT PART H75 BOARDPROFILE FOR GATE FULL PEN
1.1	2	3050175	UPROFILE 753 MM FOR GATE CLEAN-O-FLEX
1.2	4	4950463	HINGER FOR Y-OR U-PROFILE STAINLESS STEEL
1.3	14	39106020	CONNECTION SCREW M6X20 STAINLESS TORX 30
1.4	14	39206037	SPLICING SLEEVE M6X37 STAINLESS TORX 30
1.5	2	8450541	PLATE FOR FRONTPARTITION
1.6	2	30013	PLUG PANEL BOTTOM 50 CM/75 CM PANEL
1.7	2	30001	PLUG PANEL TOP
1.8	LBM	7910105	BOARD PROFILE 35X750 MM SPEC. LENGTH



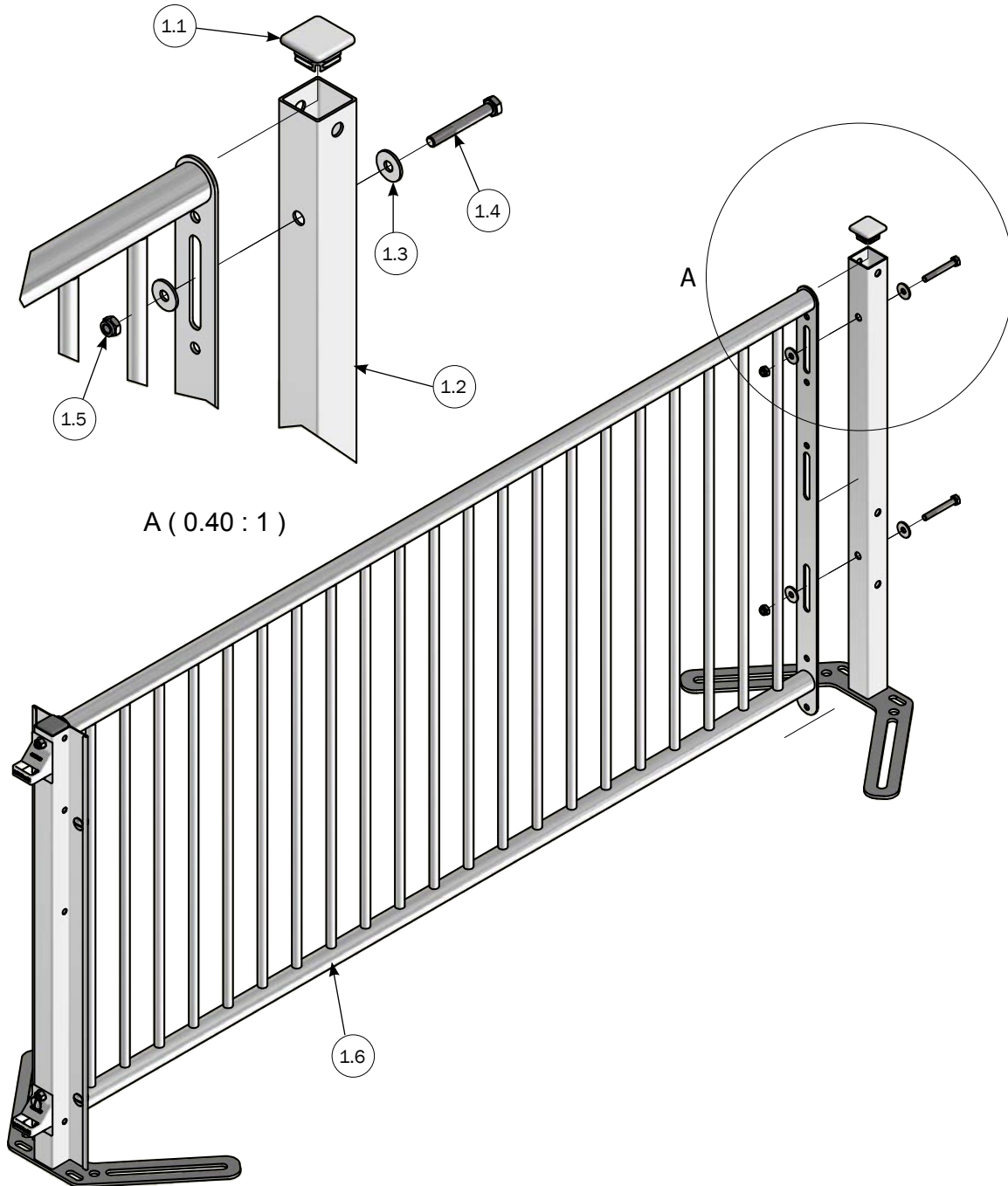
UNASSEMBLED FRONT PART FOR GATE FULL PEN CLEAN-O-FLEX 750 2 BARS/BOARDPROFILE



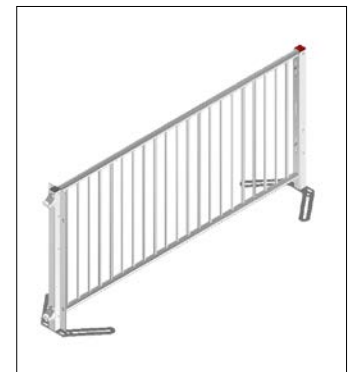
PARTS LIST			
NO.	PCS.	ITEM NO.	DESCRIPTION
1	1	3210026U	KIT FOR FRONT PART H75 BOARDPROFILE/BARS FOR GATE FULL PEN
1.1	2	3050175	UPROFILE 753 MM FOR GATE CLEAN-O-FLEX
1.2	4	4950463	HINGER FOR Y-OR U-PROFILE STAINLESS STEEL
1.3	14	39106020	CONNECTION SCREW M6X20 STAINLESS TORX 30
1.4	14	39206037	SPLICING SLEEVE M6X37 STAINLESS TORX 30
1.5	2	8450541	PLATE FOR FRONTPARTITION
1.6	2	30013	PLUG PANEL BOTTOM 50 CM/75 CM PANEL
1.7	2	30006	PLUG PANEL TOP 2 TOP PIPES
1.8	LBM	7910102	BOARD PROFILE 35X500 MM SPEC. LENGTH
1.9	LBM	7910406	33.7 X 2.60 PIPE GALVANIZED SPEC. LENGTH



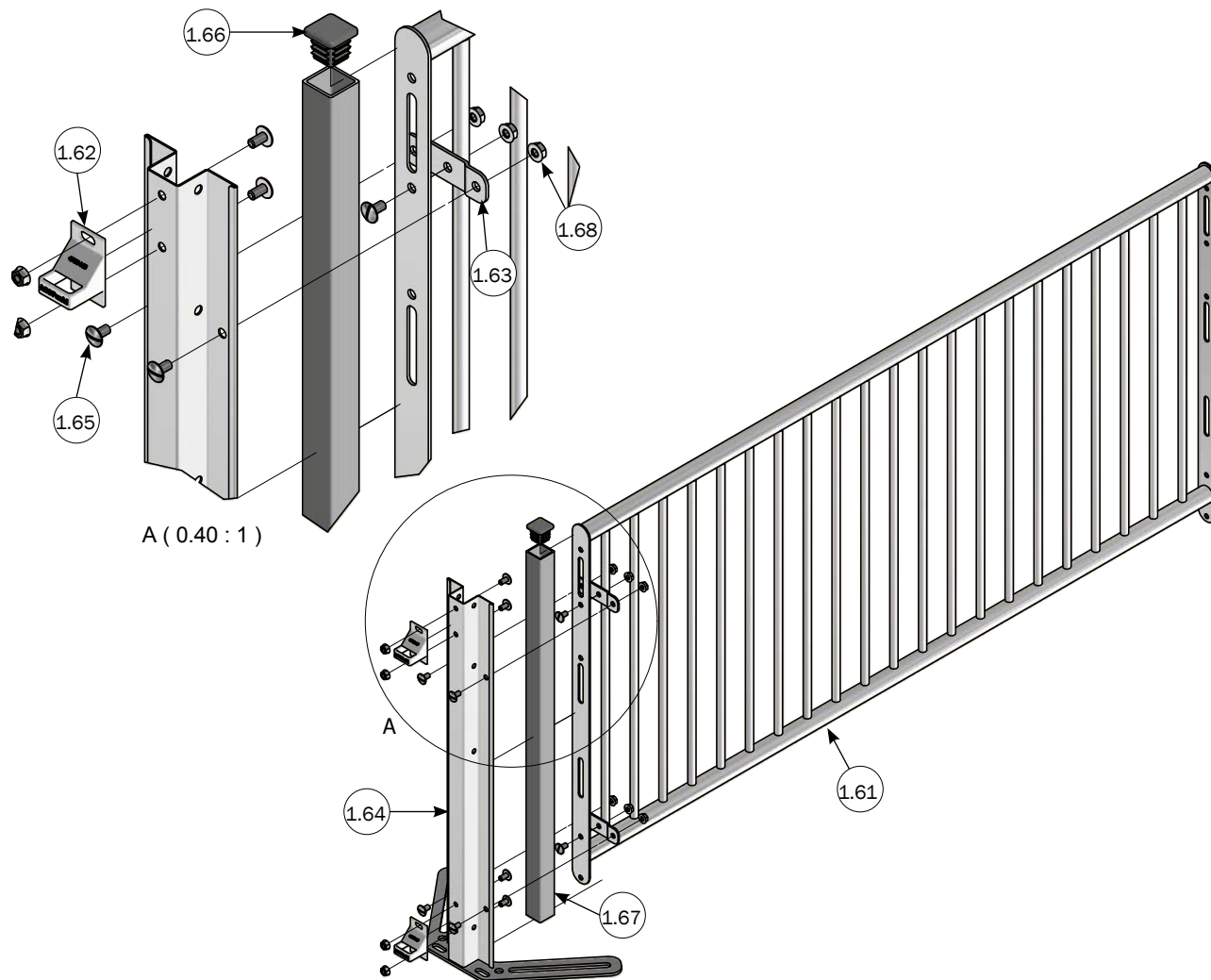
GRILLE FOR GATE FULL PEN 750 1040-1540 MM



NO.	PCS.	ITEM NO.	DESCRIPTION
		3200204	GRILLE FOR CLEAN-O-FLEX H750/1076 HINGER/POST
		3200226	GRILLE FOR CLEAN-O-FLEX H750/1296 HINGER/POST
1	1	3200254	GRILLE FOR CLEAN-O-FLEX H750/1576 HINGER/POST
1.1	1	30085	TOP CAP 40X40X2
1.2	1	3050055	POST FOR GRILLE H:750
1.3	4	35600058	NUT WASHER Ø8X8,4/24/2 A2 DIN9021
1.4	2	33908001	LOCK NUT M8 A2 DIN 985
1.5	2	32508060	MACHINE SCREW M8X60 A2 DIN 931
1.6	1	3210254	STAINLESS STEEL CONTACT GRILLE H:750 L:1536 WITH HINGER
		3210226	STAINLESS STEEL CONTACT GRILLE H:750 L:1256 WITH HINGER
		3210204	STAINLESS STEEL CONTACT GRILLE H:750 L:1036 WITH HINGER



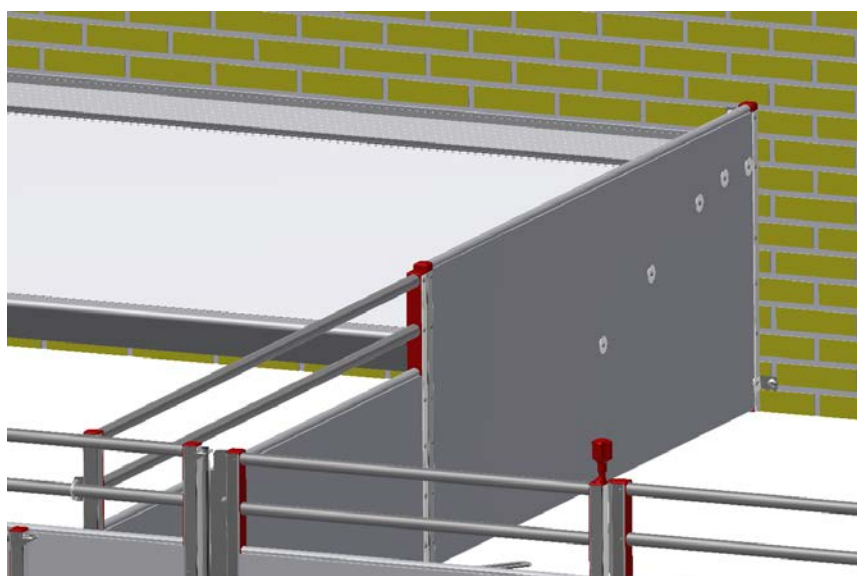
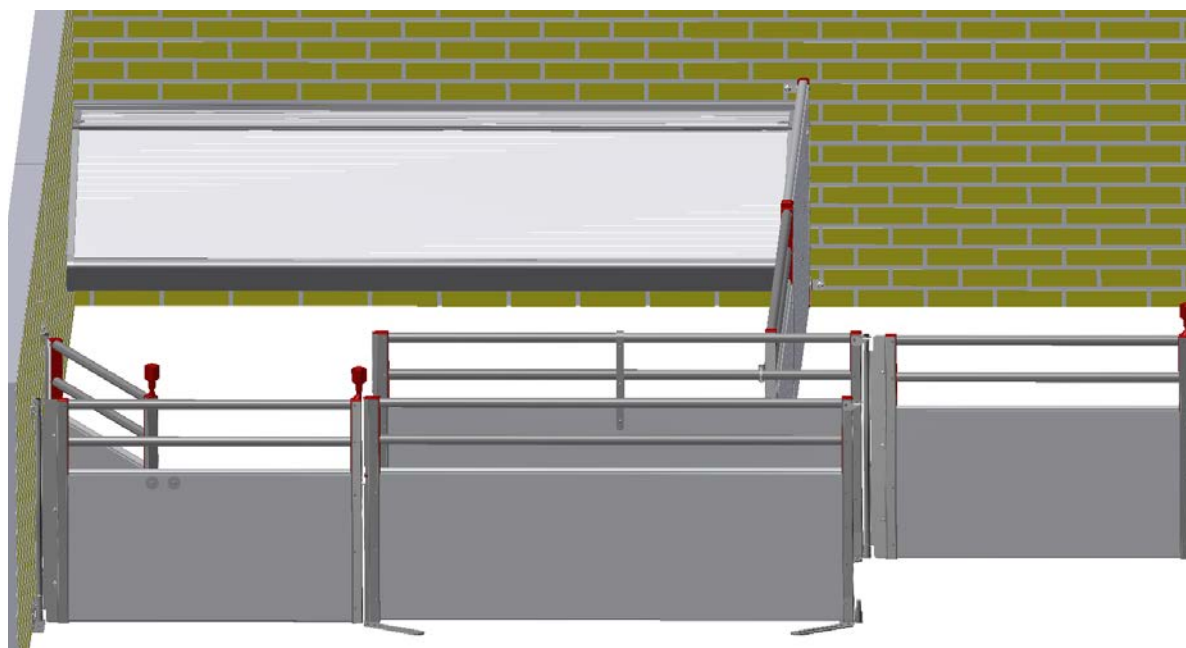
GRILLE FOR GATE FULL PEN 750 1040-1540 MM



NO.	ITEM NO.	DESCRIPTION
	3210204	STAINLESS STEEL CONTACT GRILLE H:750 L:1036 WITH HINGER
	3210226	STAINLESS STEEL CONTACT GRILLE H:750 L:1256 WITH HINGEN
1.6	3210254	STAINLESS STEEL CONTACT GRILLE H:750 L:1536 WITH HINGER
1.61	3150875	STAINLESS STEEL CONTACTGRILLE H:750 L:1500
1.62	4950463	HINGER FOR Y-OR U-PROFILE STAINLESS STEEL
1.63	8450536	GRILLE BRACKET
1.64	3150313	HAT POST STAINLESS STEEL WITHWELDED FOUNDATION
1.65	67323	8 X 16 SCREW SS FRH
1.66	9960009	CAP 35 X 35 X 2
1.67	8500096	35X35 PROFILE H752
1.68	68552	M8 FLANGE NUT DIN 6923 A2



FLEX COVER



For mounting of flexcover look at : Mounting instruction for flex cover
"M-6188"