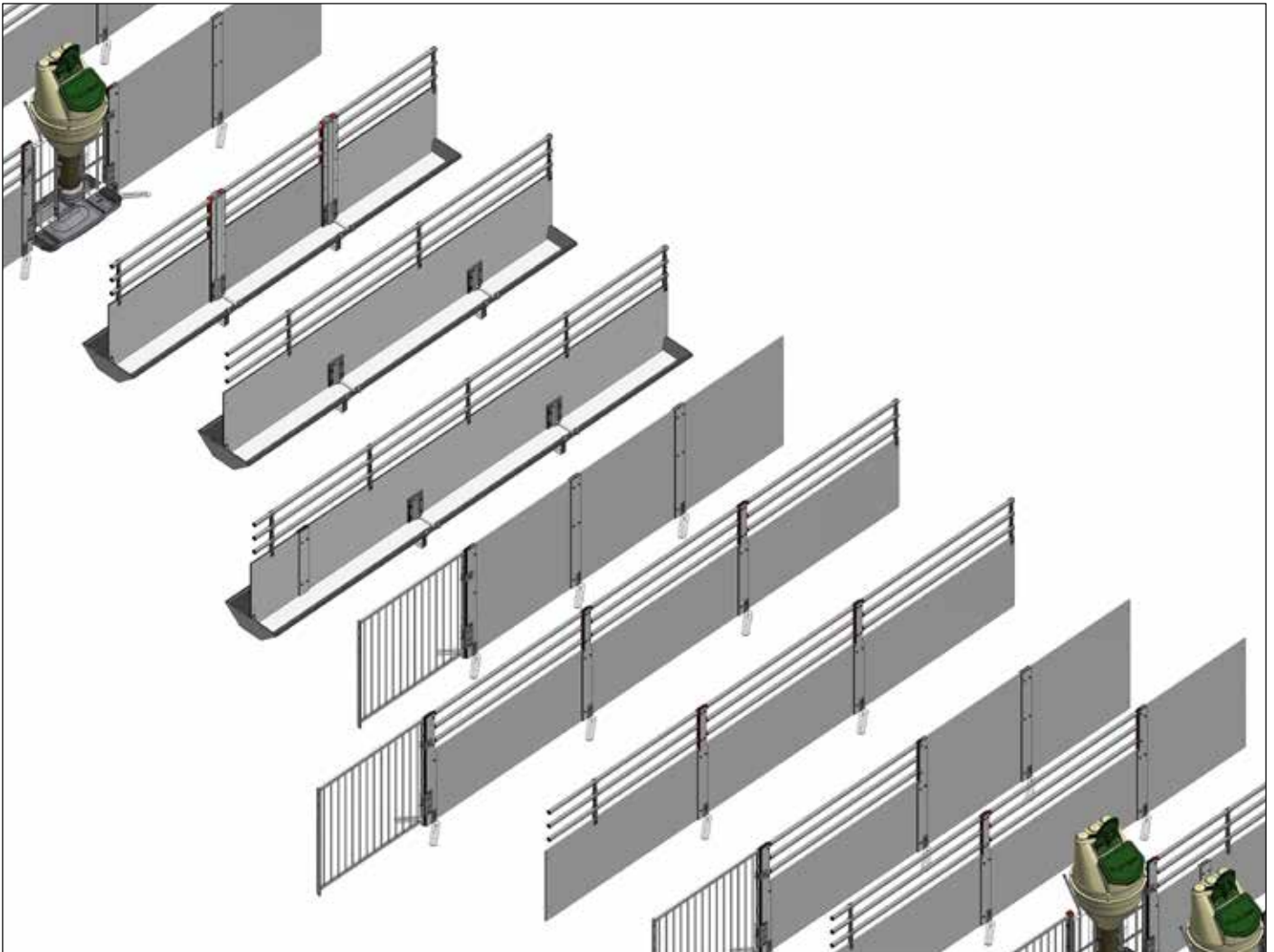


MOUNTING INSTRUCTION



FUNKI FIBER 870 / 995 mm

NOTE! Rules and dimensions are exemplified with illustrations and item numbers for 995 mm. The same rules and dimensions apply to 870 mm.



ACO FUNKI A/S
Kirkevænget 5
DK-7400 Herning

Tel. +45 9711 9600
www.acofunki.com
www.egebjerg.com

Fiber_870_995

NOTE:

- Plate length: max 4100 mm
(The plate length should be near 4100 mm to avoid waste)
- Distance between foundation sets: max 1500 mm
(If the distance exceeds 1500 mm, a support foundation is mounted)
- Grille against feeder: see Table 1 below

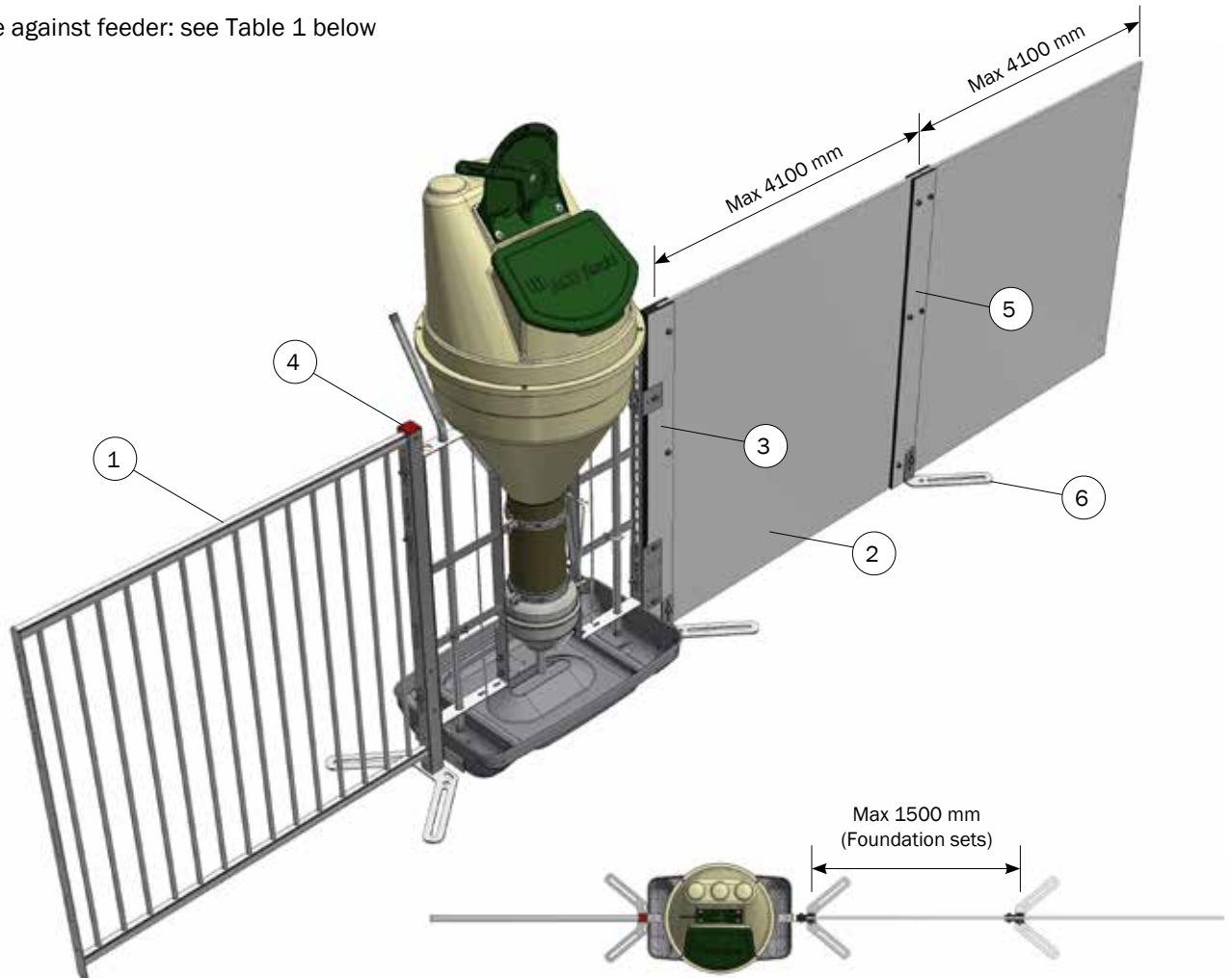


TABLE 1 - GRILLE AGAINST FEEDER

| Højde, mm | L = 1040 mm | L = 1260 mm | L = 1540 mm |
|-----------|-------------|-------------|-------------|
| 995 | 4200104 | 4200126 | 4200154 |
| 870 | 4400104 | 4400126 | 4400154 |
| 745 | 3200104 | 3200126 | 3200154 |

BILL OF MATERIALS

| | Item no. | Description | Pcs. |
|---|----------------|---|------|
| | | <i>FIBER_870_995</i> | |
| 1 | 4200104 | GRILLE FOR CLEAN-O-FLEX 1000/1040 | 1 |
| 2 | 4660475-LENGTH | SIDE H100 PLATE | 2 |
| 3 | 4600442 | POST H100 PLATE FOR FEEDERS | 1 |
| 4 | 38524 | MOUNTING KIT FOR U-POST AGAINST FEEDERS | 1 |
| 5 | 4600433 | ASSEMBLY POST H100 | 1 |
| 6 | 4500655 | LOOSE FOUNDATION SET, LEFT AND RIGHT, FOR BOARD PROFILE | 2 |

Fiber_870_995

NOTE:

- Plate length: max 4100 mm
(The plate length should be near 4100 mm to avoid waste)
- Distance between foundation sets: max 1500 mm
(If the distance exceeds 1500 mm, a support foundation is mounted)
- Bar length: max 6000 mm
(Stiffening bracket per max 1400 mm)
- Grille against feeder: see Table 1 below

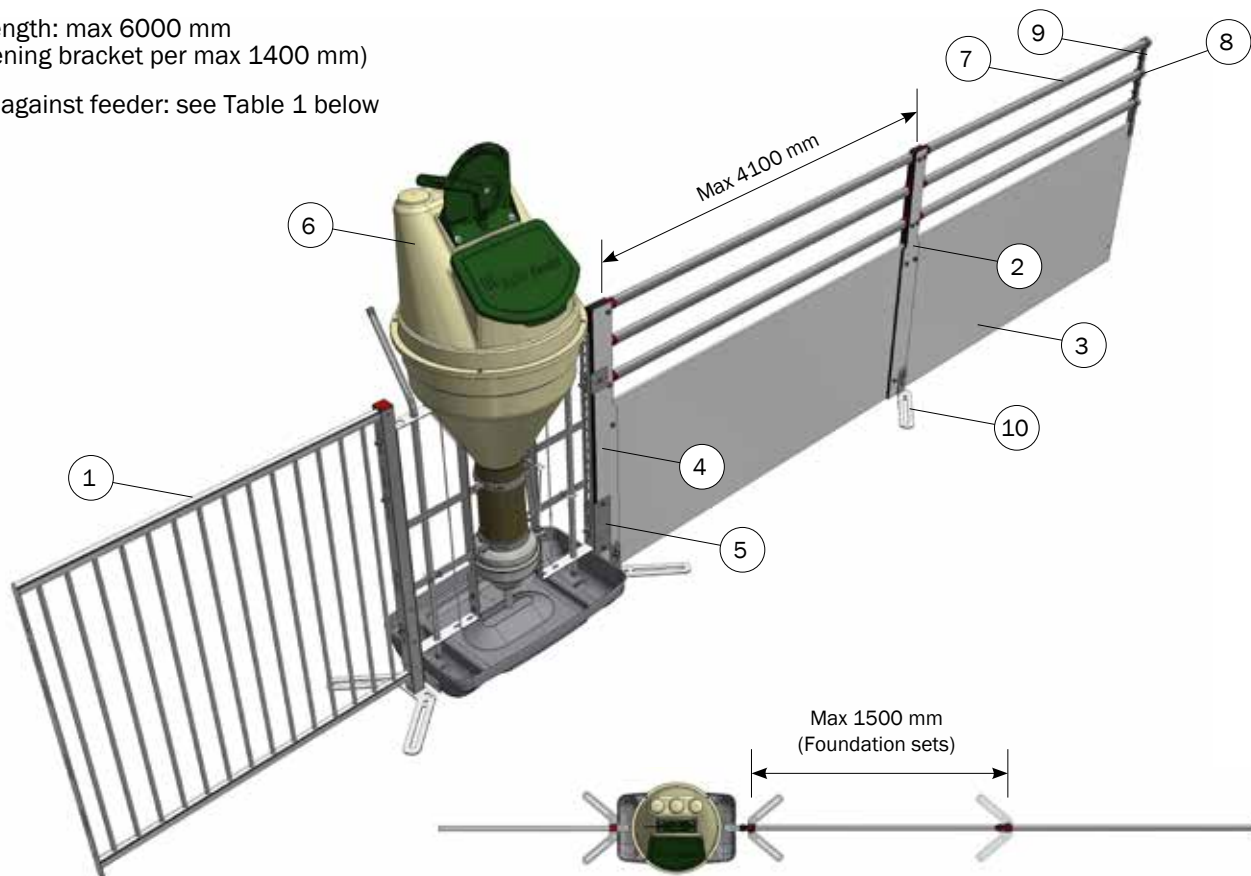


TABLE 1 - GRILLE AGAINST FEEDER

| Højde, mm | L = 1040 mm | L = 1260 mm | L = 1540 mm |
|-----------|-------------|-------------|-------------|
| 995 | 4200104 | 4200126 | 4200154 |
| 870 | 4400104 | 4400126 | 4400154 |
| 745 | 3200104 | 3200126 | 3200154 |

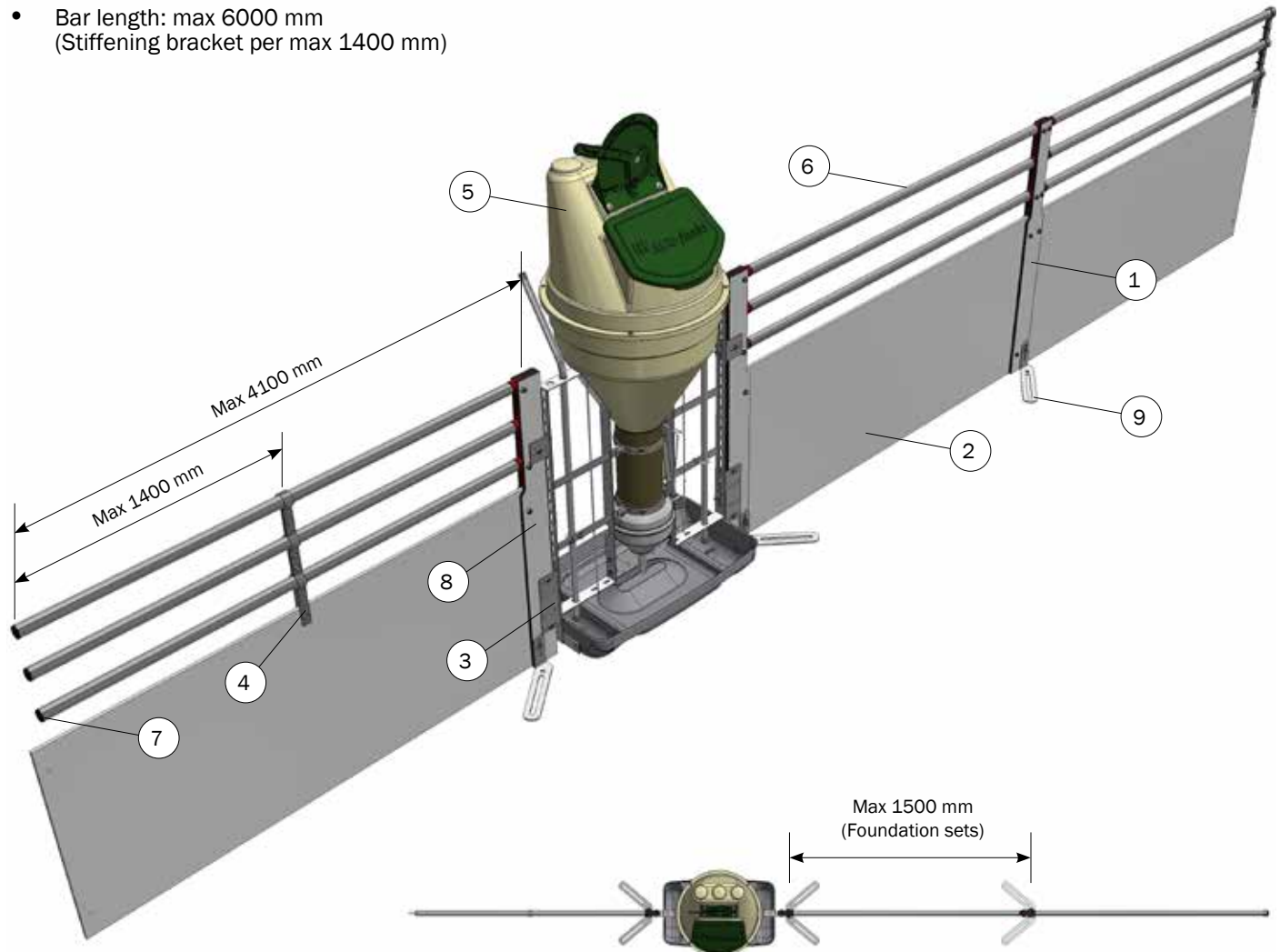
BILL OF MATERIALS

| | Item no. | Description | Pcs. |
|----|----------|---|------|
| | | <i>FIBER_870_995</i> | |
| 1 | 4200104 | GRILLE FOR CLEAN-O-FLEX 1000/1040 | 1 |
| 2 | 4600438 | POST KIT H100 PLATE/3 BARS | 1 |
| 3 | 4560647 | SIDE H64,2 PLATE MAX. LENGTH 4100 MM | 2 |
| 4 | 4600445 | POST H100 PLATE FOR 3 BARS/FEEDERS | 1 |
| 5 | 38524 | MOUNTING KIT FOR U-POST AGAINST FEEDERS | 1 |
| 6 | 560710M | FUNKIMAT WEANER WITH STAINLESS STEEL TROUGH (FLAT-FLAT) | 1 |
| 7 | 4610410 | 3 BARS 1' GALVANIZED, PRICE PER METER | 2 |
| 8 | 4500653 | 3 ROUND CAP BLACK (1' PIPE) | 1 |
| 9 | 38944 | 1 PCS. STIFFENING BRACKET SET FOR 3 BARS ON PLATE | 1 |
| 10 | 4500655 | LOOSE FOUNDATION SET, LEFT AND RIGHT, FOR BOARD PROFILE | 2 |

Fiber_870_995

NOTE:

- Plate length: max 4100 mm
(The plate length should be near 4100 mm to avoid waste)
- Distance between foundation sets: max 1500 mm
(If the distance exceeds 1500 mm, a support foundation is mounted)
- Bar length: max 6000 mm
(Stiffening bracket per max 1400 mm)



BILL OF MATERIALS

| | Item no. | Description | Pcs. |
|---|----------|---|------|
| | | <i>FIBER_870_995</i> | |
| 1 | 4600438 | POST KIT H100 PLATE/3 BARS | 1 |
| 2 | 4560647 | SIDE H64,2 PLATE MAX. LENGTH 4100 MM | 3 |
| 3 | 38524 | MOUNTING KIT FOR U-POST AGAINST FEEDERS | 2 |
| 4 | 4600482 | 2 PCS STIFFENING BRACKET SET FOR 3 BARS ON PLATE | 1 |
| 5 | 560710M | FUNKIMAT WEANER WITH STAINLESS STEEL TROUGH (FLAT-FLAT) | 1 |
| 6 | 4610410 | 3 BARS 1' GALVANIZED, PRICE PER METER | 3 |
| 7 | 4500653 | 3 ROUND CAP BLACK (1' PIPE) | 2 |
| 8 | 4600445 | POST H100 PLATE FOR 3 BARS/FEEDERS | 2 |
| 9 | 4500655 | LOOSE FOUNDATION SET, LEFT AND RIGHT, FOR BOARD PROFILE | 3 |

Fiber_870_995

NOTE:

- Plate length: max 4100 mm
(The plate length should be near 4100 mm to avoid waste)
- Distance between foundation sets: max 1500 mm
(If the distance exceeds 1500 mm, a support foundation is mounted)
- Bar length: max 6000 mm
(Stiffening bracket per max 1400 mm)
- Grille against feeder: see Table 1 below

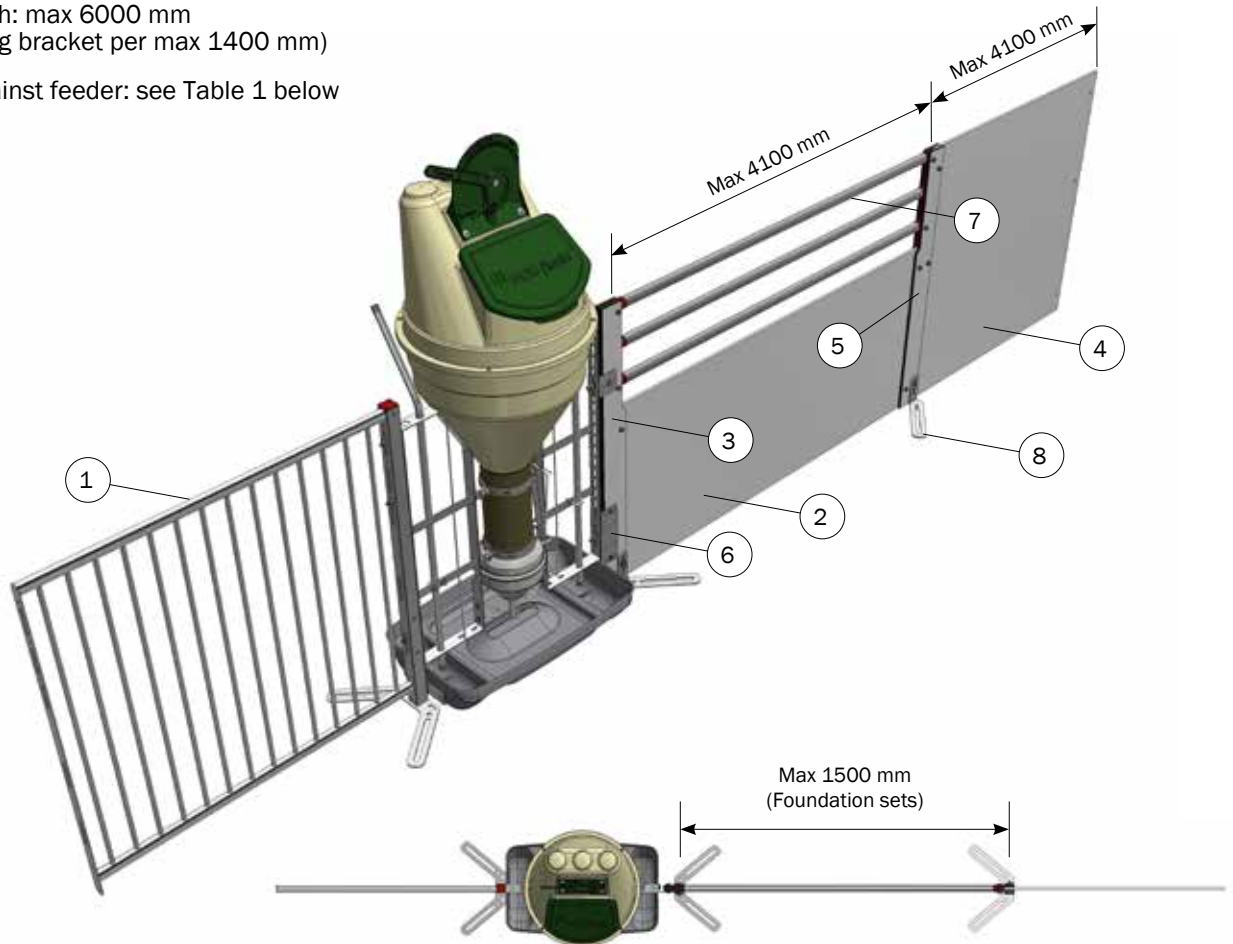


TABLE 1 - GRILLE AGAINST FEEDER

| Højde, mm | L = 1040 mm | L = 1260 mm | L = 1540 mm |
|-----------|-------------|-------------|-------------|
| 995 | 4200104 | 4200126 | 4200154 |
| 870 | 4400104 | 4400126 | 4400154 |
| 745 | 3200104 | 3200126 | 3200154 |

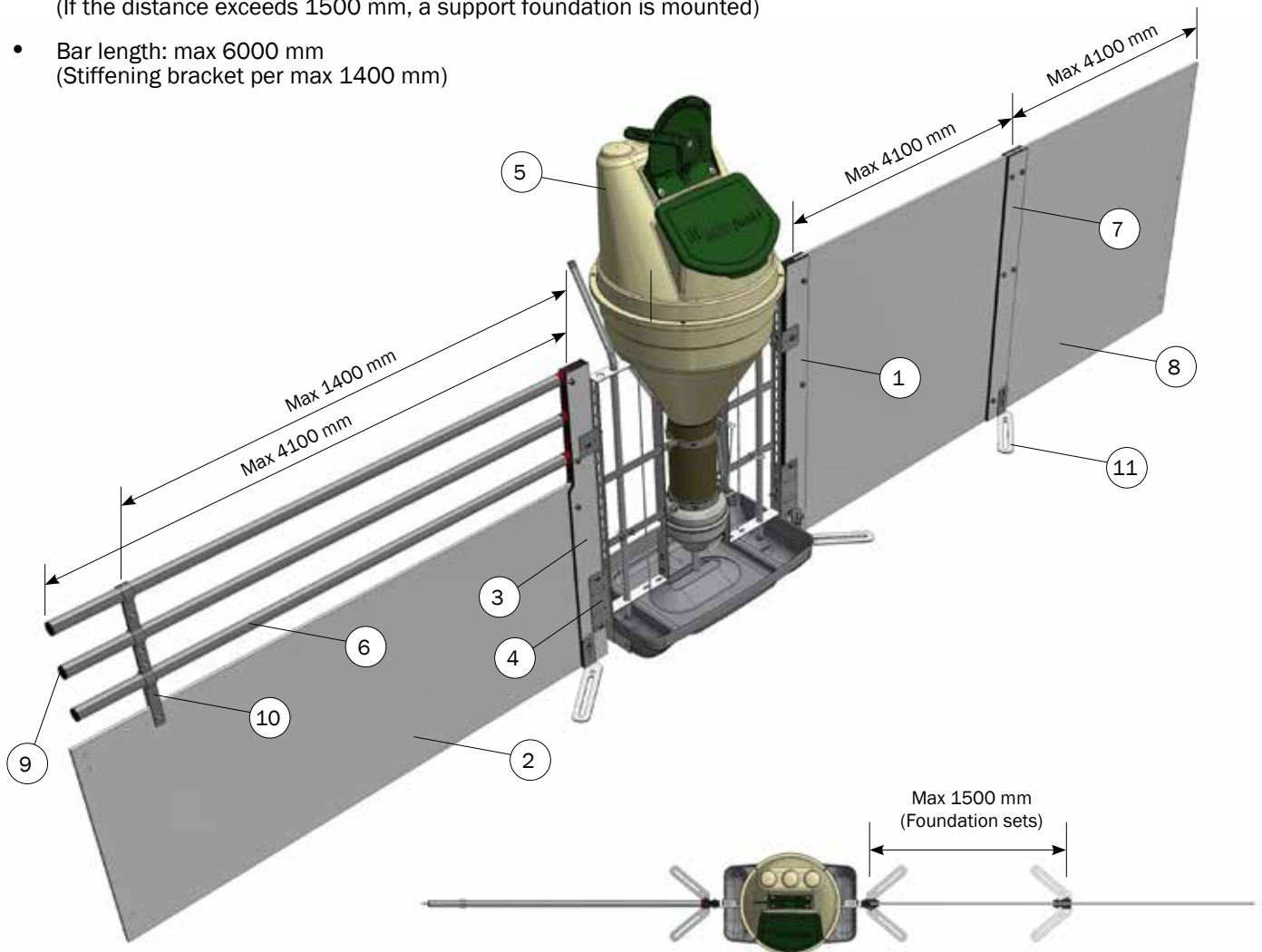
BILL OF MATERIALS

| | Item no. | Description | Pcs. |
|---|----------|---|------|
| | | <i>FIBER_870_995</i> | |
| 1 | 4200104 | GRILLE FOR CLEAN-O-FLEX 1000/1040 | 1 |
| 2 | 4560647 | SIDE H64,2 PLATE MAX. LENGTH 4100 MM | 1 |
| 3 | 4600445 | POST H100 PLATE FOR 3 BARS/FEEDERS | 1 |
| 4 | 4660475 | SIDE H100 PLATE | 1 |
| 5 | 4600440 | POST KIT H100 COMBI PLATE/3 BARS | 1 |
| 6 | 38524 | MOUNTING KIT FOR U-POST AGAINST FEEDERS | 1 |
| 7 | 4610410 | 3 BARS 1' GALVANIZED, PRICE PER METER | 1 |
| 8 | 4500655 | LOOSE FOUNDATION SET, LEFT AND RIGHT, FOR BOARD PROFILE | 2 |

Fiber_870_995

NOTE:

- Plate length: max 4100 mm
(The plate length should be near 4100 mm to avoid waste)
- Distance between foundation sets: max 1500 mm
(If the distance exceeds 1500 mm, a support foundation is mounted)
- Bar length: max 6000 mm
(Stiffening bracket per max 1400 mm)



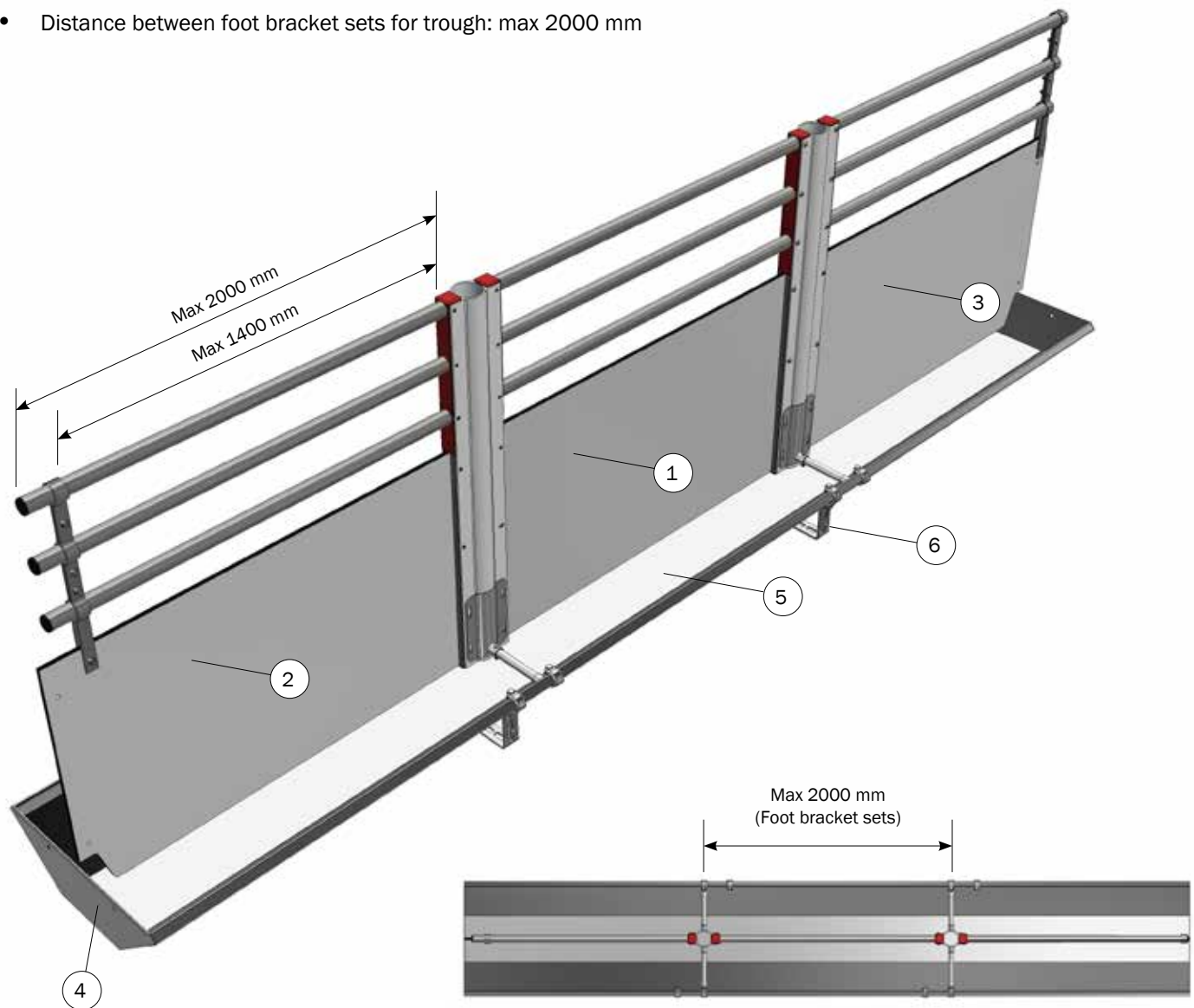
BILL OF MATERIALS

| | Item no. | Description | Pcs. |
|----|----------|---|------|
| | | <i>FIBER_870_995</i> | |
| 1 | 4600442 | POST H100 PLATE FOR FEEDERS | 1 |
| 2 | 4560647 | SIDE H64,2 PLATE MAX. LENGTH 4100 MM | 1 |
| 3 | 4600445 | POST H100 PLATE FOR 3 BARS/FEEDERS | 1 |
| 4 | 38524 | MOUNTING KIT FOR U-POST AGAINST FEEDERS | 2 |
| 5 | 560710M | FUNKIMAT WEANER WITH STAINLESS STEEL TROUGH (FLAT-FLAT) | 1 |
| 6 | 4610410 | 3 BARS 1' GALVANIZED, PRICE PER METER | 1 |
| 7 | 4600433 | ASSEMBLY POST H100 | 1 |
| 8 | 4660475 | SIDE H100 PLATE | 2 |
| 9 | 4500653 | 3 ROUND CAP BLACK (1' PIPE) | 1 |
| 10 | 38944 | 1 PCS. STIFFENING BRACKET SET FOR 3 BARS ON PLATE | 1 |
| 11 | 4500655 | LOOSE FOUNDATION SET, LEFT AND RIGHT, FOR BOARD PROFILE | 3 |

Fiber_870_995

NOTE:

- Plate length, plate with integrated downpipe: max 2000 mm
- Bar length: max 6000 mm
(Stiffening bracket per max 1400 mm)
- Distance between foot bracket sets for trough: max 2000 mm

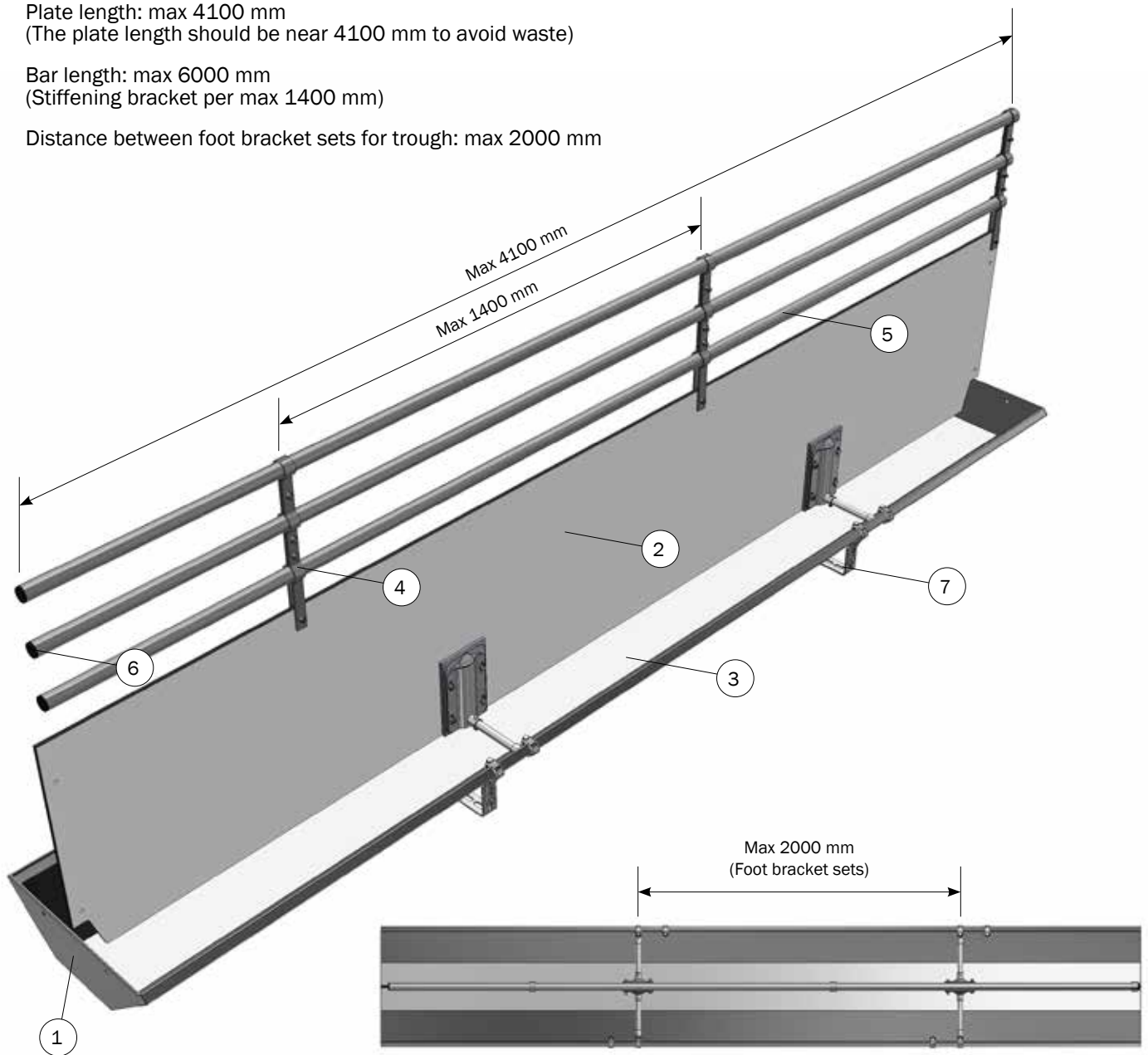


| BILL OF MATERIALS | | | |
|-------------------|----------|---|------|
| | Item no. | Description | Pcs. |
| | | <i>FIBER_870_995</i> | |
| 1 | 4610463 | LIQUID FEED WALL H100 PLATE/3 BARS, CENTER PIECE | 1 |
| 2 | 4610462 | LIQUID FEEDING WALL H100 PLATE/3 BARS AGAINST FRONT, DOWNPIPE | 1 |
| 3 | 4610461 | LIQUID FEEDING WALL H100 PLATE/3 BARS AGAINST WAND, DOWNPIPE | 1 |
| 4 | H5752R | END PIECE LIQUID FEED TROUGH 750 MM | 1 |
| 5 | 39234 | LIQUID FEEDING TROUGH, DOUBLE, FINISHERS | 1 |
| 6 | 31000 | FOOT BRACKET SET FOR DOUBLE TROUGH, FINISHERS | 1 |

Fiber_870_995

NOTE:

- Plate length: max 4100 mm
(The plate length should be near 4100 mm to avoid waste)
- Bar length: max 6000 mm
(Stiffening bracket per max 1400 mm)
- Distance between foot bracket sets for trough: max 2000 mm

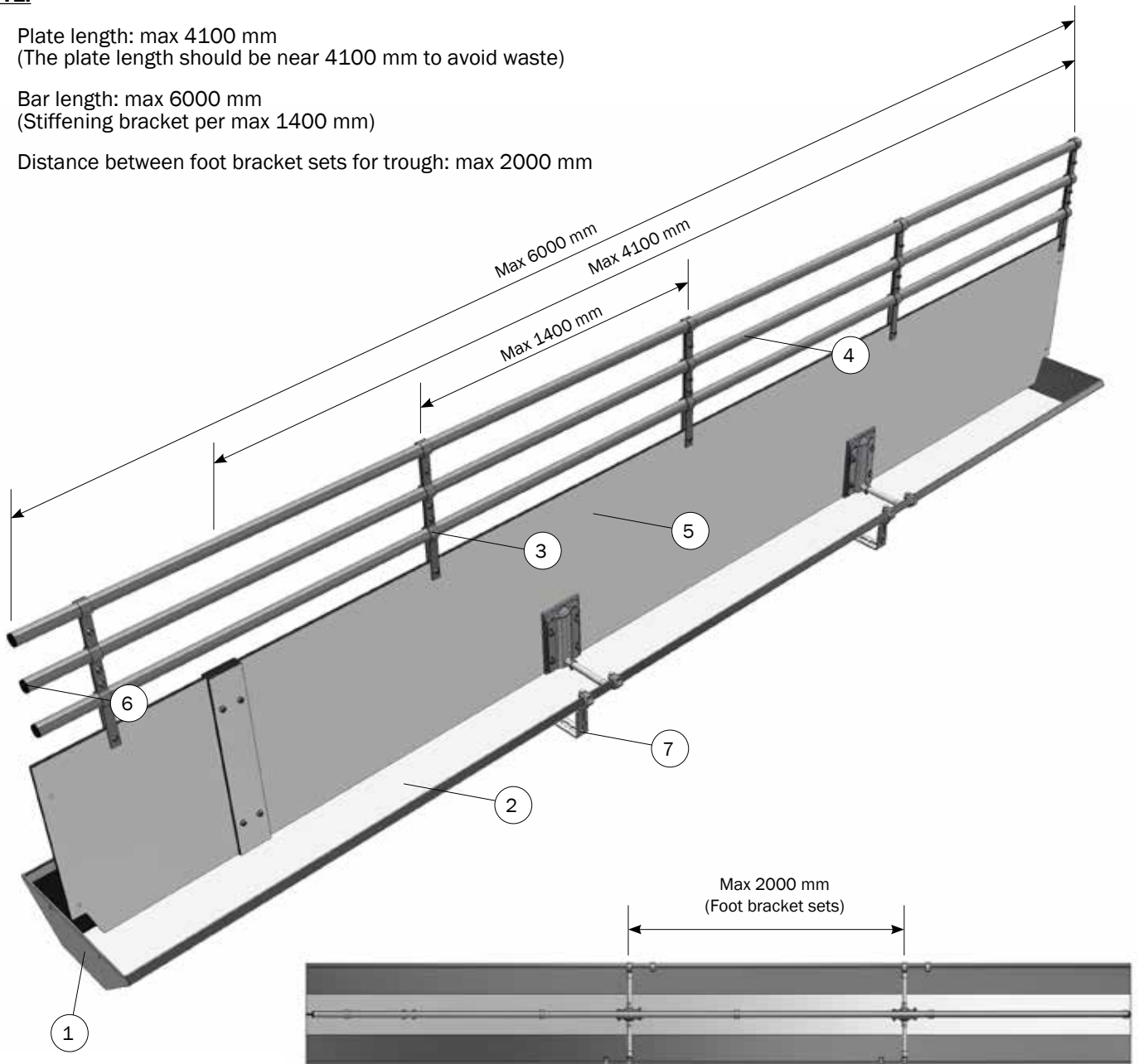


| BILL OF MATERIALS | | | |
|-------------------|----------|--|------|
| | Item no. | Description | Pcs. |
| | | <i>FIBER_870_995</i> | |
| 1 | H5752R | END PIECE LIQUID FEED TROUGH 750 MM | 1 |
| 2 | 4560639 | PLATE H57 FOR LIQUID FEEDING WALL WITHOUT DOWNPIPE MAX. LENGTH 4100 MM | 1 |
| 3 | 39234 | LIQUID FEEDING TROUGH, DOUBLE, FINISHERS | 1 |
| 4 | 4600483 | 3 PCS STIFFENING BRACKET SET FOR 3 BARS ON PLATE | 1 |
| 5 | 4610410 | 3 BARS 1' GALVANIZED, PRICE PER METER | 1 |
| 6 | 4500653 | 3 ROUND CAP BLACK (1' PIPE) | 2 |
| 7 | 4500663 | FOOT BRACKET SET FOR DOUBLE TROUGH, PLATE WEANER | 1 |

Fiber_870_995

NOTE:

- Plate length: max 4100 mm
(The plate length should be near 4100 mm to avoid waste)
- Bar length: max 6000 mm
(Stiffening bracket per max 1400 mm)
- Distance between foot bracket sets for trough: max 2000 mm



| BILL OF MATERIALS | | | |
|-------------------|----------|---|------|
| | Item no. | Description | Pcs. |
| | | <i>FIBER_870_995</i> | |
| 1 | H5752R | END PIECE LIQUID FEED TROUGH 750 MM | 2 |
| 2 | 39234 | LIQUID FEEDING TROUGH, DOUBLE, FINISHERS | 1 |
| 3 | 4600485 | 5 PCS STIFFENING BRACKET SET FOR 3 BARS ON PLATE | 1 |
| 4 | 4610410 | 3 BARS 1' GALVANIZED, PRICE PER METER | 1 |
| 5 | 4510640 | PLATE H57 FOR LIQUID FEEDING WALL WITHOUT DOWNPIPE, LENGHT 4100-6000 MM | 1 |
| 6 | 4500653 | 3 ROUND CAP BLACK (1' PIPE) | 2 |
| 7 | 4500663 | FOOT BRACKET SET FOR DOUBLE TROUGH, PLATE WEANER | 1 |

Fiber_870_995

NOTE:

- Plate length: max 4100 mm
(The plate length should be near 4100 mm to avoid waste)
- Distance between foundation sets: max 1500 mm
(If the distance exceeds 1500 mm, a support foundation is mounted)
- Grille against plate: see Table 2 below

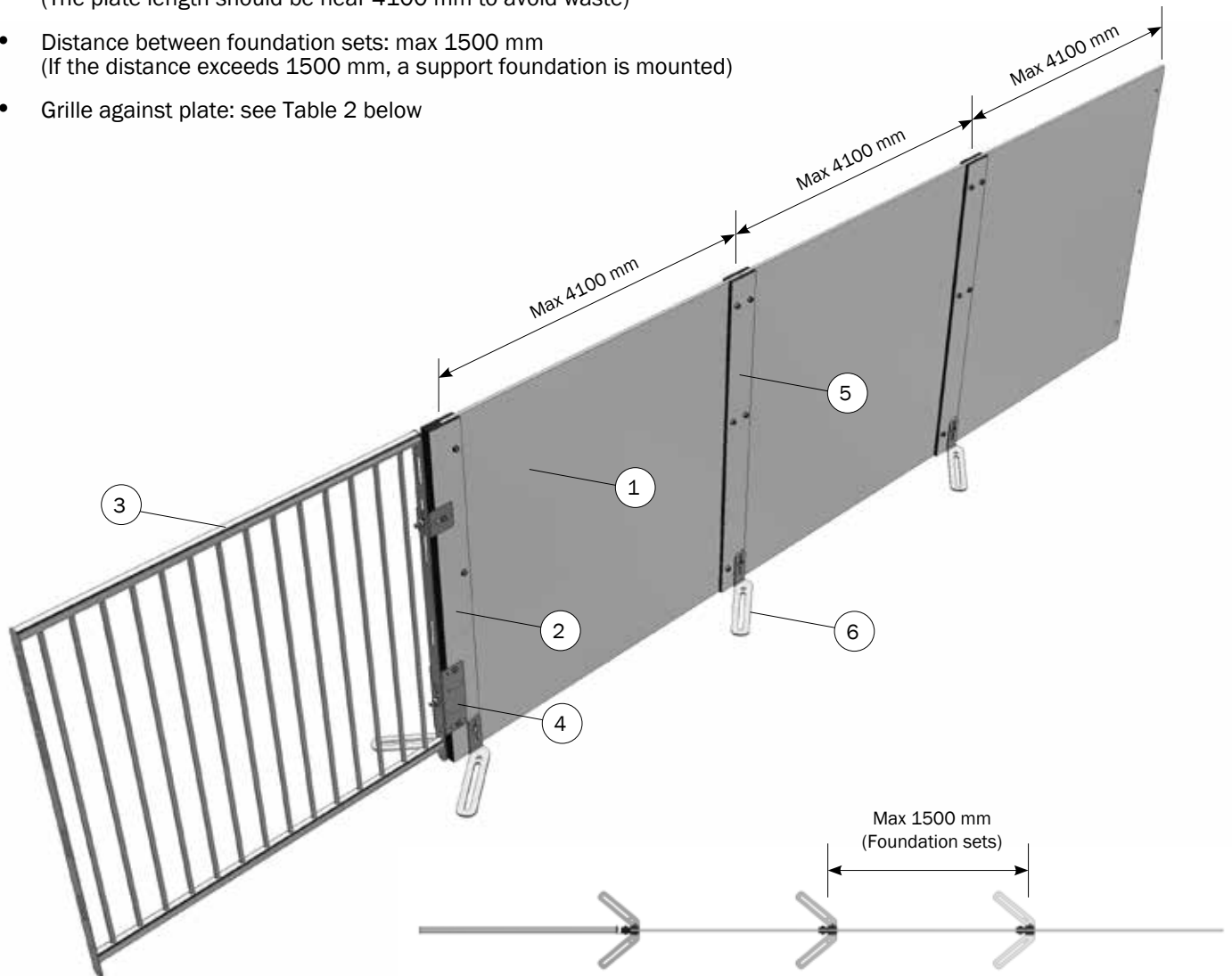


TABLE 2 - GRILLE AGAINST PLATE

| Højde, mm | L = 1040 mm | L = 1260 mm | L = 1540 mm |
|-----------|-------------|-------------|-------------|
| 995 | 4150873 | 4150874 | 4150875 |
| 870 | 4450873 | 4450874 | 4450875 |
| 745 | 3150873 | 3150874 | 3150875 |

BILL OF MATERIALS

| | Item no. | Description | Pcs. |
|---|----------|---|------|
| | | <i>FIBER_870_995</i> | |
| 1 | 4660475 | SIDE H100 PLATE | 3 |
| 2 | 4600442 | POST H100 PLATE FOR FEEDERS | 1 |
| 3 | 4150873 | STAINLESS STEEL CONTACT GRILLE H:1000 L:1000 | 1 |
| 4 | 38524 | MOUNTING KIT FOR U-POST AGAINST FEEDERS | 1 |
| 5 | 4600433 | ASSEMBLY POST H100 | 2 |
| 6 | 4500655 | LOOSE FOUNDATION SET, LEFT AND RIGHT, FOR BOARD PROFILE | 3 |

Fiber_870_995

NOTE:

- Plate length: max 4100 mm
(The plate length should be near 4100 mm to avoid waste)
- Bar length: max 6000 mm
(Stiffening bracket per max 1400 mm)
- Distance between foundation sets: max 1500 mm
(If the distance exceeds 1500 mm, a support foundation is mounted)
- Grille against plate: see Table 2 below

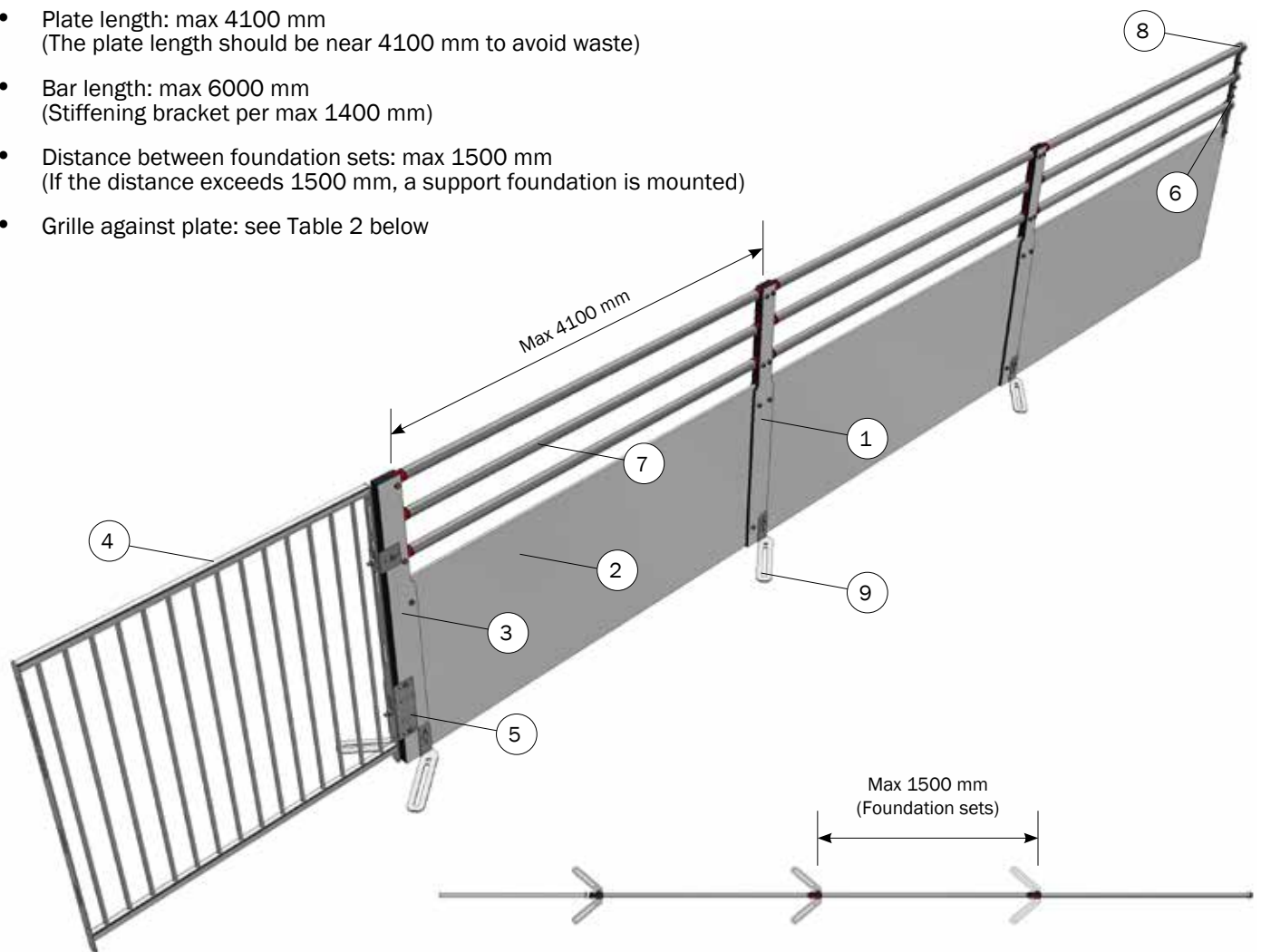


TABLE 2 - GRILLE AGAINST PLATE

| Højde, mm | L = 1040 mm | L = 1260 mm | L = 1540 mm |
|-----------|-------------|-------------|-------------|
| 995 | 4150873 | 4150874 | 4150875 |
| 870 | 4450873 | 4450874 | 4450875 |
| 745 | 3150873 | 3150874 | 3150875 |

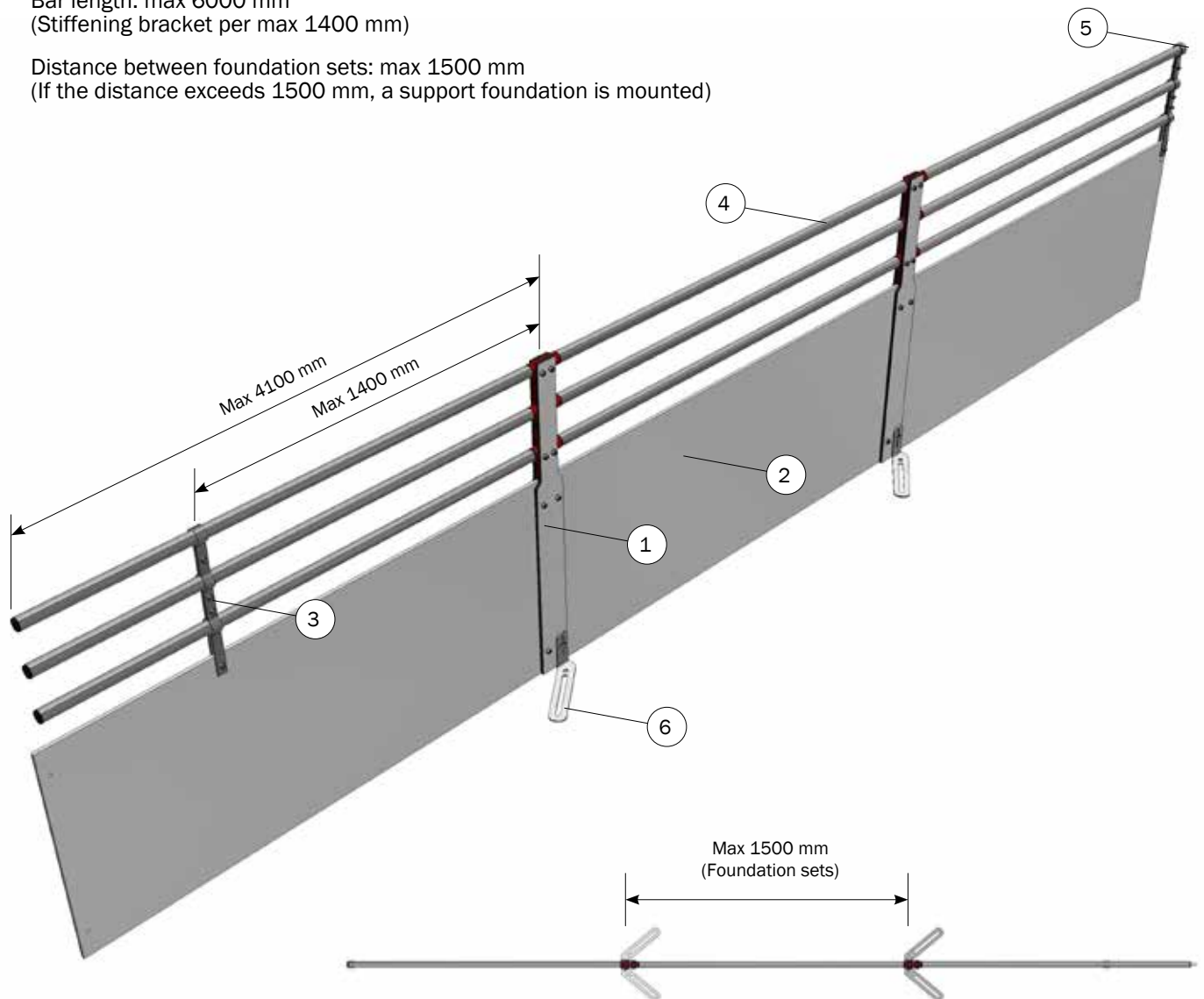
BILL OF MATERIALS

| | Item no. | Description | Pcs. |
|---|----------|---|------|
| | | <i>FIBER_870_995</i> | |
| 1 | 4600438 | POST KIT H100 PLATE/3 BARS | 2 |
| 2 | 4560647 | SIDE H64,2 PLATE MAX. LENGTH 4100 MM | 3 |
| 3 | 4600445 | POST H100 PLATE FOR 3 BARS/FEEDERS | 1 |
| 4 | 4150873 | STAINLESS STEEL CONTACT GRILLE H:1000 L:1000 | 1 |
| 5 | 38524 | MOUNTING KIT FOR U-POST AGAINST FEEDERS | 1 |
| 6 | 38944 | 1 PCS. STIFFENING BRACKET SET FOR 3 BARS ON PLATE | 1 |
| 7 | 4610410 | 3 BARS 1' GALVANIZED, PRICE PER METER | 3 |
| 8 | 4500653 | 3 ROUND CAP BLACK (1' PIPE) | 1 |
| 9 | 4500655 | LOOSE FOUNDATION SET, LEFT AND RIGHT, FOR BOARD PROFILE | 3 |

Fiber_870_995

NOTE:

- Plate length: max 4100 mm
(The plate length should be near 4100 mm to avoid waste)
- Bar length: max 6000 mm
(Stiffening bracket per max 1400 mm)
- Distance between foundation sets: max 1500 mm
(If the distance exceeds 1500 mm, a support foundation is mounted)



| BILL OF MATERIALS | | | |
|-------------------|----------|---|------|
| | Item no. | Description | Pcs. |
| | | <i>FIBER_870_995</i> | |
| 1 | 4600438 | POST KIT H100 PLATE/3 BARS | 2 |
| 2 | 4560647 | SIDE H64,2 PLATE MAX. LENGTH 4100 MM | 3 |
| 3 | 4600482 | 2 PCS STIFFENING BRACKET SET FOR 3 BARS ON PLATE | 1 |
| 4 | 4610410 | 3 BARS 1' GALVANIZED, PRICE PER METER | 3 |
| 5 | 4500653 | 3 ROUND CAP BLACK (1' PIPE) | 2 |
| 6 | 4500655 | LOOSE FOUNDATION SET, LEFT AND RIGHT, FOR BOARD PROFILE | 2 |

Fiber_870_995

NOTE:

- Plate length: max 4100 mm
(The plate length should be near 4100 mm to avoid waste)
- Bar length: max 6000 mm
(Stiffening bracket per max 1400 mm)
- Distance between foundation sets: max 1500 mm
(If the distance exceeds 1500 mm, a support foundation is mounted)
- Grille against plate: see Table 2 below

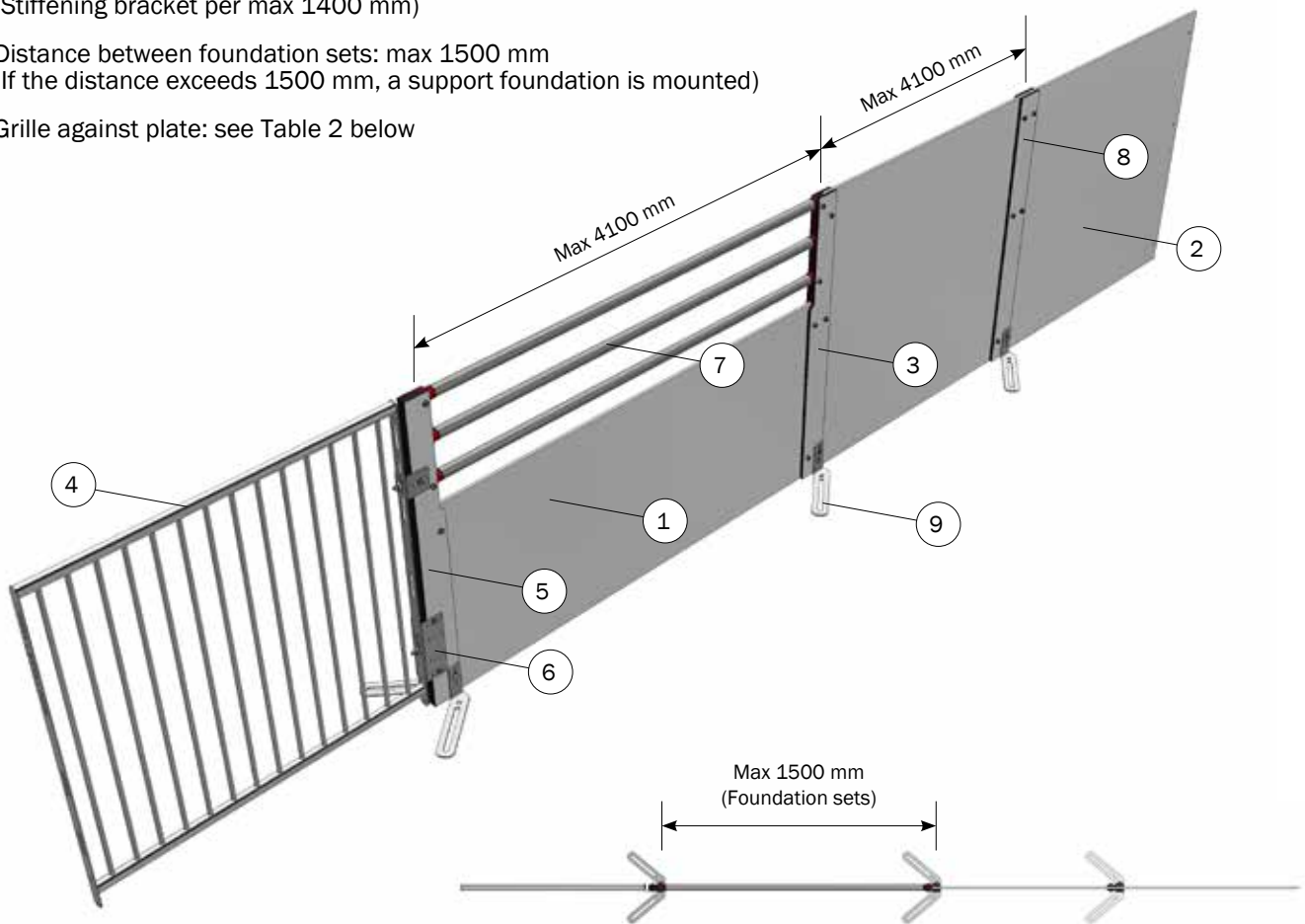


TABLE 2 - GRILLE AGAINST PLATE

| Højde, mm | L = 1040 mm | L = 1260 mm | L = 1540 mm |
|-----------|-------------|-------------|-------------|
| 995 | 4150873 | 4150874 | 4150875 |
| 870 | 4450873 | 4450874 | 4450875 |
| 745 | 3150873 | 3150874 | 3150875 |

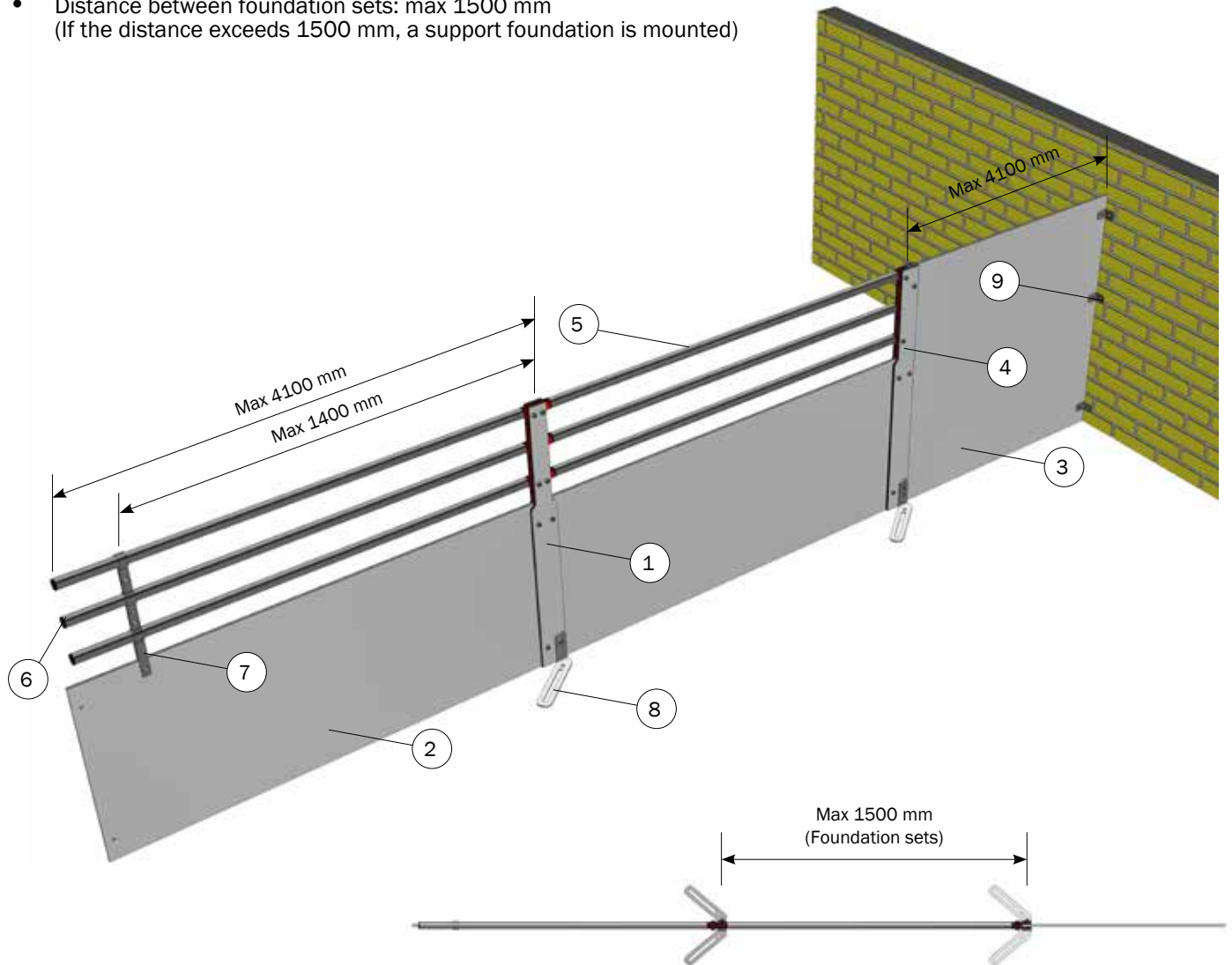
BILL OF MATERIALS

| Item no. | Description | Pcs. |
|----------|---|------|
| | <i>FIBER_870_995</i> | |
| 1 | 4560647 SIDE H64,2 PLATE MAX. LENGTH 4100 MM | 1 |
| 2 | 4660475 SIDE H100 PLATE | 2 |
| 3 | 4600440 POST KIT H100 COMBI PLATE/3 BARS | 1 |
| 4 | 4150873 STAINLESS STEEL CONTACT GRILLE H:1000 L:1000 | 1 |
| 5 | 4600445 POST H100 PLATE FOR 3 BARS/FEEDERS | 1 |
| 6 | 38524 MOUNTING KIT FOR U-POST AGAINST FEEDERS | 1 |
| 7 | 4610410 3 BARS 1' GALVANIZED, PRICE PER METER | 1 |
| 8 | 4600433 ASSEMBLY POST H100 | 1 |
| 9 | 4500655 LOOSE FOUNDATION SET, LEFT AND RIGHT, FOR BOARD PROFILE | 3 |

Fiber_870_995

NOTE:

- Plate length: max 4100 mm
(The plate length should be near 4100 mm to avoid waste)
- Bar length: max 6000 mm
(Stiffening bracket per max 1400 mm)
- Distance between foundation sets: max 1500 mm
(If the distance exceeds 1500 mm, a support foundation is mounted)



| BILL OF MATERIALS | | | |
|-------------------|----------|--|------|
| | Item no. | Description | Pcs. |
| | | <i>FIBER_870_995</i> | |
| 1 | 4600438 | POST KIT H100 PLATE/3 BARS | 1 |
| 2 | 4560647 | SIDE H64,2 PLATE MAX. LENGTH 4100 MM | 2 |
| 3 | 4660475 | SIDE H100 PLATE | 1 |
| 4 | 4600440 | POST KIT H100 COMBI PLATE/3 BARS | 1 |
| 5 | 4610410 | 3 BARS 1' GALVANIZED, PRICE PER METER | 2 |
| 6 | 4500653 | 3 ROUND CAP BLACK (1' PIPE) | 1 |
| 7 | 38944 | 1 PCS. STIFFENING BRACKET SET FOR 3 BARS ON PLATE | 1 |
| 8 | 4500655 | LOOSE FOUNDATION SET, LEFT AND RIGHT, FOR BOARD PROFILE | 2 |
| 9 | 4500662 | MOUNTING KIT FOR PARTITION AGAINST FRONT PART/WASHING WALL | 1 |

Fiber_870_995

NOTE:

- Plate length: max 4100 mm
(The plate length should be near 4100 mm to avoid waste)
- Bar length: max 6000 mm
(Stiffening bracket per max 1400 mm)
- Distance between foundation sets: max 1500 mm
(If the distance exceeds 1500 mm, a support foundation is mounted)
- Grille against feeder: see Table 1 below

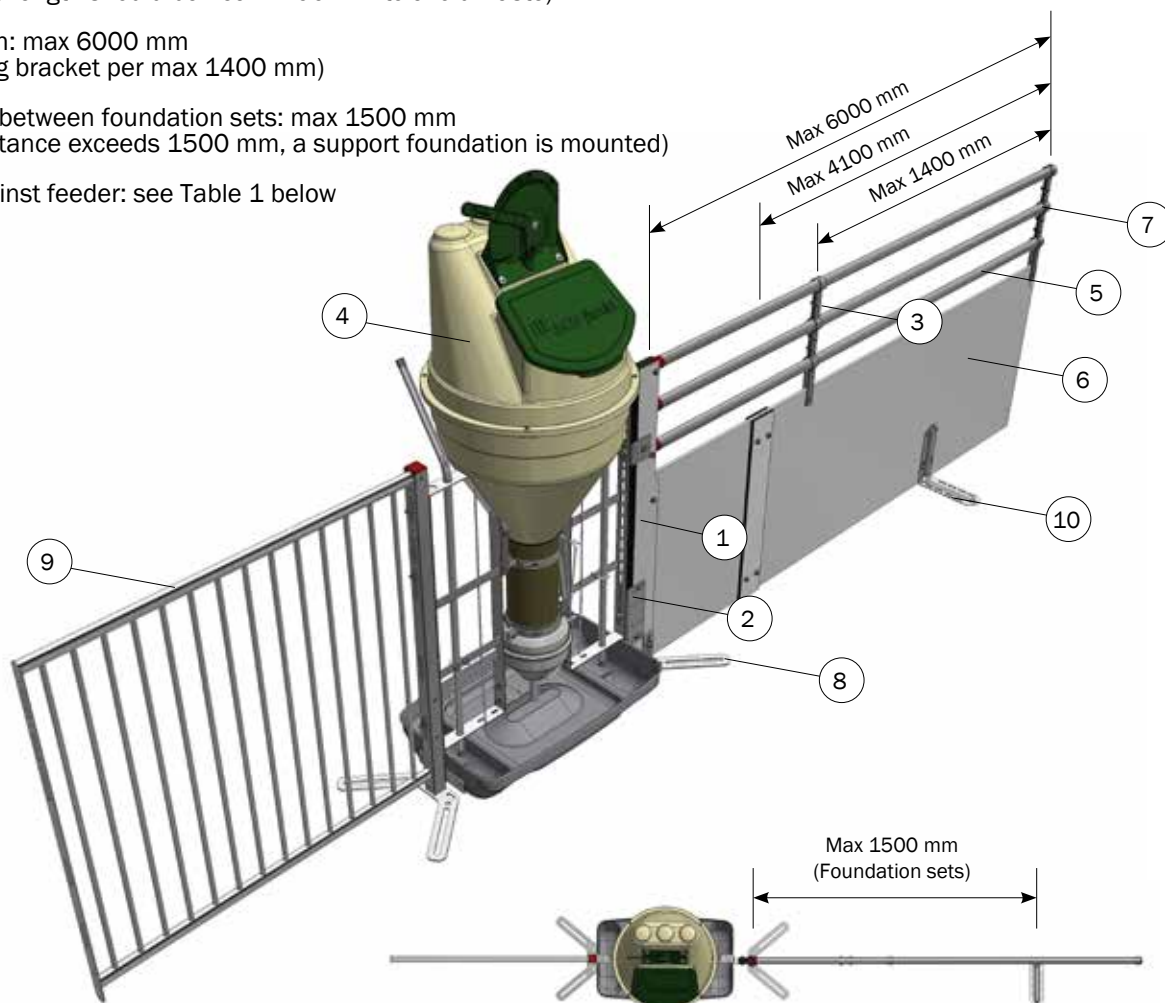


TABLE 1 - GRILLE AGAINST FEEDER

| Højde, mm | L = 1040 mm | L = 1260 mm | L = 1540 mm |
|-----------|-------------|-------------|-------------|
| 995 | 4200104 | 4200126 | 4200154 |
| 870 | 4400104 | 4400126 | 4400154 |
| 745 | 3200104 | 3200126 | 3200154 |

BILL OF MATERIALS

| | Item no. | Description | Pcs. |
|----|----------|---|------|
| | | <i>FIBER_870_995</i> | |
| 1 | 4600445 | POST H100 PLATE FOR 3 BARS/FEEDERS | 1 |
| 2 | 38524 | MOUNTING KIT FOR U-POST AGAINST FEEDERS | 1 |
| 3 | 4600483 | 3 PCS STIFFENING BRACKET SET FOR 3 BARS ON PLATE | 1 |
| 4 | 560710M | FUNKIMAT WEANER WITH STAINLESS STEEL TROUGH (FLAT-FLAT) | 1 |
| 5 | 4610410 | 3 BARS 1' GALVANIZED, PRICE PER METER | 1 |
| 6 | 4510648 | SIDE H64,2 PLATE LENGTH 4100-6000 MM | 1 |
| 7 | 4500653 | 3 ROUND CAP BLACK (1' PIPE) | 1 |
| 8 | 4500655 | LOOSE FOUNDATION SET, LEFT AND RIGHT, FOR BOARD PROFILE | 1 |
| 9 | 4200104 | GRILLE FOR CLEAN-O-FLEX 1000/1040 | 1 |
| 10 | 4901802 | SUPPORT FOUNDATION FOR SLATS, FIBER | 1 |

Fiber_870_995

NOTE:

- Plate length: max 4100 mm
(The plate length should be near 4100 mm to avoid waste)
- Bar length: max 6000 mm
(Stiffening bracket per max 1400 mm)
- Distance between foundation sets: max 1500 mm
(If the distance exceeds 1500 mm, a support foundation is mounted)
- Grille against feeder: see Table 1 below

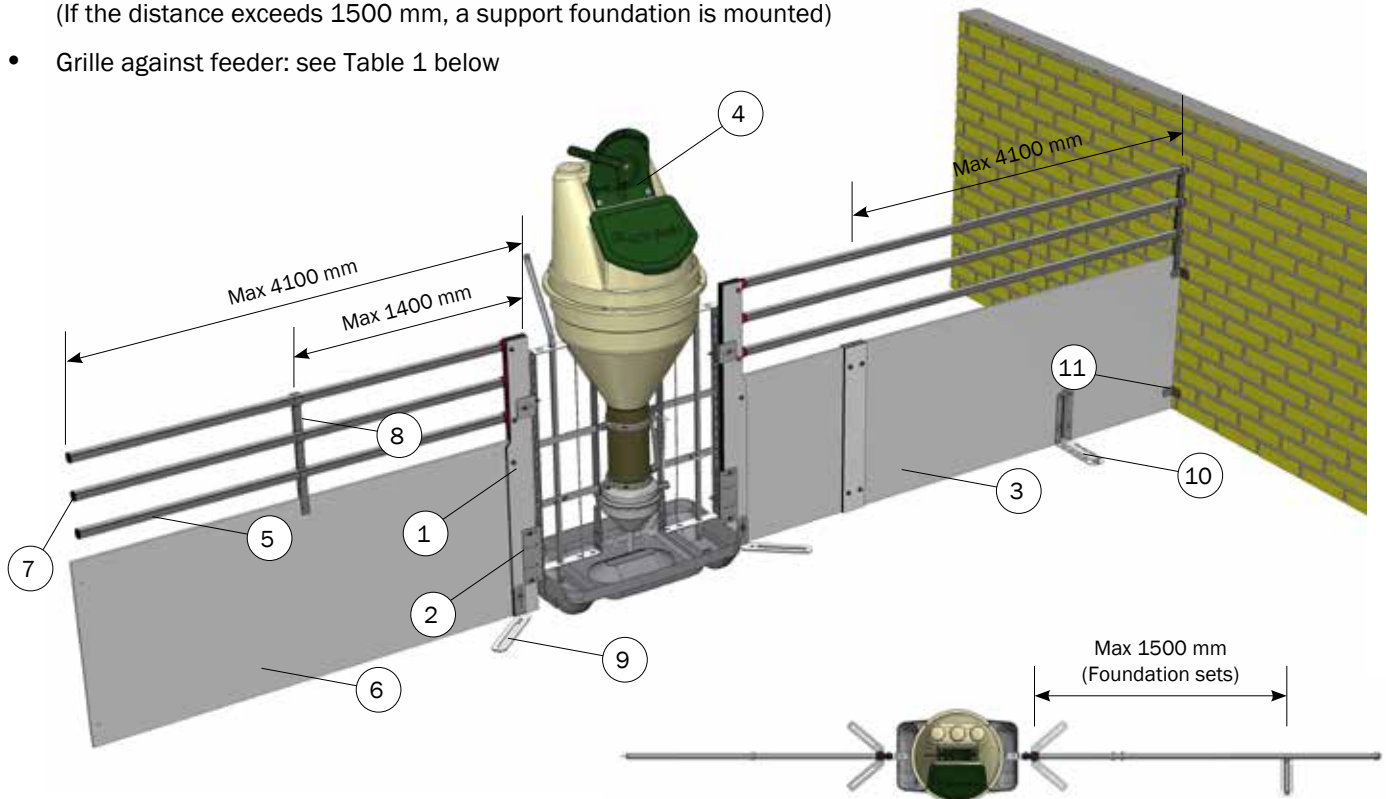


TABLE 1 - GRILLE AGAINST FEEDER

| Højde, mm | L = 1040 mm | L = 1260 mm | L = 1540 mm |
|-----------|-------------|-------------|-------------|
| 995 | 4200104 | 4200126 | 4200154 |
| 870 | 4400104 | 4400126 | 4400154 |
| 745 | 3200104 | 3200126 | 3200154 |

BILL OF MATERIALS

| | Item no. | Description | Pcs. |
|----|----------|---|------|
| | | <i>FIBER_870_995</i> | |
| 1 | 4600445 | POST H100 PLATE FOR 3 BARS/FEEDERS | 2 |
| 2 | 38524 | MOUNTING KIT FOR U-POST AGAINST FEEDERS | 2 |
| 3 | 4560647 | SIDE H64,2 PLATE MAX. LENGTH 4100 MM | 1 |
| 4 | 560710M | FUNKIMAT WEANER WITH STAINLESS STEEL TROUGH (FLAT-FLAT) | 1 |
| 5 | 4610410 | 3 BARS 1' GALVANIZED, PRICE PER METER | 2 |
| 6 | 4510648 | SIDE H64,2 PLATE LENGTH 4100-6000 MM | 1 |
| 7 | 4500653 | 3 ROUND CAP BLACK (1' PIPE) | 2 |
| 8 | 38944 | 1 PCS. STIFFENING BRACKET SET FOR 3 BARS ON PLATE | 2 |
| 9 | 4500655 | LOOSE FOUNDATION SET, LEFT AND RIGHT, FOR BOARD PROFILE | 2 |
| 10 | 4901802 | SUPPORT FOUNDATION FOR SLATS, FIBER | 1 |
| 11 | 4500661 | MOUNTING KIT FOR PARTITION AGAINST WALL | 1 |

Fiber_870_995

NOTE:

- Plate length: max 4100 mm
(The plate length should be near 4100 mm to avoid waste)
- Bar length: max 6000 mm
(Stiffening bracket per max 1400 mm)
- Distance between foundation sets: max 1500 mm
(If the distance exceeds 1500 mm, a support foundation is mounted)
- Grille against plate: see Table 2 below

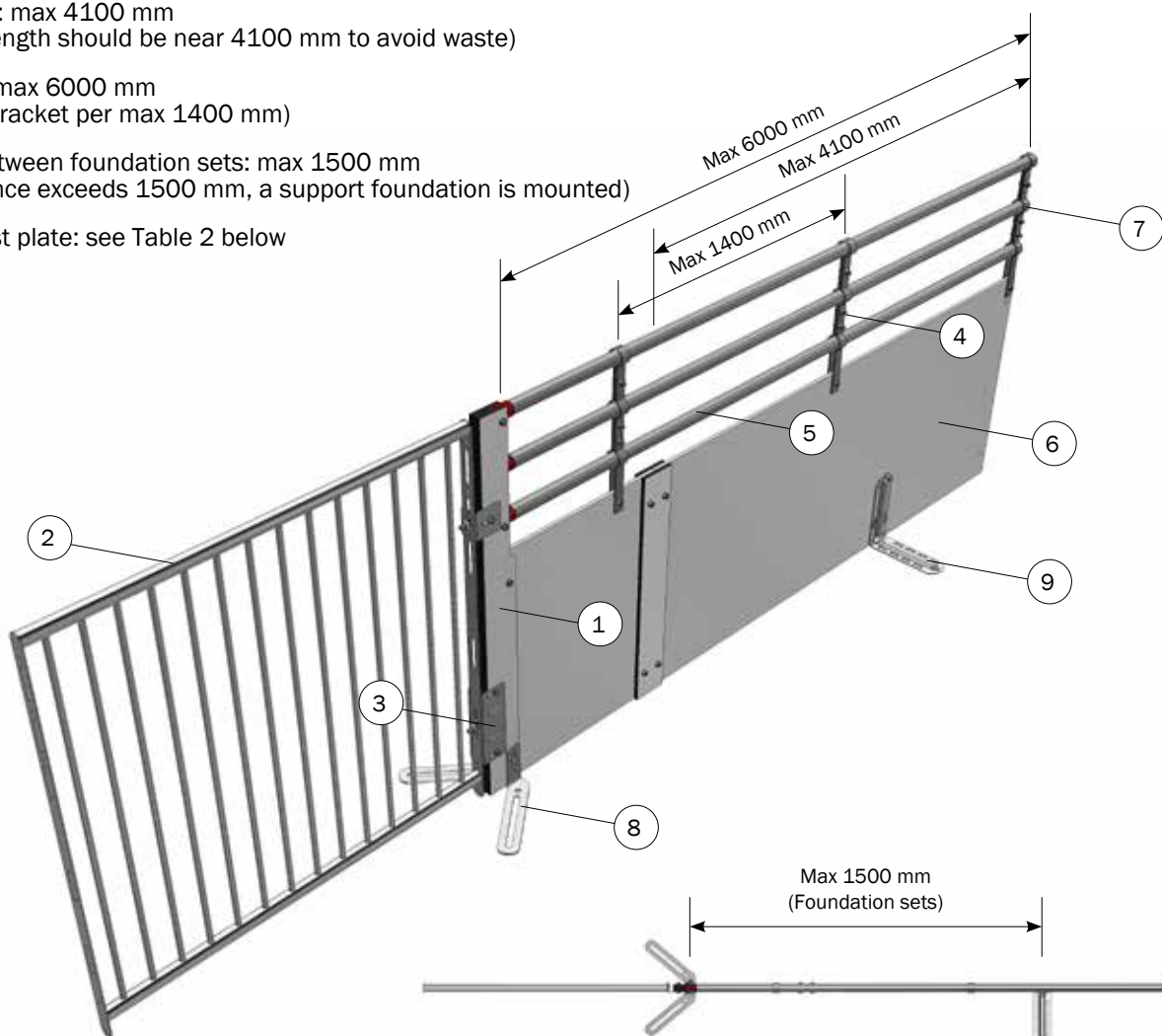


TABLE 2 - GRILLE AGAINST PLATE

| Højde, mm | L = 1040 mm | L = 1260 mm | L = 1540 mm |
|-----------|-------------|-------------|-------------|
| 995 | 4150873 | 4150874 | 4150875 |
| 870 | 4450873 | 4450874 | 4450875 |
| 745 | 3150873 | 3150874 | 3150875 |

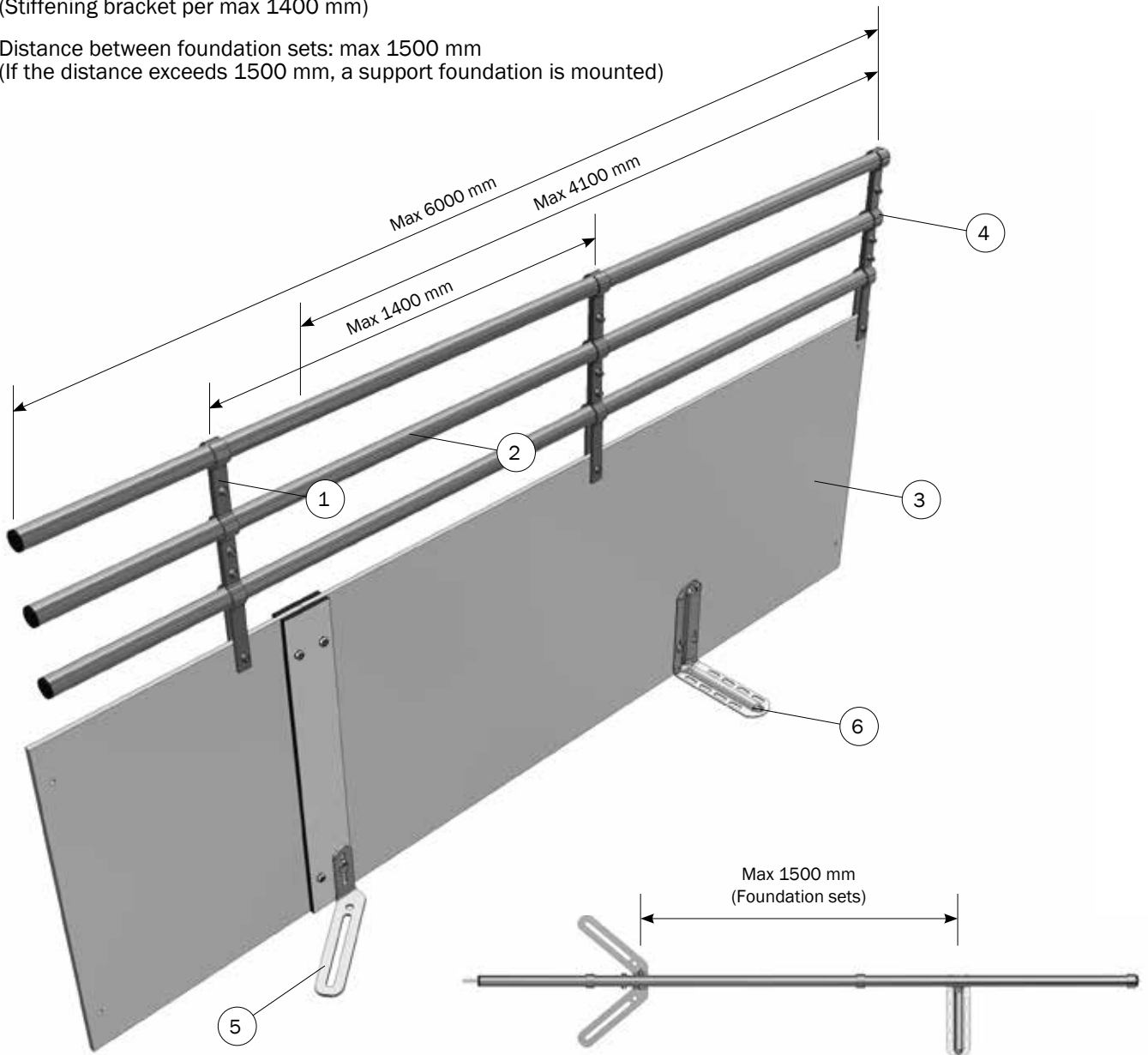
BILL OF MATERIALS

| | Item no. | Description | Pcs. |
|---|----------|---|------|
| | | <i>FIBER_870_995</i> | |
| 1 | 4600445 | POST H100 PLATE FOR 3 BARS/FEEDERS | 1 |
| 2 | 4150873 | STAINLESS STEEL CONTACT GRILLE H:1000 L:1000 | 1 |
| 3 | 38524 | MOUNTING KIT FOR U-POST AGAINST FEEDERS | 1 |
| 4 | 4600483 | 3 PCS STIFFENING BRACKET SET FOR 3 BARS ON PLATE | 1 |
| 5 | 4610410 | 3 BARS 1' GALVANIZED, PRICE PER METER | 1 |
| 6 | 4510648 | SIDE H64,2 PLATE LENGTH 4100-6000 MM | 1 |
| 7 | 4500653 | 3 ROUND CAP BLACK (1' PIPE) | 1 |
| 8 | 4500655 | LOOSE FOUNDATION SET, LEFT AND RIGHT, FOR BOARD PROFILE | 1 |
| 9 | 4901802 | SUPPORT FOUNDATION FOR SLATS, FIBER | 1 |

Fiber_870_995

NOTE:

- Plate length: max 4100 mm
(The plate length should be near 4100 mm to avoid waste)
- Bar length: max 6000 mm
(Stiffening bracket per max 1400 mm)
- Distance between foundation sets: max 1500 mm
(If the distance exceeds 1500 mm, a support foundation is mounted)

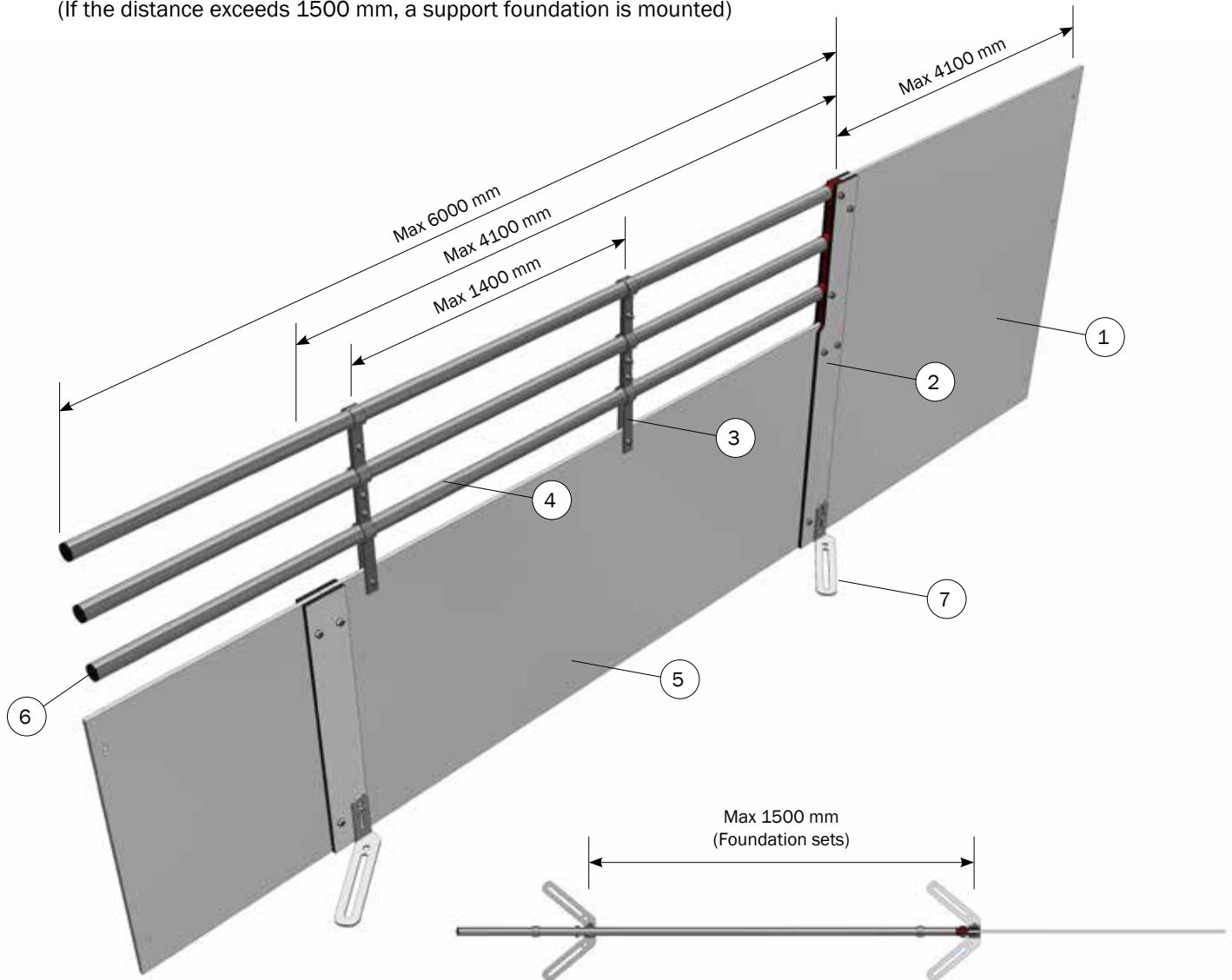


| BILL OF MATERIALS | | | |
|-------------------|----------|---|------|
| | Item no. | Description | Pcs. |
| | | <i>FIBER_870_995</i> | |
| 1 | 4600483 | 3 PCS STIFFENING BRACKET SET FOR 3 BARS ON PLATE | 1 |
| 2 | 4610410 | 3 BARS 1' GALVANIZED, PRICE PER METER | 1 |
| 3 | 4510648 | SIDE H64,2 PLATE LENGTH 4100-6000 MM | 1 |
| 4 | 4500653 | 3 ROUND CAP BLACK (1' PIPE) | 2 |
| 5 | 4500655 | LOOSE FOUNDATION SET, LEFT AND RIGHT, FOR BOARD PROFILE | 1 |
| 6 | 4901802 | SUPPORT FOUNDATION FOR SLATS, FIBER | 1 |

Fiber_870_995

NOTE:

- Plate length: max 4100 mm
(The plate length should be near 4100 mm to avoid waste)
- Bar length: max 6000 mm
(Stiffening bracket per max 1400 mm)
- Distance between foundation sets: max 1500 mm
(If the distance exceeds 1500 mm, a support foundation is mounted)



| BILL OF MATERIALS | | | |
|-------------------|----------|---|------|
| | Item no. | Description | Pcs. |
| | | <i>FIBER_870_995</i> | |
| 1 | 4660475 | SIDE H100 PLATE | 1 |
| 2 | 4600440 | POST KIT H100 COMBI PLATE/3 BARS | 1 |
| 3 | 4600482 | 2 PCS STIFFENING BRACKET SET FOR 3 BARS ON PLATE | 1 |
| 4 | 4610410 | 3 BARS 1' GALVANIZED, PRICE PER METER | 1 |
| 5 | 4510648 | SIDE H64,2 PLATE LENGTH 4100-6000 MM | 1 |
| 6 | 4500653 | 3 ROUND CAP BLACK (1' PIPE) | 1 |
| 7 | 4500655 | LOOSE FOUNDATION SET, LEFT AND RIGHT, FOR BOARD PROFILE | 2 |

Fiber_870_995

NOTE:

- Plate length: max 4100 mm
(The plate length should be near 4100 mm to avoid waste)
- Bar length: max 6000 mm
(Stiffening bracket per max 1400 mm)
- Distance between foundation sets: max 1500 mm
(If the distance exceeds 1500 mm, a support foundation is mounted)
- Grille against feeder: see Table 1 below

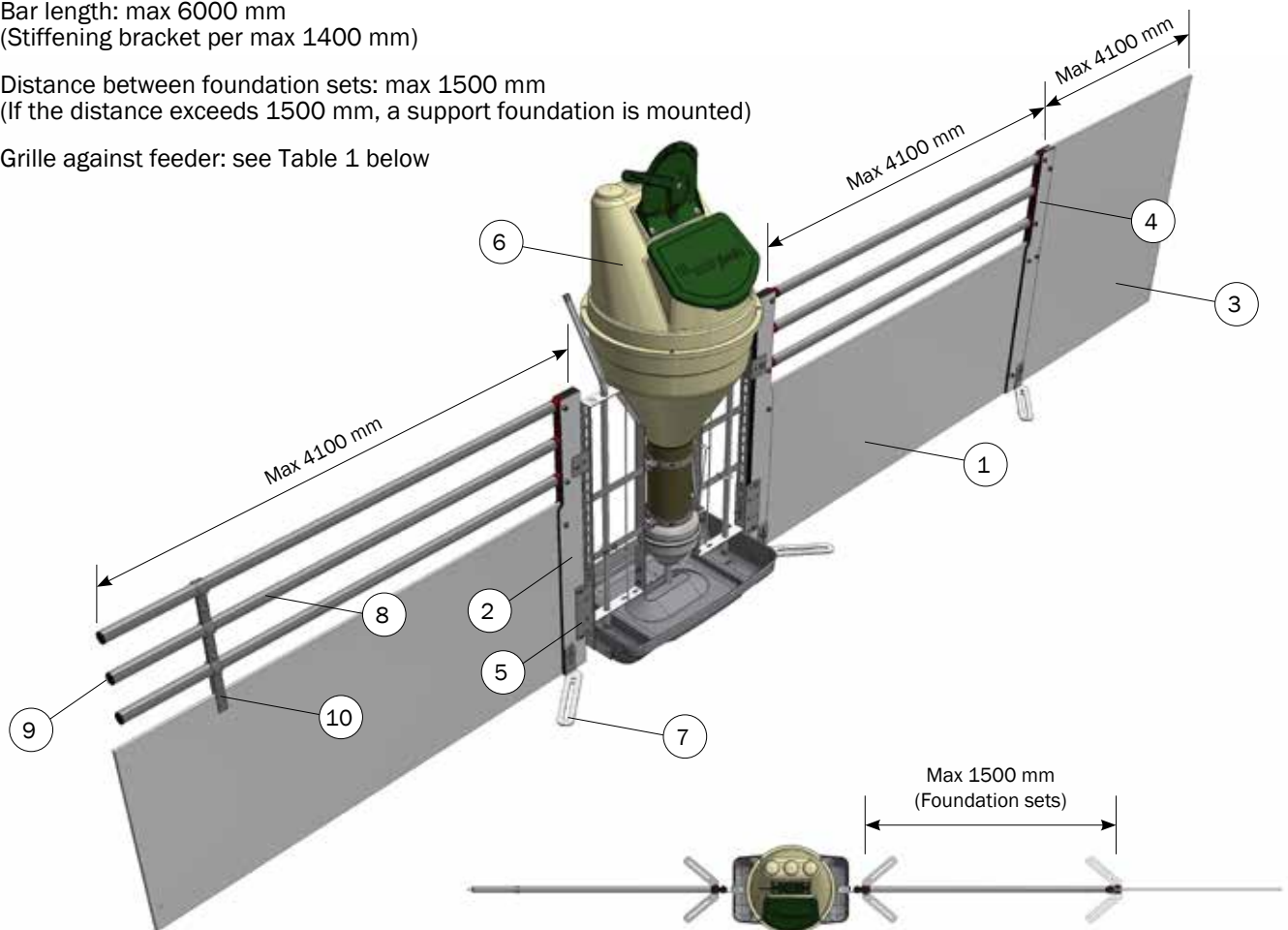


TABLE 1 - GRILLE AGAINST FEEDER

| Højde, mm | L = 1040 mm | L = 1260 mm | L = 1540 mm |
|-----------|-------------|-------------|-------------|
| 995 | 4200104 | 4200126 | 4200154 |
| 870 | 4400104 | 4400126 | 4400154 |
| 745 | 3200104 | 3200126 | 3200154 |

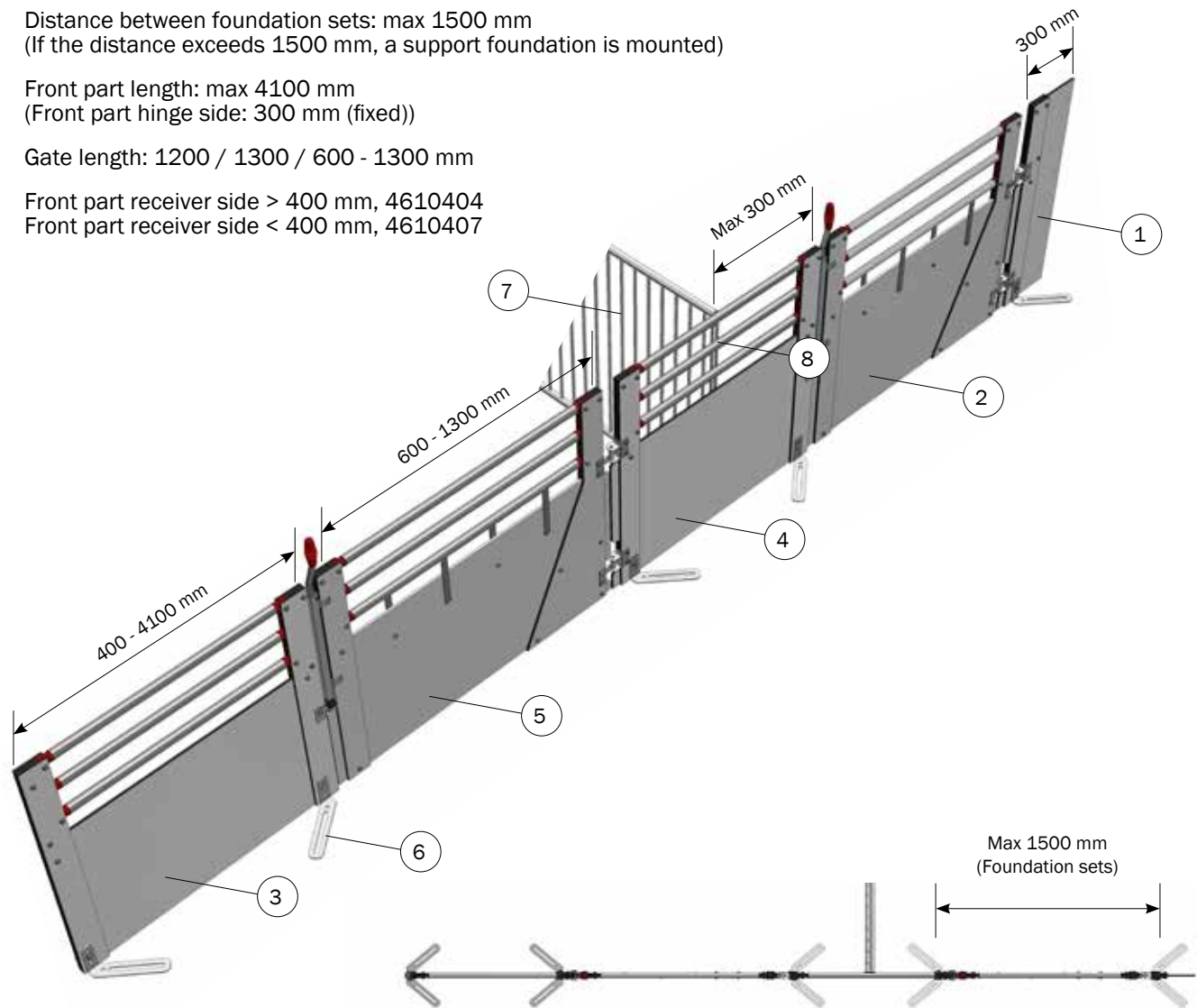
BILL OF MATERIALS

| | Item no. | Description | Pcs. |
|----|----------|---|------|
| | | <i>FIBER_870_995</i> | |
| 1 | 4560647 | SIDE H64,2 PLATE MAX. LENGTH 4100 MM | 2 |
| 2 | 4600445 | POST H100 PLATE FOR 3 BARS/FEEDERS | 2 |
| 3 | 4660475 | SIDE H100 PLATE | 1 |
| 4 | 4600440 | POST KIT H100 COMBI PLATE/3 BARS | 1 |
| 5 | 38524 | MOUNTING KIT FOR U-POST AGAINST FEEDERS | 2 |
| 6 | 560710M | FUNKIMAT WEANER WITH STAINLESS STEEL TROUGH (FLAT-FLAT) | 1 |
| 7 | 4500655 | LOOSE FOUNDATION SET, LEFT AND RIGHT, FOR BOARD PROFILE | 3 |
| 8 | 4610410 | 3 BARS 1' GALVANIZED, PRICE PER METER | 2 |
| 9 | 4500653 | 3 ROUND CAP BLACK (1' PIPE) | 1 |
| 10 | 38944 | 1 PCS. STIFFENING BRACKET SET FOR 3 BARS ON PLATE | 1 |

Fiber_870_995

NOTE:

- Plate length: max 4100 mm
(The plate length should be near 4100 mm to avoid waste)
- Bar length: max 6000 mm
(Stiffening bracket per max 1400 mm)
- Distance between foundation sets: max 1500 mm
(If the distance exceeds 1500 mm, a support foundation is mounted)
- Front part length: max 4100 mm
(Front part hinge side: 300 mm (fixed))
- Gate length: 1200 / 1300 / 600 - 1300 mm
- Front part receiver side > 400 mm, 4610404
Front part receiver side < 400 mm, 4610407

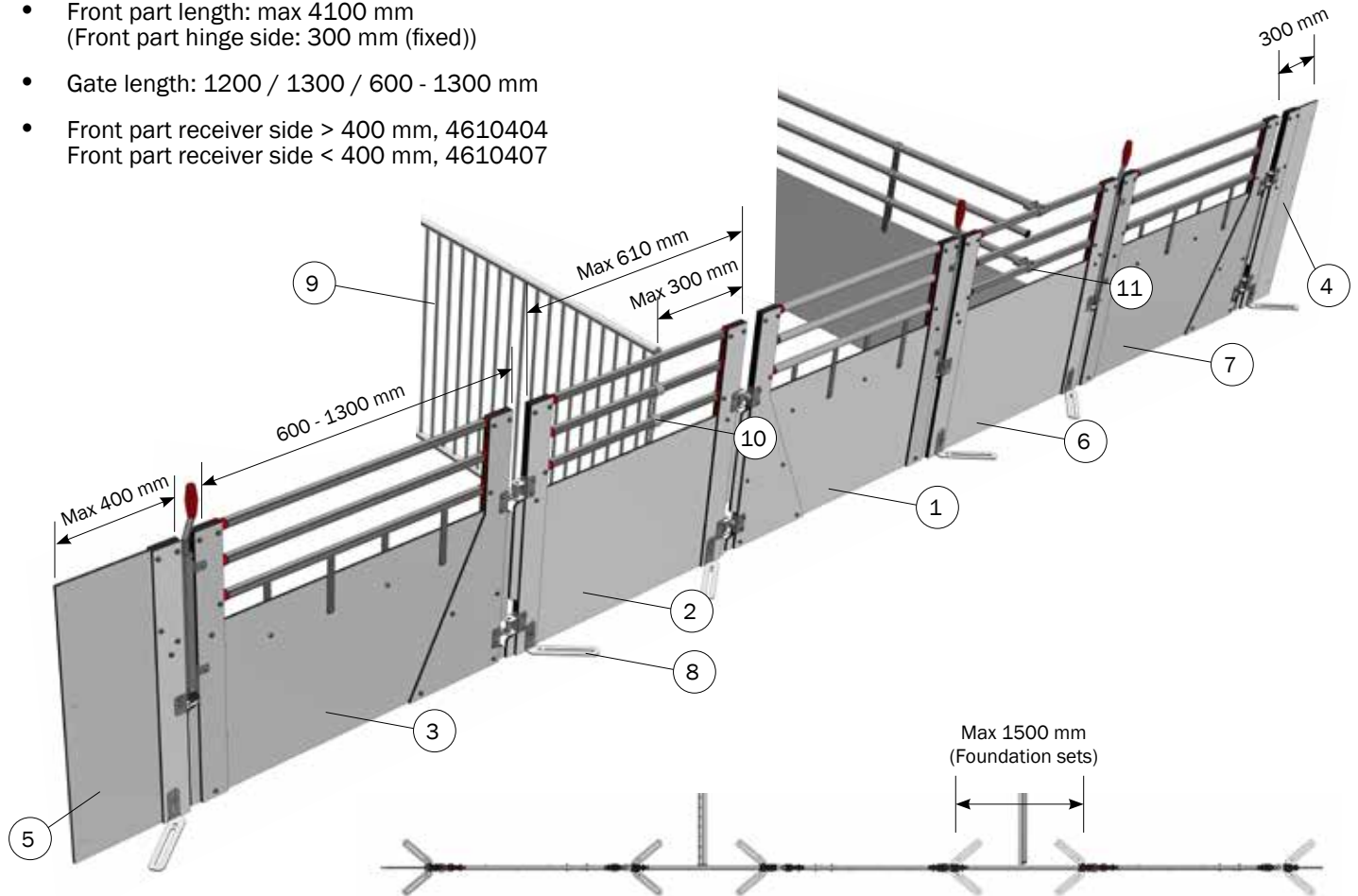


| BILL OF MATERIALS | | | |
|-------------------|----------|---|------|
| | Item no. | Description | Pcs. |
| | | <i>FIBER_870_995</i> | |
| 1 | 4610406 | FRONT PART H100 PLATE AGAINST WALL/HINGE 300 MM | 1 |
| 2 | 4610420 | GATE H100 PLATE/3 BARS 120 CM WITH PIN LOCK | 1 |
| 3 | 4610404 | FRONT PART H100 PLATE/3 BARS WALL/RECEIVER | 1 |
| 4 | 4610401 | FRONT PART H100 PLATE/3 BARS HINGE/RECEIVER | 1 |
| 5 | 4610435 | GATE H100 PLATE/3 BARS 60-130CM WITH PIN LOCK | 1 |
| 6 | 4500655 | LOOSE FOUNDATION SET, LEFT AND RIGHT, FOR BOARD PROFILE | 5 |
| 7 | 4150873 | STAINLESS STEEL CONTACT GRILLE H:1000 L:1000 | 1 |
| 8 | 38534 | MOUNTING KIT FOR GRILLE COMP-O-FLEX AGAINST FRONT PART | 1 |

Fiber_870_995

NOTE:

- Plate length: max 4100 mm
(The plate length should be near 4100 mm to avoid waste)
- Distance between foundation sets: max 1500 mm
(If the distance exceeds 1500 mm, a support foundation is mounted)
- Bar length: max 6000 mm
(Stiffening bracket per max 1400 mm)
- Front part length: max 4100 mm
(Front part hinge side: 300 mm (fixed))
- Gate length: 1200 / 1300 / 600 - 1300 mm
- Front part receiver side > 400 mm, 4610404
Front part receiver side < 400 mm, 4610407



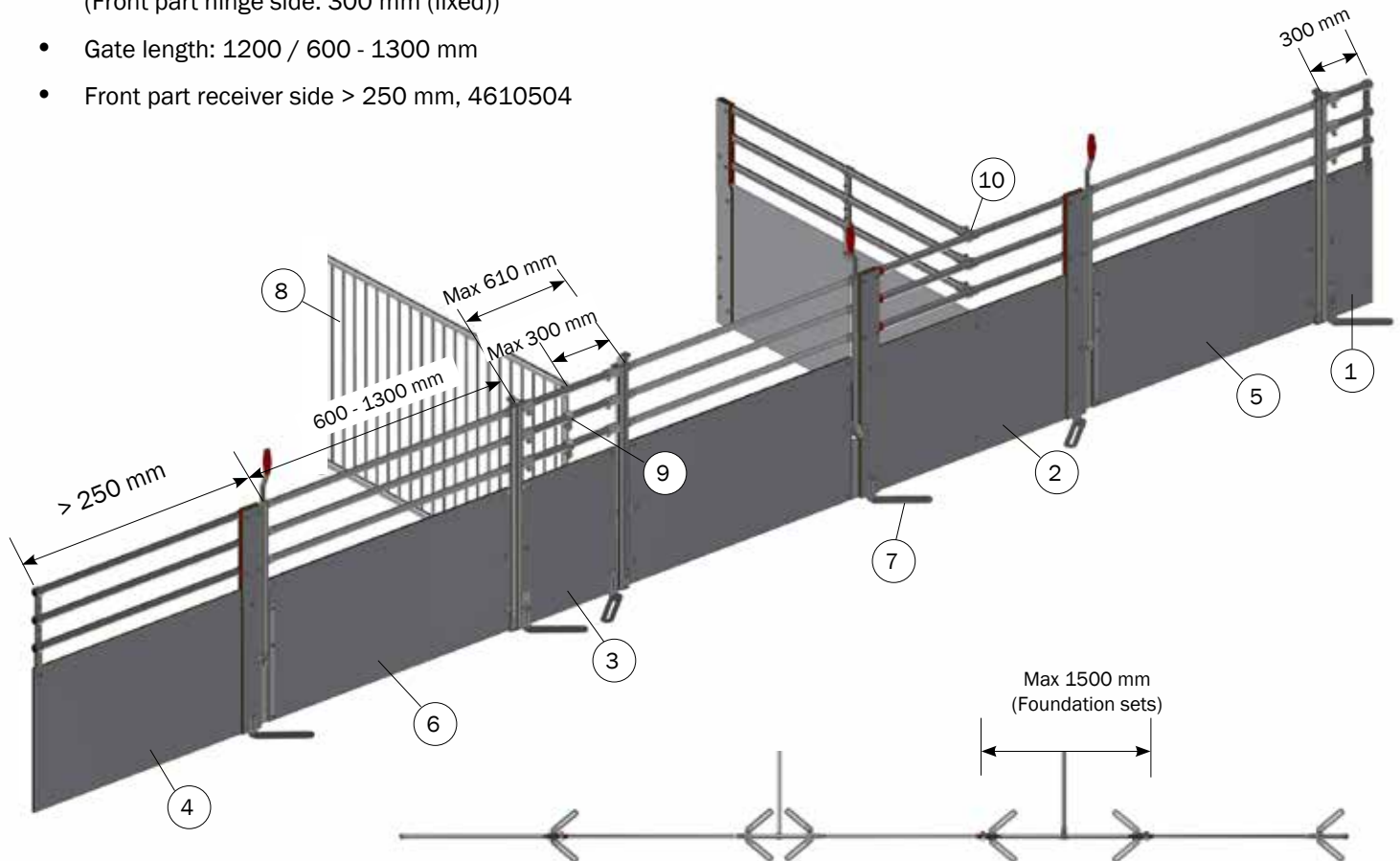
BILL OF MATERIALS

| | Item no. | Description | Pcs. |
|----|----------|---|------|
| | | <i>FIBER_870_995</i> | |
| 1 | 4610420 | GATE H100 PLATE/3 BARS 120 CM WITH PIN LOCK | 1 |
| 2 | 4610402 | FRONT PART H100 PLATE/3 BARS HINGE/HINGE | 1 |
| 3 | 4610435 | GATE H100 PLATE/3 BARS 60-130CM WITH PIN LOCK | 1 |
| 4 | 4610406 | FRONT PART H100 PLATE AGAINST WALL/HINGE 300 MM | 1 |
| 5 | 4610407 | FRONT PART H100 PLATE AGAINST WALL/RECEIVER MAX. 400 MM | 1 |
| 6 | 4610403 | FRONT PART H100 PLATE/3 BARS RECEIVER/RECEIVER | 1 |
| 7 | 4610430 | GATE H100 PLATE/3 BARS 120 CM WITH PIN LOCK | 1 |
| 8 | 4500655 | LOOSE FOUNDATION SET, LEFT AND RIGHT, FOR BOARD PROFILE | 6 |
| 9 | 4150873 | STAINLESS STEEL CONTACT GRILLE H:1000 L:1000 | 1 |
| 10 | 38534 | MOUNTING KIT FOR GRILLE COMP-O-FLEX AGAINST FRONT PART | 1 |
| 11 | 38553 | MOUNTING KIT PLATE/2 BARS WITHOUT U-PROFILE AGAINST FRONT PAR | 1 |

Fiber_870_995

NOTE:

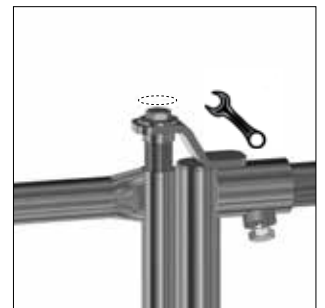
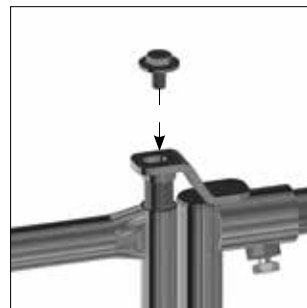
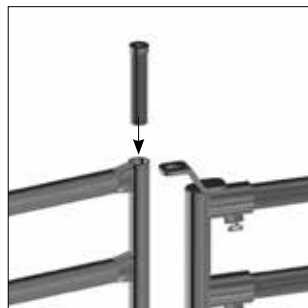
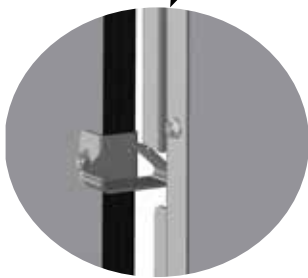
- Plate length: max 4100 mm
(The plate length should be near 4100 mm to avoid waste)
- Distance between foundation sets: max 1500 mm
(If the distance exceeds 1500 mm, a support foundation is mounted)
- Bar length: max 6000 mm
(Stiffening bracket per max 1400 mm)
- Front part length: max 4100 mm
(Front part hinge side: 300 mm (fixed))
- Gate length: 1200 / 600 - 1300 mm
- Front part receiver side > 250 mm, 4610504



BILL OF MATERIALS

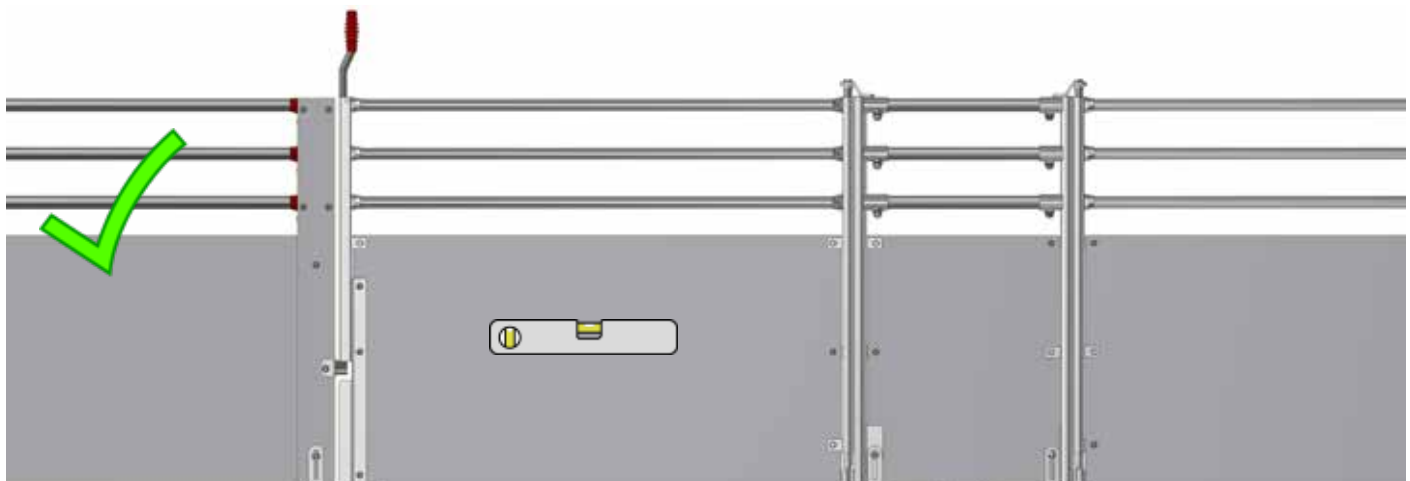
| | Item no. | Description | Pcs. |
|----|----------|--|------|
| | | <i>FIBER_870_995</i> | |
| 1 | 4610506 | PLATE FRONT PART HINGE/WALL H1000 | 1 |
| 2 | 4610503 | PLATE FRONT PART RECEIVER/RECEIVER H1000 | 1 |
| 3 | 4610502 | PLATE FRONT PART HINGE/HINGE H1000 | 1 |
| 4 | 4610504 | PLATE FRONT PART RECEIVER/WALL H1000 | 1 |
| 5 | 4610500 | PLATE GATE H1000 LENGTH 1200 MM | 1 |
| 6 | 4610510 | GATE H1000 PLATE LENGTH 60-130 CM | 1 |
| 7 | 4500655 | LOOSE FOUNDATION SET LEFT AND RIGHT FOR PLATE | 6 |
| 8 | 4150873 | STAINLESS STEEL CONTACT GRILLE H1000 L1000 | 1 |
| 9 | 38534 | MOUNTING KIT FOR GRILLE COMP-O-FLEX AGAINST FRONT PART | 1 |
| 10 | 38552 | MOUNTING KIT PLATE/2 BARS WITHOUT UPROFILE AGAINST FRONT PAR | 1 |

Adjusting the gate



To tighten to horizontal position of the gate.

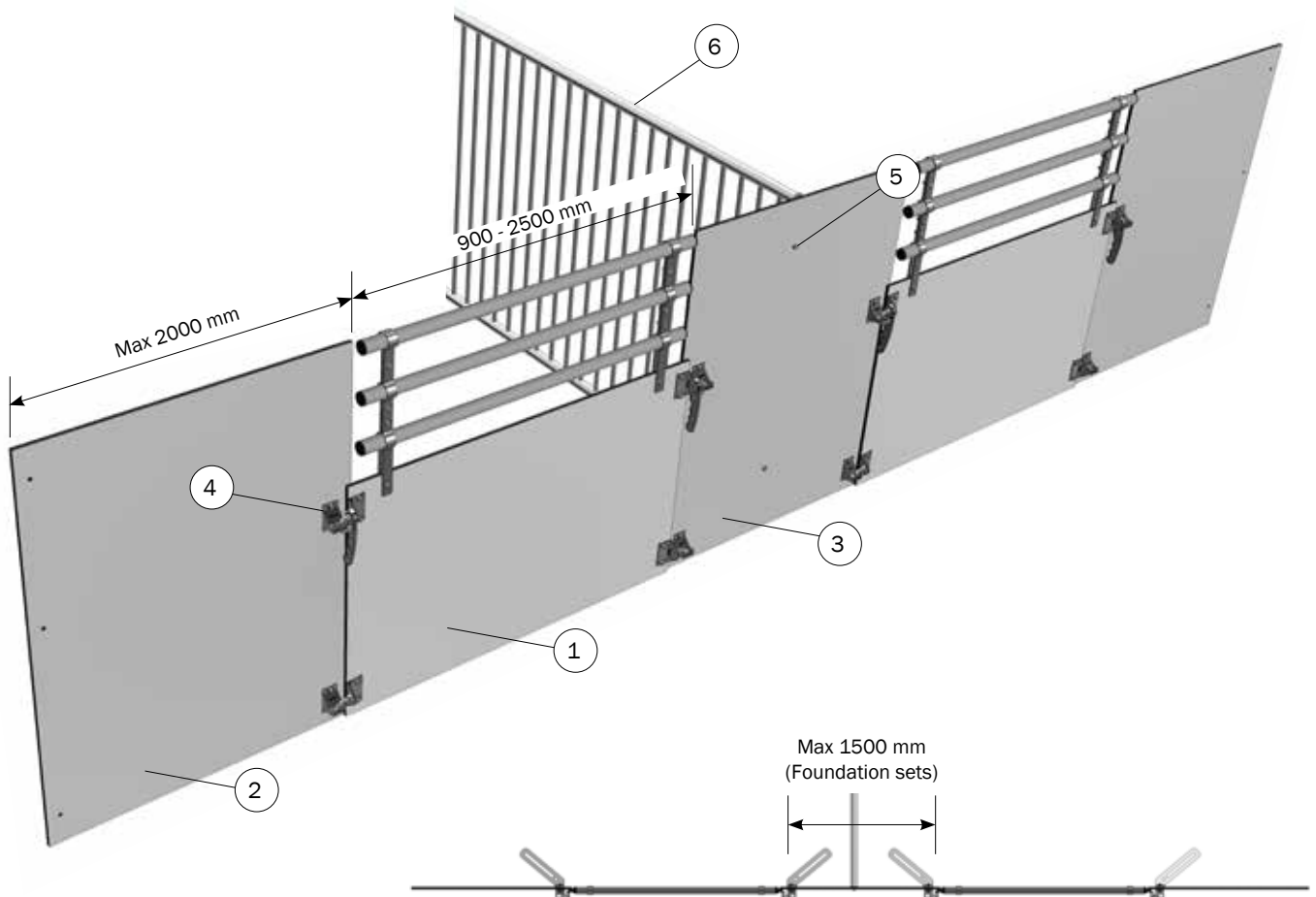
We recommend using grease for acid protection housing (9990099)



Fiber_870_995

NOTE:

- Plate length: max 4100 mm
(The plate length should be near 4100 mm to avoid waste)
- Distance between foundation sets: max 1500 mm
(If the distance exceeds 1500 mm, a support foundation is mounted)
- Bar length: max 6000 mm
(Stiffening bracket per max 1400 mm)
- Front part length (full length): max 2000 mm
- Full length gate: 900 - 2500 mm



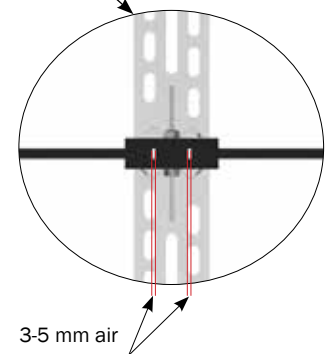
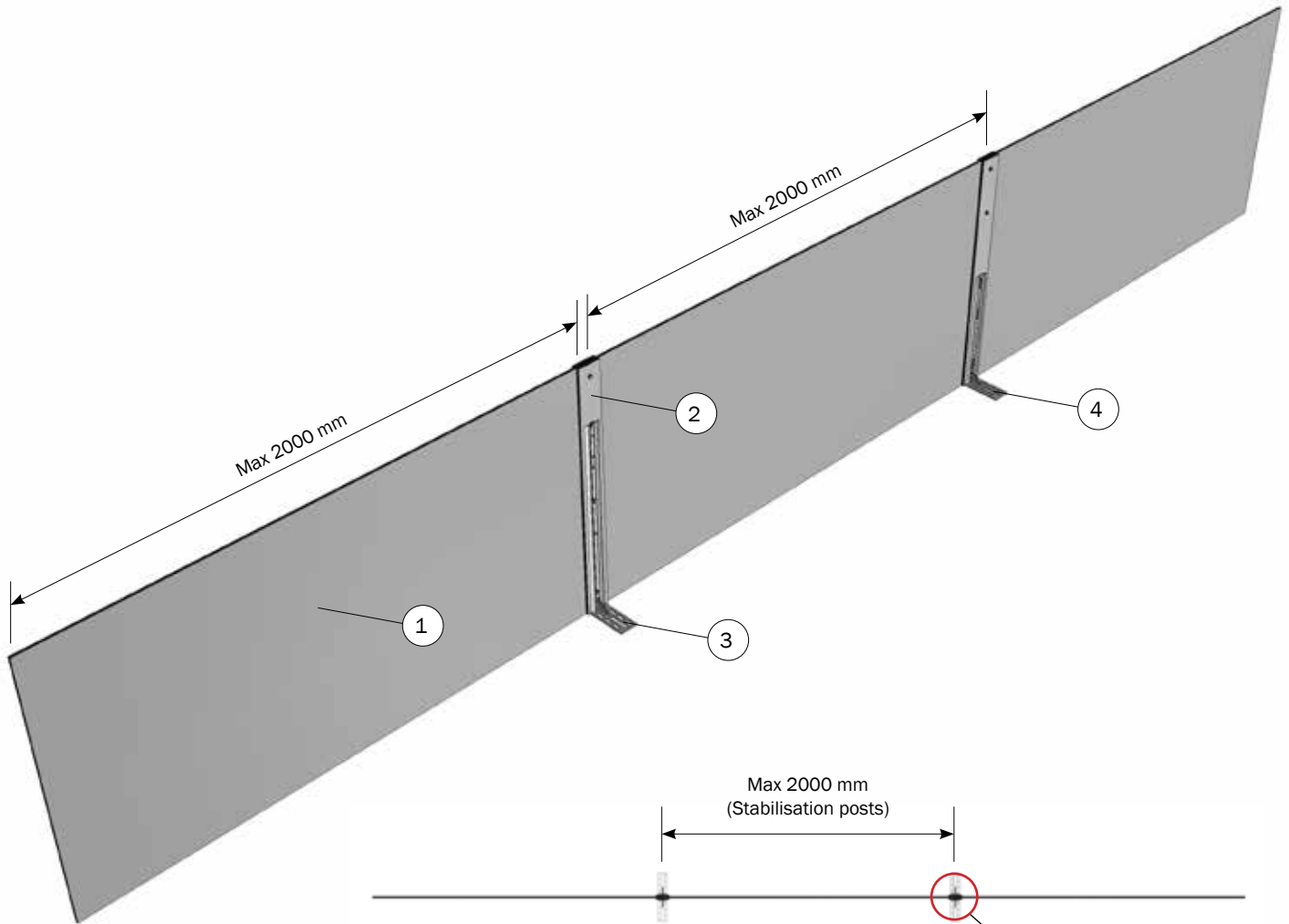
BILL OF MATERIALS

| | Item no. | Description | Pcs. |
|---|----------|---|------|
| | | <i>FIBER_870_995</i> | |
| 1 | 4610465 | GATE FULL PEN H100 PLATE/3 BARS 90-250 CM | 2 |
| 2 | 4660471 | FRONT PART H100 PLATE GATE FULL PEN FOR 2 HINGES | 2 |
| 3 | 4660473 | FRONT PART H100 PLATE GATE FULL PEN FOR 4 HINGES | 1 |
| 4 | 4500644 | MOUNTING KIT FOR FRONT PART FOR GATE FULL PEN, INCL. FOUNDATION PLATE | 2 |
| 5 | 4500452 | MOUNTING KIT FOR GRILL/FRONT PART | 1 |
| 6 | 4150873 | STAINLESS STEEL CONTACT GRILLE H:1000 L:1000 | 1 |

Fiber_870_995

NOTE:

- Plate length: max 4100 mm
(The plate length should be near 4100 mm to avoid waste)
- Distance between stabilisation posts: max 2000 mm
For full-height plates, use stabilisation posts 38909 or 38917
- Mount stabilisation posts on both sides of all assembly posts
(Do not mount stabilisations posts directly on the plate, unless it is the outermost plate against e.g. a wall)



| BILL OF MATERIALS | | | |
|-------------------|----------|---|------|
| | Item no. | Description | Pcs. |
| | | <i>FIBER_870_995</i> | |
| 1 | 4660451 | WASHING WALL H100 PLATE | 3 |
| 2 | 4610448 | ASSEMBLY KIT FOR WASHING WALL H100 | 2 |
| 3 | 38909 | STABILISATION POST H77,4 CM | 2 |
| 4 | 38917 | STABILISATION POST H50 CLEAN-O-FLEX 49,5 CM | 2 |

