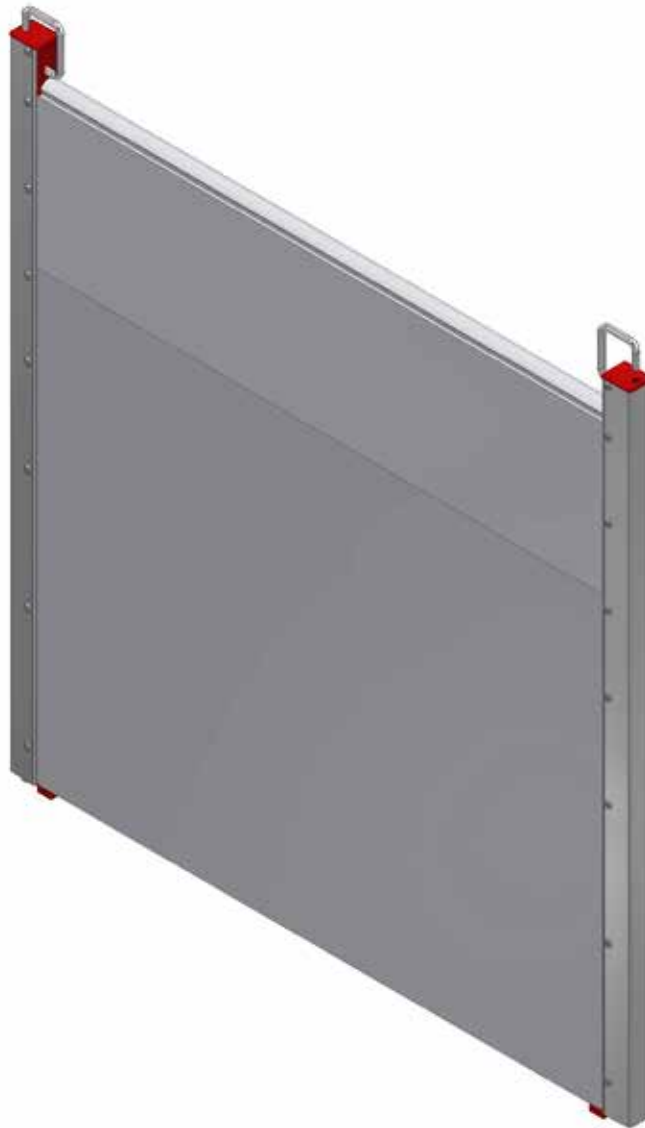


MOUNTING INSTRUCTIONS



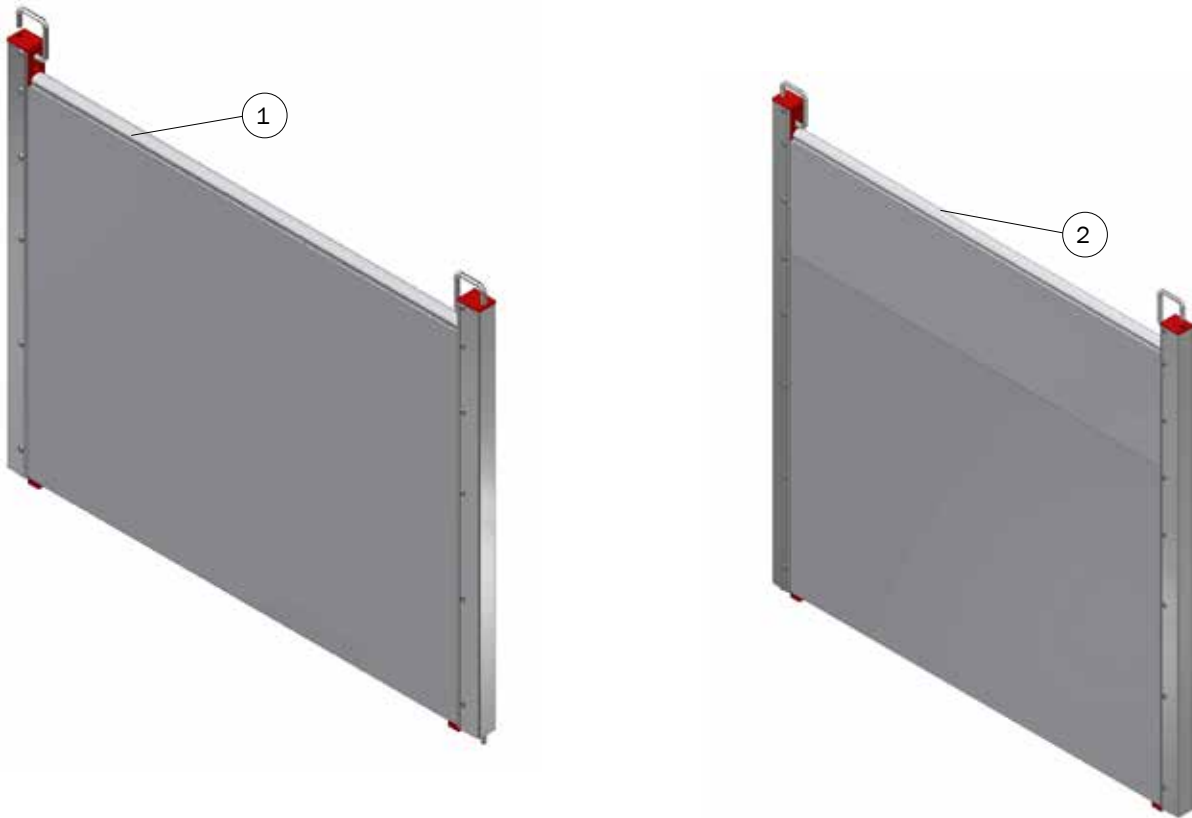
BLOCKING GATE 750/1000 REVERSIBLE



ACO FUNKI A/S
Kirkevænget 5
DK-7400 Herning

Tel. +45 9711 9600
www.acofunki.com
www.egebjerg.com

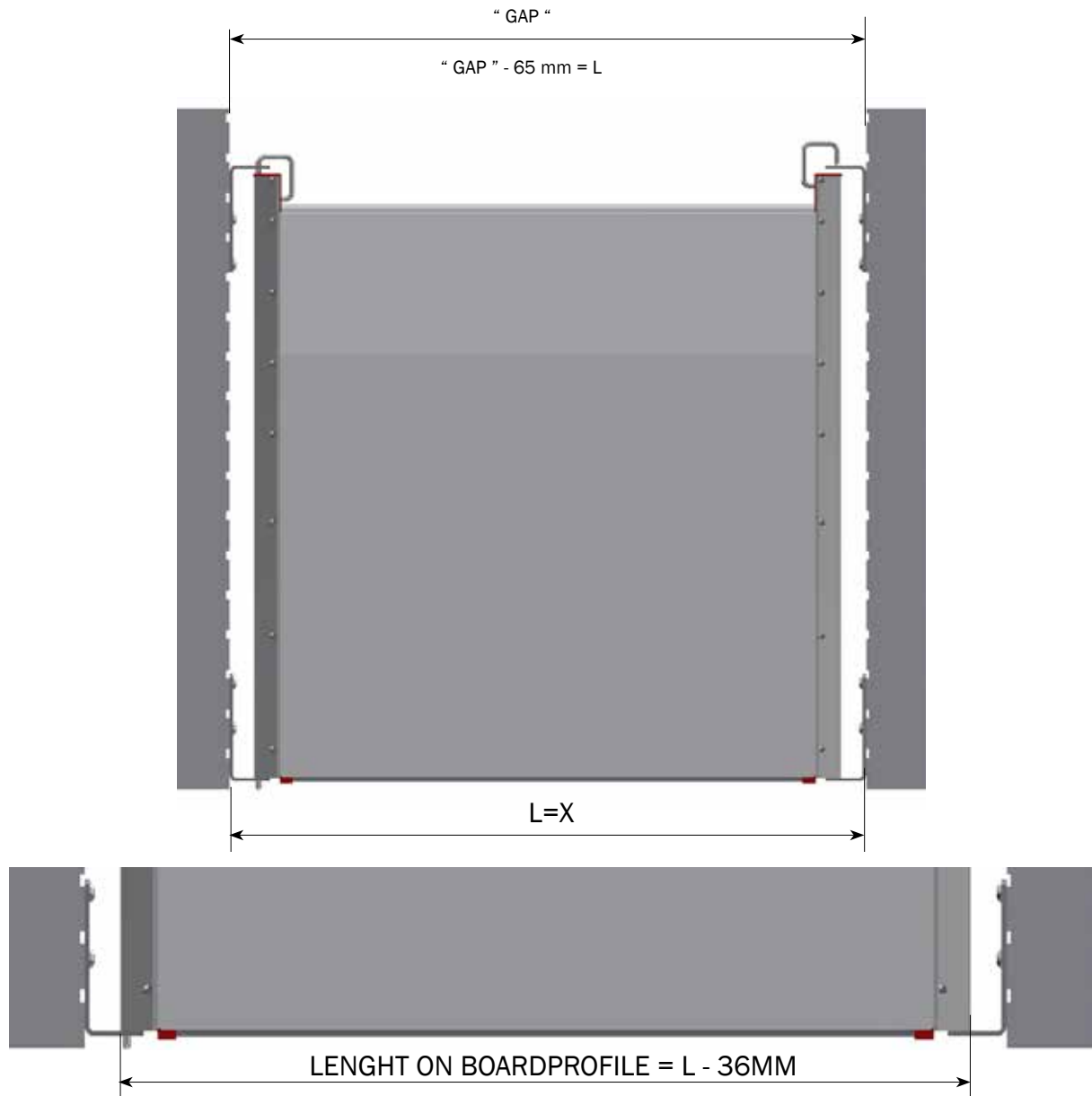
ASSEMBLED BLOCKING GATE



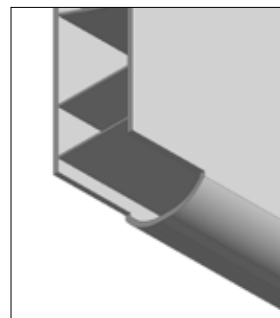
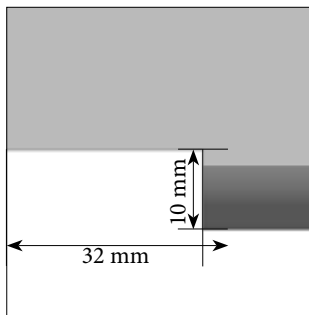
PART LIST

NO.	PCS.	ITEM NO.	DESCRIPTION
1	1	34600	BLOCKING GATE H75 BOARDPROFILE REVERSIBLE
2	1	38600	BLOCKING GATE H100 BOARDPROFILE REVERSIBLE

FOR ADJUSTMENT OF BLOCKING GATE UNASSEMBLED



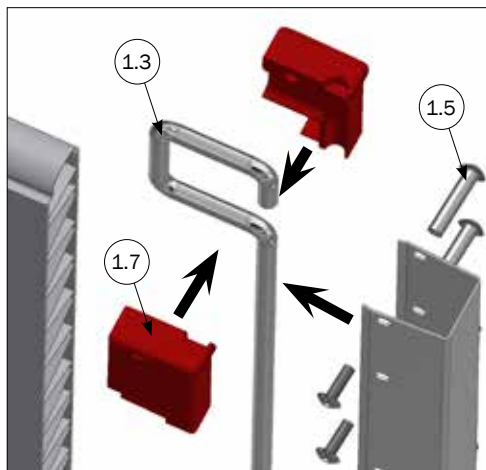
Cut in each sides



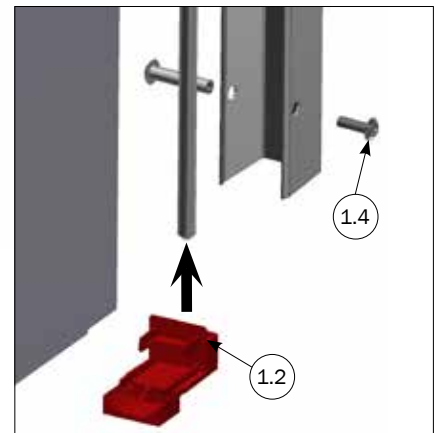
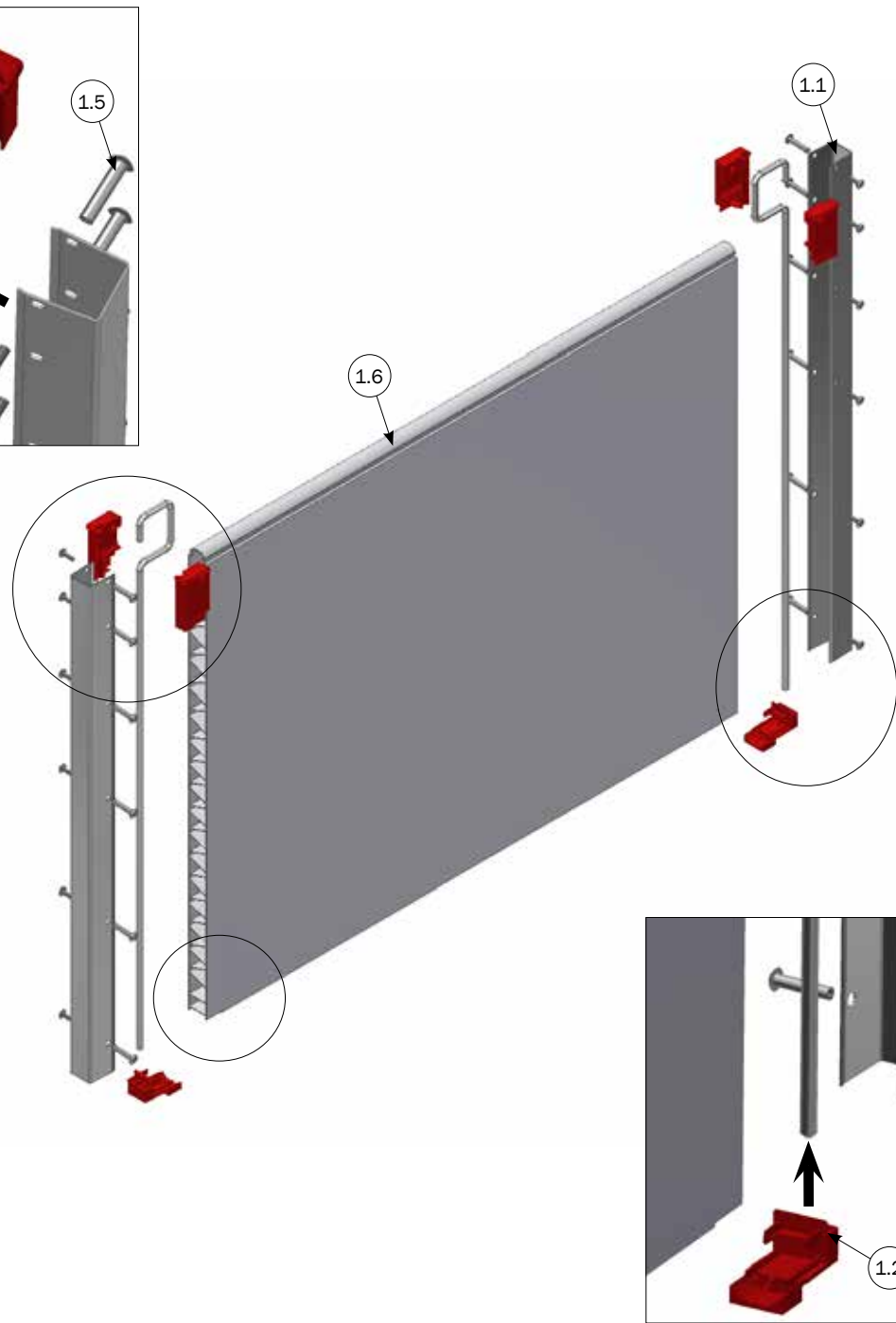
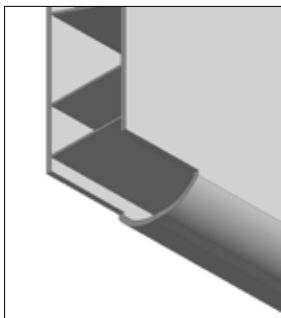
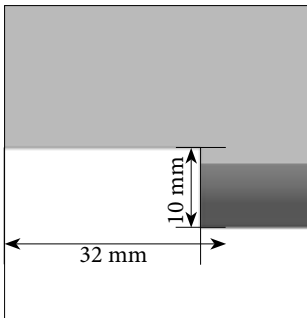
APPLY FOR THE FOLLOWING:

PART LIST			
NO.	PCS.	ITEM NO.	DESCRIPTION
1	1	34600	BLOCKING GATE H75 BOARDPROFILE REVERSIBLE
2	1	38600	BLOCKING GATE H100 BOARDPROFILE REVERSIBLE

PARTS LIST FOR BLOCKING GATE H75 UNASSEMBLED



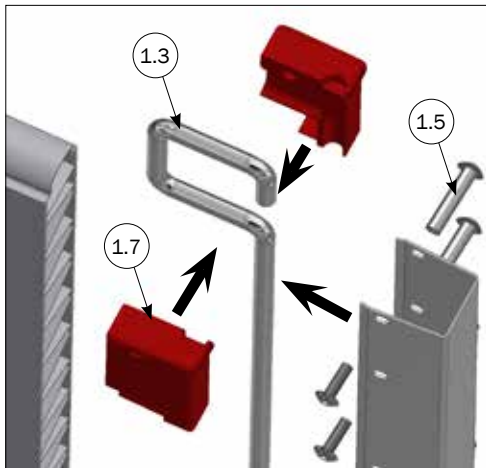
Cut in each sides



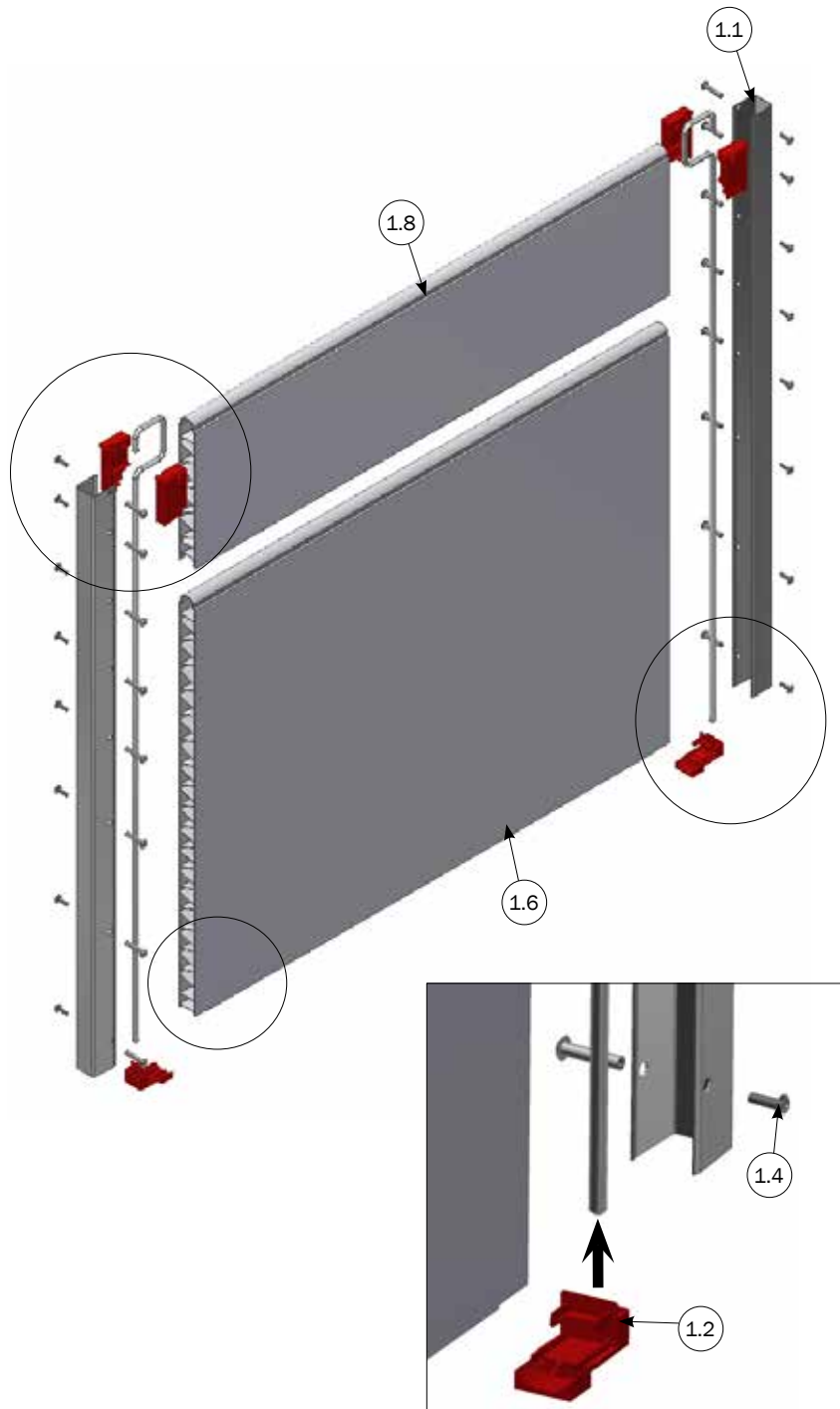
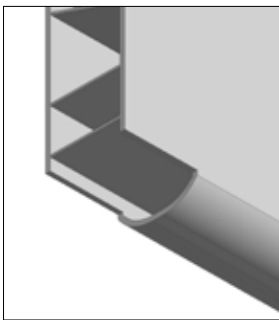
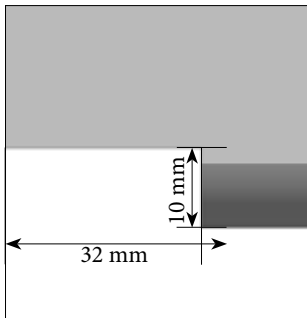
PART LIST

NO.	PCS.	ITEM NO.	DESCRIPTION
1	1	34600	BLOCKING GATE H75 BOARDPROFILE REVERSIBLE
1.1	2	34787	U-PROFILE F/HINGED REAR GATE H75
1.2	2	30032	PLUG PANEL BOTTOM HINGED REAR PART
1.3	2	34835	SPRYDER OPL. BAGSTYKKE H75 CM
1.4	12	39106020	CONNECTION SCREW M6X20 STAINLESS TORX 30
1.5	12	39206037	SPLICING SLEEVE M6X37 STAINLESS TORX 30
1.6	LBM	7910105	BOARD PROFILE 35X750 MM SPEC. LENGTH
1.7	2	30034	PLUG PANEL TOP HINGED REAR PART

PARTS LIST FOR BLOCKING GATE H100 UNASSEMBLED

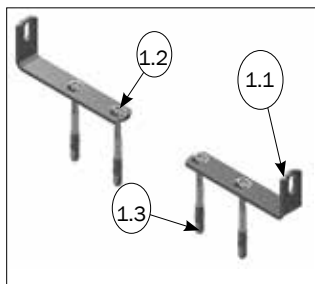
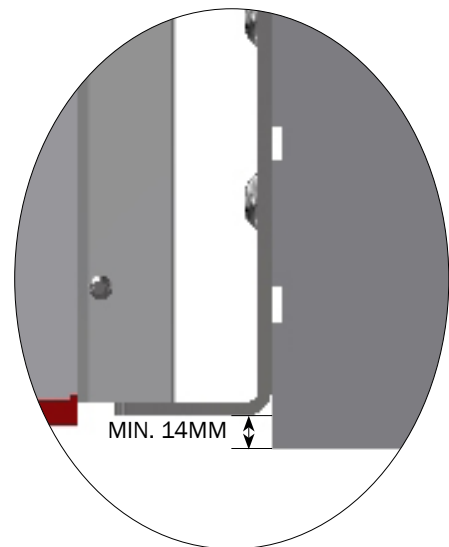
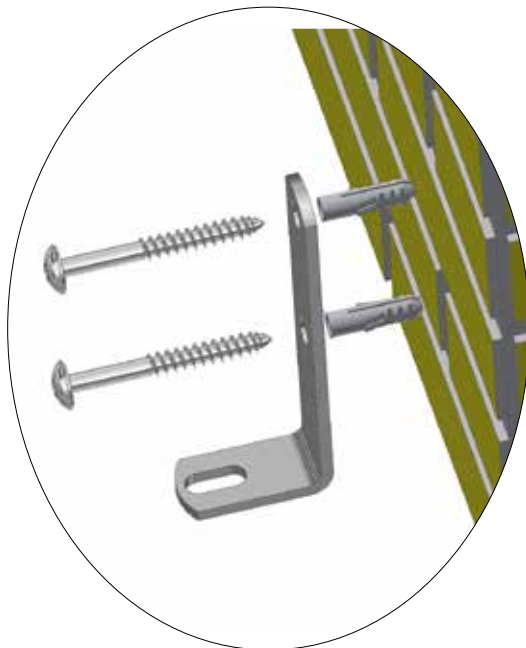
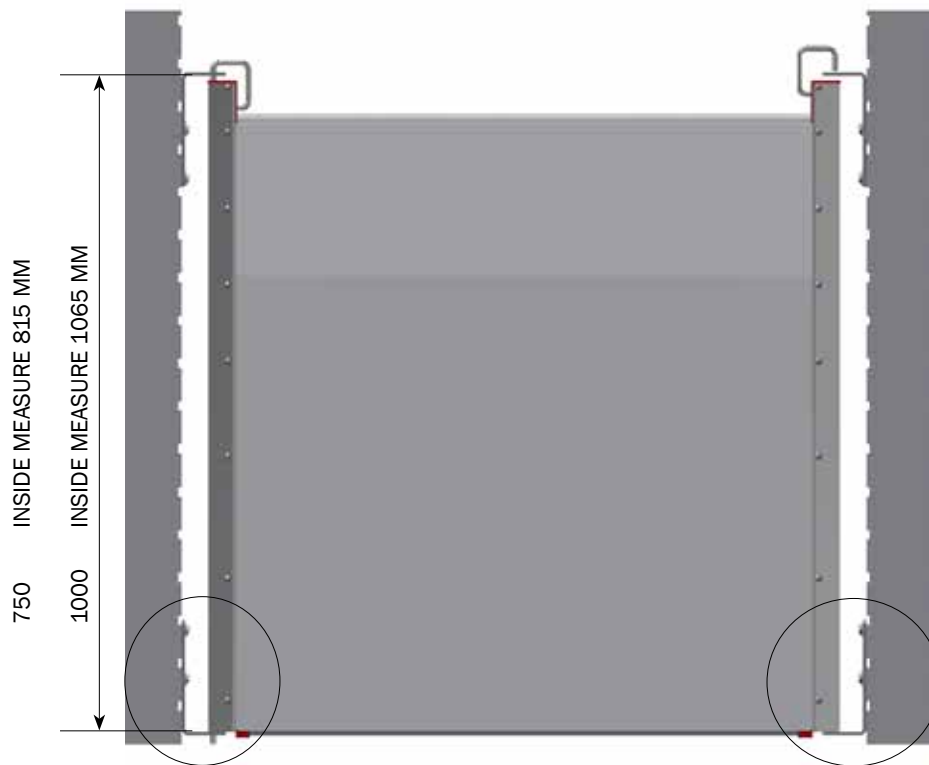


Cut in each sides



PART LIST			
NO.	PCS.	ITEM NO.	DESCRIPTION
1	1	38600	BLOCKING GATE H100 BOARDPROFILE REVERSIBLE
1.1	2	38788	U-PROFILE FOR GATE REAR PCS. H100
1.2	2	30032	PLUG PANEL BOTTOM HINGED REAR PART
1.3	2	38837	SPRYDER 100 CM OPL.BAGSTYKKE
1.4	16	39106020	CONNECTION SCREW M6X20 STAINLESS TORX 30
1.5	16	39206037	SPLICING SLEEVE M6X37 STAINLESS TORX 30
1.6	LBM	7910105	BOARD PROFILE 35X750 MM SPEC. LENGTH
1.7	2	30034	PLUG PANEL TOP HINGED REAR PART
1.8	LBM	7910099	BOARD PROFILE 35X250 MM SPEC. LENGTH

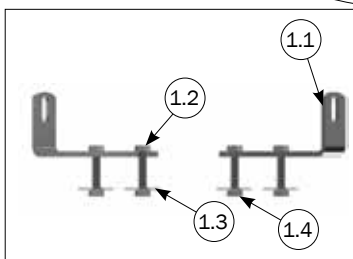
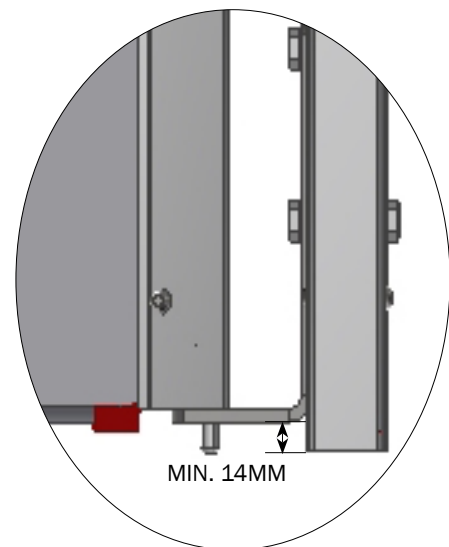
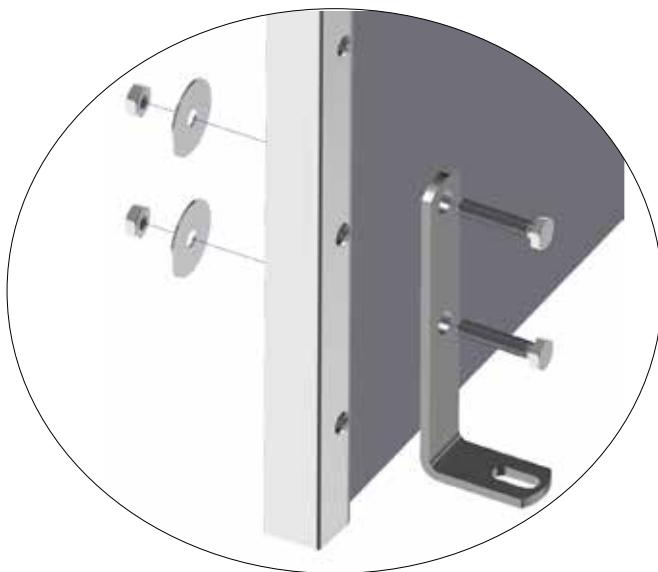
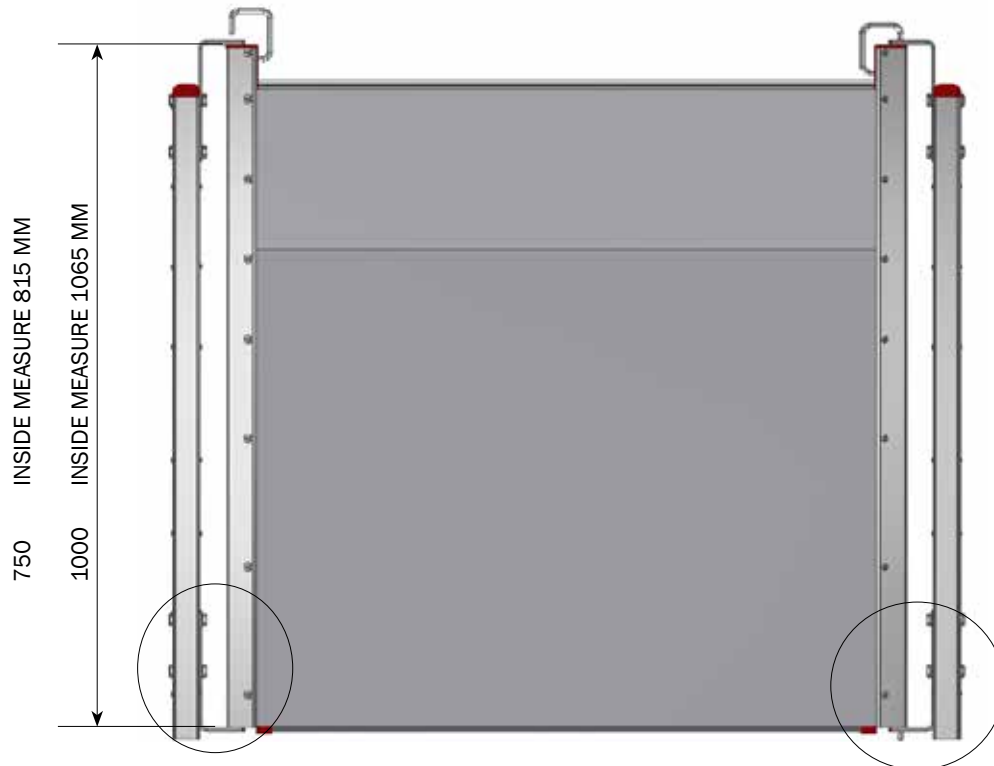
MOUNTING OF BLOCKING GATE AGAINST WALL



PART LIST

NO.	PCS.	ITEM NO.	DESCRIPTION
1	1	41895	BRACKET FOR REVERSIBLE BLOCKING GATE H75/H100 FOR MOUNTING ON WALL
1.1	2	41883	BRACKET DOUB.BLOCK GATE VERTICAL
1.2	4	67444	10 X 70 BUTTON HEAD TORX 50 STAINLESS STEEL
1.3	4	39900001	WALL PLUG 12X60 MM

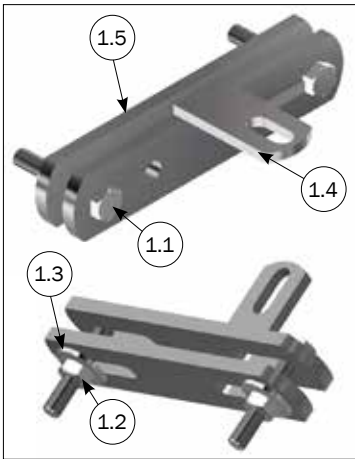
MOUNTING OF BLOCKING GATE AGAINST BOARDPROFILE



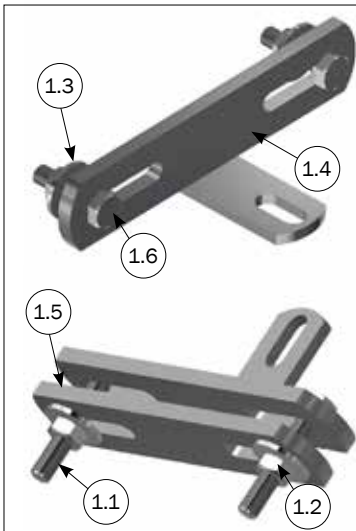
PART LIST

NO.	PCS.	ITEM NO.	DESCRIPTION
1	1	41898	BRACKET FOR REVERSIBLE BLOCKING GATE FOR MOUNTING ON BOARDPROFILE
1.1	2	41883	BRACKET DOUB.BLOCK GATE VERTICAL
1.2	4	30310050	SET SCREW M10X50 A2 DIN 933
1.3	4	20037	MASTER CLAMP WASHER Ø10,5/45 1,5 A2
1.4	4	33510017	NUT M10 A2 DIN 934

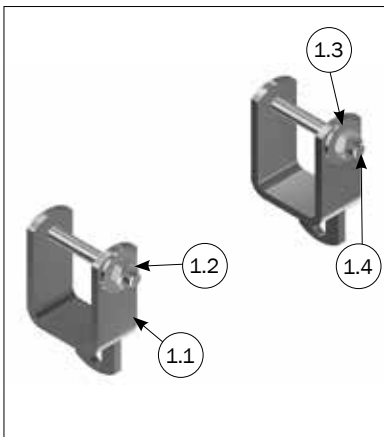
PART LIST



PART LIST			
NO.	PCS.	ITEM NO.	DESCRIPTION
1	1	41890	BRACKET FOR REVERSIBLE BLOCKING GATE FOR MOUNTING ON GRILLE
1.1	4	30310060	SET SCREW M10X50 A2 DIN 933
1.2	4	33510017	NUT M10 A2 DIN 934
1.3	4	35900085	NUT WASHER Ø10X10,5/30/2,5 A2DIN 9021
1.4	2	41880	HOLDS T/ DOBB.SP.GATE HORIZONTALLY
1.5	2	18290	BACK PLATE 200 MM 2 Ø10 X 50



PART LIST			
NO.	PCS.	ITEM NO.	DESCRIPTION
1	1	41891	BRACKET FOR REVERSIBLE BLOCKING GATE FOR MOUNTING ON GRILLE AND PLATE
1.1	2	30310060	SET SCREW M10X60 A2 DIN 933
1.2	4	33510017	NUT M10 A2 DIN 934
1.3	4	35900085	NUT WASHER Ø10X10,5/30/2,5 A2DIN 9021
1.4	2	41880	HOLDS T/ DOBB.SP.GATE HORIZONTALLY
1.5	1	18290	BACK PLATE 200 MM 2 Ø10 X 50
1.6	2	30310040	SET SCREW M10X40 A2 DIN 933



PART LIST			
NO.	PCS.	ITEM NO.	DESCRIPTION
1	1	41896	BRACKET FOR REVERSIBLE BLOCKING GATE FOR MOUNTING ON POST
1.1	2	41884	BRACKET DOUB. GUID.GATE F/50 POST
1.2	2	33510017	NUT M10 A2 DIN 934
1.3	2	35900085	NUT WASHER Ø10X10,5/30/2,5 A2DIN 9021
1.4	2	32510080	MACHINE SCREW 10X80 A2 QUAL. 10.9 DIN 931