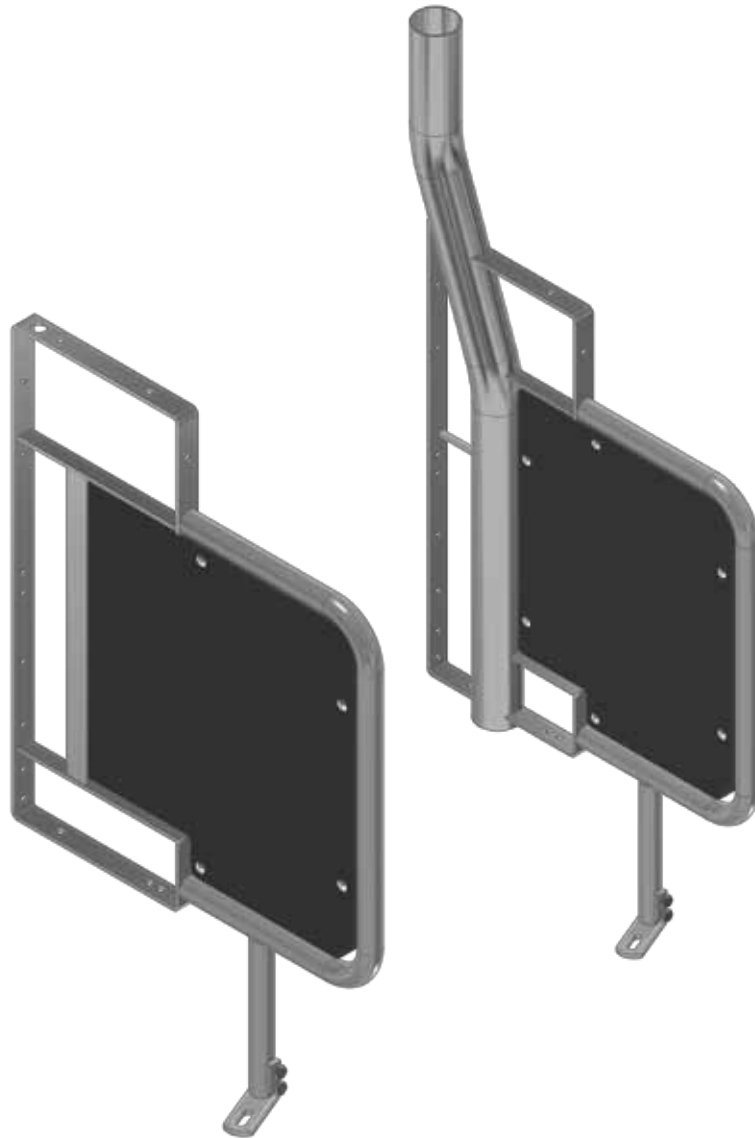


MOUNTING INSTRUCTION



FEEDPARTITION



ACO FUNKI A/S

Kirkevænget 5
DK-7400 Herning

Tel. +45 9711 9600

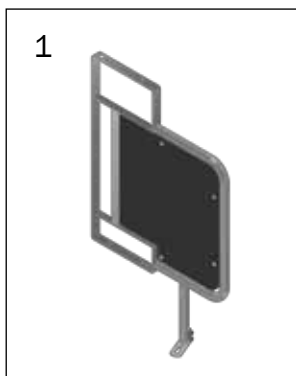
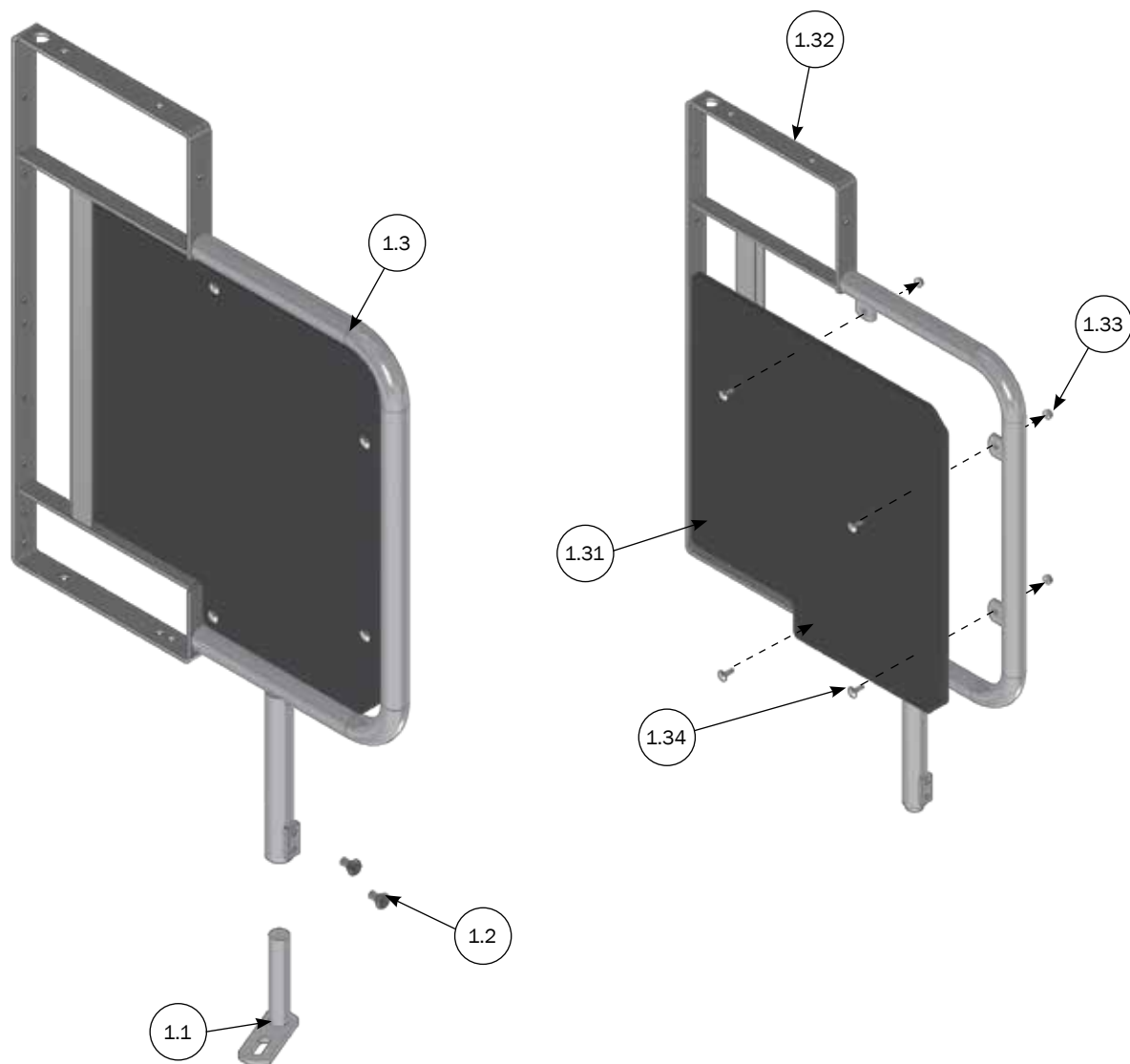
Fax +45 9711 9677

www.acofunki.com

FUNKI

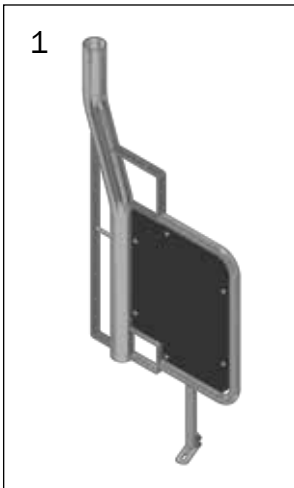
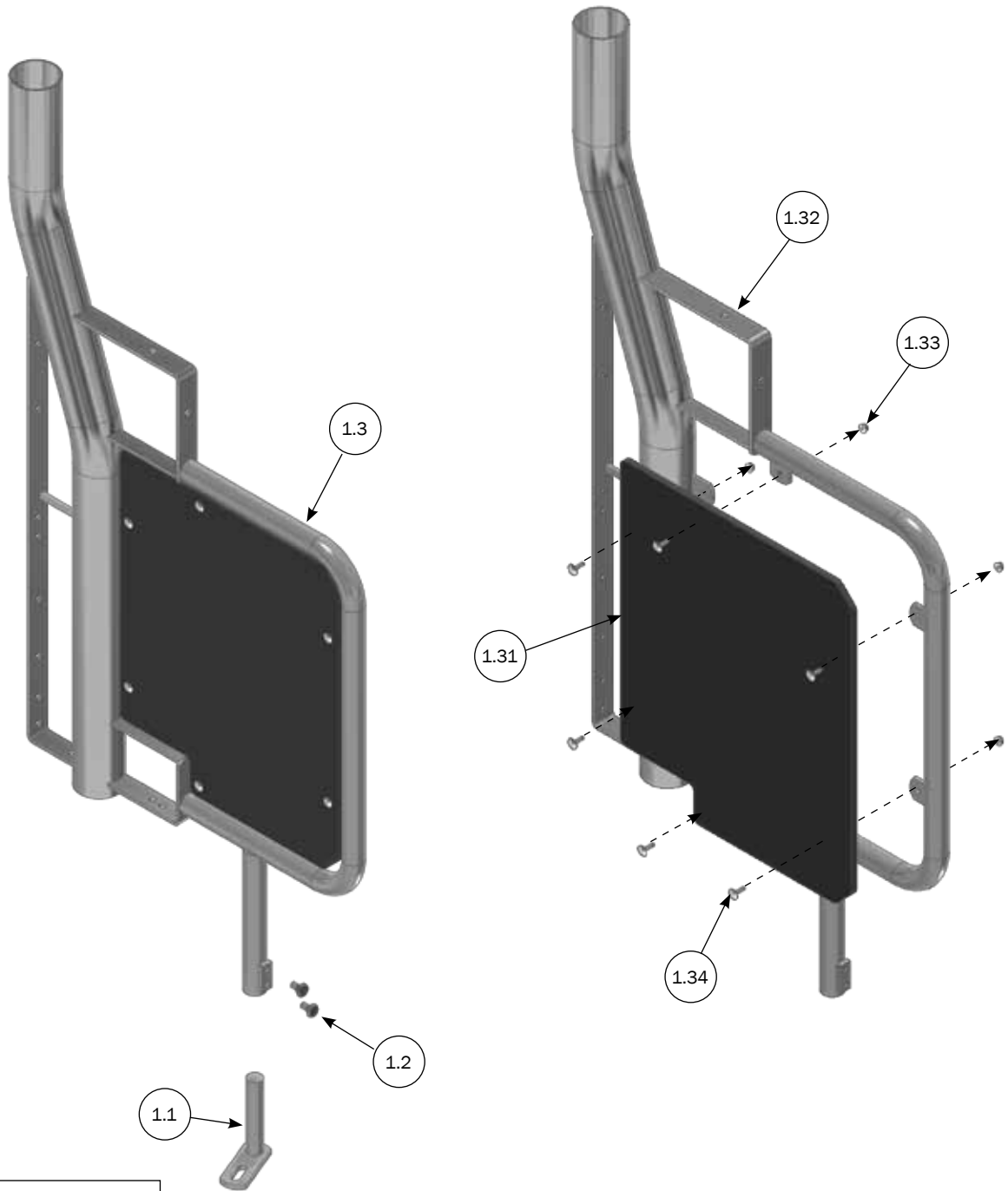
DANISH DESIGN | GERMAN QUALITY | GLOBAL EXPERIENCE

Feedpartition



PARTS LIST			
No	Pcs	Item no	Description
1		1100061	FEEDPARTITION WITH PLATE
1.1	1	1215078	ADJUSTABLE POST Ø25X125 MM
1.2	2	30310016	SET SCREW M10X16 A2 DIN 933
1.3	1	1110061	FEEDPARTITION WITH PLATE
1.31		8460661	PLATE FOR FEEDPARTITION
1.32		1120061	FEEDPARTITION
1.33		33506011	COLLAR HEAD NUT M6 A2 DIN 6923
1.34		36306020	MUSHROOMHEADED BOLT M6X20 A2 DIN 603

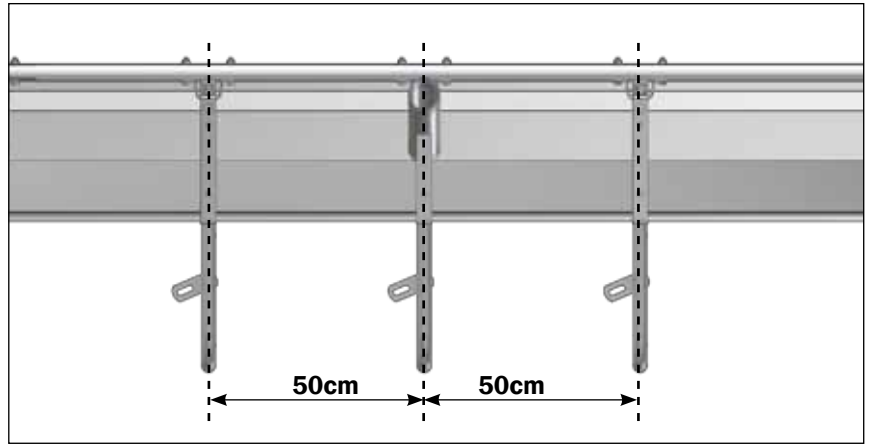
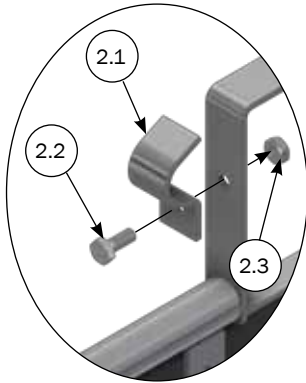
Feedpartition with downpipe and plate



PARTS LIST			
No	Pcs	Item no	Description
1		1100062	FEEDPARTITION WITH DOWNPIPE AND PLATE
1.1	1	1215078	ADJUSTABLE POST Ø25X125 MM
1.2	2	30310016	SET SCREW M10X16 A2 DIN 933
1.3	1	1110062	FEEDPARTITION WITH DOWNPIPE AND PLATE
1.31		8460662	PLATE FOR FEEDPARTITION WITH DOWNPIPE
1.32		1120062	FEEDPARTITION WITH DOWNPIPE
1.33		33506011	COLLAR HEAD NUT M6 A2 DIN 6923
1.34		36306020	MUSHROOMHEADED BOLT M6X20 A2 DIN 603

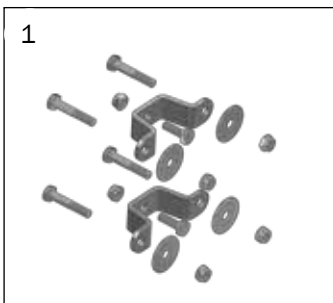
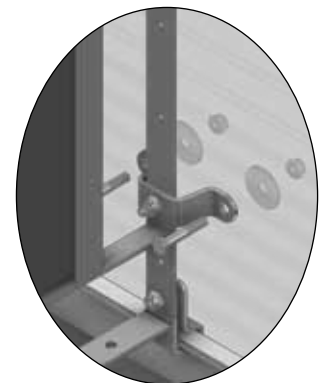
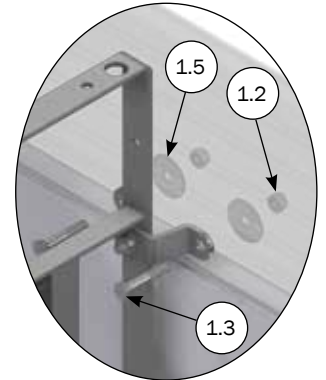
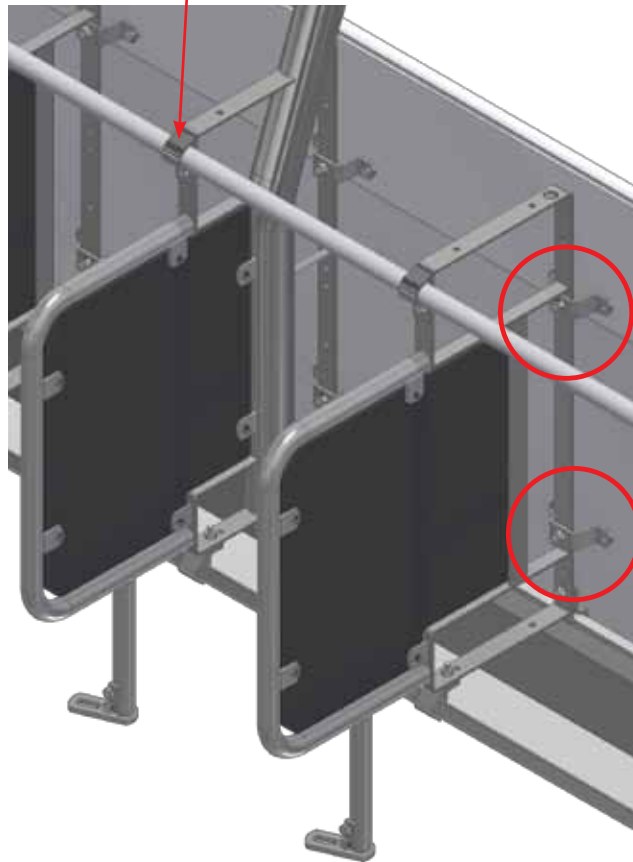
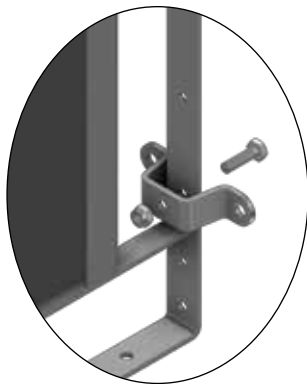
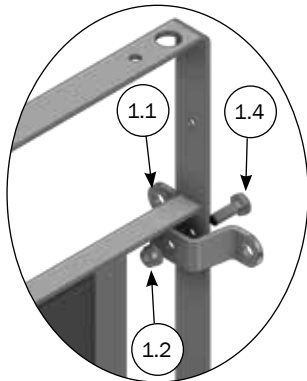
Feedpartition mounted against boardprofile single

For mounting of trough look at:
M-8025_SUSPENDED_SS_TROUGHS



Recommended distance between feedpartitions

Mounting of pipe retainer to stabilization pipe



The trough is mounted before feedpartition is mounted into the boardprofile

PARTS LIST

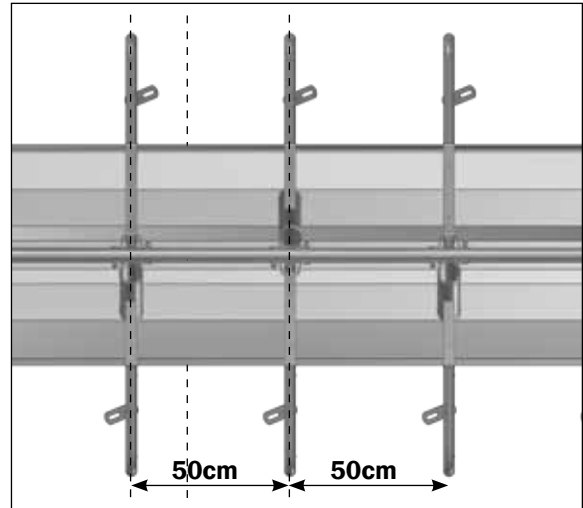
No	Pcs	Item no	Description
1	1	1100073	MOUNTING SET FOR FEEDPARTITION AGAINST BOARDPROFILE SINGLE
1.1	2	1120056	SUPPORT FOR FEEDPARTITION
1.2	5	33900029	LOCK NUT M10 A2 DIN 985
1.3	4	32510055	MACHINE SCREW M10X55 A2 DIN 93
1.4	1	30310030	SET SCREW M10X30 A2 DIN 933
1.5	4	20037	MASTER CLAMP WASHER Ø10,5/45 1,5 A2

No	Pcs	Item no	Description
*2	1	16376	PIPE RETAINER 1 WITH BOLT AND NUT - 1 PCS.
2.1	1	16375	PIPE RETAINER 1' WITHOUT BOLT
2.2	1	30310025	SET SCREW M10X25 A2 DIN 933
2.3	1	33510017	NUT M10 A2 DIN 934

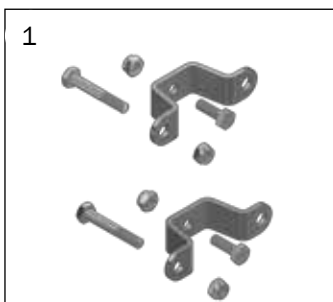
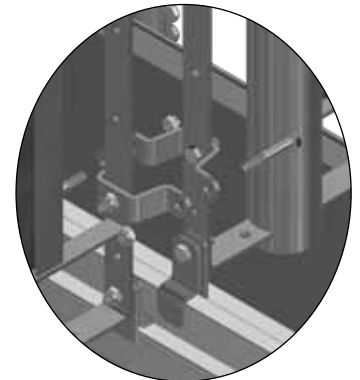
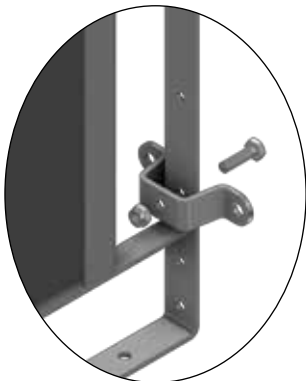
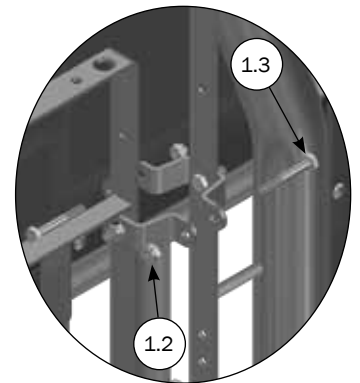
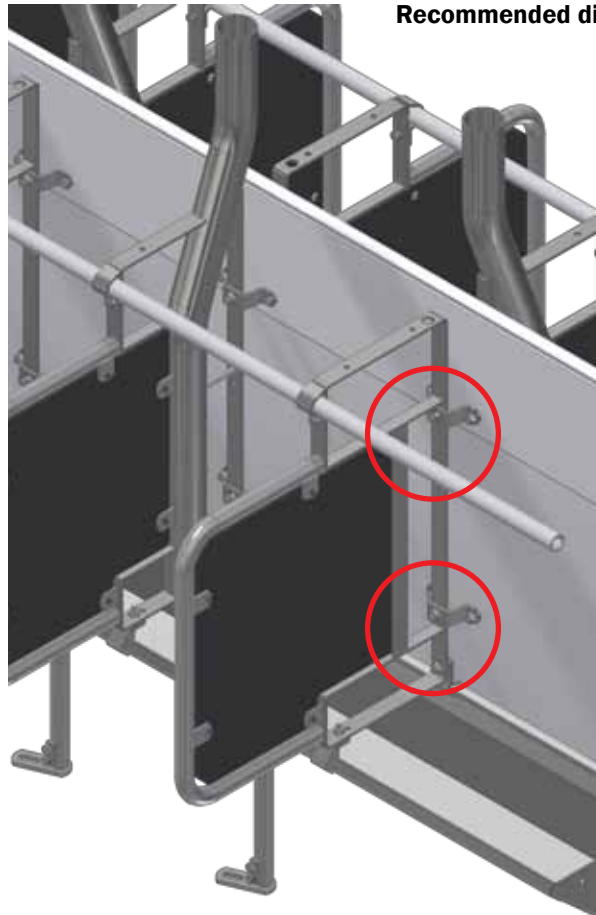
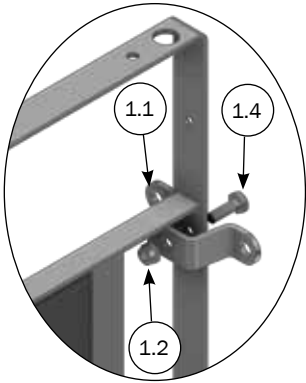
***Sold separately**

Feedpartition mounted against boardprofile double

For mounting of trough look at:
M-8025_SUSPENDED_SS_TROUGHS



Recommended distance between feedpartitions

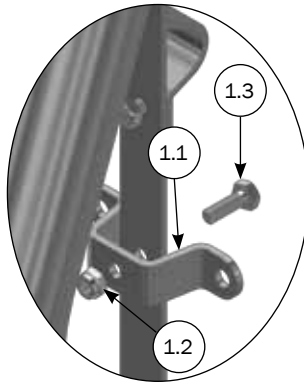
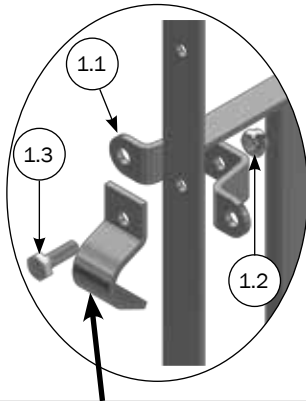


The trough is mounted before feedpartition is mounted into the boardprofile

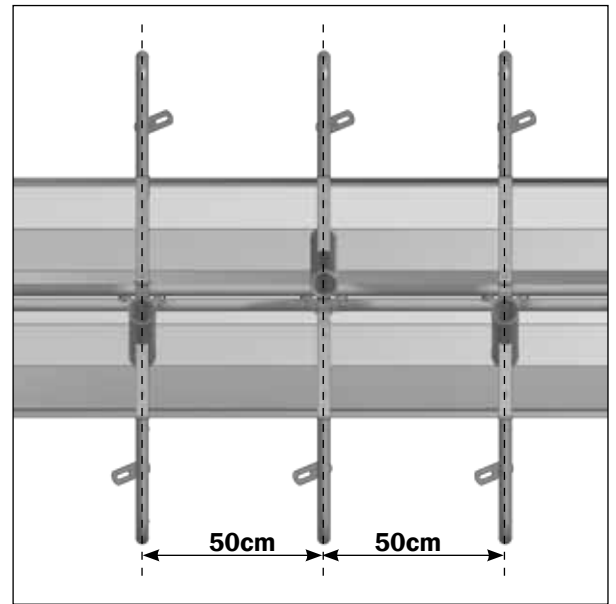
PARTS LIST			
No	Pcs	Item no	Description
1	1	1100072	MOUNTING SET FOR FEEDPARTITION AGAINST BOARDPROFILE DOUBLE
1.1	2	1120056	SUPPORT FOR FEEDPARTITION
1.2	4	33900029	LOCK NUT M10 A2 DIN 985
1.3	2	32510055	MACHINE SCREW M10X55 A2 DIN 93
1.4	2	30310030	SET SCREW M10X30 A2 DIN 933

Feedpartition mounted with frontbars double

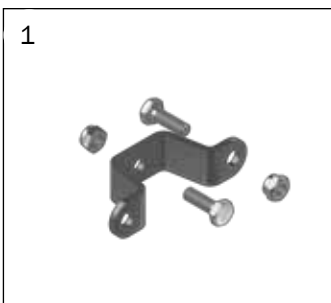
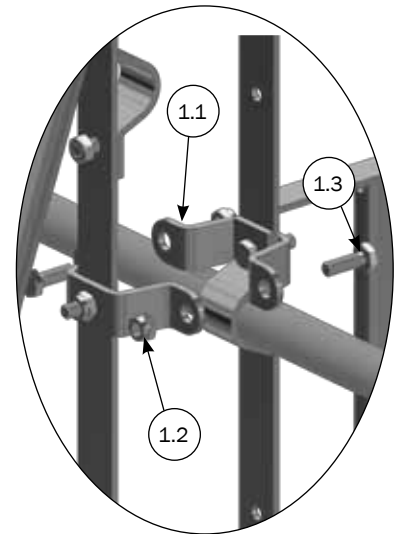
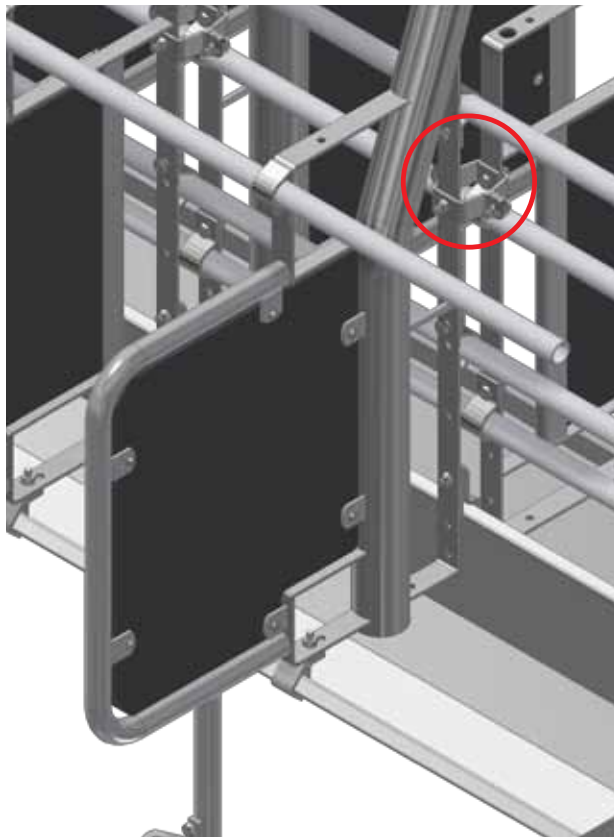
For mounting of trough SS and frontbars look at :
M-8025_SUSPENDED_SS_TROUGHS
M-6183_FRONT_BARS_WATER



The pipe retainer is mounted together with pos. 1.1 if it's placed in the same place.



Recommended distance between feedpartitions



The trough is mounted before feedpartition is mounted together

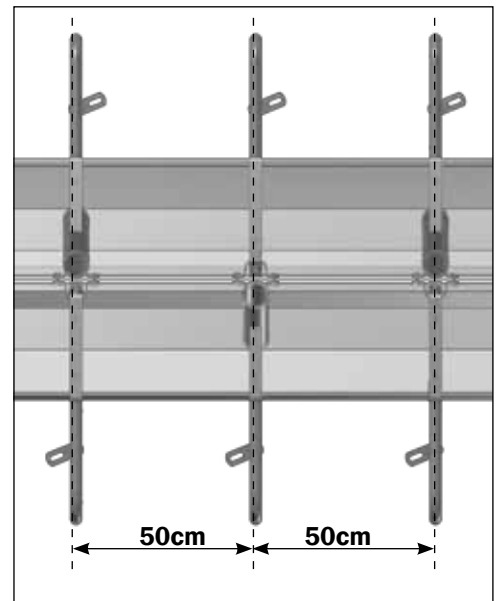
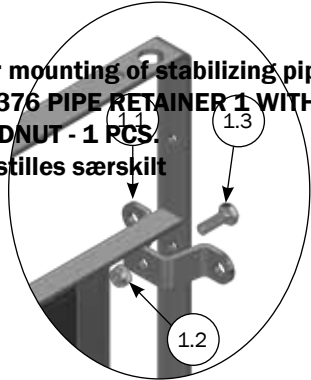
PARTS LIST

No	Pcs	Item no	Description
1	2(1)	1100071	MOUNTINGSET FOR FEEDPARTITION TO FRONT BARS/PLATE
1.1	2(1)	1120056	SUPPORT FOR FEEDPARTITION
1.2	4(2)	33900029	LOCK NUT M10 A2 DIN 985
1.3	4(2)	30310030	SET SCREW M10X30 A2 DIN 933

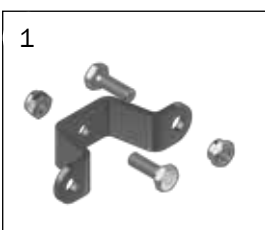
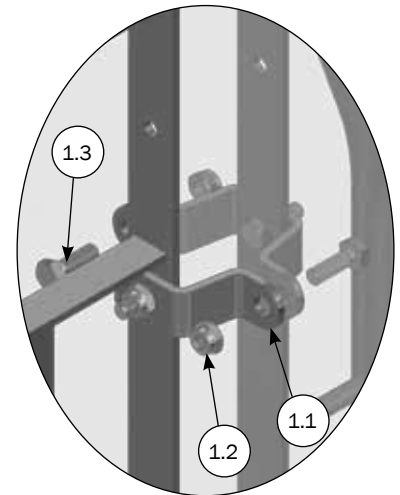
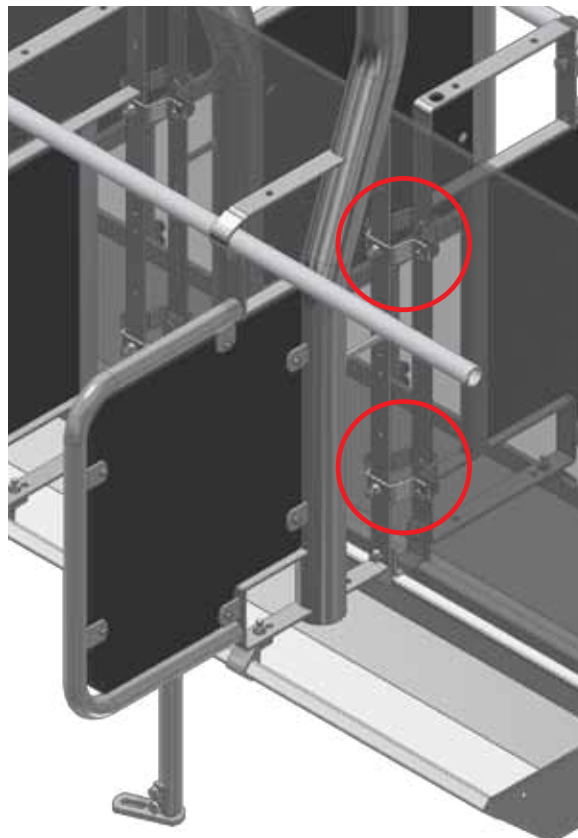
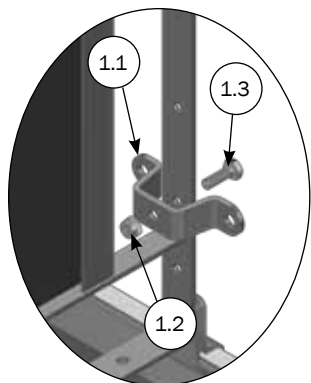
Feedpartition mounted against plate double

For mounting of trough look at:
M-8025_SUSPENDED_SS_TROUGHS

For mounting of stabilizing pipes use:
**16376 PIPE RETAINER 1 WITH BOLT
AND NUT - 1 PCS.**
Bestilles særskilt



Recommended distance
between feedpartitions

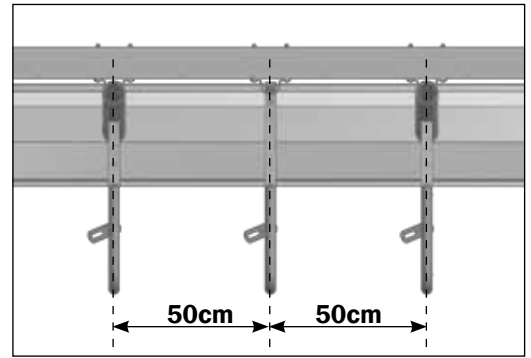


The trough is mounted before feedpartition is mounted into the plate

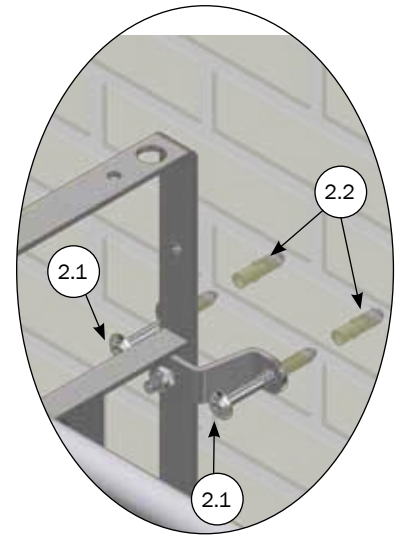
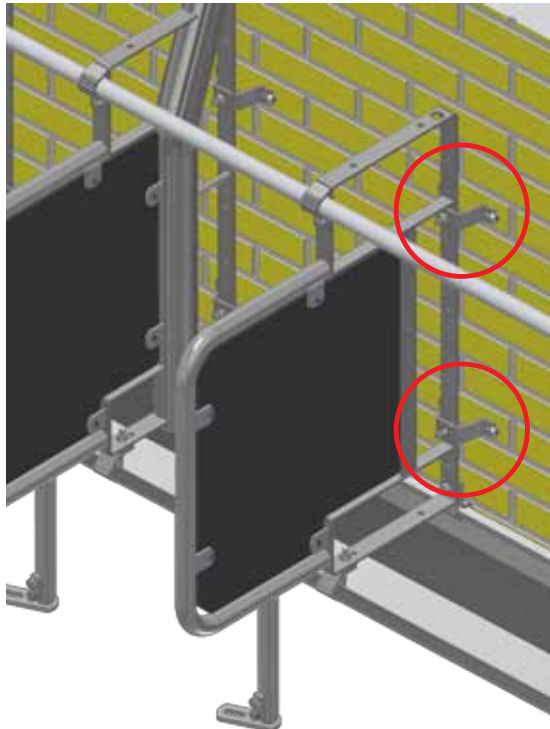
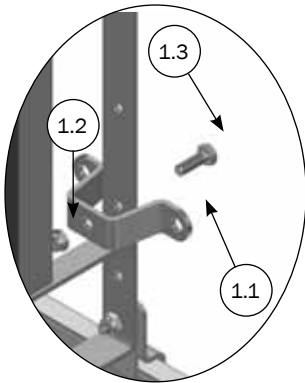
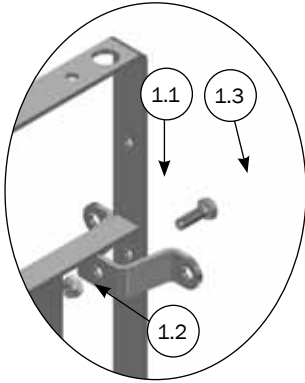
PARTS LIST			
No	Pcs	Item no	Description
1	4(1)	1100071	MOUNTINGSET FOR FEEDPARTITON TO FRONTBARS/PLATE
1.1	4(1)	1120056	SUPPORT FOR FEEDPARTITION
1.2	8(2)	33900029	LOCK NUT M10 A2 DIN 985
1.3	8(2)	30310030	SET SCREW M10X30 A2 DIN 933

Feedpartition mounted against wall

For mounting of trough look at:
M-8025_SUSPENDED_SS_TROUGHS

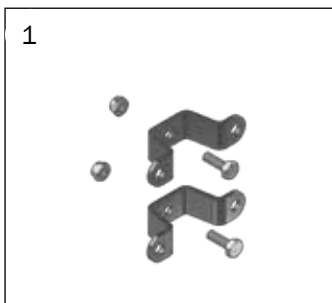


Recommended distance
between feedpartitions



The trough is mounted before feedpartition is mounted into the wall

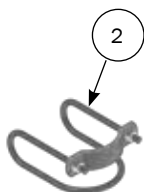
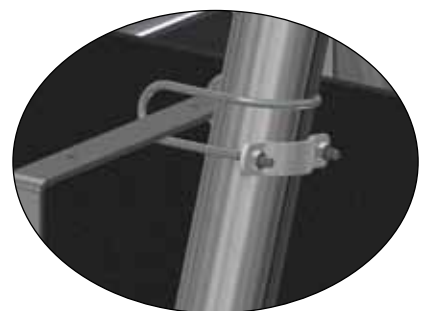
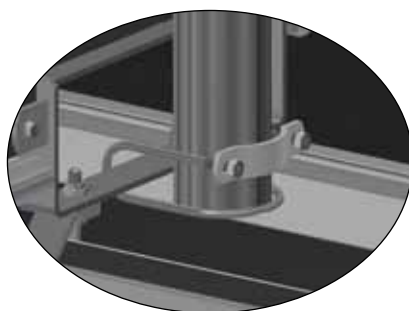
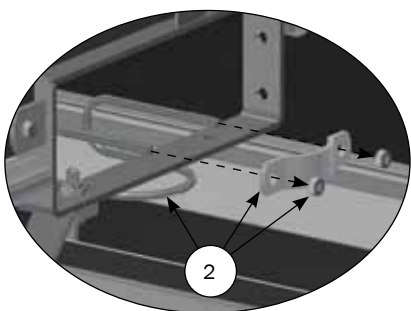
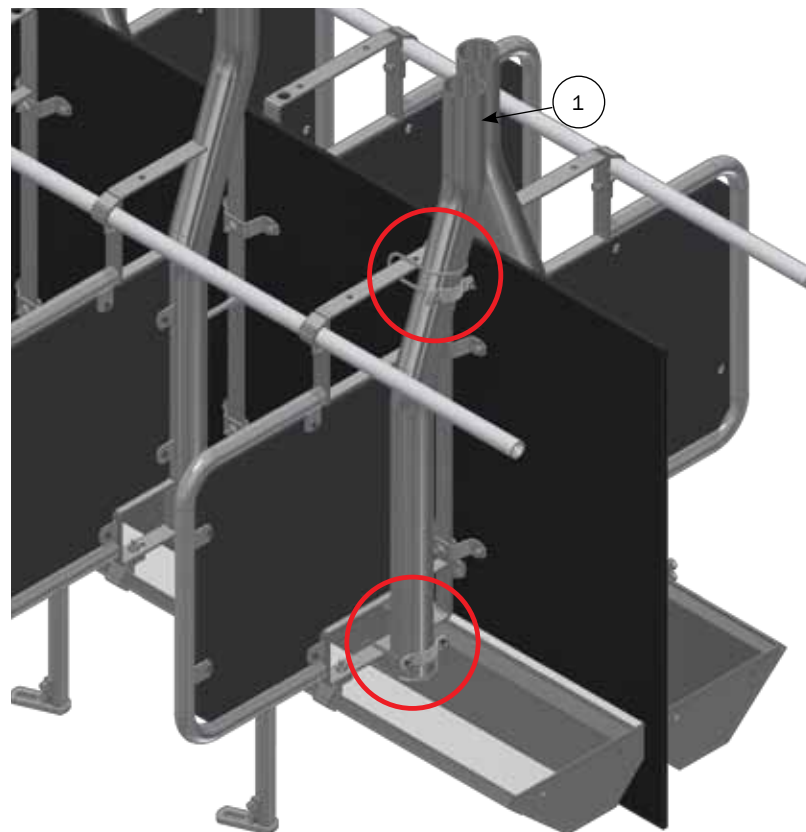
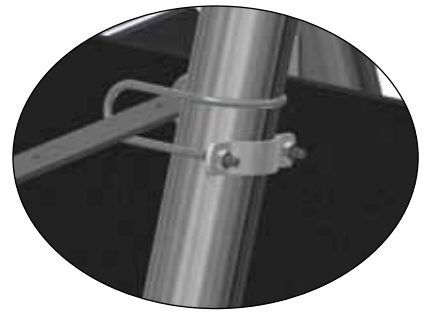
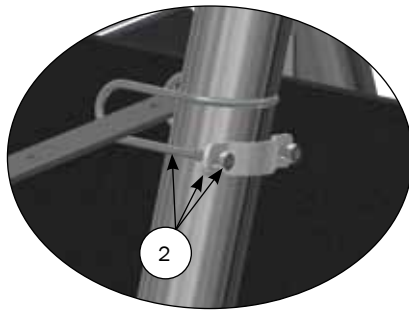
PARTS LIST



No	Pcs	Item no	Description
1	2	1100074	MOUNTINGSET FOR FEEDPARTITION AGAINST WALL
1.1	2	1120056	SUPPORT FOR FEEDPARTITION
1.2	2	33900029	LOCK NUT M10 A2 DIN 985
1.3	2	30310030	SET SCREW M10X30 A2 DIN 933
*2	1	4800010	10 PCS. SS BUTTON HEAD SCREWS 10X70 + WALL PLUG
2.1	4(10)	67444	10 X 70 BUTTON HEAD TORX 50 STAINLESS STEEL
2.2	4(10)	39900001	WALL PLUG 12X60 MM

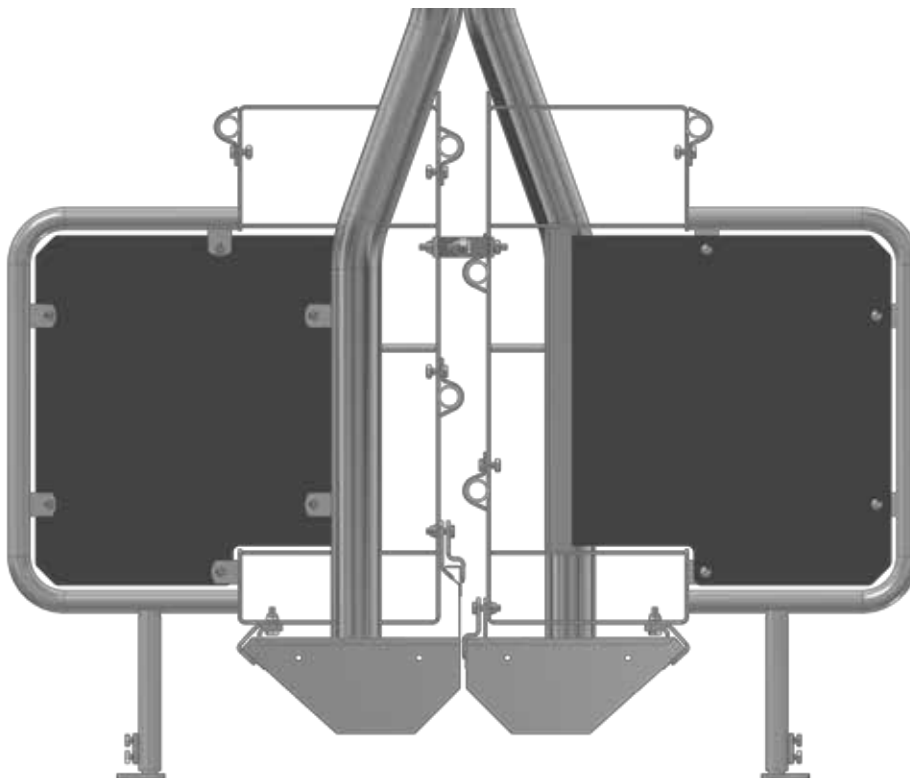
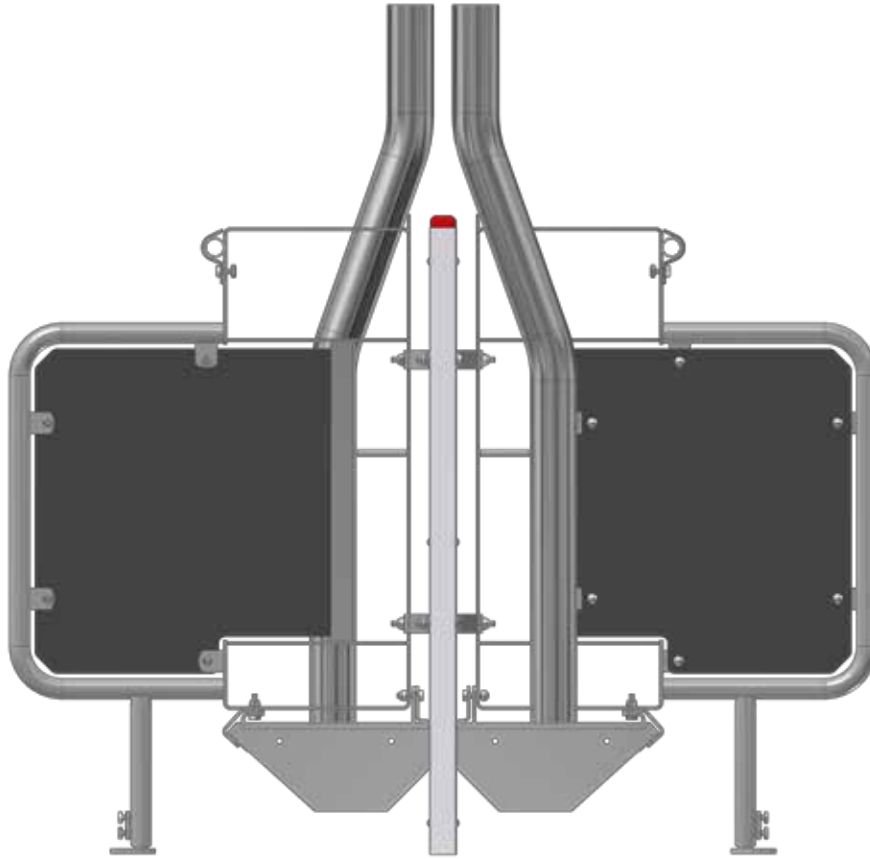
* Is ordered separately

Feedpartition mounted with bended pipe



PARTS LIST			
No	Pcs	Item no	Description
1	1	0221-200	BENDED FEEDING PIPE Ø75
2	2	0221-196	CLAMP 1'X80MM COMPL

Feedpartition mounted double



Feedpartition mounted single

