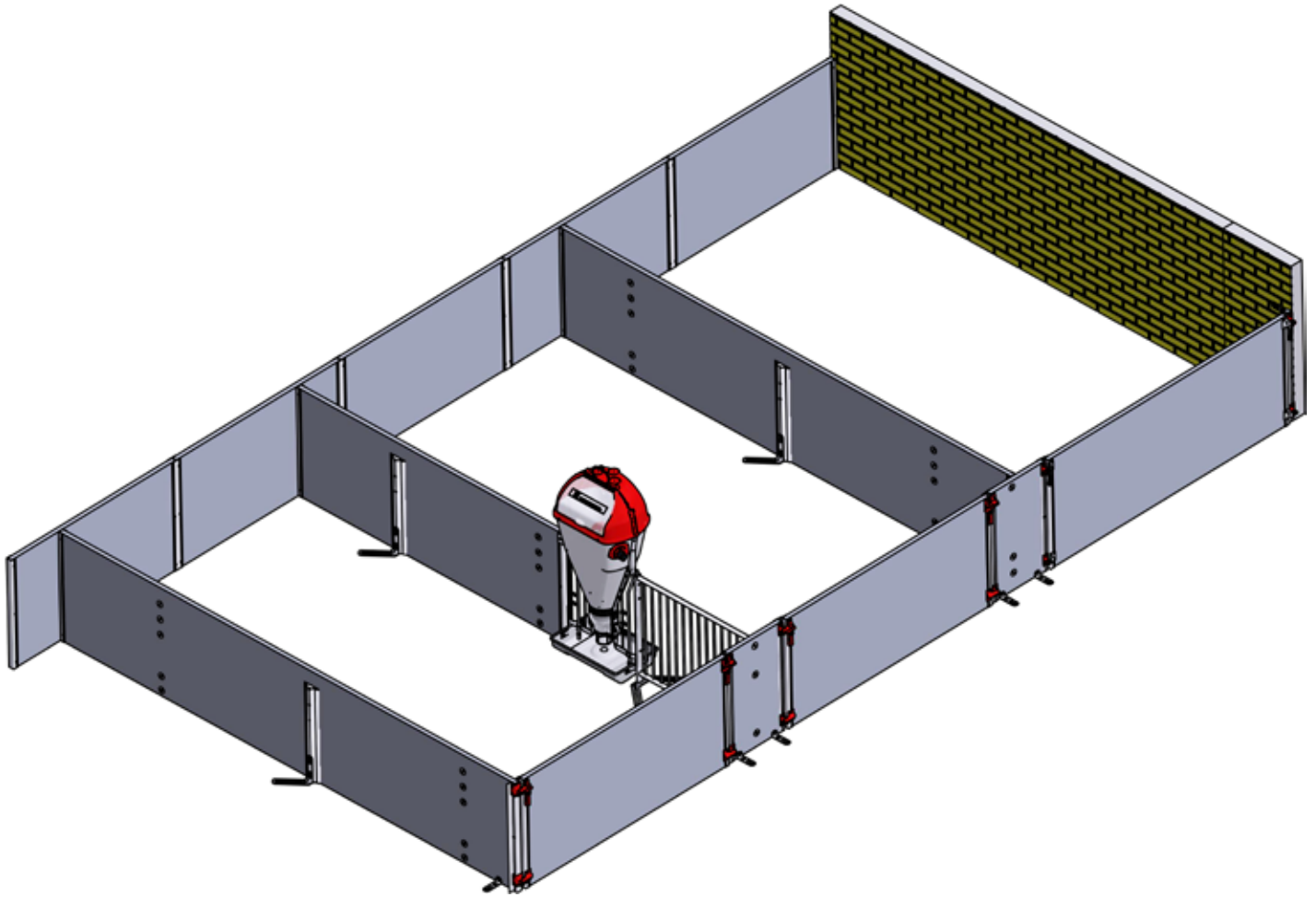


MOUNTING INSTRUCTION



FUNKI FLEX 850



ACO FUNKI A/S

Kirkevænget 5
DK-7400 Herning

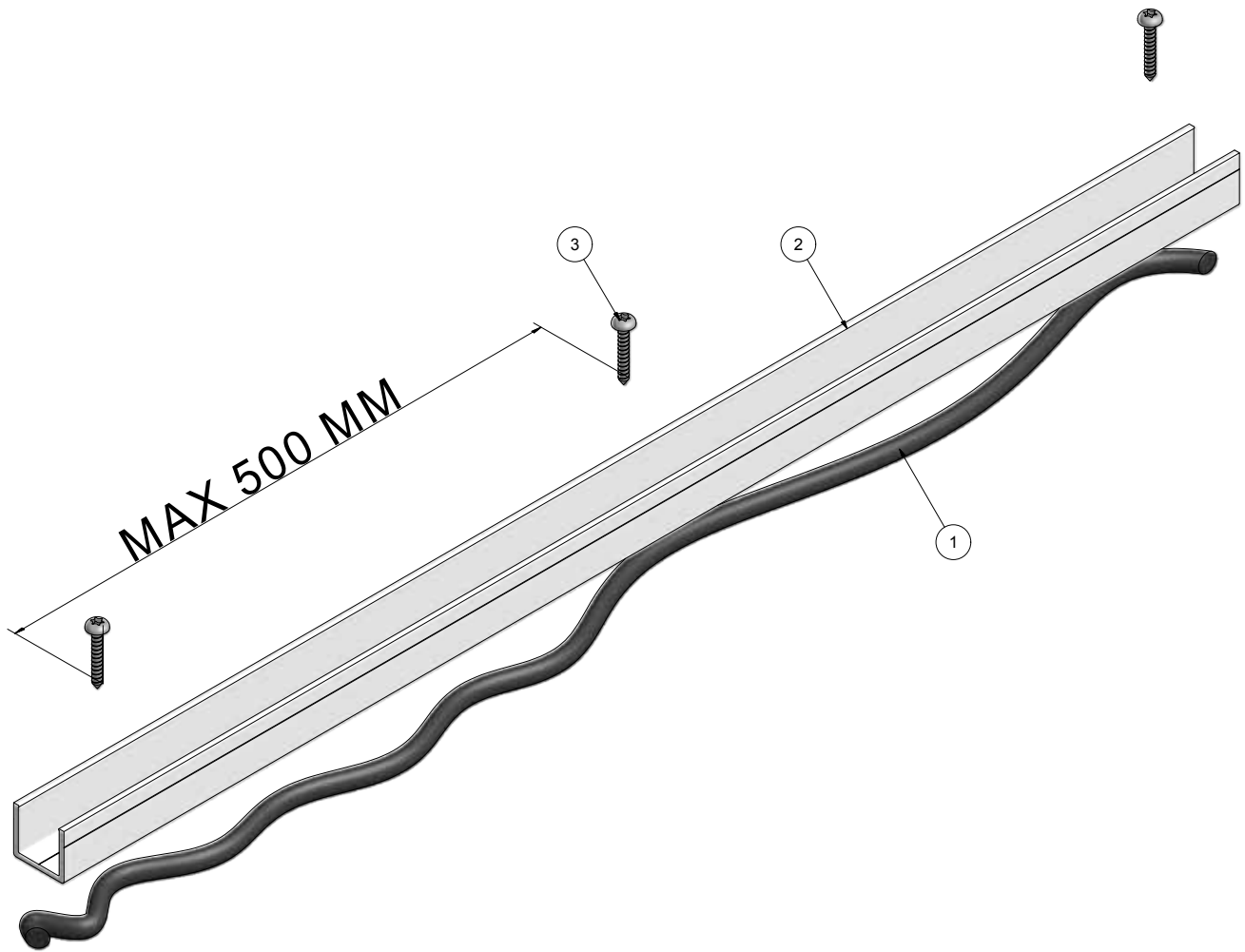
Tel. +45 9711 9600

Fax +45 9711 9677

www.acofunki.com

FUNKI

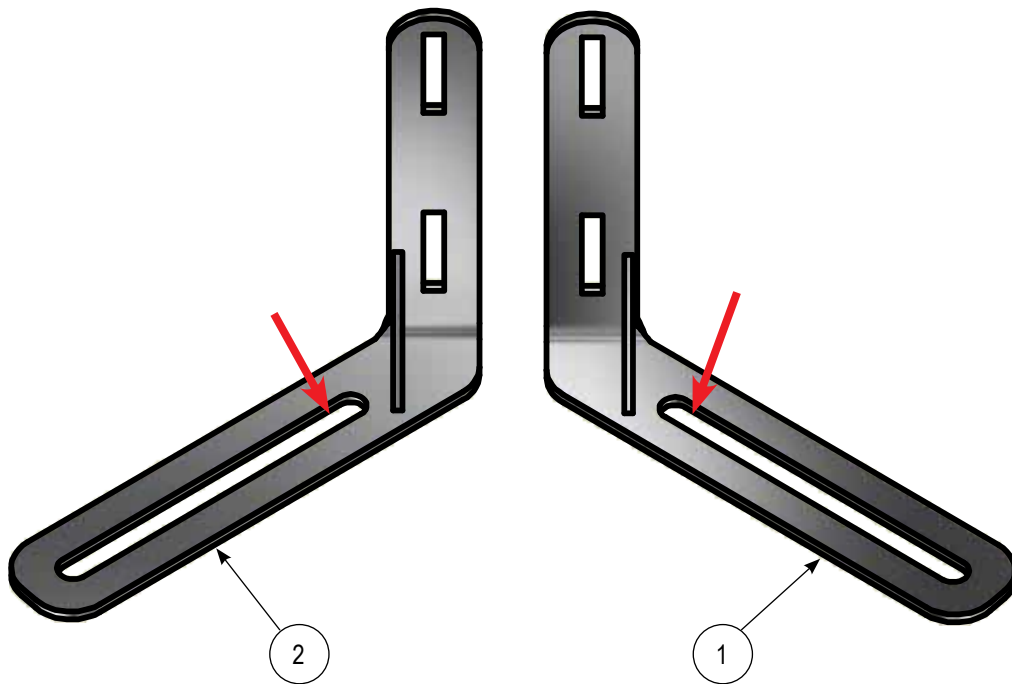
DANISH DESIGN | GERMAN QUALITY | GLOBAL EXPERIENCE



Item	QTY	Part No	Description
1		23900078*	SIKAFLEX SEALING COMPOUND 600 ML FOR 30 METER
2		2900358*	U-PROFILE PVC 6,5 METER
3		39406050*	CONCRETE SCREW 6,5 X 50

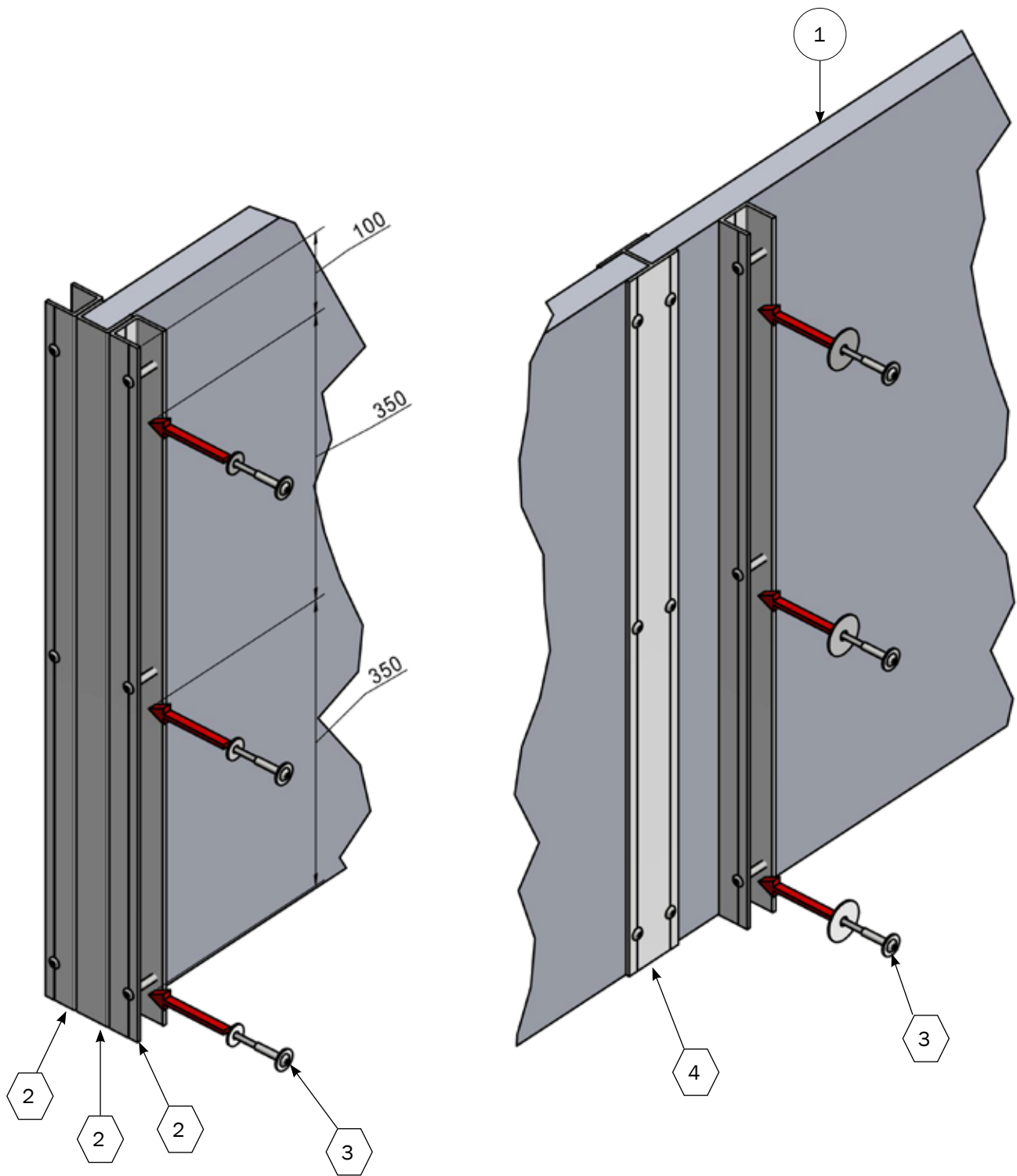
* Fitted when needed.

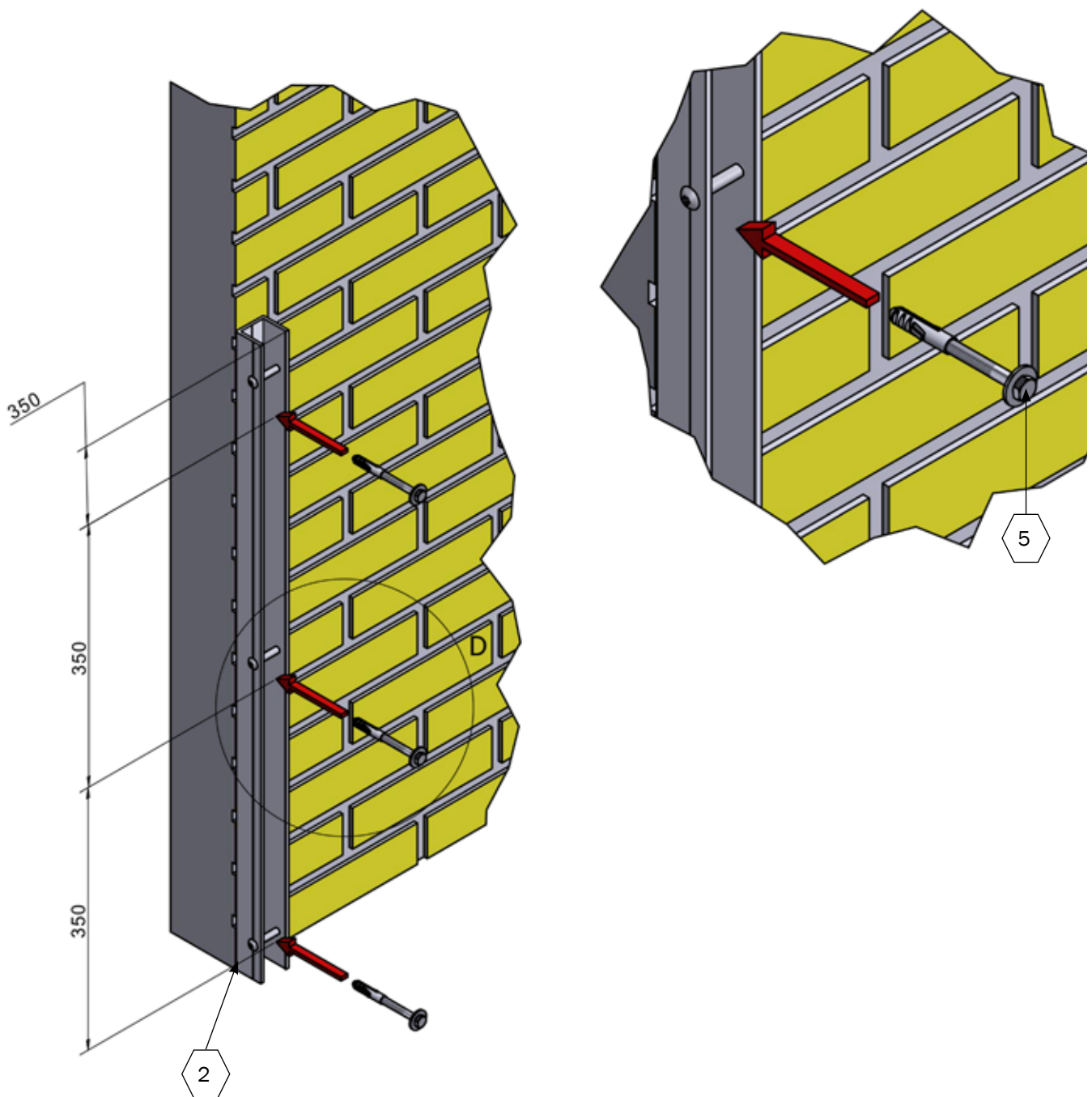
It's recommended that the foundation plate is mounted into the floor close to the post.



Item	QTY	Part No	Description
1	1	4150612	STAINLESS STEEL FOUNDATION PLATE RIGHT FOR FUNKI FLEX
2	1	4150613	STAINLESS STEEL FOUNDATION PLATE LEFT FOR FUNKI FLEX

For mounting, look in the Pricebook for fixing in floor .



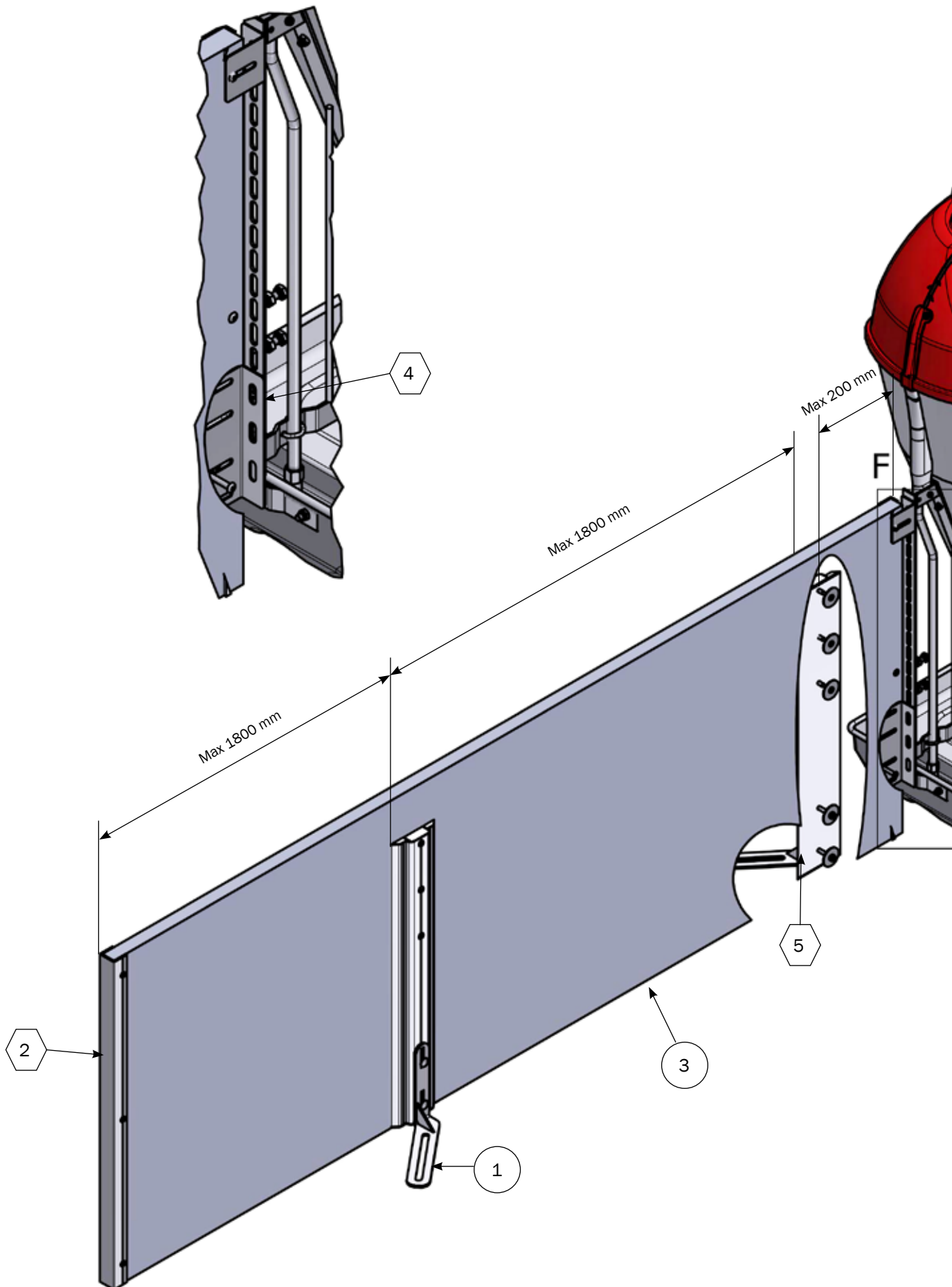


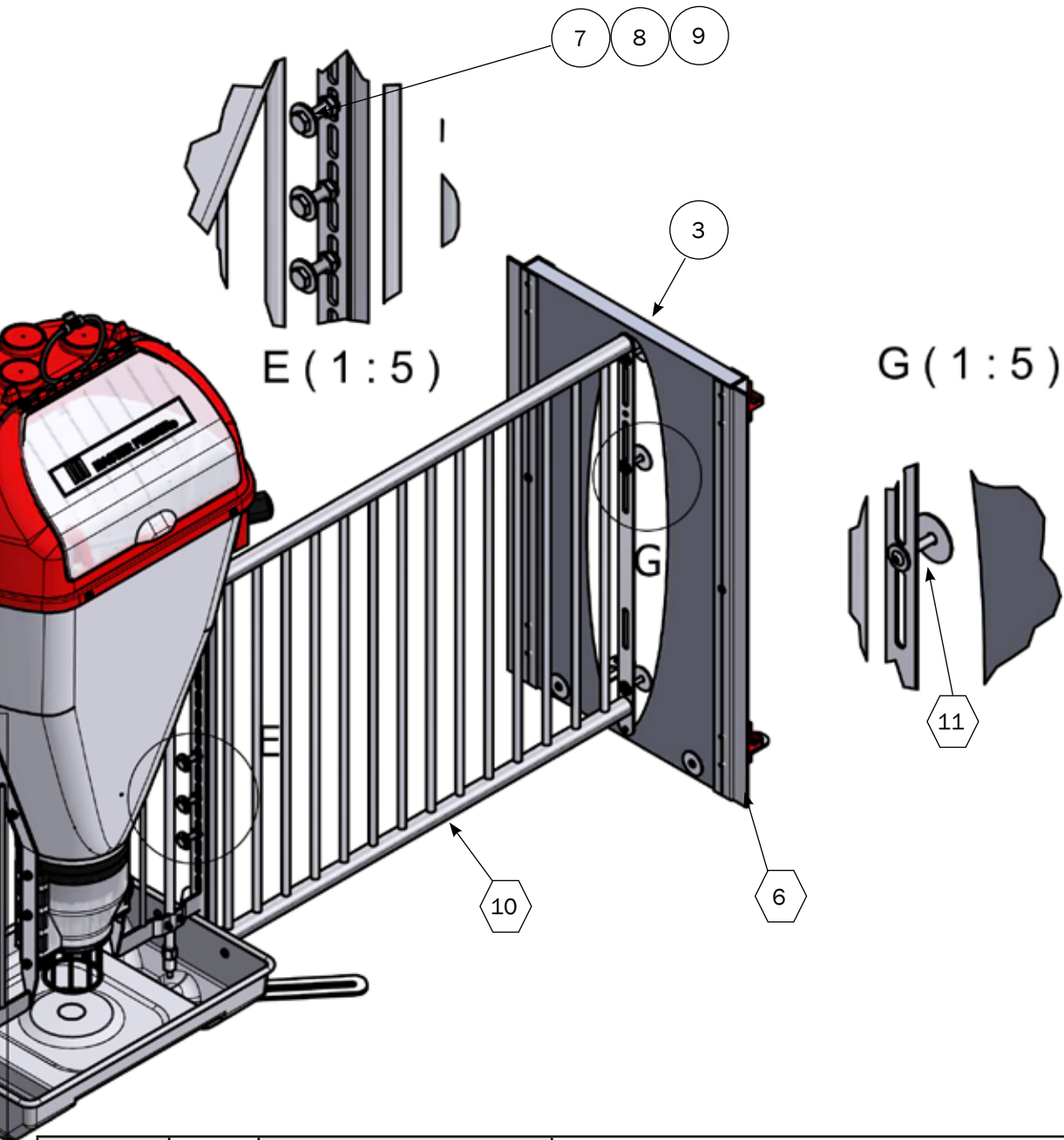
Item	QTY	Part Number	Description
1	2	9340401	BOARDPROFIL 35X850 FLAT/FLAT SPEC. LENGHT PRICE PER METER
②	5	4100311	UPROFILE 850 INCL. CONNECTING SCREW
③	4	4900129	BOLTKIT FOR WASHING WALL AND FRONT PARTITION
④	1	4100314	H-PROFILE 850 INCL. CONNECTING SCREW
⑤	1	4900128	BOLTKIT FOR WALL

⑤ Sales Bom see the back of the mounting instruction.

FF 850_01

F (1 : 6)





Item	QTY	Part Number	Description
1	(2)	4150612/ 4150613	STAINLESS STEEL FOUNDATION PLATE RIGHT/LEFT FOR FUNKI FLEX
(2)	2	4100311	UPROFILE 850 INCL. CONNECTING SCREW
3	2	9340401	BOARDPROFIL 35X850 FLAT/FLAT SPEC. LENGHT PRICE PER METER
(4)	1	38524	MOUNT KIT FOR U-POST AGAINST FEEDERS
(5)	2	3100063	POST PROFILE FOR FOUNDATION PLATE
(6)	1	4100306	FRONT PART KIT
7	3**	33900029	LOCK NUT M10 A2 DIN 985
8	3**	32310035	SET SCREW M10X35 A2 DIN 933
9	3**	35900085	NUT WASHER Ø10X10,5/30/2,5 A2DIN 9021
(10)	1	4450721	SS GRILL H85 L:1017 MM
(11)	1	4900129	BOLTKIT FOR WASHING WALL AND FRONT PARTITION

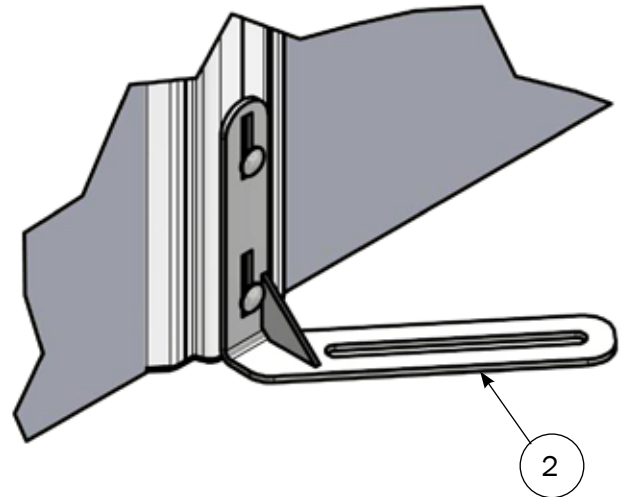
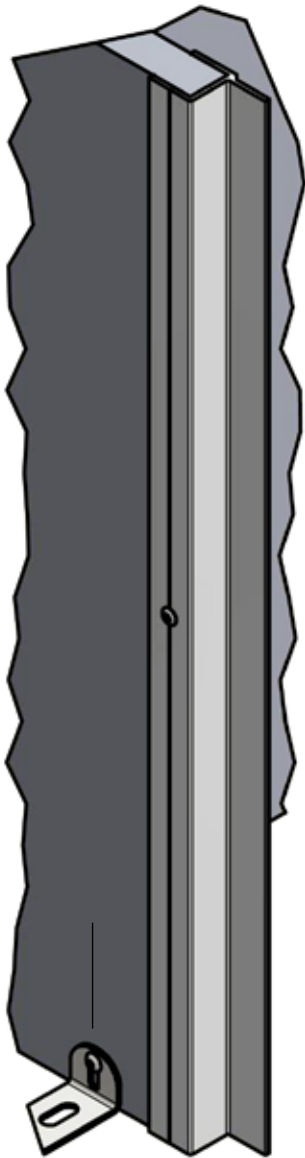
⬡ Sales Bom see the back of the mounting instruction.

() Available in stainless steel, right or left.

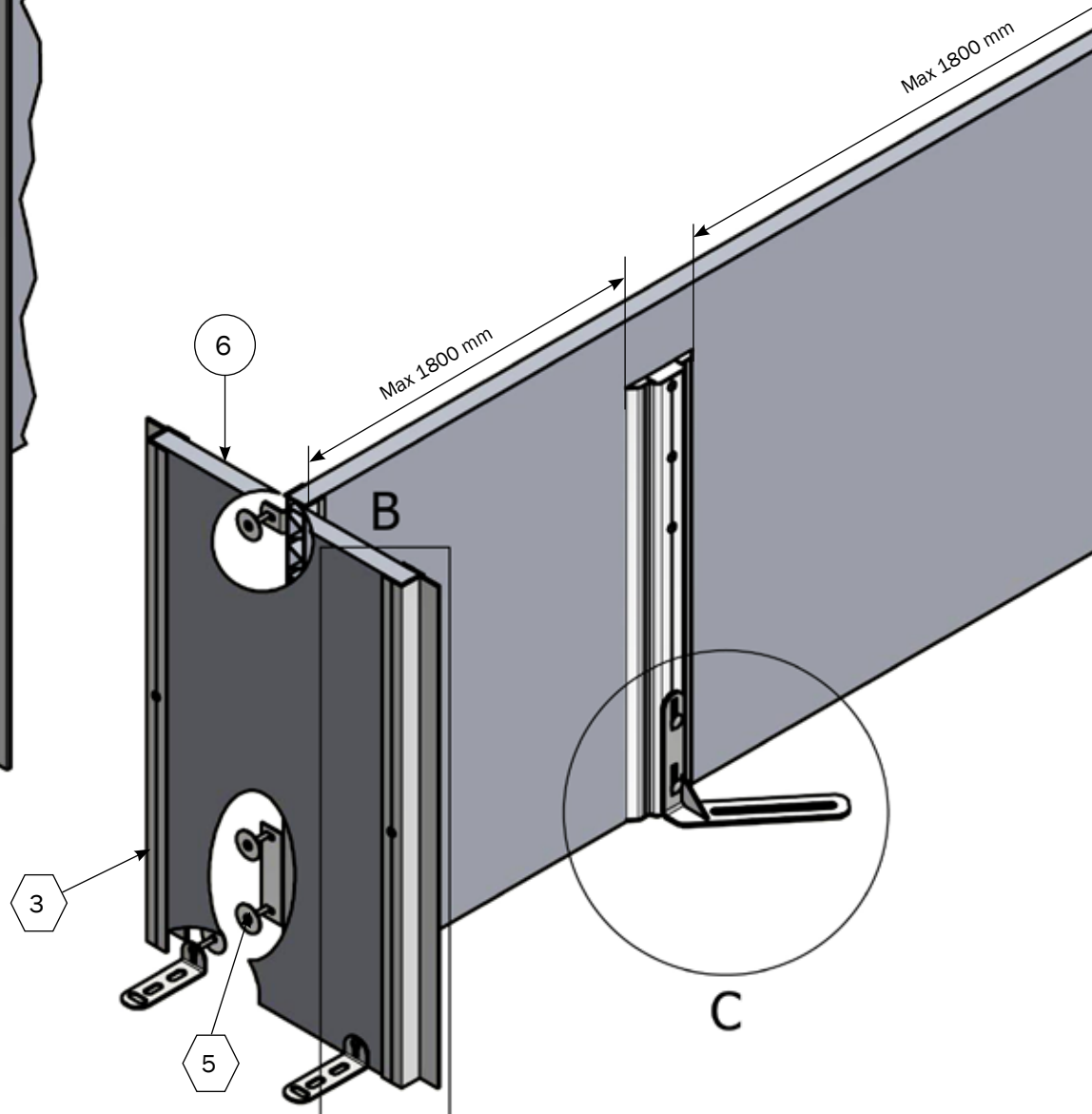
* *Is sold separately

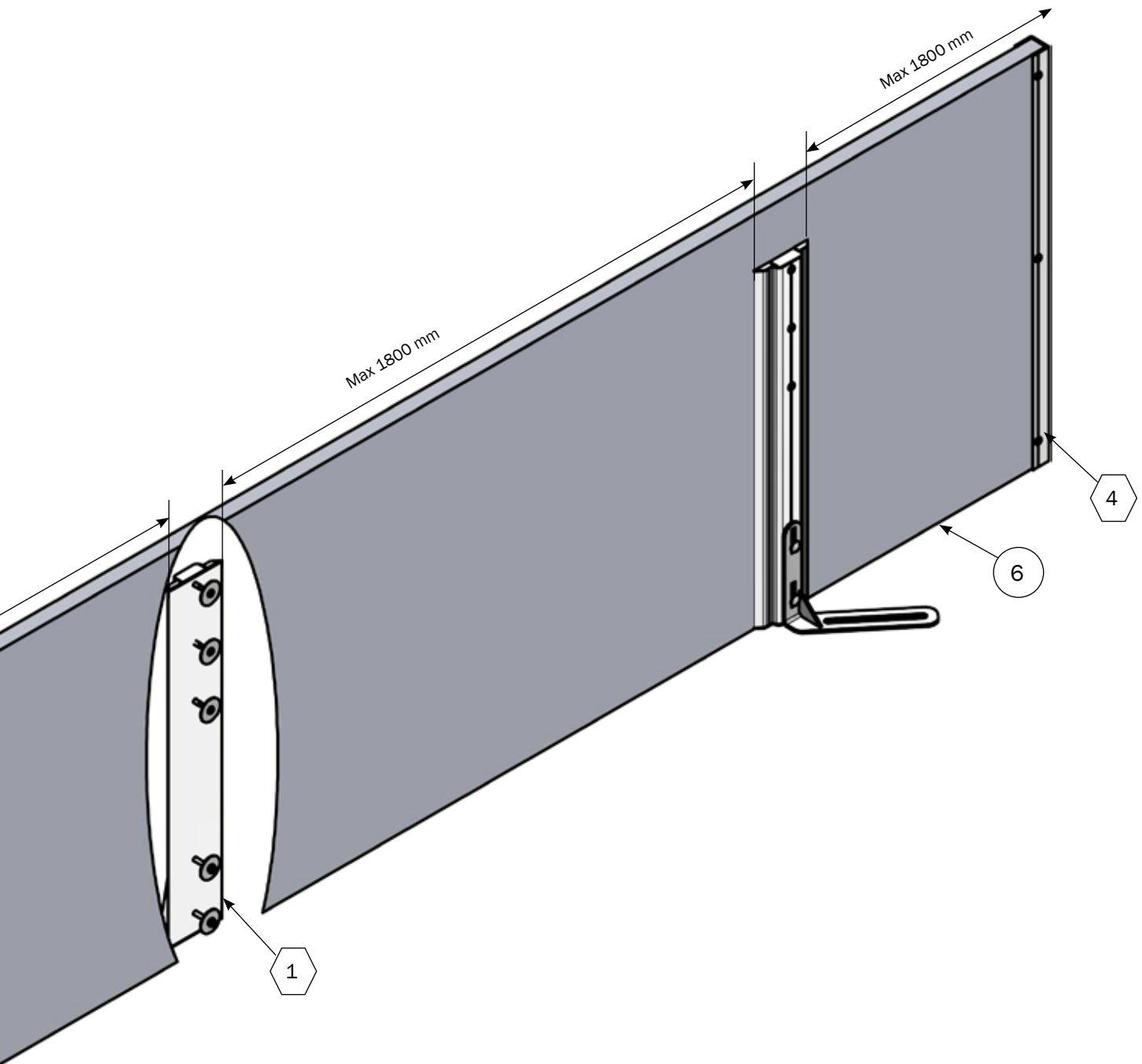
FF 850_02

B (1:5)



C (1:5)





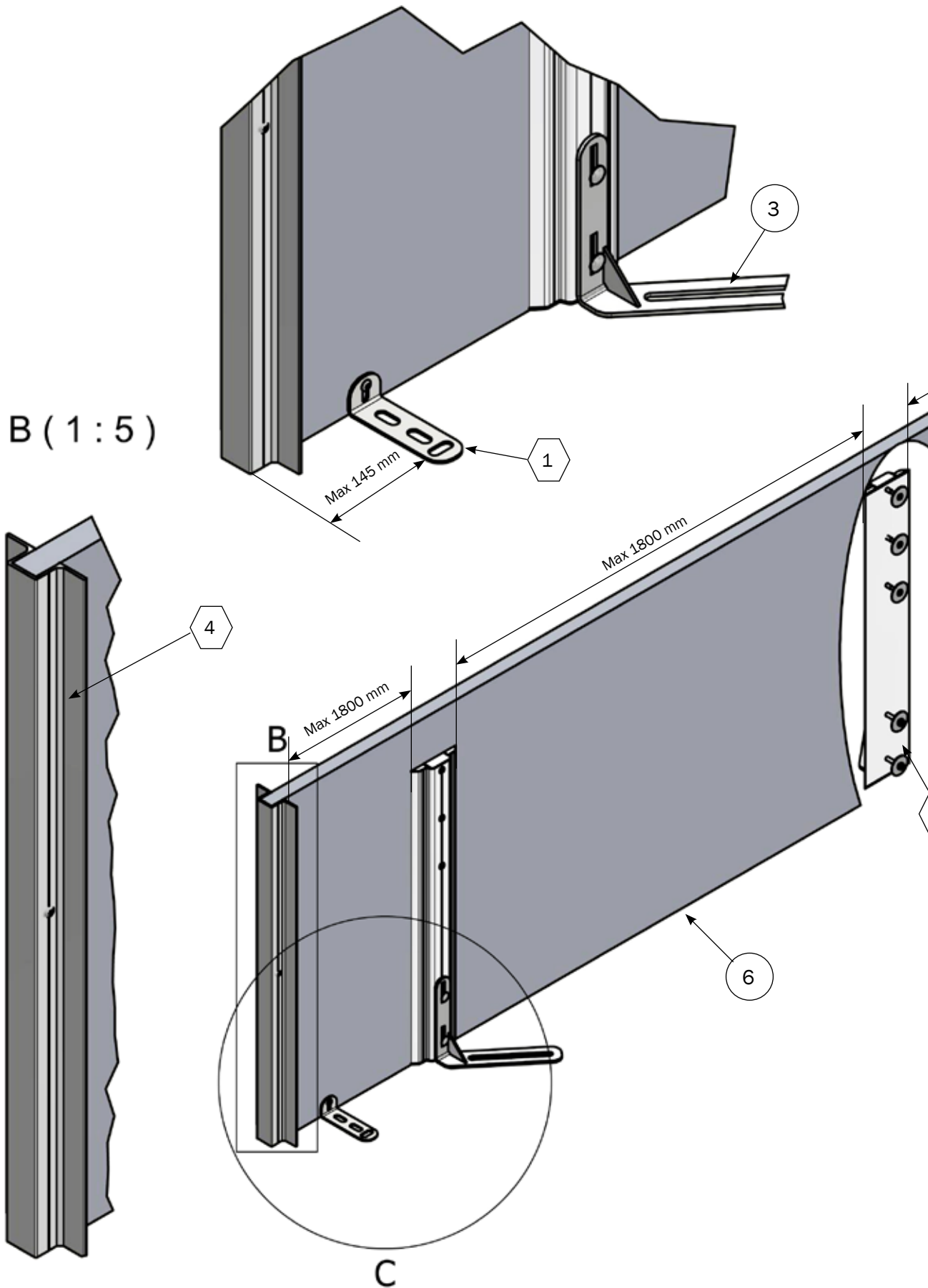
Item	QTY	Part Number	Description
①	3	4100304	POST PROFILE FOR FOUNDATION PLATE
2	(3)	4150612/4150613	STAINLESS STEEL FOUNDATION PLATE RIGHT/LEFT FOR FUNKI FLEX
③	1	4100306	FRONT PART KIT
④	2	4100311	UPROFILE 850 INCL. CONNECTING SCREW
⑤	1	38526	MOUNTING KIT F/UPOST AGAINST FRONT PART BOARDPROFILE
6	2	9340401	BOARDPROFIL 35X850 FLAT/FLAT SPEC. LENGHT PRICE PER METER

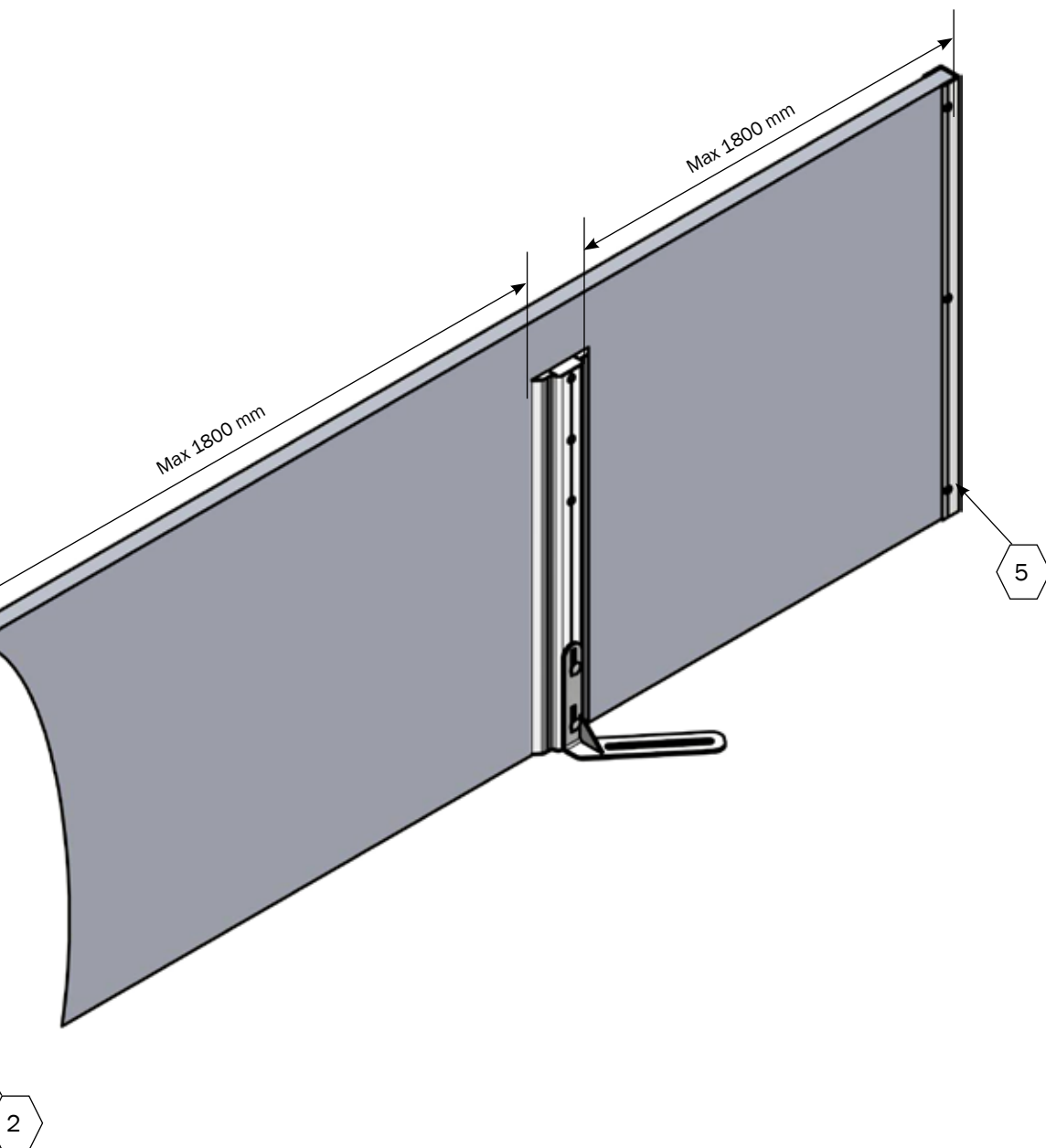
① Sales Bom see the back of the mounting instruction.

() Available in stainless steel, right or left.

C (1 : 5)

B (1 : 5)

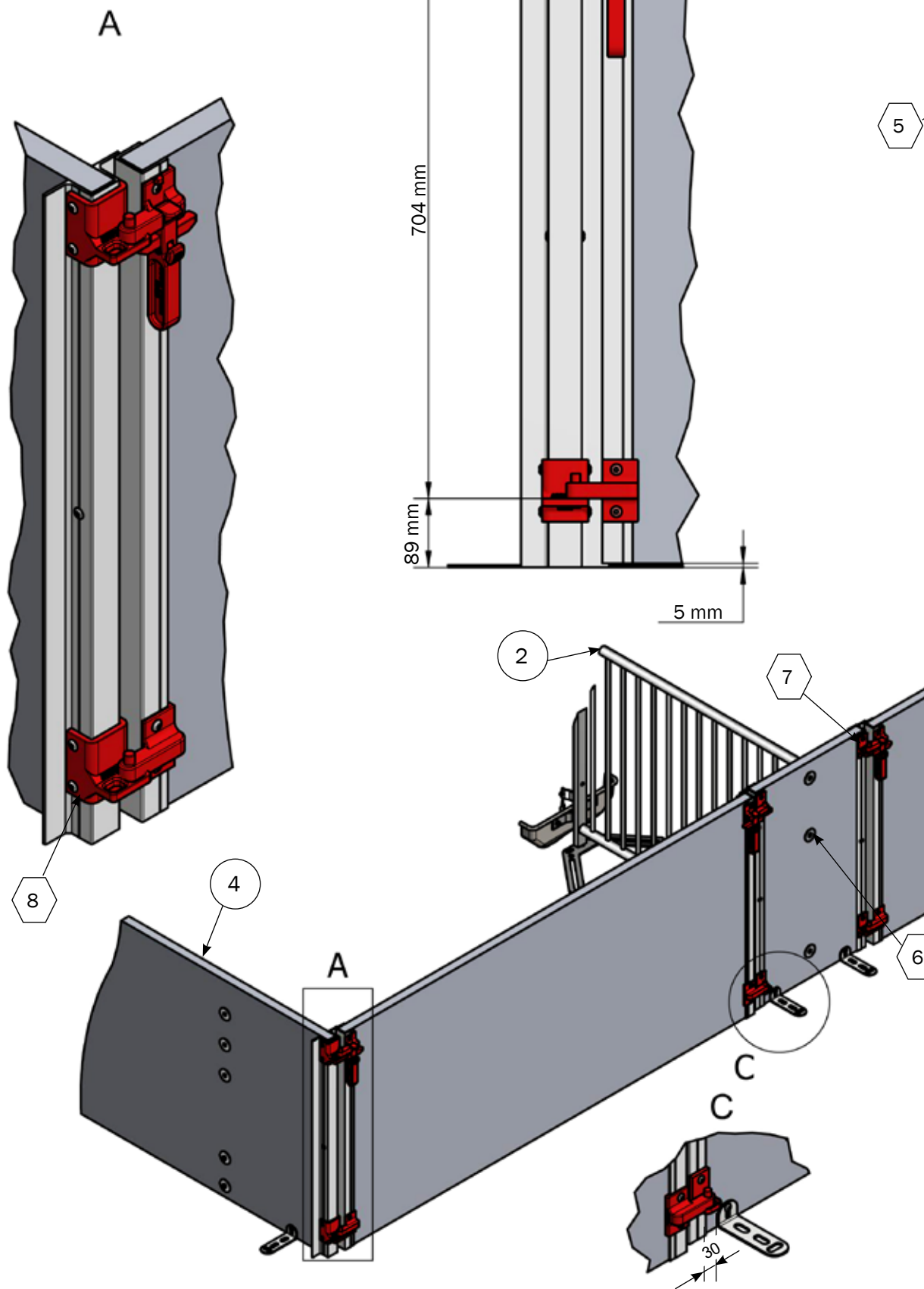


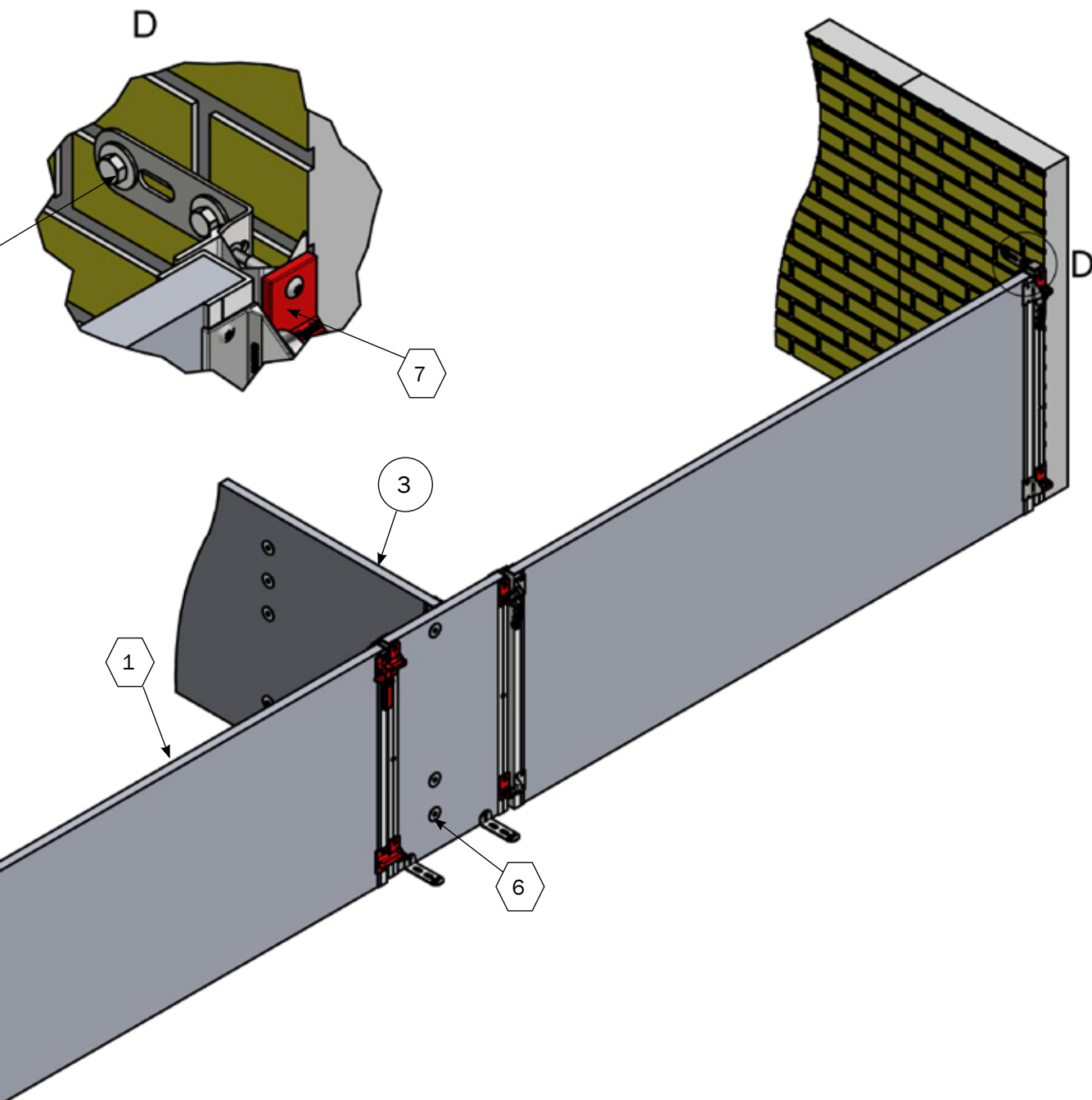


Item	QTY	Part Number	Description
①	1	4900700	SUPPORT FOUNDATION PLATE
②	3	4100304	POST PROFILE FOR FOUNDATION PLATE
3	(3)	4150612/4150613	STAINLESS STEEL FOUNDATION PLATE RIGHT/LEFT FOR FUNKI FLEX
④	1	4100312	HAT PROFILE 850 INCL. CONNECTING SCREW
⑤	1	4100311	UPROFILE 850 INCL. CONNECTING SCREW
⑥	2	9340401	BOARDPROFIL 35X850 FLAT/FLAT SPEC. LENGHT PRICE PER METER

⑥ Sales Bom see the back of the mounting instruction.

(i) Available in stainless steel, right or left.



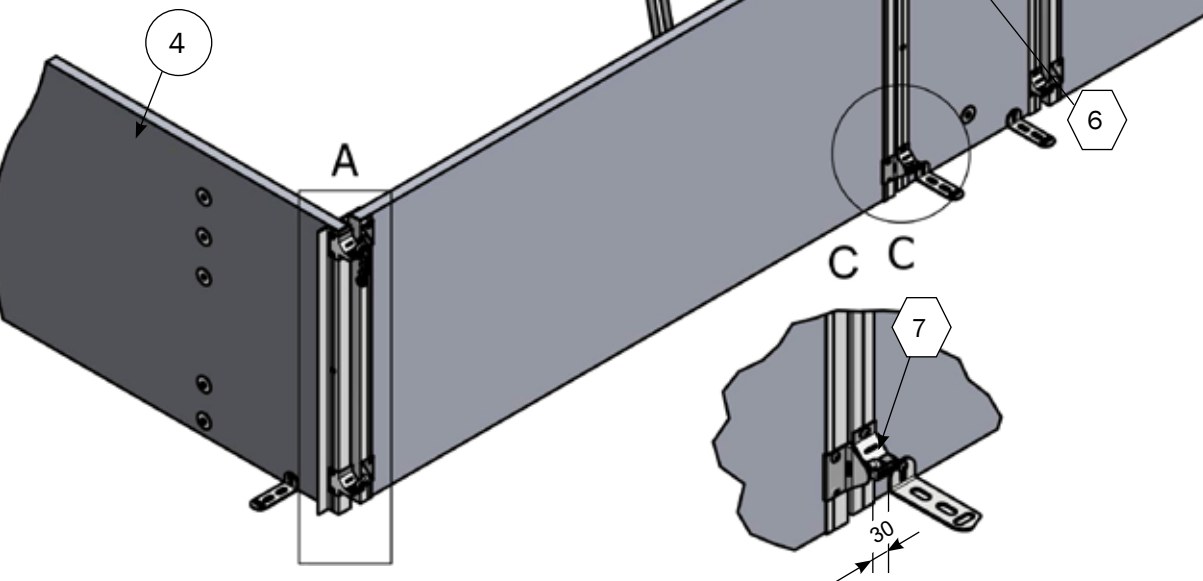
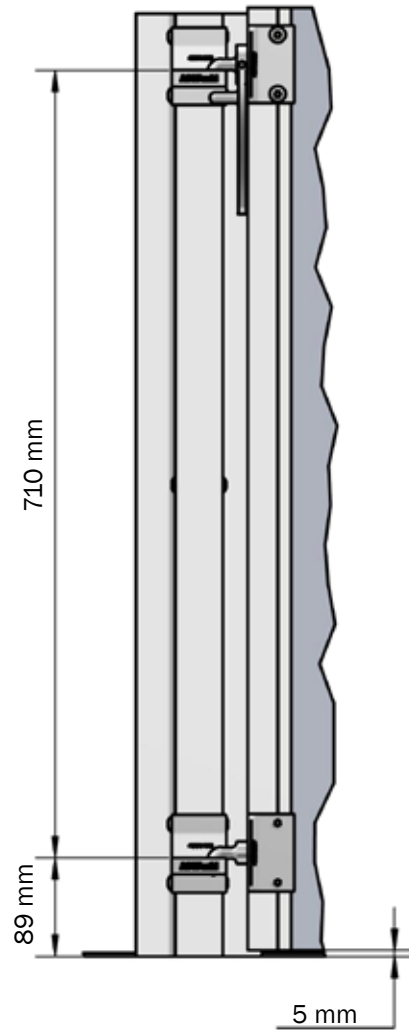
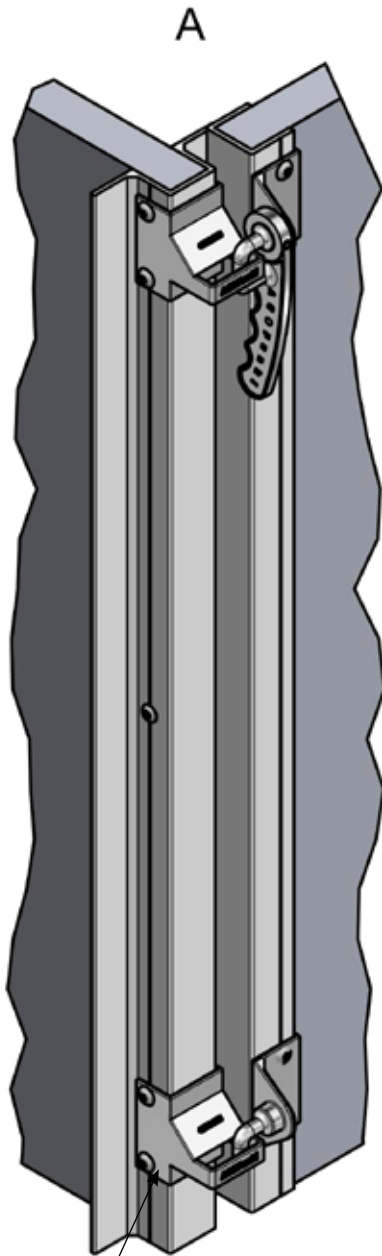


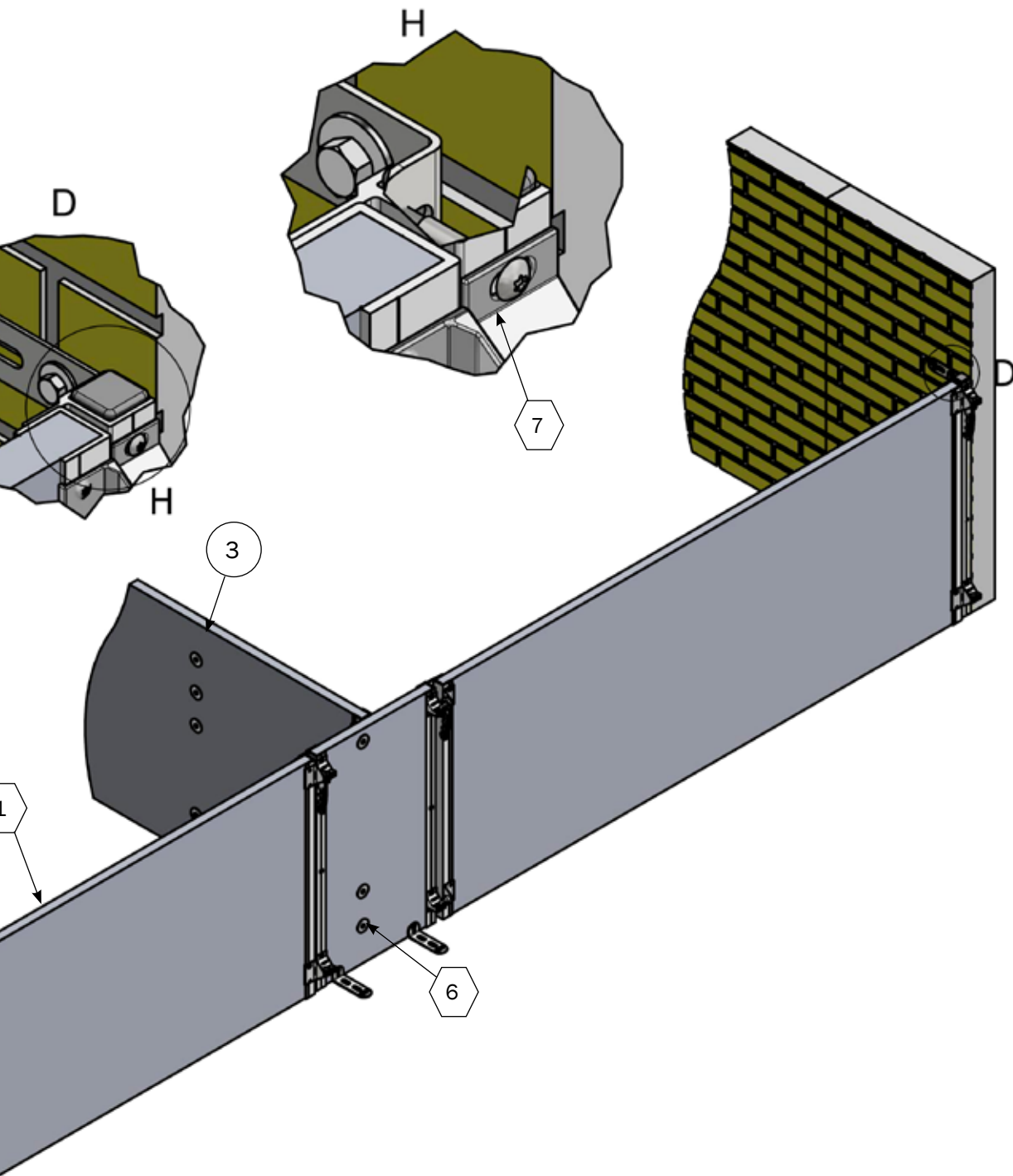
Item	QTY	Part Number	Description
①	3	4100317	GATE KIT IN FULL PEN SIZE SS 850
2	1*	FF 850_1	GRILLE WITH U-PROFILE CLOSED
3	1*	FF 850_2	PARTITION WITH U-PROFILE MOUNTED AGAINST FRONT PART
4	1*	FF 850_3	PARTITION WITH HUT PROFILE CLOSED
⑤	1	4900591	MOUNTING KIT FOR WALL MOUNTING
⑥	2	4900129	BOLTKIT FOR WASHING WALL AND FRONT PARTITION
⑦	2	4900800	HINGER FOR FRONT PART PVC
⑧	2	4900801	HINGER FOR HATPROFILE

⑥ Sales Bom see the back of the mounting instruction.

* Is sold separately

FF 850_5



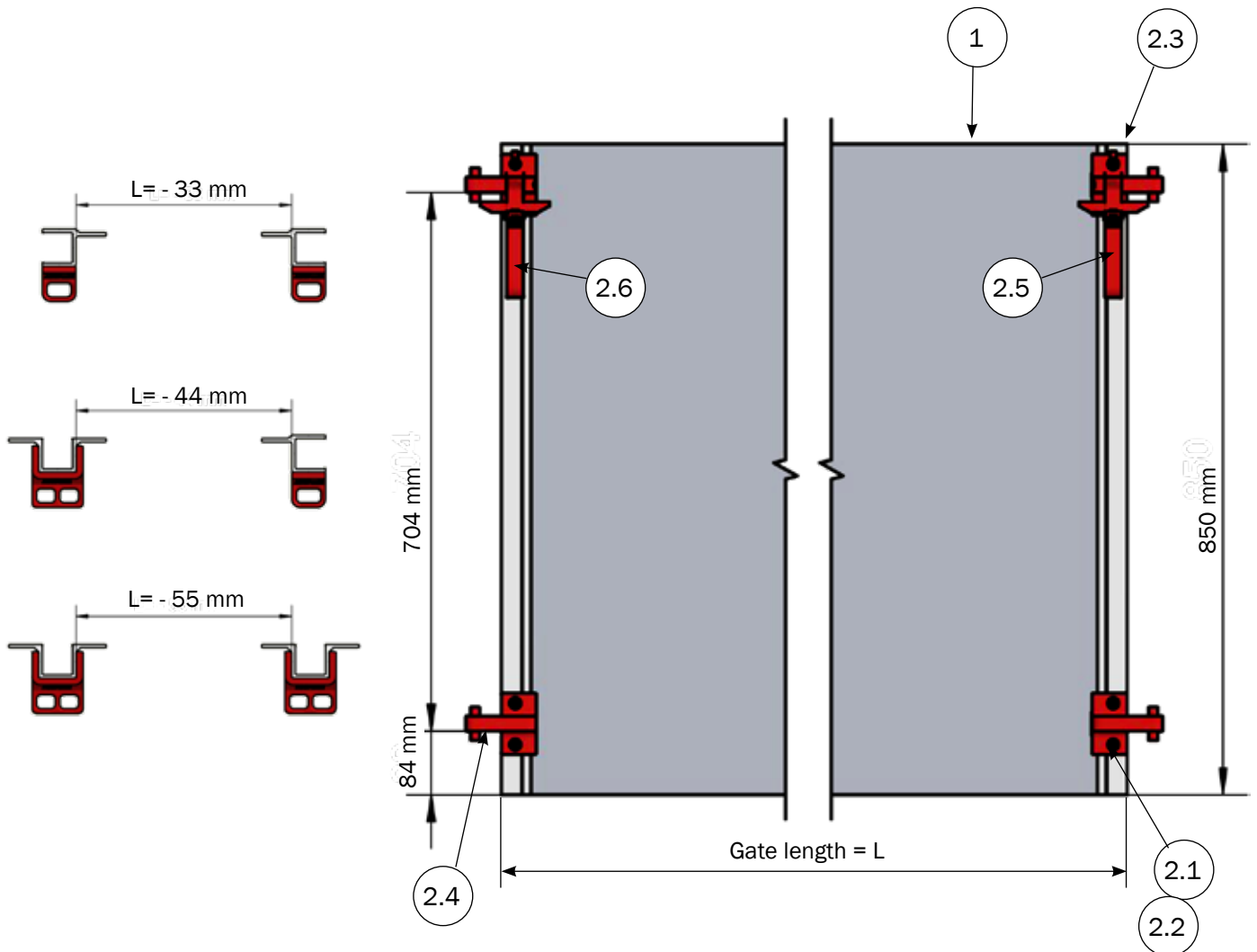


Item	QTY	Part Number	Description
①	3	4100317	GATE KIT IN FULL PEN SIZE SS 850
2	1*	FF 850_1	GRILLE WITH U-PROFILE CLOSED
3	1*	FF 850_2	PARTITION WITH U-PROFILE MOUNTED AGAINST FRONT PART
4	1*	FF 850_3	PARTITION WITH HUT PROFILE CLOSED
⑤	1	4900591	MOUNTING KIT FOR PARTITION AGAINST PARTITION
⑥	2	4900129	BOLTKIT FOR WASHING WALL AND FRONT PARTITION
⑦	2	4900850	HINGER FOR FRONT PART STAINLESS STEEL
⑧	2	4900851	HINGER FOR HAT PROFILE STAINLESS

⑥ Sales Bom see the back of the mounting instruction.

* Is sold separately

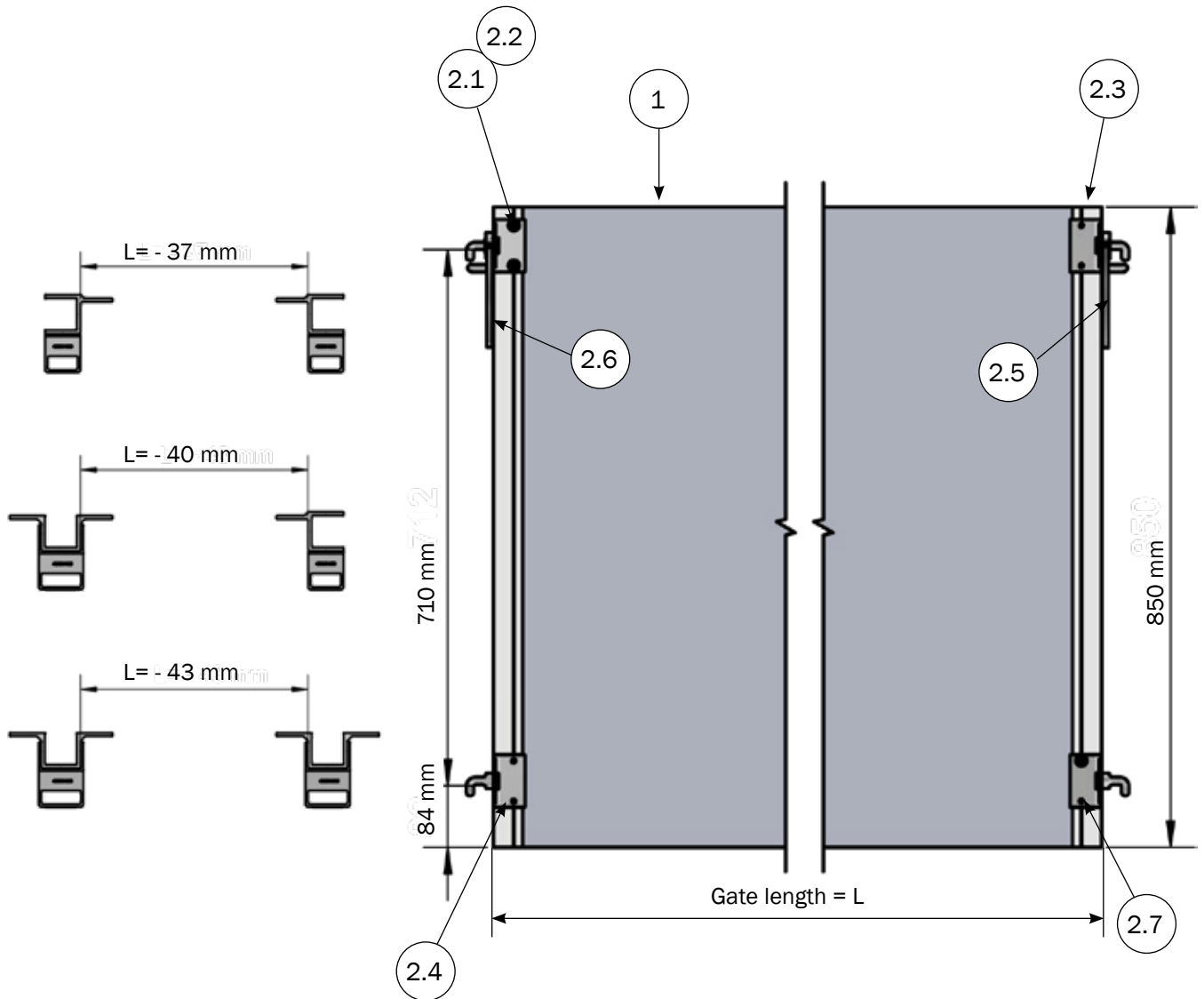
Gate in full width with PVC hinger



Max. Gate length L=2500 mm

Item	QTY	Part Number	Description
1	1	9340401	BOARDPROFIL 35X850 FLAT/FLAT SPEC. LENGHT PRICE PER METER L -18 MM
2	1	41100307	GATE KIT FOR GATE IN FULL WIDTH PVC
2.1	8	39106030	CONNECTION SCREW M6X30 STAINLESS TORX 30
2.2	8	39206037	SPLICING SLEEVE M6X37 STAINLESS TORX 30
2.3	2	8500291	U PROFILE 850
2.4	1	8500153	LOWER HINGE FOR GATE, VERSIONII
2.5	1	4110163	HANDLE FOR GATE VERSION II, RIGHT
2.6	1	4110164	HANDLE FOR GATE VERSION II, LEFT

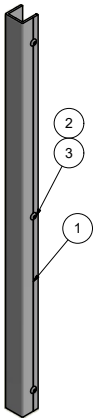
Gate in full width with STAINLESS STEEL hinger



Max. Gate length L=2500 mm

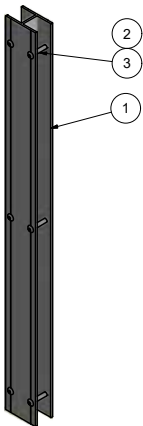
Item	QTY	Part Number	Description
1	1	9340401	BOARDPROFIL 35X850 FLAT/FLAT SPEC. LENGHT PRICE PER METER L -18 MM
2	1	4100317	GATE KIT FOR GATE IN FULL WIDTH STAINLESS STEEL
2.1	8	39106030	CONNECTION SCREW M6X30 STAINLESS TORX 30
2.2	8	39206037	SPLICING SLEEVE M6X37 STAINLESS TORX 30
2.3	2	8500291	U PROFILE 850
2.4	1	4950887	LOWER HINGER FOR GATE STAINLESS STEEL LEFT
2.5	1	4910900	HANDLE STAINLESS STEEL RIGHT
2.6	1	4910889	HANDLE STAINLESS STEEL LEFT
2.7	1	4950884	LOWER HINGER FOR GATE STAINLESS STEEL RIGHT

Sales Bom



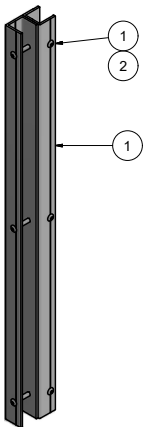
4100311 UPROFILE 850 INCL. CONNECTING SCREW

Item	QTY	Part Number	Description
1	1	8500291	U PROFILE 850
2	3	39106020	CONNECTION SCREW M6X20 STAINLESS TORX 30
3	3	39206037	SPLICING SLEEVE M6X37 STAINLESS TORX 30



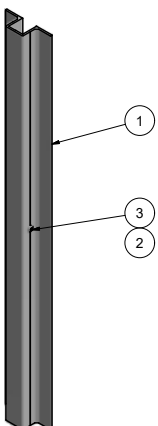
4100314 H-PROFILE 850 INCL. CONNECTING SCREW

Item	QTY	Part Number	Description
1	1	8500295	H PROFILE 850
2	6	39106020	CONNECTION SCREW M6X20 STAINLESS TORX 30
3	6	39206037	SPLICING SLEEVE M6X37 STAINLESS TORX 30



4100315 DOUBLE UPROFIL ANGEL 850 INCL. CONNECTING SCREWS

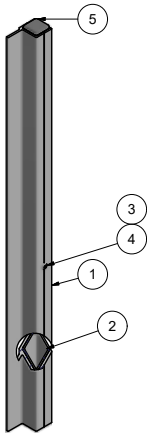
Item	QTY	Part Number	Description
1	1	4110315	ANGEL PROFILE 850
2	6	39106020	CONNECTION SCREW M6X20 STAINLESS TORX 30
3	6	39206037	SPLICING SLEEVE M6X37 STAINLESS TORX 30



4100312 HAT PROFILE 850 MM

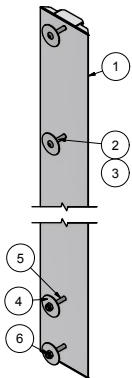
Item	QTY	Part Number	Description
1	1	8500292	HAT PROFILE 850
2	1	39106020	CONNECTION SCREW M6X20 STAINLESS TORX 30
3	1	39206037	SPLICING SLEEVE M6X37 STAINLESS TORX 30

Sales Bom



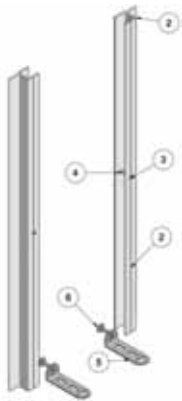
4100313 WALL MOUNTING LEFT AND RIGHT

Item	QTY	Part Number	Description
1	1	8500293	Y PROFILE 850
2	1	8500294	35X35 PROFILE 850
3	1	39106020	CONNECTION SCREW M6X20 STAINLESS TORX 30
4	1	39206037	SPLICING SLEEVE M6X37 STAINLESS TORX 30
5	2	9960009	CAP 35X35X2



3100063 POST PROFILE FOR FOUNDATION PLATE

Item	QTY	Part Number	Description
1	1	3110063	POST PROFILE WITH 2 CAPS
2	3	39206037	SPLICING SLEEVE M6X37 STAINLESS TORX 30
3	3	39106040	CONNECTION SCREW M6X40 STAINLESS STEEL
4	5	20037	MASTER CLAMP WASHER Ø10,5/45 1,5 A2
5	2	36308080	MUSHROOMHEADED BOLT M8X80 A2 DIN 603
6	2	33908001	LOCK NUT M8 A2 DIN 985



4100306 FRONT PART KIT

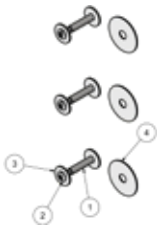
Item	QTY	Part Number	Description
2	2	8500293	Y PROFILE 850
3	4	39106020	CONNECTION SCREW M6X20 STAINLESS TORX 30
4	4	39206037	SPLICING SLEEVE M6X37 STAINLESS TORX 30
5	2	4950955	FLOOR ANGLE 133X44X39 MM A2
6	2	20037	MASTER CLAMP WASHER Ø10,5/45 1,5 A2

Sales Bom



4900128 BOLTKIT FOR WALL

Item	QTY	Part Number	Description
1	3	34908061	COUCH SCREW M8X60 A2 DIN 571
2	3	35600058	NUT WASHER Ø8X8,4/24/2 A2 DIN9021
3	3	39900120	WALL PLUG 10X50MM



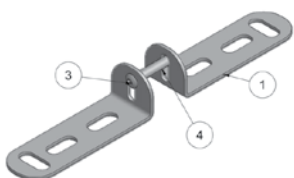
4900129 BOLTKIT FOR WASHING WALL AND FRONT PARTITION

Item	QTY	Part Number	Description
1	3	39206037	SPLICING SLEEVE M6X37 STAINLESS TORX 30
2	3	39106030	CONNECTION SCREW M6X30 STAINLESS TORX 30
3	6	35600058	NUT WASHER Ø8X8,4/24/2 A2 DIN9021
4	3	20037	MASTER CLAMP WASHER Ø10,5/45 1,5 A2



4900130 BOLT KIT UPROFILE AGAINST FEEDER

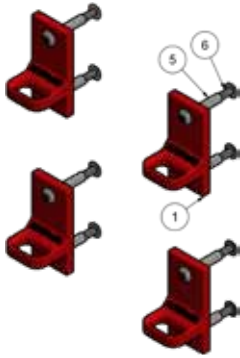
Item	QTY	Part Number	Description
1	3	30310025	SET SCREW M10X25 A2 DIN 933
2	6	35900085	NUT WASHER Ø10X10,5/30/2,5 A2DIN 9021
3	3	33900029	LOCK NUT M10 A2 DIN 985



4900700 SUPPORT FOUNDATION PLATE

Item	QTY	Part Number	Description
1	2	4950955	FLOOR ANGLE 133X44X39 MM A2
3	1	39106020	CONNECTION SCREW M6X20 STAINLESS TORX 30
4	1	39206037	SPLICING SLEEVE M6X37 STAINLESS TORX 30

Sales Bom



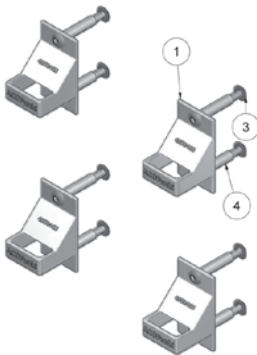
4900800 HINGER FOR FRONT PART PVC

Item	QTY	Part Number	Description
1	4	8500275	HINGER FOR FRONTPARTITION PVC
5	8	39206037	SPLICING SLEEVE M6X37 STAINLESS TORX 30
6	8	39106030	CONNECTION SCREW M6X30 STAINLESS TORX 30



4900801 HINGER FOR HATPROFILE

Item	QTY	Part Number	Description
1	2	8500271	HINGER FOR HATPROFILE PVC
3	4	39206037	SPLICING SLEEVE M6X37 STAINLESS TORX 30
4	4	39106030	CONNECTION SCREW M6X30 STAINLESS TORX 30



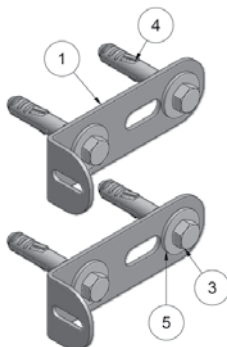
4900850 HINGER FOR FRONT PART STAINLESS STEEL

Item	QTY	Part Number	Description
1	4	4950463	HINGER FOR Y-OR U-PROFILE STAINLESS STEEL
3	8	39106020	CONNECTION SCREW M6X20 STAINLESS TORX 30
4	8	39206037	SPLICING SLEEVE M6X37 STAINLESS TORX 30



4900851 HINGER FOR HAT PROFILE STAINLESS

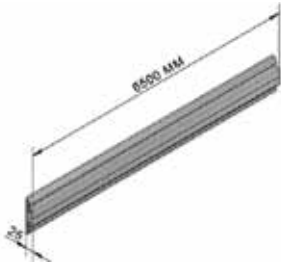
Item	QTY	Part Number	Description
1	4	39106020	CONNECTION SCREW M6X20 STAINLESS TORX 30
2	4	39206037	SPLICING SLEEVE M6X37 STAINLESS TORX 30
3	2	4950465	HINGER FOR HAT PROFILE STAINLESS STEEL



4900591 MOUNTING KIT FOR WALL MOUNTING

Item	QTY	Part Number	Description
1	2	4950955	FLOOR ANGLE 133X44X39 MM A2
3	4	34910070	COUCH SCREW M10X70 A2 DIN 571
4	4	39900001	WALL PLUG 12X60 MM
5	4	35900085	NUT WASHER Ø10X10,5/30/2,5 A2DIN 9021

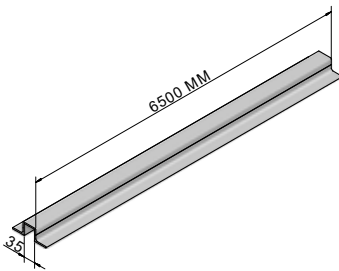
PVC profiles



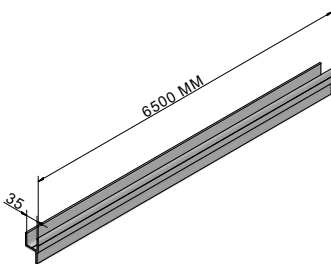
Part Number	Description
2900357	POST PROFILE PVC 6,5 METER



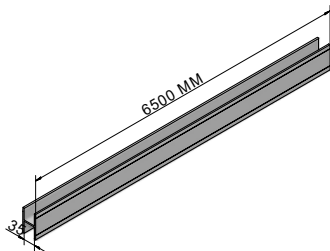
Part Number	Description
2900358	U-PROFILE PVC 6,5 METER



Part Number	Description
2900359	HATPROFILE PVC 6,5 METER

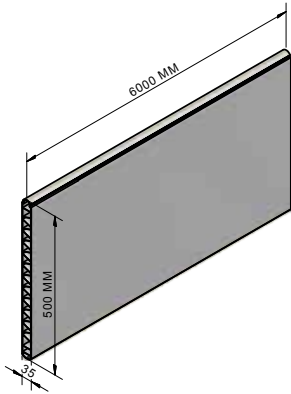


Part Number	Description
2900360	Y-PROFILE PVC 6,5 METER



Part Number	Description
2900361	H-PROFILE PVC 6,5 METER

PVC profiles/grille



Part Number	Description
9340401	BOARDPROFIL 35X850 FLAT/FLAT SPEC. LENGHT PRICE PER METER



Part Number	Description
4450721	SS GRILL H85 L:1017 MM

Description for Funkiflex finisher

Procedure

1. U-profiles to be mounted into floor and wall.
2. Mounting of PVC board profiles and posts.
3. The pen is measured.
4. Foot plates are fixed to floor.
5. Partitions and doors towards corridor are mounted.

Running and maintenance

- Pens for finisher, delivered by ACO Funki, has a dimension for finisher with a weight interval of 6-110 kg.
- Reservation is taken for inappropriate behavior from the staff, such as heavy beating, use of wrong tools, etc.
- Reservation is taken for inappropriate behavior from pigs, caused by external stress, etc
- The warranties do not cover ordinary wear and accidental damages.
- PVC Board profiles and other PVC parts must not be cleaned by high-pressure cleaning for longer periods with a constant beam, and/or with increased pressure from a short distance. The recommended pressure is max. 180 bar.
- Heating lamp, gear, motor, motor protection, controllers, signals, hand witch, relies system etc. must not be cleaned by high pressure cleaner.
- Cover for piglets must not be cleaned on the side with high pressure cleaner.
- Reservation is taken for inappropriate use of chemicals in connection with cleaning that could discolor or harm in form of etching.
- All water systems have to be cleaned frequently and decalcified.
- In connection with cleaning, the stable must dry out, in order for the components not to be exposed to constant moisture.
- All mounted and movable parts must be cleaned ongoing, retighten and lubricated. However if the parts gets lose within the first month after start up, ACO Funki has to be contacted immediately. We recommend lubricating with grease and oil on all movable iron parts, like hinges, locks, gates, brackets, corner wheels, drive units etc.
- All wearing part is not reclaimable, because these parts are considered as consumables.
- Smaller spots of corrosion on stainless steel parts must be expected. Warranties are only valid for rust perforation.
- ACO Funki products can be damaged by outdoors storage. We recommend maximum 1 month outdoors storage. However one can expect changes in the surface such as discoloring, rust spots etc. already within the first month.
- ACO Funkis complaint-handling is according to current legislation.