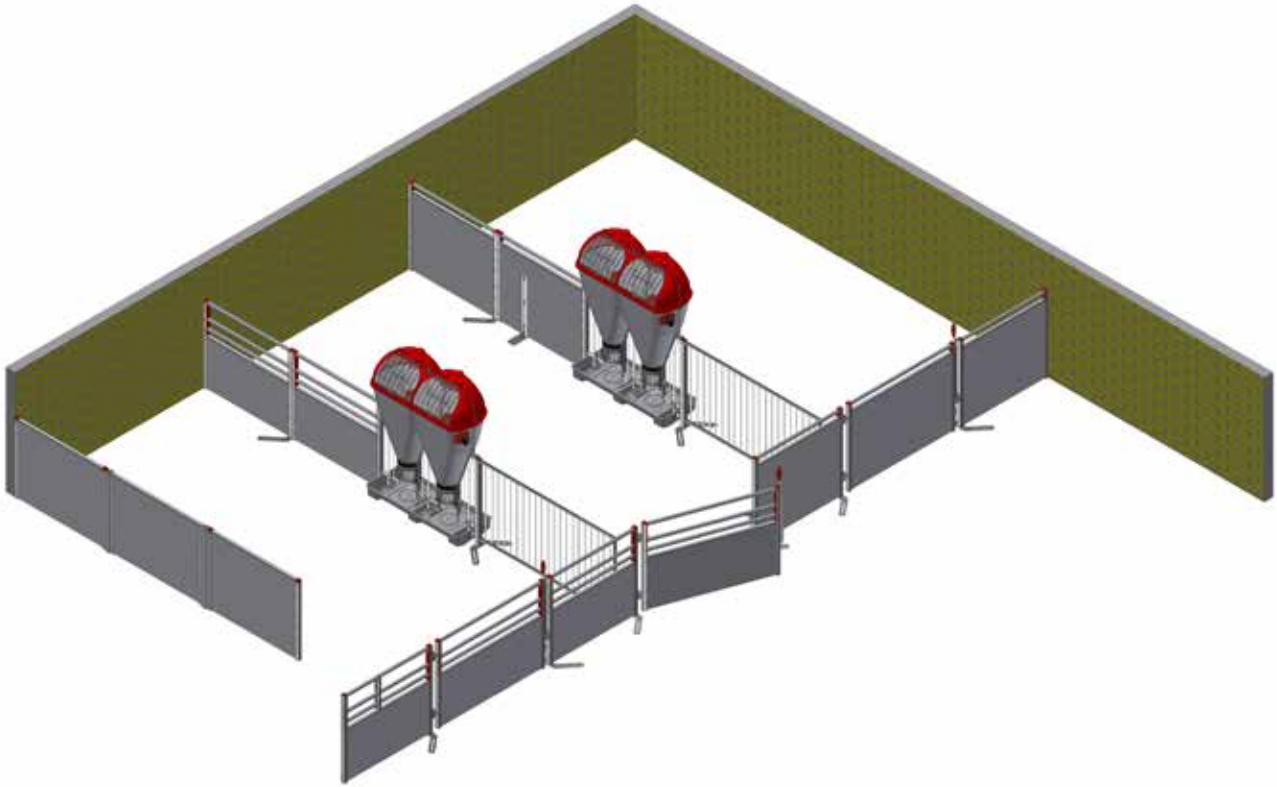


MOUNTING INSTRUCTION



CLEAN-O-FLEX 850 WITH PIN LOCK

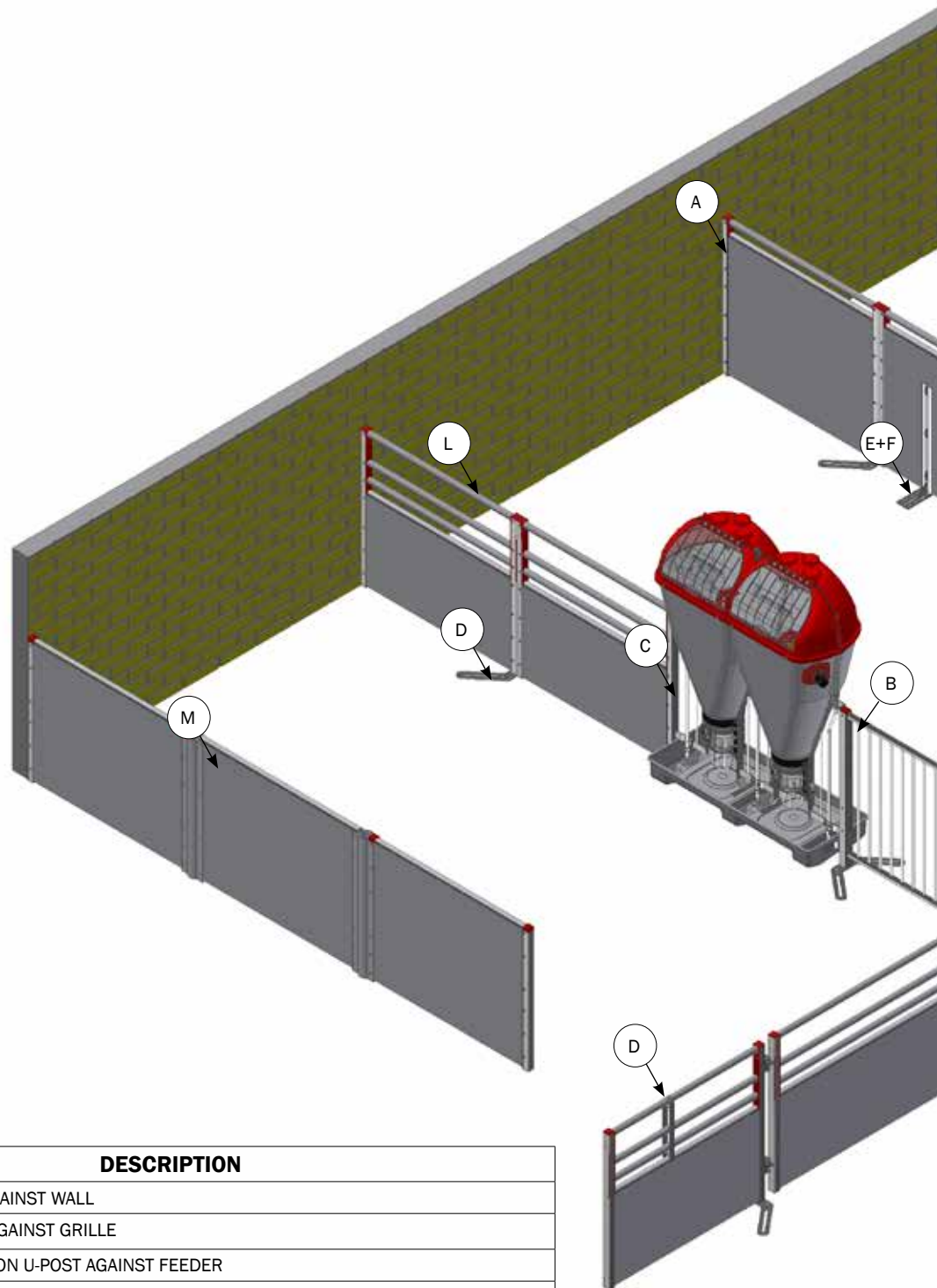


ACO FUNKI A/S
Kirkevænget 5
DK-7400 Herning

Tel. +45 9711 9600
Fax +45 9711 9677
www.acofunki.com

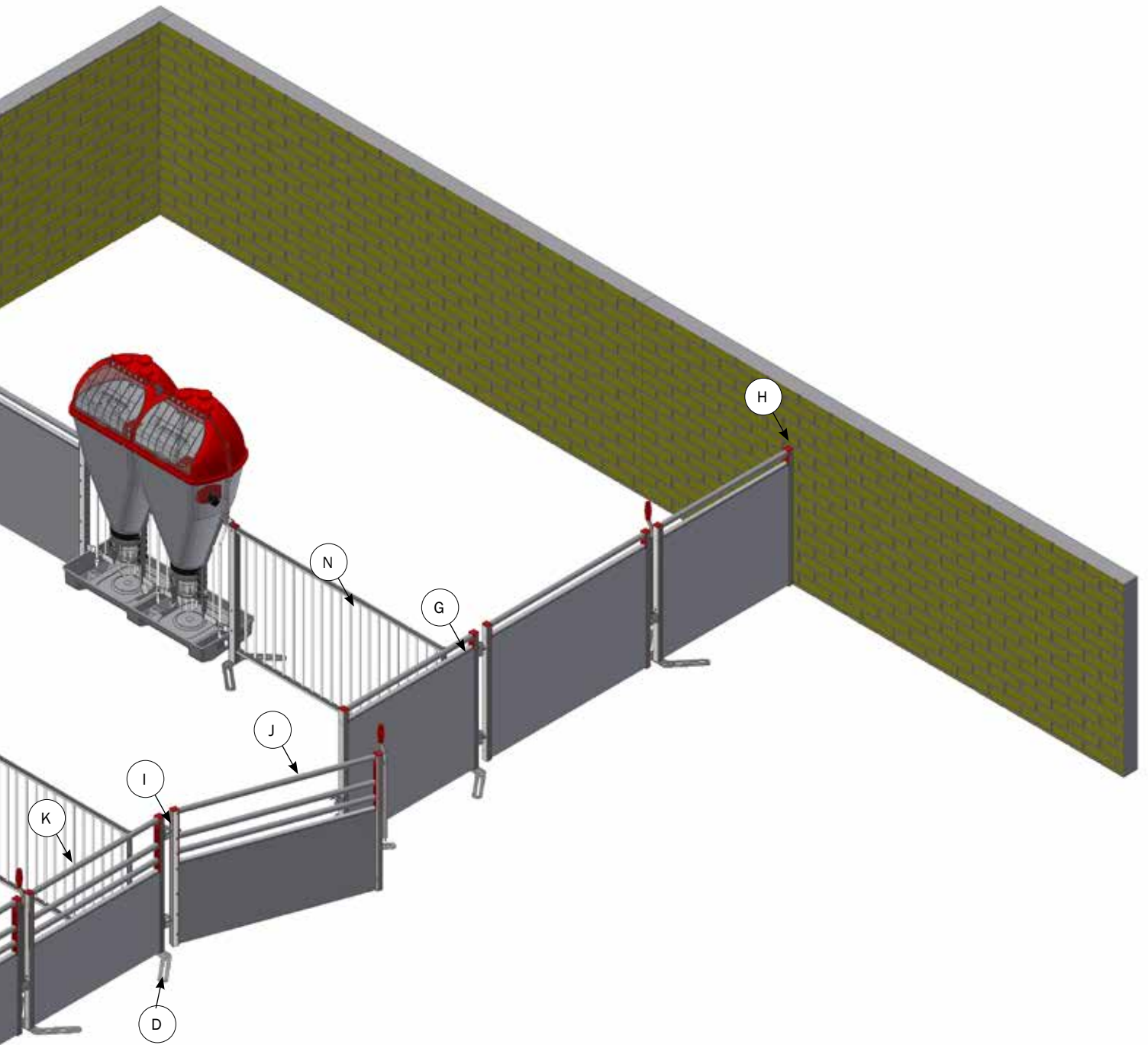
DANISH DESIGN | GERMAN QUALITY | GLOBAL EXPERIENCE

PRODUCT AND MOUNTING OVERVIEW FOR CLEAN-O-FLEX 850 WITH PIN LOCK

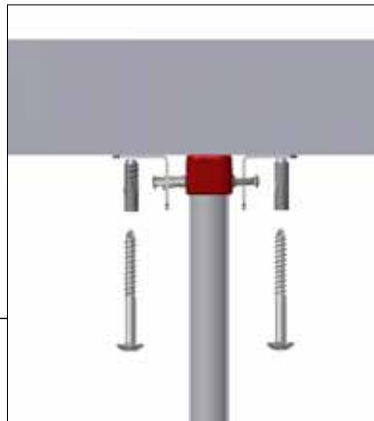
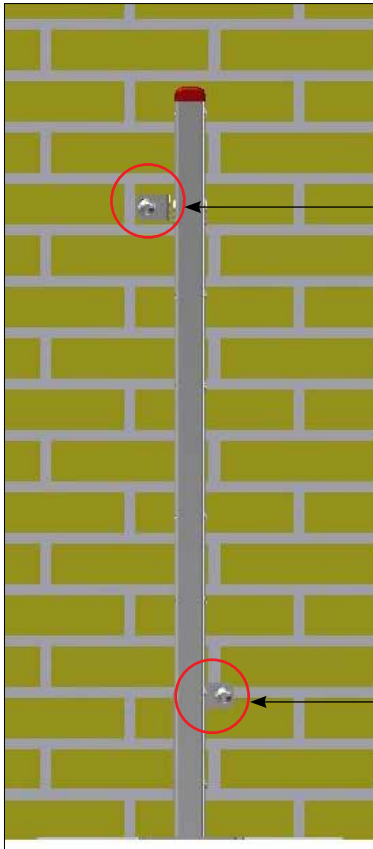


NO.	SIDE	DESCRIPTION
A	4	MOUNTING OF U-POST AGAINST WALL
B	5	MONTERING AF U-POST AGAINST GRILLE
C	6	MOUNTING OF BRACKET ON U-POST AGAINST FEEDER
D	7	MOUNTING OF LOOSE FOUNDATION/ STABILIZATION FOR BARS
E	8	STABILIZATION
F	9-10	STABILIZATION IN RESTING AREA WITH POST FOR BOARDPROFILE
G	11-13	MOUNTING AGAINST FRONT PART
H	14	MOUNTING OF FRONT PART AGAINST WALL
I	15-16	MOUNTING OF GATE AGAINST WALL
J	17-18	PART LIST OF GATE H85
K	19-31	PART LIST OF UNASSAMBLED FRONT PART WITH HANGER AND DROP LATCH H85
L	30-34	PART LIST OF UNASSAMBLED SIDE H85
M	35-38	PART LIST OF UNASSAMBLED LIQUIDFEED WALL H85
N	39	OVERVIEW OF GRILLE H85

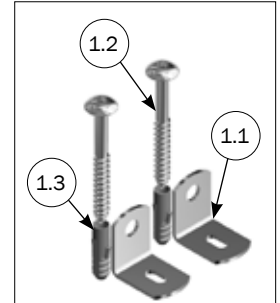
M-6230_GB



MOUNTING OF U-POST AGAINST WALL

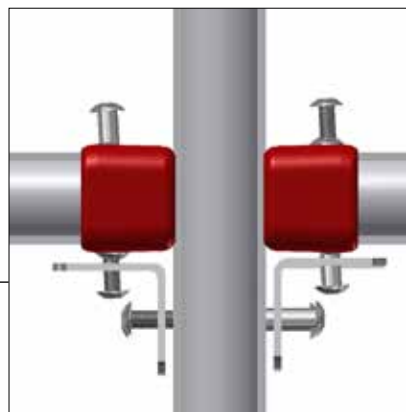
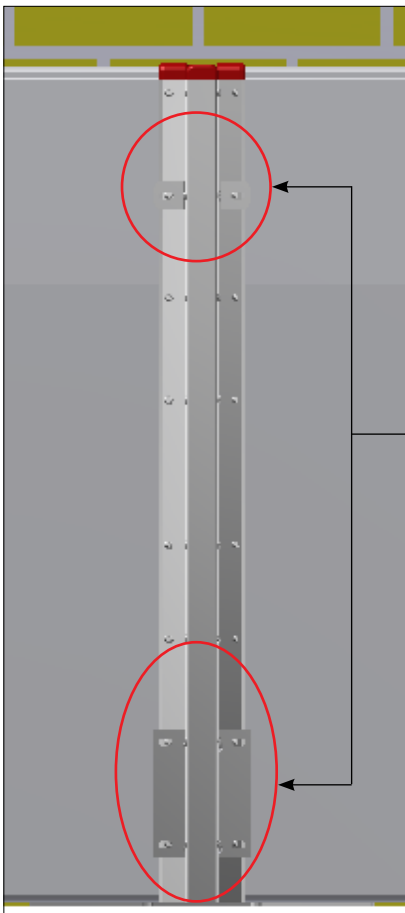


Bracket is Mounted with connection screw from post.

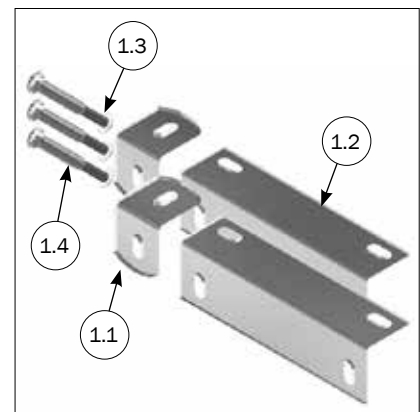


PARTS LIST			
NO.	PCS.	ITEM NO.	DESCRIPTION
1	1	38520	MOUNT KIT FOR U-POST AGAINST WALL
1.1	2	30906	WALL BRACKET ANGLE/PANEL
1.2	2	67444	10 X 70 BUTTON HEAD TORX 50 STAINLESS STEEL
1.3	2	39900001	WALL PLUG 12X60 MM

MOUNTING OF U-POST AGAINST DOUBLE PANELWALL

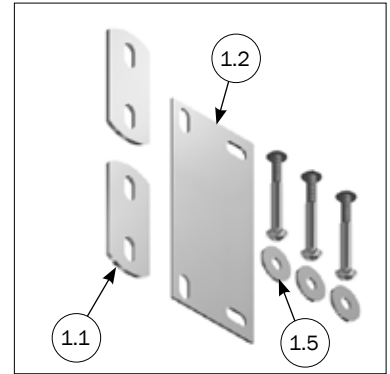
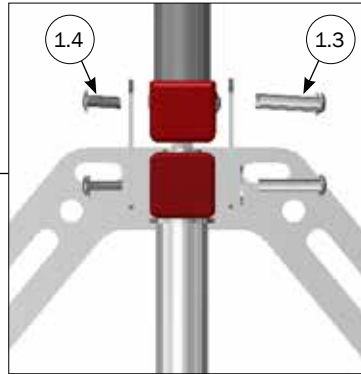
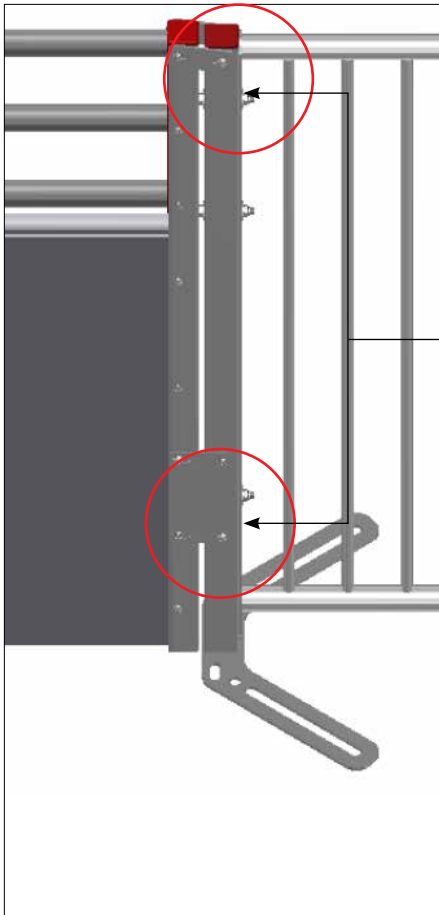


For mounting only 1 wall look at page 13



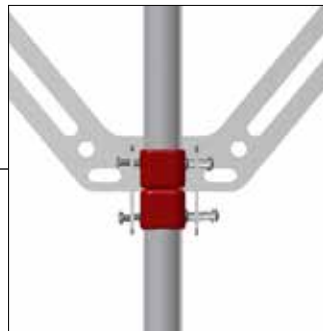
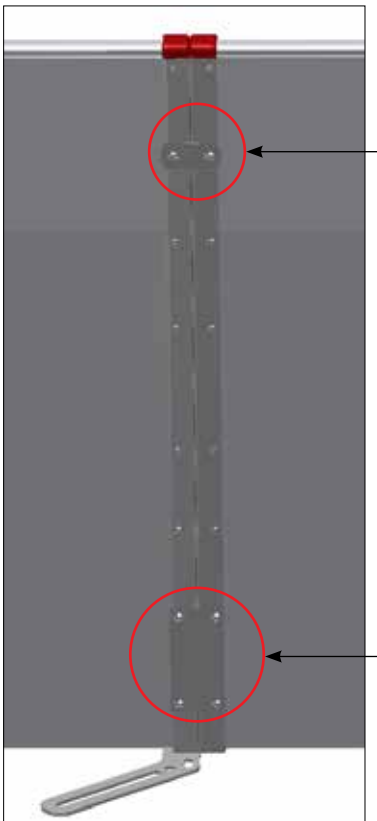
PARTS LIST			
NO.	PCS.	ITEM NO.	DESCRIPTION
1	1	38530	MOUNT KIT F/UPOST DOUBLE AGAINST PANELWALL
1.1	2	30900	WALL BRACKET SMALL
1.2	2	30901	ANGLE BRACKET, LONG
1.3	3	39106020	CONNECTION SCREW M6X20 STAINLESS TORX 30
1.4	3	39206037	SPLICING SLEEVE M6X37 STAINLESS TORX 30

MOUNTING OF U-POST AGAINST GRILLE

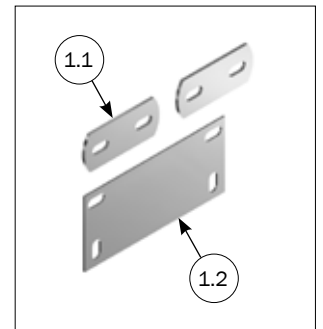


PARTS LIST			
NO.	PCS.	ITEM NO.	DESCRIPTION
1	1	38525	MOUNT KIT F/U-POST AGAINST GRILLE
1.1	2	30902	ASSEMBLY BRACKET FLAT IRON, SMALL
1.2	1	30903	ASSEMBLY BRACKET FLAT IRON, LARGE
1.3	3	39206037	SPLICING SLEEVE M6X37 STAINLESS TORX 30
1.4	3	39106020	CONNECTION SCREW M6X20 STAINLESS TORX 30
1.5	3	35600058	NUT WASHER Ø8X8,4/24/2 A2 DIN9021

MOUNTING OF 2 SIDES IN EXTENSION OF EACH OTHER

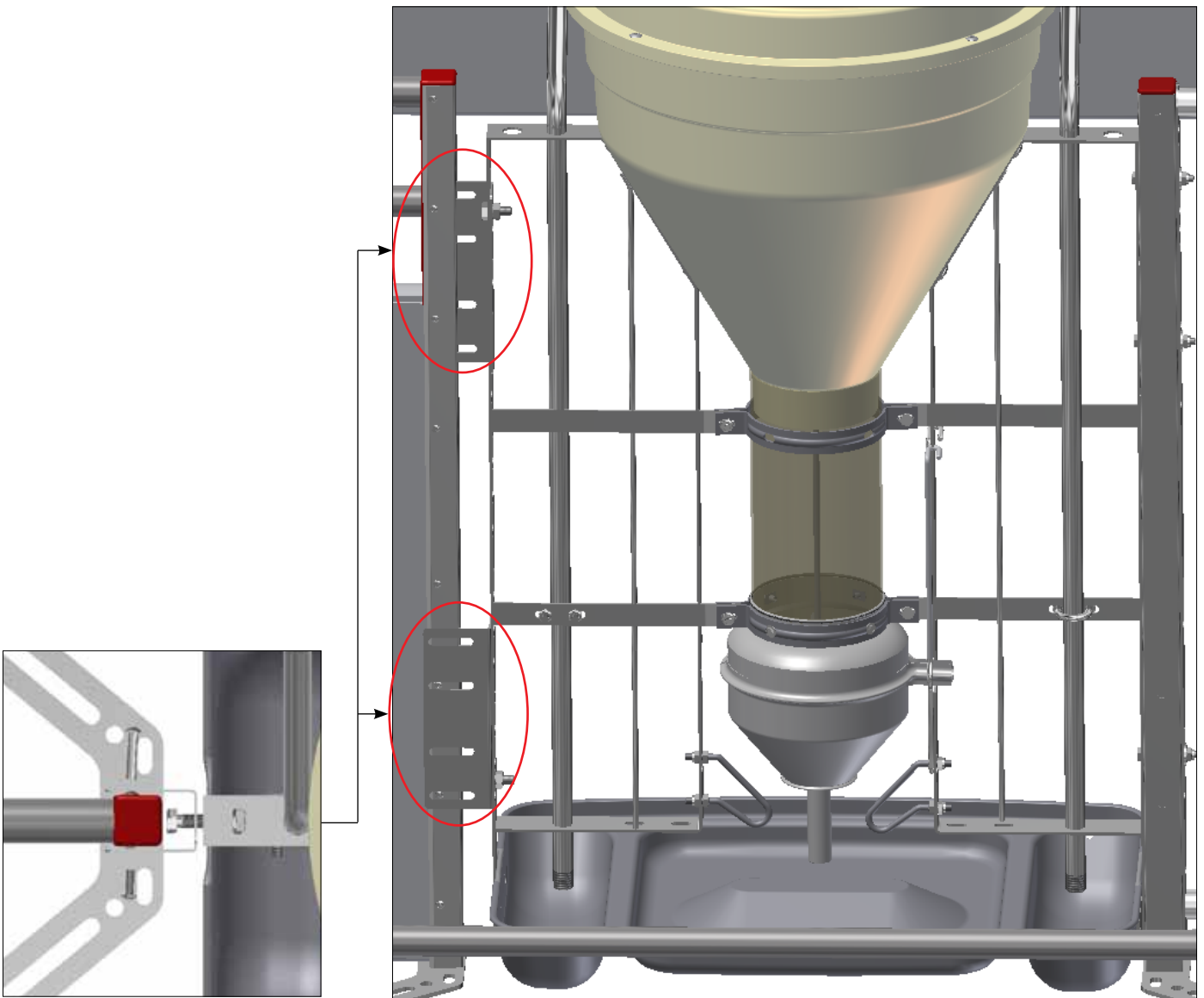


Bracket is Mounted with connection screw from post.

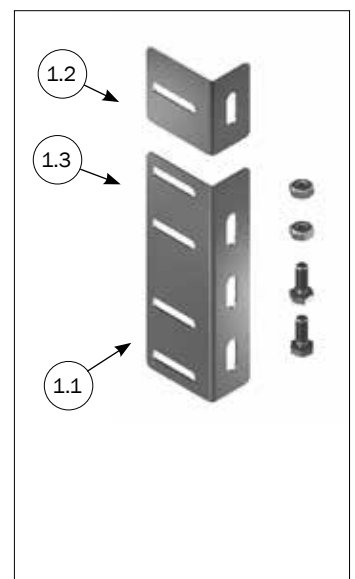


PARTS LIST			
NO.	PCS.	ITEM NO.	DESCRIPTION
1	1	38522	BRACKET FOR MOUNTING 2 SIDES IN EXTENSION OF EACH OTHER
1.1	2	30902	ASSEMBLY BRACKET FLAT IRON, SMALL
1.2	1	30903	ASSEMBLY BRACKET FLAT IRON, LARGE

MOUNTING OF BRACKET ON U-POST AGAINST FEEDER

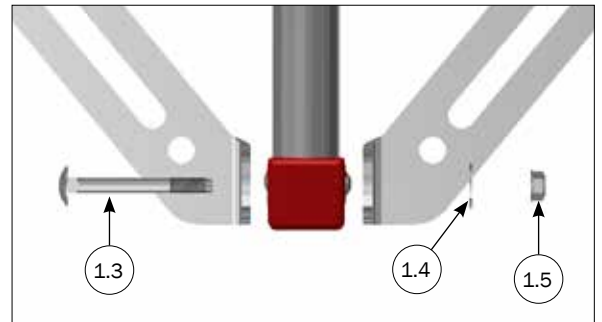


Bracket is Mounted with connection screw from post.

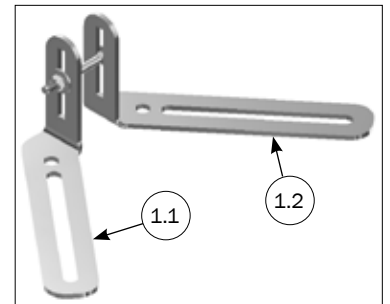


PARTS LIST			
NO.	PCS.	ITEM NO.	DESCRIPTION
1	1	38524	MOUNT KIT FOR U-POST AGAINST FEEDERS
1.1	2	30904	TUBE-O-MAT® BRACKET
1.2	2	30310025	SET SCREW M10X25 A2 DIN 933
1.3	2	33510017	NUT M10 A2 DIN 934

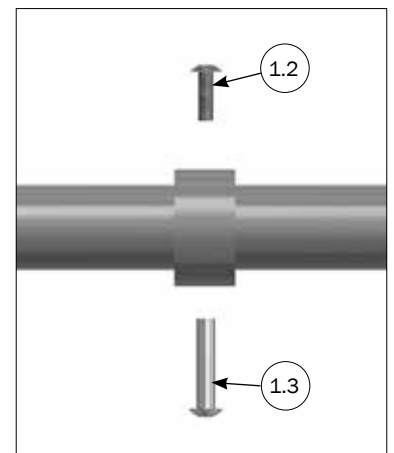
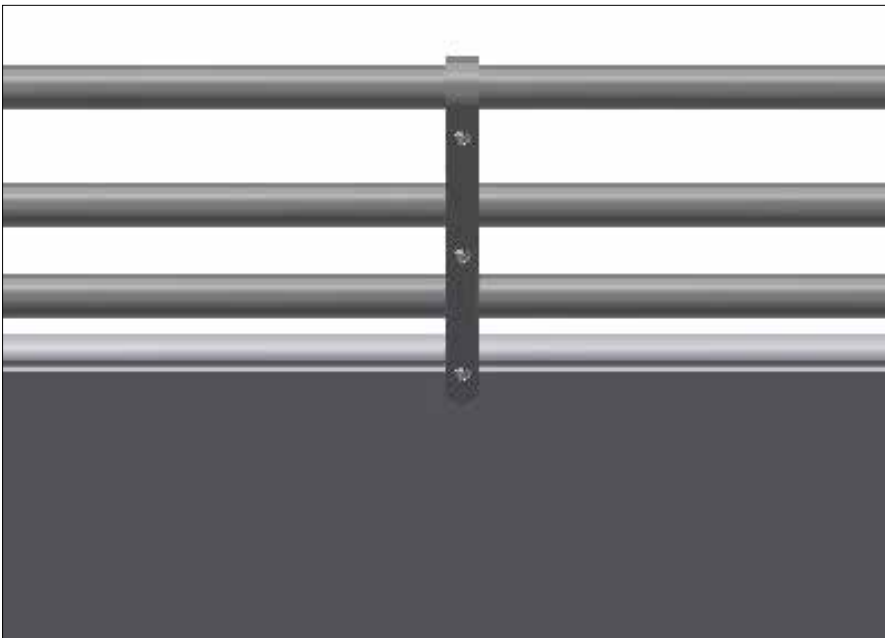
MOUNTING OF LOOSE FOUNDATION



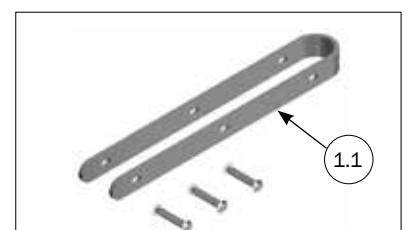
PARTS LIST			
NO.	PCS.	ITEM NO.	DESCRIPTION
1	1	4900803	LOOSE FOUNDATION SET LEFT AND RIGHT
1.1	1	8450702	HALF FOOT PLATE RIGHT STAINLESS STEEL
1.2	1	8450701	HALF FOOT PLATE LEFT STAINLESS STEEL
1.3	1	36308075	MUSHROOMHEADED BOLT M8X75 A2 DIN 603
1.4	1	35600058	NUT WASHER Ø8X8,4/24/2 A2 DIN9021
1.5	1	68552	M8 FLANGE NUT DIN 6923 A2



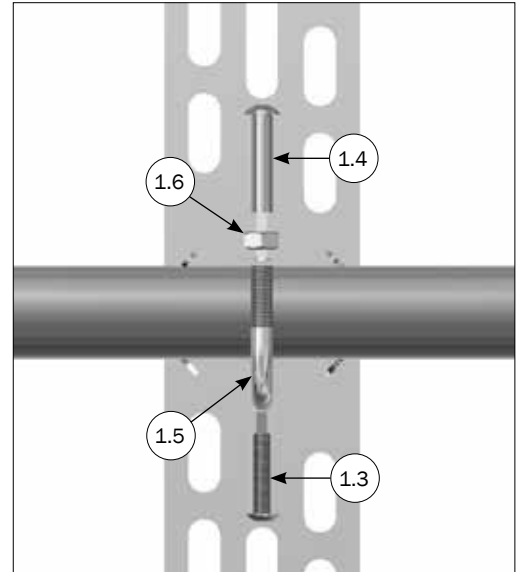
STABILIZATION FOR BARS



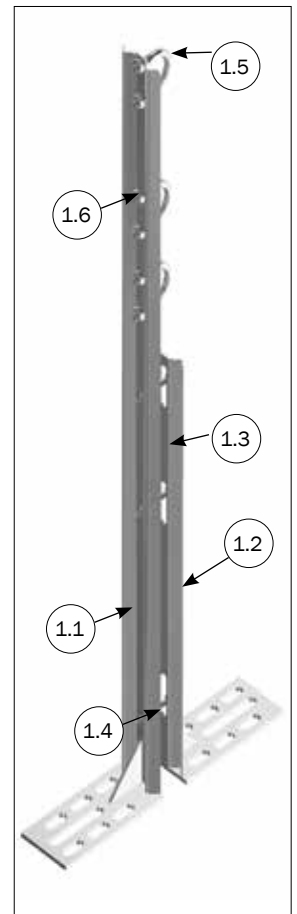
PARTS LIST			
NO.	PCS.	ITEM NO.	DESCRIPTION
1	1	4900331	SUPPORT FOR BOARDPROFILE AND BARS, INCL SCREWS
1.1	1	4920331	SUPPORT FOR PANEL AND BARS
1.2	3	39106020	CONNECTION SCREW M6X20 STAINLESS TORX 30
1.3	3	39206037	SPLICING SLEEVE M6X37 STAINLESS TORX 30



STABILIZATION



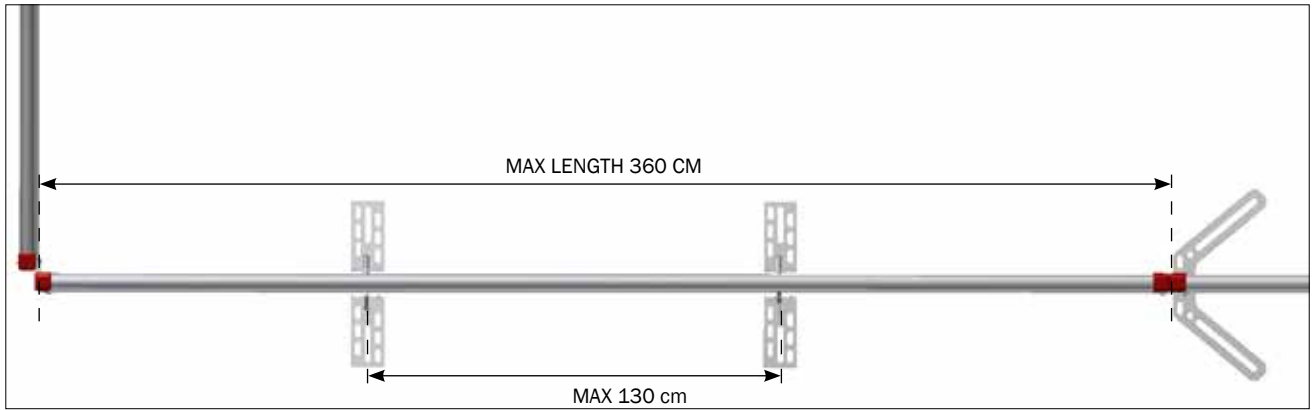
If partition has a length for 2500 mm or more, **must** stabilization post be mounted.



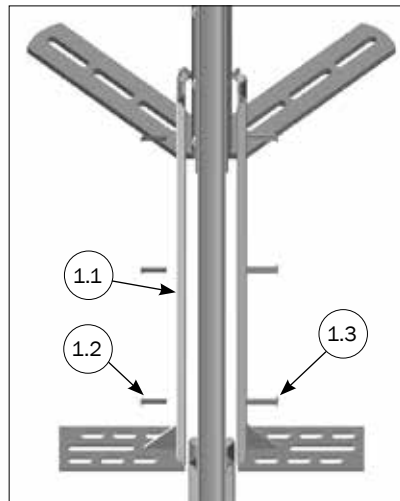
PARTS LIST

NO.	PCS.	ITEM NO.	DESCRIPTION
1	1	4200545	STABILISATION POST BOARDPROFILE/3 BARS H85 EX. BOLT FOR FLOOR
1.1	1	4250545	STABILISATIONS POST H85 CM
1.2	3	38917	STABILIZATION POST H50 CLEAN-O-FLEX 49,5 CM
1.3	3	39106020	CONNECTION SCREW M6X20 STAINLESS TORX 30
1.4	3	39206037	SPLICING SLEEVE M6X37 STAINLESS TORX 30
1.5	3	90100062	U-BOLT 1' STAINLESS
1.6	6	33508013	NUT M8 A2 DIN 934

STABILIZATION IN RESTING AREA WITH POST FOR BOARDPROFILE



For stabilization in resting area must there for each 130 cm be mounted: "38923"

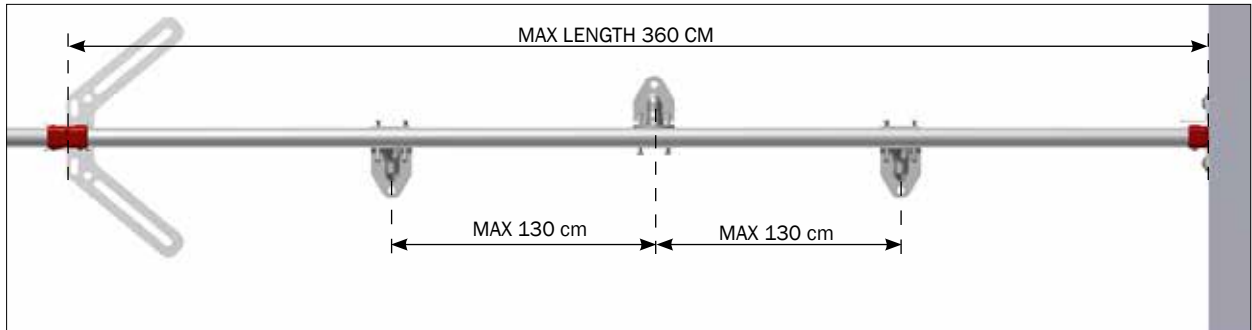


38923
STABILIZATION POST BOARDPROFILE H75/
H100 EX. BOLT FOR FLOOR



PARTS LIST			
NO.	PCS.	ITEM NO.	DESCRIPTION
1	1	38923	STABILIZATION POST BOARDPROFILE H75/H100 EX. BOLT FOR FLOOR
1.1	2	38910	STABILIZATIONS POST H75 CLEAN-O-FLEX 63 CM
1.2	3	39106020	CONNECTION SCREW M6X20 STAINLESS TORX 30
1.3	3	39206037	SPLICING SLEEVE M6X37 STAINLESS TORX 30

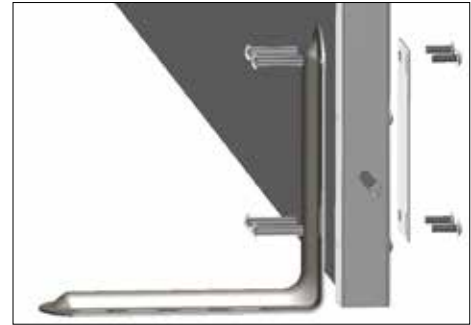
STABILIZATION IN RESTING AREA



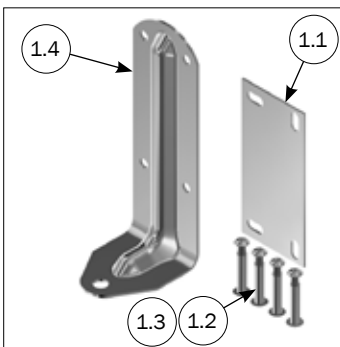
For stabilization in resting area must
for each 130 cm be mounted:
"4900802 or"4900806"



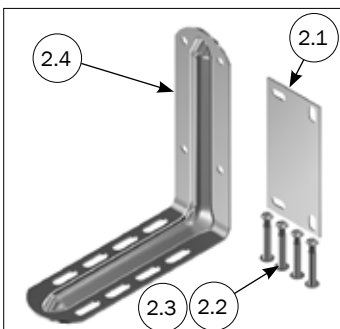
4900806
SUPPORT FOUNDATION FOR CONCRETE
CLEAN-O-FLEX



4900802
SUPPORT FOUNDATION FOR SLATS
CLEAN-O-FLEX

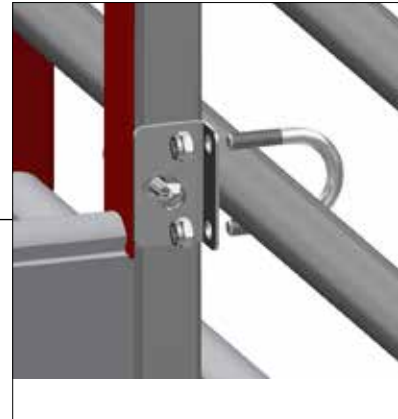
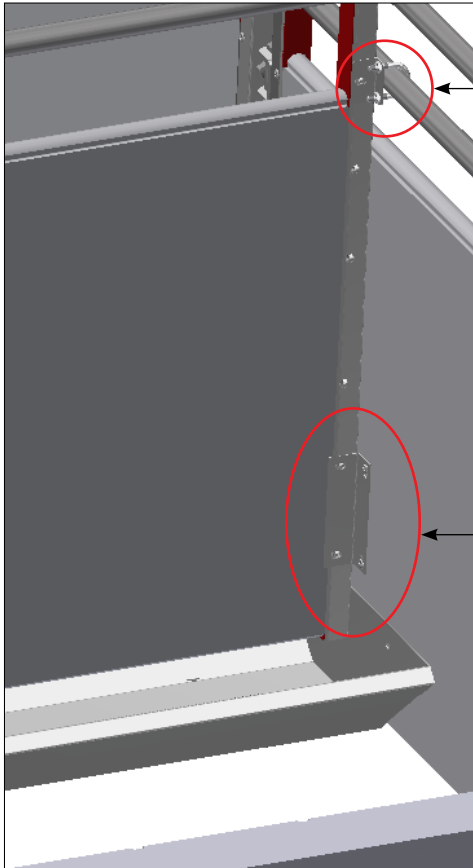


PARTS LIST			
NO.	PCS.	ITEM NO.	DESCRIPTION
1	1	4900806	SUPPORT FOUNDATION FOR CONCRETE CLEAN-O-FLEX
1.1	1	30903	ASSEMBLY BRACKET FLAT IRON, LARGE
1.2	4	39106020	CONNECTION SCREW M6X20 STAINLESS TORX 30
1.3	4	39206037	SPLICING SLEEVE M6X37 STAINLESS TORX 30
1.4	1	30806	SINGLE FOOTBRACKET FOR CONCRET

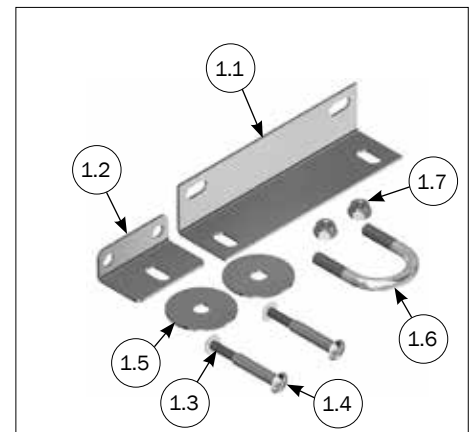


PARTS LIST			
NO.	PCS.	ITEM NO.	DESCRIPTION
2	1	4900802	SUPPORT FOUNDATION FOR SLATS CLEAN-O-FLEX
2.1	1	30903	ASSEMBLY BRACKET FLAT IRON, LARGE
2.2	4	39106020	CONNECTION SCREW M6X20 STAINLESS TORX 30
2.3	4	39206037	SPLICING SLEEVE M6X37 STAINLESS TORX 30
2.4	1	30802	SINGLE FOOTBRACKET FOR SLATS

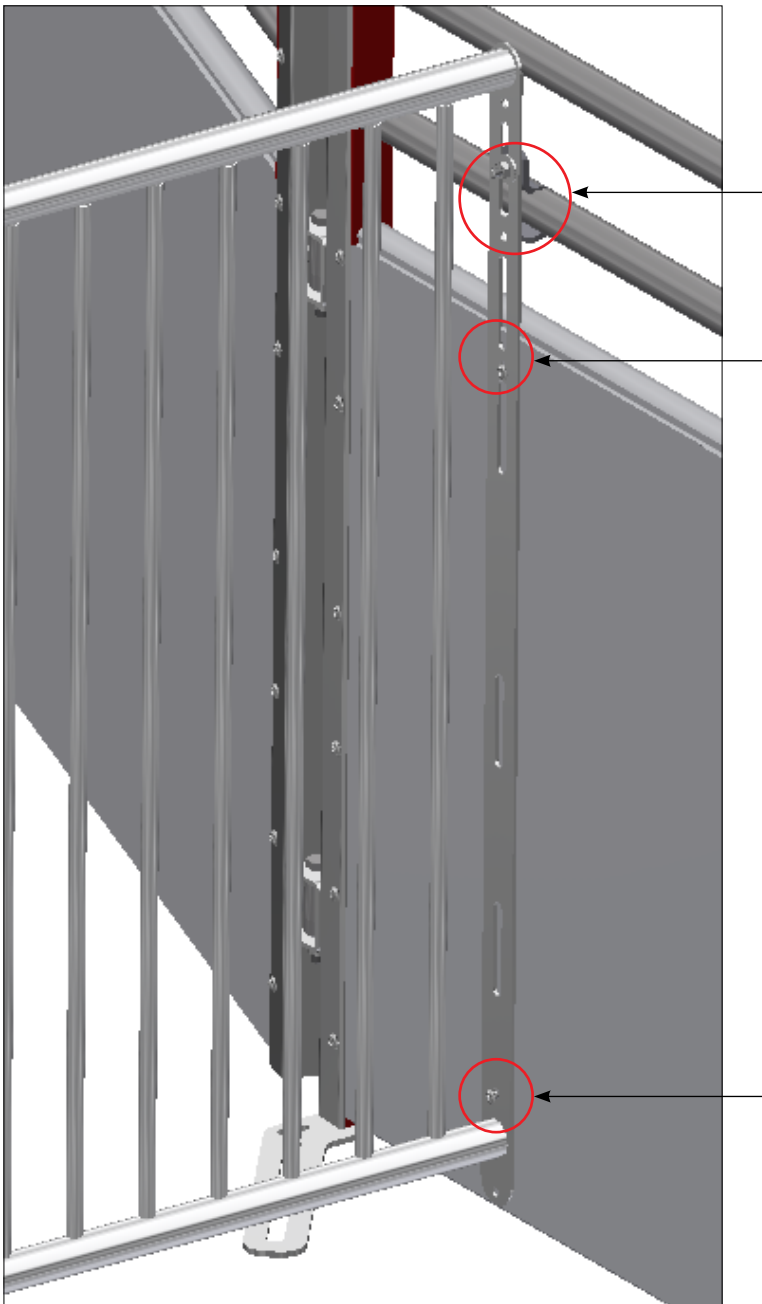
MOUNTING OF U-POST AGAINST FRONT PART BOARDPROFILE/BARS



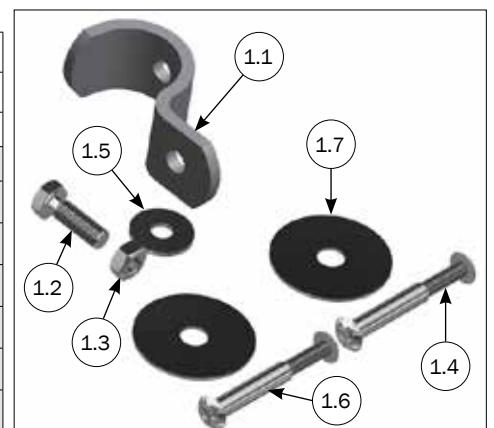
PARTS LIST			
NO.	PCS.	ITEM NO.	DESCRIPTION
1	1	38527	MOUNT KIT F/U-POST AGAINST FRONT PART BOARDPROFILE/BARS
1.1	1	30901	ANGLE BRACKET, LONG
1.2	1	30898	ANGLE BRACKET FOR TOPBAR SMALL
1.3	2	39106020	CONNECTION SCREW M6X20 STAINLESS TORX 30
1.4	2	39206037	SPLICING SLEEVE M6X37 STAINLESS TORX 30
1.5	2	20037	MASTER CLAMP WASHER Ø10,5/45 1,5 A2
1.6	1	90100062	U-BOLT 1' STAINLESS
1.7	2	33908001	LOCK NUT M8 A2 DIN 985



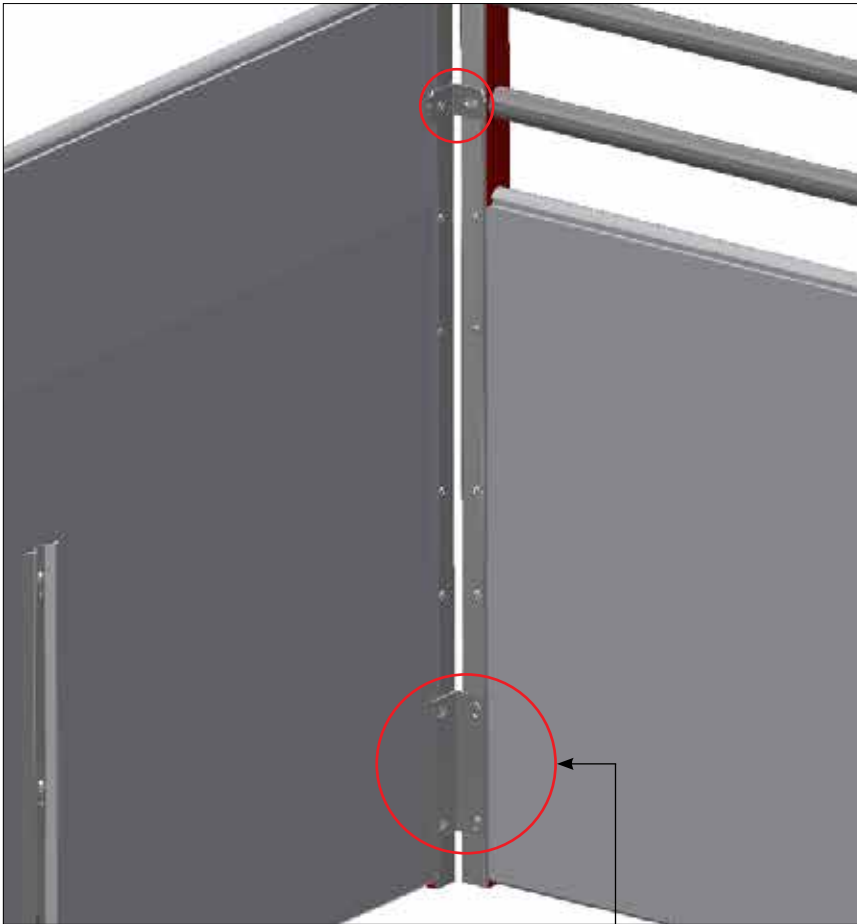
MOUNTING OF GRILLE AGAINST FRONT PART BOARDPROFILE/BARS



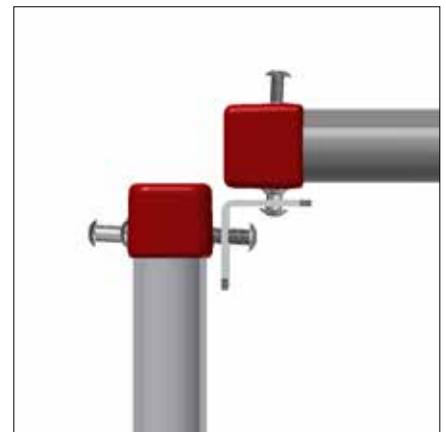
PARTS LIST			
NO.	PCS.	ITEM NO.	DESCRIPTION
1	1	38528	MOUNT KIT F/GRILLE H75-100 AGAINST FRONT PART BOARDPROFILE/BARS
1.1	1	1620081	PIPE FITTING FOR 1" PIPE W/Ø9HOLE
1.2	1	30308025	SET SCREW M8X25 A2 DIN 933
1.3	1	33508013	NUT M8 A2 DIN 934
1.4	2	39106020	CONNECTION SCREW M6X20 STAINLESS TORX 30
1.5	1	35600058	NUT WASHER Ø8X8,4/24/2 A2 DIN9021
1.6	2	39206037	SPLICING SLEEVE M6X37 STAINLESS TORX 30
1.7	2	20037	MASTER CLAMP WASHER Ø10,5/45 1,5 A2



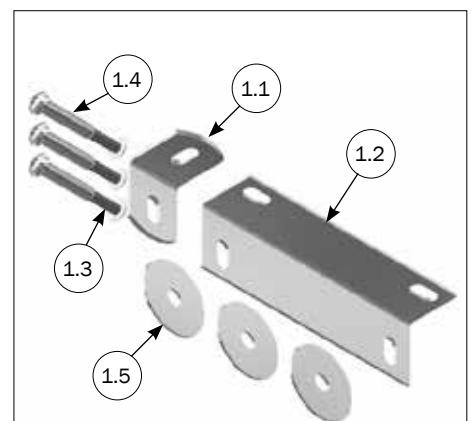
MOUNTING OF ANGLE BRACKET



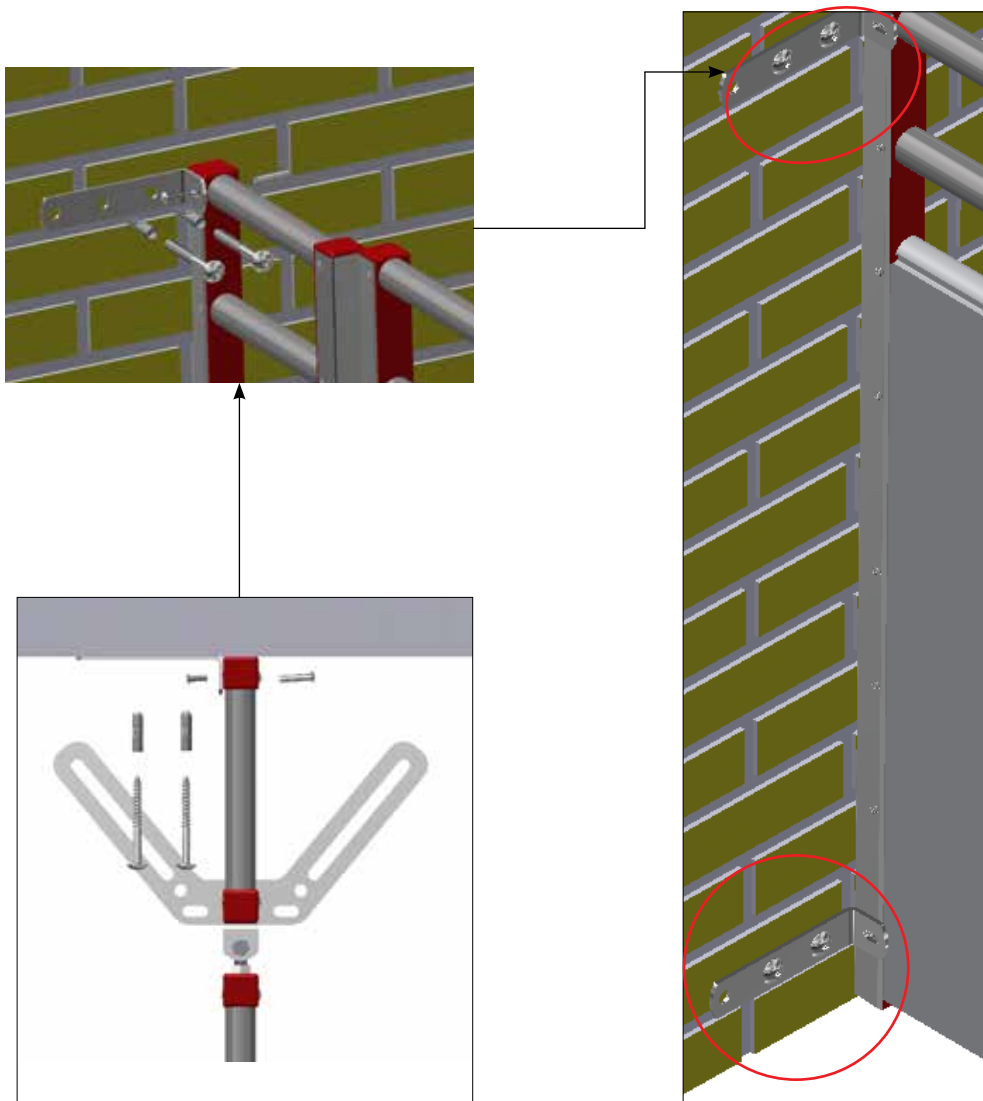
Bracket on U-post is mounted with connection screw from post
POS 1.3-1.4 og 1.5 is not in use.



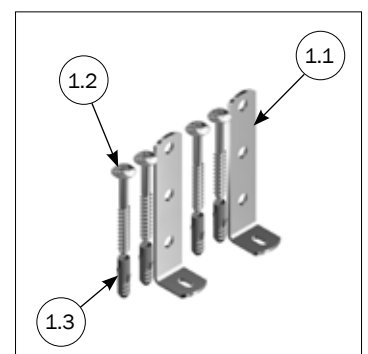
PARTS LIST			
NO.	PCS.	ITEM NO.	DESCRIPTION
1	1	38526	MOUNT KIT F/UPOST AGAINST FRONT PART BOARDPROFILE
1.1	1	30900	WALL BRACKET SMALL
1.2	1	30901	ANGLE BRACKET, LONG
1.3	3	39106020	CONNECTION SCREW M6X20 STAINLESS TORX 30
1.4	3	39206037	SPLICING SLEEVE M6X37 STAINLESS TORX 30
1.5	3	20037	MASTER CLAMP WASHER Ø10,5/45 1,5 A2



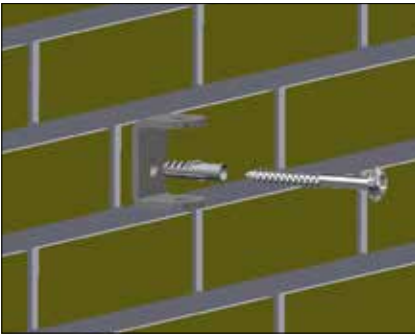
MOUNTING OF FRONT PART AGAINST WALL



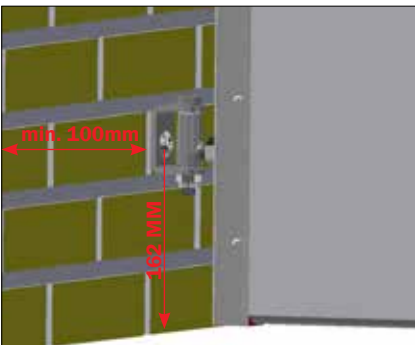
PARTS LIST			
NO.	PCS.	ITEM NO.	DESCRIPTION
		38519	MOUNTING KIT FOR FRONT PART AGAINST WALL
1.1	2	30899	BRACKET FOR WALL LONG
1.2	4	67444	10 X 70 BUTTON HEAD TORX 50 STAINLESS STEEL
1.3	4	39900001	WALL PLUG 12X60 MM



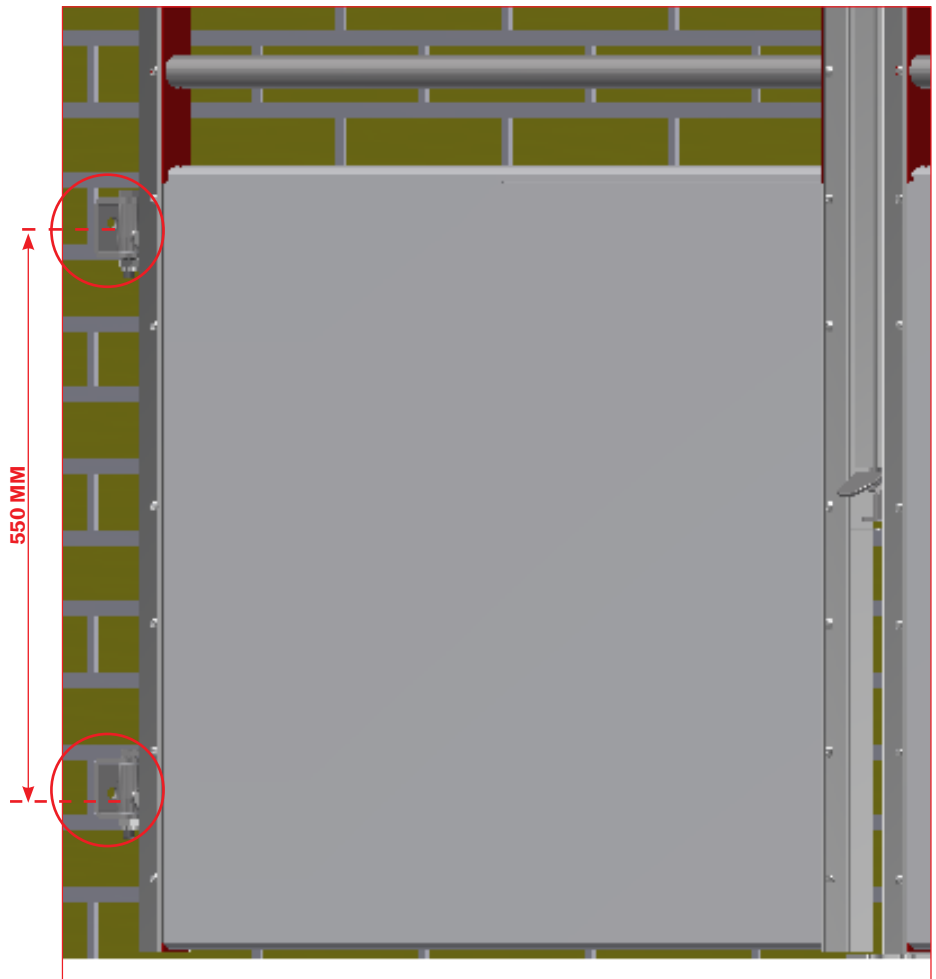
MOUNTING OF GATE AGAINST WALL



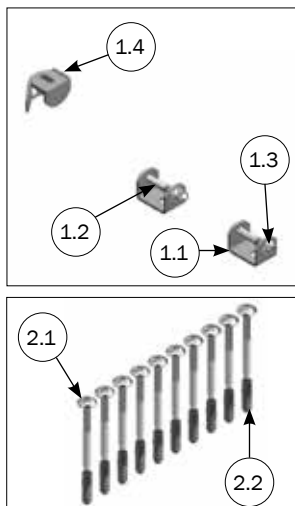
For mounting on wall use "4800010"
10 PCS. SS BUTTON HEAD SCREWS
10X70 + WALL PLUG



Distance from edge of wall to bracket min. 100mm
Distance from floor to center hole in bracket is: 162mm

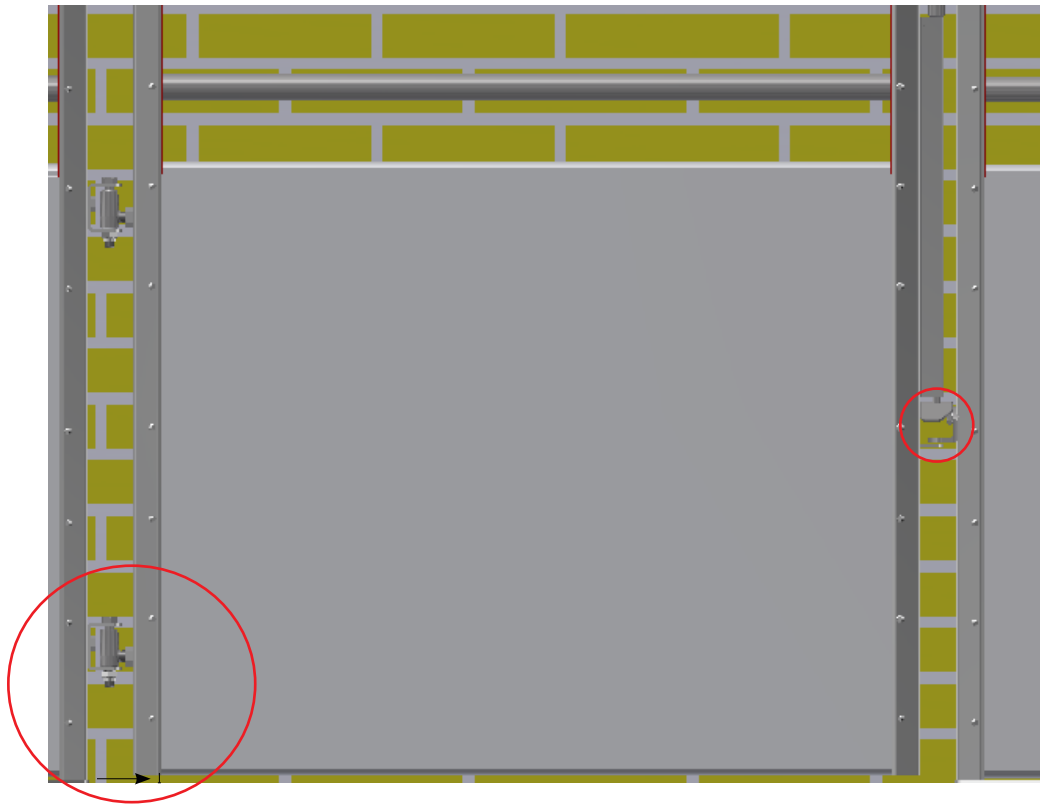


When mounting the gate against wall is **POS. 1.4** not in use.

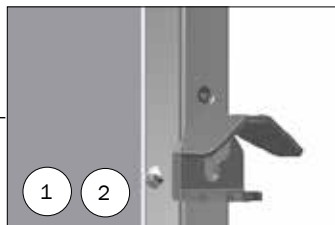


PARTS LIST			
NO.	PCS.	ITEM NO.	DESCRIPTION
1	1	4000904	KIT FOR GATE WITH PIN BOLT
1.1	2	29715HG	INN-O-FLEX HINGE BRACKET
1.2	2	67549	12 X 80 HEX HEAD BOLT A2
1.3	2	33912000	LOCK NUT M12 A2 DIN 985
1.4	1	1915043	DROP LATCH 40 MM.
	1	4800010	10 PCS. SS BUTTON HEAD SCREWS 10X70 + WALL PLUG
2.1	10 (2)	67444	10 X 70 BUTTON HEAD TORX 50 STAINLESS STEEL
2.2	10 (2)	39900001	WALL PLUG 12X60 MM

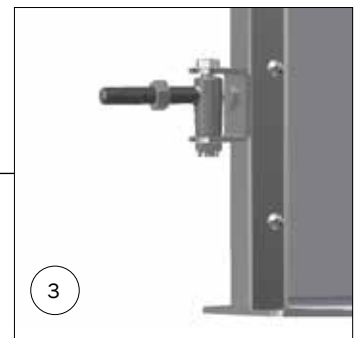
ADJUSTMENT OF GATE



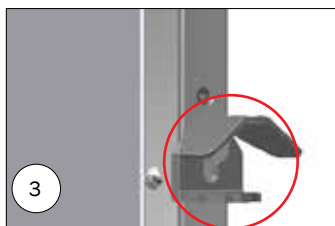
1
Distance between floor and lower edge of gate is 10 mm



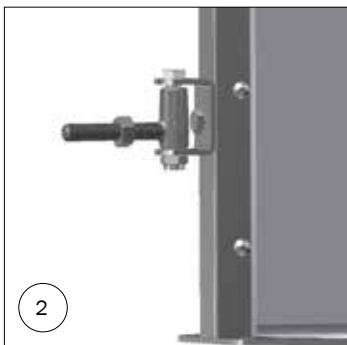
1 2
Drop latch is mounted in the lower hole.



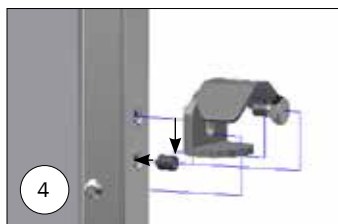
3
Distance between floor and lower edge of gate is 30 mm



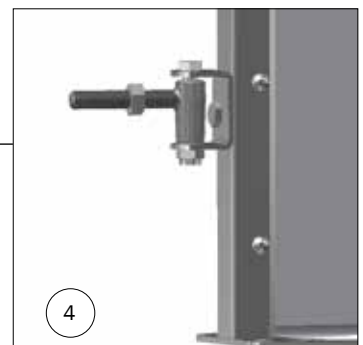
3
For adjustment of drop latch:
Bolt loosened, adjust and tightened.



2
Distance between floor and lower edge of gate is 20 mm

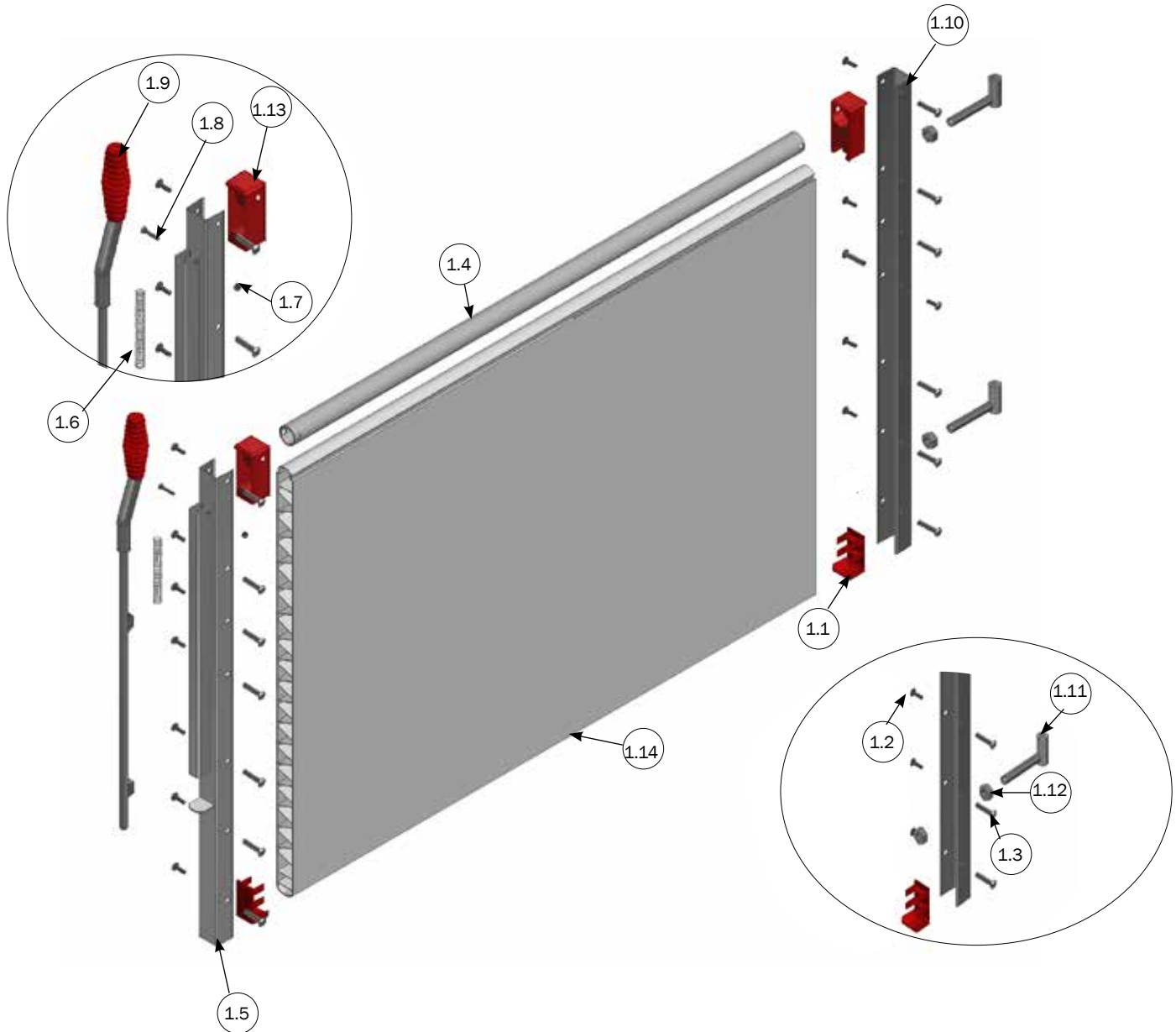


4
Drop latch is moved to top hole.



4
Distance between floor and lower edge of gate is 40 mm

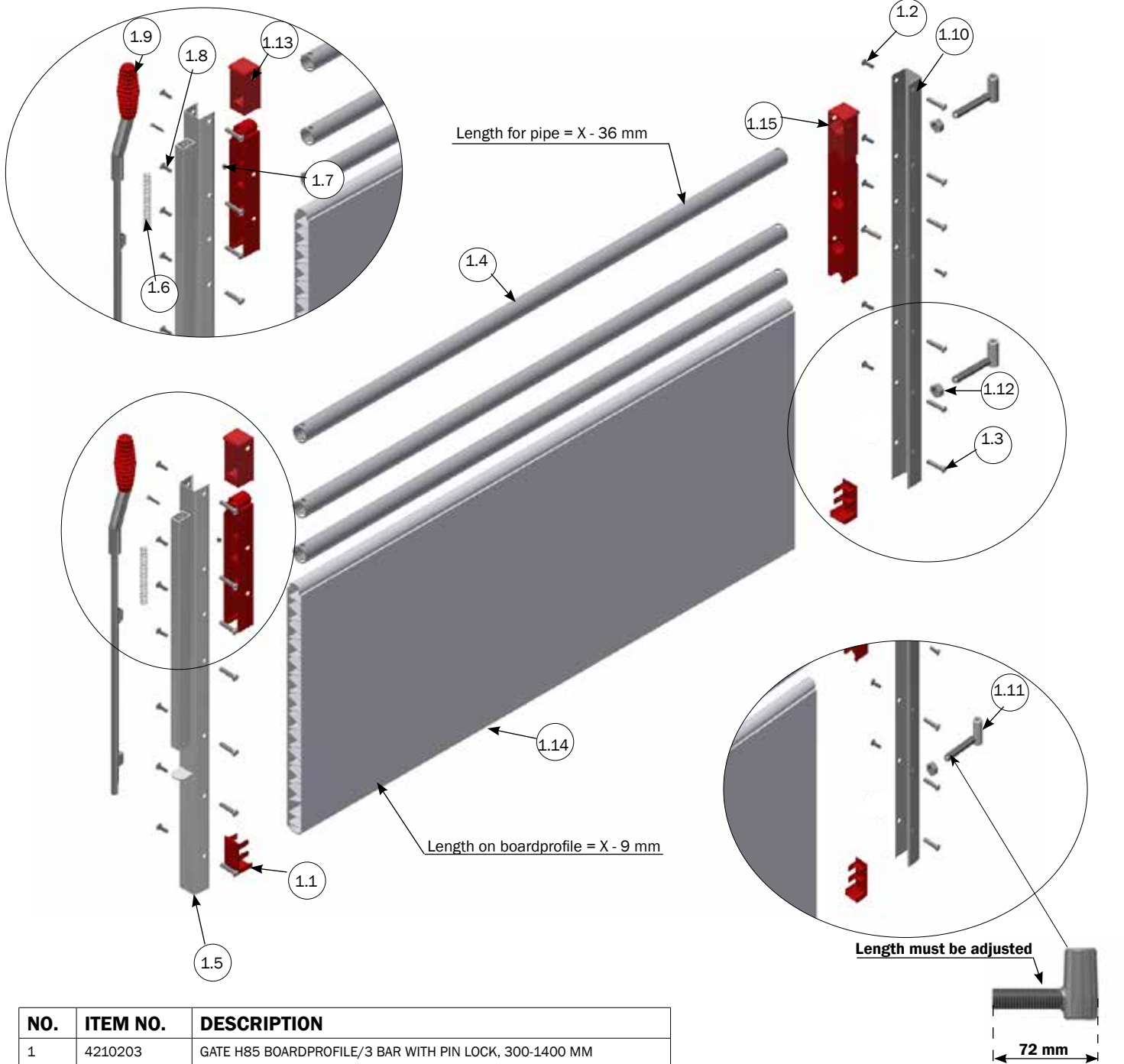
GATE FOR CLEAN-O-FLEX 850 H85 BOARDPROFILE/1 BAR WITH PIN LOCK, 300-1400 MM



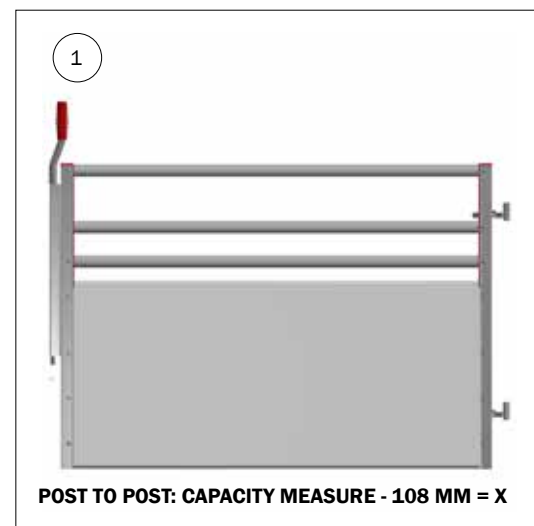
NO.	ITEM NO.	DESCRIPTION
1	4210223	GATE H85 BOARDPROFILE/1 BAR WITH PIN LOCK, 300-1400 MM
1.1	30013	PLUG PANEL BOTTOM 50 CM/75 CM PANEL
1.2	39106020	CONNECTION SCREW M6X20 STAINLESS TORX 30
1.3	39206037	SPLICING SLEEVE M6X37 STAINLESS TORX 30
1.4	112406	33.7 X 2.60 PIPE GALV. PRICE PER METER, LENGTH 6 METER
1.5	4250021	UPROFILE H85 WITH NUTS FOR GATE
1.6	9929004	COMPRESSION SPRING 1,6X12X115 MM
1.7	33905000	LOCK NUT M5 A2 DIN 985
1.8	30305025	SET SCREW M5X25 A2 DIN 933
1.9	4105183	PIN LOCK FOR GATE INCL. GRIP
1.10	4250022	UPROFILE H85 WITH NUTS FOR GATE
1.11	4550427	INN-O-FLEX STUD BOLT COMPLET
1.12	68598	NUT 14 MM SS
1.13	8530058	TOP PLUG 1 BARS 35 MM
1.14	30105	BOARDPROFILE 35X750 MM SPEC. LENGTH PRICE PER METER



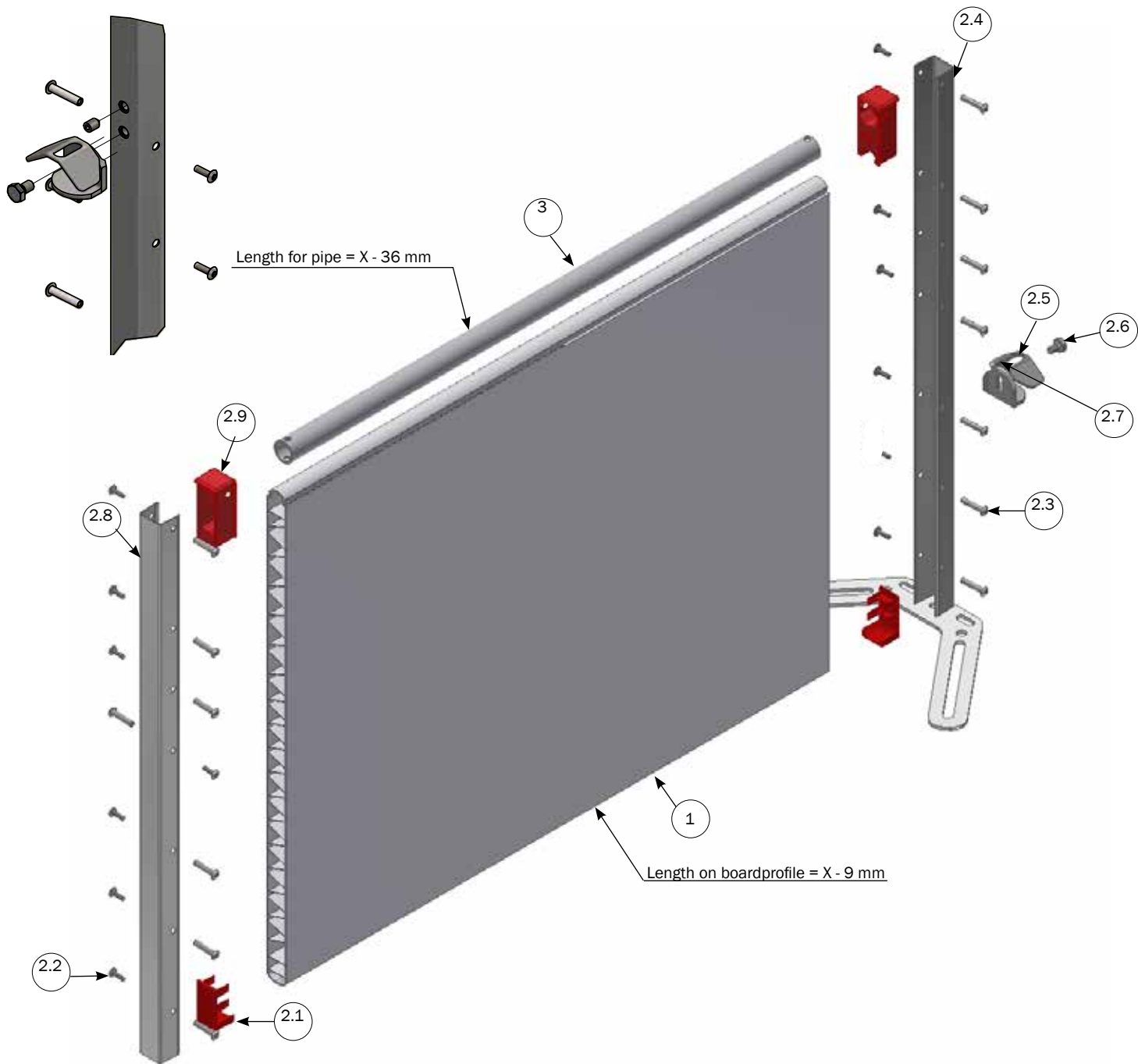
UNASSEMBLED GATE H85 BOARDPROFILE/3 BAR WITH PIN LOCK, 300-1400 MM



NO.	ITEM NO.	DESCRIPTION
1	4210203	GATE H85 BOARDPROFILE/3 BAR WITH PIN LOCK, 300-1400 MM
1.1	30013	PLUG PANEL BOTTOM 50 CM/75 CM PANEL
1.2	39106020	CONNECTION SCREW M6X20 STAINLESS TORX 30
1.3	39206037	SPLICING SLEEVE M6X37 STAINLESS TORX 30
1.4	112406	33.7 X 2.60 PIPE GALV. PRICE PER METER, LENGTH 6 METER
1.5	4250021	UPROFILE H85 WITH NUTS FOR GATE
1.6	9929004	COMPRESSION SPRING 1,6X12X115 MM
1.7	33905000	LOCK NUT M5 A2 DIN 985
1.8	30305025	SET SCREW M5X25 A2 DIN 933
1.9	4105183	PIN LOCK FOR GATE INCL. GRIP
1.10	4250022	UPROFILE H85 WITH NUTS FOR GATE
1.11	4550427	INN-O-FLEX STUD BOLT COMPLET
1.12	68598	NUT 14 MM SS
1.13	8530058	TOP PLUG 1 BARS 35 MM
1.14	30105	BOARDPROFILE 35X750 MM SPEC. LENGTH PRICE PER METER
1.15	8530016	PLUG 2 BARS 35 MM

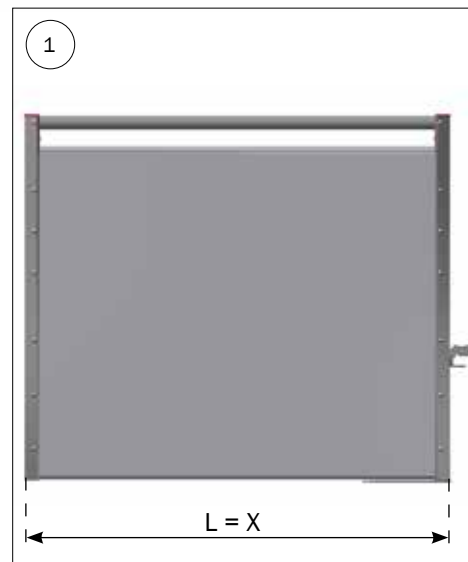


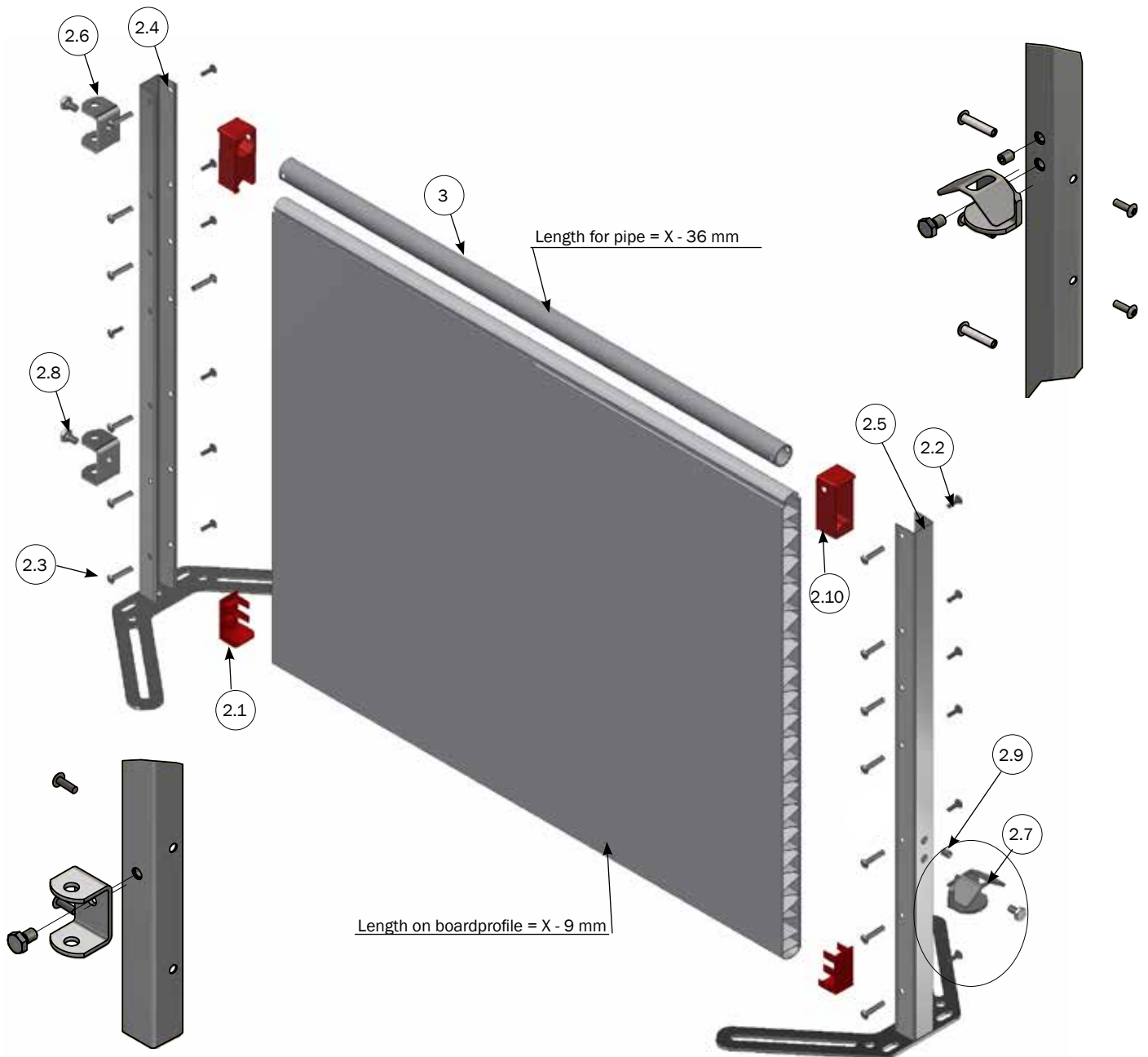
UNASSEMBLED FRONT PART FOR CLEAN-O-FLEX 850 H85 BOARDPROFILE/1 BAR U-PROFILE DROP LATCH FOR PIN LOCK



PART LIST

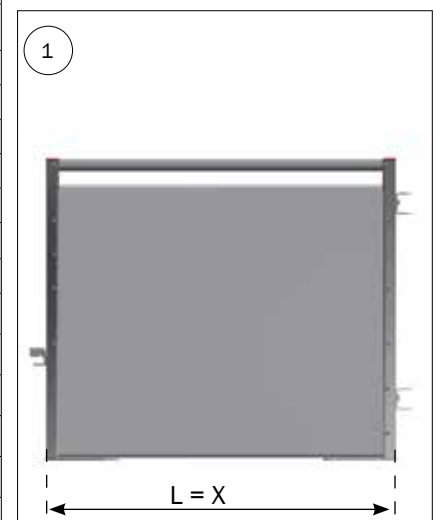
NO.	ITEM NO.	PCS.	DESCRIPTION
1	30105	LBM	BOARDPROFILE 35X750 MM SPEC. LENGTH PRICE PER METER
2	4210240U	1	KIT FOR FRONTPART H85 BOARDPROFILE/1 BAR UPROFILE/DROP LATCH POST FOR PIN LOCK
2.1	30013	2	PLUG PANEL BOTTOM 50 CM/75 CMBOARDPROFILE
2.2	39106020	14	CONNECTION SCREW M6X20 STAINLESS TORX 30
2.3	39206037	14	SPLICING SLEEVE M6X37 STAINLESS TORX 30
2.4	4250009	1	POST H85 WITH NUTS FOR DROP LATCH
2.5	1915043	1	DROP LATCH 40 MM FOR POST, GALVANIZED
2.6	30310016	1	SET SCREW M10X16 A2 DIN 933
2.7	38310016	1	POINTED SCREW M10X16 W/POINT A2 DIN 914
2.8	8450627	1	U-PROFILE H85 FOR PIN LOCK
2.9	8530058	2	TOP PLUG 1 BARS 35 MM
3	112406	LBM	33.7 X 2.60 PIPE GALV. PRICE PER METER, LENGTH 6 METER

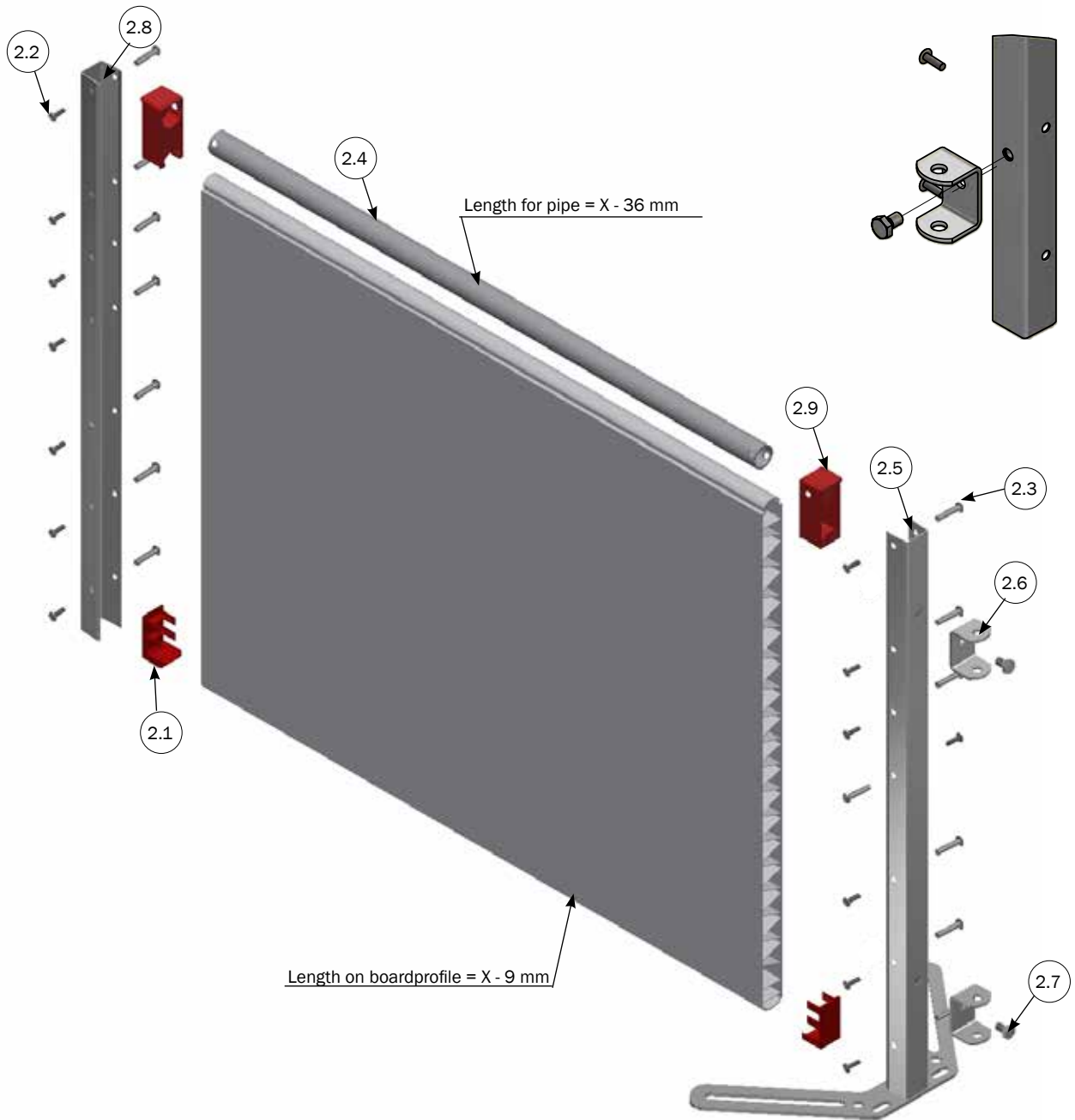




PART LIST

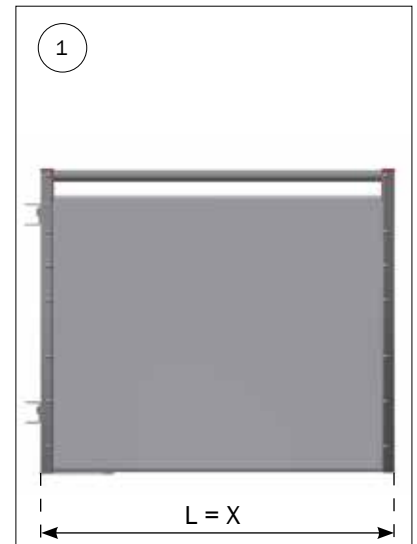
NO.	ITEM NO.	PCS.	DESCRIPTION
1	30105	LBM	BOARDPROFILE 35X750 MM SPEC. LENGTH PRICE PER METER
2	4210241U	1	KIT FOR FRONTPART H85 BOARDPROFILE/1 BAR HINGER POST/DROP LATCH POST FOR PIN LOCK
2.1	30013	2	PLUG PANEL BOTTOM 50 CM/75 CMBOARDPROFILE
2.2	39106020	14	CONNECTION SCREW M6X20 STAINLESS TORX 30
2.3	39206037	14	SPLICING SLEEVE M6X37 STAINLESS TORX 30
2.4	4250010	1	POST H85 WITH NUT FOR HINGER
2.5	4250009	1	POST H85 WITH NUTS FOR DROP LATCH
2.6	8450598	2	HINGER BRACKET STAINLESS STEEL
2.7	1915043	1	DROP LATCH 40 MM FOR POST, GALVANIZED
2.8	30310016	3	SET SCREW M10X16 A2 DIN 933
2.9	38310016	1	POINTED SCREW M10X16 W/POINT A2 DIN 914
2.10	8530058	2	TOP PLUG 1 BARS 35 MM
3	112406	LBM	33.7 X 2.60 PIPE GALV. PRICE PER METER, LENGTH 6 METER

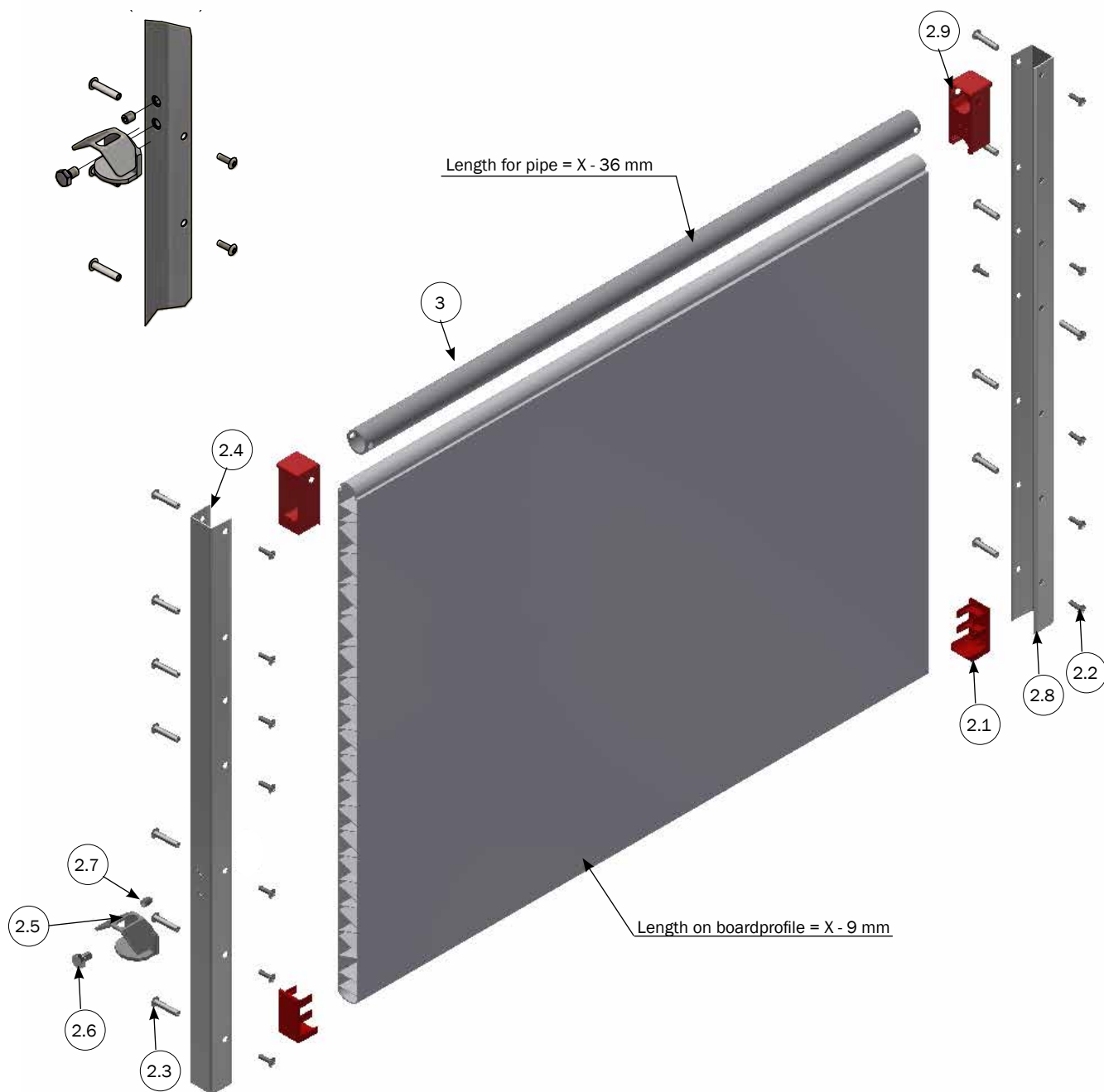




PART LIST

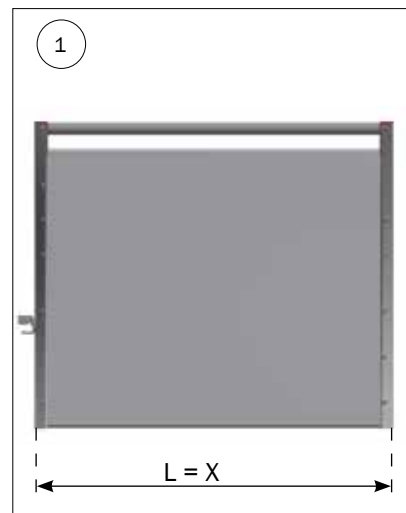
NO.	ITEM NO.	PCS.	DESCRIPTION
1	30105	LBM	BOARDPROFILE 35X750 MM SPEC. LENGTH PRICE PER METER
2	4210242U	1	KIT FOR FRONTPART H85 BOARDPROFILE/1 BAR HINGER POST/UPROFILE FOR PIN LOCK
2.1	30013	2	PLUG PANEL BOTTOM 50 CM/75 CM BOARDPROFILE
2.2	39106020	14	CONNECTION SCREW M6X20 STAINLESS TORX 30
2.3	39206037	14	SPLICING SLEEVE M6X37 STAINLESS TORX 30
2.4	4250010	1	POST H85 WITH NUT FOR HINGER
2.5	8450598	2	HINGER BRACKET STAINLESS STEEL
2.6	30310016	2	SET SCREW M10X16 A2 DIN 933
2.7	8450627	1	U-PROFILE H85 FOR PIN LOCK
2.8	8530058	2	TOP PLUG 1 BARS 35 MM
3	112406	LBM	33.7 X 2.60 PIPE GALV. PRICE PER METER, LENGTH 6 METER

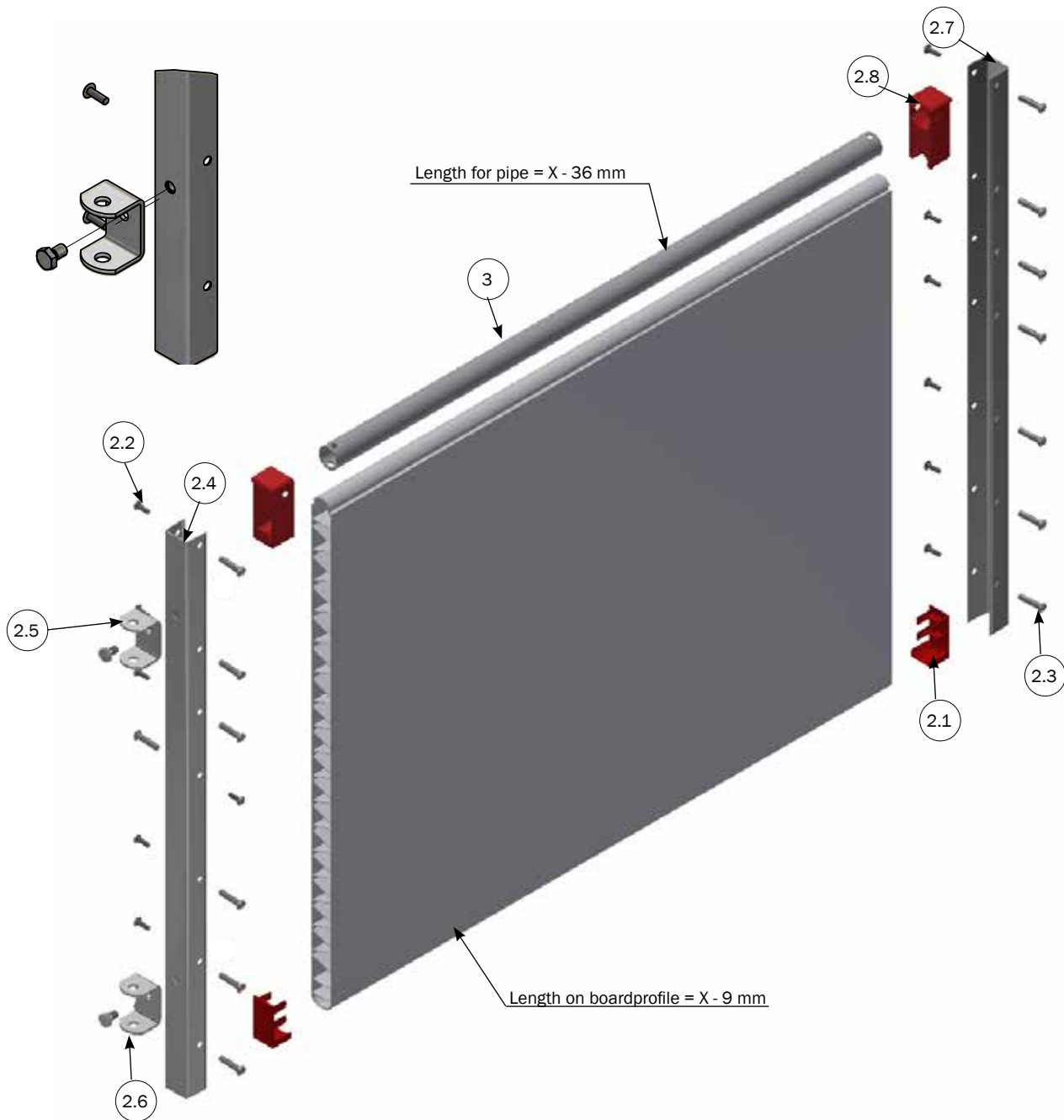




PART LIST

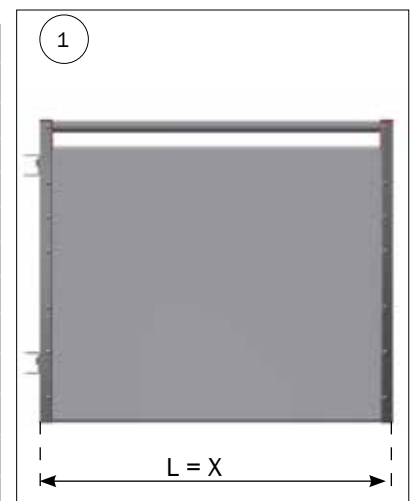
NO.	ITEM NO.	PCS.	DESCRIPTION
1	30105	LBM	BOARDPROFILE 35X750 MM SPEC. LENGTH PRICE PER METER
2	4210243U	1	FRONTPART H85 BOARDPROFILE/1 BAR UPROFILE/DROP LATCH UPROFILE FOR PIN LOCK
2.1	30013	2	PLUG PANEL BOTTOM 50 CM/75 CMBOARDPROFILE
2.2	39106020	14	CONNECTION SCREW M6X20 STAINLESS TORX 30
2.3	39206037	14	SPLICING SLEEVE M6X37 STAINLESS TORX 30
2.4	4250018	1	UPROFILE H85 WITH NUTS FOR DROP LATCH
2.5	1915043	1	DROP LATCH 40 MM FOR POST, GALVANIZED
2.6	30310016	1	SET SCREW M10X16 A2 DIN 933
2.7	38310016	1	POINTED SCREW M10X16 W/POINT A2 DIN 914
2.8	8450627	1	U-PROFILE H85 FOR PIN LOCK
2.9	8530058	2	TOP PLUG 1 BARS 35 MM
3	30105	LBM	BOARDPROFILE 35X750 MM SPEC. LENGTH PRICE PER METER

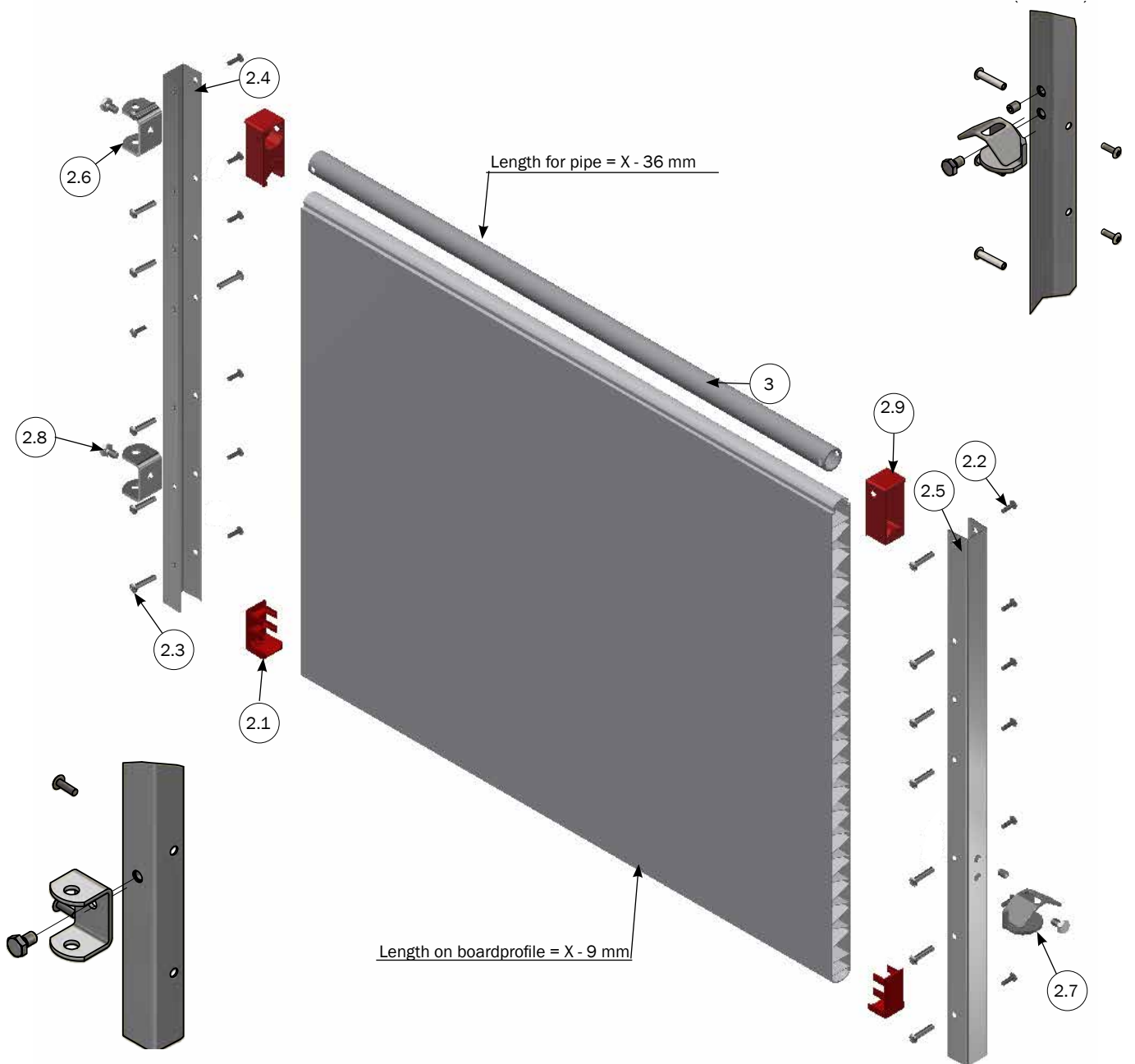




PART LIST

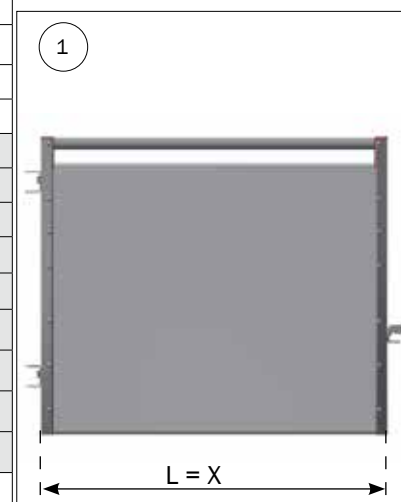
NO.	ITEM NO.	PCS.	DESCRIPTION
1	30105	LBM	BOARDPROFILE 35X750 MM SPEC. LENGTH PRICE PER METER
2	4210244U	1	KIT FOR FRONTPART H85 BOARDPROFILE/1 BAR HINGER UPROFILE/UPROFILE FOR PIN LOCK
2.1	30013	2	PLUG PANEL BOTTOM 50 CM/75 CM BOARDPROFILE
2.2	39106020	14	CONNECTION SCREW M6X20 STAINLESS TORX 30
2.3	39206037	14	SPLICING SLEEVE M6X37 STAINLESS TORX 30
2.4	4250017	1	UPROFILE H85 WITH NUT FOR HINGER
2.5	8450598	2	HINGER BRACKET STAINLESS STEEL
2.6	30310016	2	SET SCREW M10X16 A2 DIN 933
2.7	8450627	1	U-PROFILE H85 FOR PIN LOCK
2.8	8530058	2	TOP PLUG 1 BARS 35 MM
3	30105	LBM	BOARDPROFILE 35X750 MM SPEC. LENGTH PRICE PER METER

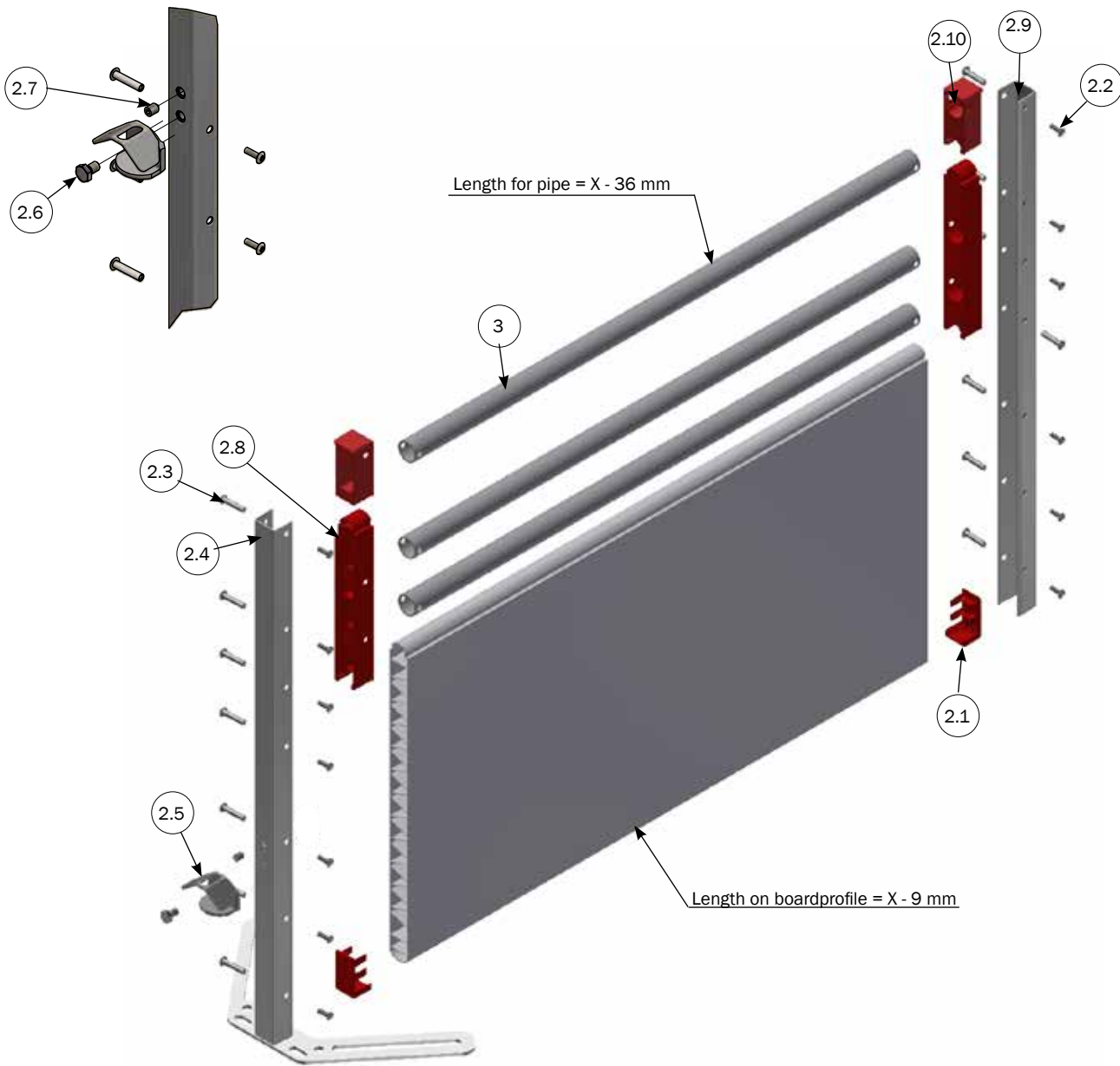




PART LIST

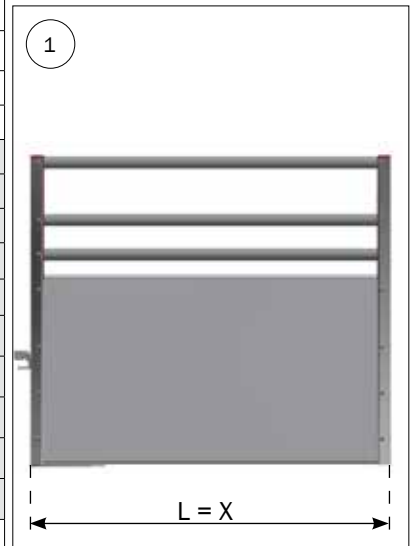
NO.	ITEM NO.	PCS.	DESCRIPTION
1	30105	LBM	BOARDPROFILE 35X750 MM SPEC. LENGTH PRICE PER METER
2	4210245U	1	KIT FOR FRONTPART H85 BOARDPROFILE/1 BARS HINGER UPROFILE/DROP LATCH UPROFILE FOR PIN LOCK
2.1	30013	2	PLUG PANEL BOTTOM 50 CM/75 CM BOARDPROFILE
2.2	39106020	14	CONNECTION SCREW M6X20 STAINLESS TORX 30
2.3	39206037	14	SPLICING SLEEVE M6X37 STAINLESS TORX 30
2.4	4250017	1	UPROFILE H85 WITH NUT FOR HINGER
2.5	4250018	1	UPROFILE H85 WITH NUTS FOR DROP LATCH
2.6	8450598	2	HINGER BRACKET STAINLESS STEEL
2.7	1915043	1	DROP LATCH 40 MM FOR POST, GALVANIZED
2.8	30310016	3	SET SCREW M10X16 A2 DIN 933
2.9	8530058	2	TOP PLUG 1 BARS 35 MM
3	30105	LBM	BOARDPROFILE 35X750 MM SPEC. LENGTH PRICE PER METER



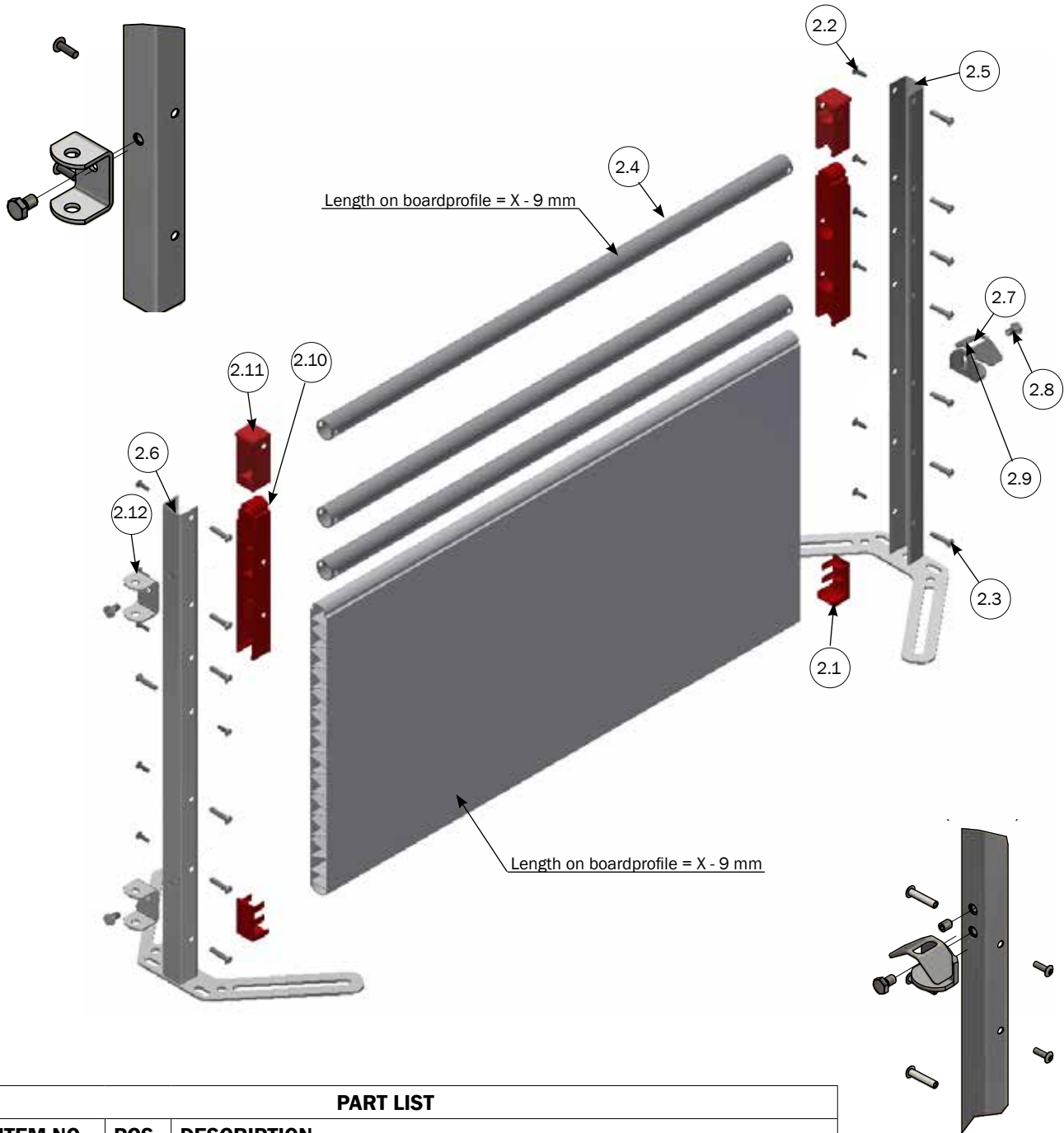


PART LIST

NO.	ITEM NO.	PCS.	DESCRIPTION
1	30102	LBM	BOARDPROFILE 35X250 MM LENGTH6 METER
2	4210230U	1	KIT FOR FRONTPART H85 BOARDPROFILE/3 BARS UPROFILE/DROP LATCH POST FOR PIN LOCK
2.1	30013	2	PLUG PANEL BOTTOM 50 CM/75 CMBOARDPROFILE
2.2	39106020	14	CONNECTION SCREW M6X20 STAINLESS TORX 30
2.3	39206037	14	SPLICING SLEEVE M6X37 STAINLESS TORX 30
2.4	4250009	1	POST H85 WITH NUTS FOR DROP LATCH
2.5	1915043	1	DROP LATCH 40 MM FOR POST, GALVANIZED
2.6	30310016	1	SET SCREW M10X16 A2 DIN 933
2.7	38310016	1	POINTED SCREW M10X16 W/POINT A2 DIN 914
2.8	8530016	2	PLUG 2 BARS 35 MM
2.9	8450627	1	U-PROFILE H85 FOR PIN LOCK
2.10	8530058	2	TOP PLUG 1 BARS 35 MM
3	30105	LBM	BOARDPROFILE 35X750 MM SPEC. LENGTH PRICE PER METER



UNASSEMBLED FRONT PART H85 BOARDPROFILE/3 BARS HINGER POST/DROP LATCH POST FOR PIN LOCK

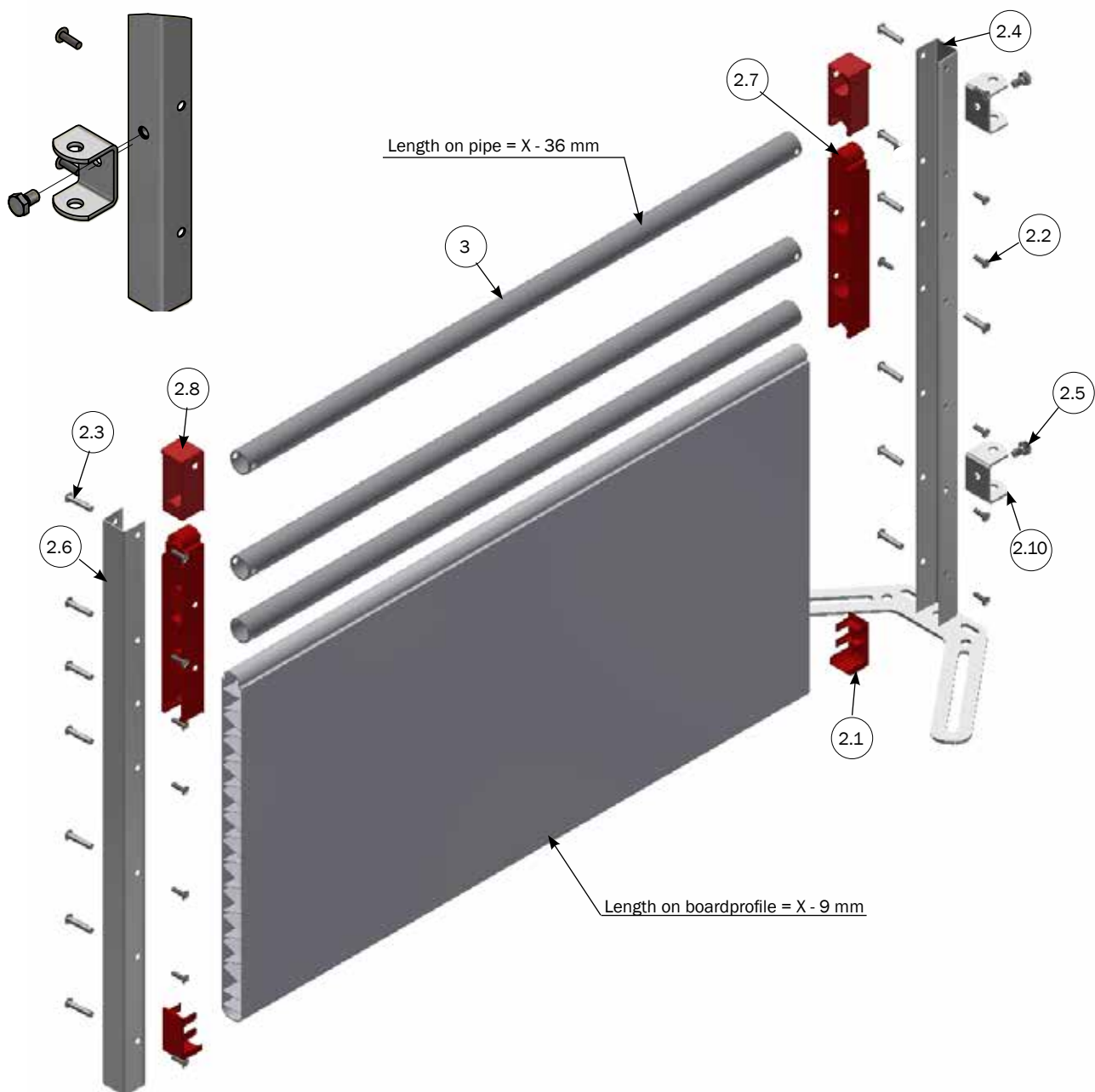


PART LIST

NO.	ITEM NO.	PCS.	DESCRIPTION
1	30102	LBM	BOARDPROFILE 35X250 MM LENGTH6 METER
2	4210231U	1	KIT FOR FRONTPART H85 BOARDPROFILE/3 BARS HINGER POST/DROP LATCH POST FOR PIN LOCK
2.1	30013	2	PLUG PANEL BOTTOM 50 CM/75 CMBOARDPROFILE
2.2	39106020	14	CONNECTION SCREW M6X20 STAINLESS TORX 30
2.3	39206037	14	SPLICING SLEEVE M6X37 STAINLESS TORX 30
2.4	4250009	1	POST H85 WITH NUTS FOR DROP LATCH
2.5	4250010	1	POST H85 WITH NUT FOR HINGER
2.6	1915043	1	DROP LATCH 40 MM FOR POST, GALVANIZED
2.7	30310016	3	SET SCREW M10X16 A2 DIN 933
2.8	38310016	1	POINTED SCREW M10X16 W/POINT A2 DIN 914
2.9	8530016	2	PLUG 2 BARS 35 MM
2.10	8530058	2	TOP PLUG 1 BARS 35 MM
2.11	8450598	2	HINGER BRACKET STAINLESS STEEL
3	30105	LBM	BOARDPROFILE 35X750 MM SPEC. LENGTH PRICE PER METER



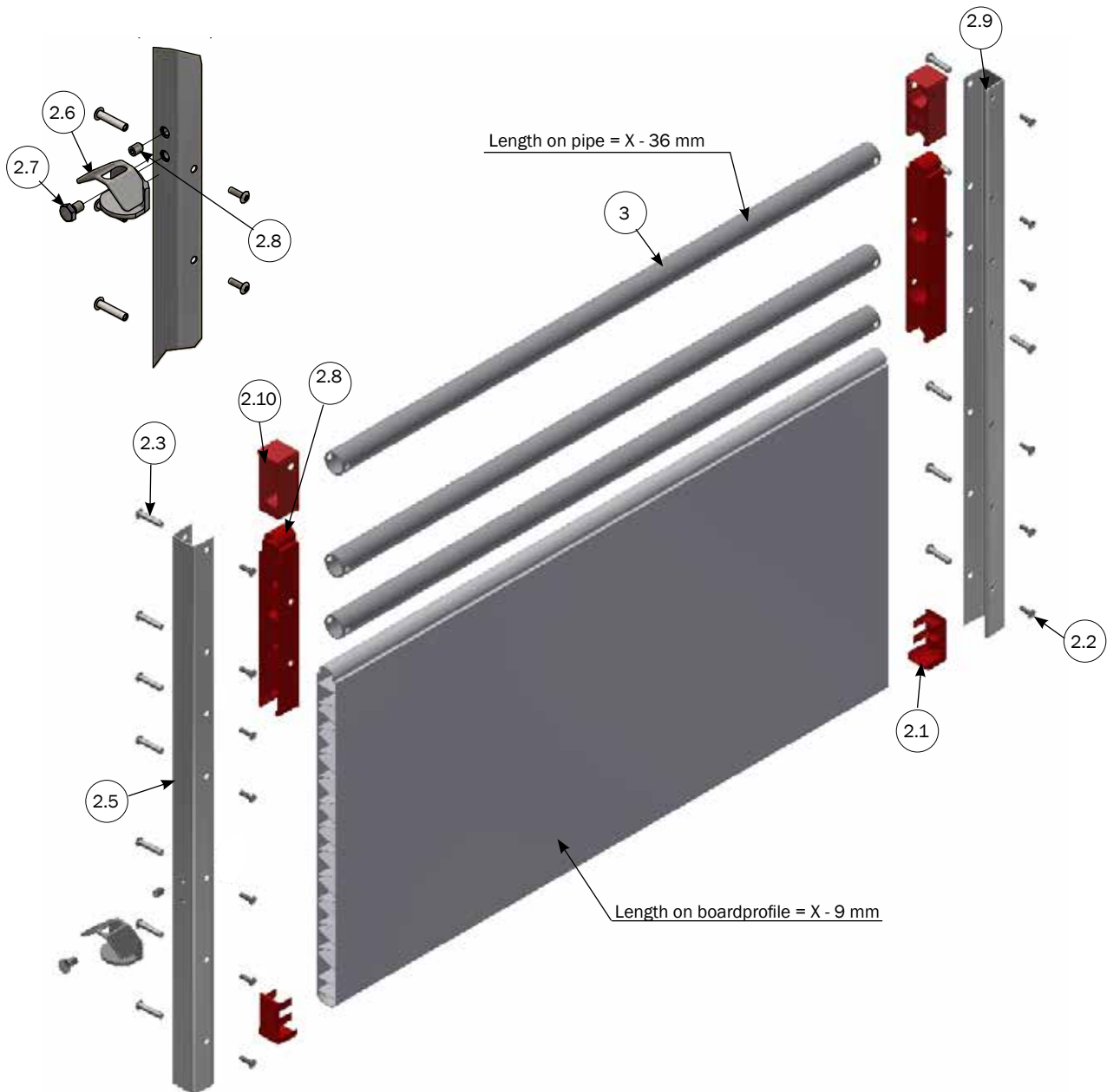
UNASSEMBLED FRONT PART FOR CLEAN-O-FLEX 850 H85 BOARDPROFILE/3 BARS HINGER POST/UPROFIE FOR PIN LOCK



PART LIST

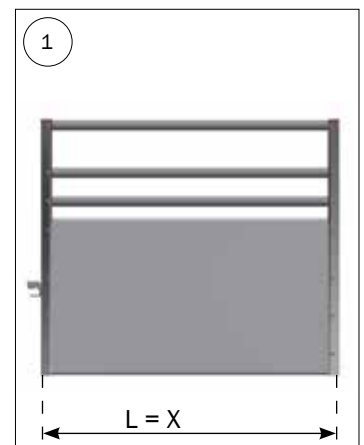
NO.	ITEM NO.	PCS.	DESCRIPTION
1	30102	LBM	BOARDPROFILE 35X250 MM LENGTH6 METER
2	4210232U	1	KIT FOR FRONTPART H85 BOARDPROFILE/3 BARS HINGER POST/UPROFIE FOR PIN LOCK
2.1	30013	2	PLUG PANEL BOTTOM 50 CM/75 CMBOARDPROFILE
2.2	39106020	14	CONNECTION SCREW M6X20 STAINLESS TORX 30
2.3	39206037	14	SPLICING SLEEVE M6X37 STAINLESS TORX 30
2.4	4250010	1	POST H85 WITH NUT FOR HINGER
2.5	30310016	2	SET SCREW M10X16 A2 DIN 933
2.6	8450627	1	U-PROFILE H85 FOR PIN LOCK
2.7	8530016	2	PLUG 2 BARS 35 MM
2.8	8530058	2	TOP PLUG 1 BARS 35 MM
2.9	8450598	2	HINGER BRACKET STAINLESS STEEL
3	30105	LBM	BOARDPROFILE 35X750 MM SPEC. LENGTH PRICE PER METER

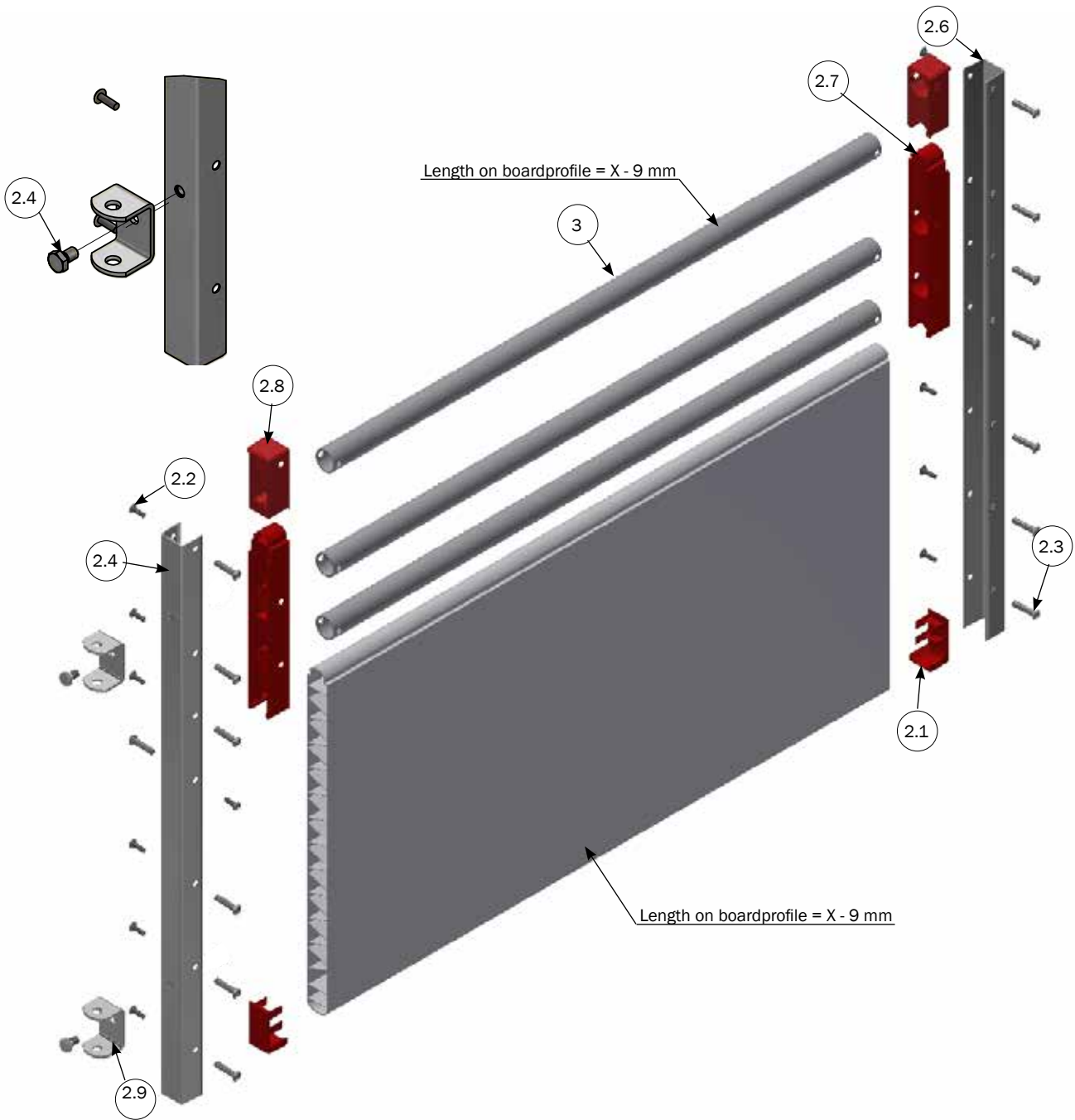




PART LIST

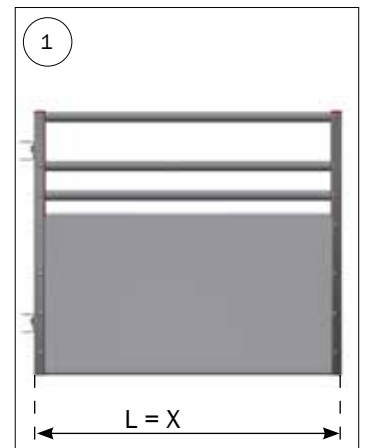
NO.	ITEM NO.	PCS.	DESCRIPTION
1	30102	LBM	BOARDPROFILE 35X250 MM LENGTH6 METER
2	4210233U	1	KIT FOR FRONTPART H85 BOARDPROFILE/DROP LATCH UPROFILE FOR PIN LOCK
2.1	30013	2	PLUG PANEL BOTTOM 50 CM/75 CMBOARDPROFILE
2.2	39106020	14	CONNECTION SCREW M6X20 STAINLESS TORX 30
2.3	39206037	14	SPLICING SLEEVE M6X37 STAINLESS TORX 30
2.4	4250018	1	UPROFILE H85 WITH NUTS FOR DROP LATCH
2.5	1915043	1	DROP LATCH 40 MM FOR POST, GALVANIZED
2.6	30310016	1	SET SCREW M10X16 A2 DIN 933
2.7	38310016	1	POINTED SCREW M10X16 W/POINT A2 DIN 914
2.8	8530016	2	PLUG 2 BARS 35 MM
2.9	8450627	1	U-PROFILE H85 FOR PIN LOCK
2.10	8530058	2	TOP PLUG 1 BARS 35 MM
3	30105	LBM	BOARDPROFILE 35X750 MM SPEC. LENGTH PRICE PER METER

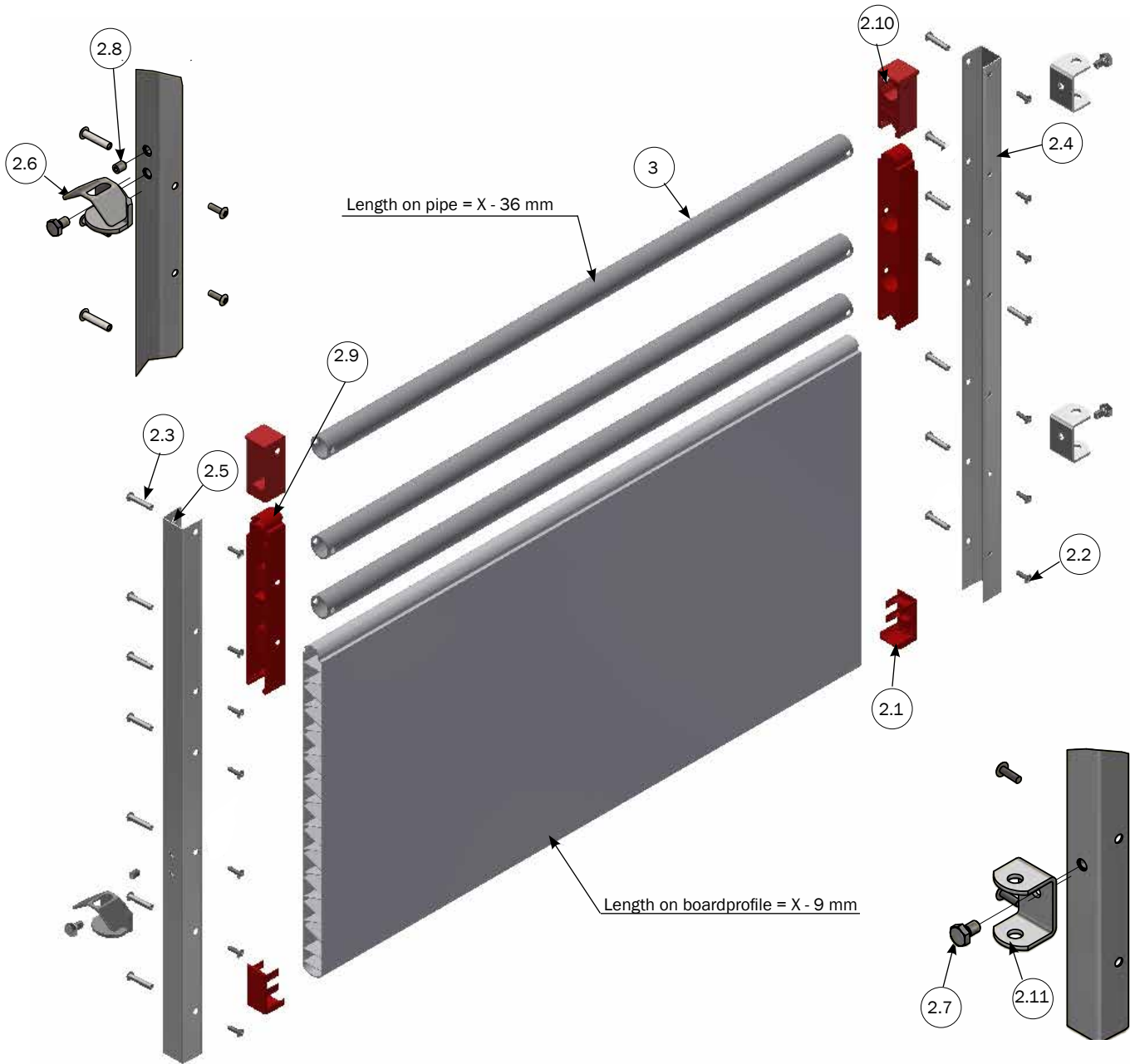




PART LIST

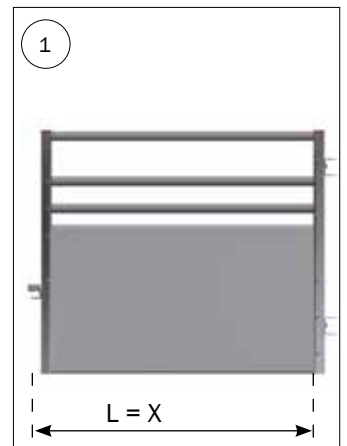
NO.	ITEM NO.	PCS.	DESCRIPTION
1	30102	LBM	BOARDPROFILE 35X250 MM LENGTH6 METER
2	4210234U	1	KIT FOR FRONTPART H85 BOARDPROFILE/3 BARS HINGER UPROFILE/UPROFILE FOR PIN LOCK
2.1	30013	2	PLUG PANEL BOTTOM 50 CM/75 CMBOARDPROFILE
2.2	39106020	14	CONNECTION SCREW M6X20 STAINLESS TORX 30
2.3	39206037	14	SPLICING SLEEVE M6X37 STAINLESS TORX 30
2.4	4250017	1	UPROFILE H85 WITH NUT FOR HINGER
2.5	30310016	2	SET SCREW M10X16 A2 DIN 933
2.6	8450627	1	U-PROFILE H85 FOR PIN LOCK
2.7	8530016	2	PLUG 2 BARS 35 MM
2.8	8530058	2	TOP PLUG 1 BARS 35 MM
2.9	8450598	2	HINGER BRACKET STAINLESS STEEL
3	30105	LBM	BOARDPROFILE 35X750 MM SPEC. LENGTH PRICE PER METER



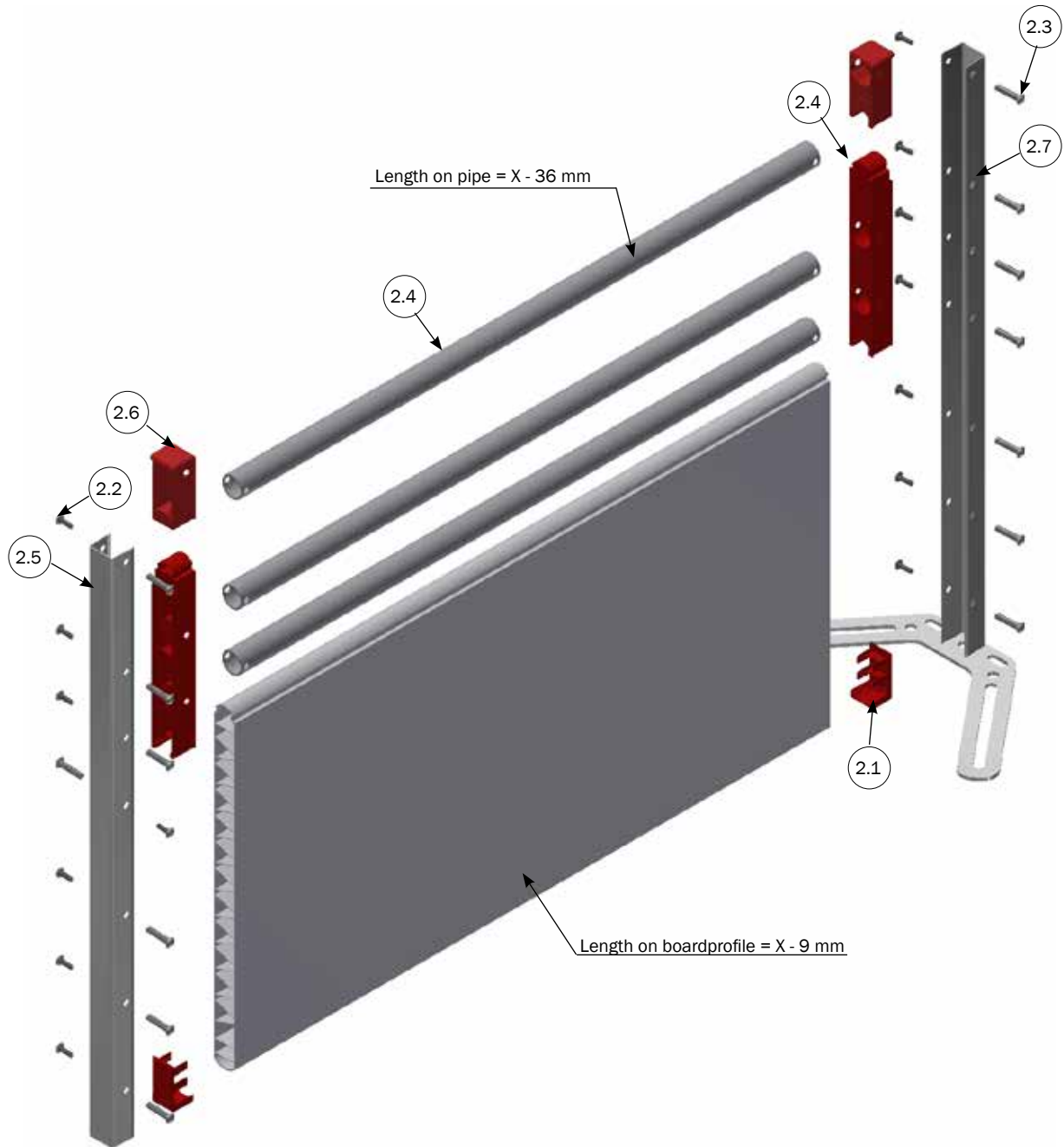


PART LIST

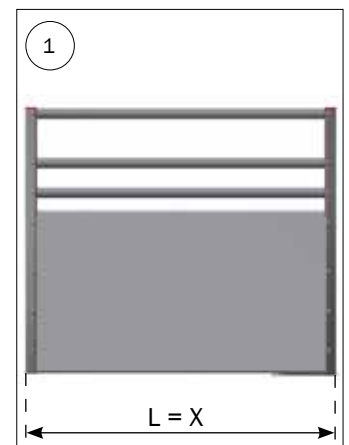
NO.	ITEM NO.	PCS.	DESCRIPTION
1	30102	LBM	BOARDPROFILE 35X250 MM LENGTH6 METER
2	4210235U	1	KIT FOR FRONTPART H85 BOARDPROFILE/3 BARS HINGER UPROFILE/DROP LATCH UPROFILE FOR PIN LOCK
2.1	30013	2	PLUG PANEL BOTTOM 50 CM/75 CMBOARDPROFILE
2.2	39106020	14	CONNECTION SCREW M6X20 STAINLESS TORX 30
2.3	39206037	14	SPLICING SLEEVE M6X37 STAINLESS TORX 30
2.4	4250017	1	UPROFILE H85 WITH NUT FOR HINGER
2.5	4250018	1	UPROFILE H85 WITH NUTS FOR DROP LATCH
2.6	1915043	1	DROP LATCH 40 MM FOR POST, GALVANIZED
2.7	30310016	3	SET SCREW M10X16 A2 DIN 933
2.8	38310016	1	POINTED SCREW M10X16 W/POINT A2 DIN 914
2.9	8530016	2	PLUG 2 BARS 35 MM
2.10	8530058	2	TOP PLUG 1 BARS 35 MM
2.11	8450598	2	HINGER BRACKET STAINLESS STEEL
3	30105	LBM	BOARDPROFILE 35X750 MM SPEC. LENGTH PRICE PER METER



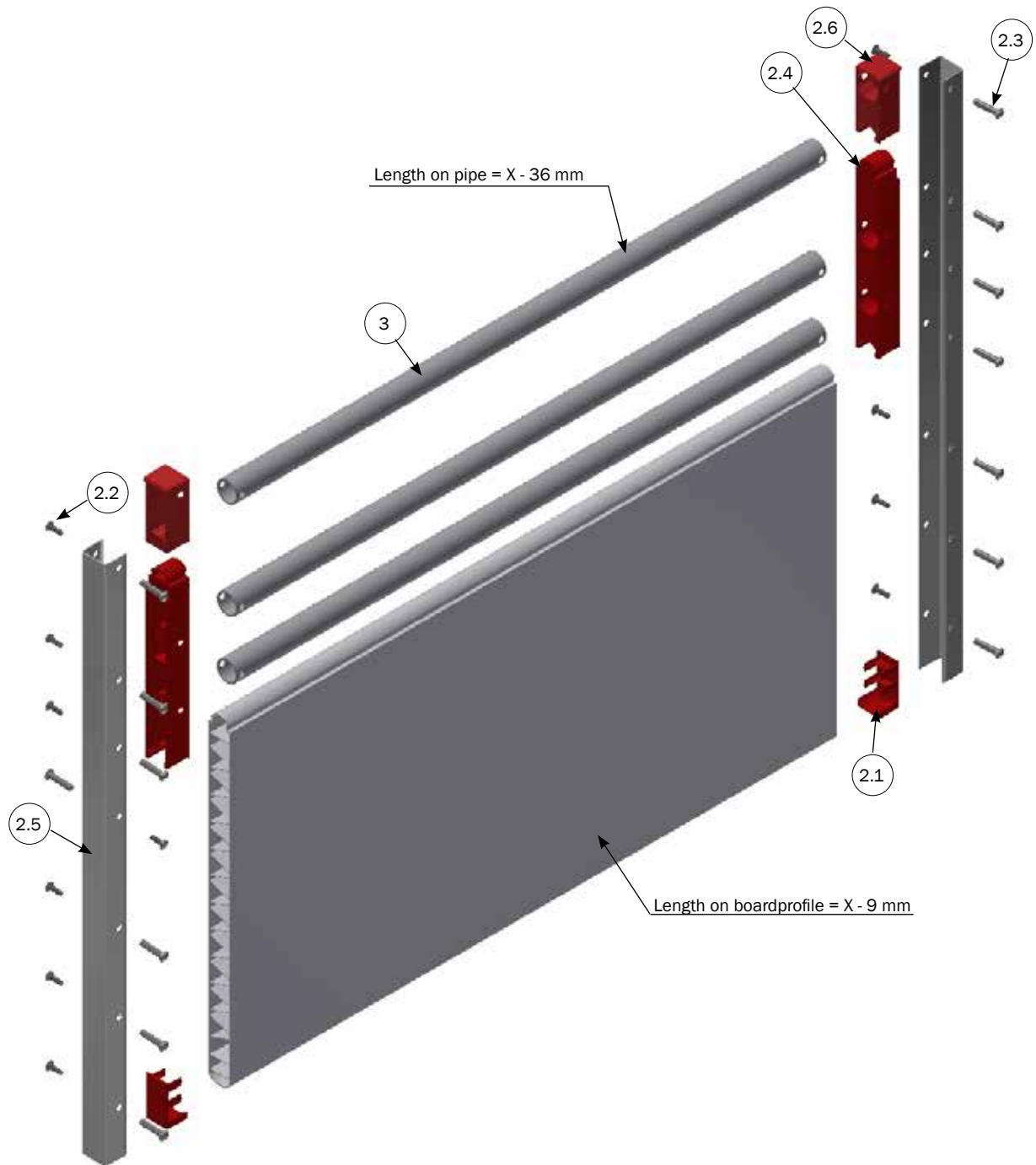
UNASSEMBLED SIDE FOR CLEAN-O-FLEX 850 H85 BOARDPROFILE/3 BARS POST/UPROFILE



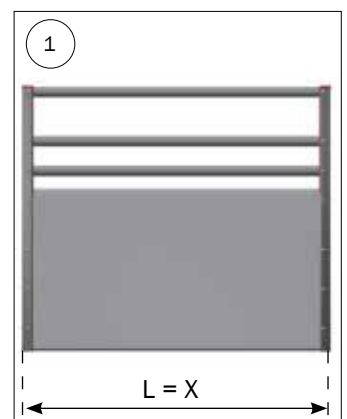
PART LIST			
NO.	ITEM NO.	PCS.	DESCRIPTION
1	30102	LBM	BOARDPROFILE 35X250 MM LENGTH6 METER
2	4210539U	1	KIT FOR SIDE H85 BOARDPROFILE/3 BARS POST/UPROFILE
2.1	30013	2	PLUG PANEL BOTTOM 50 CM/75 CMBOARDPROFILE
2.2	39106020	14	CONNECTION SCREW M6X20 STAINLESS TORX 30
2.3	39206037	14	SPLICING SLEEVE M6X37 STAINLESS TORX 30
2.4	8530016	1	PLUG 2 BARS 35 MM
2.5	8450627	1	U-PROFIL H85 TIL PLØK
2.6	8530058	2	TOP PLUG 1 BARS 35 MM
2.7	4250023	3	POST FOR CLEAN-O-FLEX H85
3	30105	LBM	BOARDPROFILE 35X750 MM SPEC. LENGTH PRICE PER METER



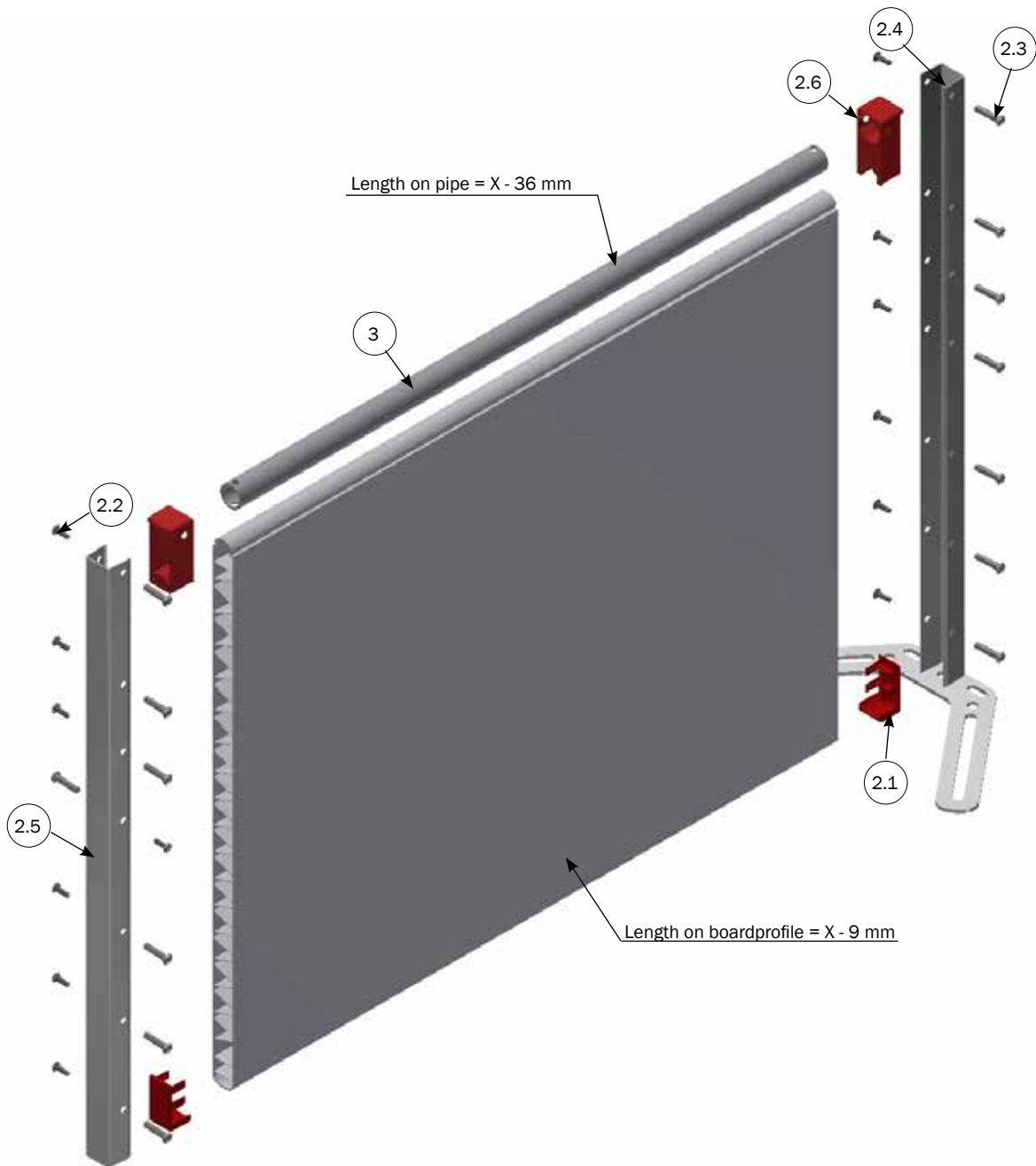
UNASSEMBLED SIDE FOR CLEAN-O-FLEX 850 H85 BOARDPROFILE/3 BARS UPROFILE/UPROFILE



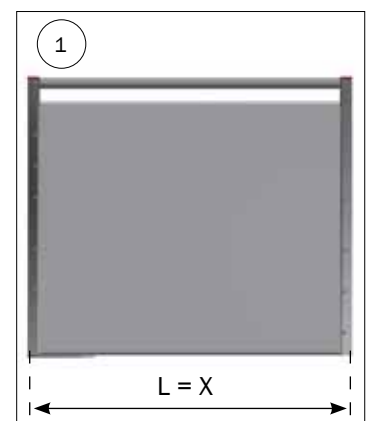
PART LIST			
NO.	ITEM NO.	PCS.	DESCRIPTION
1	30102	LBM	BOARDPROFILE 35X250 MM LENGTH6 METER
2	4210540U	1	KIT FOR SIDE H85 BOARDPROFILE/3 BARS UPROFILE/UPROFILE
2.1	30013	2	PLUG PANEL BOTTOM 50 CM/75 CMBOARDPROFILE
2.2	39106020	14	CONNECTION SCREW M6X20 STAINLESS TORX 30
2.3	39206037	14	SPLICING SLEEVE M6X37 STAINLESS TORX 30
2.4	8530016	2	PLUG 2 BARS 35 MM
2.5	8450627	2	U-PROFIL H85 TIL PLØK
2.6	8530058	2	TOP PLUG 1 BARS 35 MM
3	30105	LBM	BOARDPROFILE 35X750 MM SPEC. LENGTH PRICE PER METER



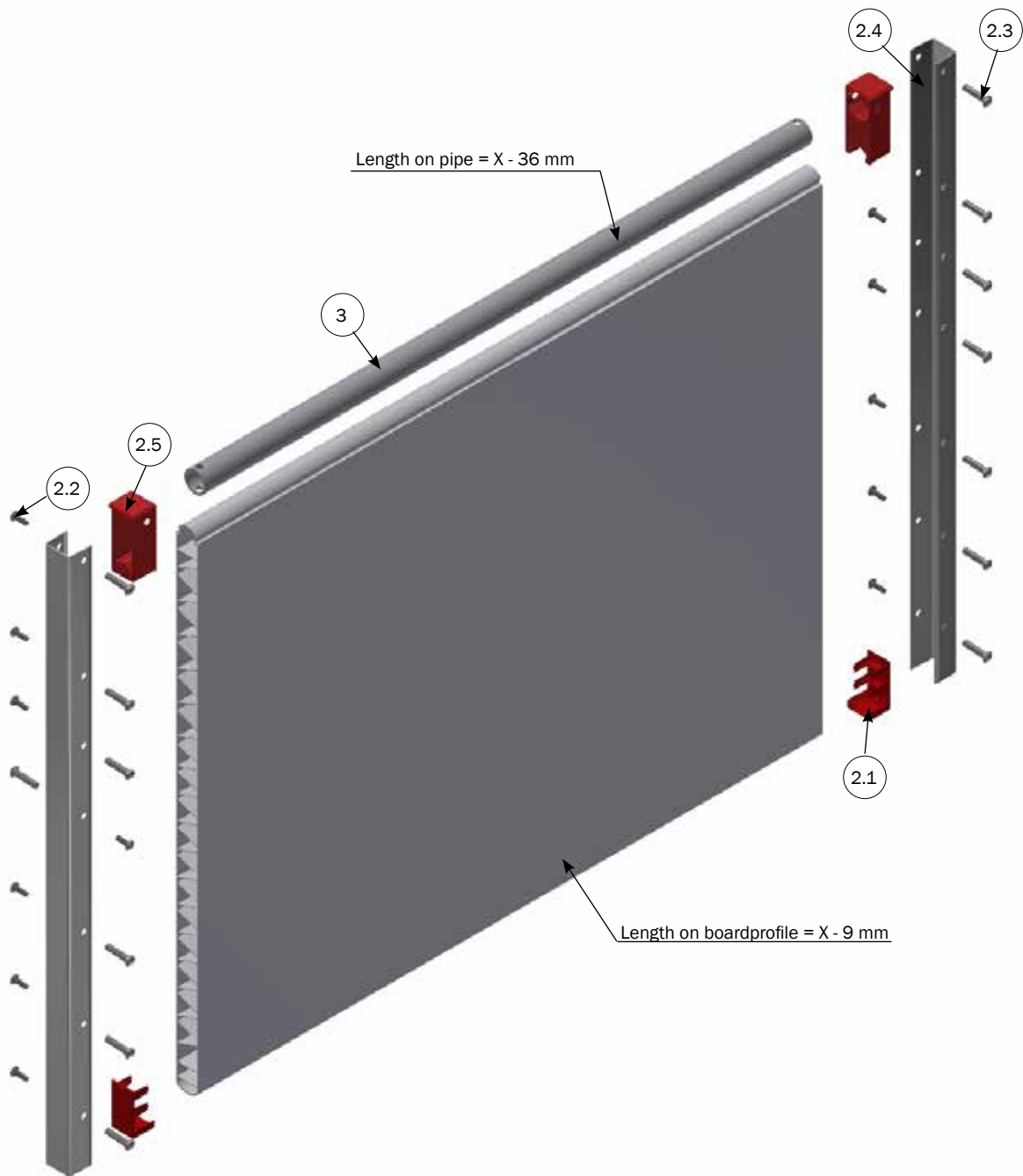
UNASSEMBLED SIDE FOR CLEAN-O-FLEX 850 H85 BOARDPROFILE/1 BAR POST/UPROFILE



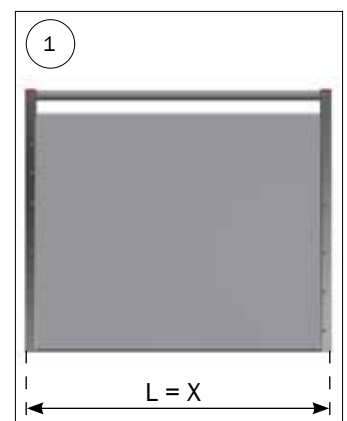
PART LIST			
NO.	ITEM NO.	PCS.	DESCRIPTION
1	30105	LBM	BOARDPROFILE 35X750 MM SPEC. LENGTH PRICE PER METER
2	4210541U	1	KIT FOR SIDE H85 BOARDPROFILE/1 BAR POST/UPROFILE
2.1	30013	2	PLUG PANEL BOTTOM 50 CM/75 CMBOARDPROFILE
2.2	39106020	14	CONNECTION SCREW M6X20 STAINLESS TORX 30
2.3	39206037	14	SPLICING SLEEVE M6X37 STAINLESS TORX 30
2.4	4250023	1	POST FOR CLEAN-O-FLEX H85
2.5	8450627	2	U-PROFIL H85 TIL PLØK
2.6	8530058	2	TOP PLUG 1 BARS 35 MM
3	30105	LBM	BOARDPROFILE 35X750 MM SPEC. LENGTH PRICE PER METER



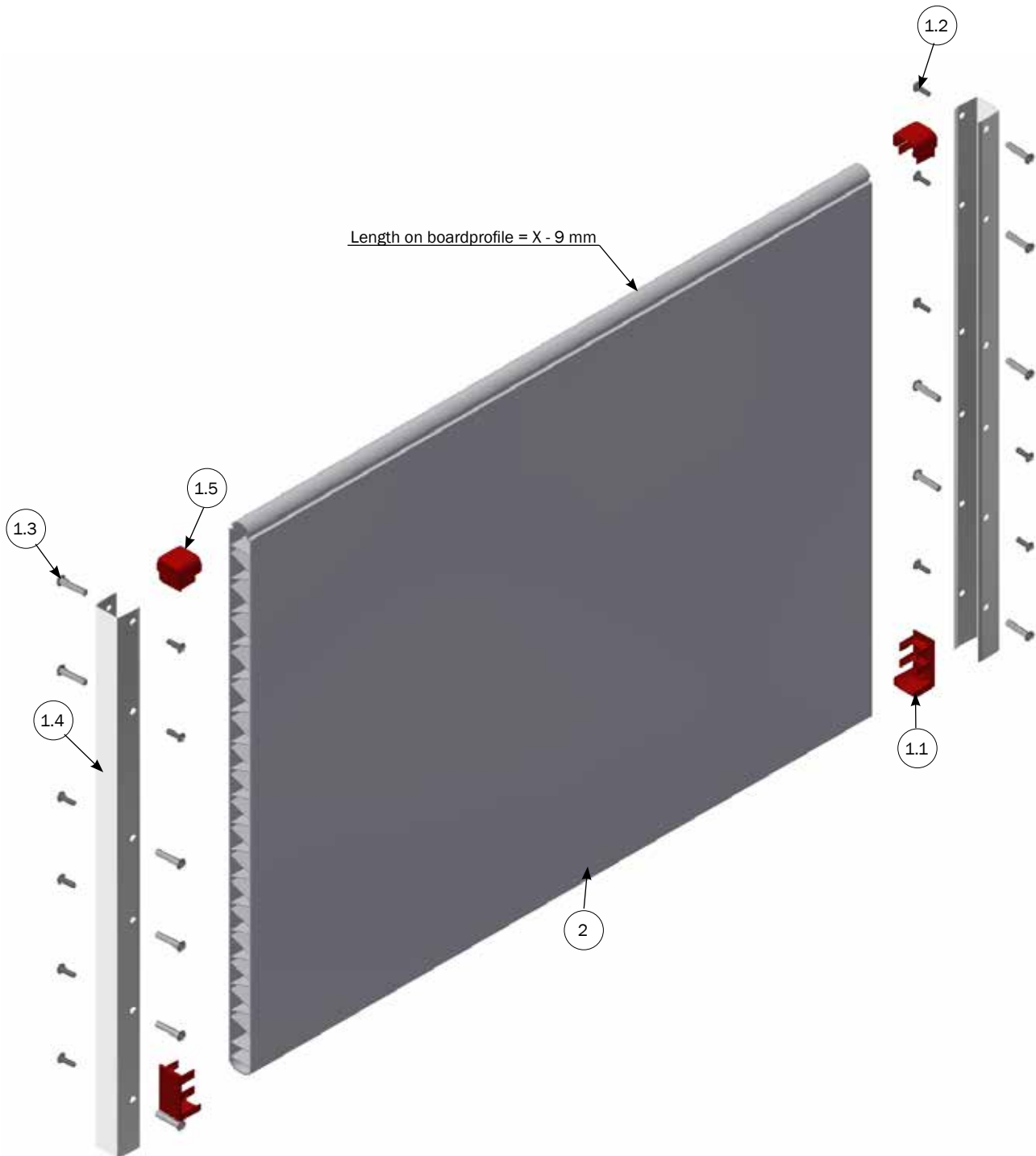
UNASSEMBLED SIDE H85 BOARDPROFILE/1 BAR UPROFILE/UPROFILE



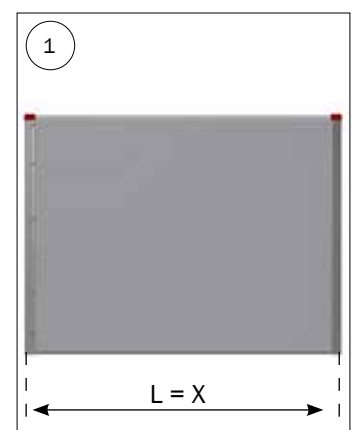
PART LIST			
NO.	ITEM NO.	PCS.	DESCRIPTION
1	30105	LBM	BOARDPROFILE 35X750 MM SPEC. LENGTH PRICE PER METER
2	4210542U	1	KIT FOR SIDE H85 BOARDPROFILE/1 BAR UPROFILE/UPROFILE
2.1	30013	2	PLUG PANEL BOTTOM 50 CM/75 CMBOARDPROFILE
2.2	39106020	14	CONNECTION SCREW M6X20 STAINLESS TORX 30
2.3	39206037	14	SPLICING SLEEVE M6X37 STAINLESS TORX 30
2.4	8450627	2	U-PROFIL H85 TIL PLØK
2.5	8530058	2	TOP PLUG 1 BARS 35 MM
3	30105	LBM	BOARDPROFILE 35X750 MM SPEC. LENGTH PRICE PER METER



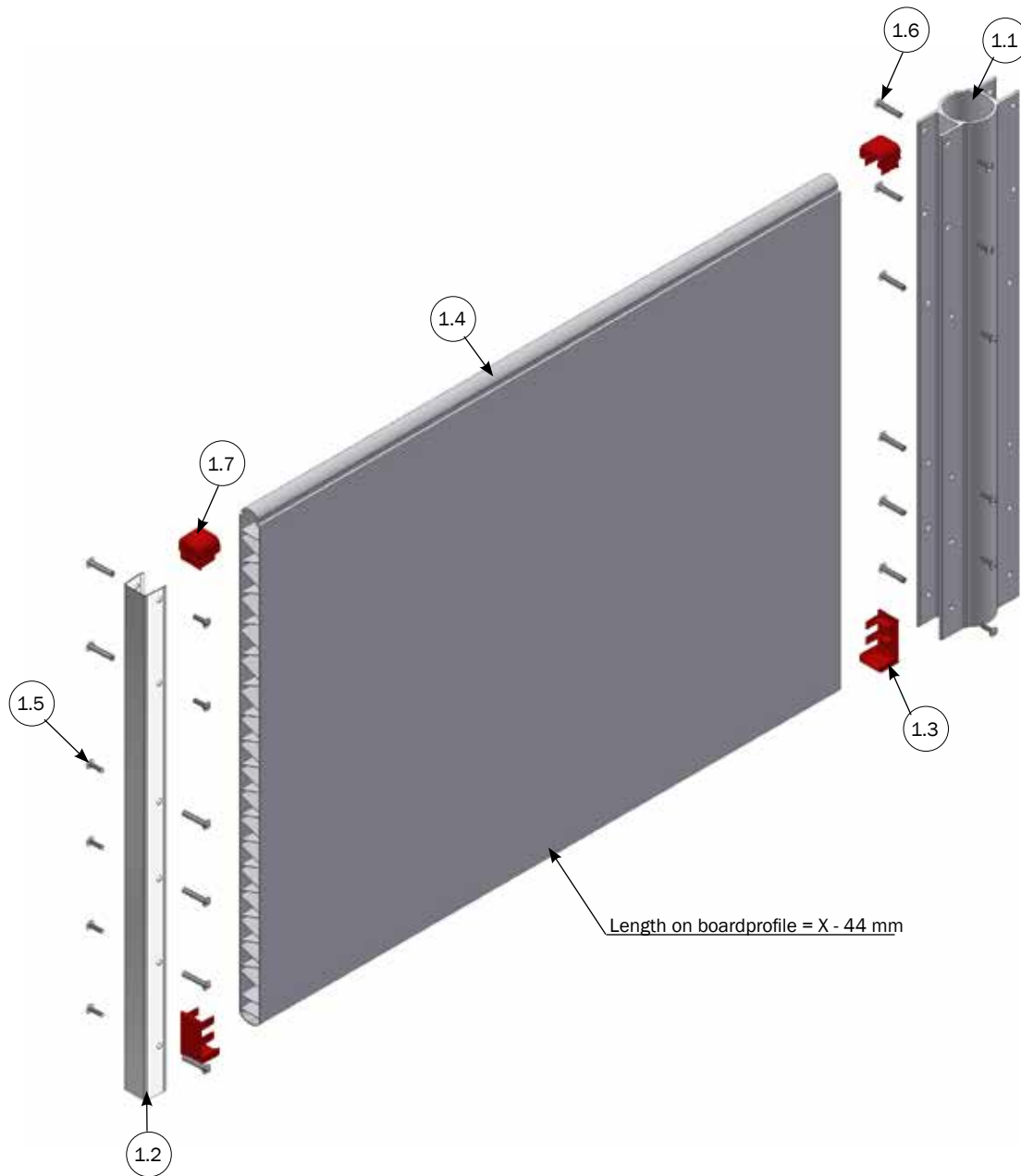
UNASSEMBLED SIDE FOR CLEAN-O-FLEX 850 H85 LIQUIDFEED WALL WITHOUT DOWNPIPE



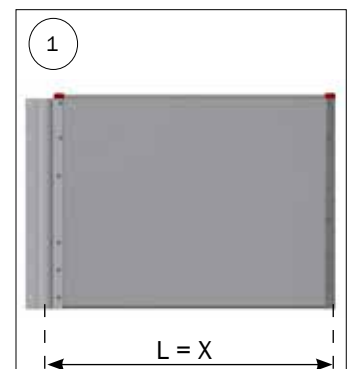
PART LIST			
NO.	ITEM NO.	PCS.	DESCRIPTION
1	4210535	1	SCREWS AND PROFILE FOR 4210535
1.2	30013	2	PLUG PANEL BOTTOM 50 CM/75 CM BOARDPROFILE
1.3	39106020	12	CONNECTION SCREW M6X20 STAINLESS TORX 30
1.4	39206037	12	SPLICING SLEEVE M6X37 STAINLESS TORX 30
1.5	H4583R	2	UPROFILE H753 1,5 MM
1.6	30001	2	PLUG PANEL TOP
2	30105	LBM	BOARDPROFILE 35X750 MM SPEC. LENGTH PRICE PER METER



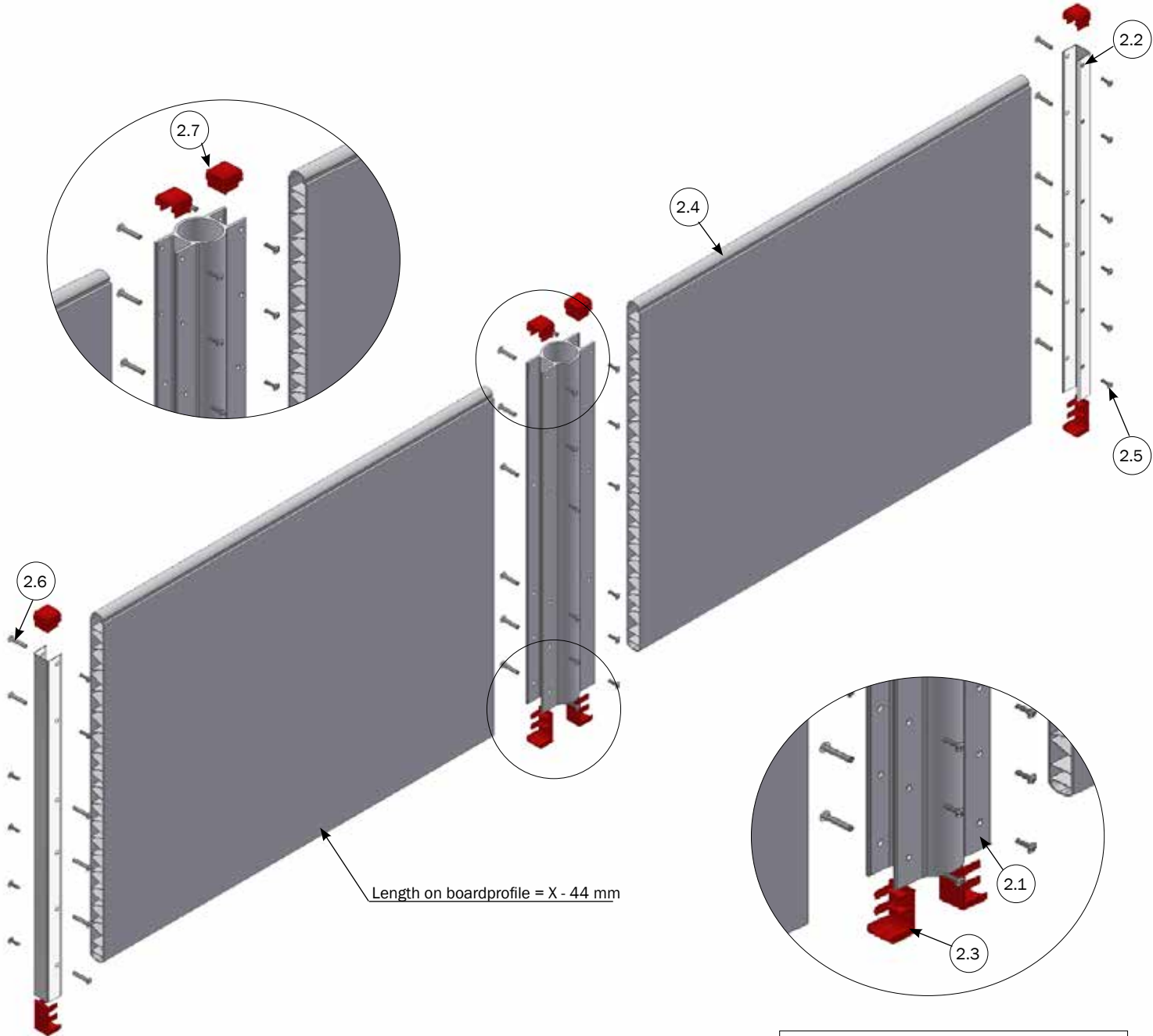
UNASSEMBLED LIQUIDFEED WALL H85 FOR 1+2 DOWNPIPE UPROFILE/DOWNSPIPE



PART LIST			
NO.	ITEM NO.	PCS.	DESCRIPTION
1	1	4210536	LIQUIDFEED WALL H85 FOR 1+2 DOWNPIPE UPROFILE/DOWNSPIPE
1.1	1	30186	DOWNSPIPE INN-O-WALL L=770
1.2	1	H4583R	UPROFILE H753 1,5 MM
1.3	2	30013	PLUG PANEL BOTTOM 50 CM/75 CM BOARDPROFILE
1.4	LBM	30105	BOARDPROFILE 35X750 MM SPEC. LENGTH PRICE PER METER
1.5	12	39106020	CONNECTION SCREW M6X20 STAINLESS TORX 30
1.6	12	39206037	SPLICING SLEEVE M6X37 STAINLESS TORX 30
1.7	2	30001	PLUG PANEL TOP



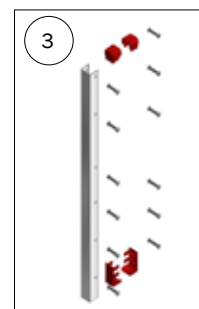
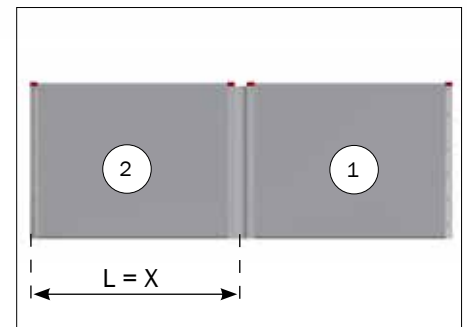
UNASSEMBLED LIQUIDFEED WALL H85 FOR 1 DOWNPIPE UPROFILE/DOWNSPIPE



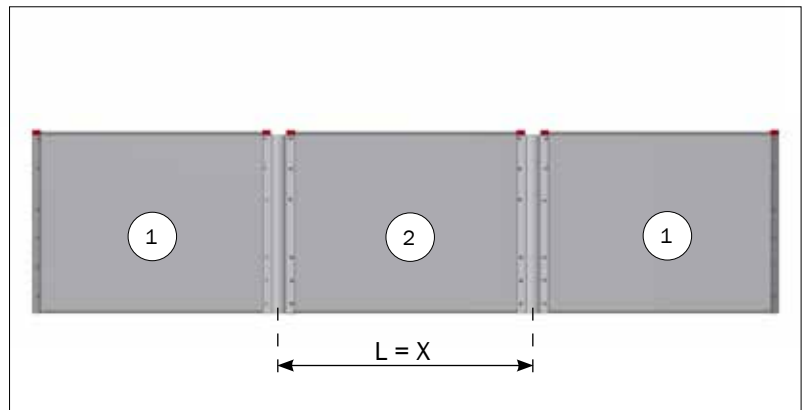
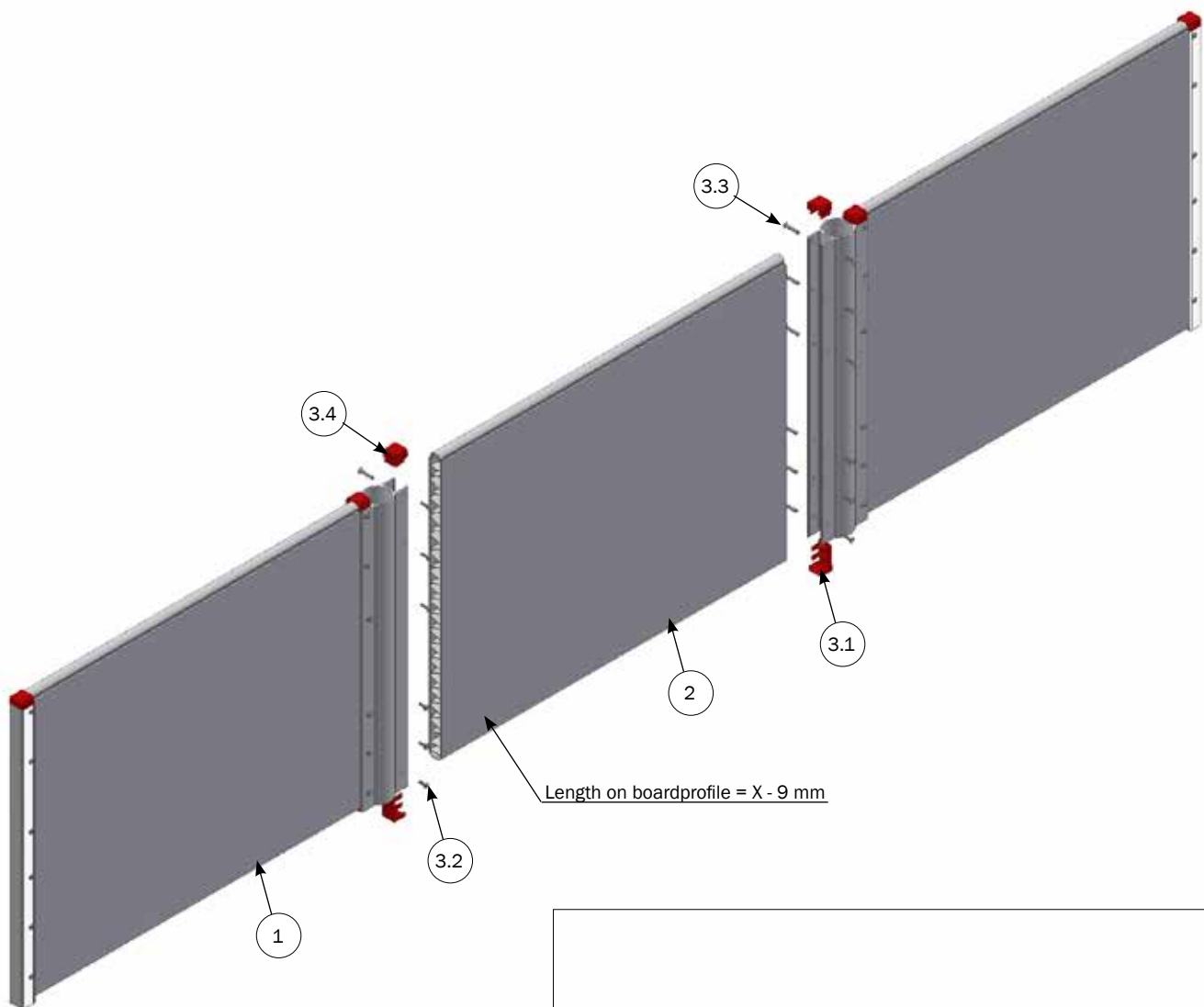
Length on boardprofile = X - 44 mm

PART LIST

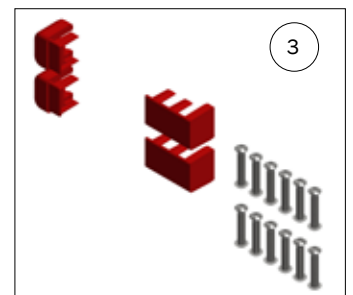
NO.	ITEM NO.	PCS.	DESCRIPTION
1	1	4210538	LIQUIDFEED WALL FOR 1 DOWNPIPE H85 BOARDPROFILE WITHOUT DOWNPIPE
2	1	4210536	LIQUIDFEED WALL H85 FOR 1+2 DOWNPIPE UPROFILE/DOWNSPIPE
2.1	1	30186	DOWNPIPE INN-O-WALL L=770
2.2	1	H4583R	UPROFILE H753 1,5 MM
2.3	2	30013	PLUG PANEL BOTTOM 50 CM/75 CMBOARDPROFILE
2.4	LBM	30105	BOARDPROFILE 35X750 MM SPEC. LENGTH PRICE PER METER
2.5	12	39106020	CONNECTION SCREW M6X20 STAINLESS TORX 30
2.6	12	39206037	SPLICING SLEEVE M6X37 STAINLESS TORX 30
2.7	2	30001	PLUG PANEL TOP
3	1	4200538	SCREWS/PLUG/UPROFILE FOR 4210538 LIQUIDFEED WALL
(2.3)	2	30013	PLUG PANEL BOTTOM 50 CM/75 CMBOARDPROFILE
(2.5)	12	39106020	CONNECTION SCREW M6X20 STAINLESS TORX 30
(2.6)	12	39206037	SPLICING SLEEVE M6X37 STAINLESS TORX 30
(2.2)	1	H4583R	UPROFILE H753 1,5 MM
(2.7)	2	30001	PLUG PANEL TOP



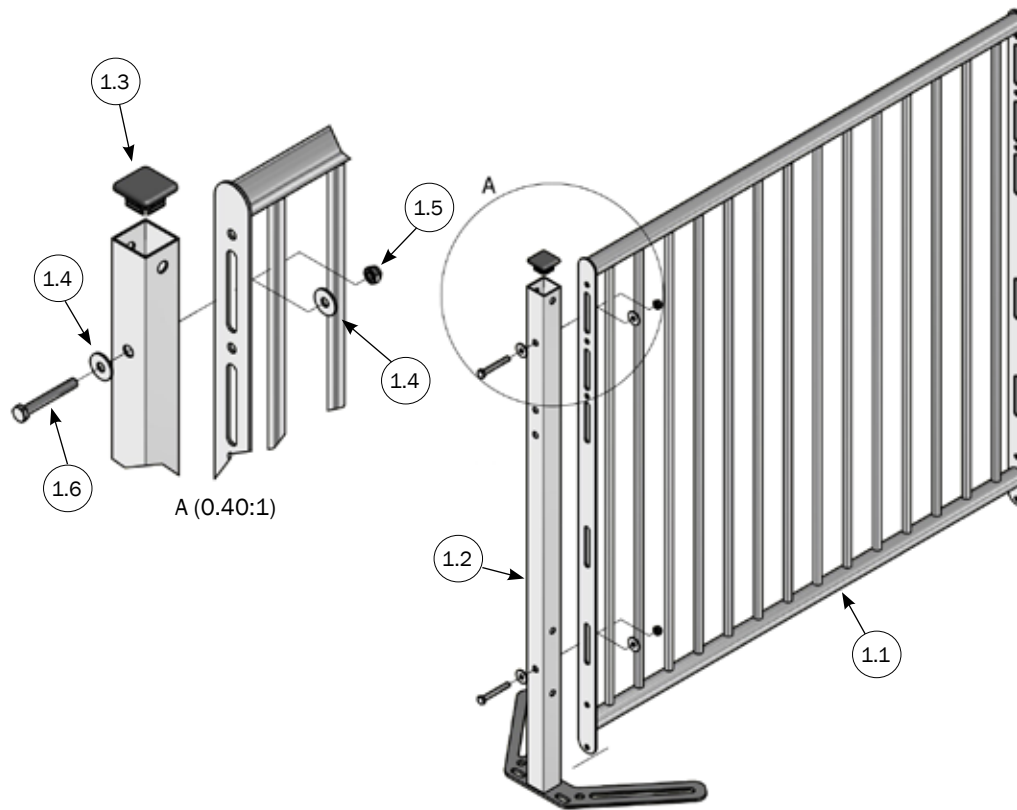
UNASSEMBLED LIQUIDFEED WALL H85 FOR 2 DOWNPIPE UPROFILE/DOWNSPIPE



PART LIST			
NO.	ITEM NO.	PCS.	DESCRIPTION
1	2	4210536	LIQUIDFEED WALL H85 FOR 1+2 DOWNPIPE UPROFILE/DOWNSPIPE
2	1	4210537	LIQUIDFEED WALL MIDDEL PIECE H85 BOARDPROFILE
3	1	4200537	SCREWS AND PLUG FOR 4210537 LIQUIDFEED WALL
3.1	2	30013	PLUG PANEL BOTTOM 50 CM/75 CM BOARDPROFILE
3.2	12	39106020	CONNECTION SCREW M6X20 STAINLESS TORX 30
3.3	12	39206037	SPLICING SLEEVE M6X37 STAINLESS TORX 30
3.4	2	30001	PLUG PANEL TOP



GRILLE FOR CLEAN-O-FLEX 850 850-1540 MM



NO.	ITEM NO.	PCS.	DESCRIPTION
		4450876	GRILLE FOR FIBER 850/1540
1.1	1	445087X	STAINLESS STEEL CONTACTGRILLE H850 L1500
1.2	(1)	4450001	POST FOR GRILLE H850
1.3	1	30085	TOP CAP 40X40X2
1.4	4	35600058	NUT WASHER Ø8X8,4/24/2 A2 DIN9021
1.5	2	33908001	LOCK NUT M8 A2 DIN 985
1.6	2	32508060	MACHINE SCREW M8X60 A2 DIN 931

