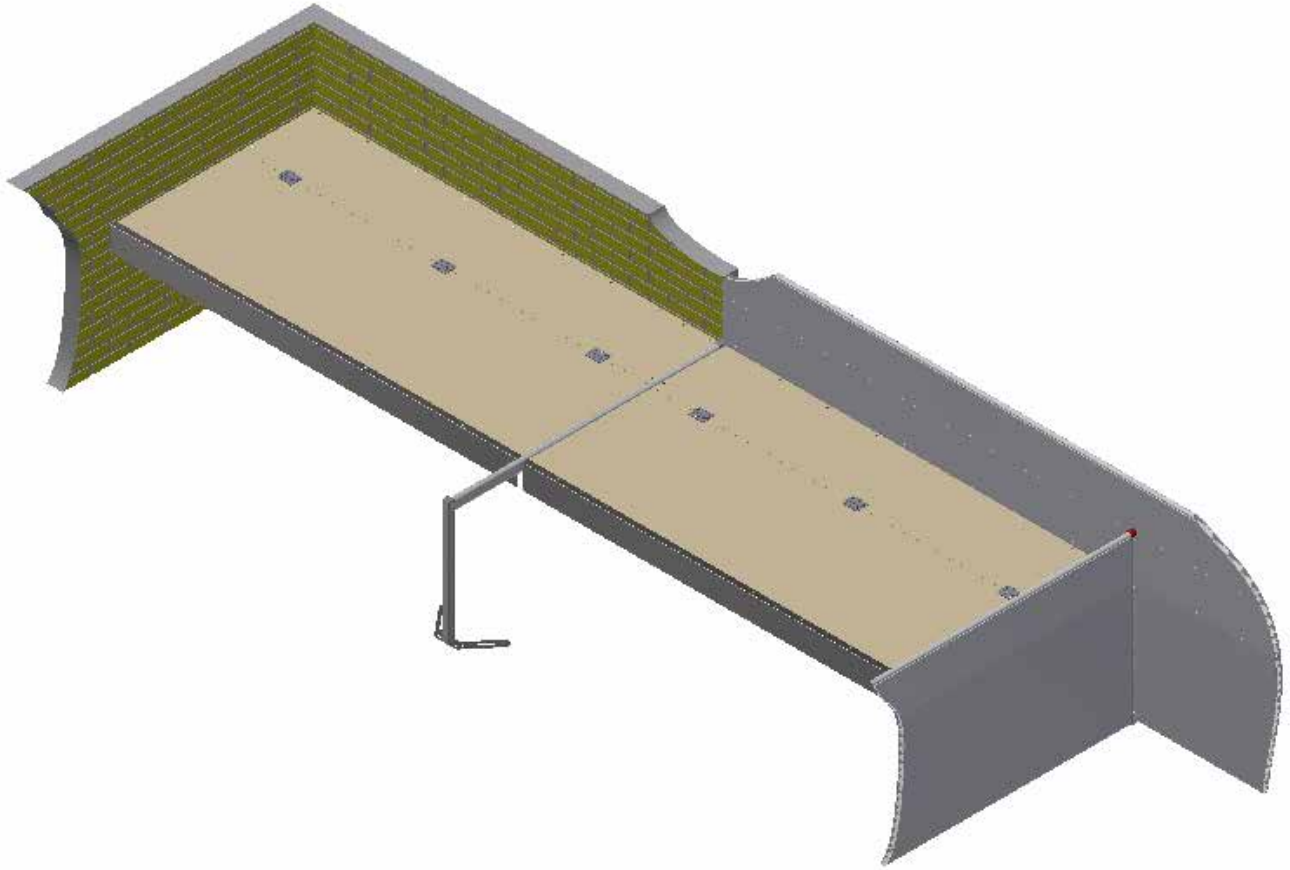


MOUNTING INSTRUCTION



WOOD COVER STRAIGHT AND SLOPED COVER

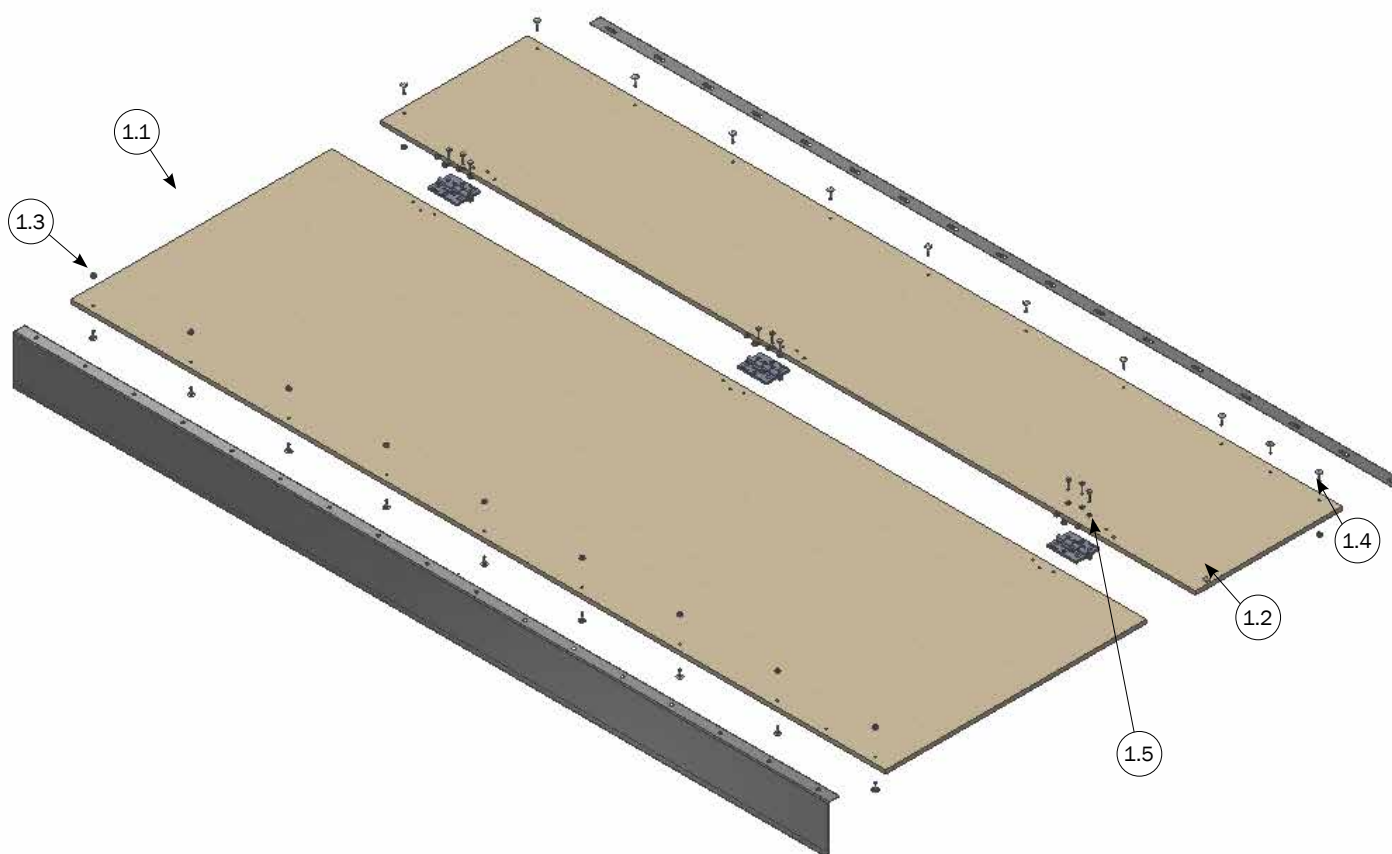


ACO FUNKI A/S
Kirkevænget 5
DK-7400 Herning

Tel. +45 9711 9600
www.acofunki.com
www.egebjerg.com

ASSEMBLE OF 2-PIECE STRAIGHT AND SLOPED COVER WITH FIXED MEASUREMENTS

NB!
Flexcover parts are delivered unassembled.



PART LIST			
NO.	PCS.	ITEM NO.	DESCRIPTION
1		3900197	COVER WITH TILTING LID, 0-2545 MM
1.1	1	3910197	COVER WITH TILTING LID, 0-2545 MM
1.2	1	3910197	COVER WITH TILTING LID, 0-2545 MM
1.3	21	33506011	COLLAR HEAD NUT M6 A2 DIN 6923
1.4	12	36306020	MUSHROOMHEADED BOLT M6X20 A2 DIN 603
1.5	9	35600032	FLAT WASHER Ø6X6,4/12/1,6 A2 DIN 125 A

CUTTING INSTRUCTIONS FOR COVER

Between partition (35 mm panel):

Length of climate cover = Pen width C/C - 45 mm

Pen against the wall (35 mm panel):

Length of climate cover = Pen width wall to the center of partition - 25 mm

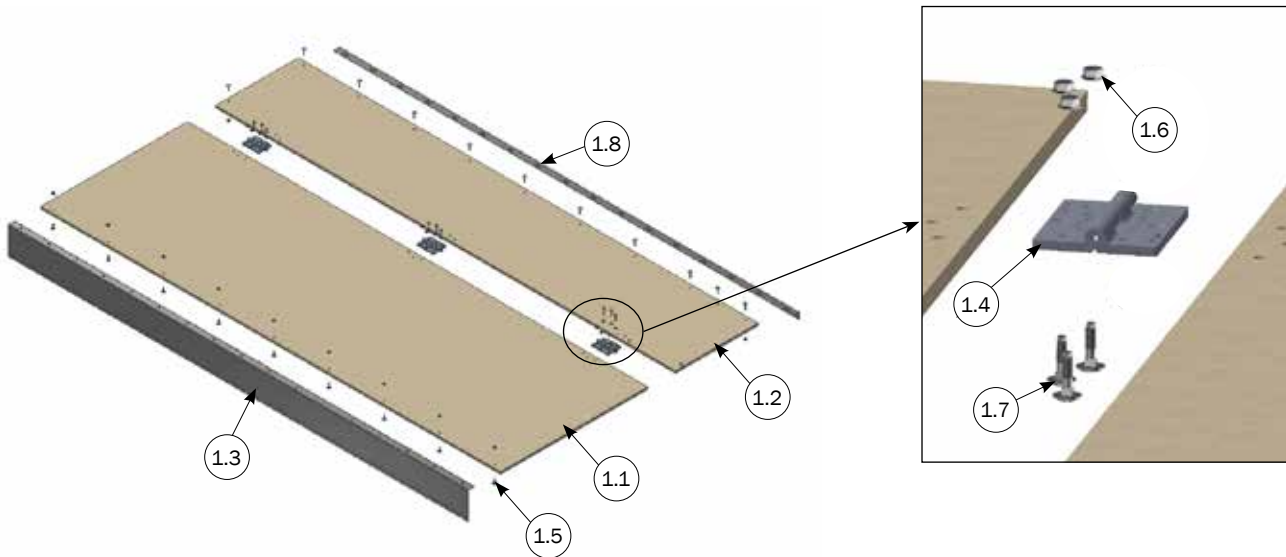
For example:

Pen width 2000 mm C/C, 35 mm panel

Length of climate cover wall = 2000 - 45 = 1955 mm

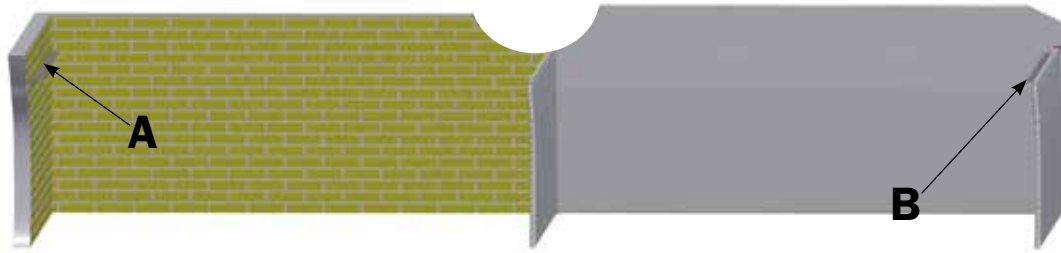
Length of climate cover boardprofile = 2000 - 25 = 1975 mm

mm

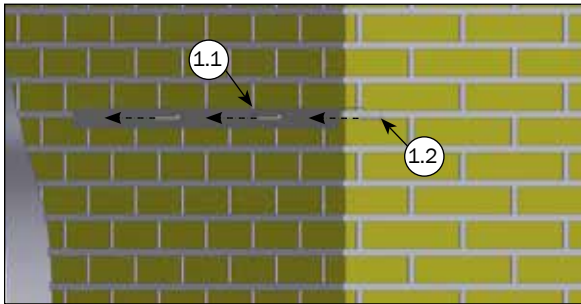


PART LIST			
NO.	PCS.	ITEM NO.	DESCRIPTION
1		3910197	COVER WITH TILTING LID, 0-2545 MM
1.1	1,56 m ²	9390000	12MM WISA-FORM RWS 1250X2500 MM
1.2	1,56 m ²	9390000	12MM WISA-FORM RWS 1250X2500 MM
1.3	1	8440115	GUARD PLATE FOR COVER
1.4	3	2910590	PLASTIC HINGE
1.5	9	36306020	MUSHROOMHEADED BOLT M6X20 A2 DIN 603
1.6	18	33506011	COLLAR HEAD NUT M6 A2 DIN 6923
1.7	9	36306025	MUSHROOMHEADED BOLT M6X25 A2 DIN 603
1.8	1	8440090	FITTING FOR COVER WALL

MOUNTING OF V-RAIL

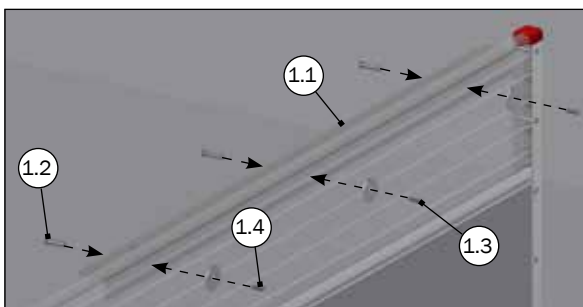


A

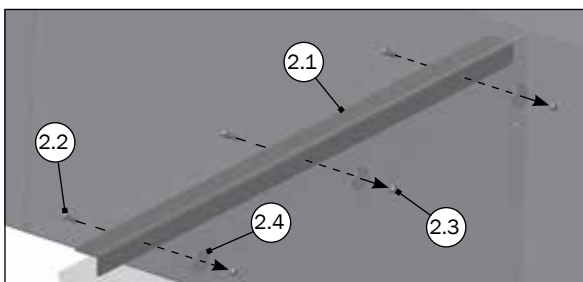


V-RAIL ON WALL			
NO.	PCS.	ITEM NO.	DESCRIPTION
1		4900874	V-RAIL FOR WALL
1.1	1	8440110	PROFILE FOR COVER
1.2	3	39406050	CONCRETE SCREW 6,5 X 50 STAINLESS STEEL

B



V-RAIL ON BOARDPROFILE			
NO.	PCS.	ITEM NO.	DESCRIPTION
1		4900871	V-RAIL FOR BOARDPROFILE
1.1	1	8440110	PROFILE FOR COVER
1.2	3	39106020	CONNECTION SCREW M6X20 STAINLESS TORX 30
1.3	3	39206037	SPLICING SLEEVE M6X37 STAINLESS TORX 30
1.4	3	20037	MASTER CLAMP WASHER Ø10,5/45 1,5 A2



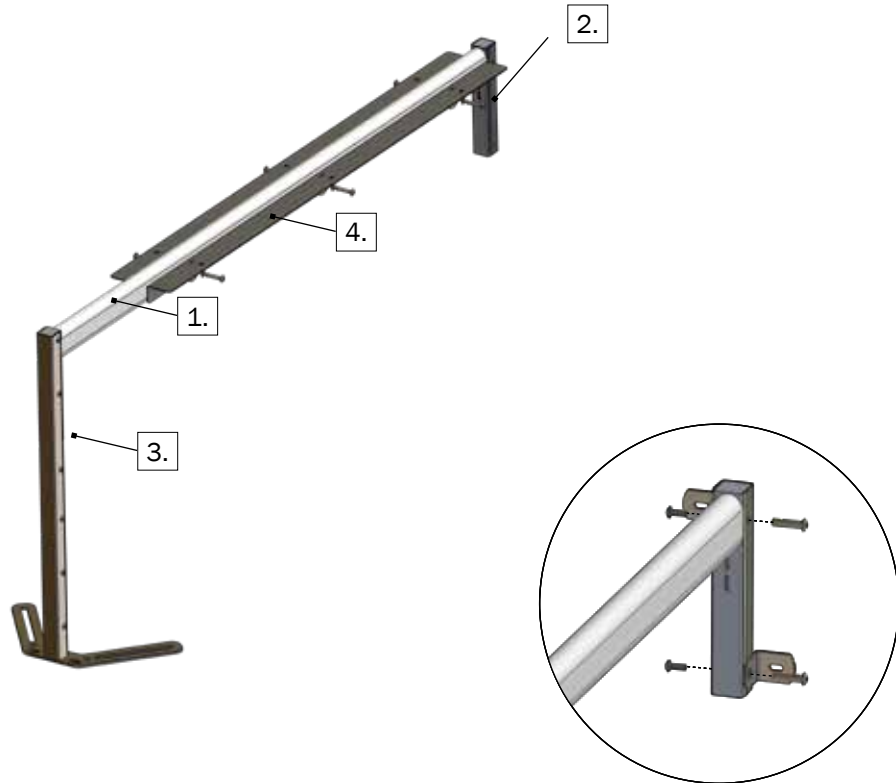
V-RAIL ON PLATE			
NO.	PCS.	ITEM NO.	DESCRIPTION
2		4900873	V-RAIL FOR PLATE
2.1	1	8440110	PROFILE FOR COVER
2.2	3	30308025	SET SCREW M8X25 A2 DIN 933
2.3	3	33908001	LOCK NUT M8 A2 DIN 985
2.4	3	35600058	NUT WASHER Ø8X8,4/24/2 A2 DIN9021

ASSEMBLY OF SUPPORT FOR DOUBLE COVER

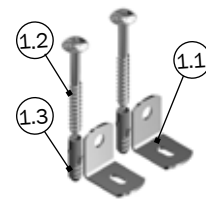
Board profile 70x35 should be cut according to the cover depth.

Cutting length to Board profile 70mm

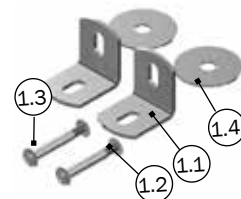
Flexcover depth	Board profile oval length
1250	1350



U-POST AGAINST WALL			
No.	PCS.	ITEM No.	DESCRIPTION
1	1	38520	MOUNT KIT FOR U-POST AGAINST WALL
1.1	1	30906	WALL BRACKET ANGLE/PANEL
1.2	2	67444	10 X 70 BUTTON HEAD TORX 50 STAINLESS STEEL
1.3	1	39900001	WALL PLUG 12X60 MM



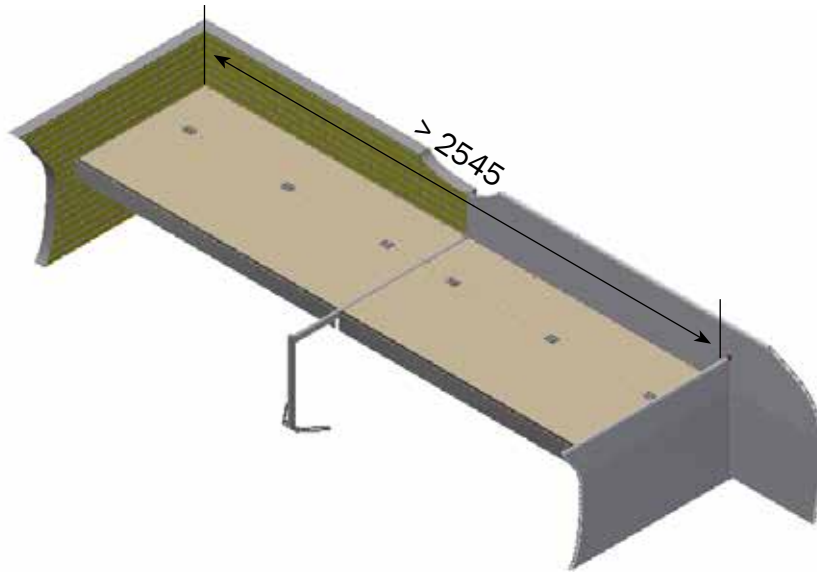
U-POST SINGLE/(DOUBLE) IN BOARD PROFILE			
No.	PCS.	ITEM No.	DESCRIPTION
1	1(2)	38518	MOUNTING KIT F/U-POST H50 SINGLE ON BOARDPROFILE
1.1	2(4)	30900	WALL BRACKET SMALL
1.2	2(4)	39106020	CONNECTION SCREW M6X20 STAINLESS TORX 30
1.3	2(4)	39206037	SPLICING SLEEVE M6X37 STAINLESS TORX 30
*1.4	2(4)	20037	MASTER CLAMP WASHER Ø10,5/45 1,5 A2



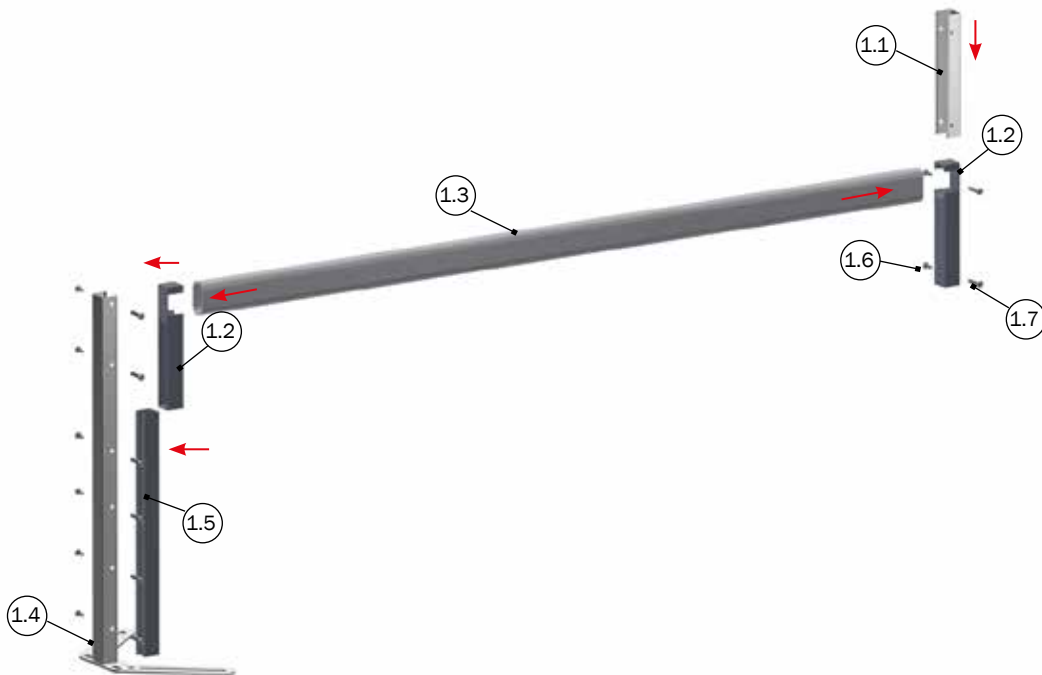
* Pos. no 1.4 is not in use when mounting u-post double.

ASSEMBLY OF SUPPORT FOR DOUBLE COVER

Support for double cover should be mounted, if Flexcover length is more then 5 meter.



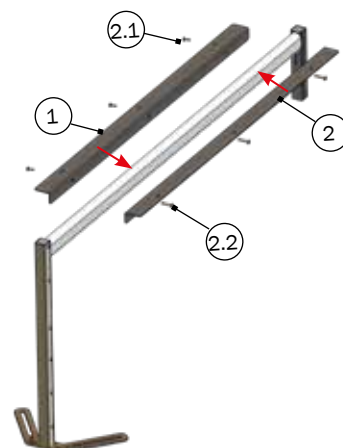
Support for double Flexcover - overview



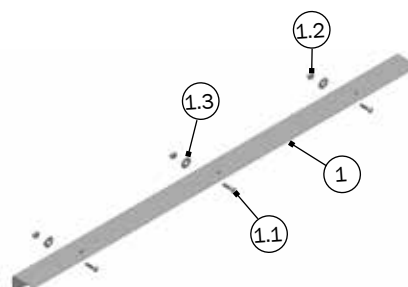
* Adjusted according to Flexcover depth

SUPPORT FOR DOUBLE FLEXCOVER			
No.	PCS.	ITEM No.	DESCRIPTION
1	1	3100314	SUPPORT FOR DOUBLE FLEXCOVER
1.1	1	3150314	UPROFILE H:252 MM
1.2	2	8500154	INSERT FOR SINGLE 70X35 MM BOARD, STRAIGHT
*1.3	1	9340350	BOARD PROFILE 70X35 OVAL SPEC.LENGTH, PRICE PER METER
1.4	1	3250101	POST FOR CLEAN-O-FLEX H750 H
1.5	1	9340400	PVC PROFILE FOR LAMINATE PLATE, PRICE PER. METER
1.6	8	39106020	CONNECTION SCREW M6X20 STAINLESS TORX 30
1.7	8	39206037	SPLICING SLEEVE M6X37 STAINLESS TORX 30

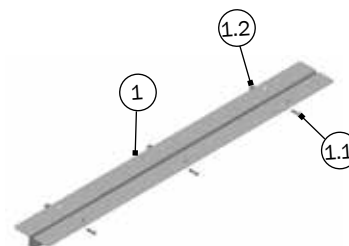
V-RAIL FOR DOUBLE FLEXCOVER			
No.	PCS.	ITEM No.	DESCRIPTION
1	1	4900874	V-RAIL COVER WALL
2	1	4900870	V-RAIL F COVER ON BOARDPROFILE
2.1	3	39106020	CONNECTION SCREW M6X20 STAINLESS TORX 30
2.2	3	39206037	SPLICING SLEEVE M6X37 STAINLESS TORX 30
*2.3	3	20037	MASTER CLAMP WASHER Ø10, 5/45 1,5 A2



V-RAIL FOR FLEXCOVER SINGLE-PLATE			
NO.	PCS.	ITEM NO.	DESCRIPTION
1	1	4900873	V-RAIL COVER ON PLATE, SINGLE
1.1	3	30308025	SET SCREW M8X25 A2 DIN 933
1.2	3	33908001	LOCK NUT M8 A2 DIN 985
1.3	3	35600058	NUT WASHER Ø8X8,4/24/2 A2 DIN9021



V-RAIL FOR FLEXCOVER DOUBLE-PLATE			
NO.	PCS.	ITEM NO.	DESCRIPTION
1	2	4900872	V-RAIL COVER ON PLATE, DOUBLE
1.1	3	30308025	SET SCREW M8X25 A2 DIN 933
1.2	3	33908001	LOCK NUT M8 A2 DIN 985



MOUNTING OF COVER - SLOPED

