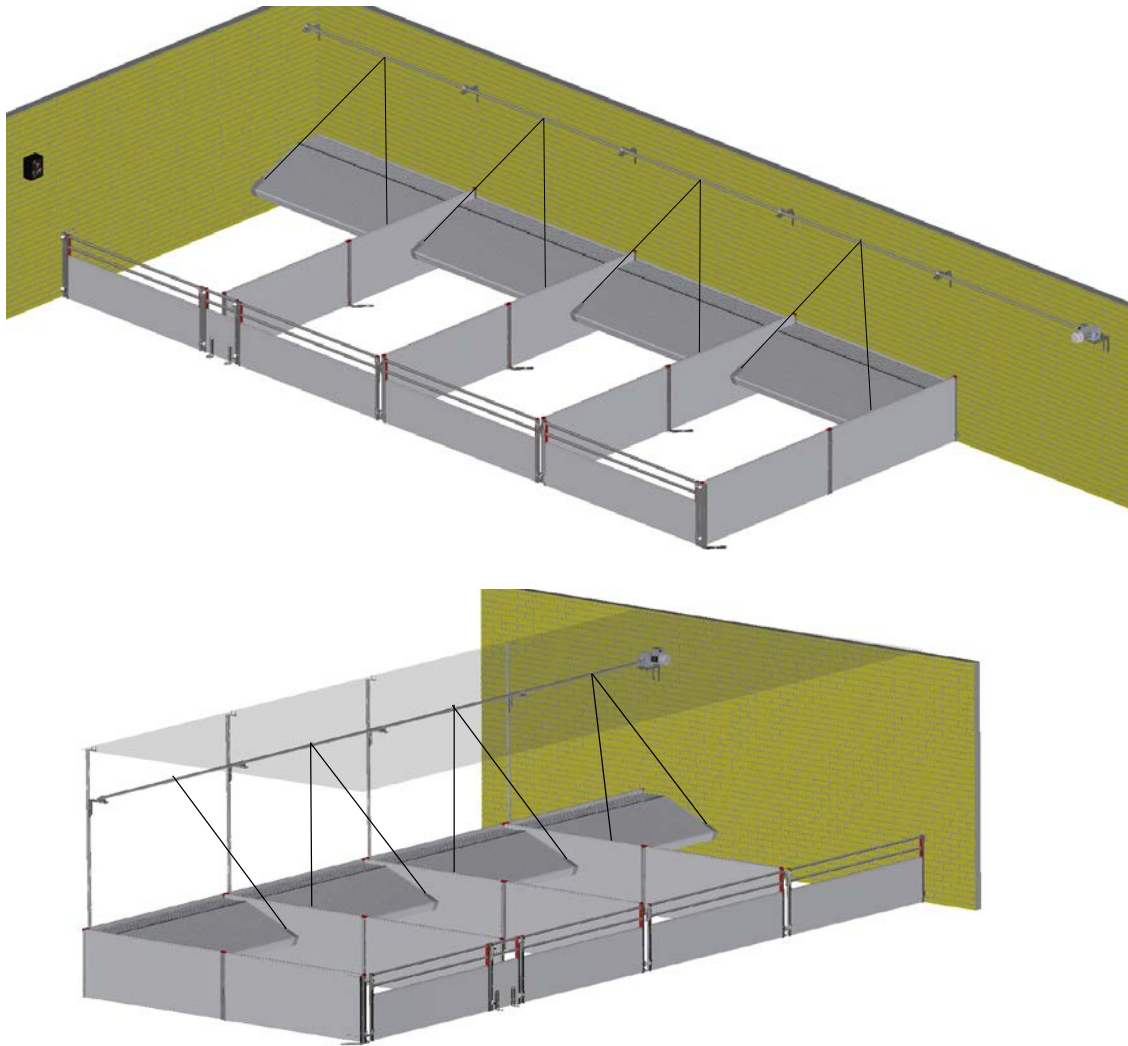


MOUNTING INSTRUCTION



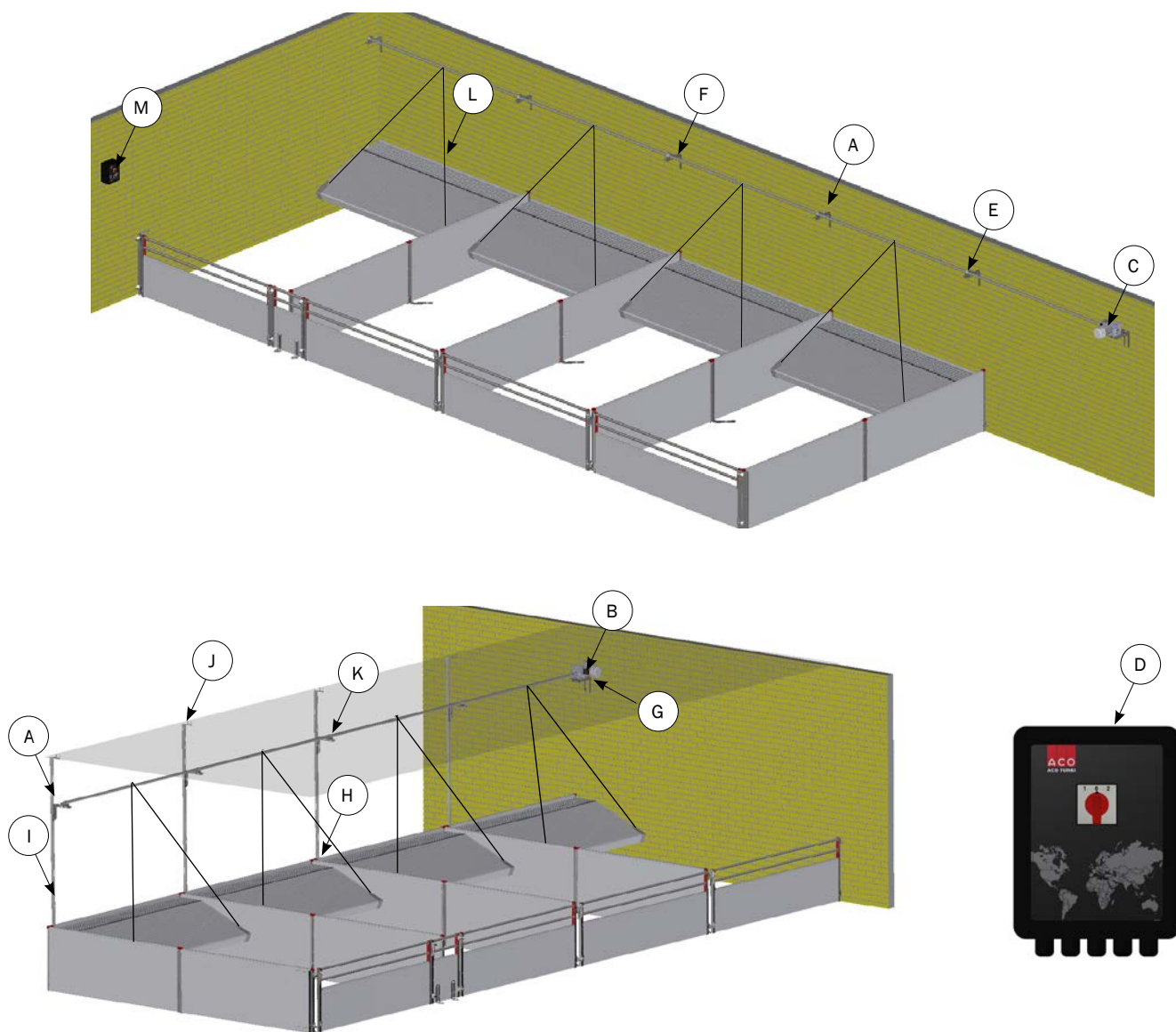
OPENING SYSTEM FOR COVERED AREA WOODEN/FLEX COVER



ACO FUNKI A/S
Kirkevænget 5
DK-7400 Herning

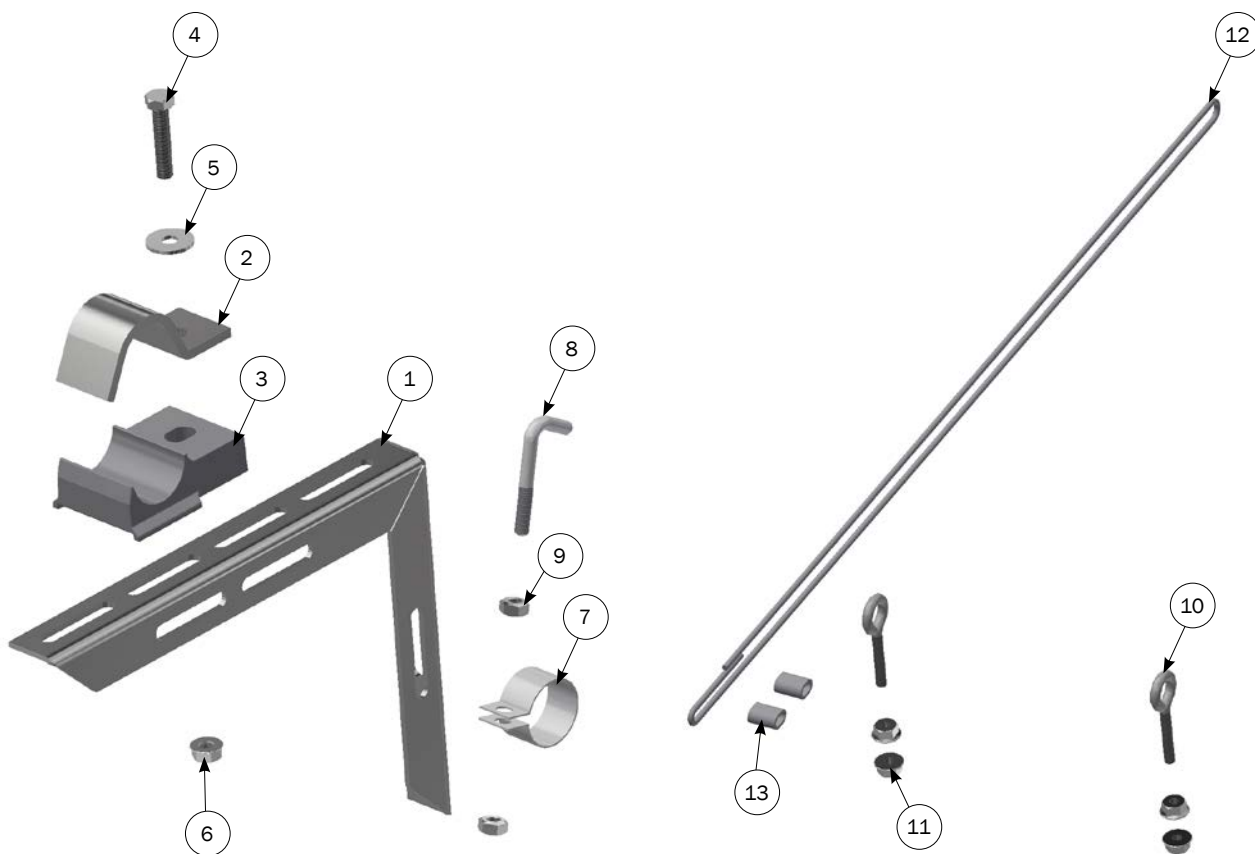
Tel. +45 9711 9600
www.acofunki.com
www.egebjerg.com

OVERVIEW



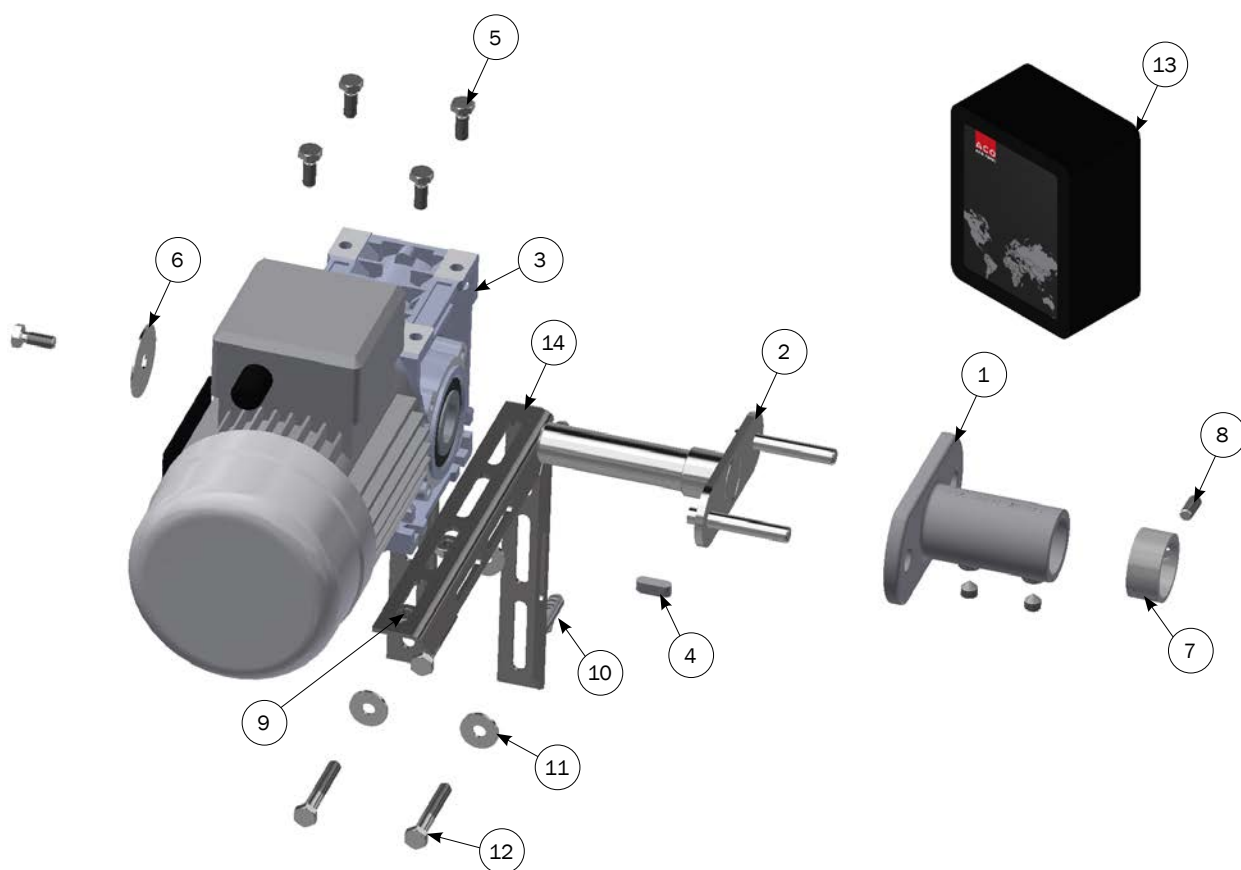
| OVERVIEW | | |
|----------|------|--|
| NO. | SITE | DESCRIPTION |
| A | 3-4 | PART LIST |
| B | 5 | MIRROR REVERSE OF GEAR MOTOR |
| C | 5 | MAXIMUM LOAD OF MOTOR |
| D | 6 | EL DIAGRAM |
| E | 7 | MOUNTING OF PIPE BEARING ON WALL |
| F | 8 | MOUNTING OF PIPES AND PIPE HANGER |
| G | 9 | MOUNTING OF GEAR MOTOR AND LOCKING RING FOR PIPE |
| H | 10 | MOUNTING OF FORK FOR C-SHAPED TUBE SUPPORT |
| I | 10 | MOUNTING OF C-SHAPED TUBE SUPPORT |
| J | 11 | MOUNTING OF PIPE HANGER 5/10 CM |
| K | 11 | MOUNTING OF PIPE HANGER |
| L | 12 | MOUNTING OF NYLON STRING |
| M | 12 | COVER ADJUSTMENT UP AND DOWN |

PART LIST



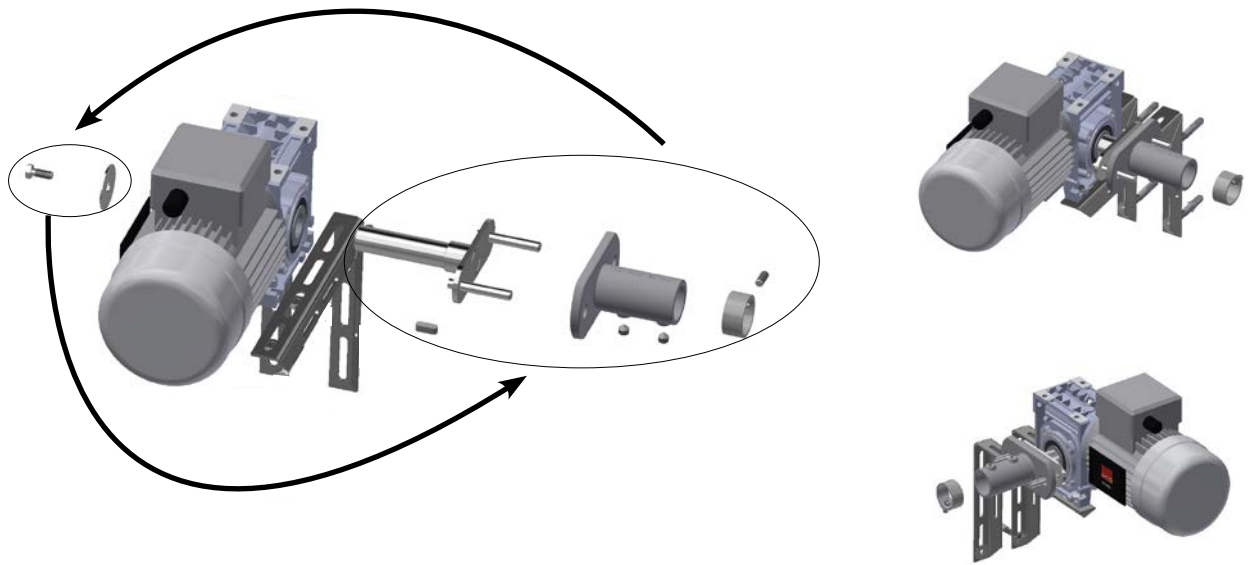
| PART LIST | | | |
|-----------|----------|--------------------------------------|------|
| NO. | ITEM NO. | DESCRIPTION | PCS. |
| | 4900543 | BRACKET FOR COVER OPENING SYSTEM | |
| 1 | 0146-377 | PIPE HANGER 20X26 CM | 1 |
| 2 | 16375 | PIPE RETAINER 1' WITHOUT BOLT | 1 |
| 3 | 58515 | PLASTICBEARING F/1 JOINT OPENING BAR | 1 |
| 4 | 30308040 | SET SCREW M8X40 ST DIN 933 | 1 |
| 5 | 35600058 | NUT WASHER Ø8X8,4/24/2 A2 DIN9021 | 1 |
| 6 | 68552 | M8 FLANGE NUT DIN 6923 A2 | 1 |
| 7 | 12100263 | 1' GALV. PIPE CLAMP | 1 |
| 8 | 9921401 | HOOK BOLT M8 | 1 |
| 9 | 33508013 | NUT M8 A2 DIN 934 | 2 |
| 10 | 39900065 | EYE SCREW M6X30 FZB | 2 |
| 11 | 33506011 | COLLAR HEAD NUT M6 A2 DIN 6923 | 4 |
| 12 | 29100042 | NYLON STRING Ø4 MM | 6 M. |
| 13 | 39900108 | ALU-BUSHING 4MM TALURIT | 2 |

PART LIST

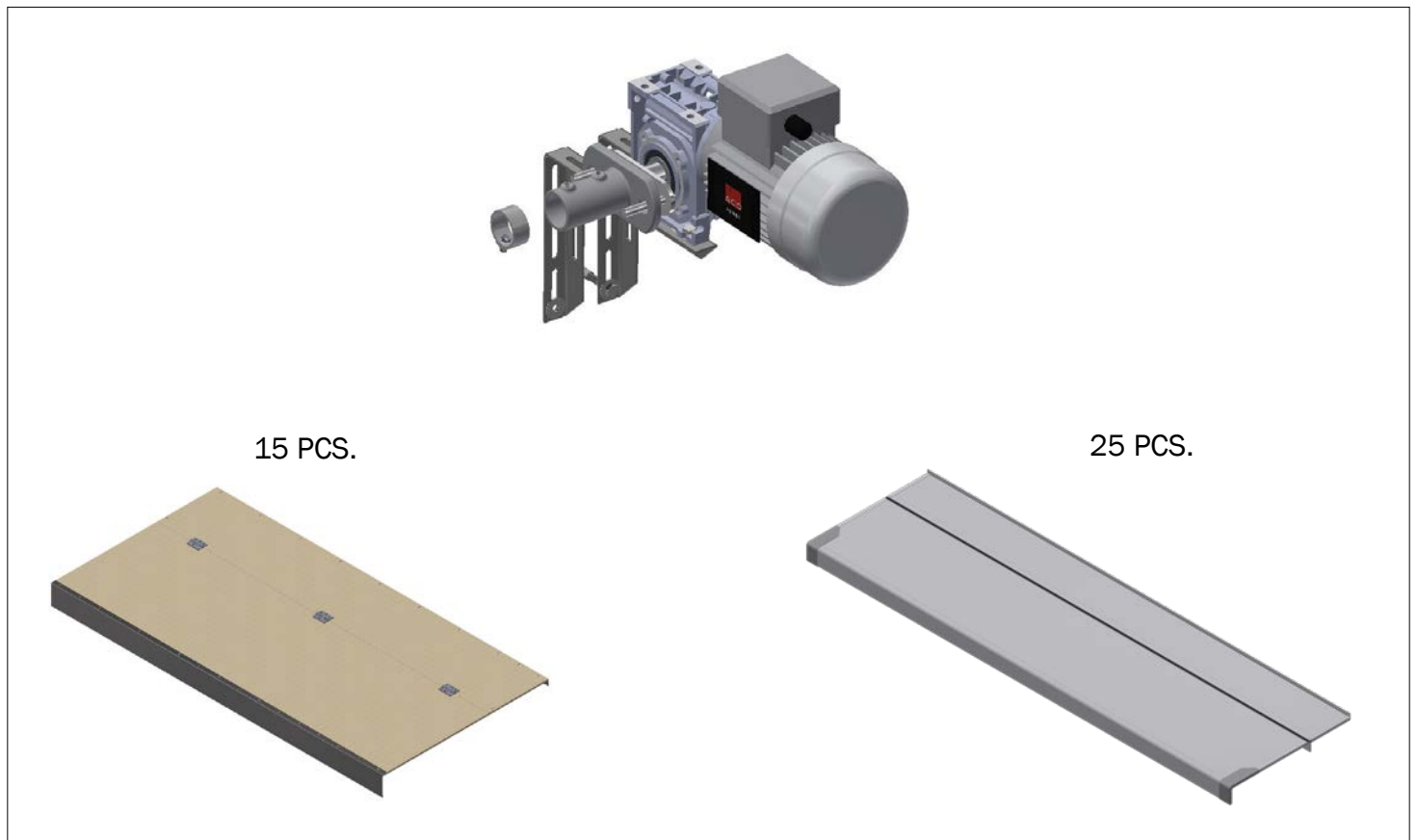


| PART LIST | | | |
|-----------|----------|--|------|
| NO. | ITEM NO. | DESCRIPTION | PCS. |
| | 4900332 | OPENING SYSTEM FOR COVER INCL. CONTROLLER | |
| 1 | 2010701 | 1" TUBE FITTINGS W/BASE PLATE/ WALL AND BOARDPROFILE | 1 |
| 2 | 4950332 | SHAFT FOR OPENING SYSTEM | 1 |
| 3 | 74040007 | GEAR MOTOR 0.55KW IE1 230/400V | 1 |
| 4 | 0211-311 | PARALLEL KEY A8X7X22 | 1 |
| 5 | 30308020 | SET SCREW M8X20 A2 DIN 933 | 5 |
| 6 | 20037 | MASTER CLAMP WASHER Ø10,5/45 1,5 A2 | 1 |
| 7 | 4620015 | LOCKING RING FOR 1" PIPE | 1 |
| 8 | 38308020 | POINTED SCREW M8X20 DIN 914 | 1 |
| 9 | 68552 | M8 FLANGE NUT DIN 6923 A2 | 4 |
| 10 | 39900120 | WALL PLUG 10X50MM | 4 |
| 11 | 35600058 | NUT WASHER Ø8X8,4/24/2 A2 DIN9021 | 4 |
| 12 | 34908061 | COACH SCREW M8X60 A2 DIN 571 | 4 |
| 13 | 0170-760 | BLACK BOX FOR COVER OPENING SYSTEM | 1 |
| 14 | 0146-377 | PIPE HANGER 20X26 CM | 2 |

MIRROR REVERSE OF GEAR MOTOR

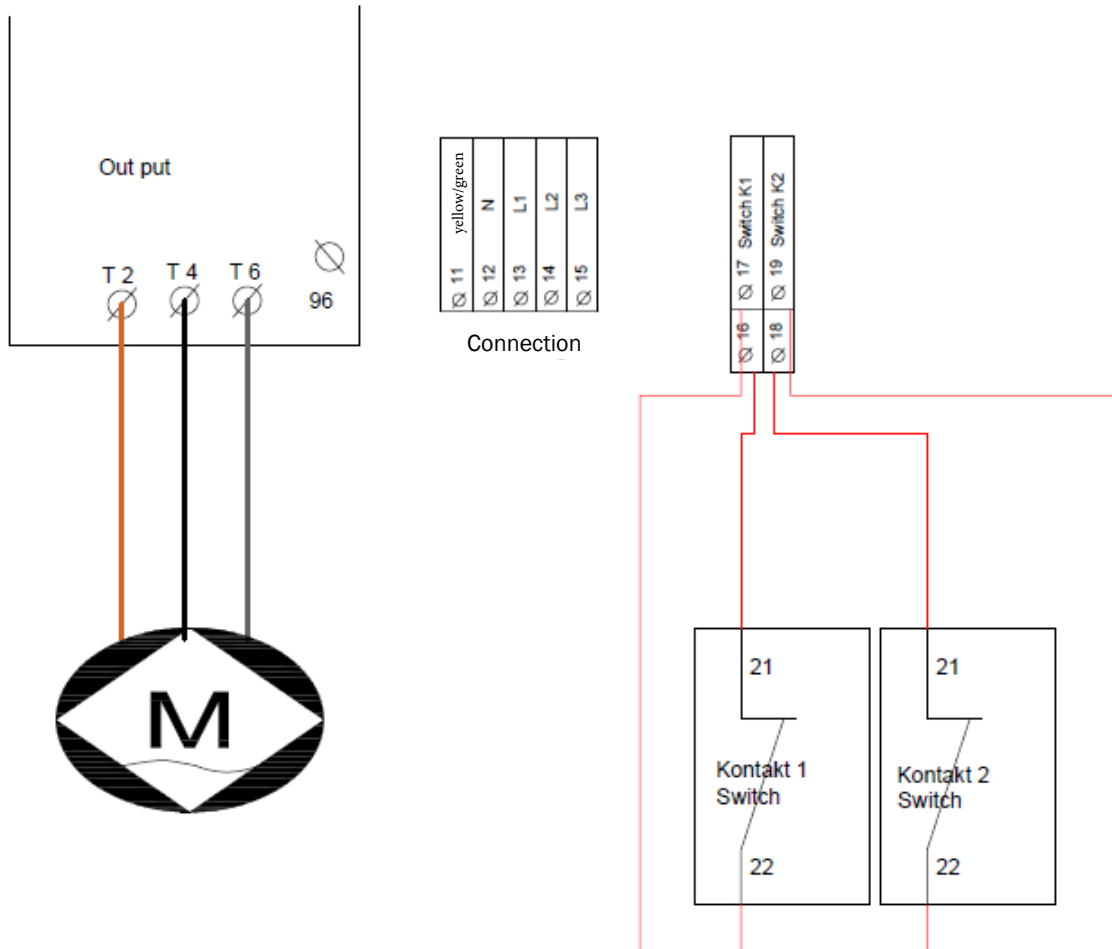


MAXIMUM LOAD OF MOTOR

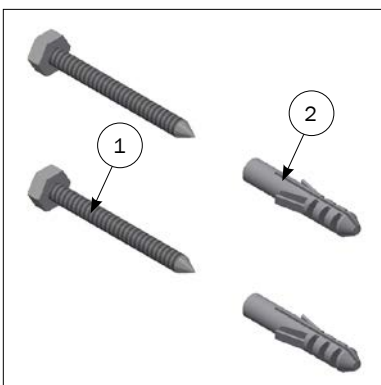
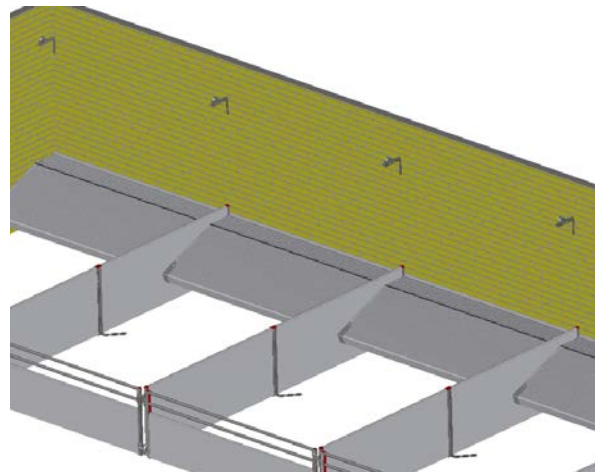
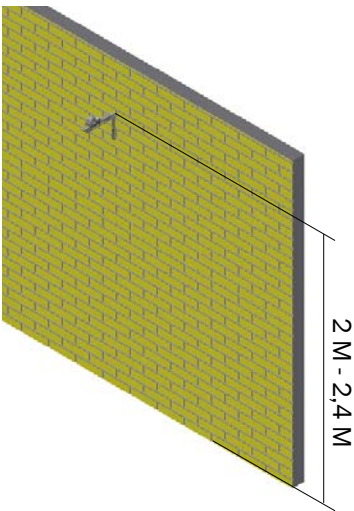
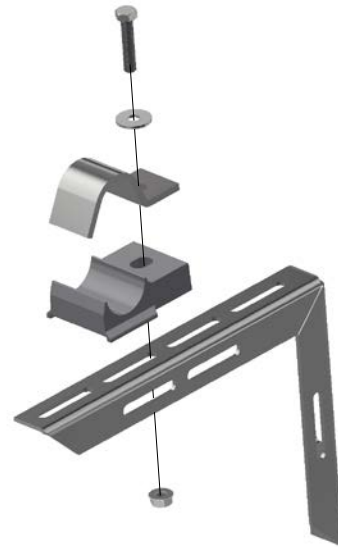
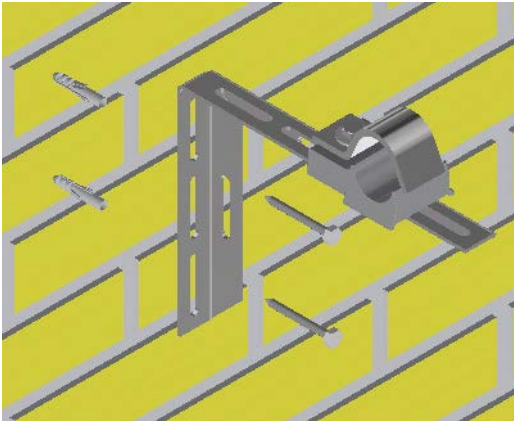


EL DIAGRAM

Connection hollow opening box

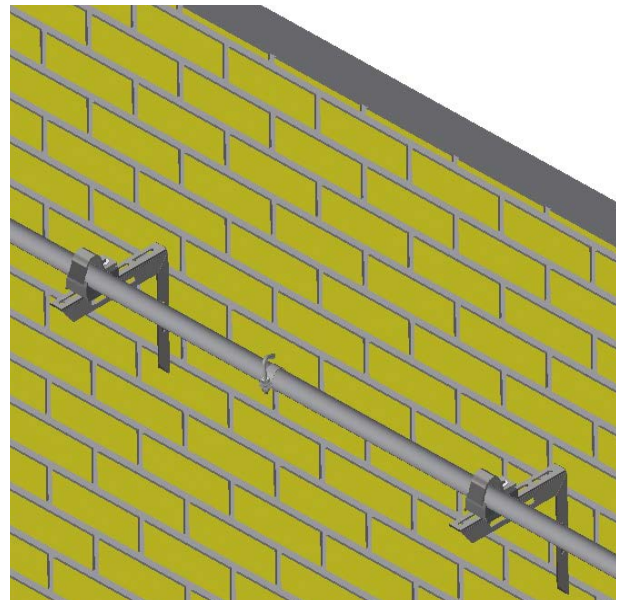
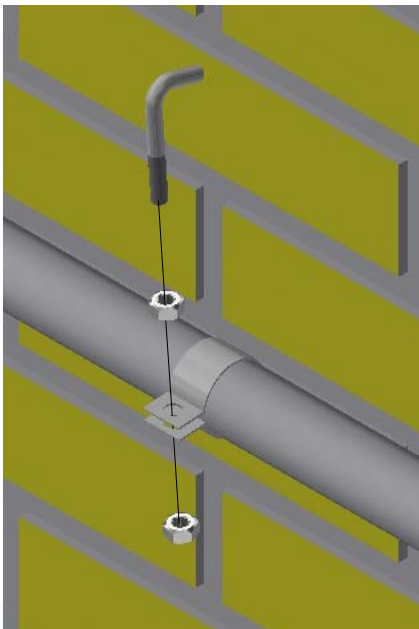
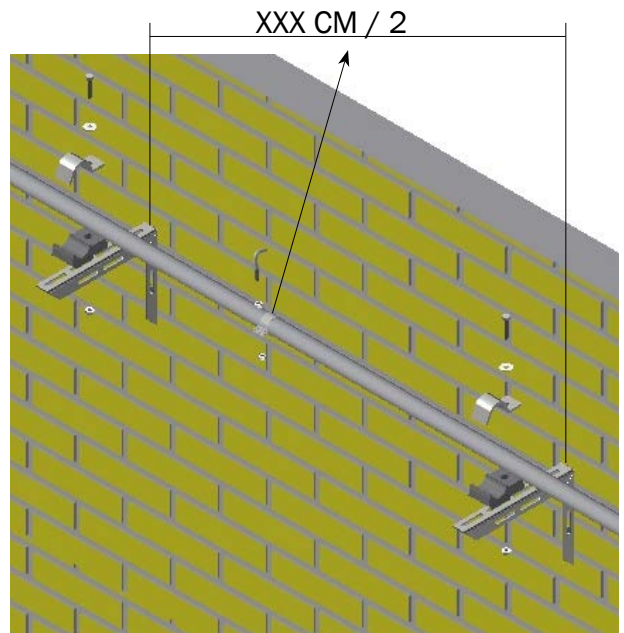
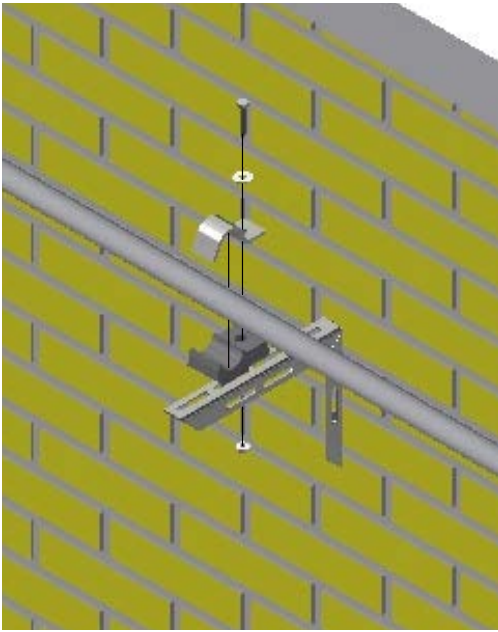


MOUNTING OF PIPE BEARING ON WALL

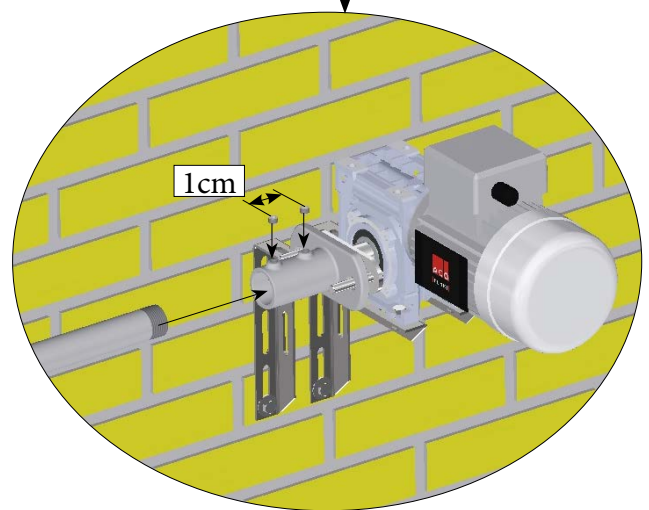
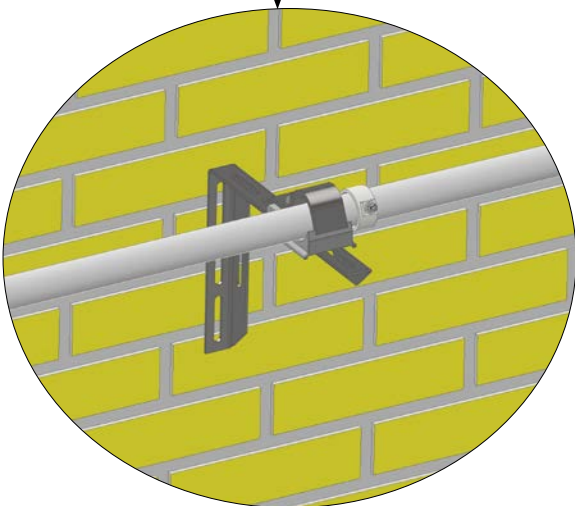
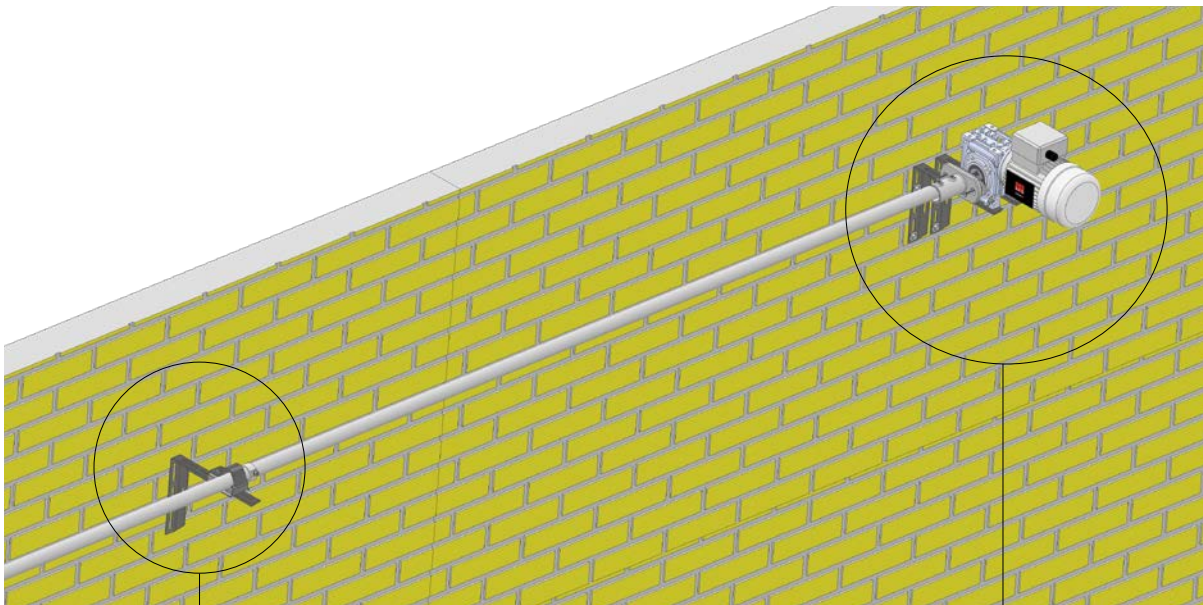
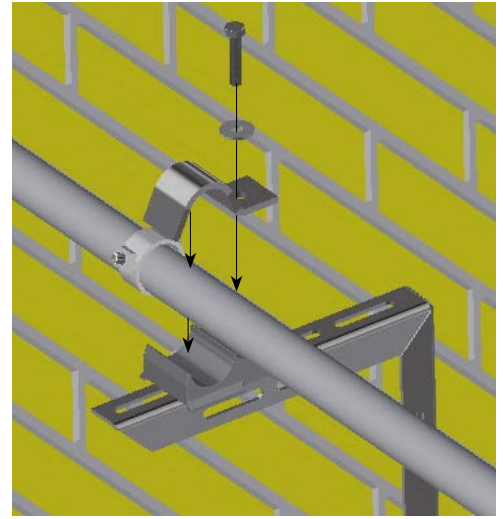
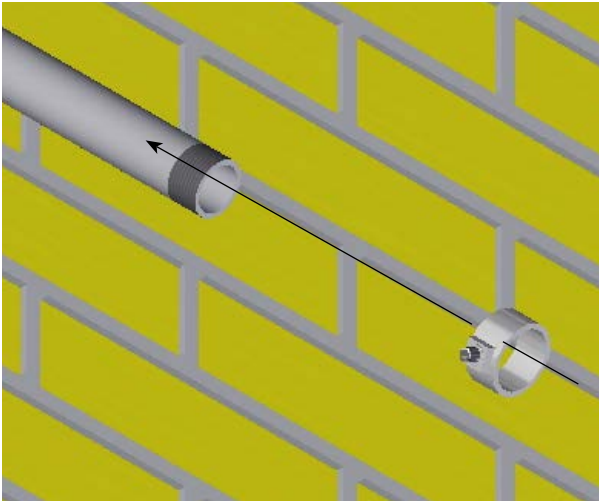


| PART LIST | | | |
|-----------|----------|---|------|
| NO. | ITEM NO. | DESCRIPTION | PCS. |
| | 0146-440 | MOUNTING KIT FOR PIPE HANGER, WALL MOUNTING | |
| 1 | 34906060 | COACH SCREW M6X60 A2 DIN 571 | 2 |
| 2 | 39900000 | WALL PLUG 8X40MM | 2 |

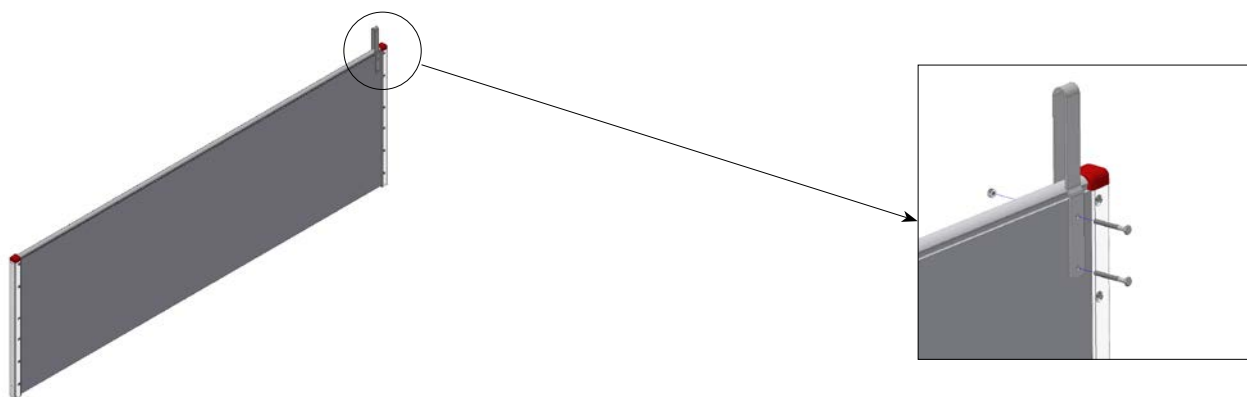
MOUNTING OF PIPES AND PIPE HANGER



MOUNTING OF GEAR MOTOR AND LOCKING RING FOR PIPE

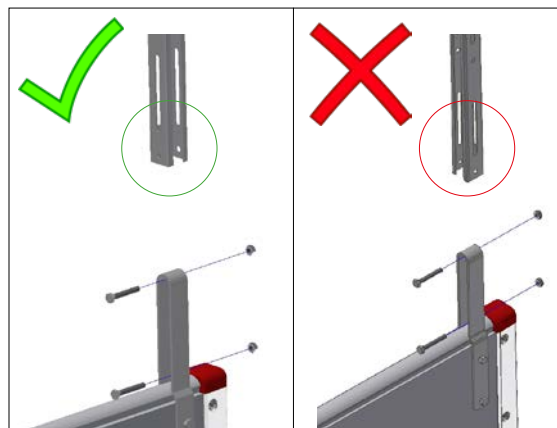
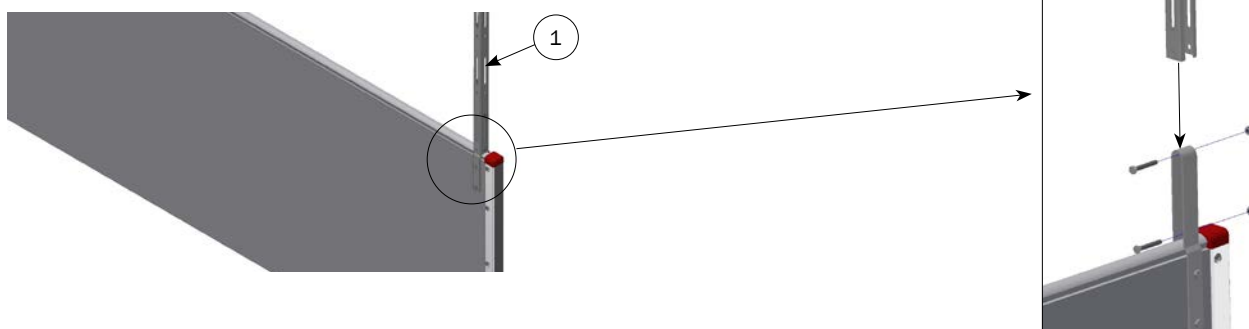


MOUNTING OF FORK FOR C-SHAPED TUBE SUPPORT



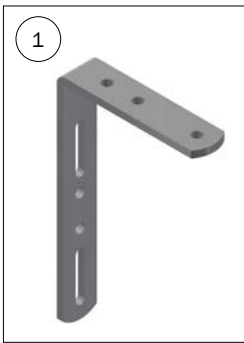
| PART LIST | | | |
|-----------|----------|--|------|
| NO. | ITEM NO. | DESCRIPTION | PCS. |
| | 0146-301 | FORK (35-40 MM) FOR TUBE SUPPORT, COMPLETE | |
| 1 | 0146-299 | FORK FOR TUBE SUPPORT | 1 |
| 2 | 30206040 | SET SCREW M6X40 FZB DIN 933 | 1 |
| 3 | 30306050 | SET SCREW M6X50 A2 DIN 933 | 2 |
| 4 | 33206010 | NUT M6 FZB DIN 934 | 3 |

MOUNTING OF C-SHAPED TUBE SUPPORT



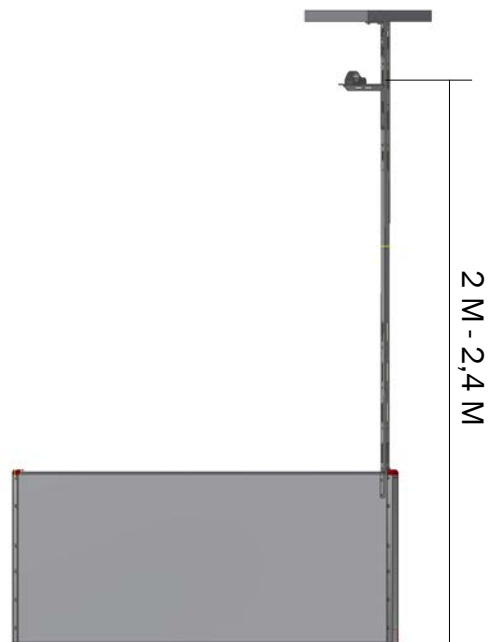
| PART LIST | | |
|-----------|----------|---------------------------|
| NO. | ITEM NO. | DESCRIPTION |
| 1 | 0146-291 | TUBE SUPPORT C-SHAPED 2 M |

MOUNTING OF PIPE HANGER 5/10 CM



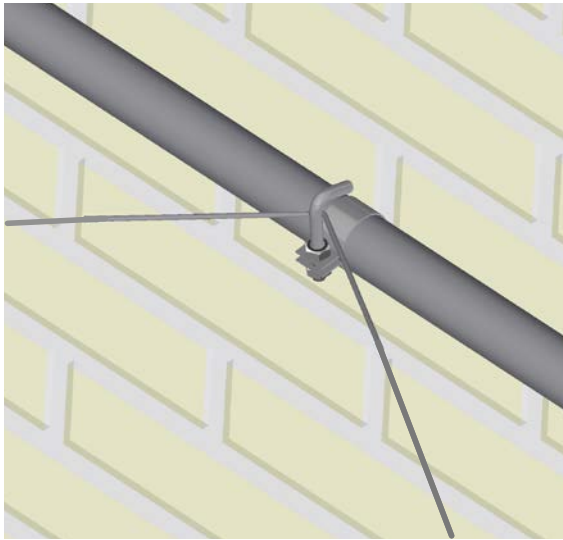
| PART LIST | | |
|-----------|----------|---------------------|
| NO. | ITEM NO. | DESCRIPTION |
| 1 | 7020010 | PIPE HANGER 5/10 CM |

MOUNTING OF PIPE HANGER



MOUNTING OF PIPE, LOOK AT PAGE 8.

MOUNTING OF NYLON STRING



COVER ADJUSTMENT UP AND DOWN

RAISE

Mounted in the hallway

SINK

